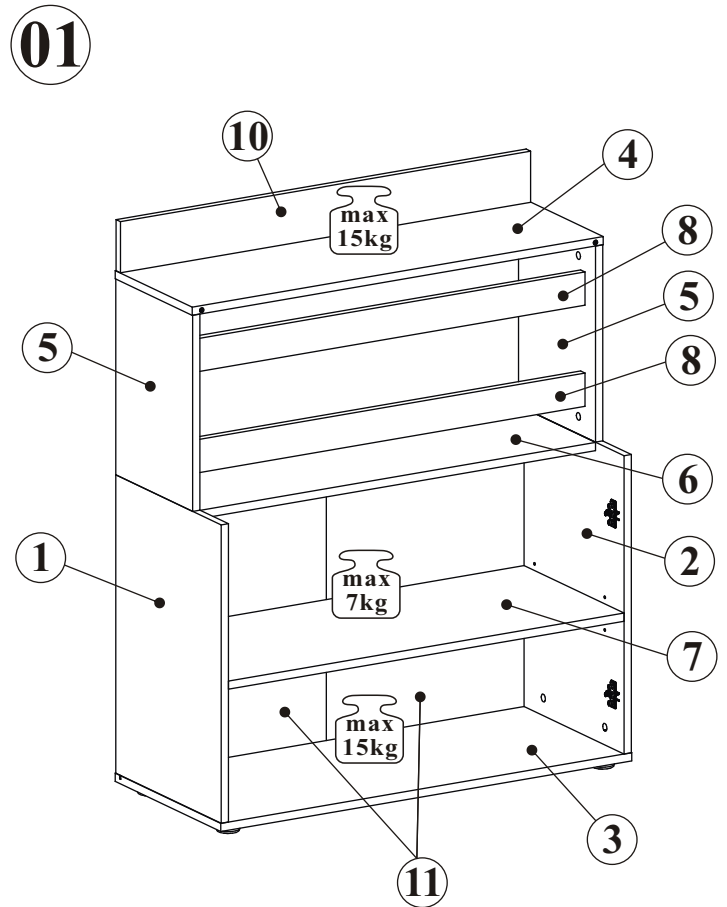
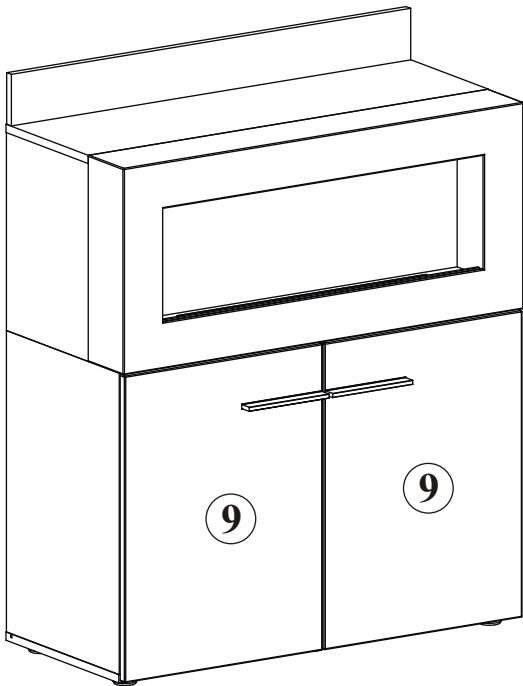
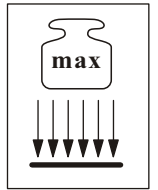
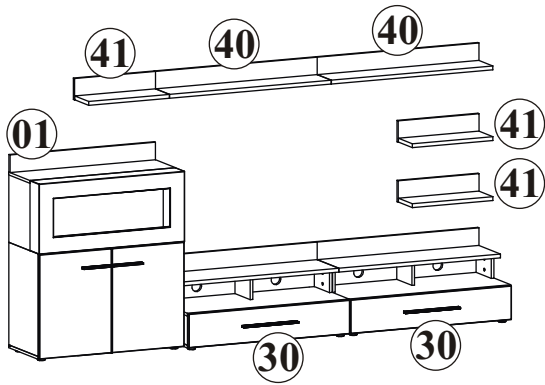
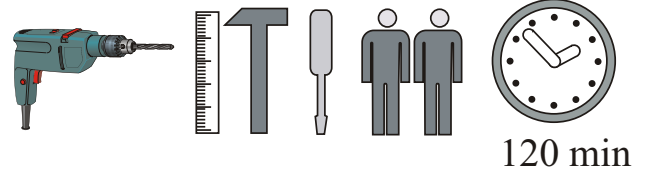


# CAMINO TYP 01

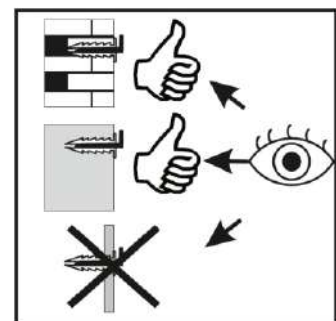
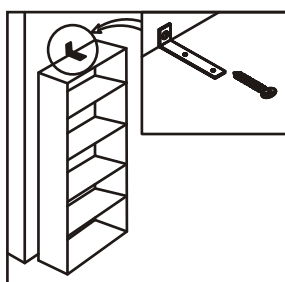
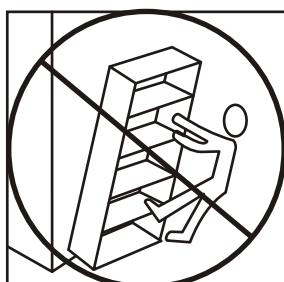
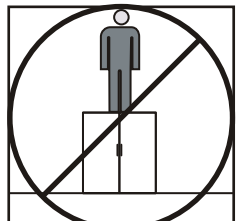
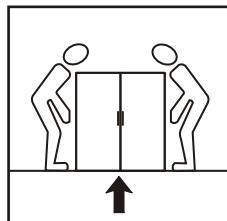
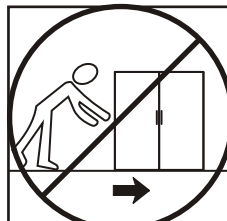
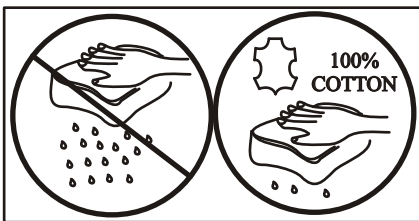
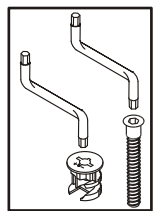
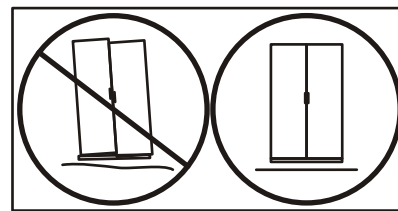
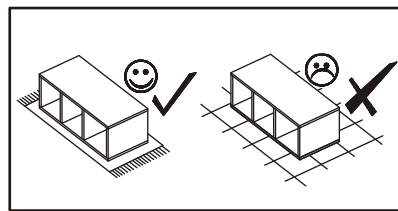
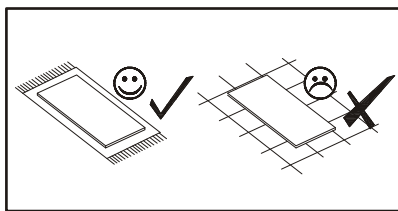
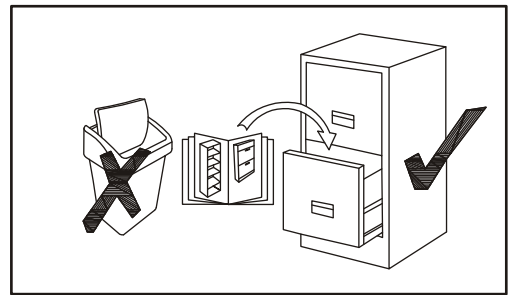
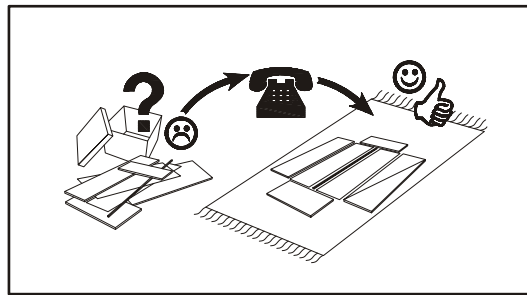
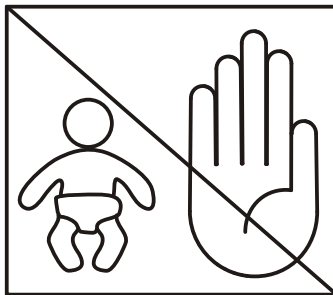
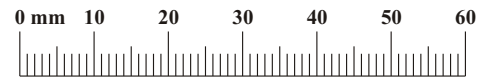


NO	Dim.		Col.-No	Qty
1	584	384	1	1
2	584	384	1	1
3	900	384	1	1
4	900	280	1	1
5	384	280	1	2
6	866	280	1	1
7	866	364	1	1
8	866	65	1	2
9	445	594	1	2
10	898	100	1	1
11	579	439	1	2



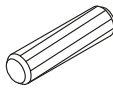
# CAMINO TYP 01

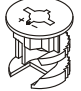
A1 x24 Ø8x36	B5 x23 Ø15x12	B4 x23	G5 x23	G7 x4	S1 x10
E21 x4 Ø35 H=0	E2 x4 H=0	D10 x12 USØ3,5x13	BG1 x2 L-160mm.	UP6 x6 UPØ4x30	Z2 x4 Ø5
I11 x5 Ø45, h=15	D11 x5 USØ3,5x25	PI x1	UP13 x2 UPØ3x16	KR1 x2	L1 x2
G2 x1					

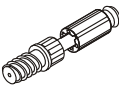


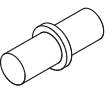
CAMINO TYP 01

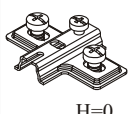
1

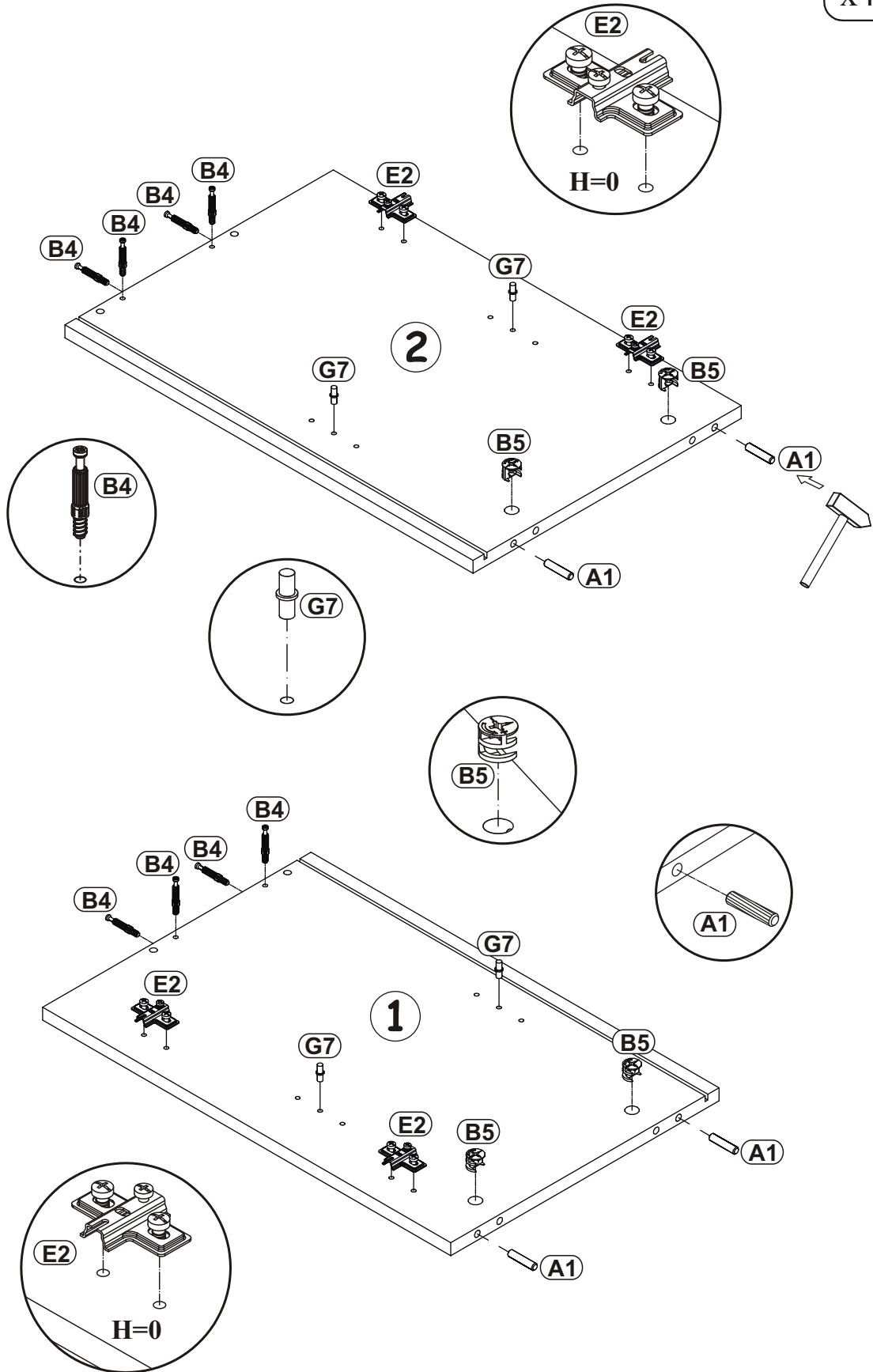
A1	
x4	Ø8x36

B5	
x4	Ø15x12


B4	
x8	

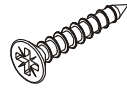
G7	
x4	

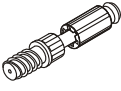
E2	
x4	H=0



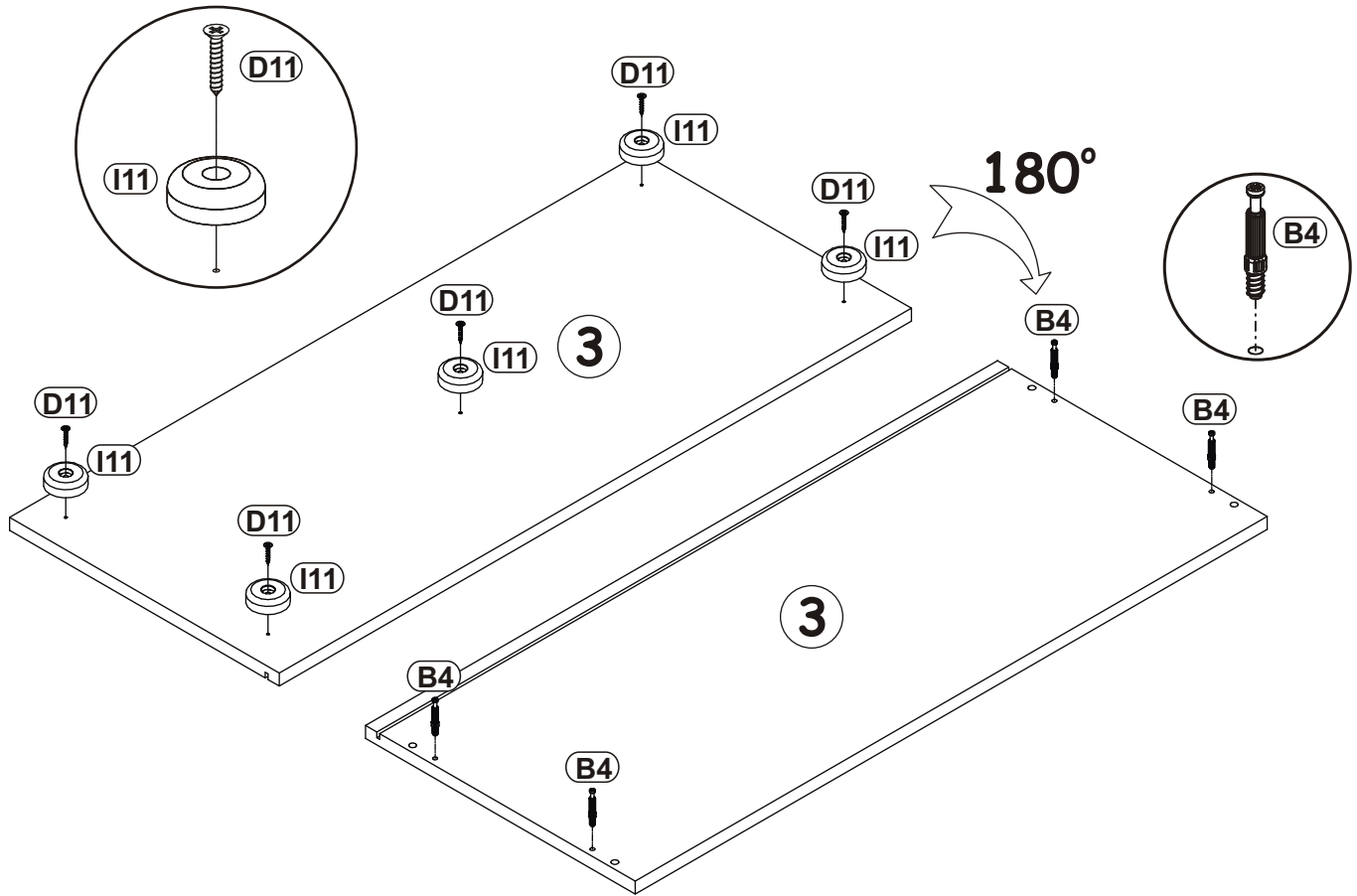
CAMINO TYP 01

I11	
x5	Ø45, h=15

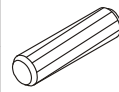
D11	
x5	USØ3,5x25

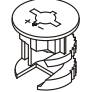
B4	
x4	

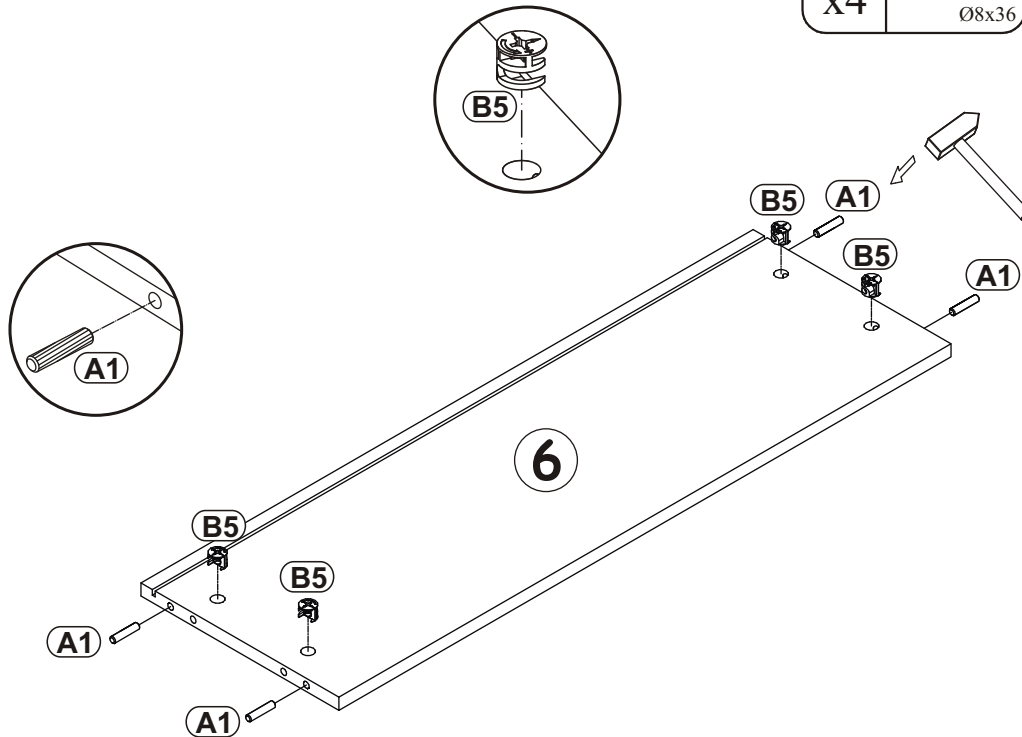
2



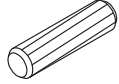

3

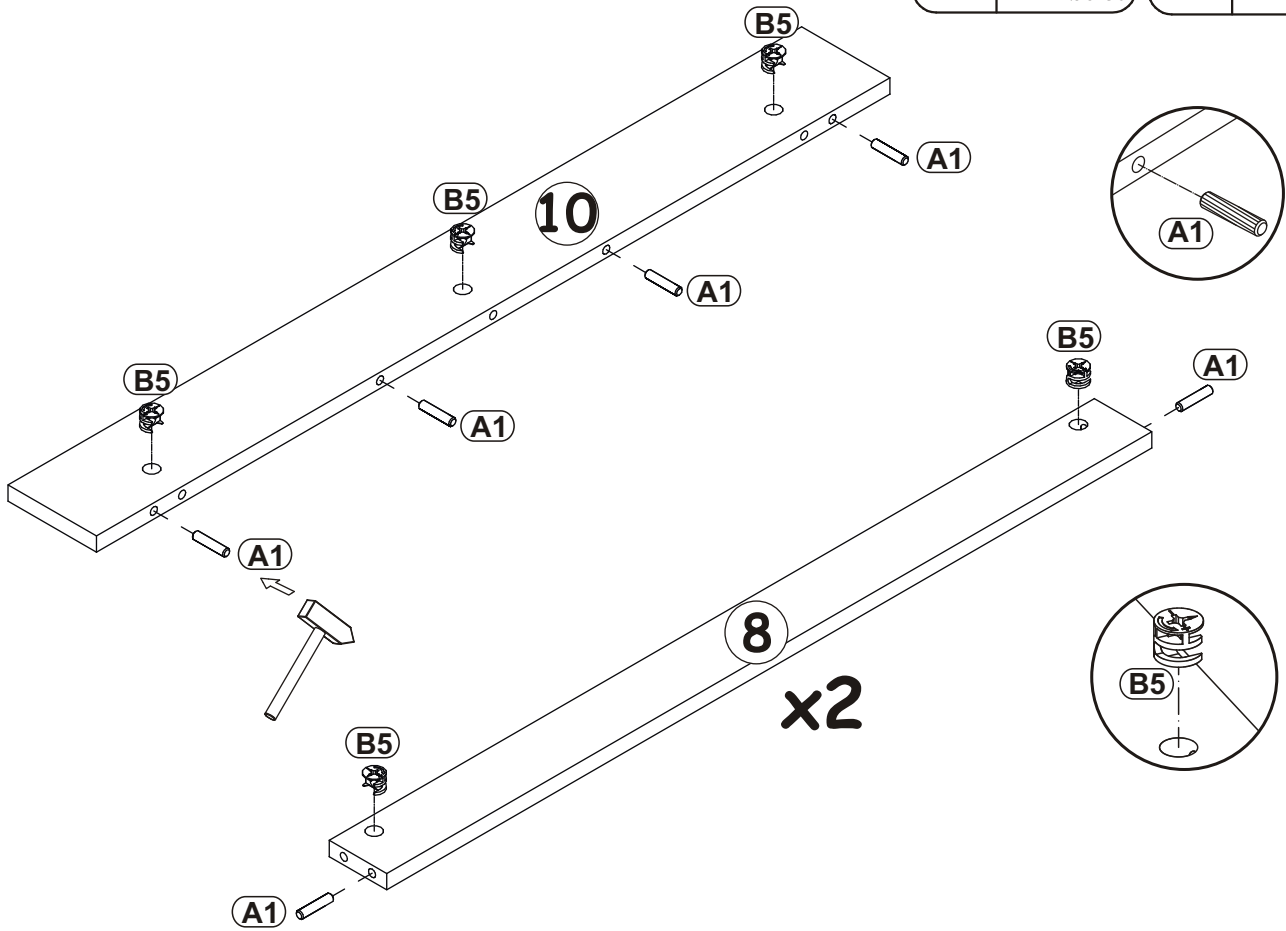
A1	
x4	Ø8x36

B5	
x4	Ø15x12

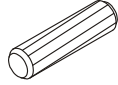

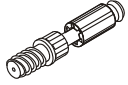


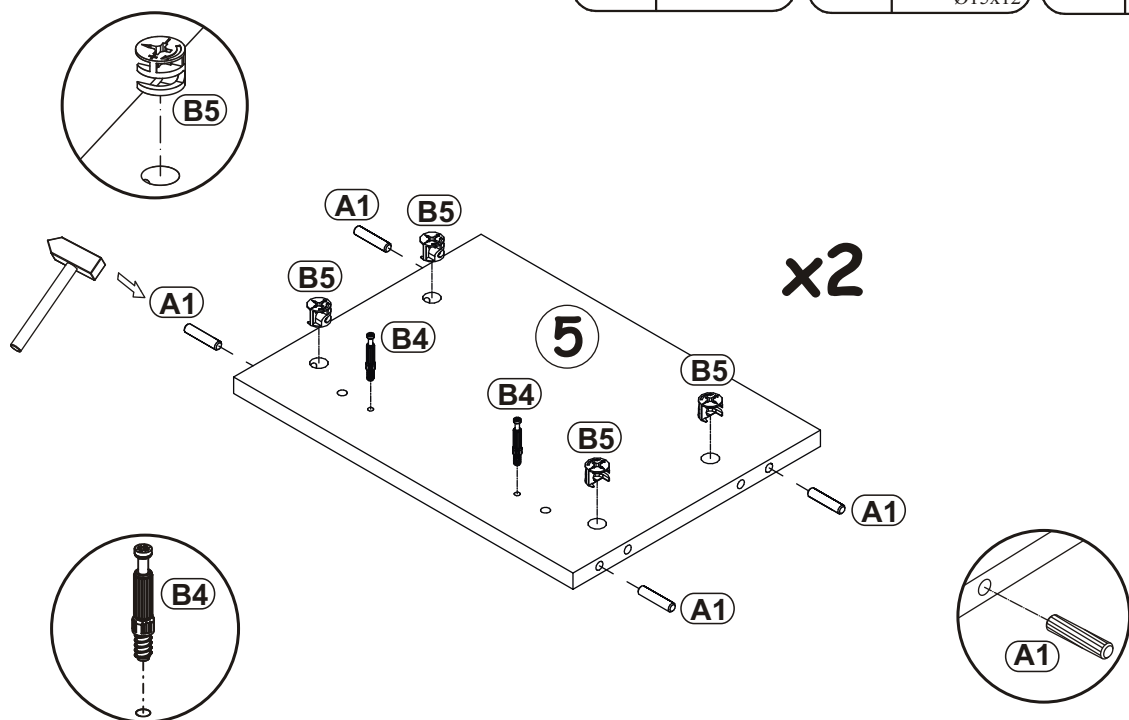
4

A1		B5	
x8	Ø8x36	x7	Ø15x12

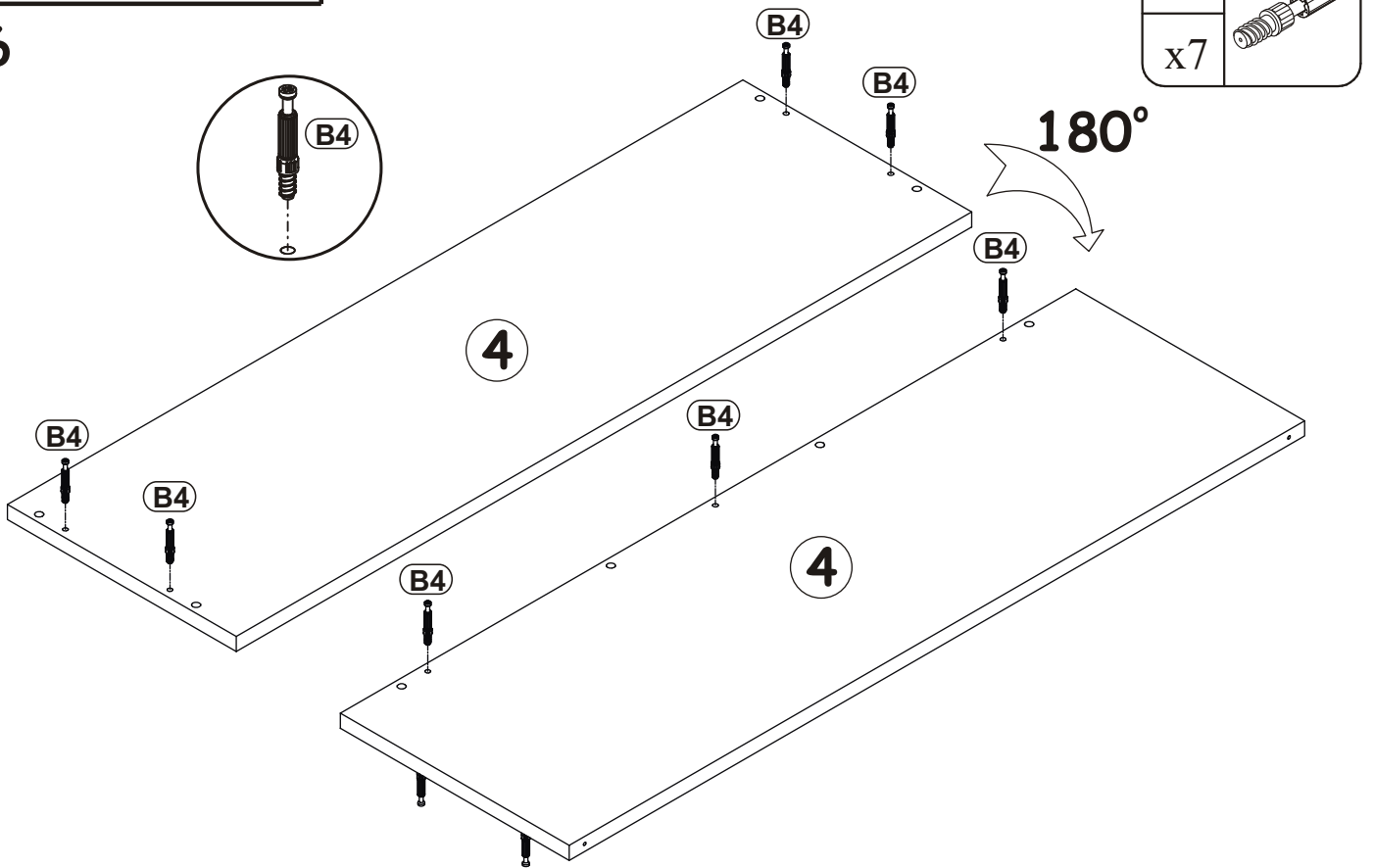


4

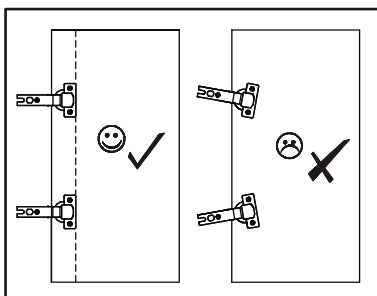
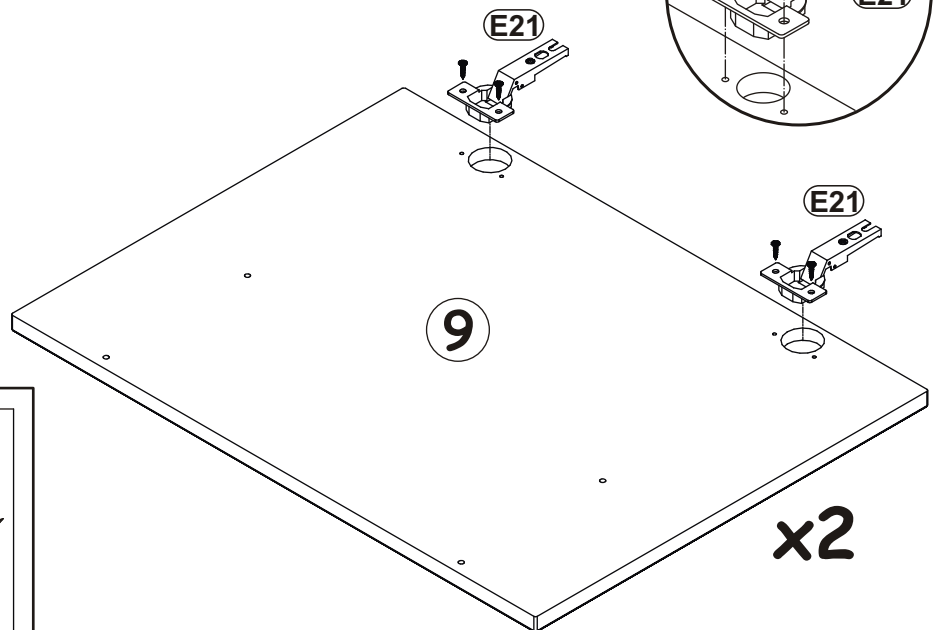
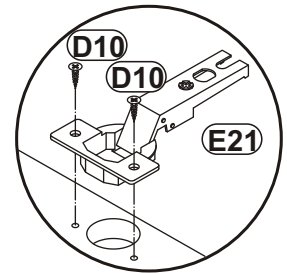
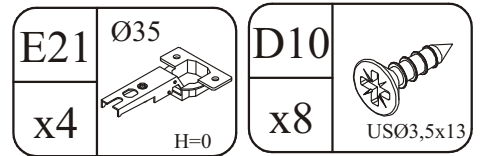
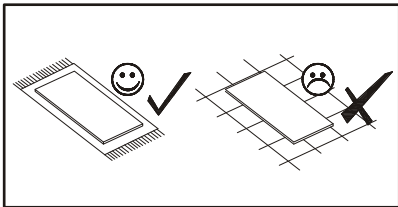
A1		B5		B4	
x8	Ø8x36	x8	Ø15x12	x4	



6




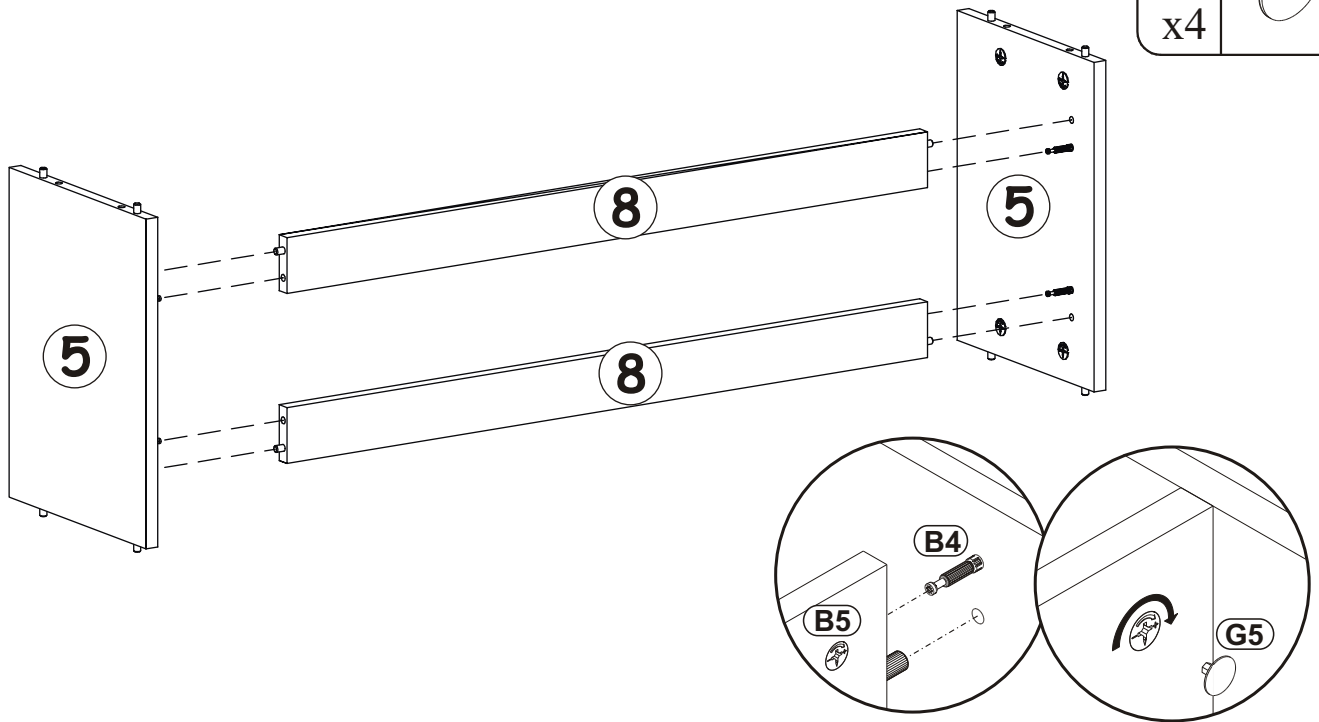
7




CAMINO TYP 01


8

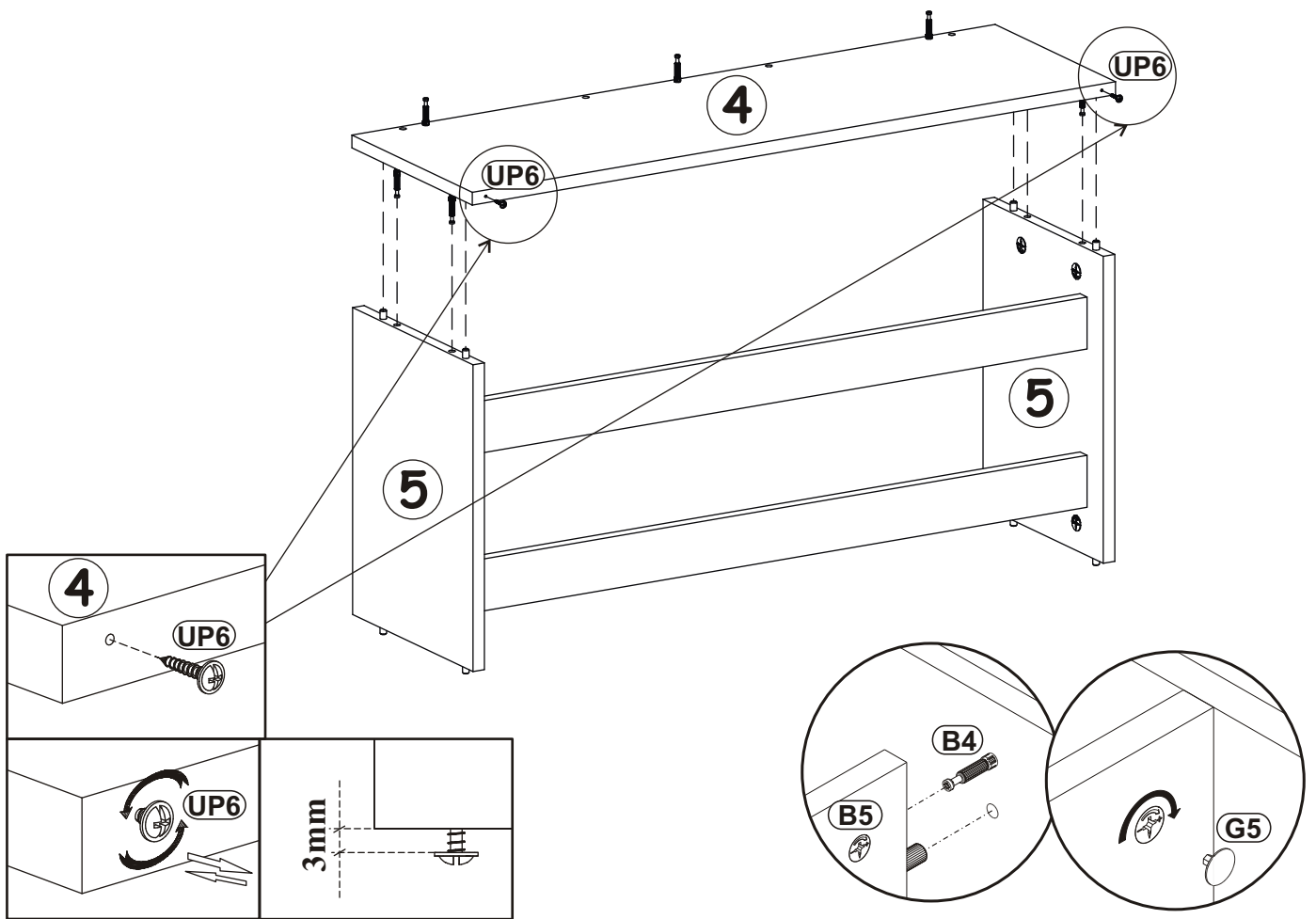
G5	
x4	



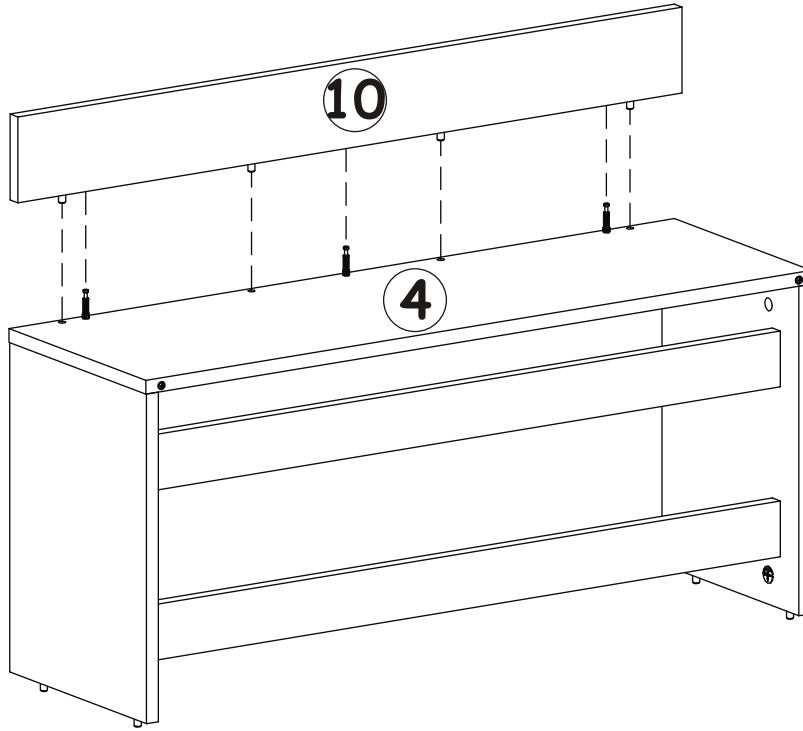
9


G5	
x4	

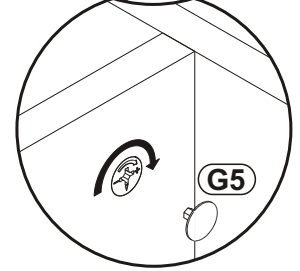
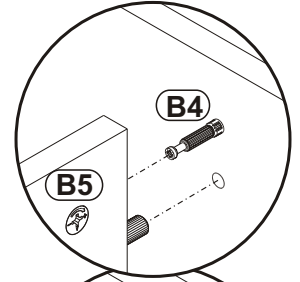
UP6	
x2	UPØ4x30




10

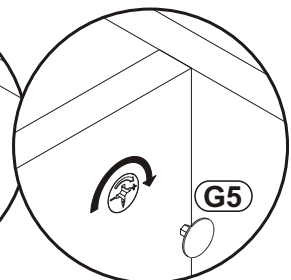
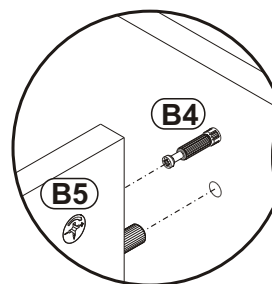
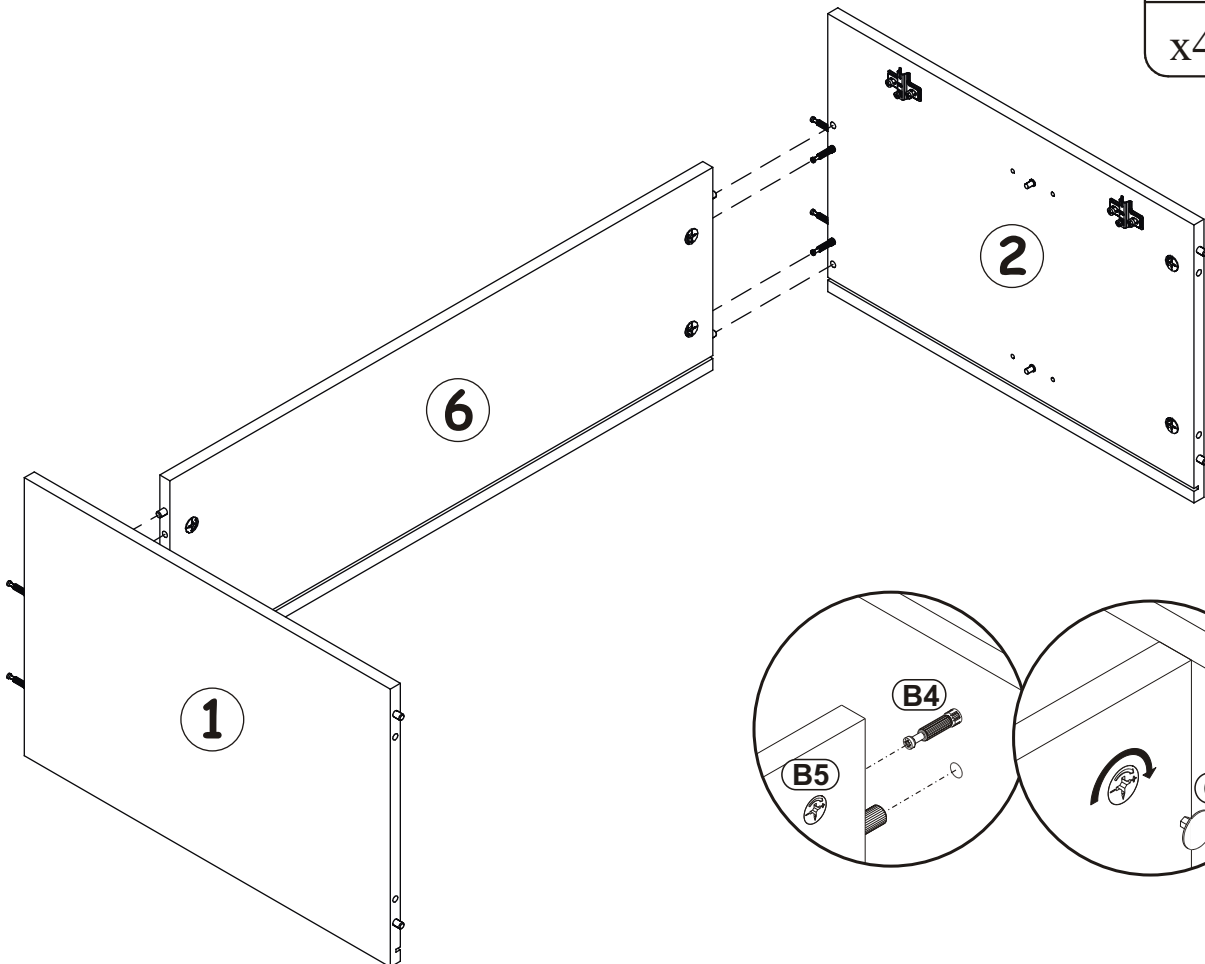


G5	
x3	




11

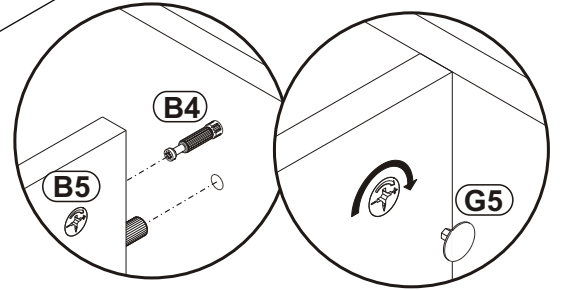
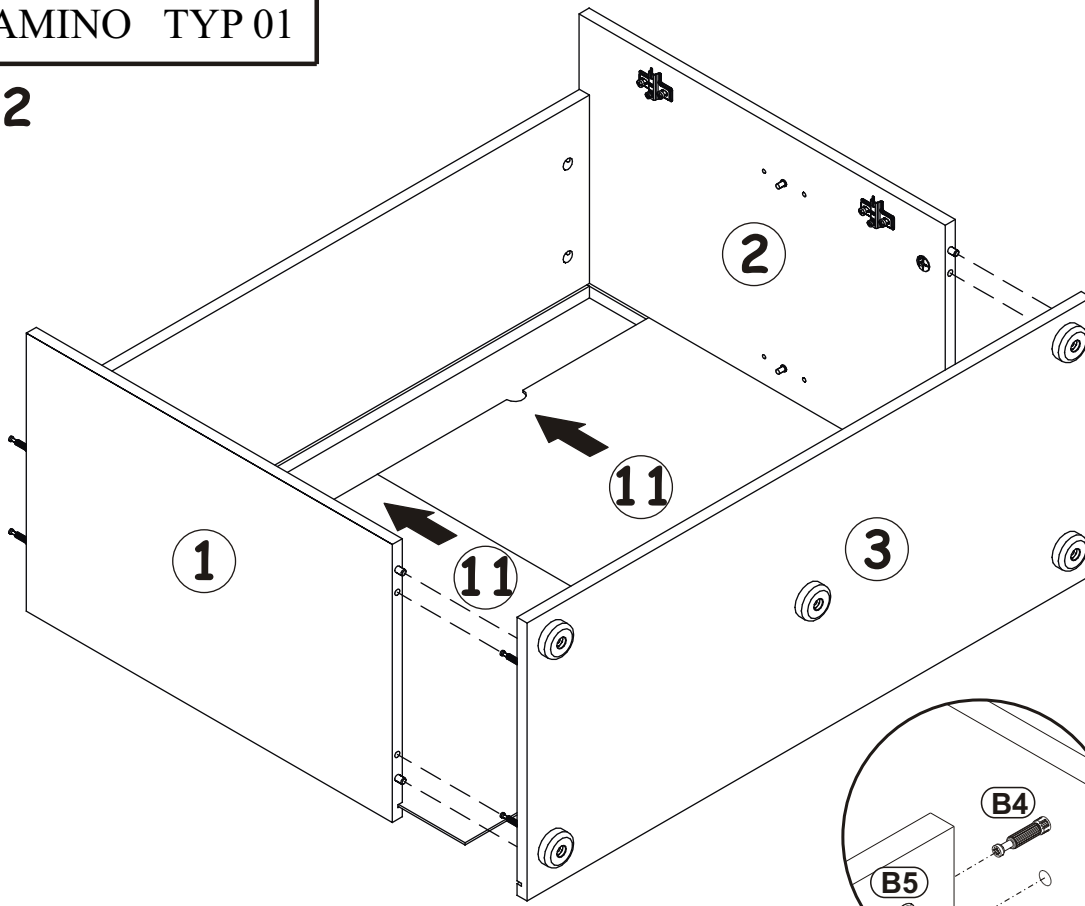
G5	
x4	





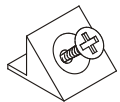
12

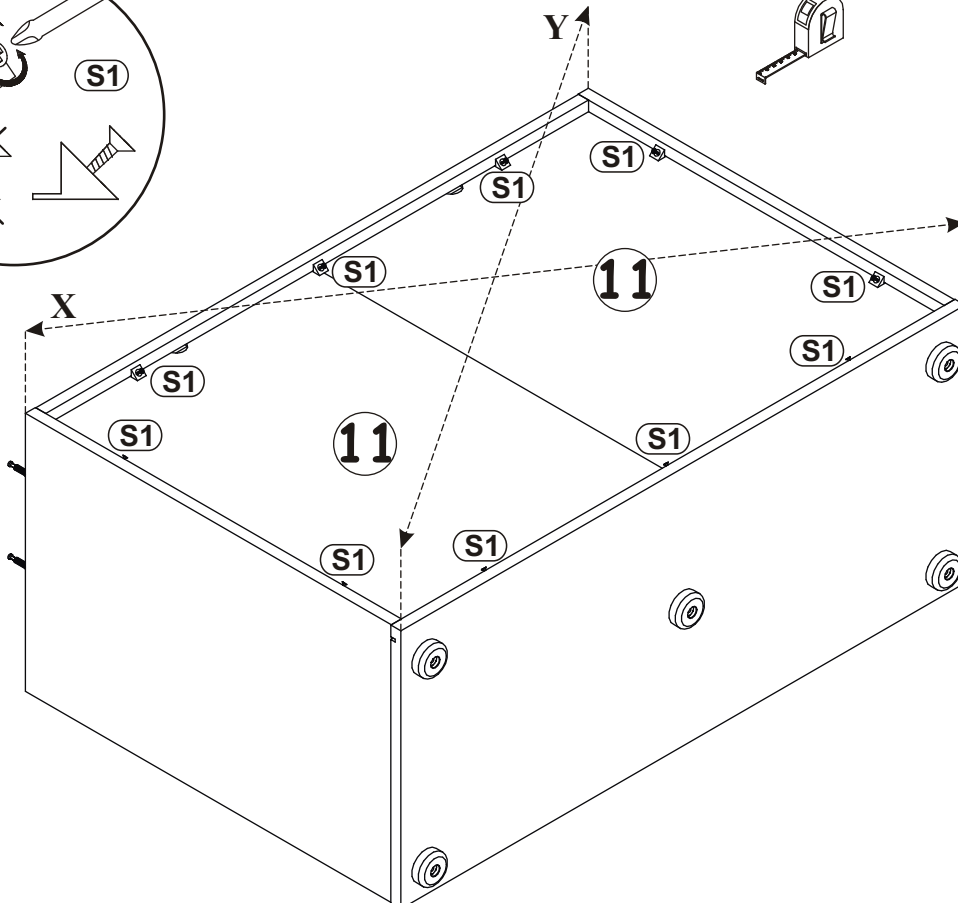
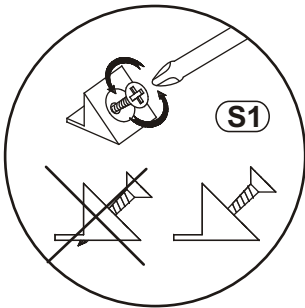
G5	
x4	



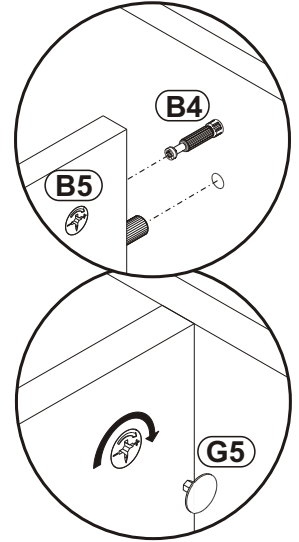
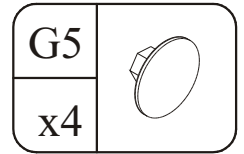
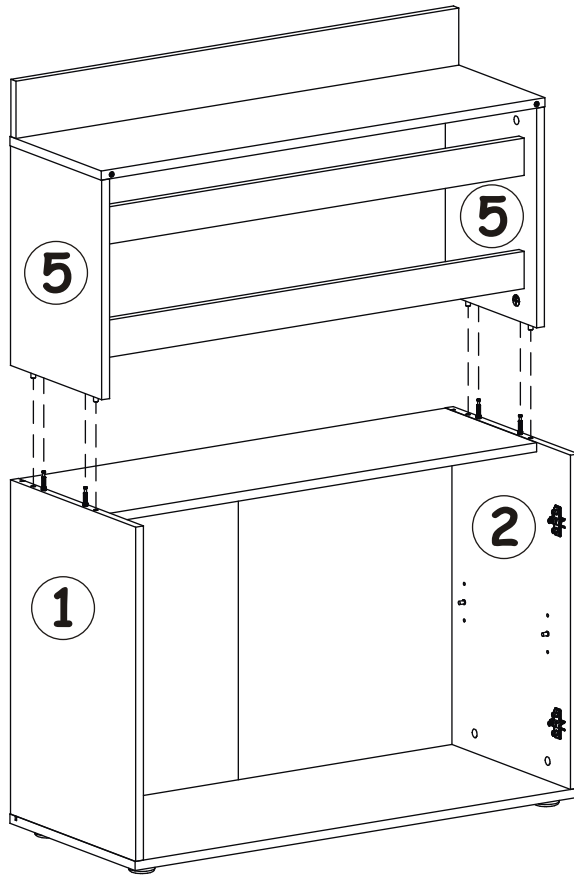
13

$X=Y$   $90^\circ$

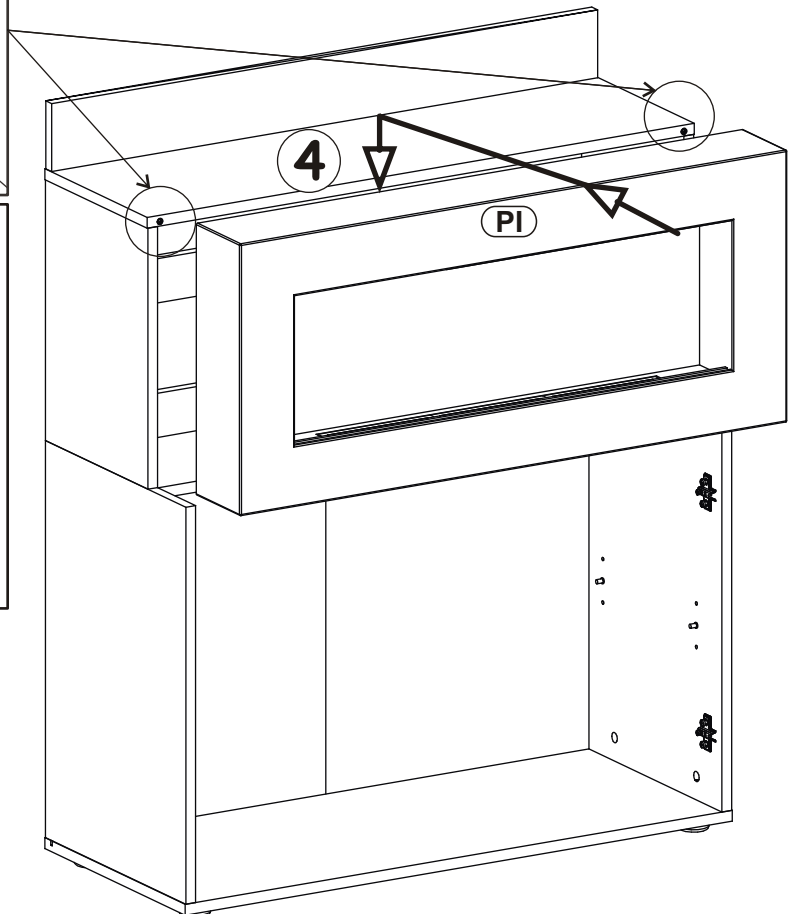
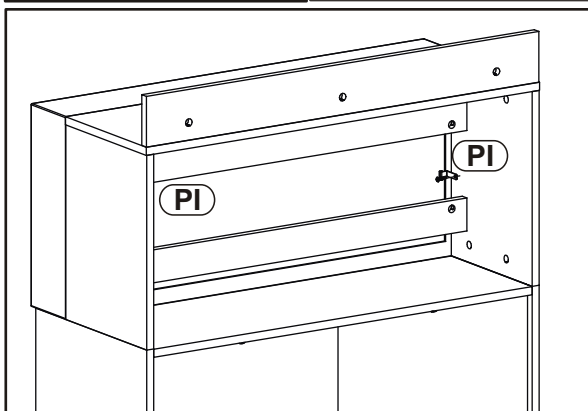
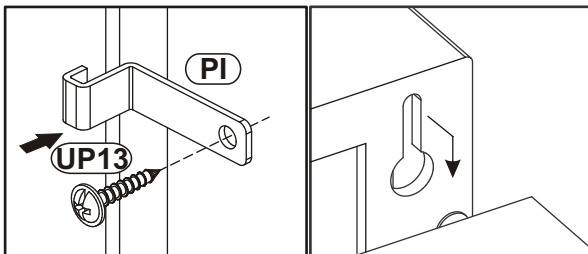
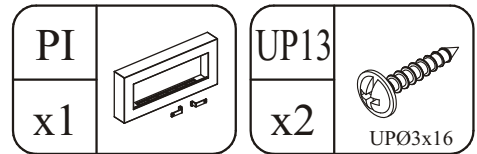
S1	
x10	



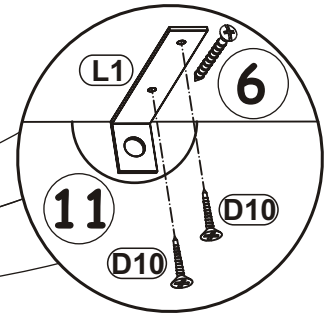
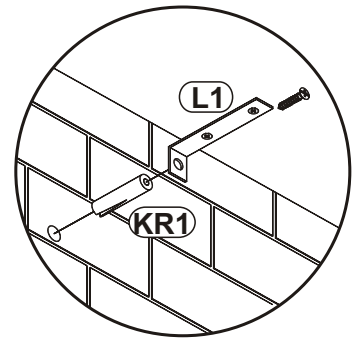
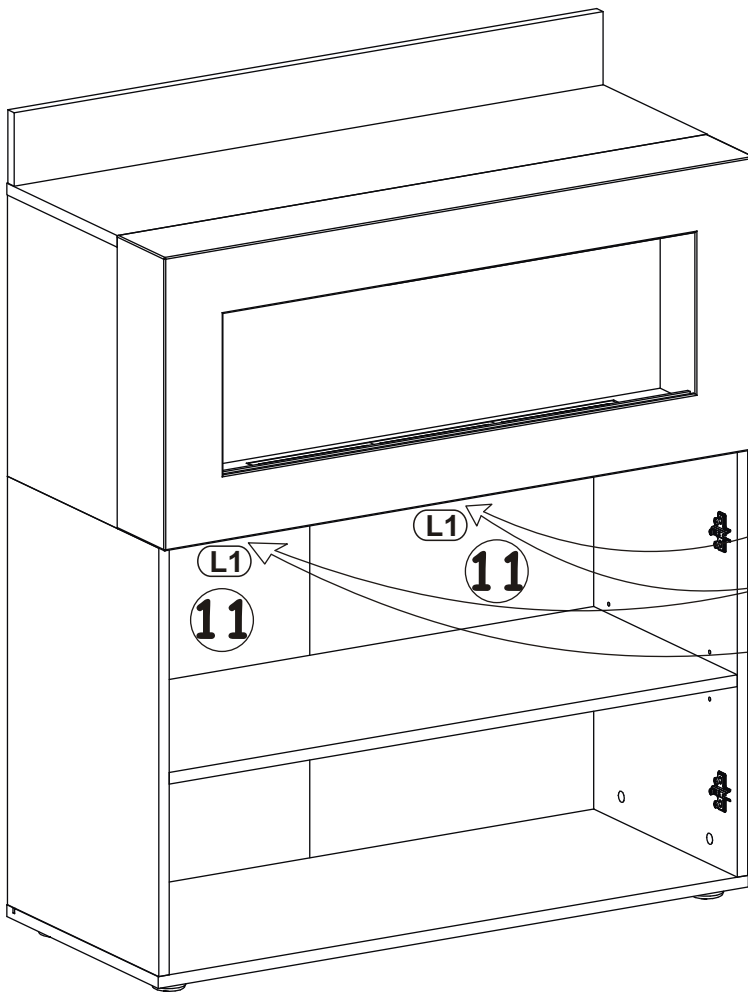
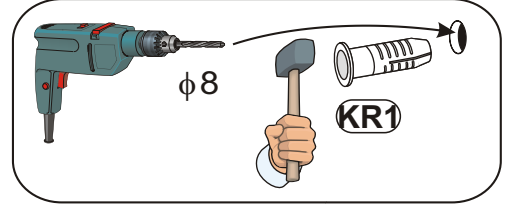
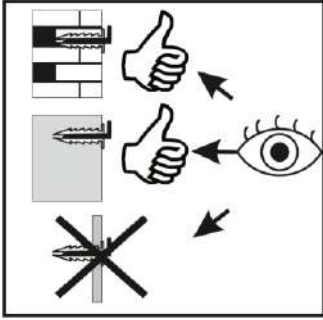
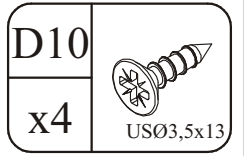
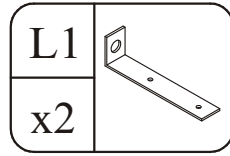
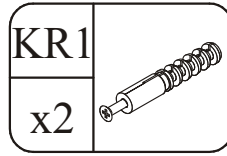
14



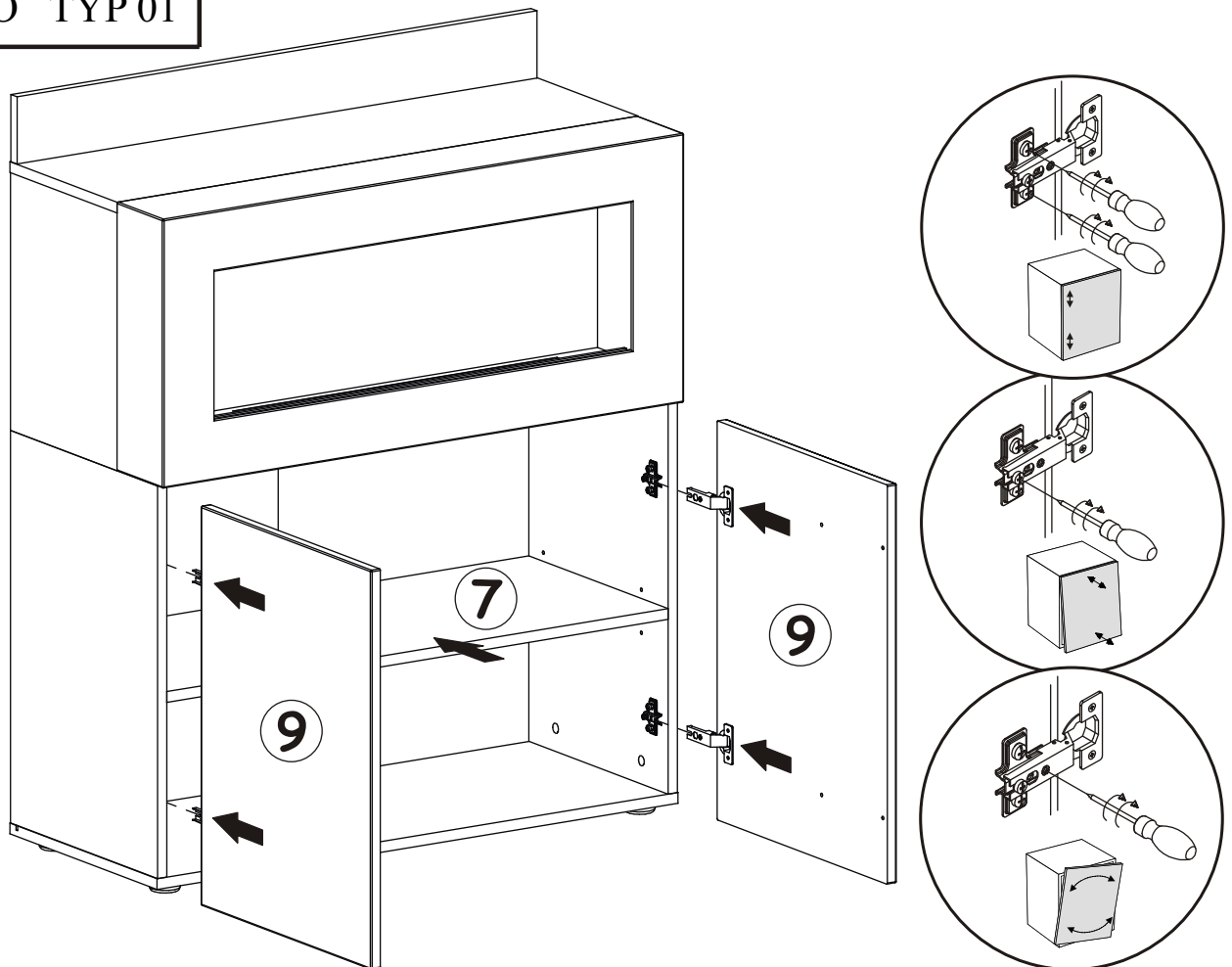
15



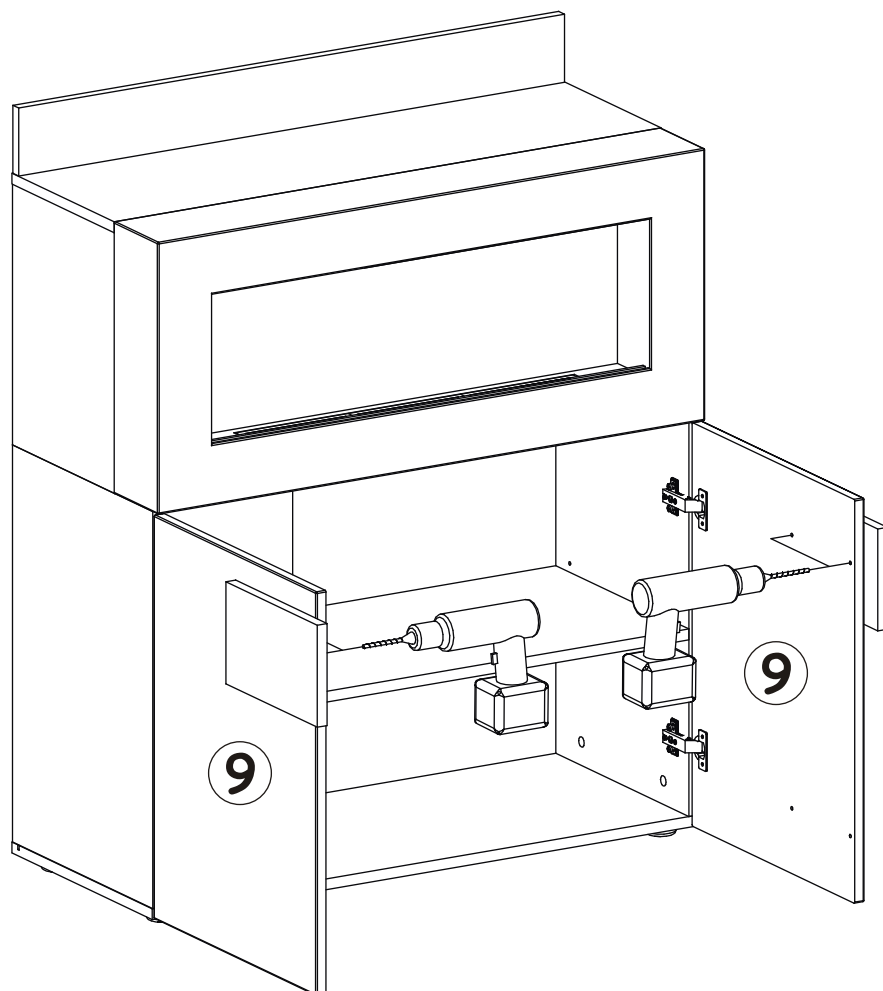
16



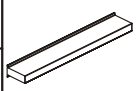
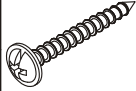


17



18



19

BG1		UP6	
x2	L-160mm.	x4	UPØ4x30
Z2			Ø5
x4			

