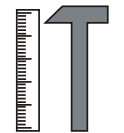
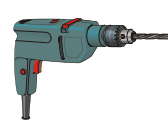
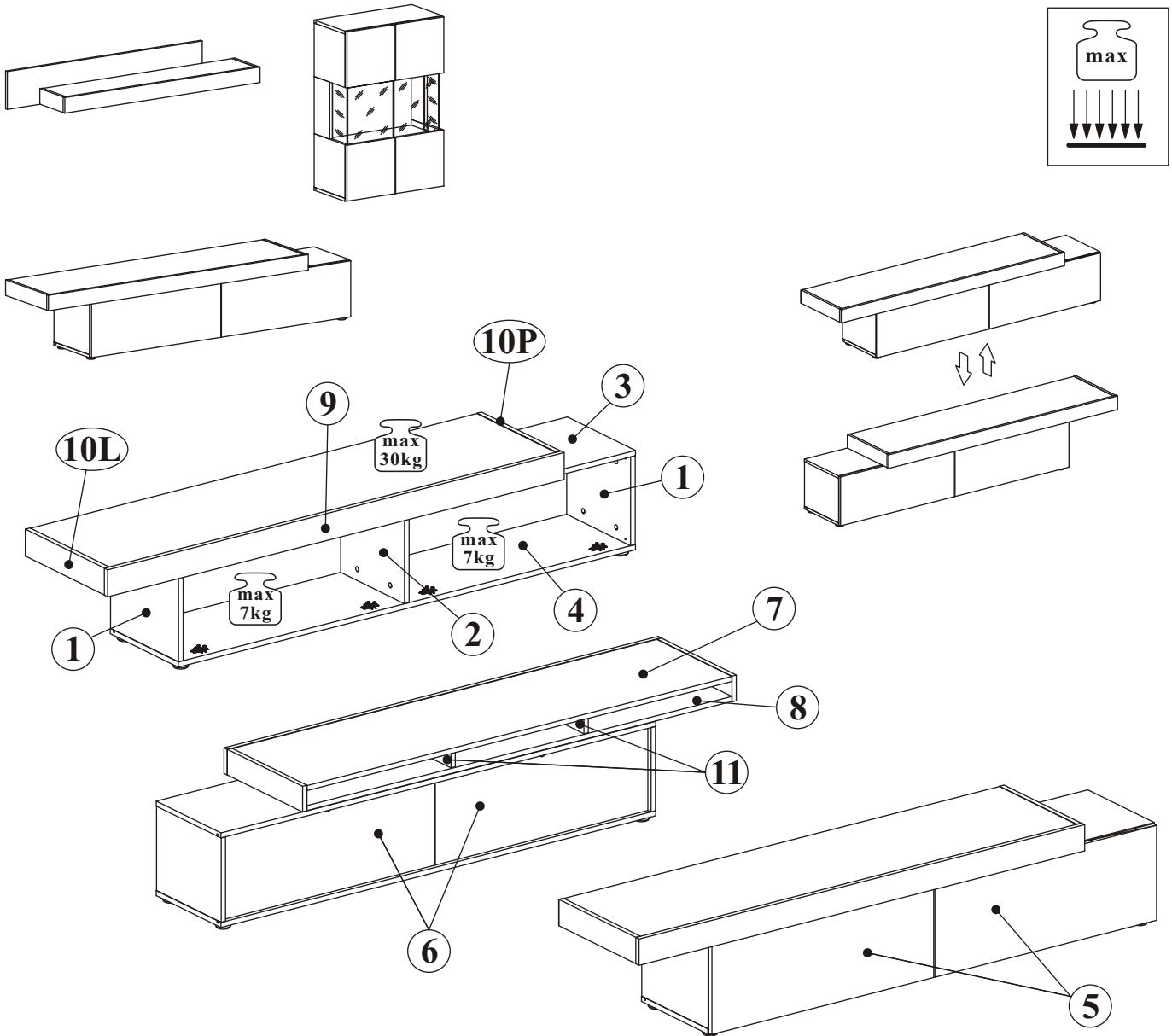


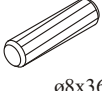
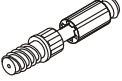



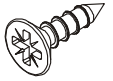
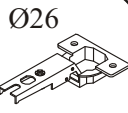
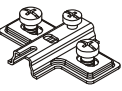
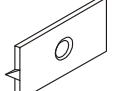


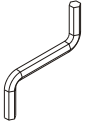

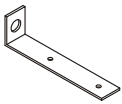

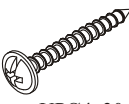


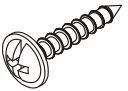
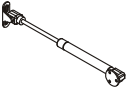
CONCRET 20_CR TYP 30

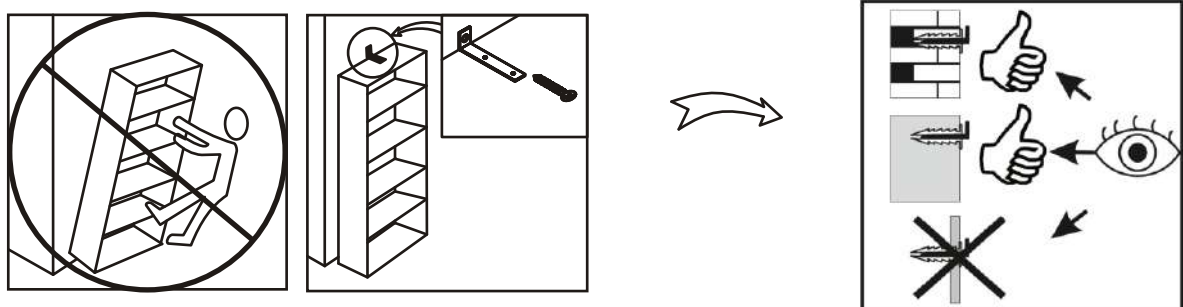
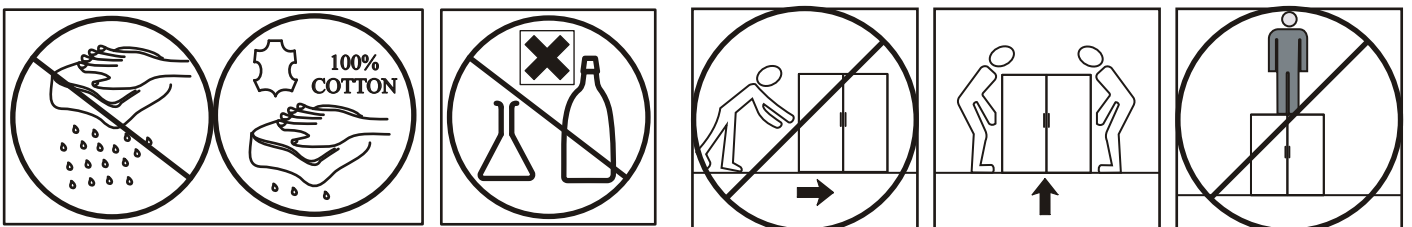
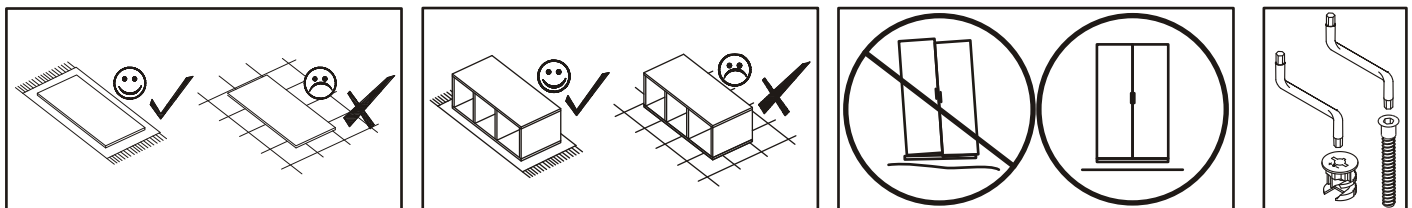
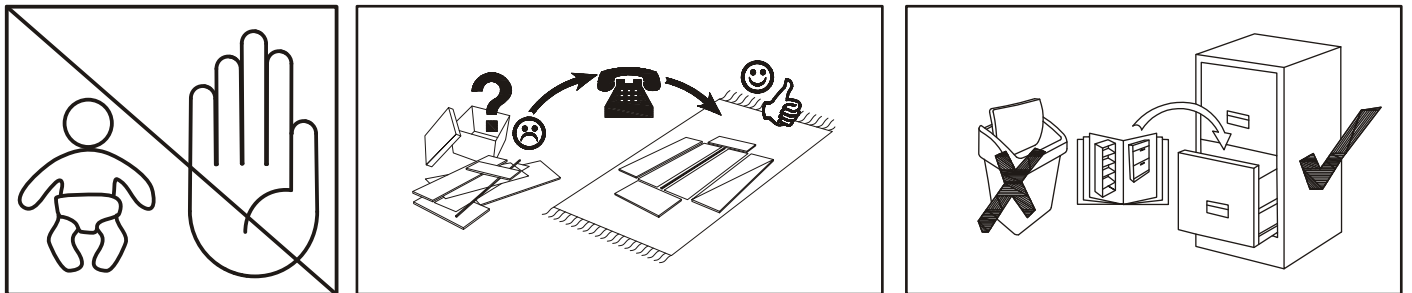
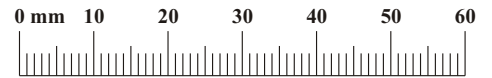


90 min

NO	Dim.			Col.-No	Qty
1	270	330	16	2	2
2	270	310	16	2	1
5	796	296	16	2	2
6	789	282	3	2	2
3	1602	330	16	1	1
4	1602	330	16	1	1
7	1566	384	16	1	1
8	1566	384	16	1	1
9	1600	82	16	1	1
10L	384	82	16	1	1
10P	384	82	16	1	1
11	374	48	16	1	2

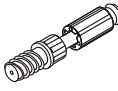
CONCRET 20_CR TYP 30

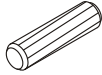
A1 x12  ø8x36	B4 x30 	B5 x30  ø15x12	G5 x30 	KR1 x2 	D10 x18  USØ3,5x13	
E1 x4  H=0	E2 x4  H=0	G16 x2 	UP13 x2  UPØ3x16	T1 x2 	G2 x1 	
I11 x5  Ø45, h=15	L1 x2 	S1 x12 	UP6 x8  UPØ4x30	B11 x4  Ø7x50	KM1 x2 	
UP11 x5  UPØ4x20	BO1 x2 					

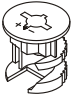


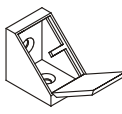
CONCRET 20_CR TYP 30


1

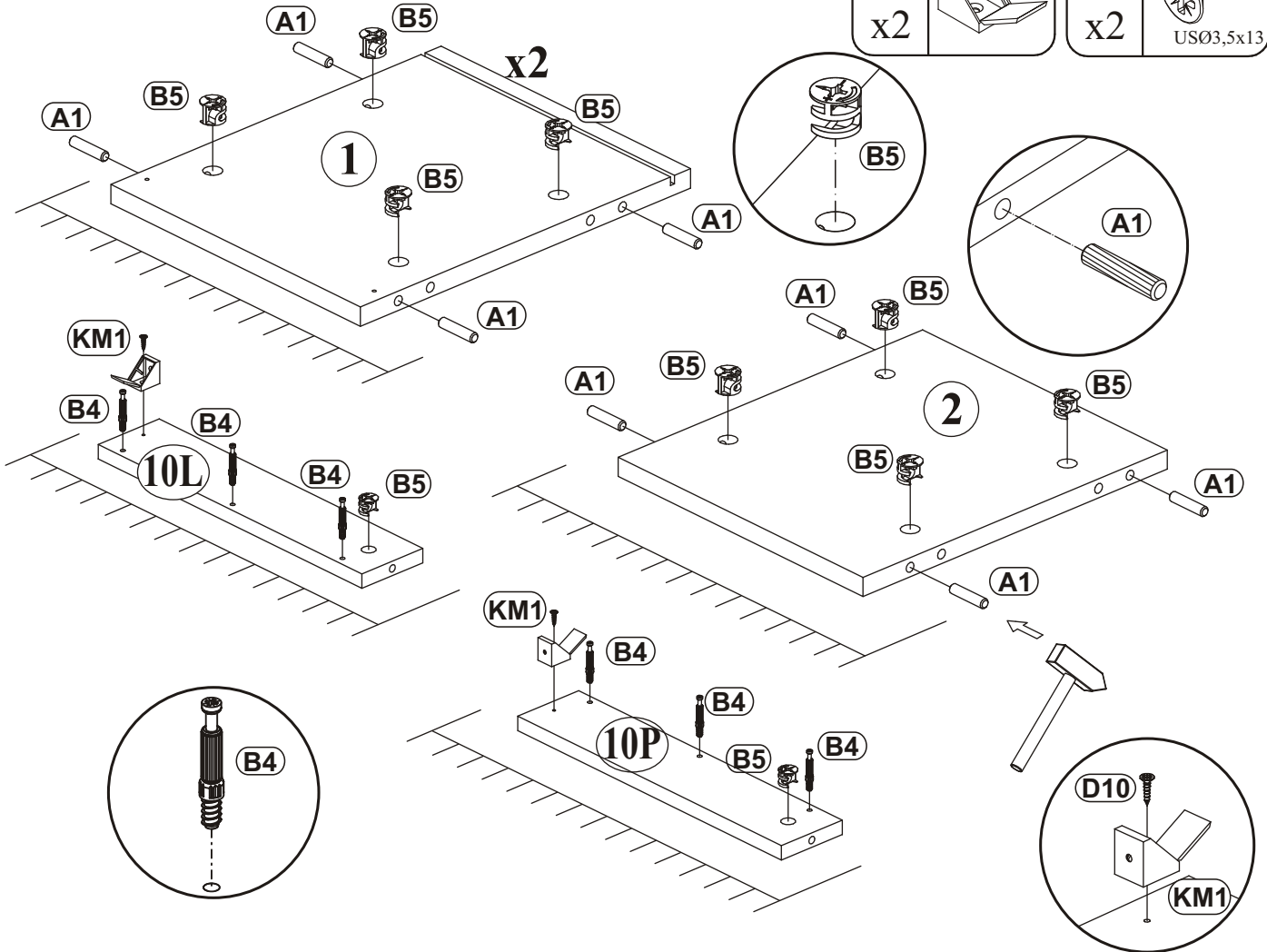
B4	
x6	

A1	
x12	ø8x36

B5	
x14	ø15x12


KM1	
x2	

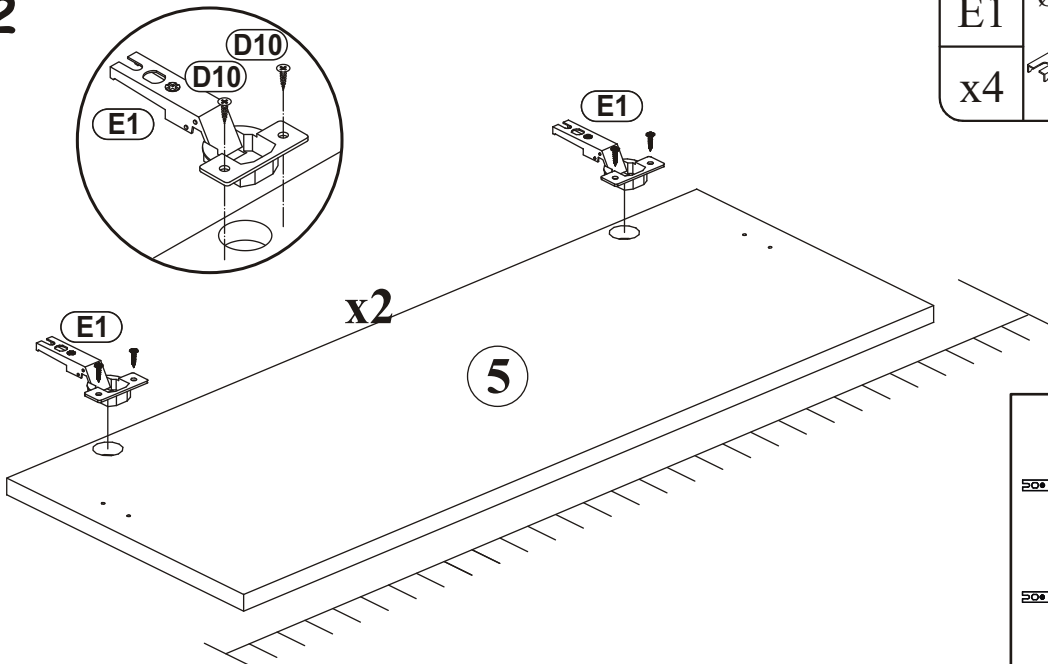
D10	
x2	US03,5x13



2

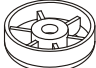
E1	Ø26
x4	H=0


D10	
x8	US03,5x13

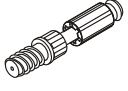


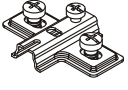
CONCRET 20_CR TYP 30

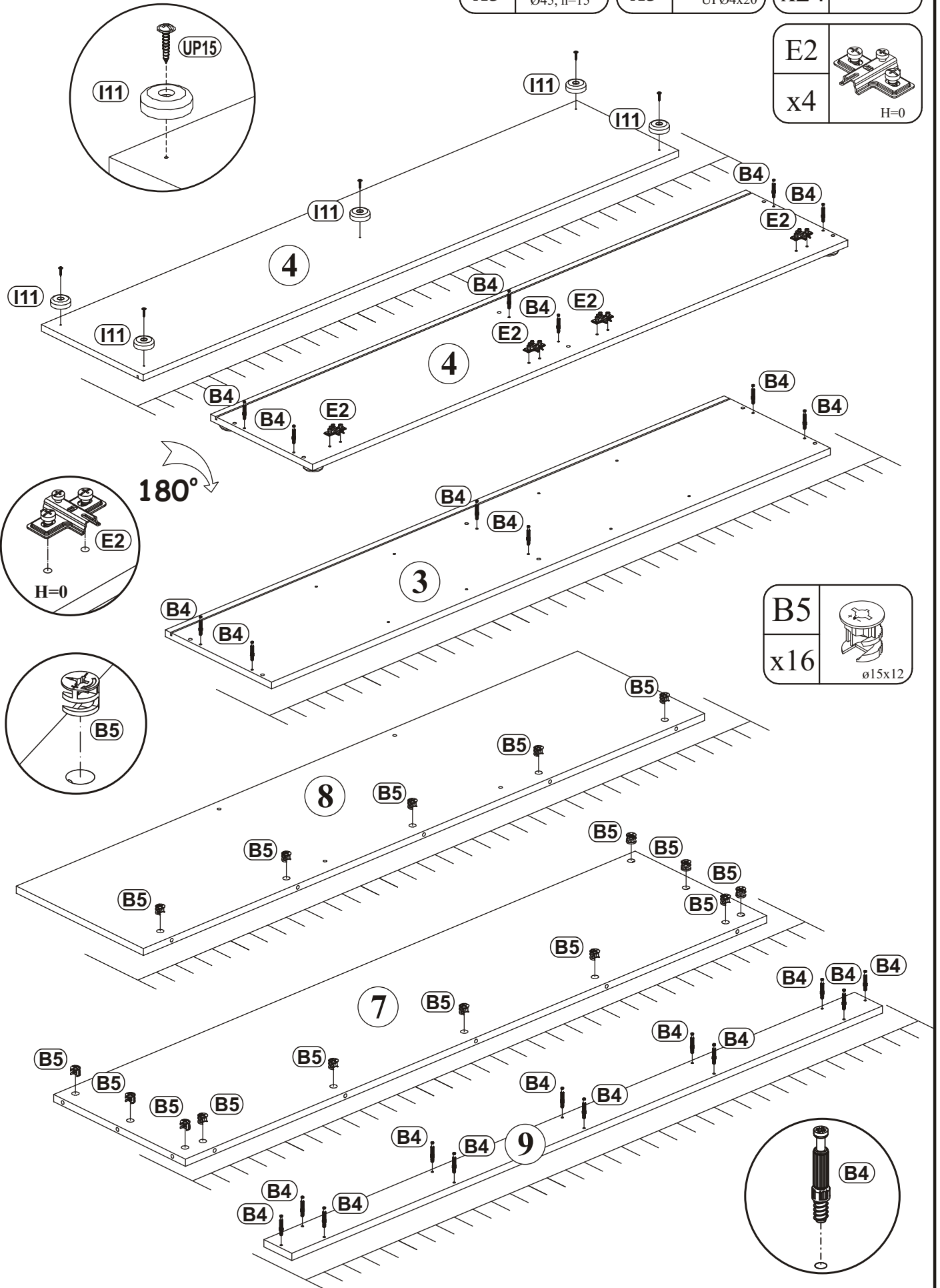
3

I11	
x5	Ø45, h=15


UP11	
x5	UPØ4x20

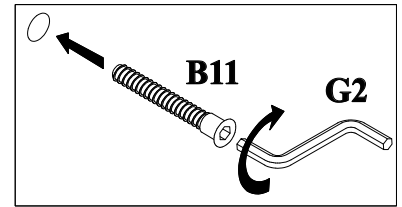
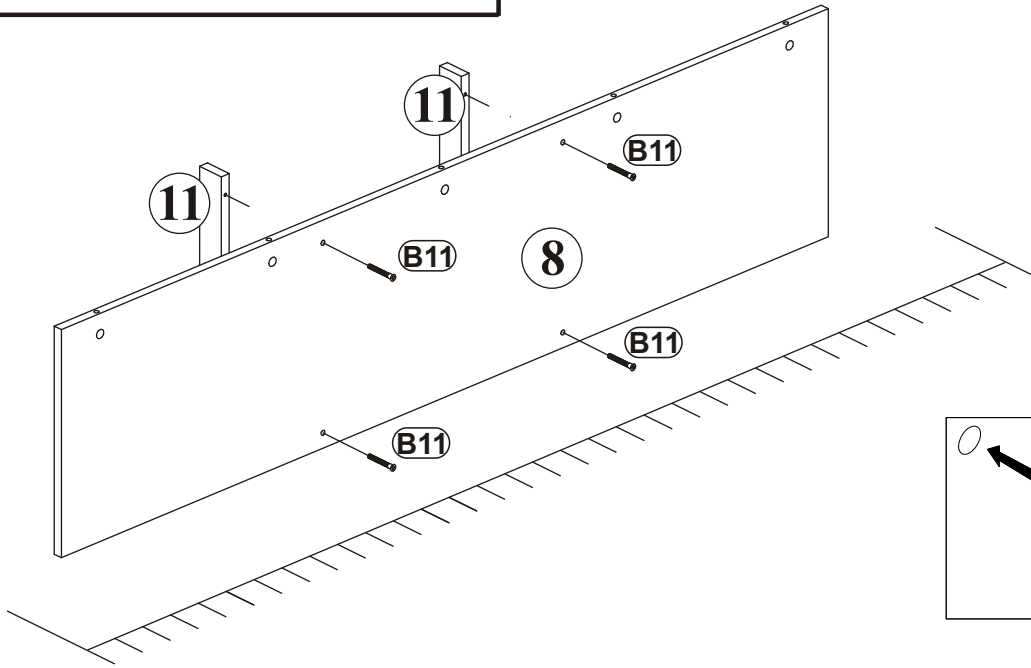
B4	
x24	

E2	
x4	H=0




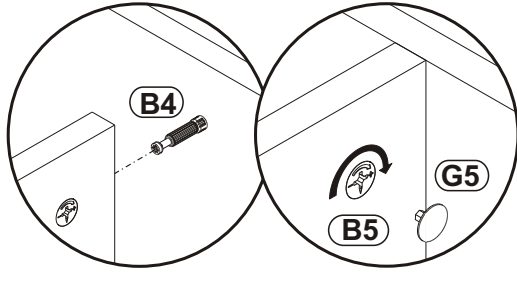
4

B11	
x4	Ø7x50

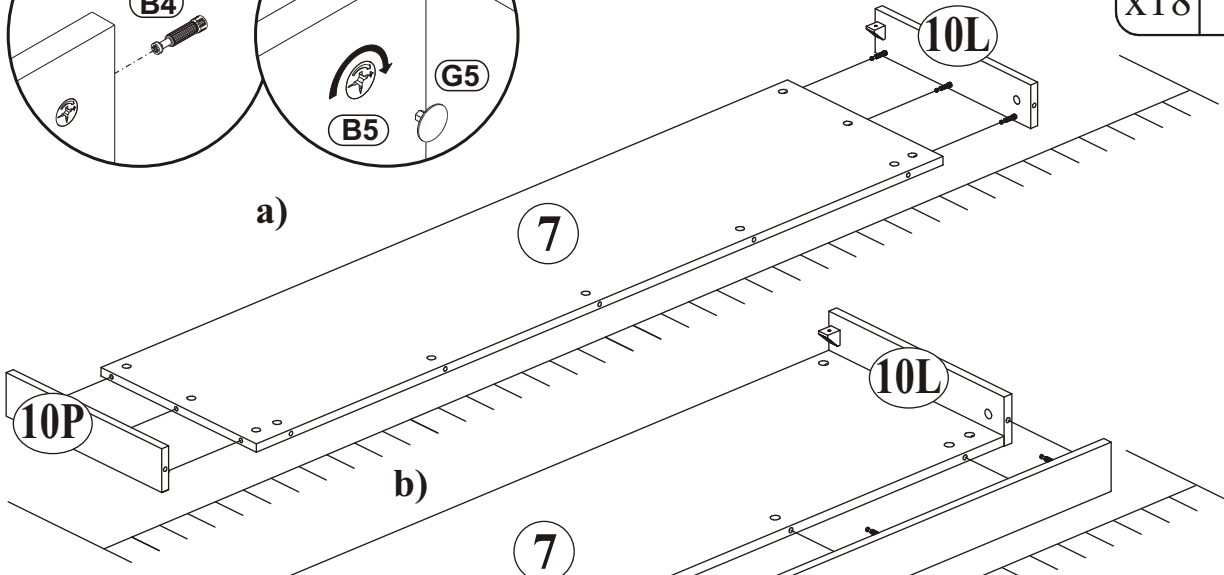


5

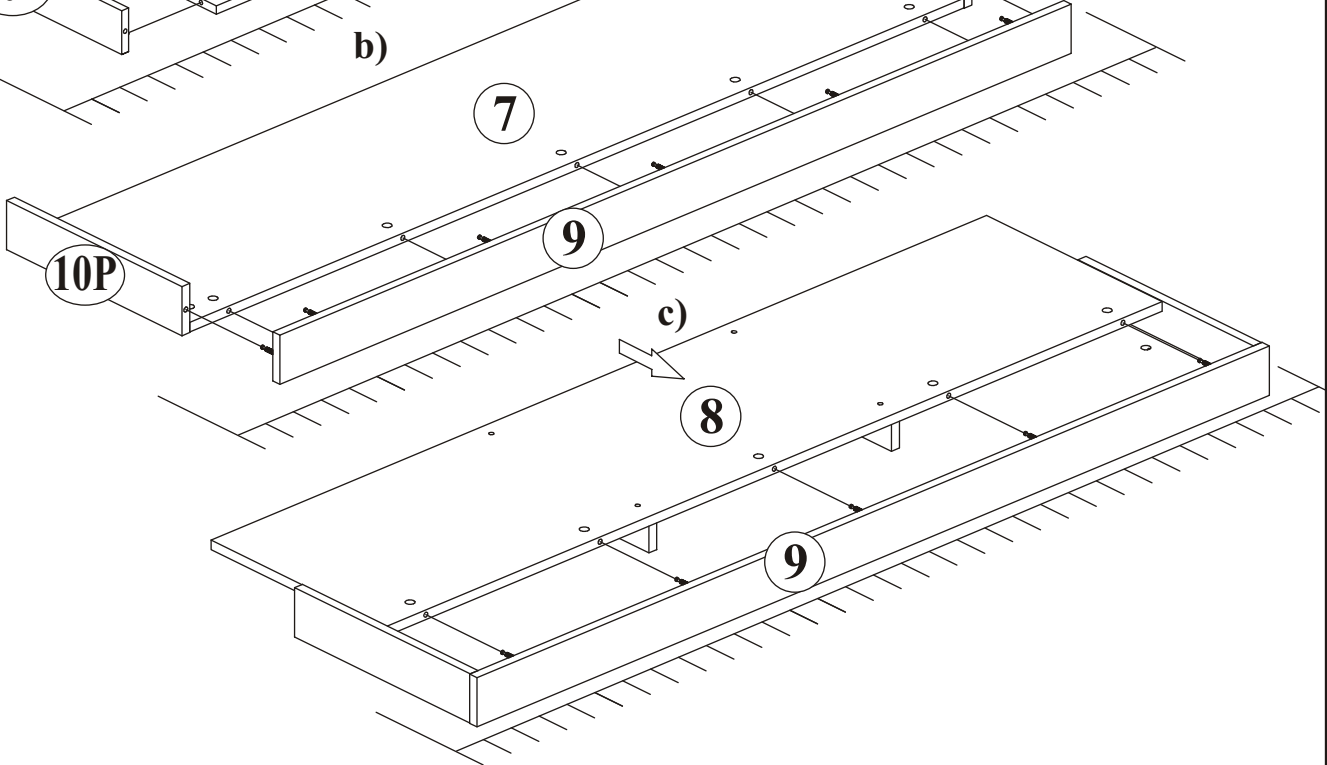
G5	
x18	



a)

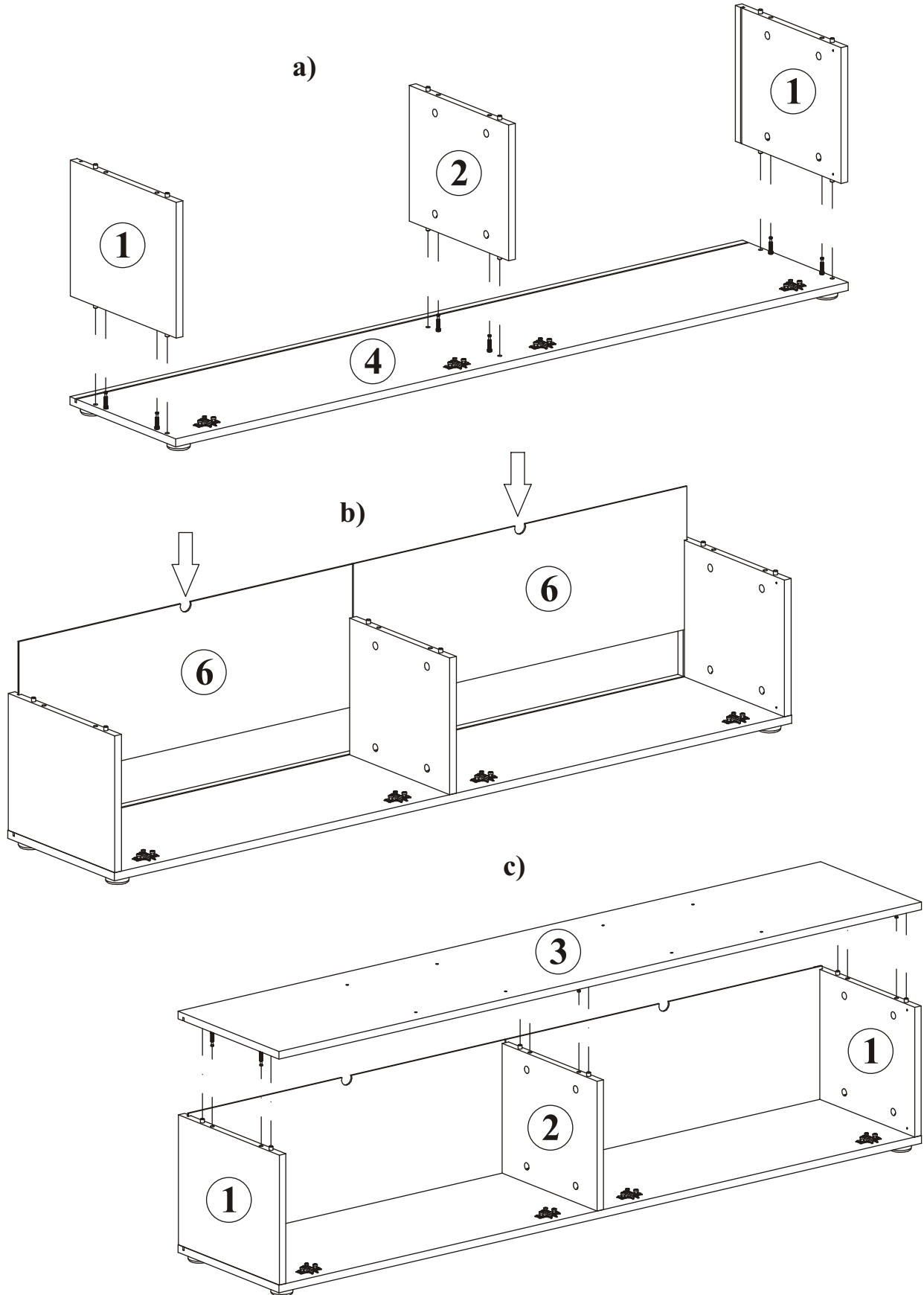
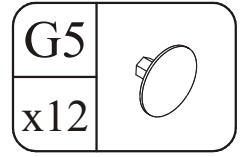
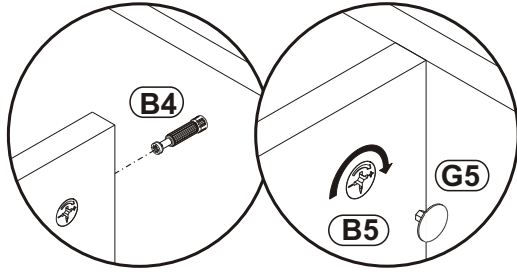


b)



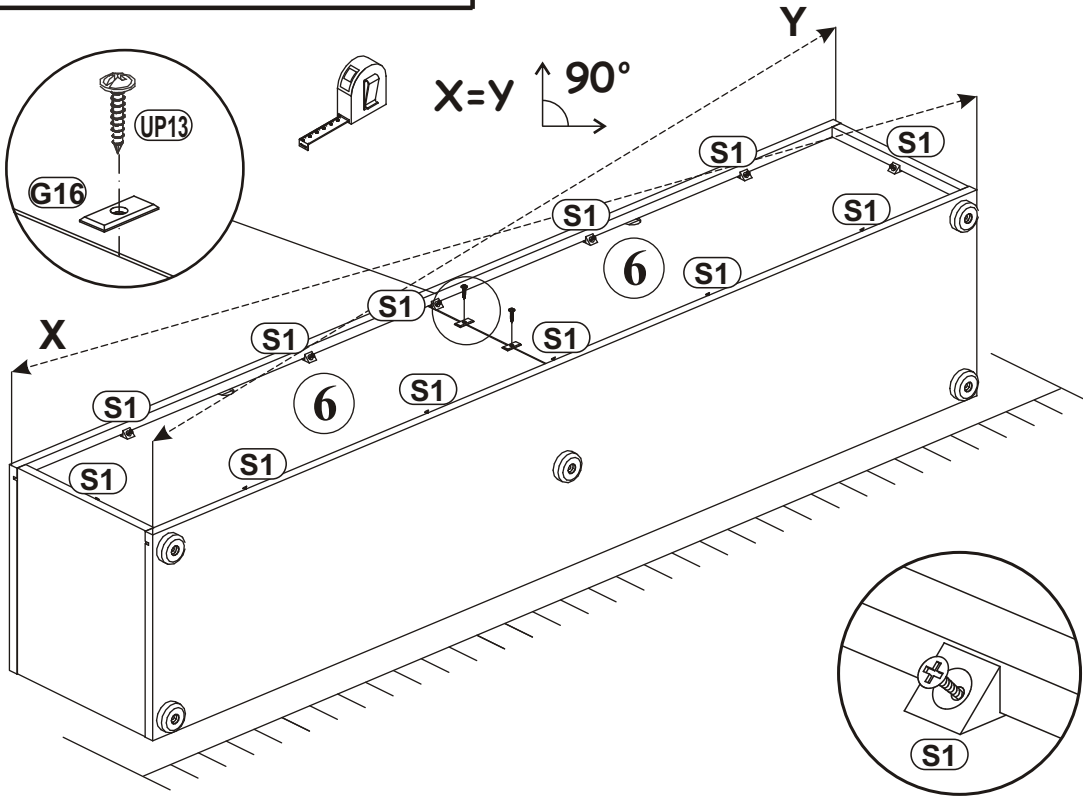
c)

6



CONCRET 20_CR TYP 30

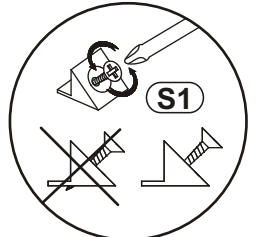
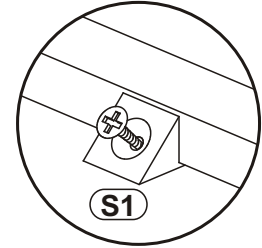
7



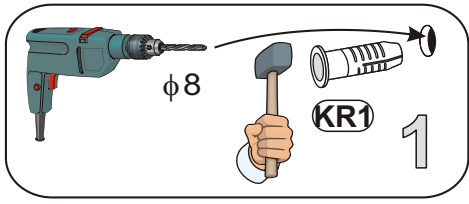
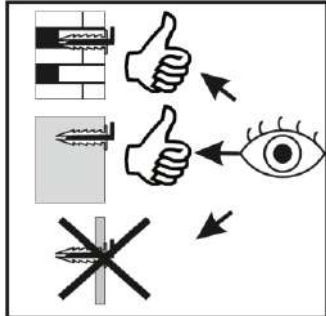
UP13	
x2	UPØ3x16

G16	
x2	

S1	
x12	



8

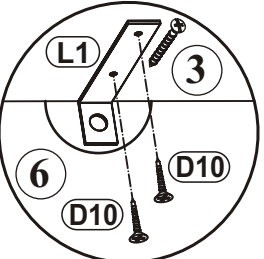
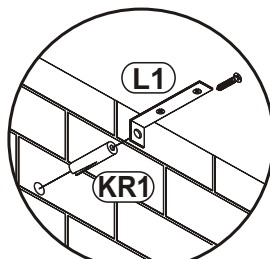
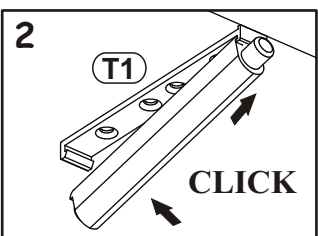
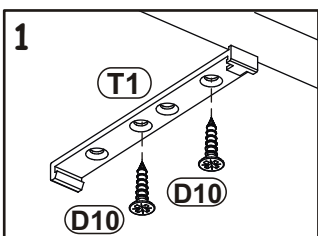
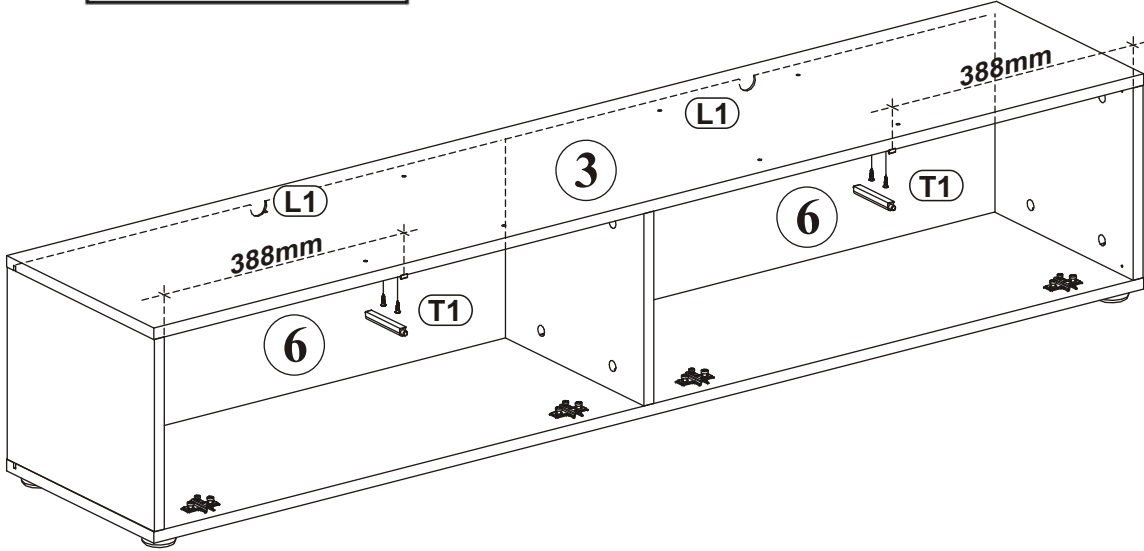


KR1	
x2	

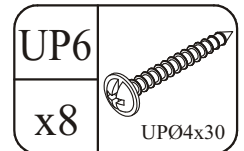
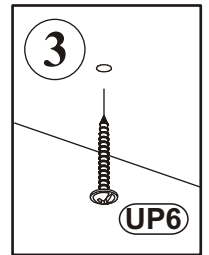
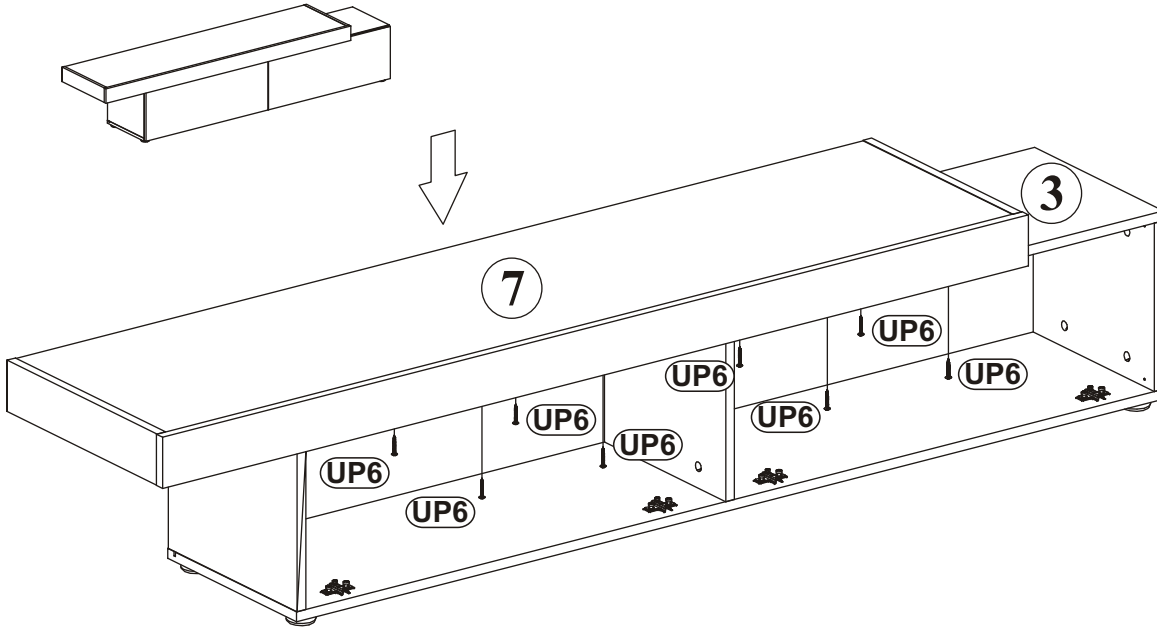
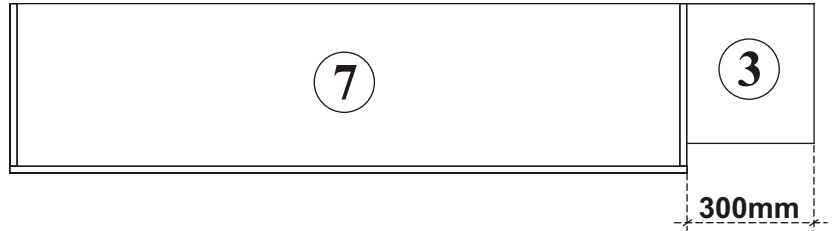
D10	
x8	USØ3,5x13

L1	
x2	

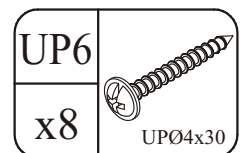
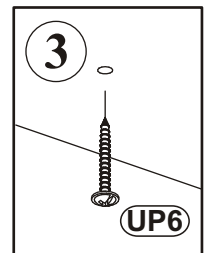
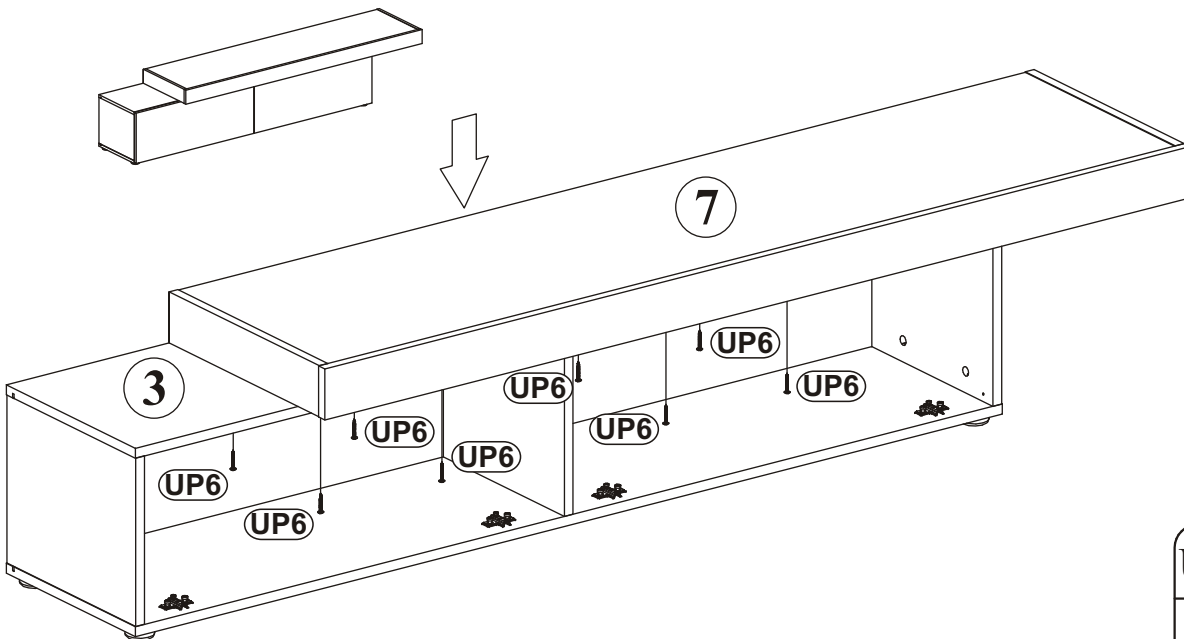
T1	
x2	



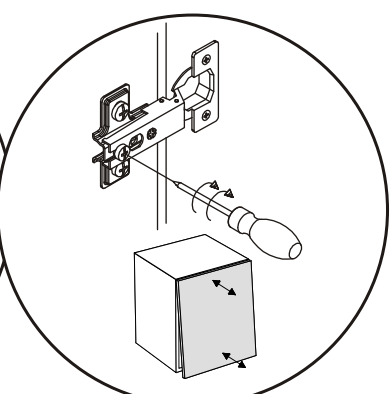
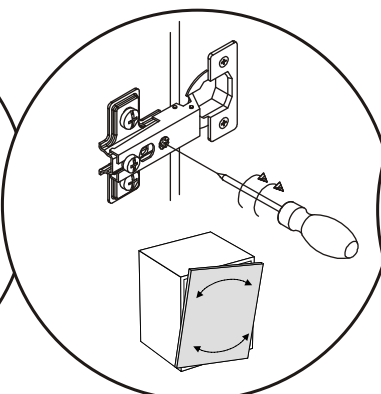
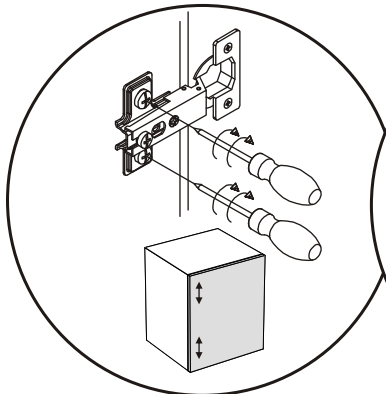
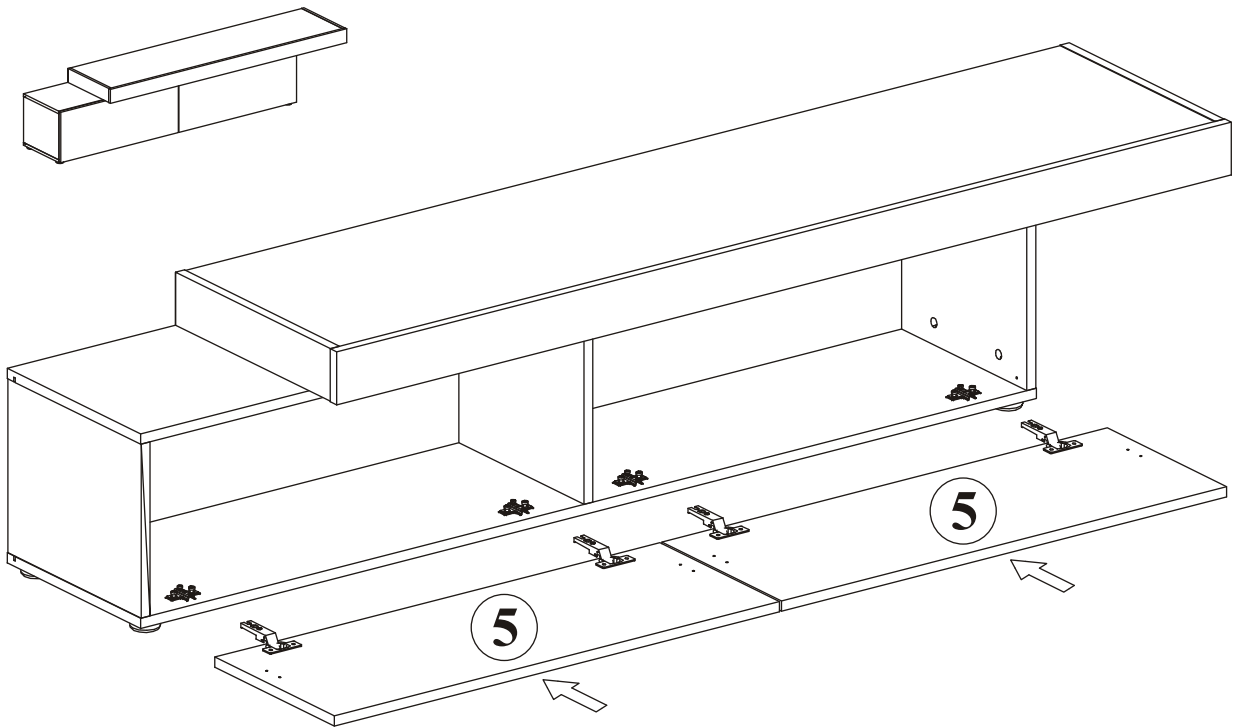
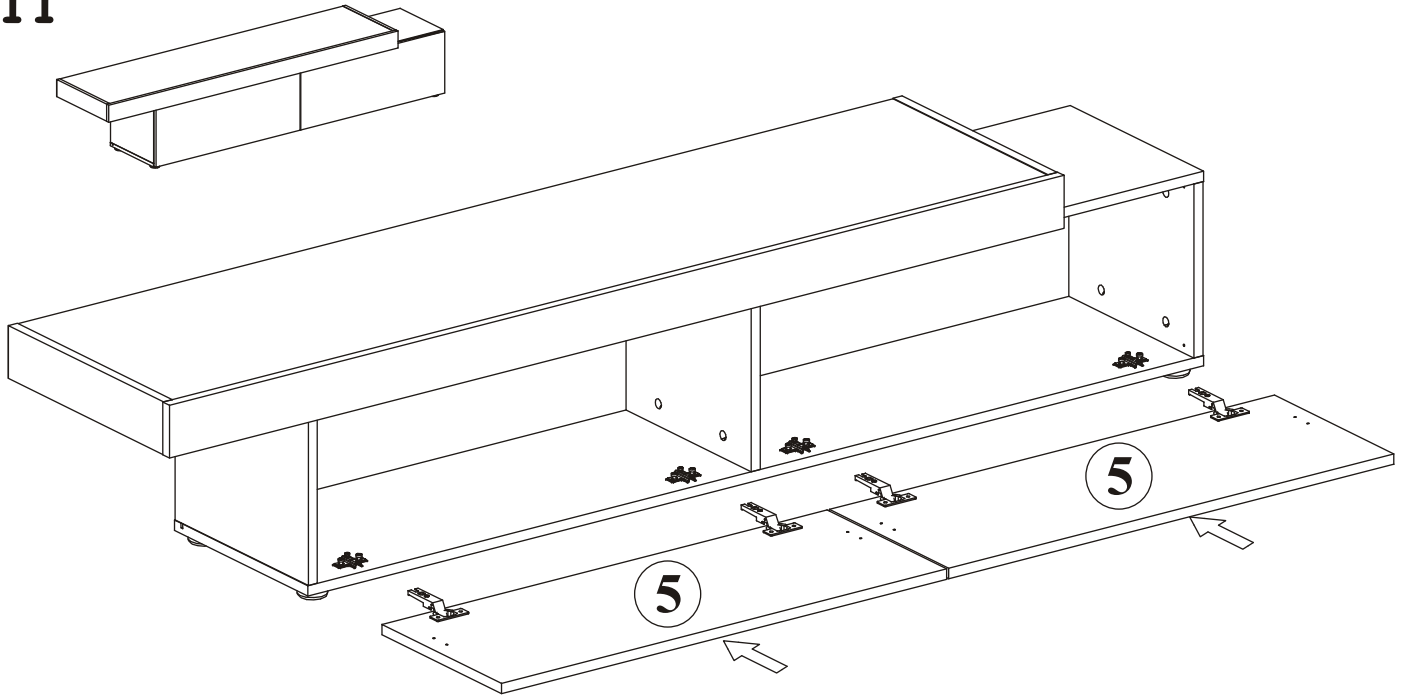
9



10



11



12

