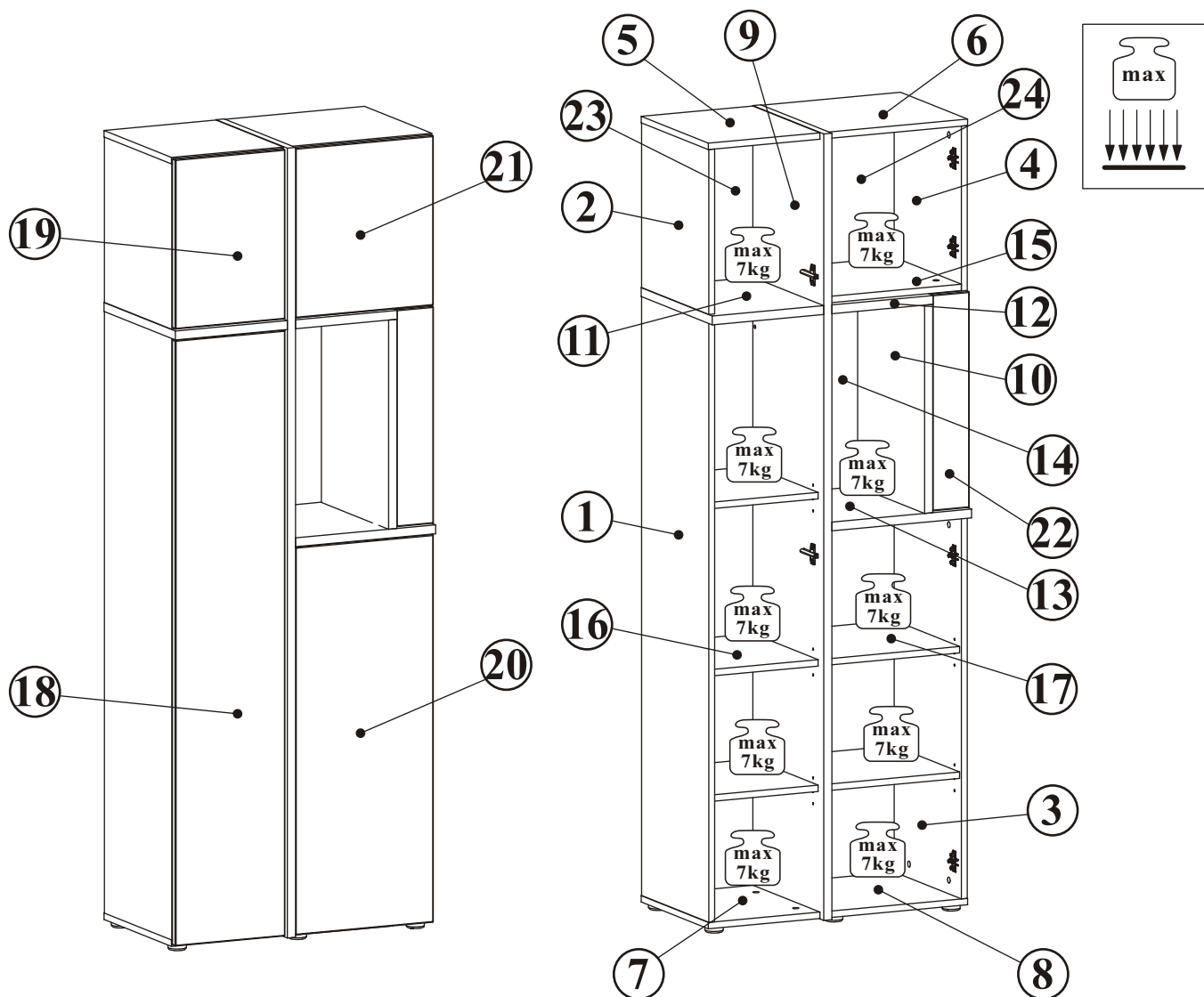
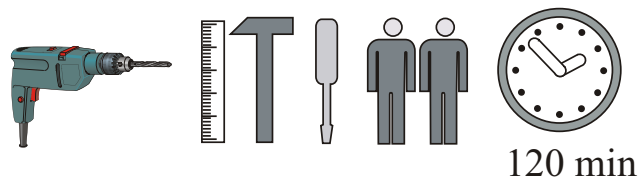


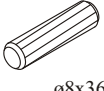
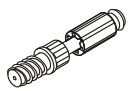





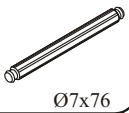
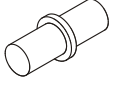
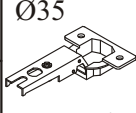
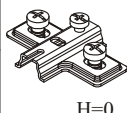
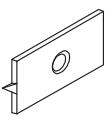
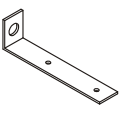
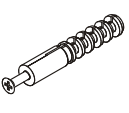
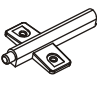
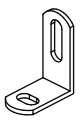
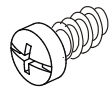



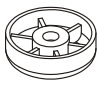

CROSS 28PEWCS WSW

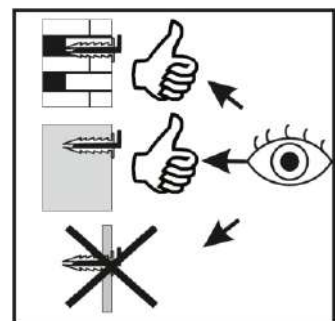
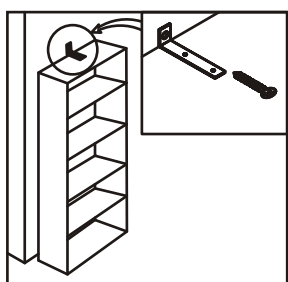
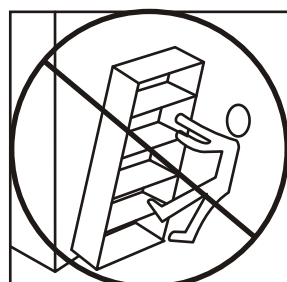
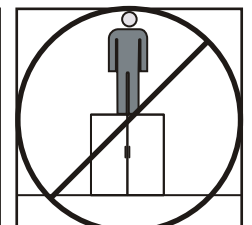
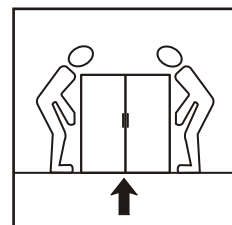
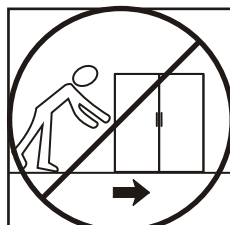
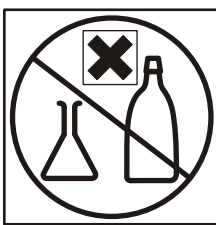
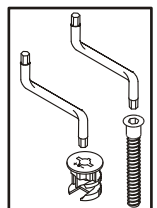
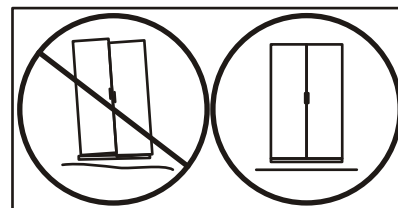
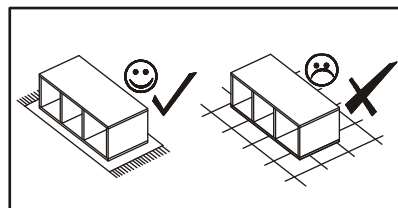
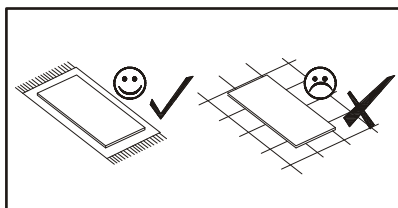
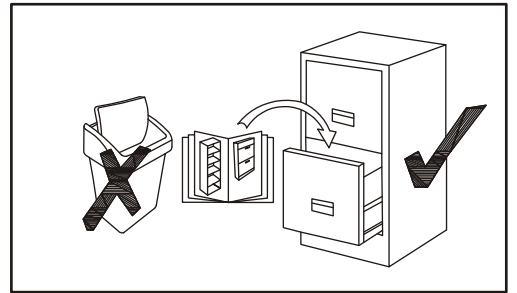
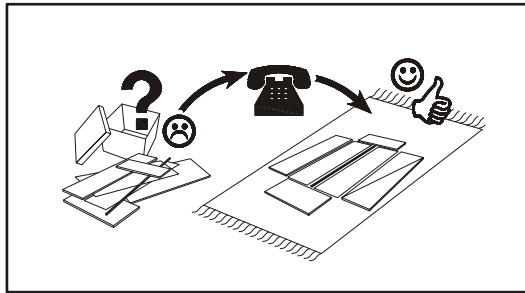
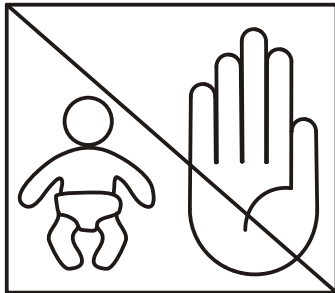
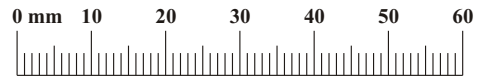


NO	Dim.			Qty	Qty
1	1490	377	16	3	1
2	410	377	16	3	1
3	950	377	16	3	1
4	950	377	16	3	1
5	302	377	16	1	1
6	378	377	16	1	1
7	302	377	16	1	1
8	378	377	16	1	1
15	361	377	16	1	1
16	285	367	16	1	3
17	361	367	16	1	2
9	1956	399	22	3	1
10	518	399	22	1	1
11	302	399	22	1	1
12	274	399	22	1	1
13	378	399	22	1	1
14	250	517	22	1	1
18	1500	296	16	2	1
19	420	296	16	2	1
20	960	372	16	2	1
21	420	372	16	2	1
22	537	100	16	2	1
23	1948	309	3	2	1
24	1948	385	3	2	1



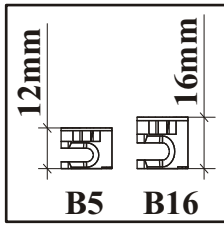
CROSS 28PEWCS WSW

A1 x38  ø8x36	B4 x14 	B5 x28  ø15x12	G5 x34 	B15 x8  Ø7x60	G4 x8 
B16 x6  Ø15x16	B6 x10  Ø7x76	G7 x22 	E21 x9  Ø35 H=0	E2 x9  H=0	G16 x13 
L1 x2 	KR1 x2 	T3 x4 	L6 x3 	D31 x6  EKØ6,3x13	UP13 x54  UPØ3x16
D10 x30  USØ3,5x13	UP15 x6  UPØ4x25	I11 x6  Ø45, h=15	G2 x1 		



CROSS 28PEWCS WSW

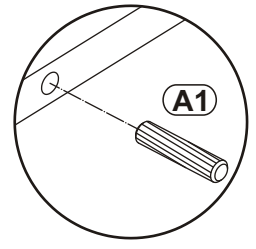
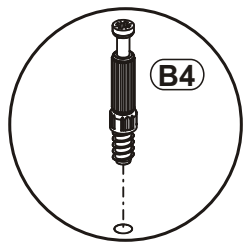
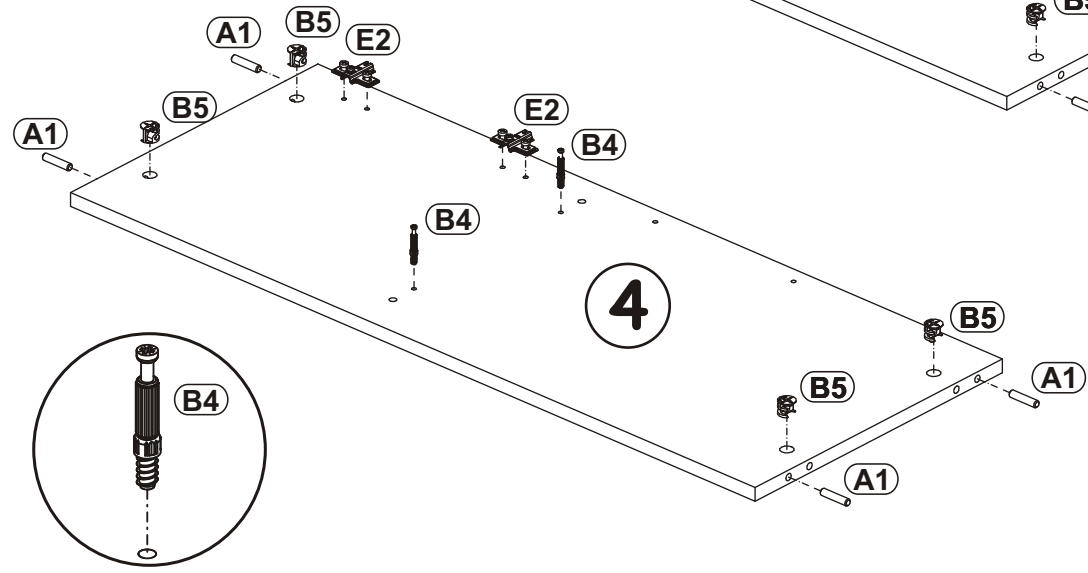
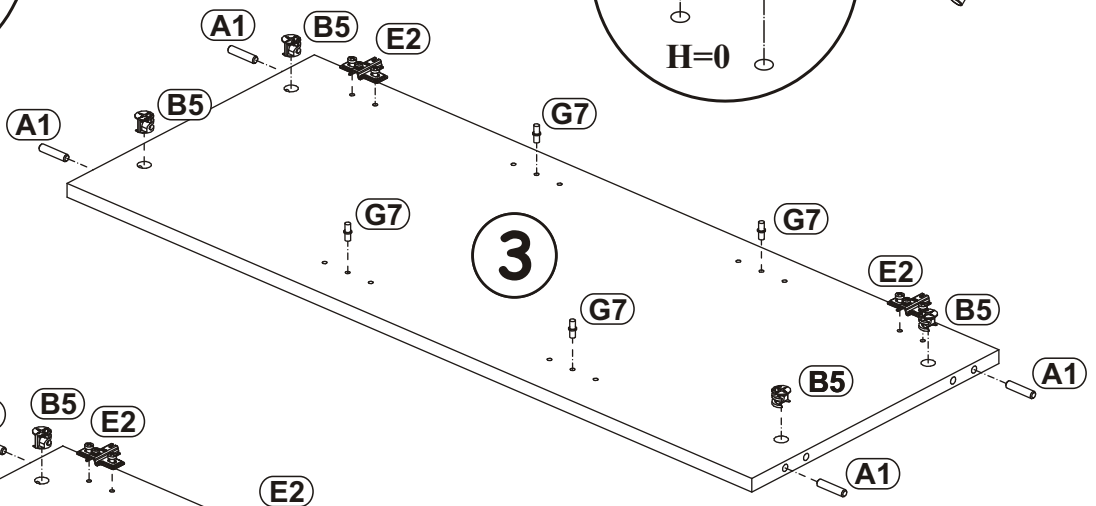
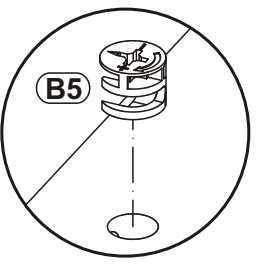
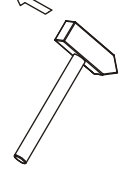
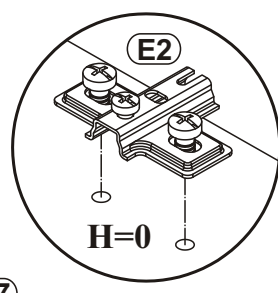
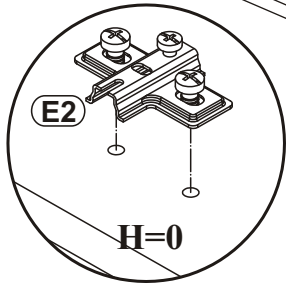
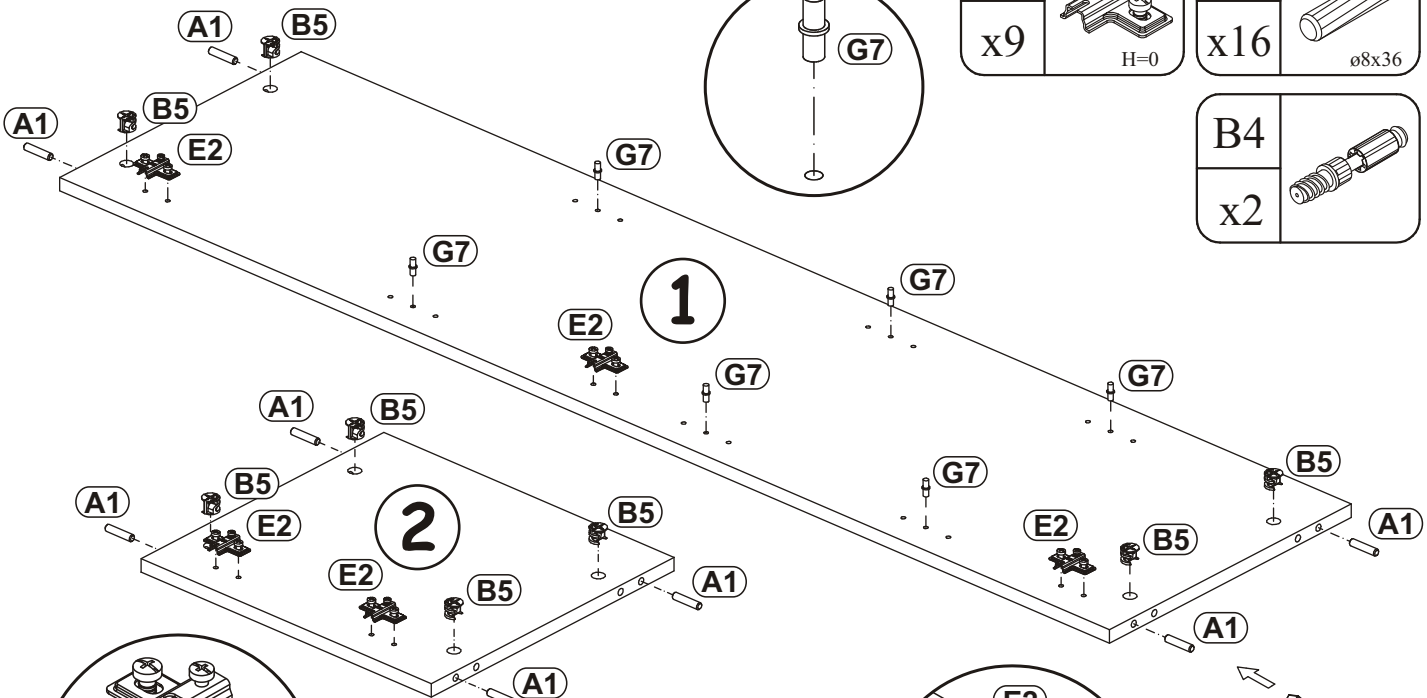
1



B5		G7	
x16	ø15x12	x10	

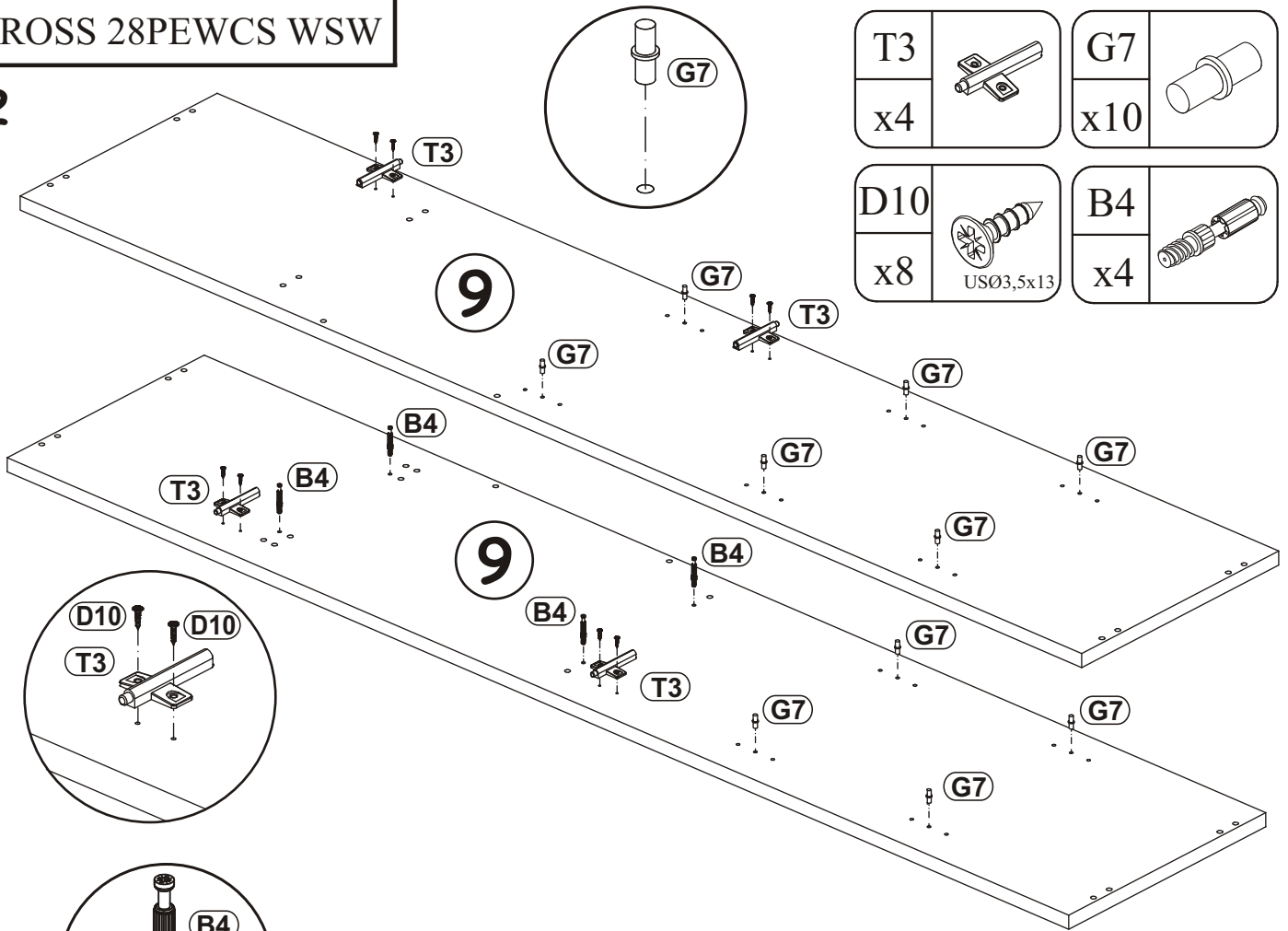
E2		A1	
x9	H=0	x16	ø8x36

B4	
x2	



CROSS 28PEWCS WSW

2



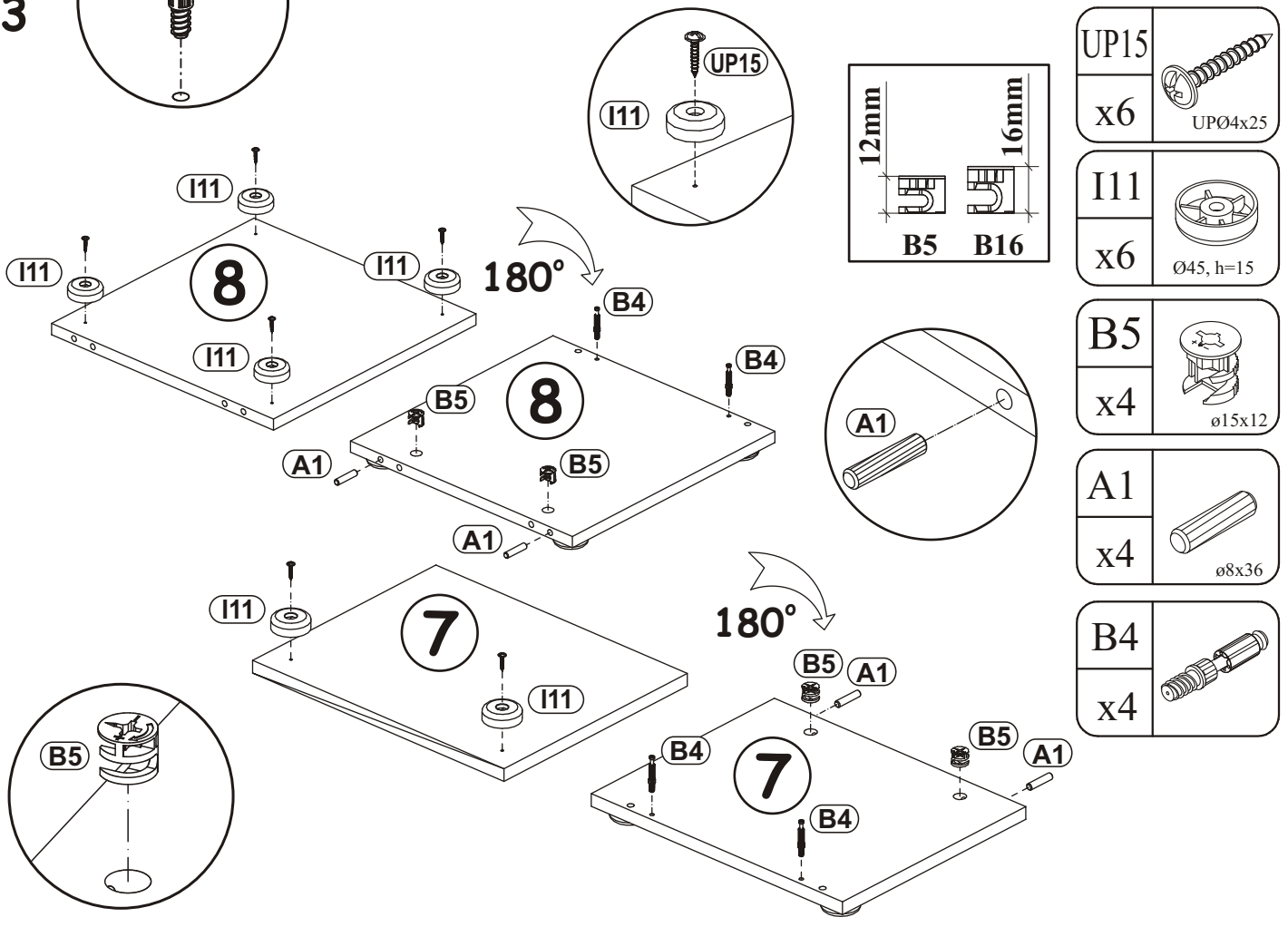
T3	
x4	

G7	
x10	

D10	
x8	USØ3,5x13

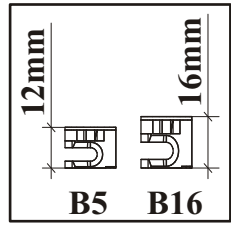
B4	
x4	

3



UP15	
x6	UPØ4x25

I11	
x6	Ø45, h=15

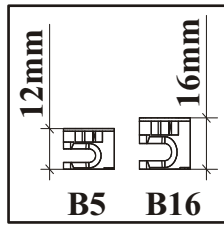


B5	
x4	Ø15x12

A1	
x4	Ø8x36

B4	
x4	

4

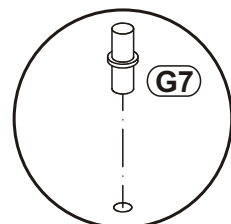
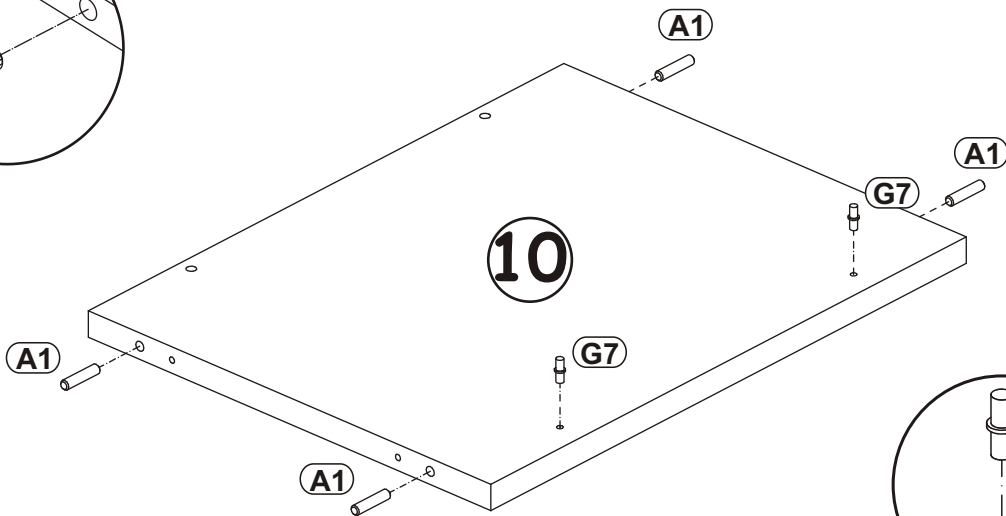
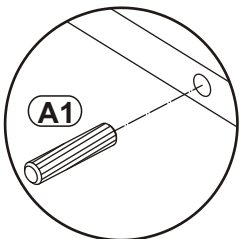
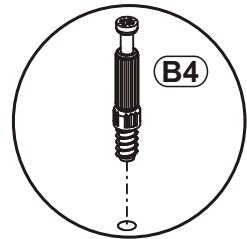
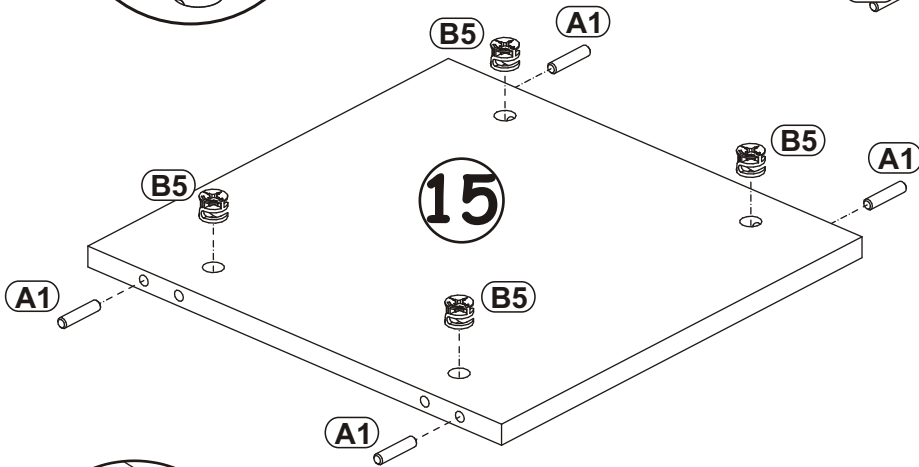
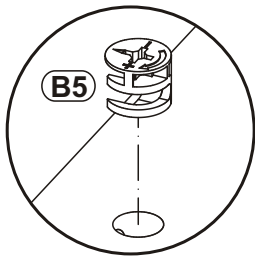
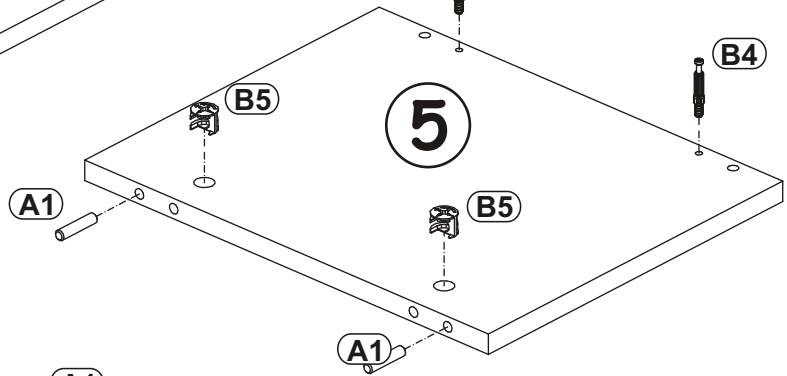
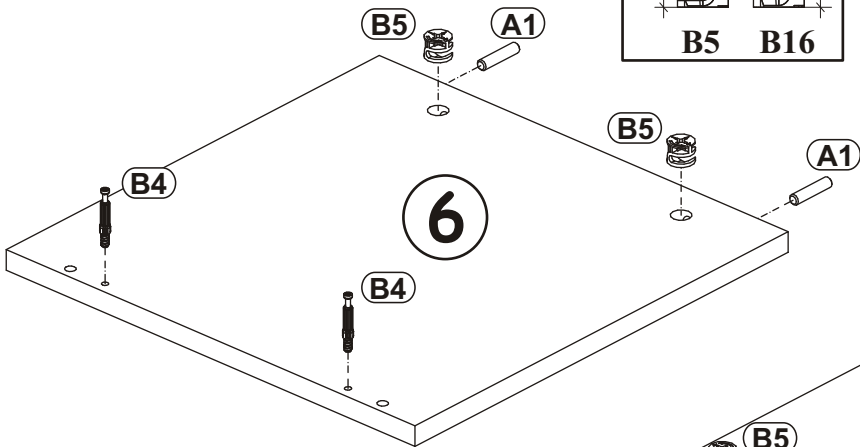


G7	
x2	

B5	
x8	$\varnothing 15 \times 12$

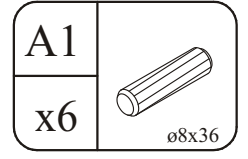
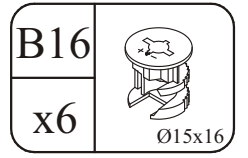
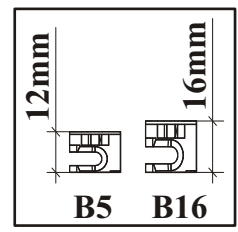
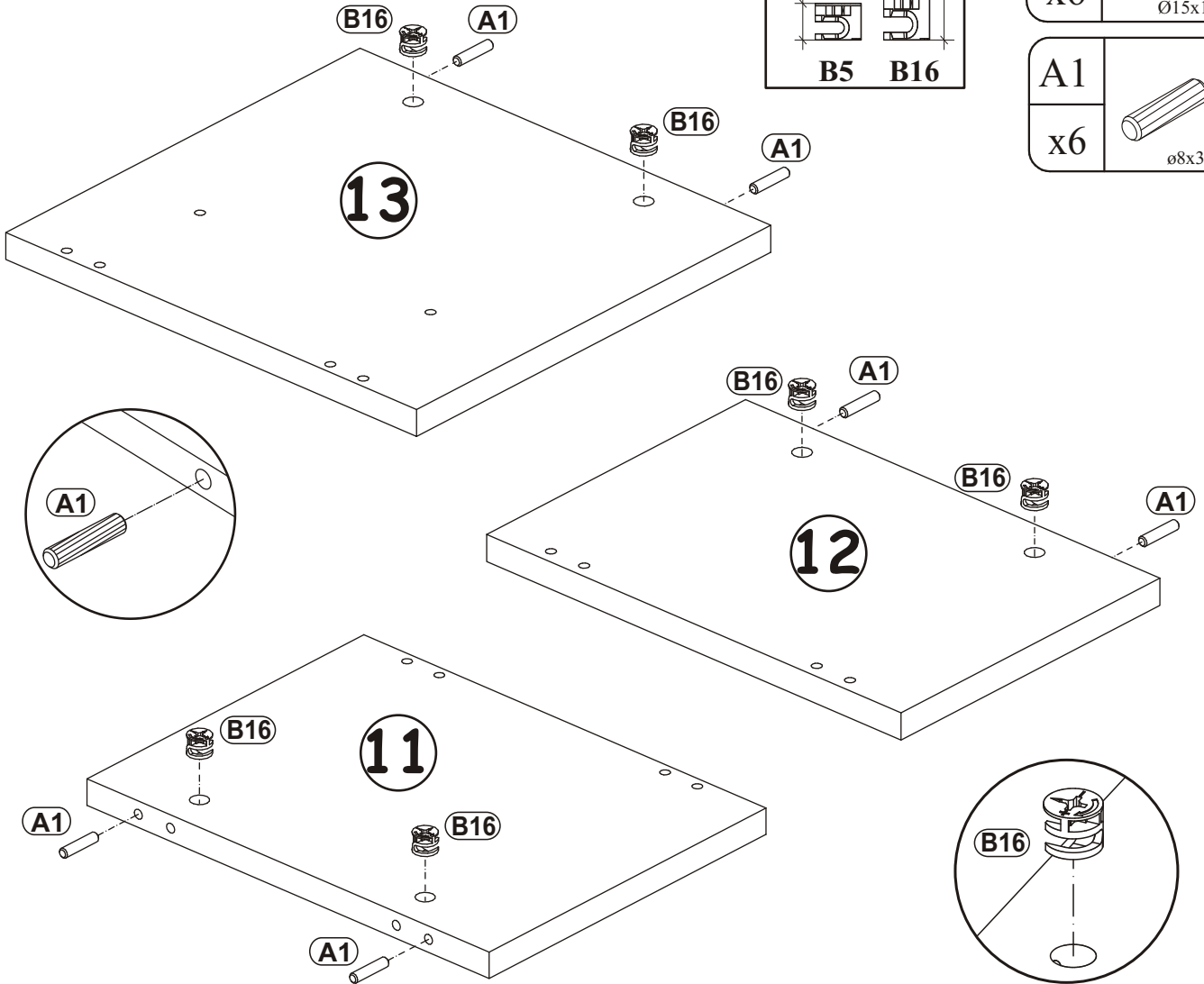
A1	
x12	$\varnothing 8 \times 36$

B4	
x4	

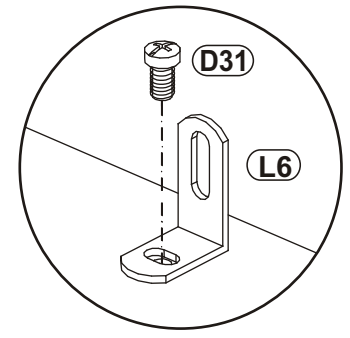
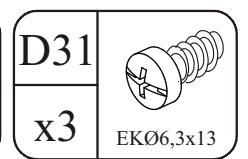
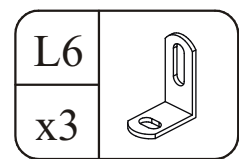
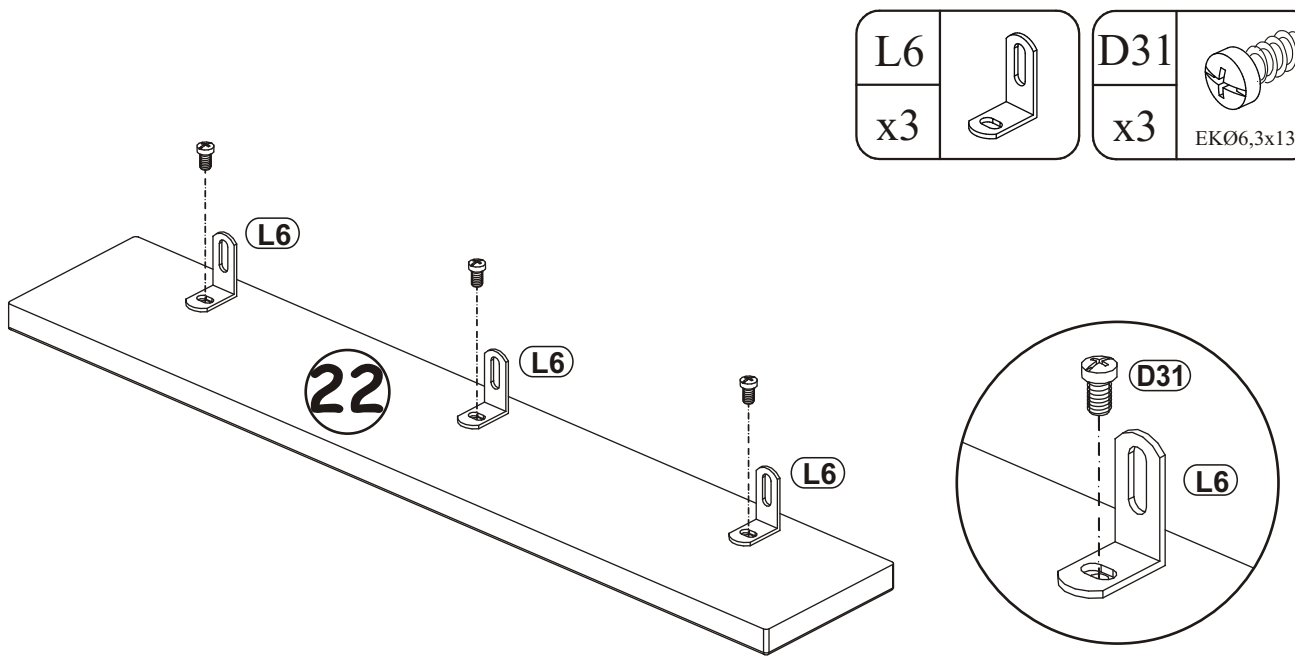


CROSS 28PEWCS WSW

5

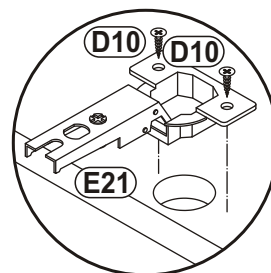
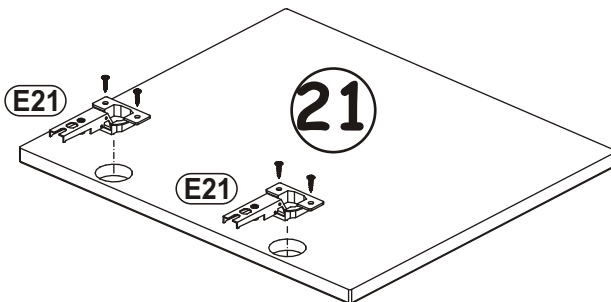
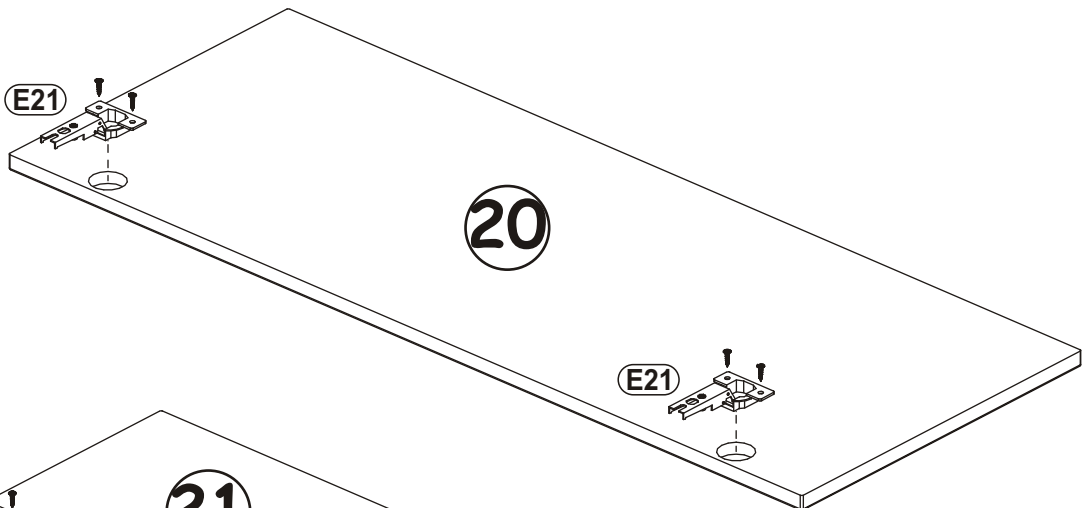
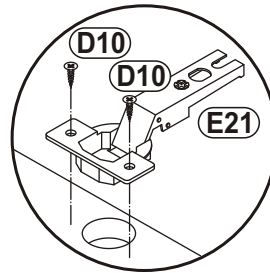
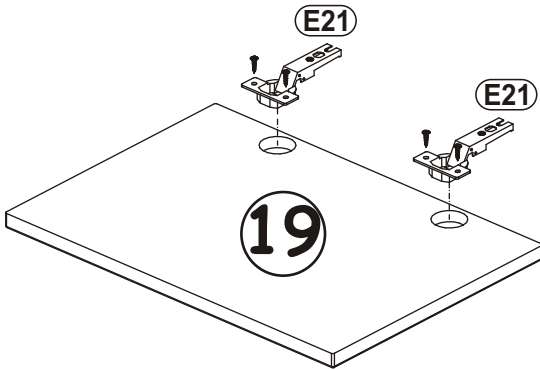
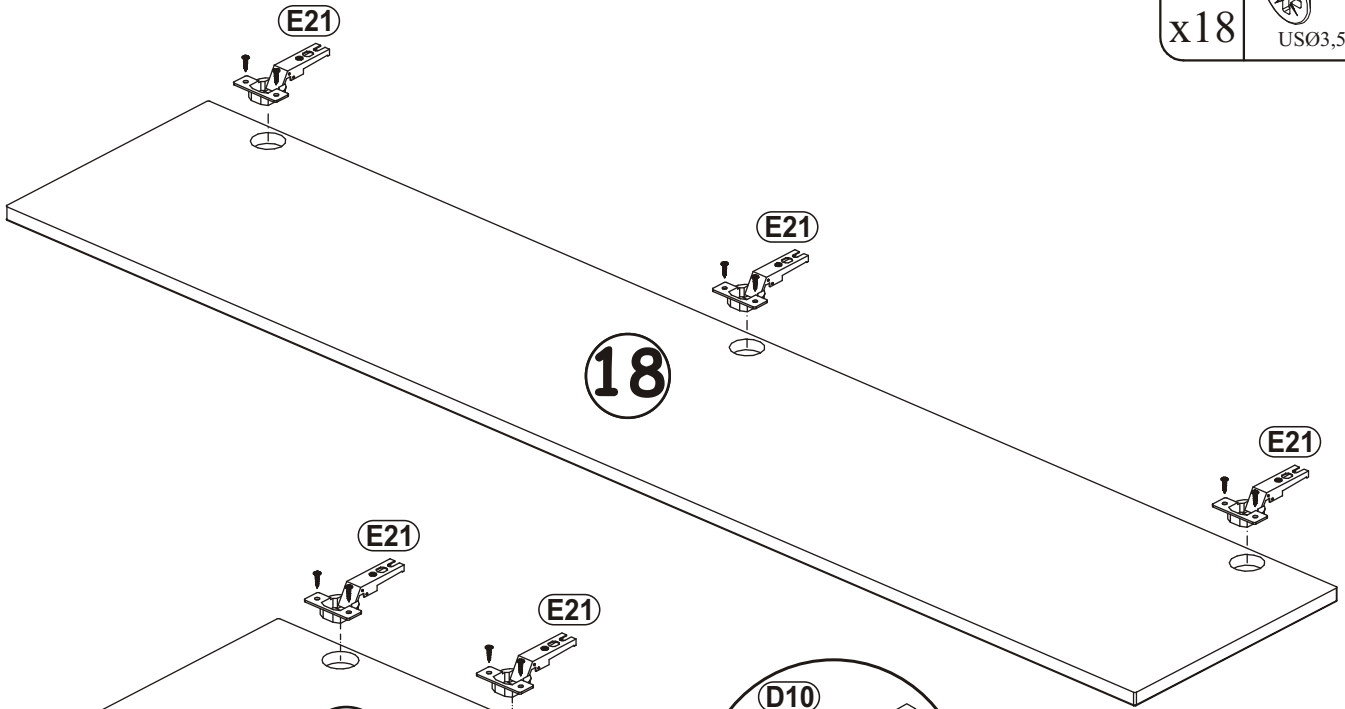
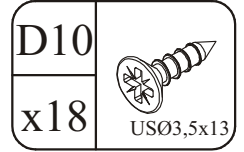
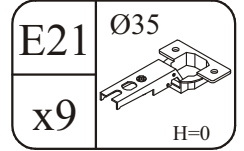
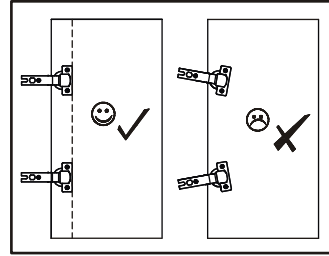
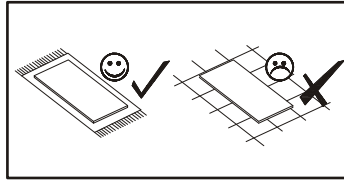


6

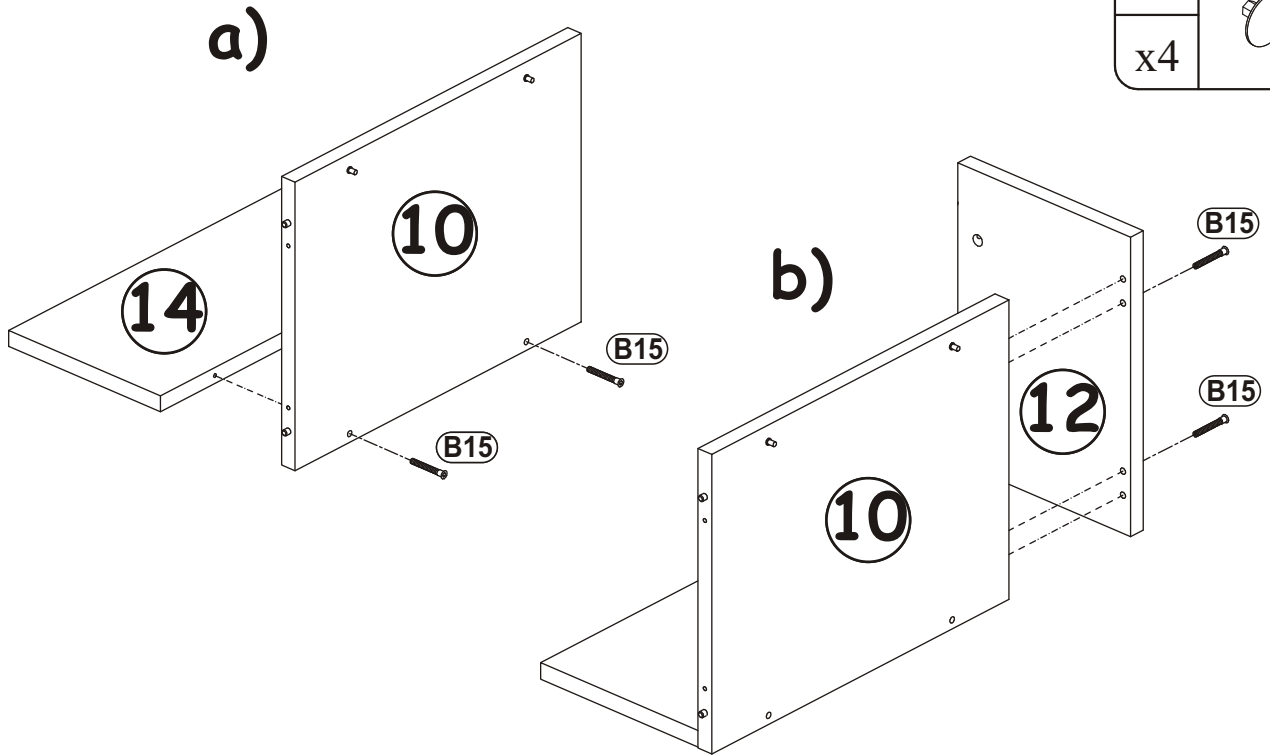
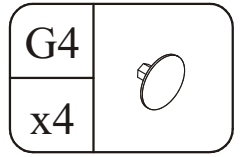
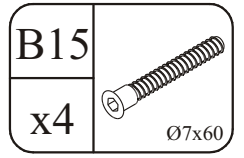
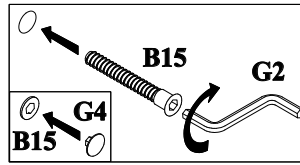


CROSS 28PEWCS WSW

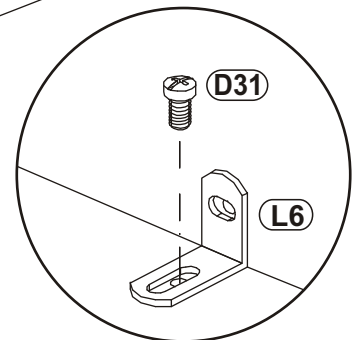
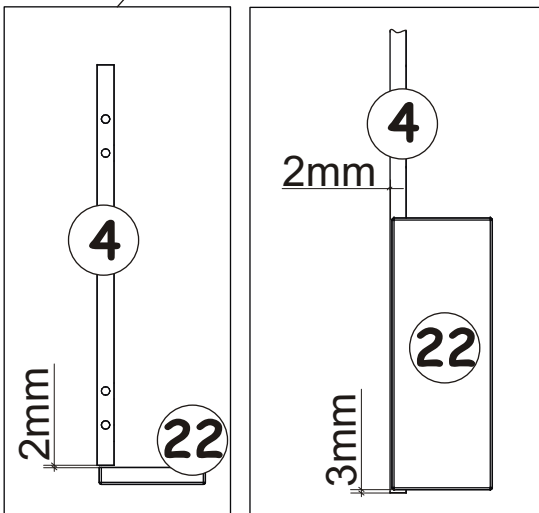
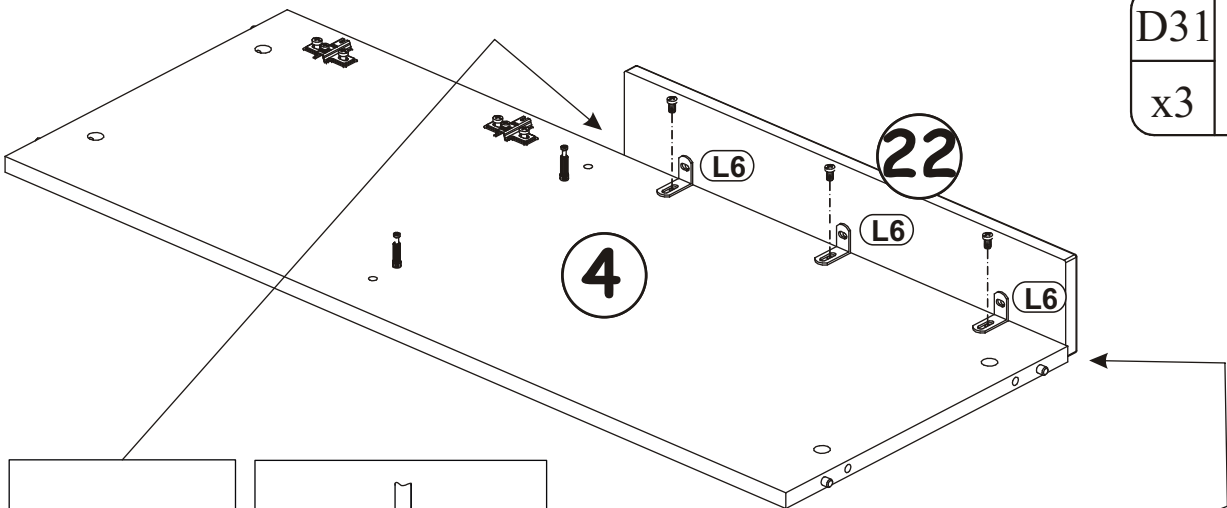
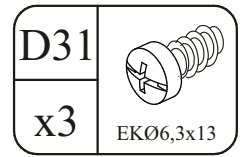
7





8



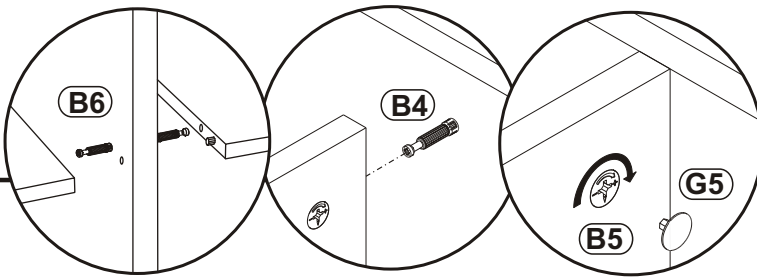
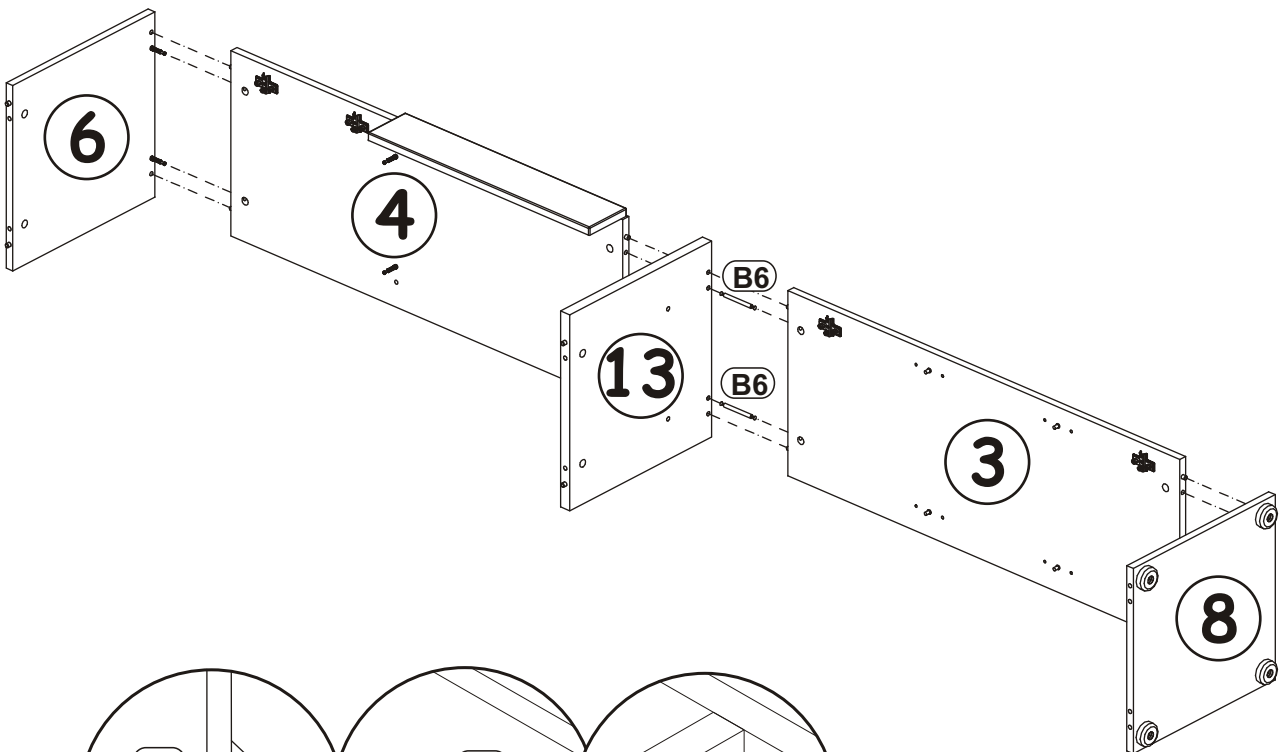
9




G5	
x8	


B6	
x2	Ø7x76

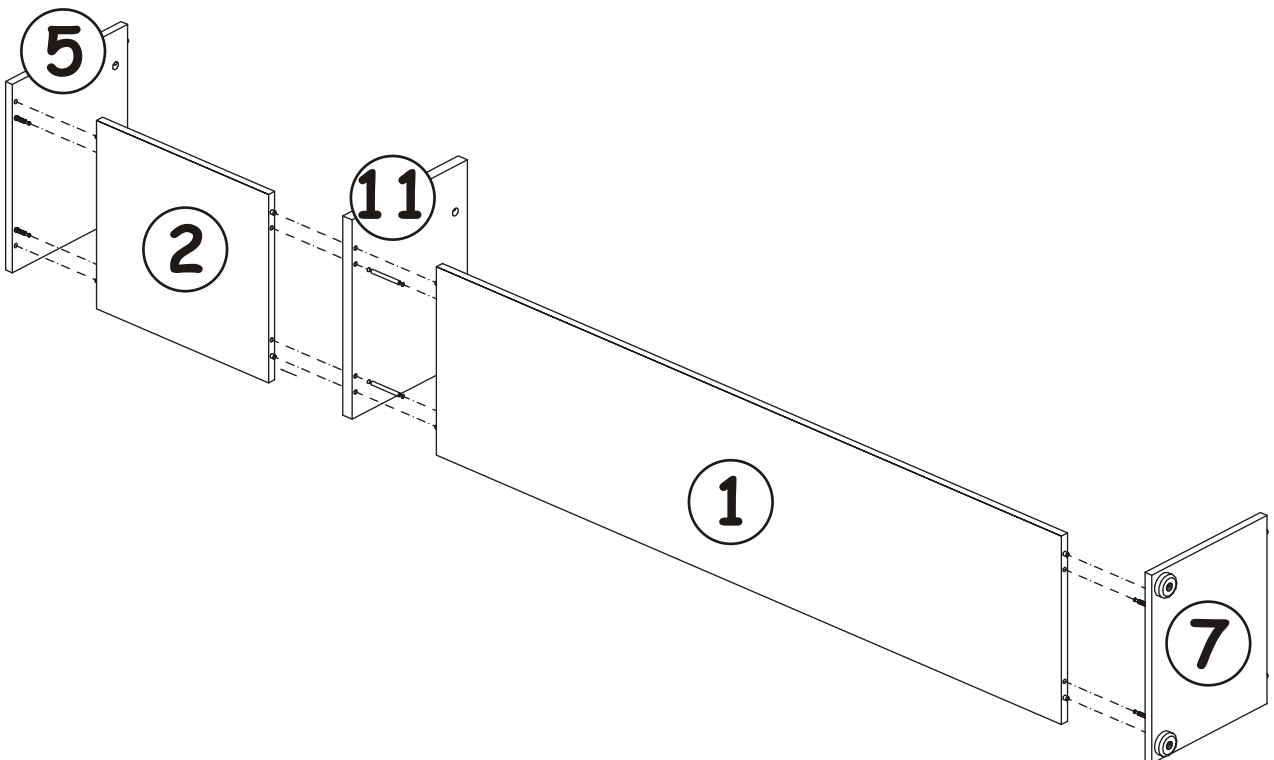
10



11

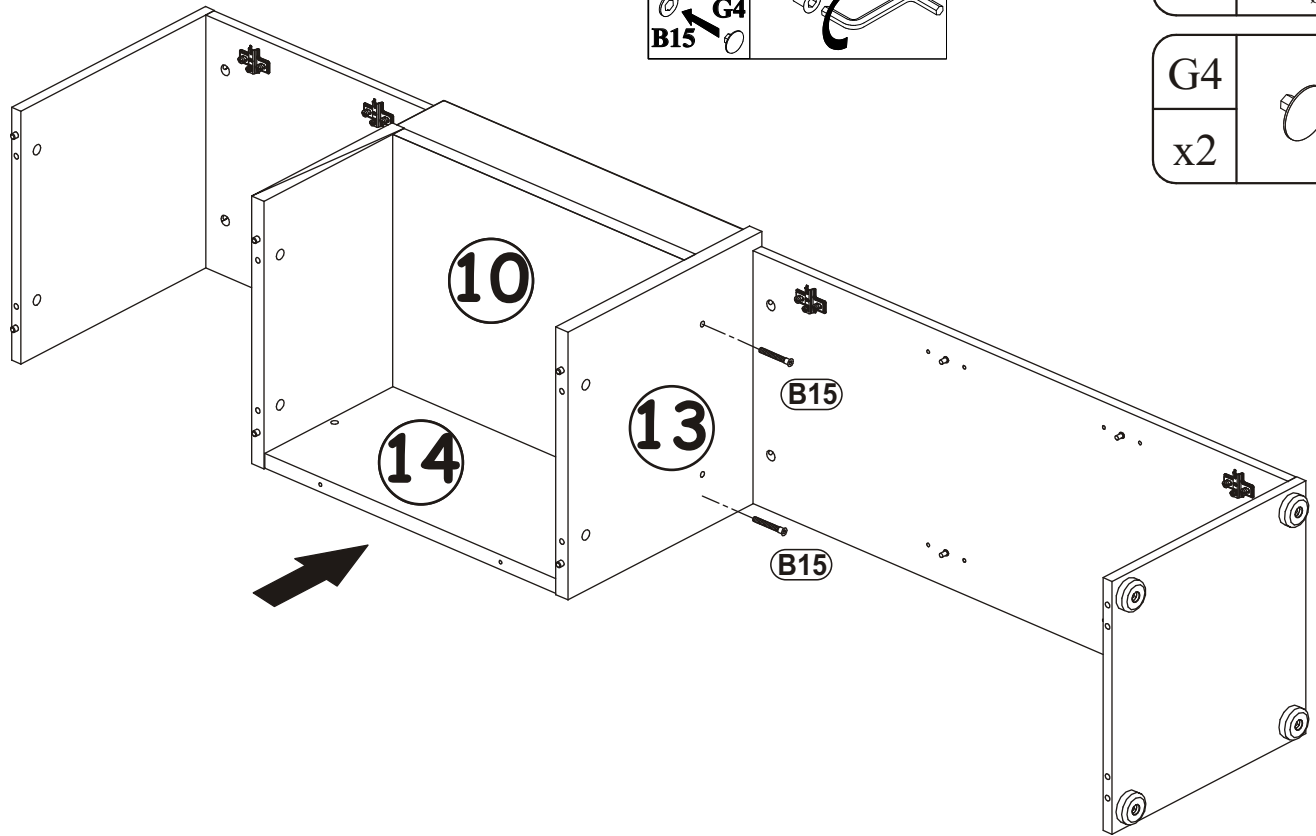
G5	
x8	

B6	
x2	Ø7x76



CROSS 28PEWCS WSW

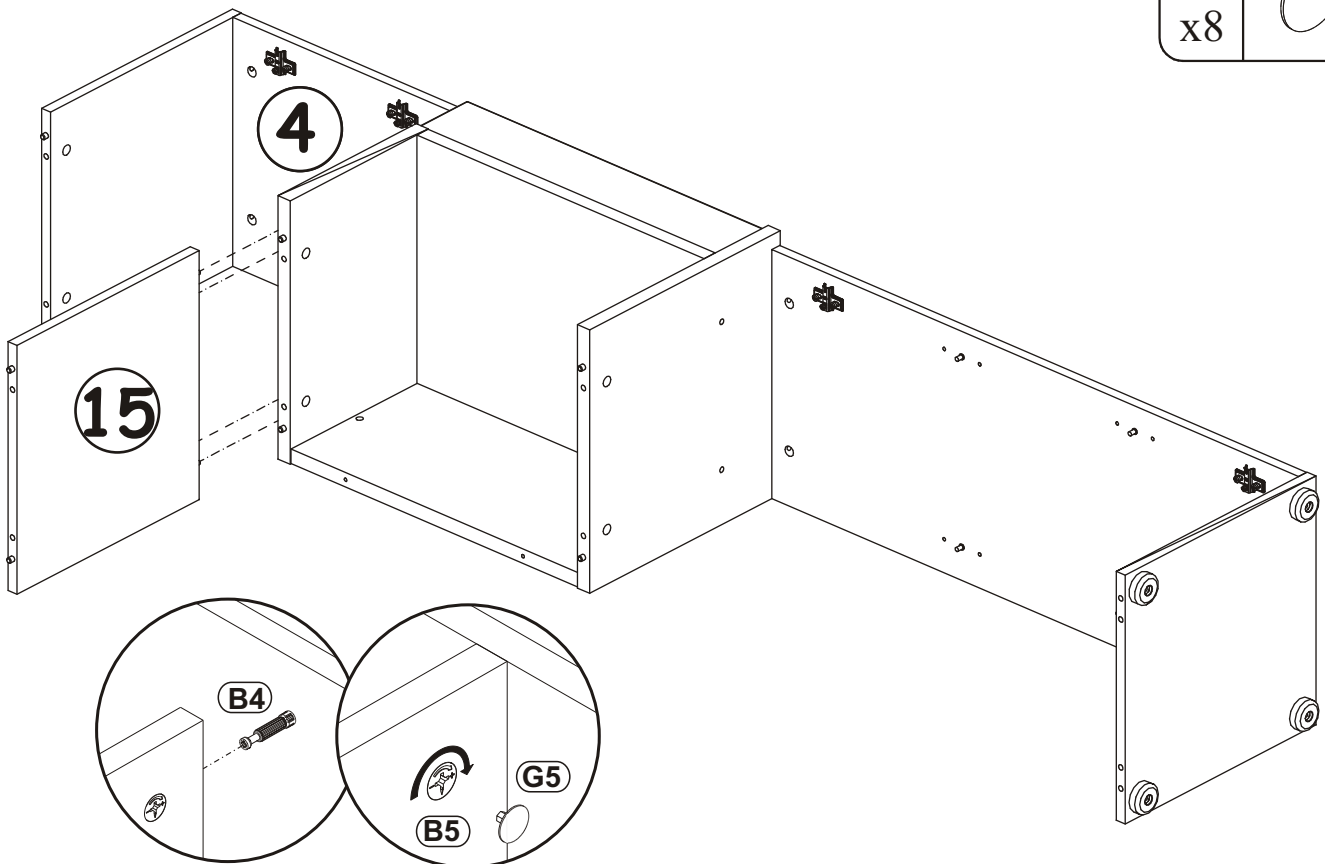
12



B15	
x2	Ø7x60

G4	
x2	

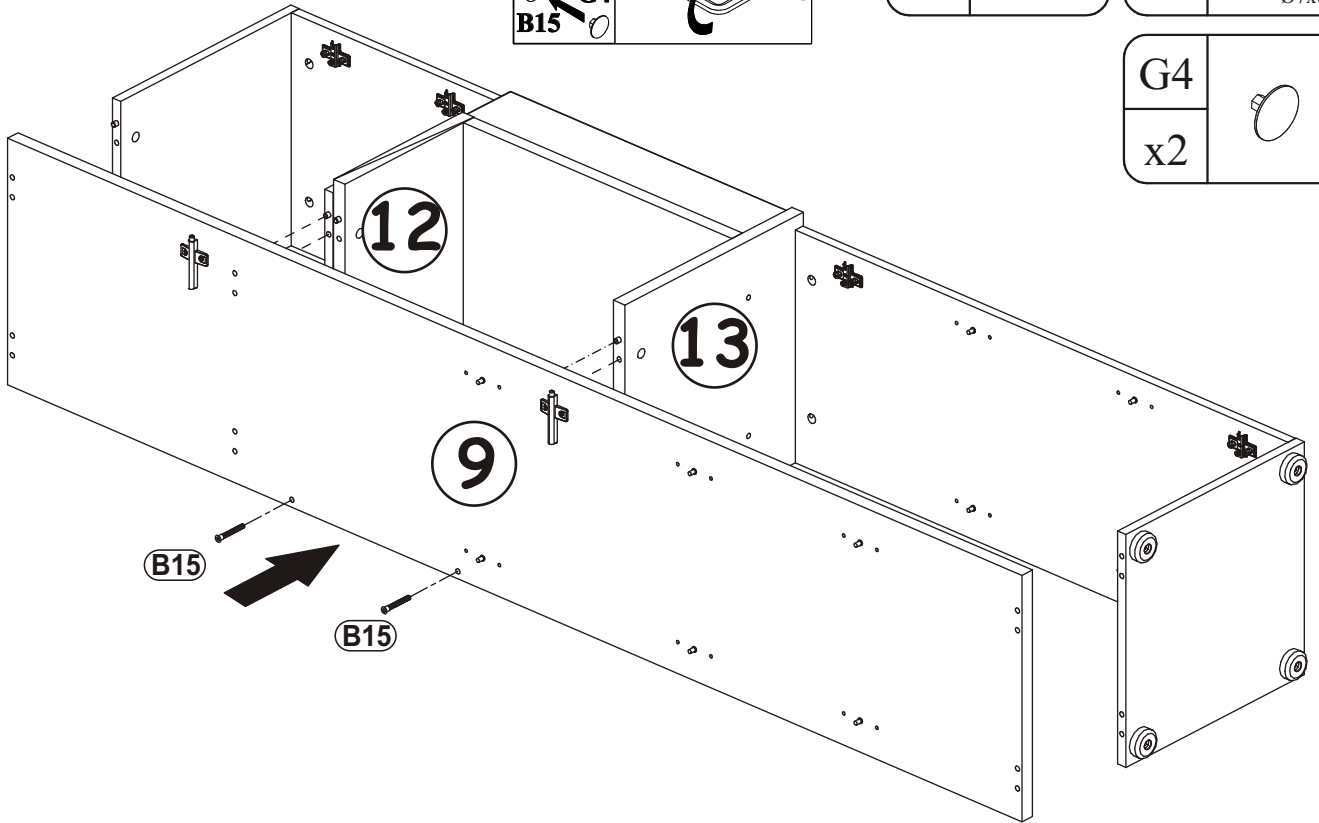
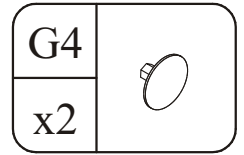
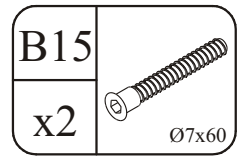
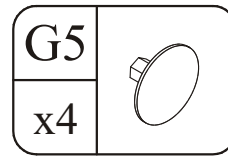
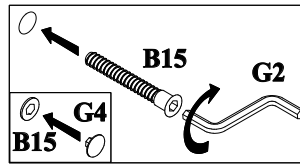
13



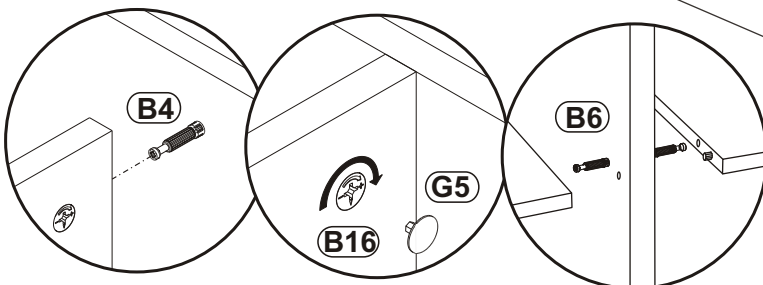
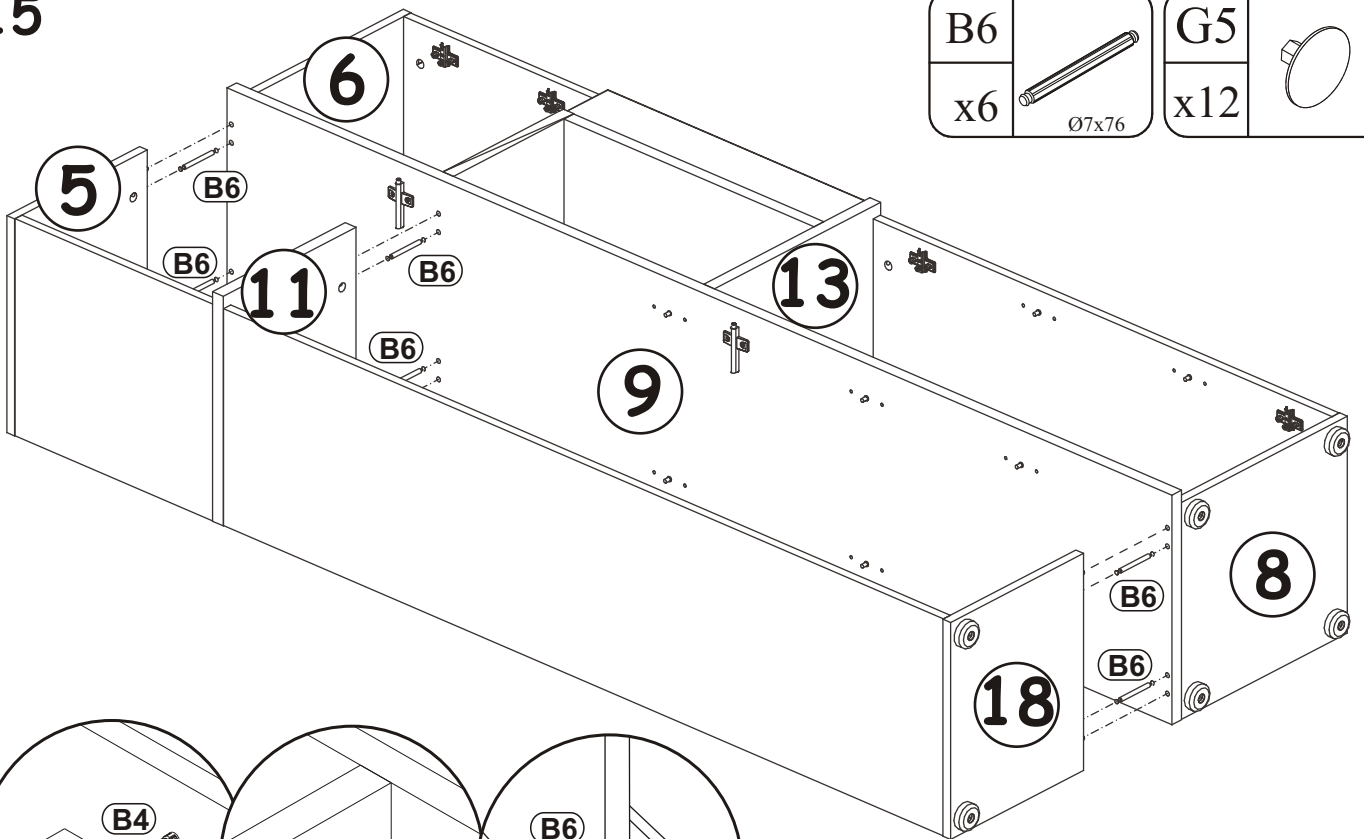
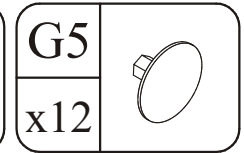
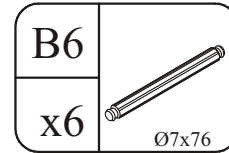
G5	
x8	

CROSS 28PEWCS WSW

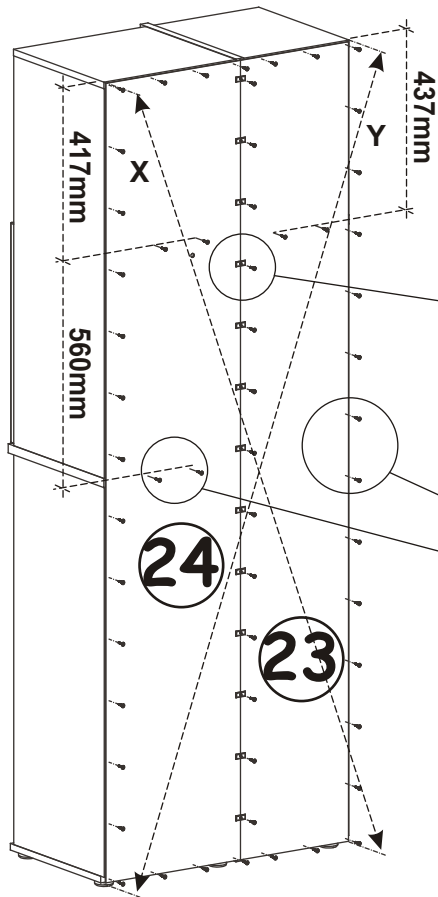
14



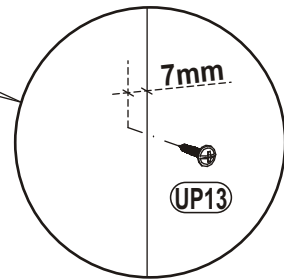
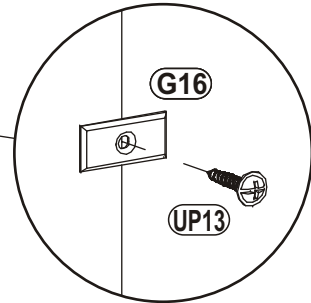
15



16

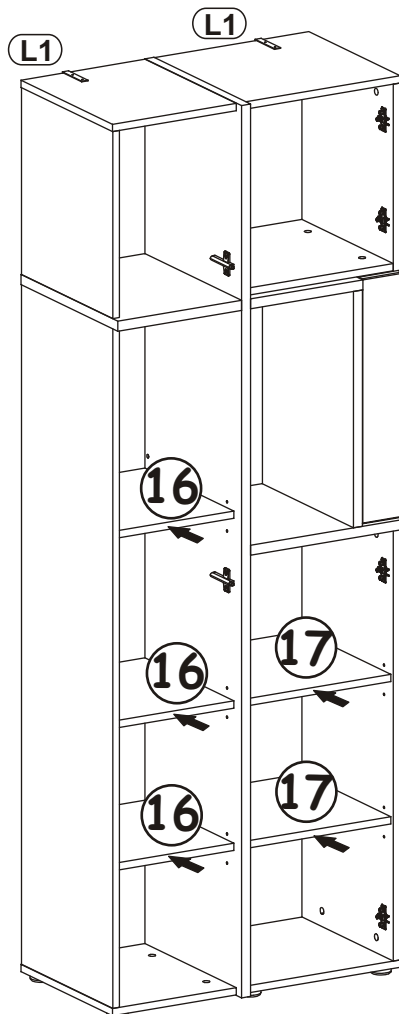


UP13		G16	
x54	UPØ3x16	x13	



17

- 1
- 2
- 3
- 4



L1		KR1	
x2		x2	

18

