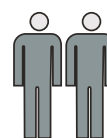
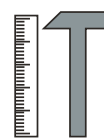
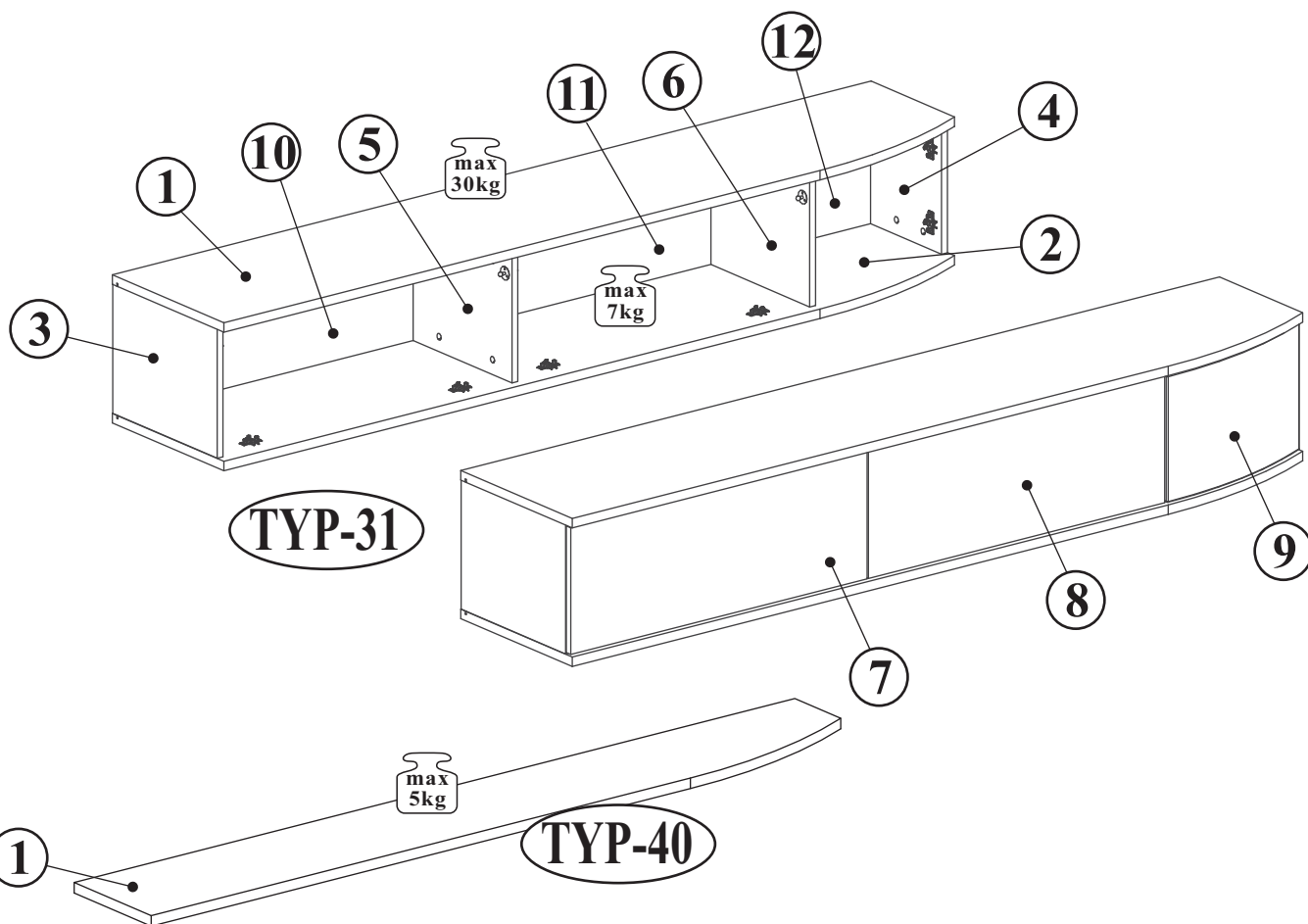
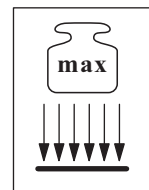
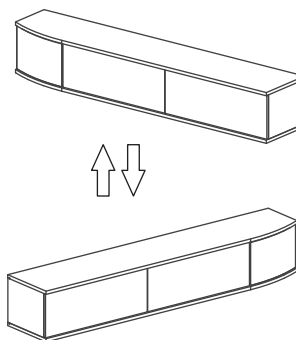
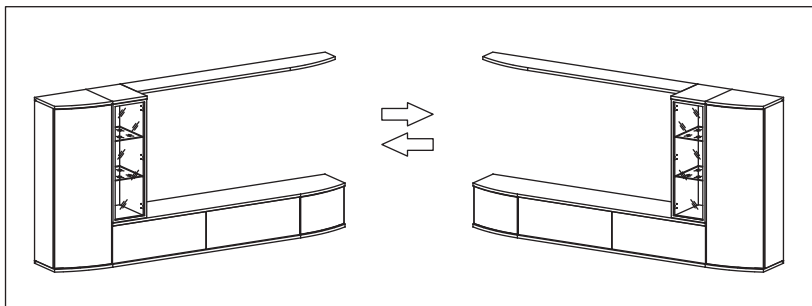


# DARK 20\_DK TYP-31 ; TYP-40



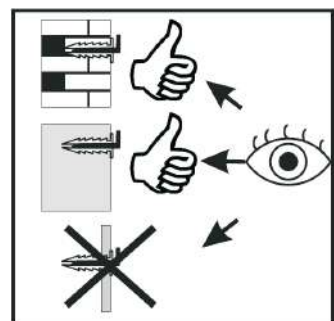
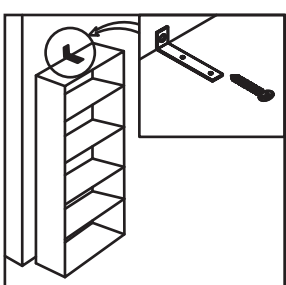
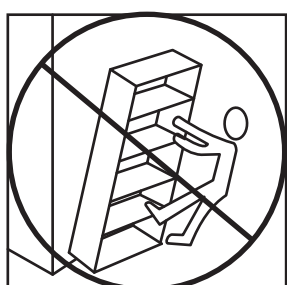
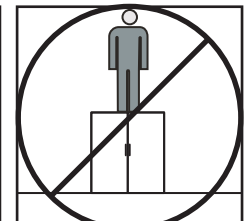
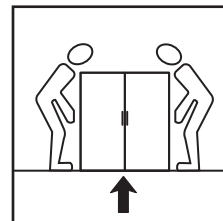
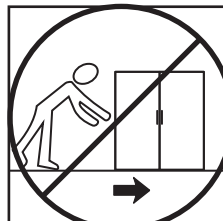
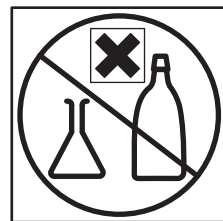
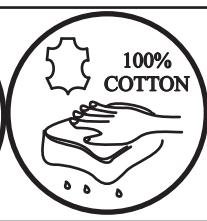
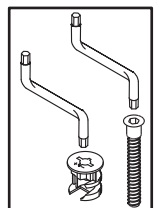
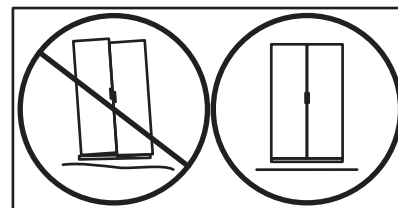
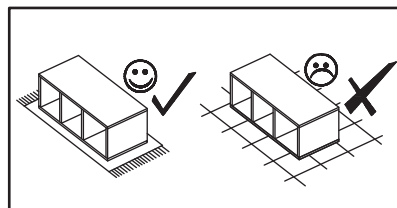
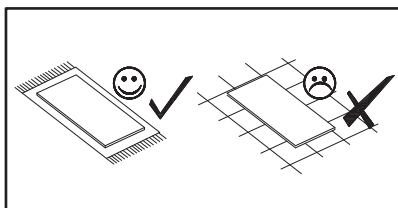
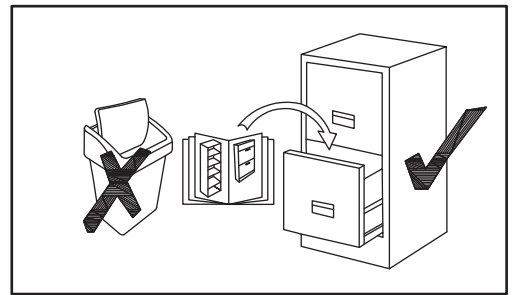
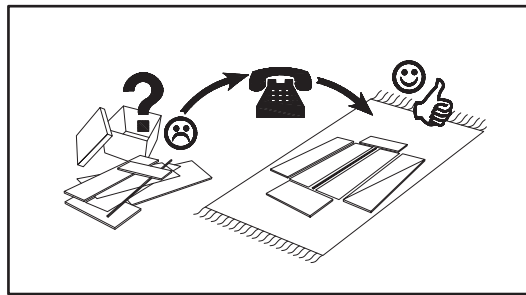
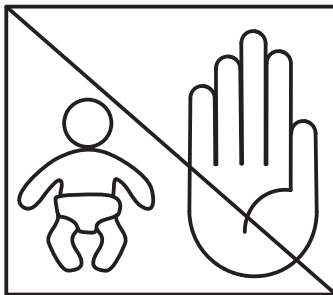
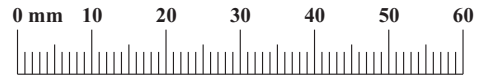
90 min

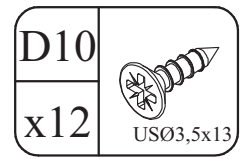
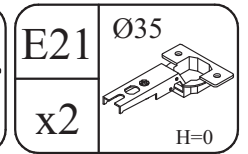
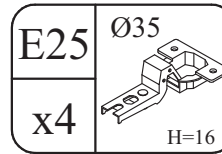
NO	Dim.			Col-No	Qty
3	300	375	16	1	1
4	300	275	16	1	1
5	300	355	16	1	1
6	300	355	16	1	1
7	820	294	16	1	1
8	820	294	16	1	1
9	456	294	19	1	1

NO	Dim.			Col-No	Qty
1	2100	400	22	2	1
2	2100	400	22	2	1
10	814	312	3	2	1
11	824	312	3	2	1
12	440	312	3	2	1
1	1800	250	22	2	1

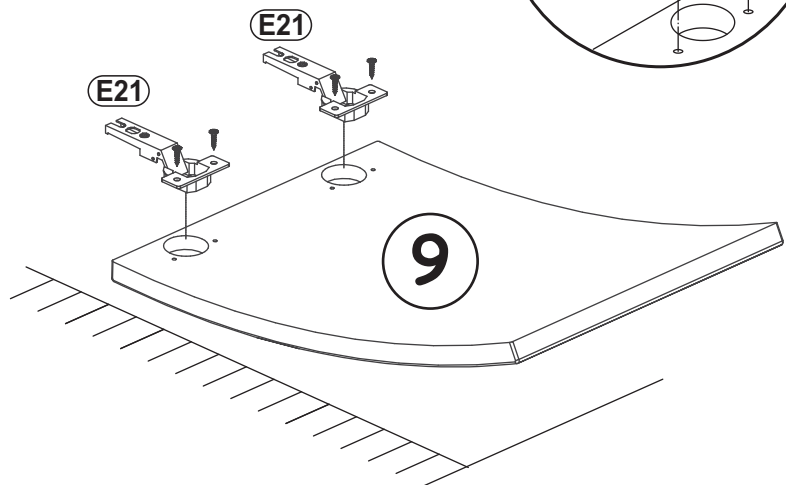
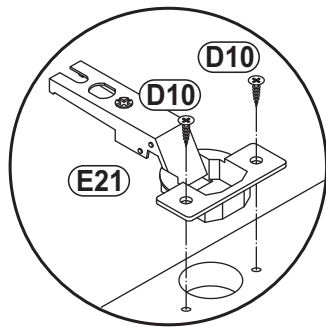
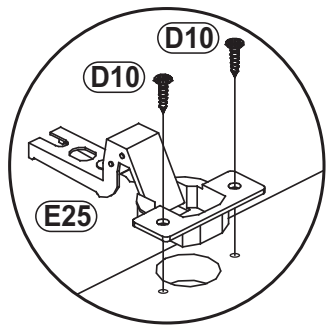
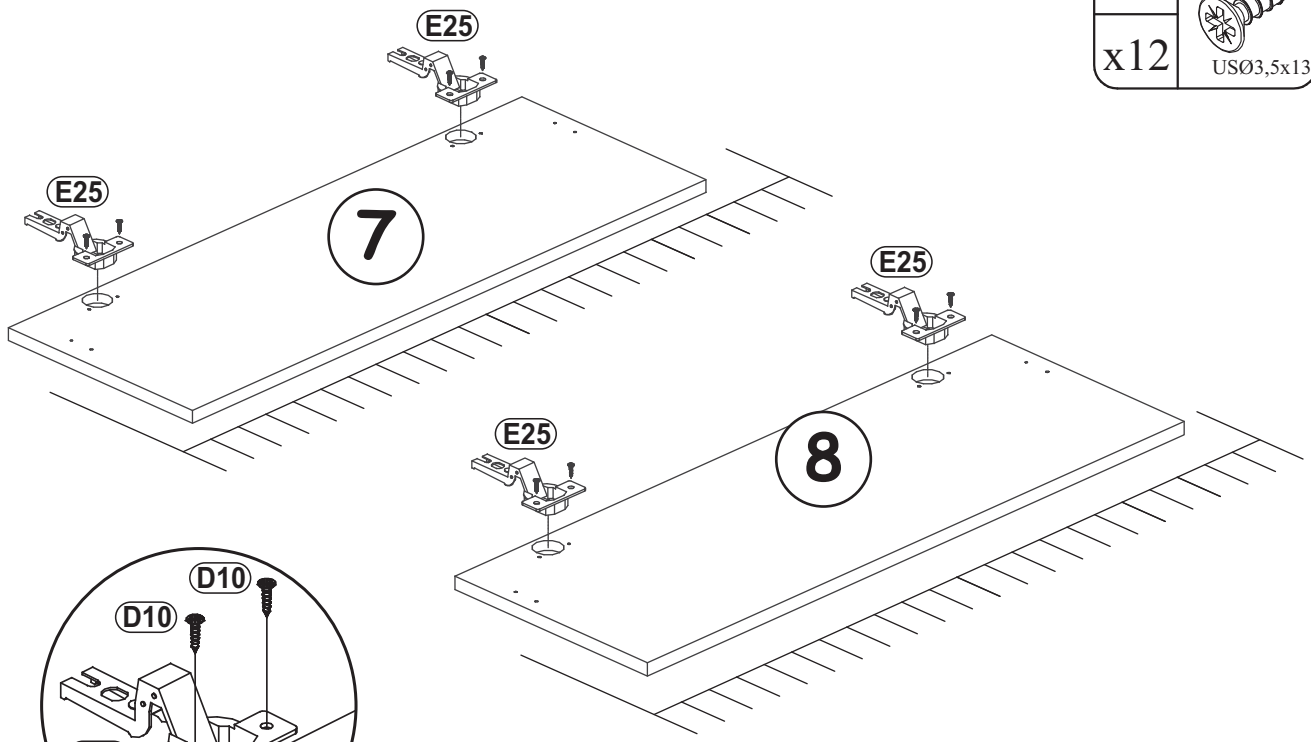
DARK 20 \_DK TYP-31; TYP-40

A1 x16 ø8x36	B4 x16	B5 x16 ø15x12	G5 x16	UP13 x4 UPØ3x16	D10 x38 USØ3,5x13
T3 x2	S1 x16	KR3 x4 Ø10	E21 x2 Ø35 H=0	E2 x2 H=0	T1 x1
G2 x1	ZXL x2	ZXP x2	B01 x4	PP1 x4	E4 x4 H=2
E25 x4 Ø35 H=16	G16 x4	Z5 x8 Ø10	Z2 x8 Ø5		

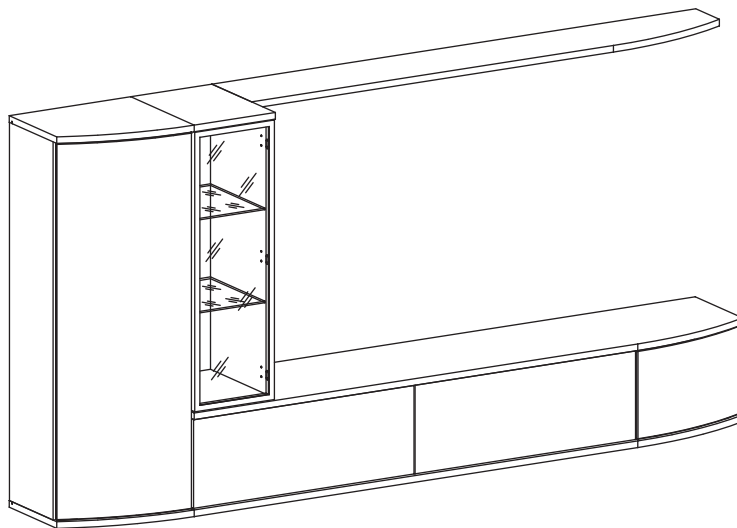




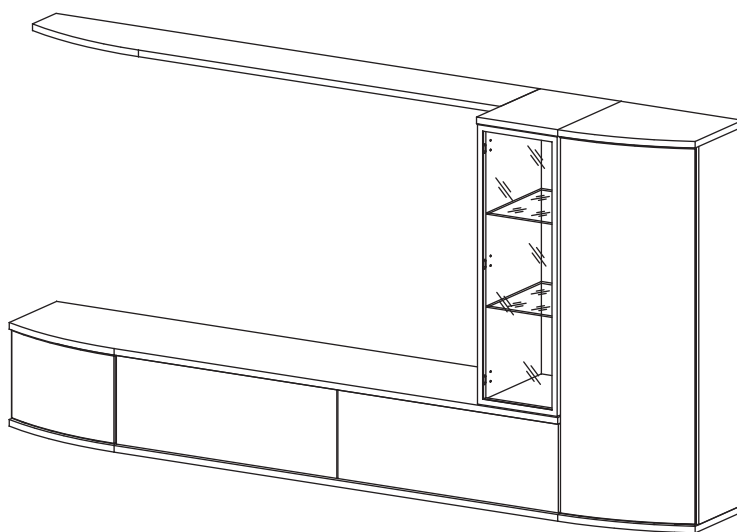
1



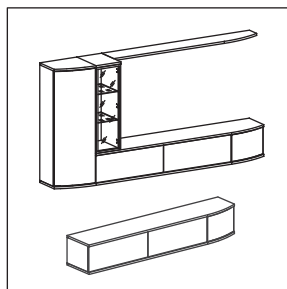
**2 - 10**



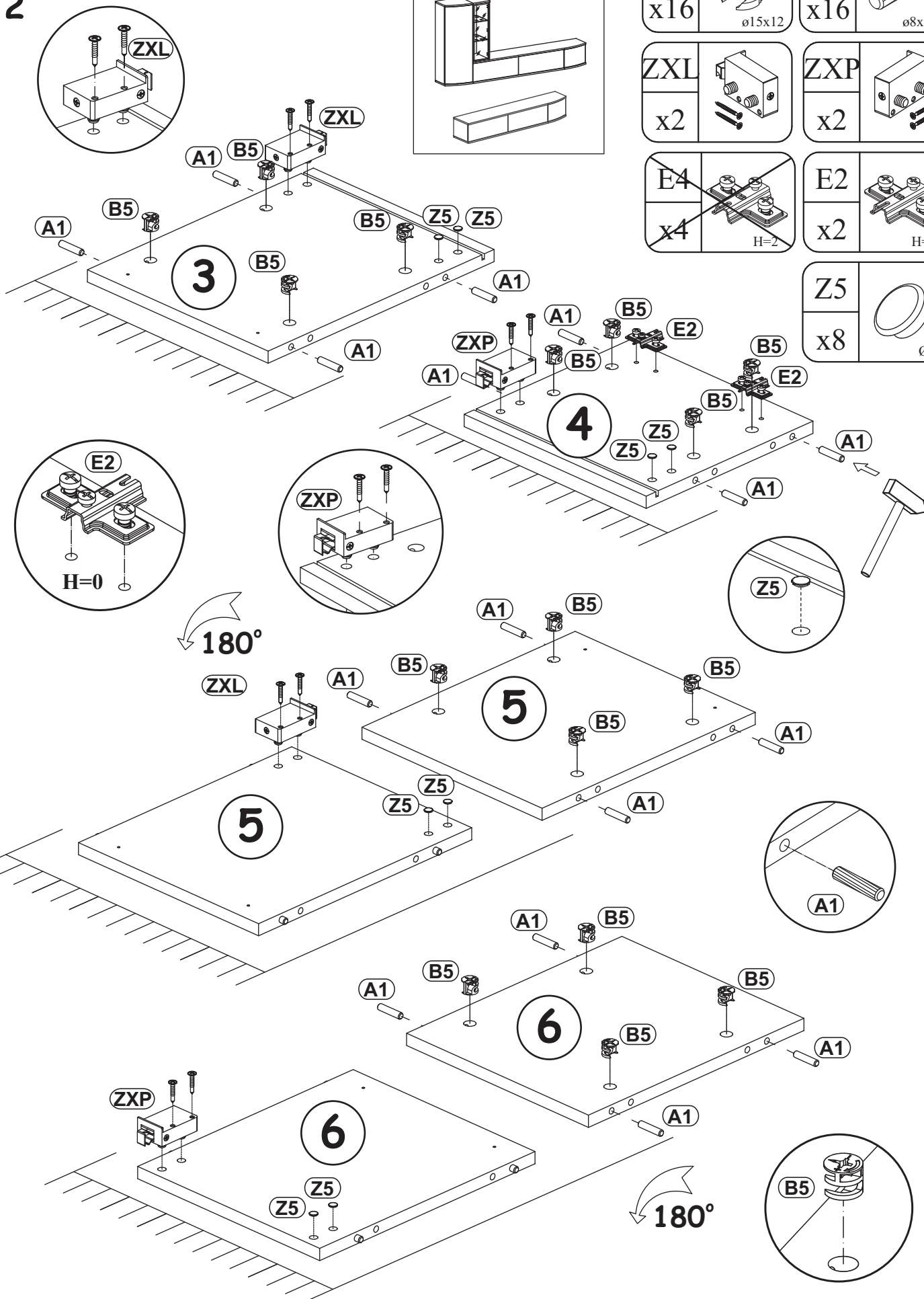
**11 - 19**



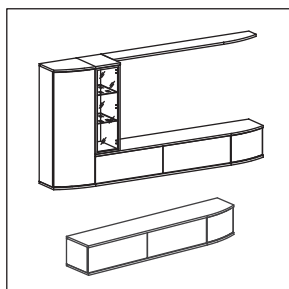
2



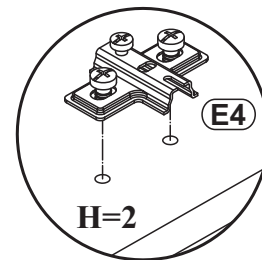
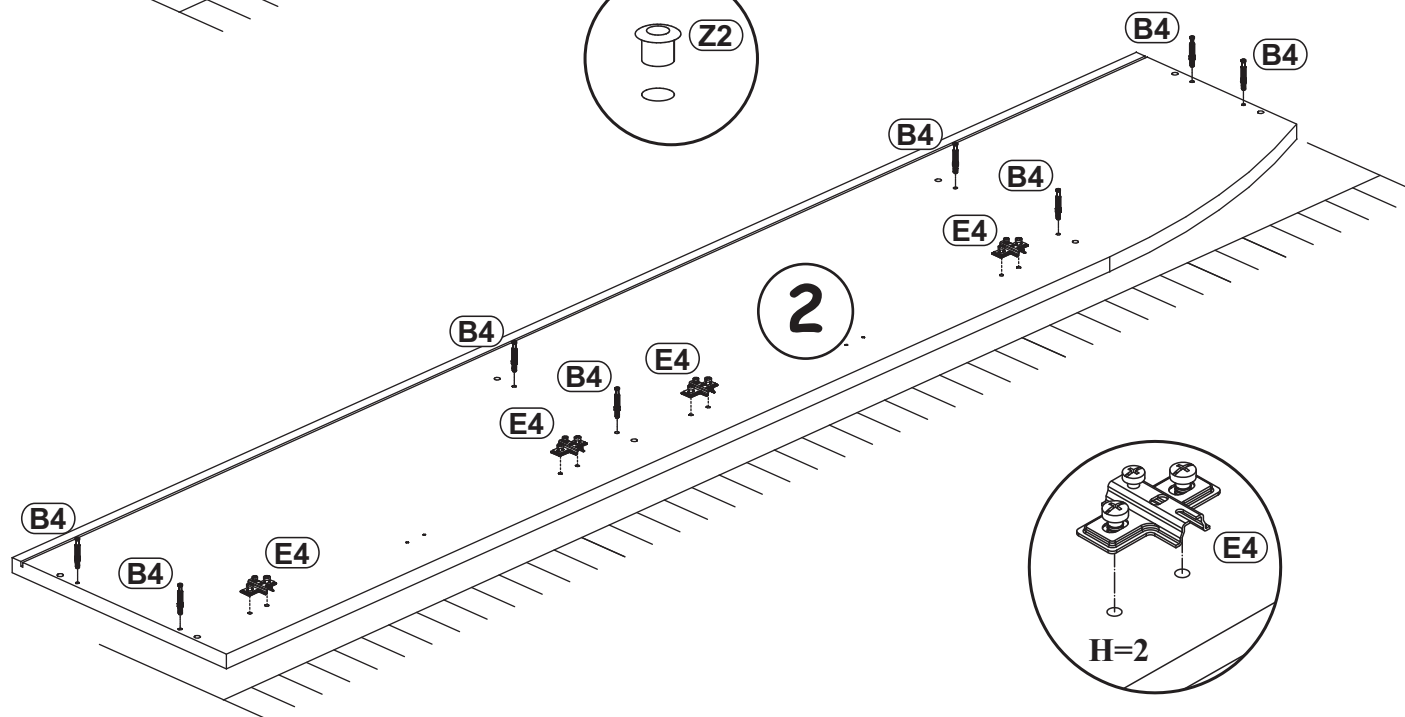
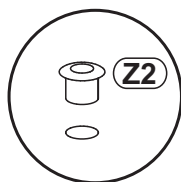
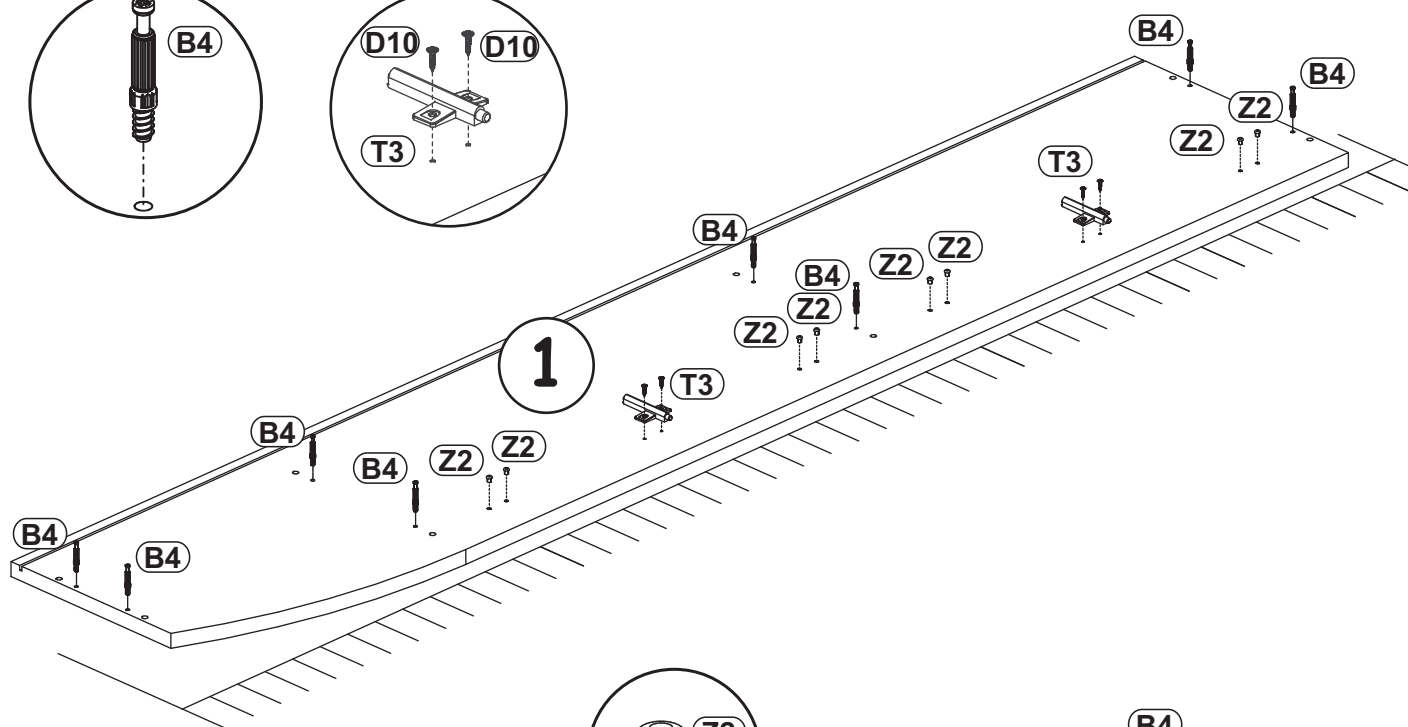
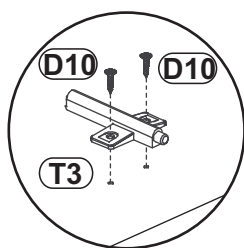
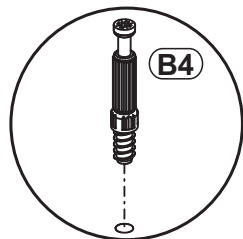
B5 x16	 ø15x12	A1 x16	 ø8x36
ZXL x2		ZXP x2	
E4 x4	 H=2	E2 x2	 H=0
Z5 x8	 ø10		

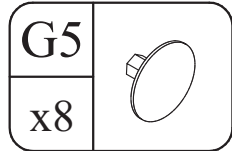


3

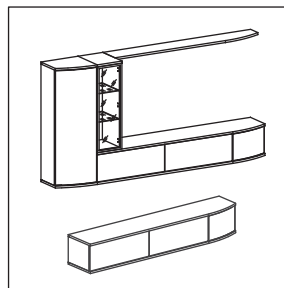
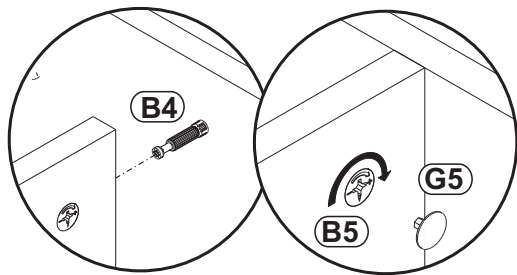


T3		D10		B4	
x2		x4	USØ3,5x13	x16	
Z2		E4		E2	
x8	Ø5	x4	H=2	x2	H=0

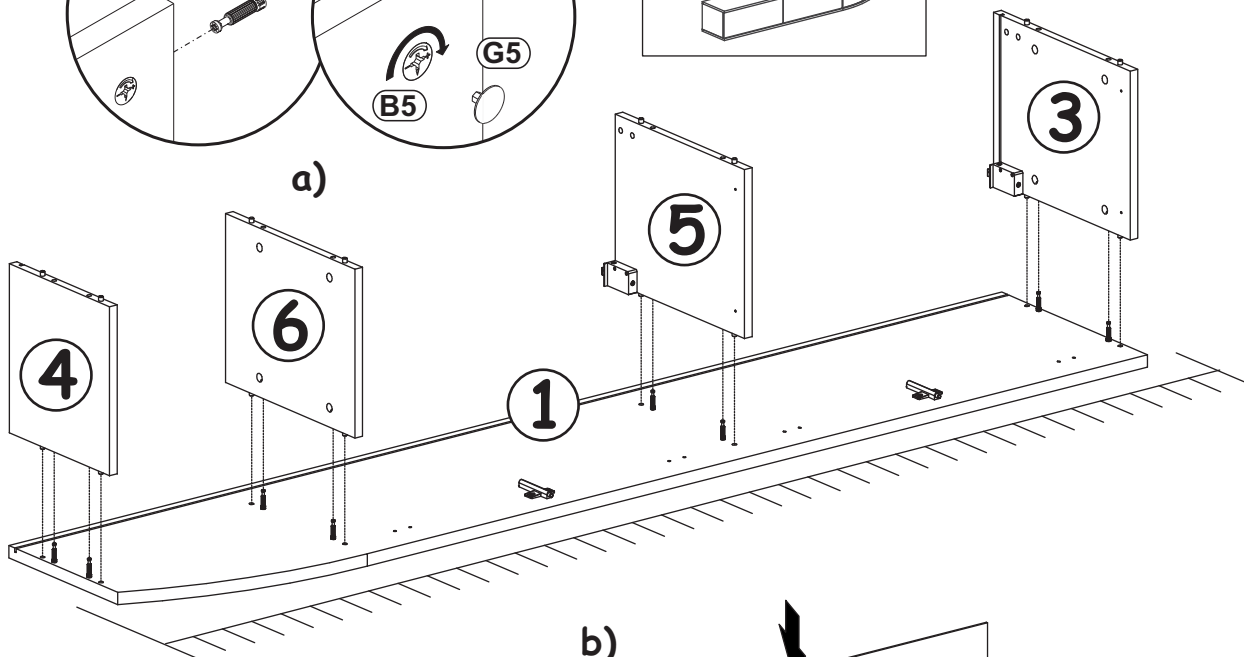




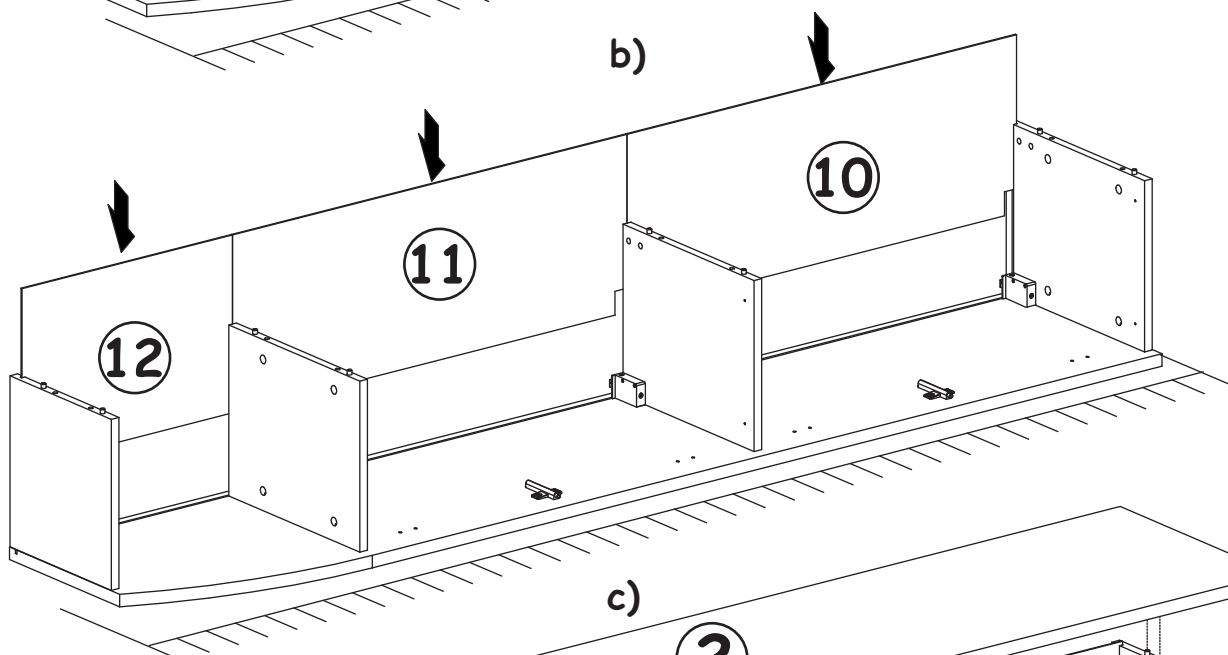
4



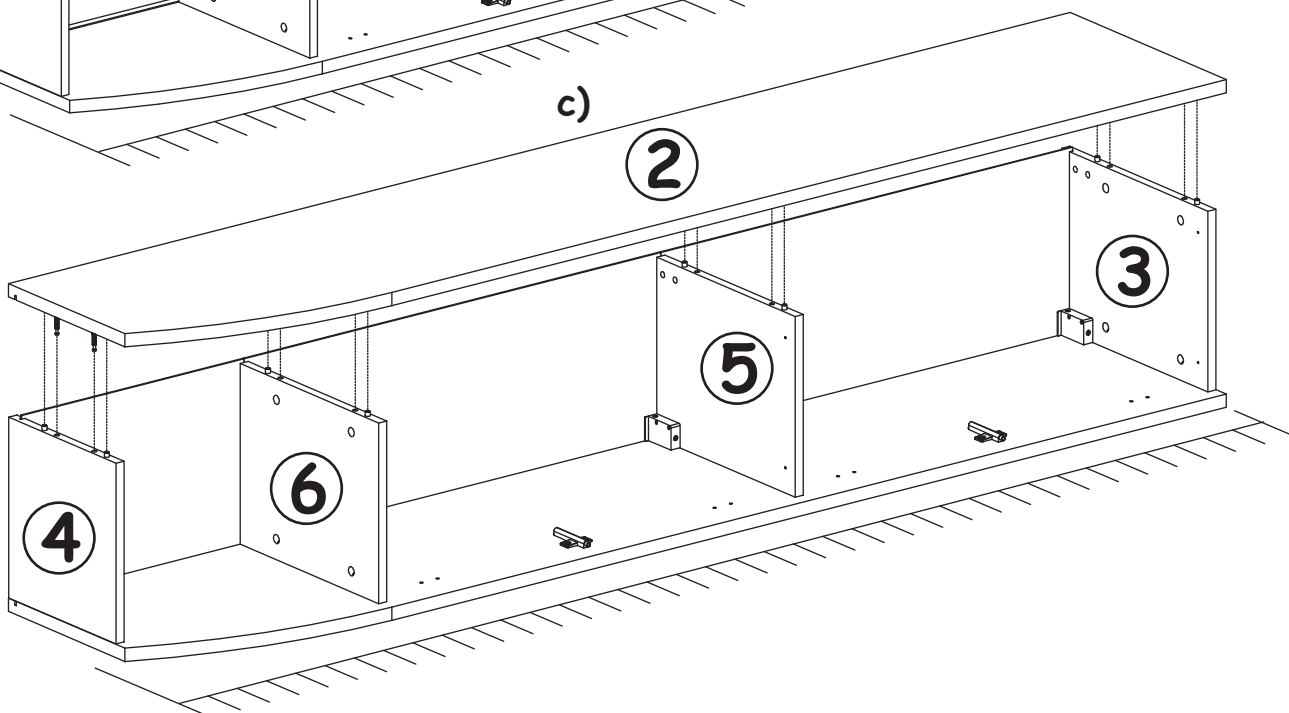
a)



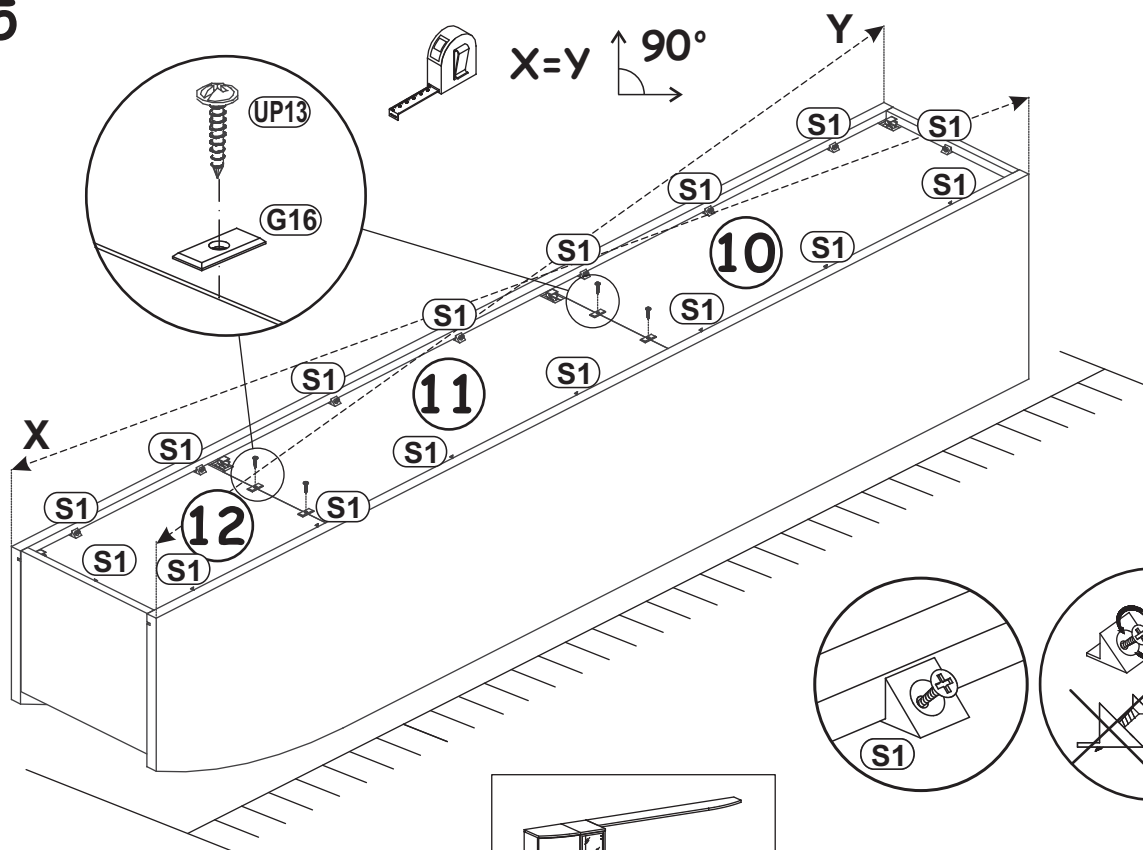
b)



c)



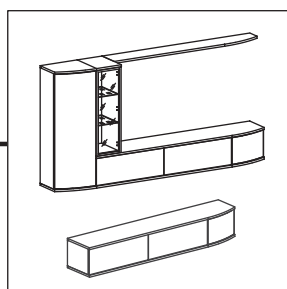
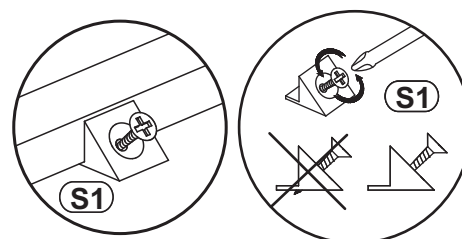
5



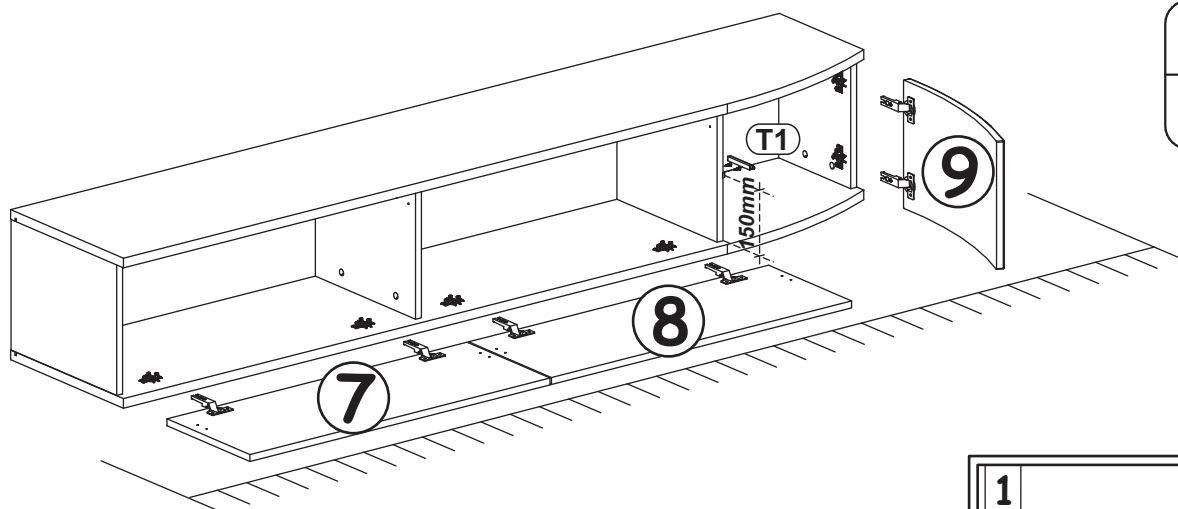
UP13	
x4	UPØ3x16

S1	
x16	

G16	
x4	

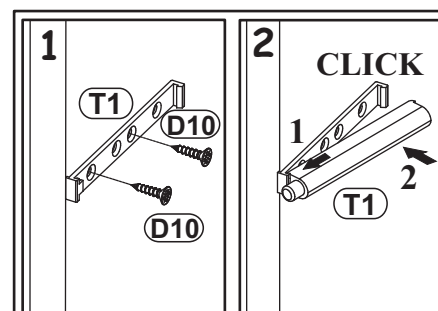
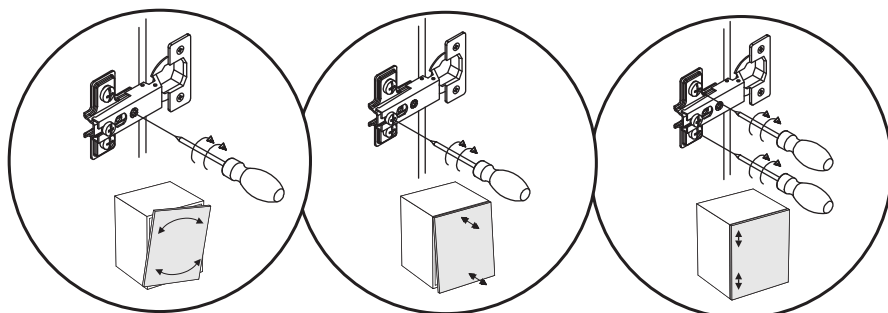


6



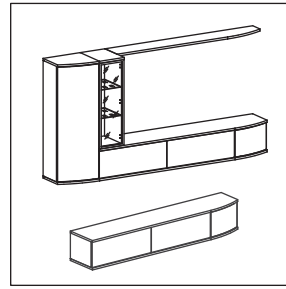
D10	
x2	USØ3,5x13

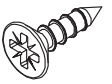
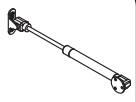
T1	
x1	

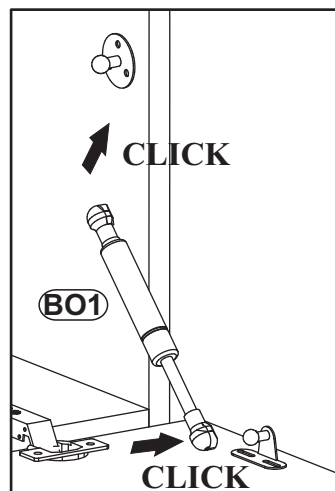
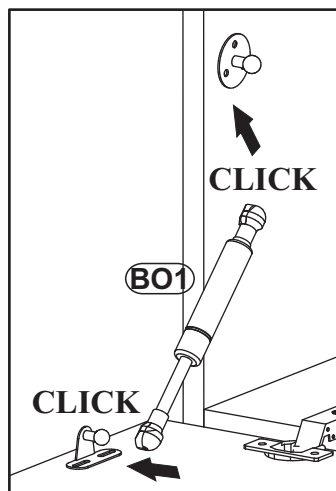
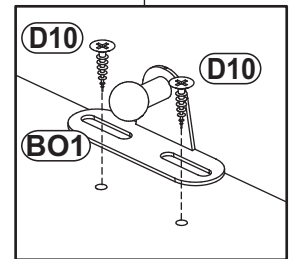
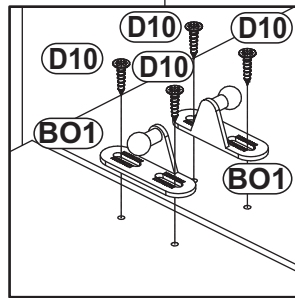
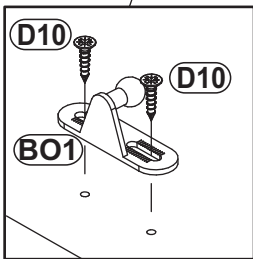
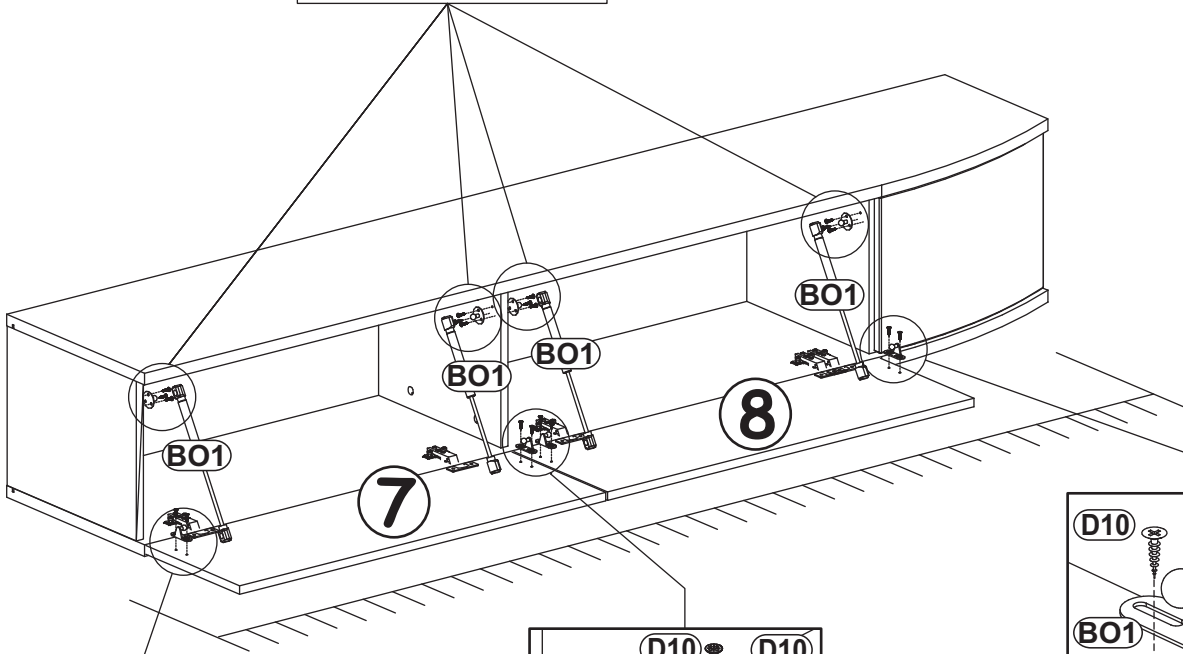
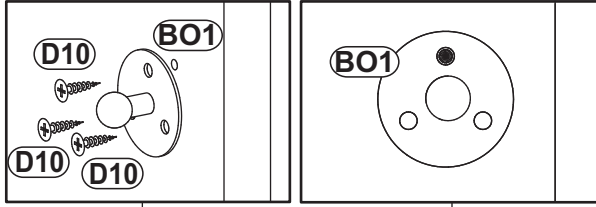




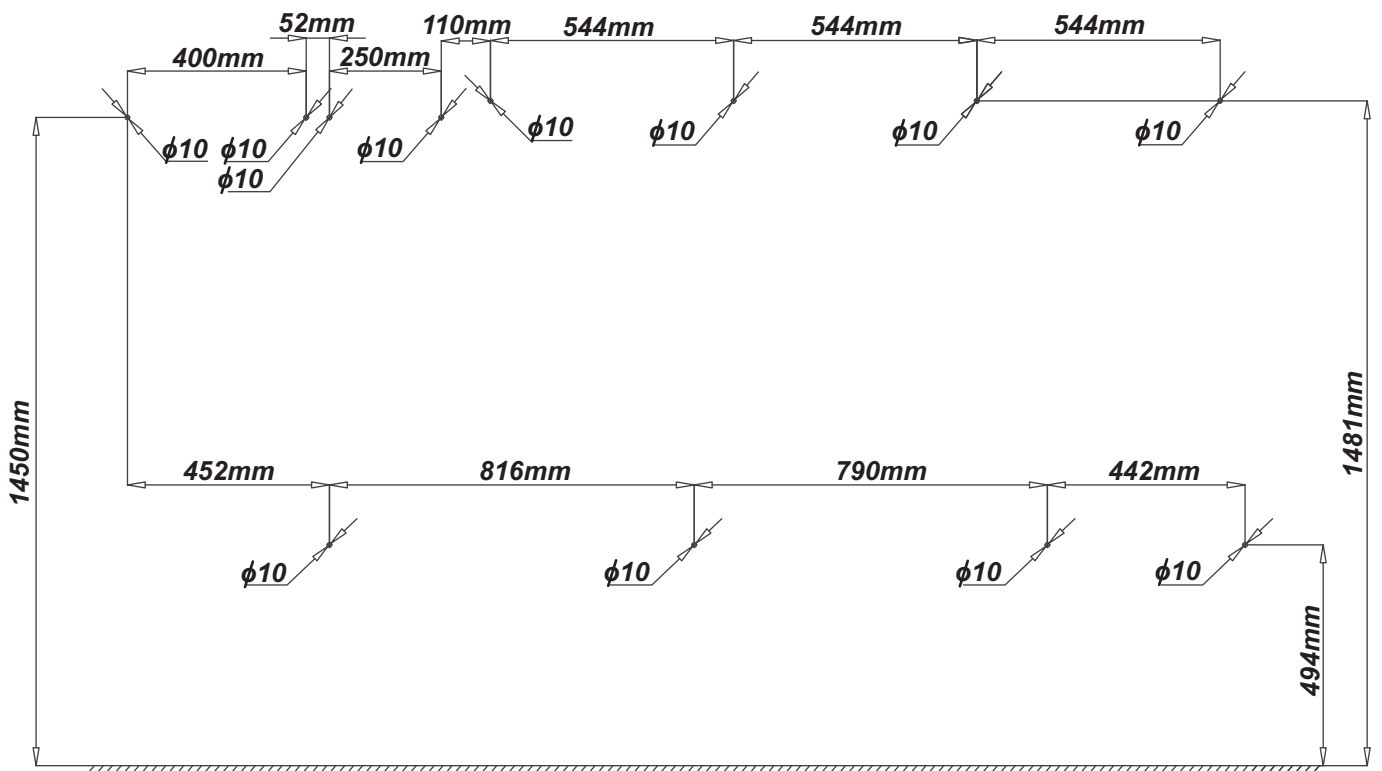
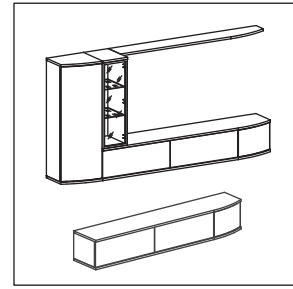
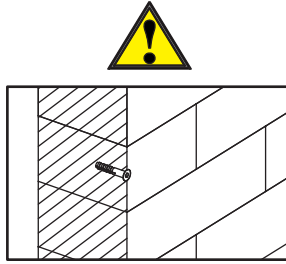
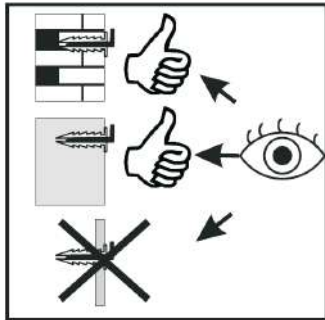
7



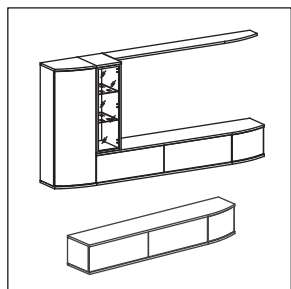
D10	 USØ3,5x13
x20	
B01	
x4	



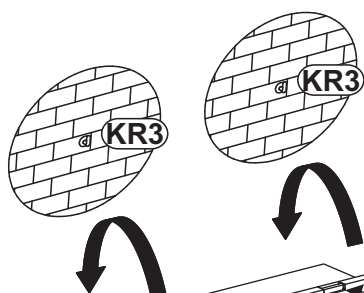
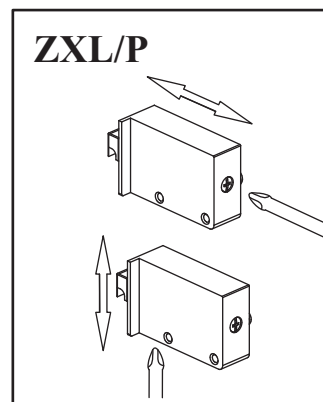
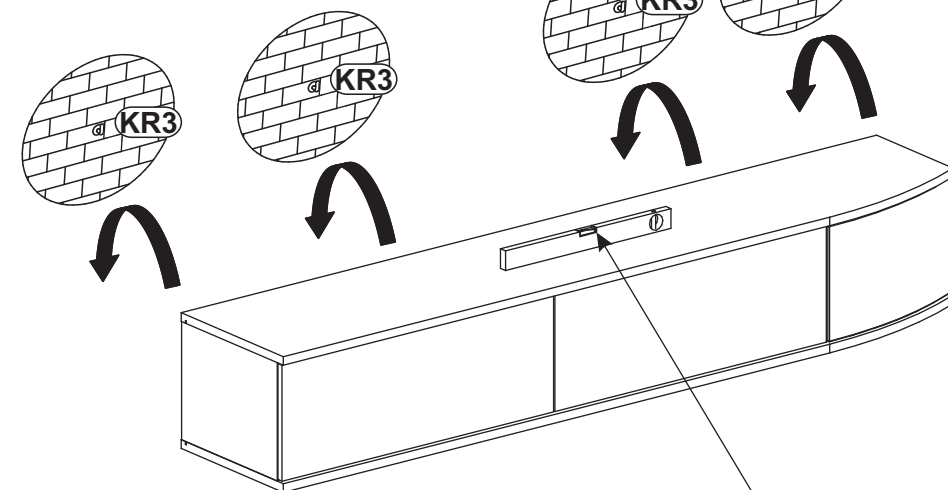
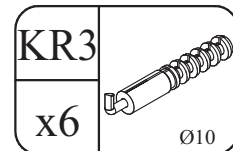
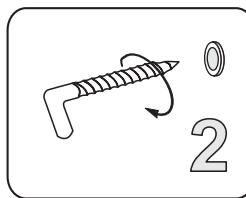
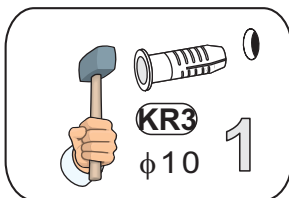
8



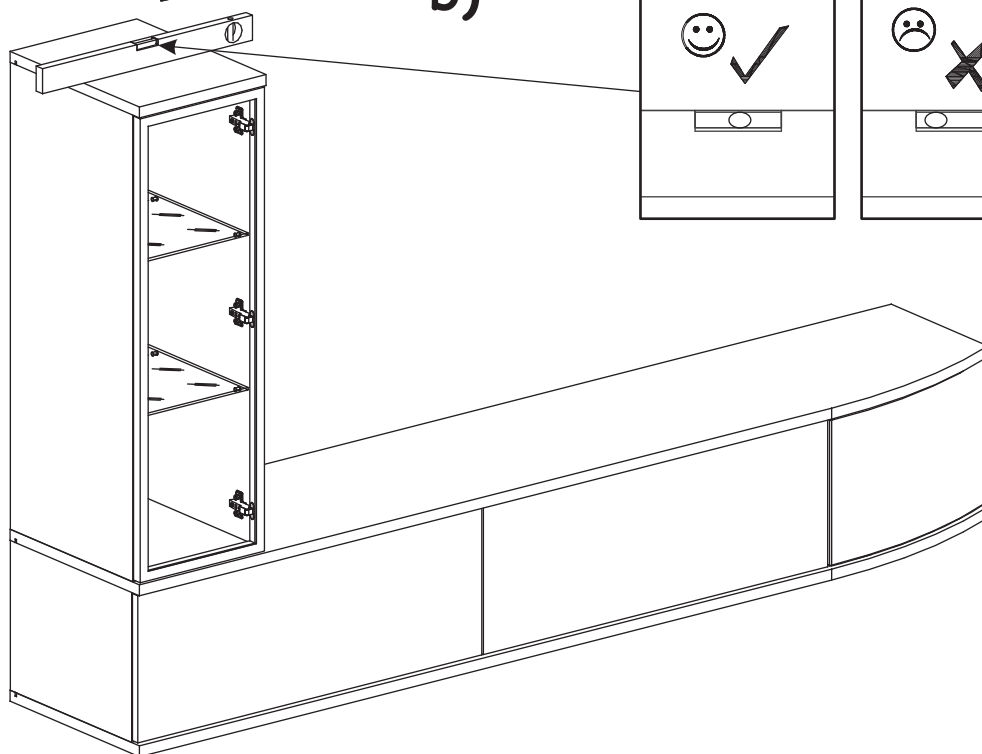
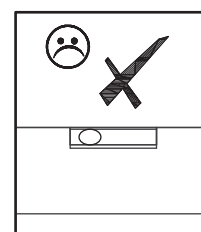
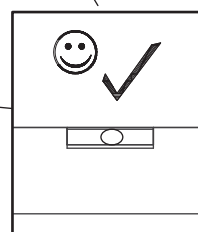
9



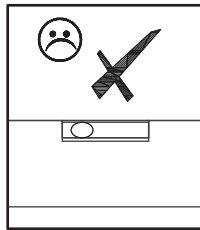
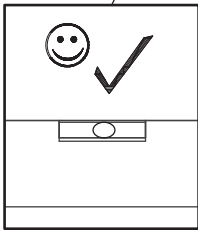
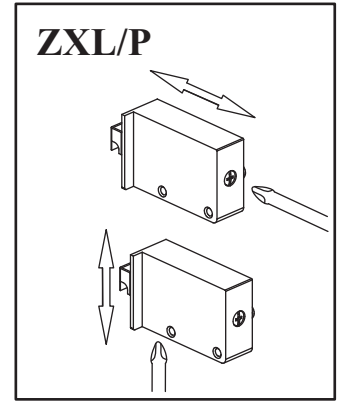
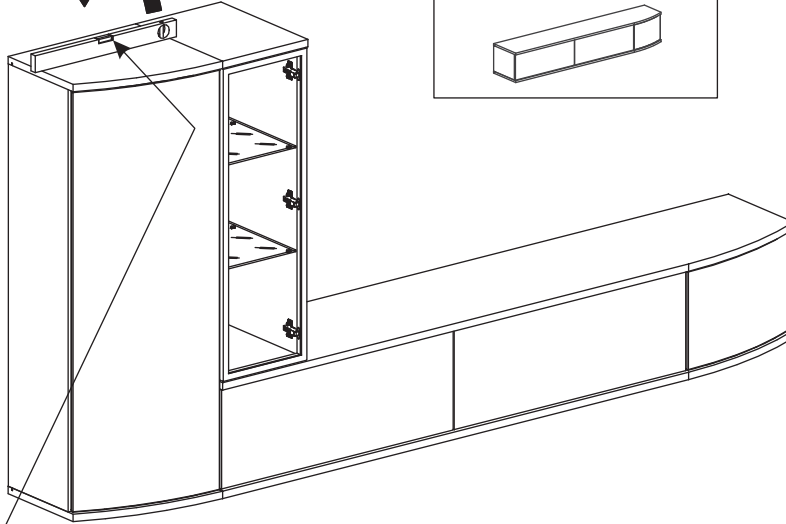
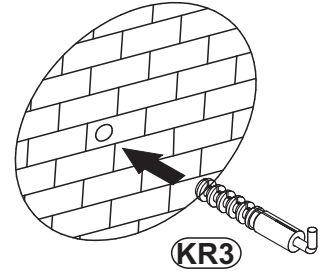
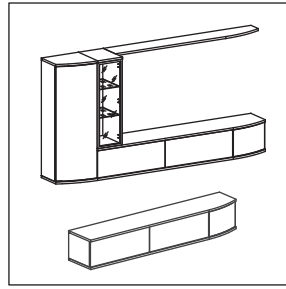
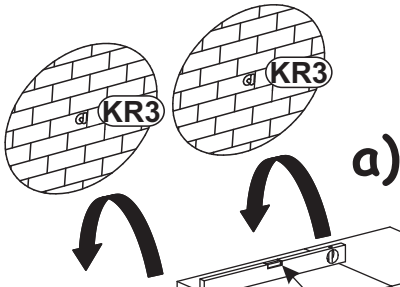
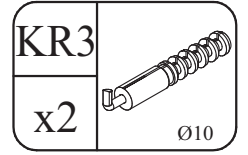
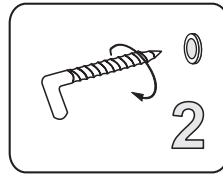
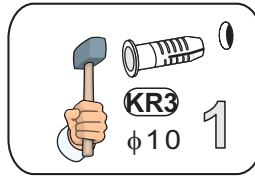
a)



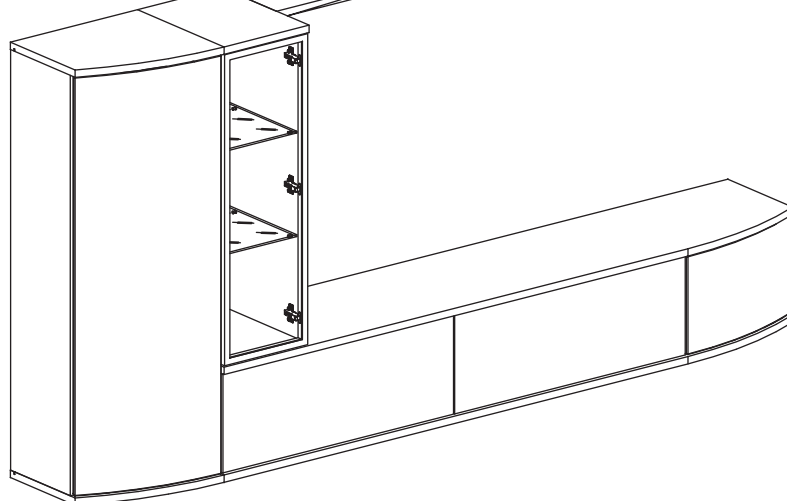
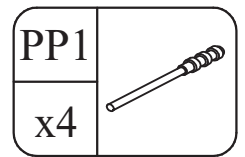
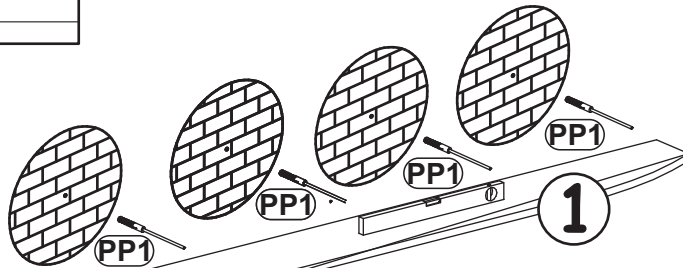
b)



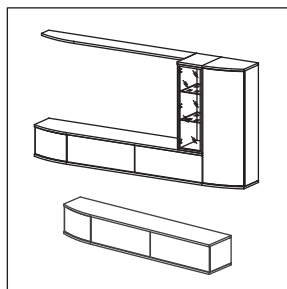
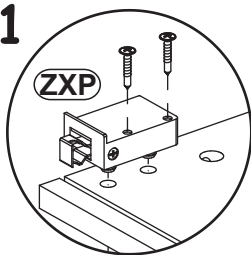
10

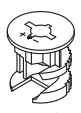
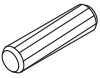
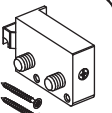
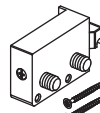
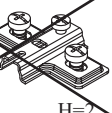
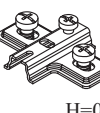



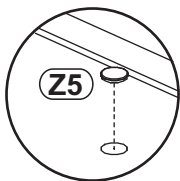
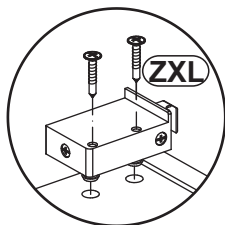
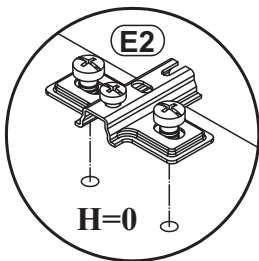
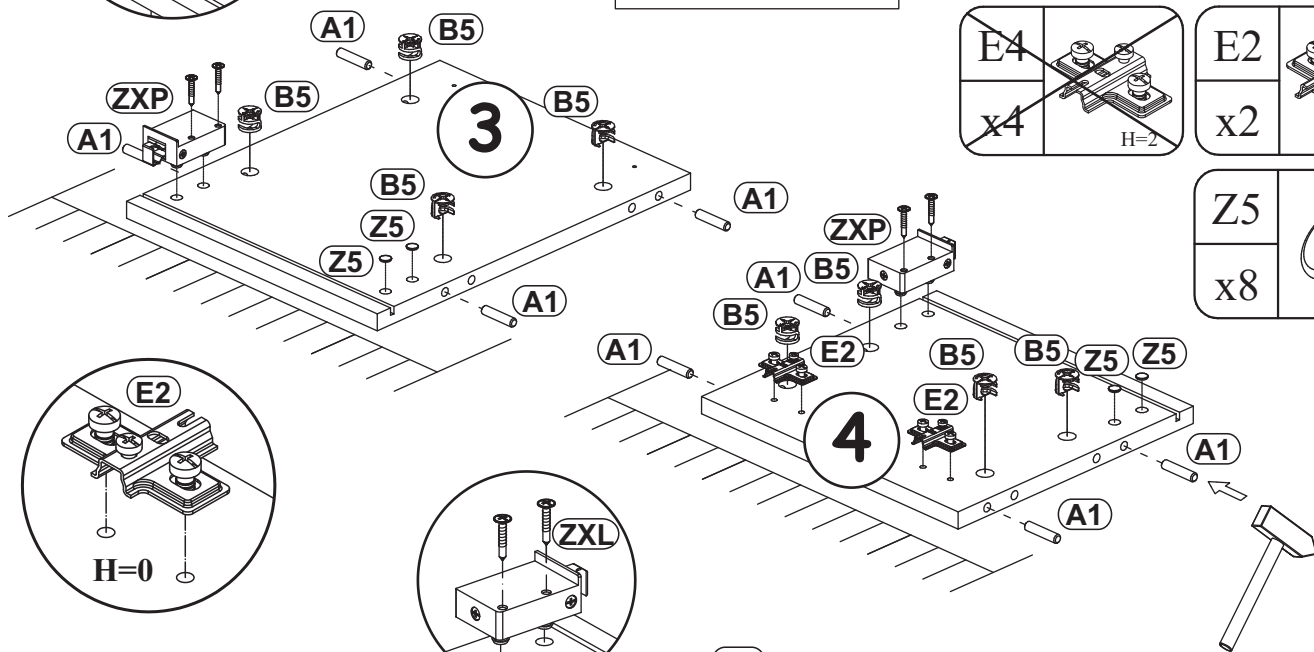
b)



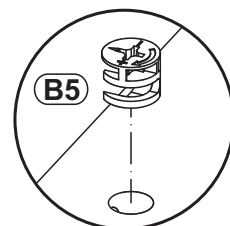
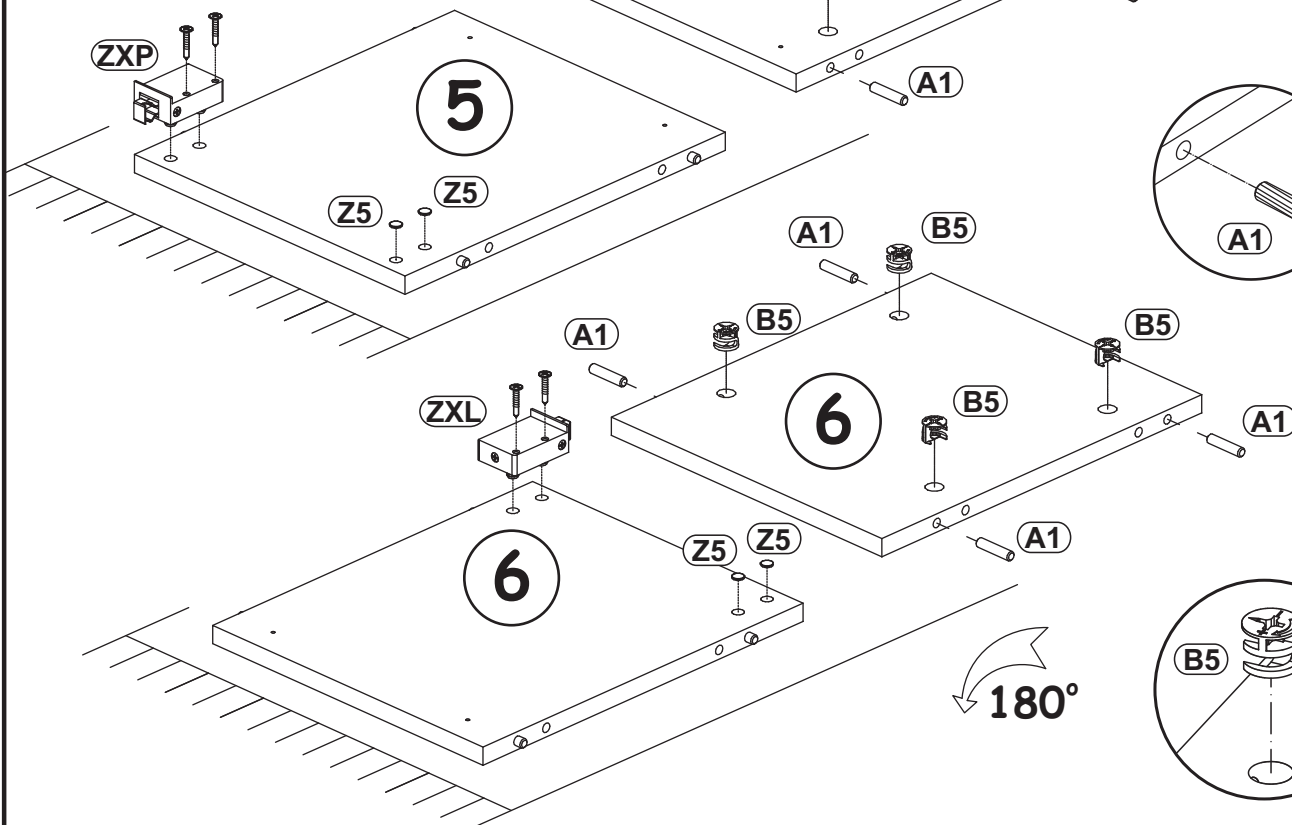
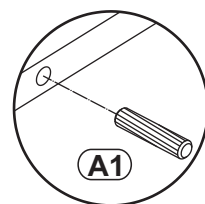
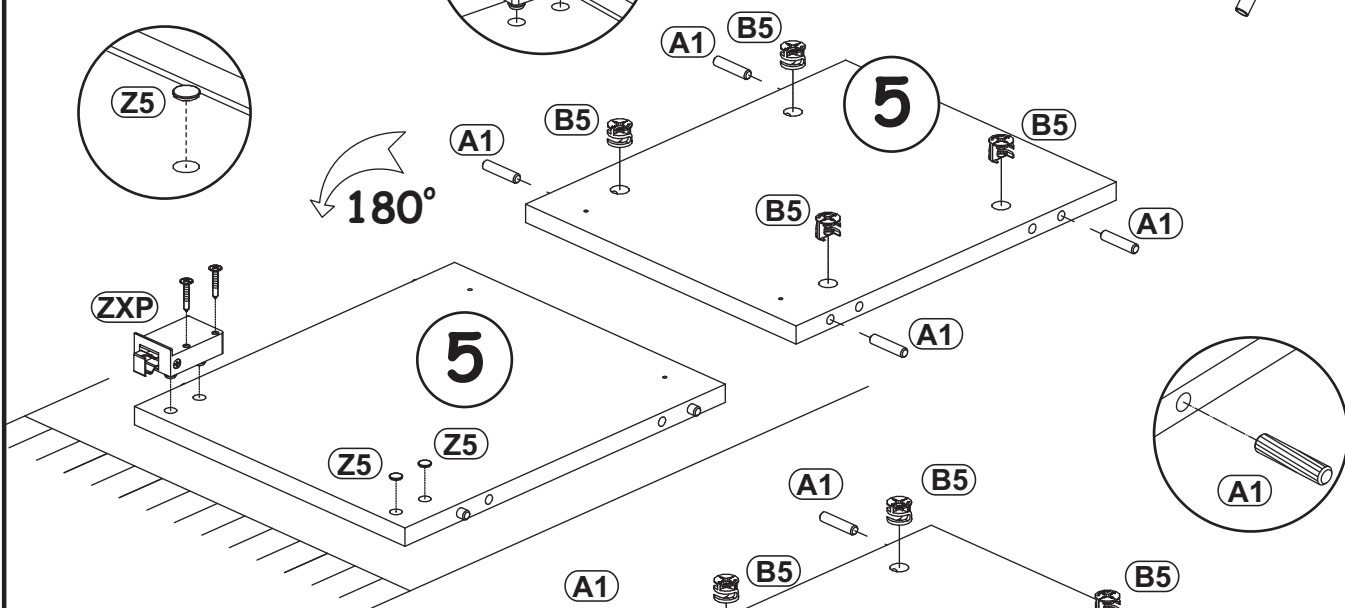
11



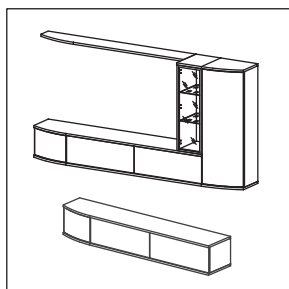
B5 x16	 ø15x12	A1 x16	 ø8x36
ZXL x2		ZXP x2	
<del>E4 x4</del>	<del> H=2</del>	E2 x2	 H=0
Z5 x8	 ø10		



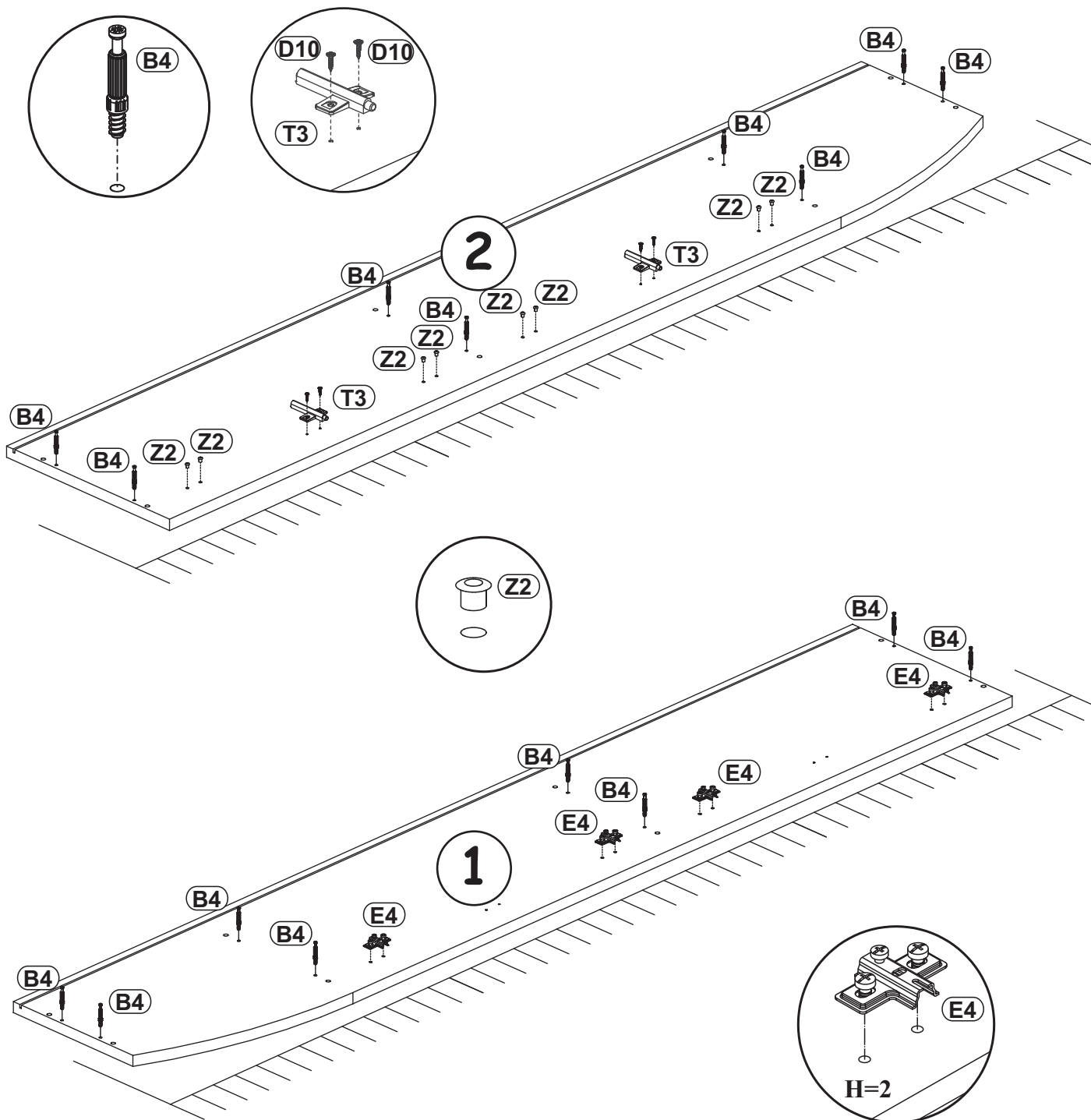
180°



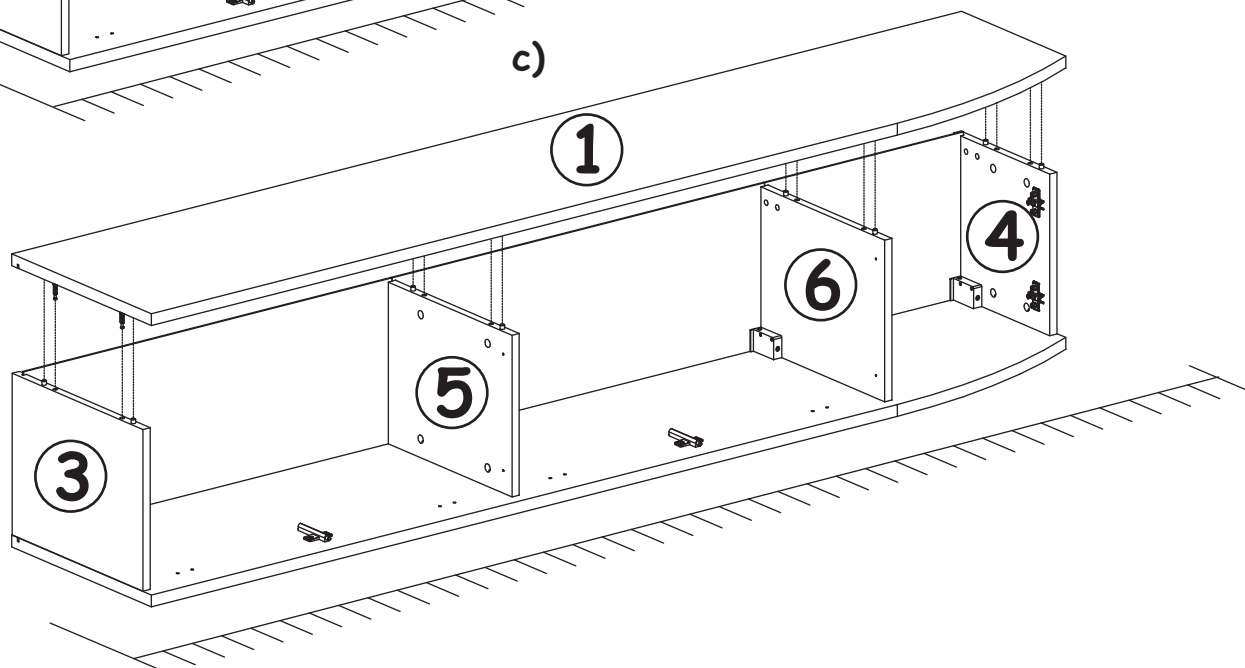
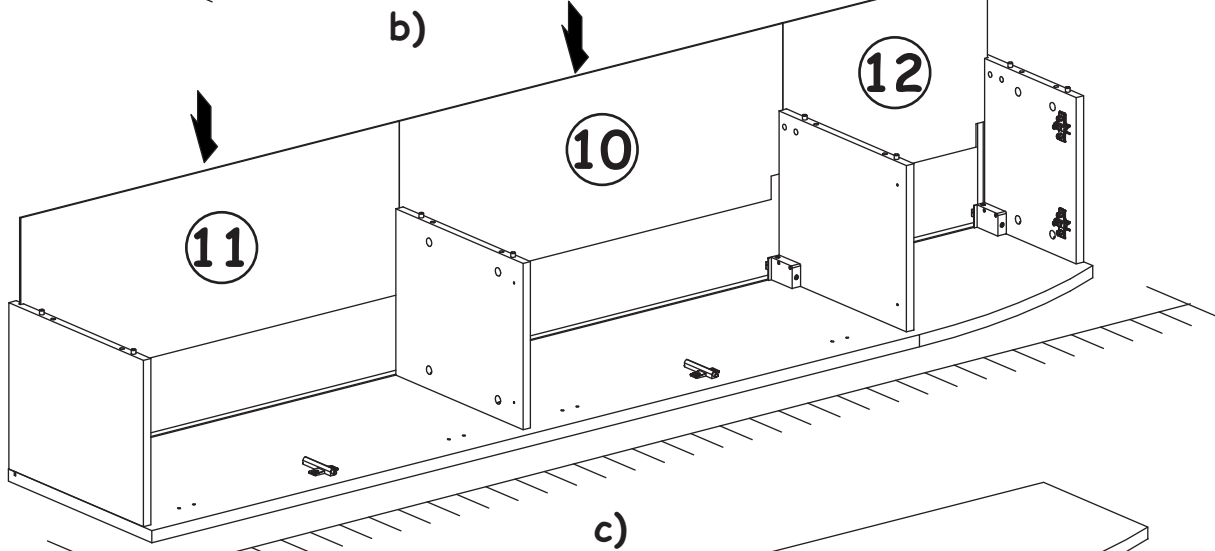
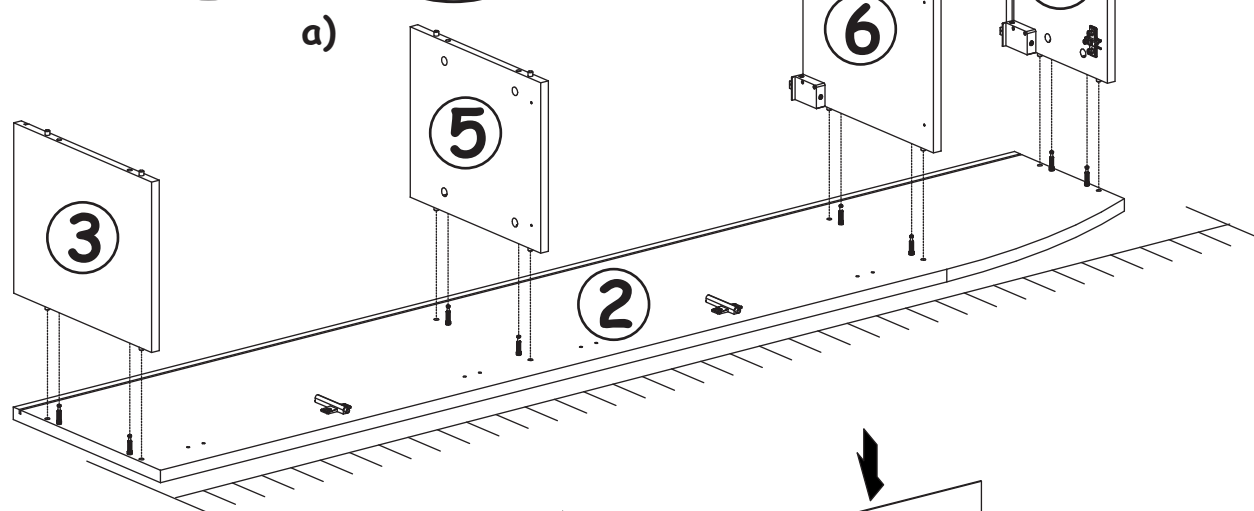
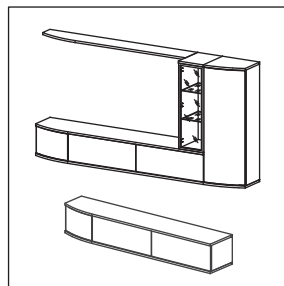
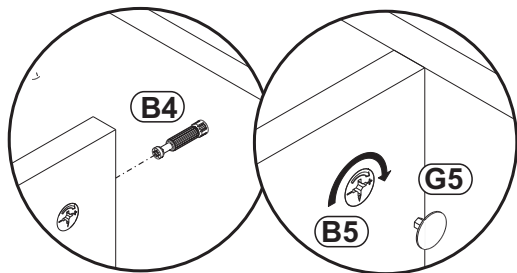
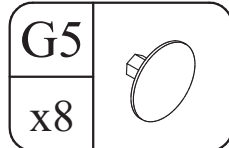
12



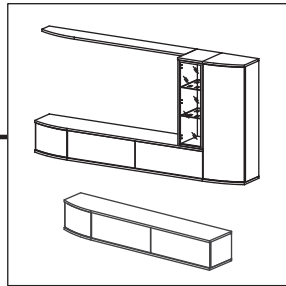
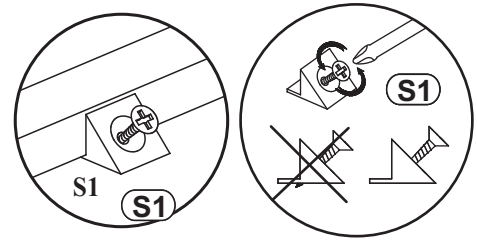
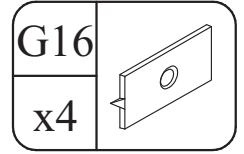
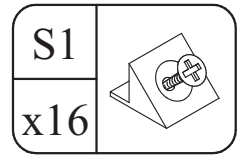
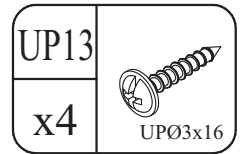
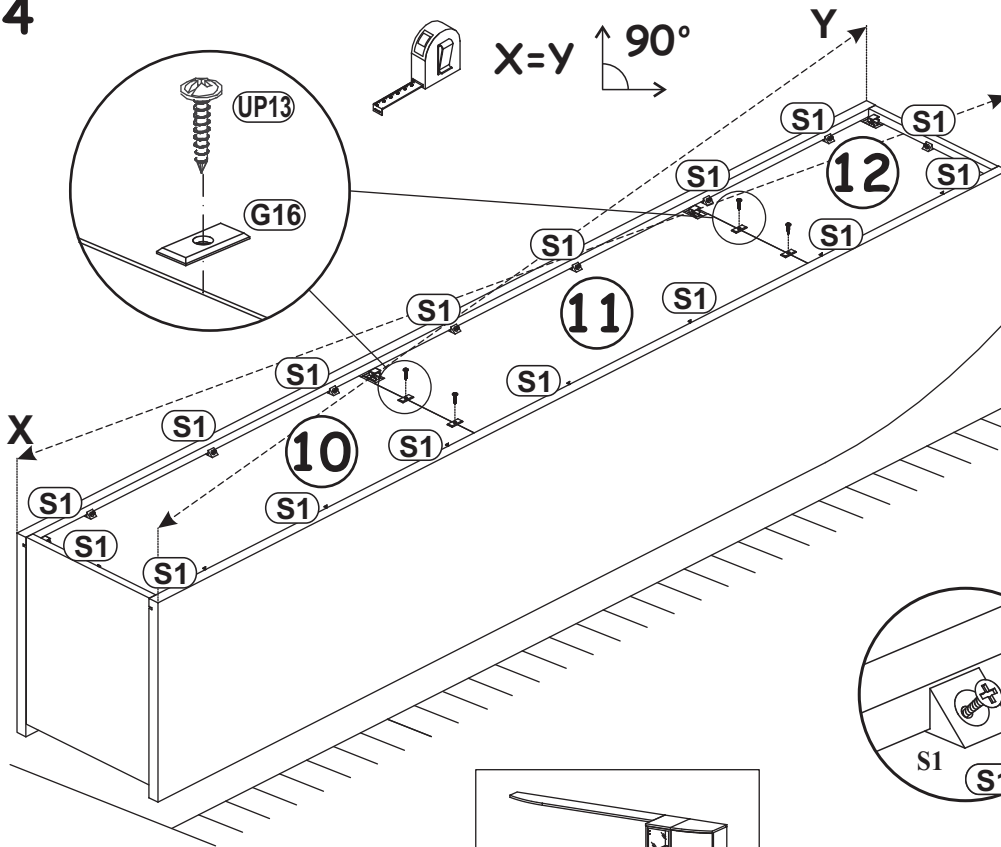
T3		D10		B4	
x2		x4	USØ3,5x13	x16	
Z2		E4		E2	
x8	Ø5	x4	H=2	x2	H=0



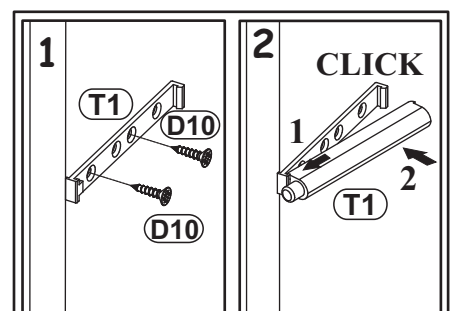
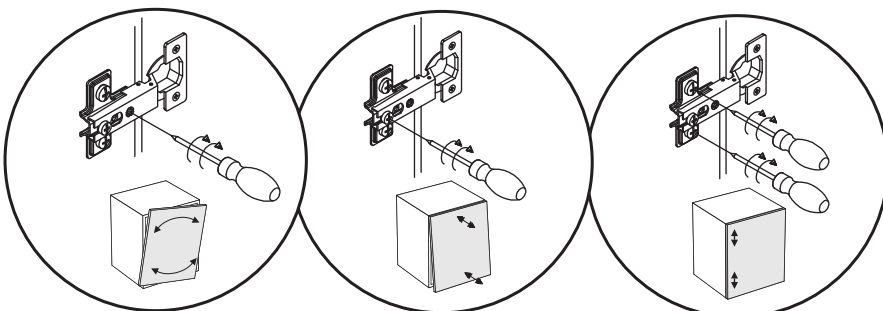
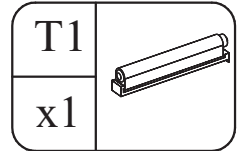
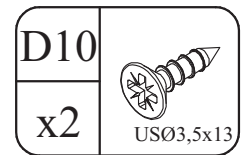
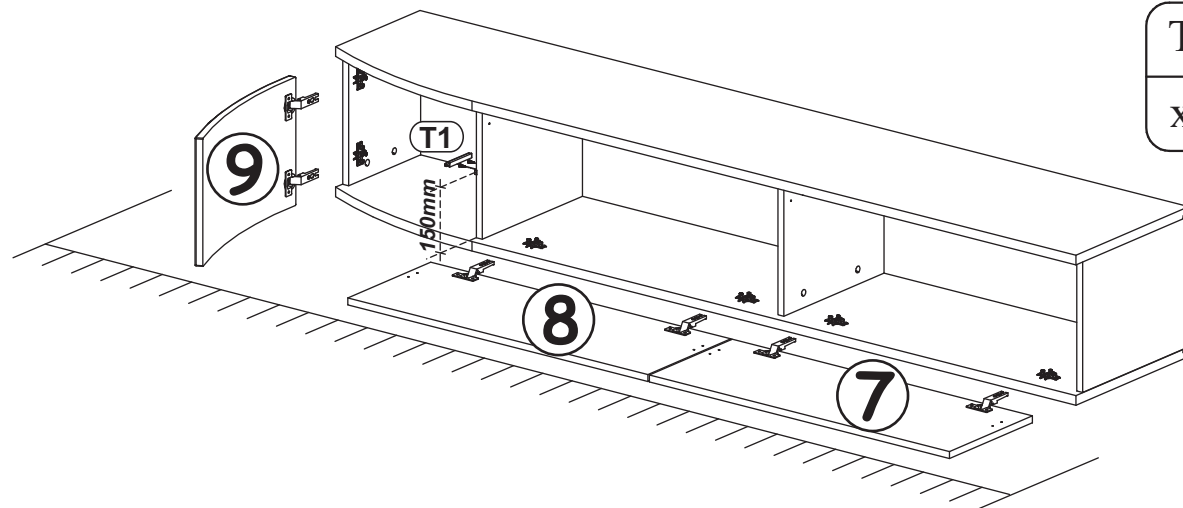
13



14

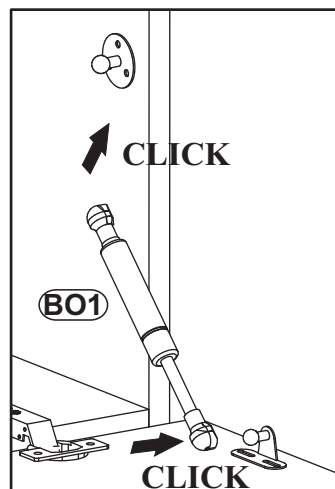
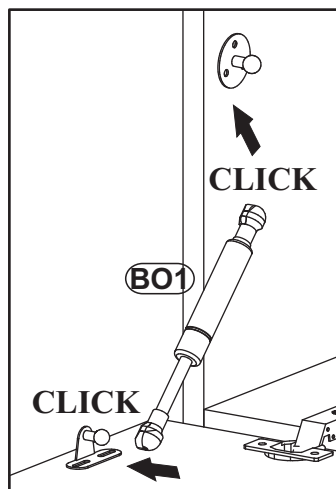
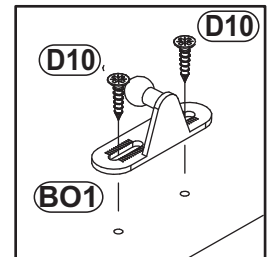
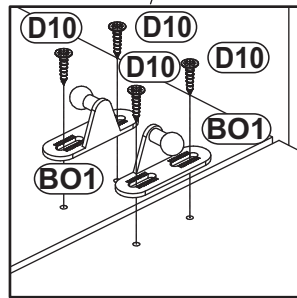
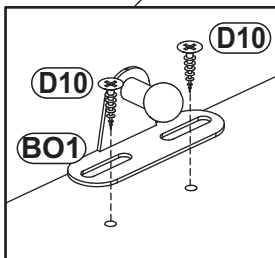
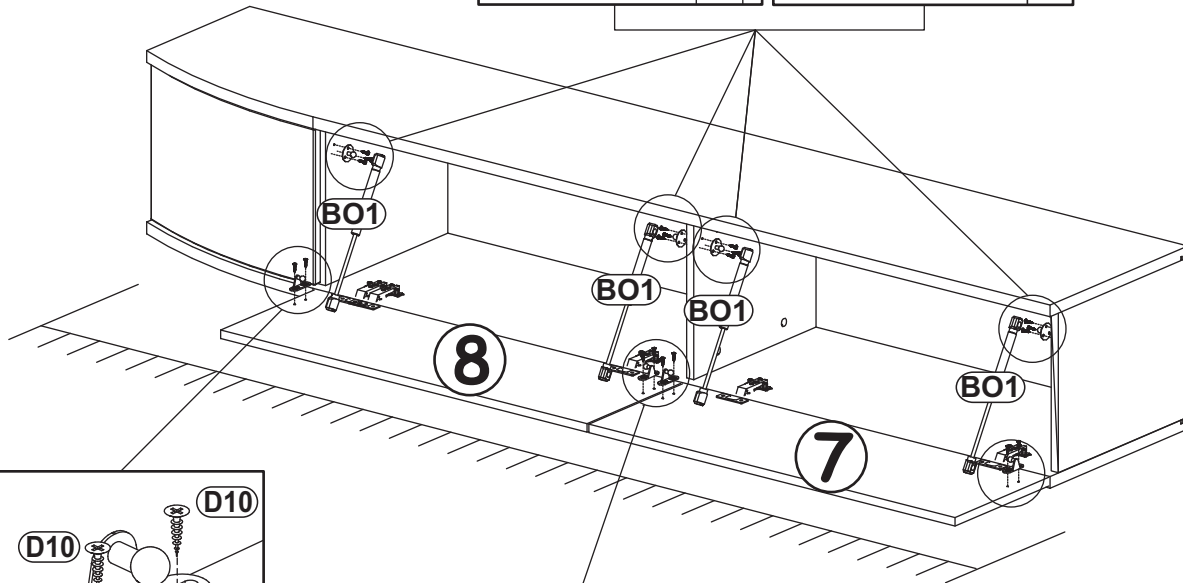
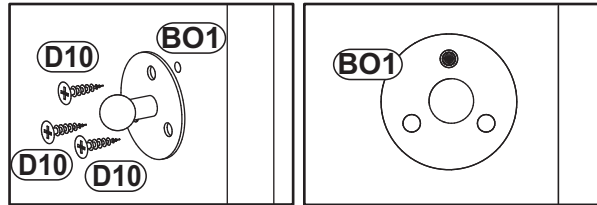
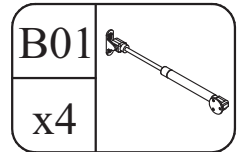
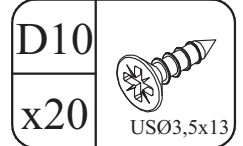
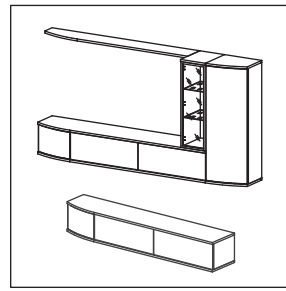


15

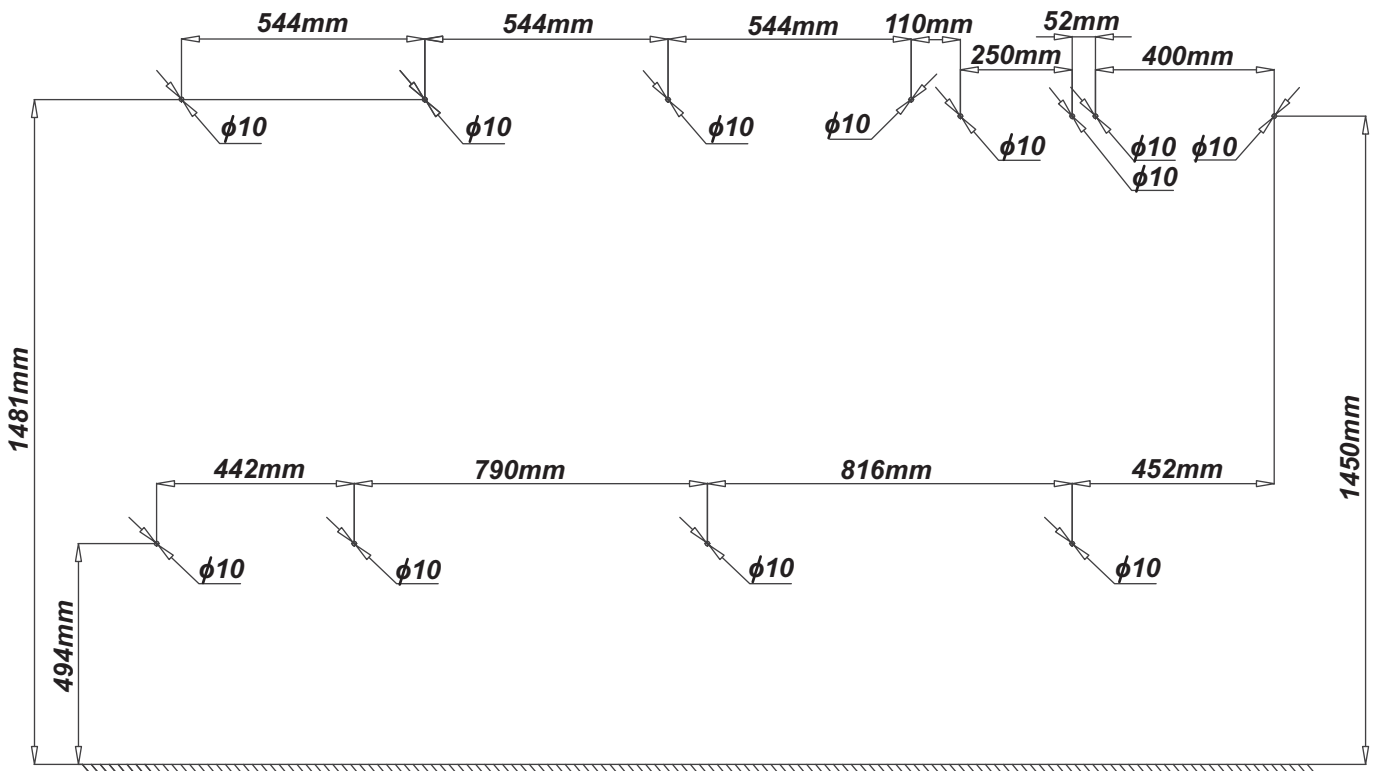
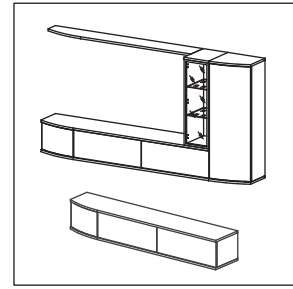
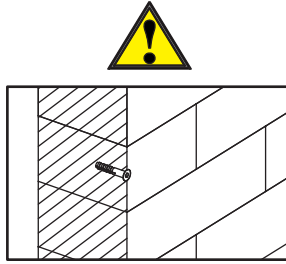
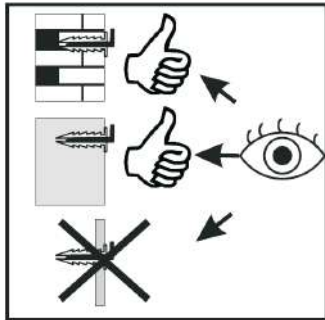




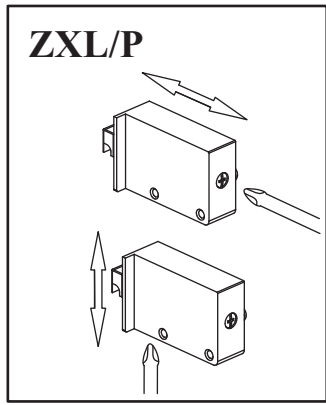
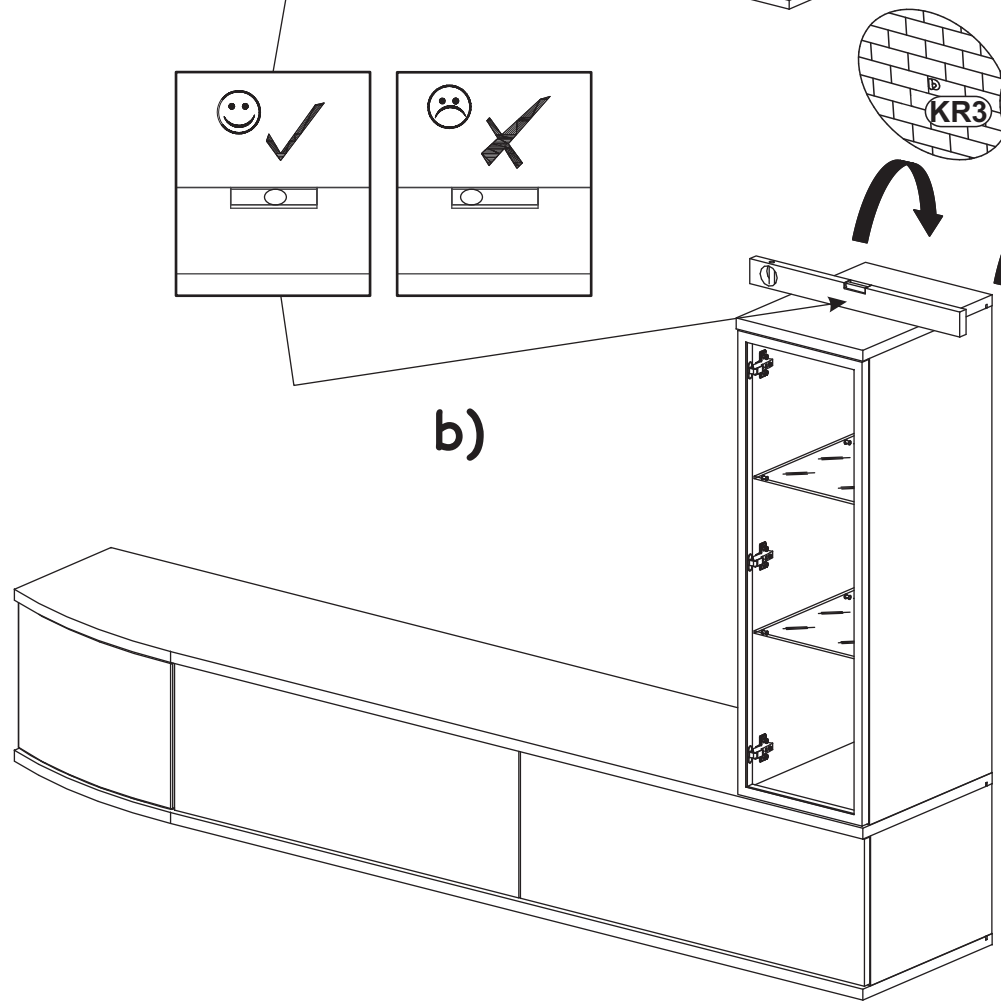
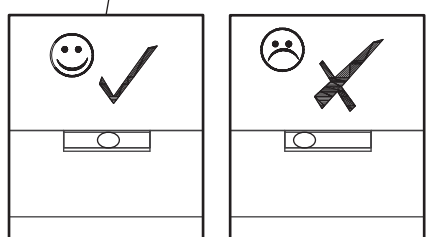
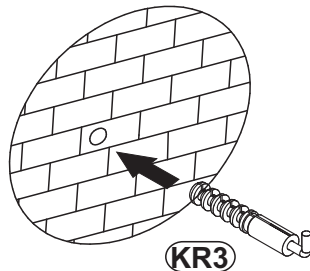
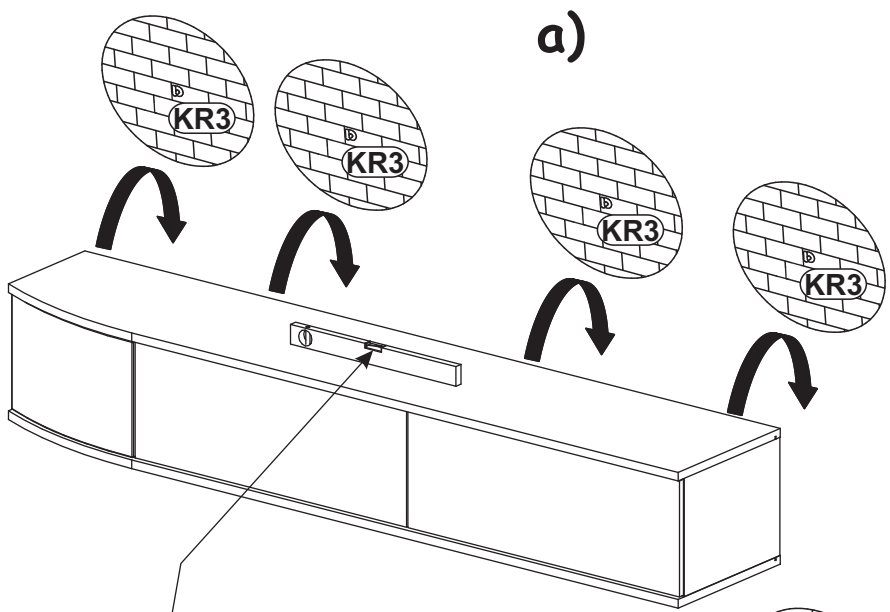
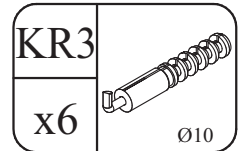
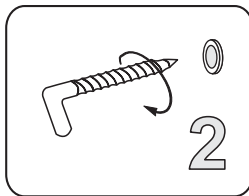
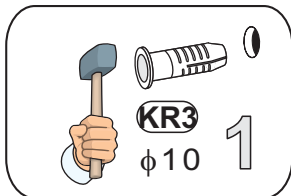
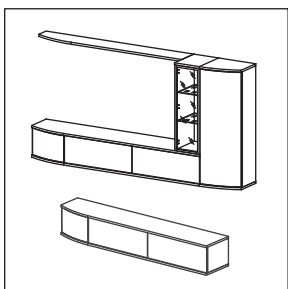
16



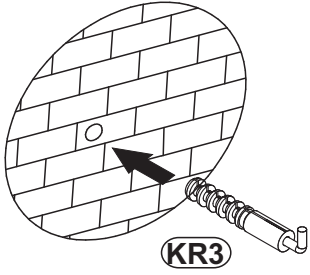
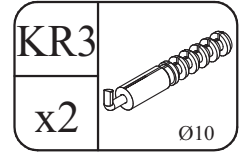
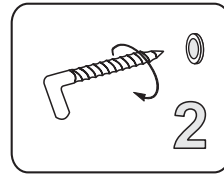
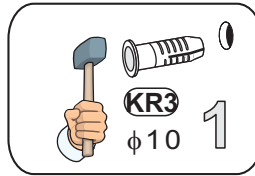
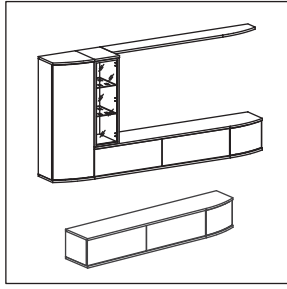
17



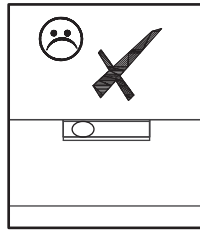
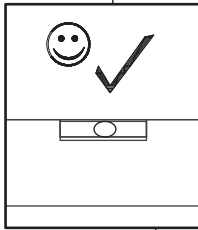
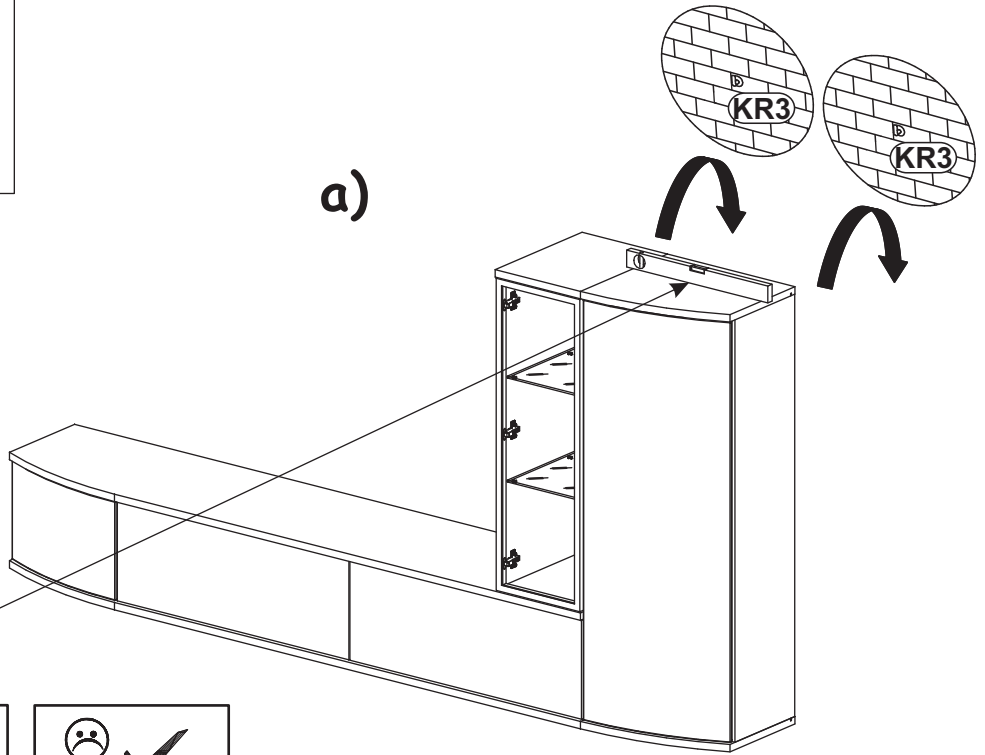
18



19



a)



b)

