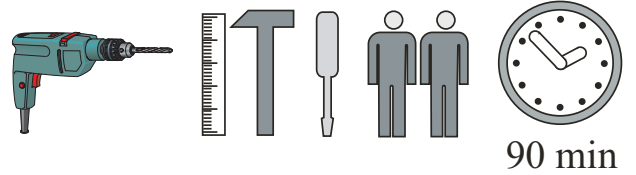
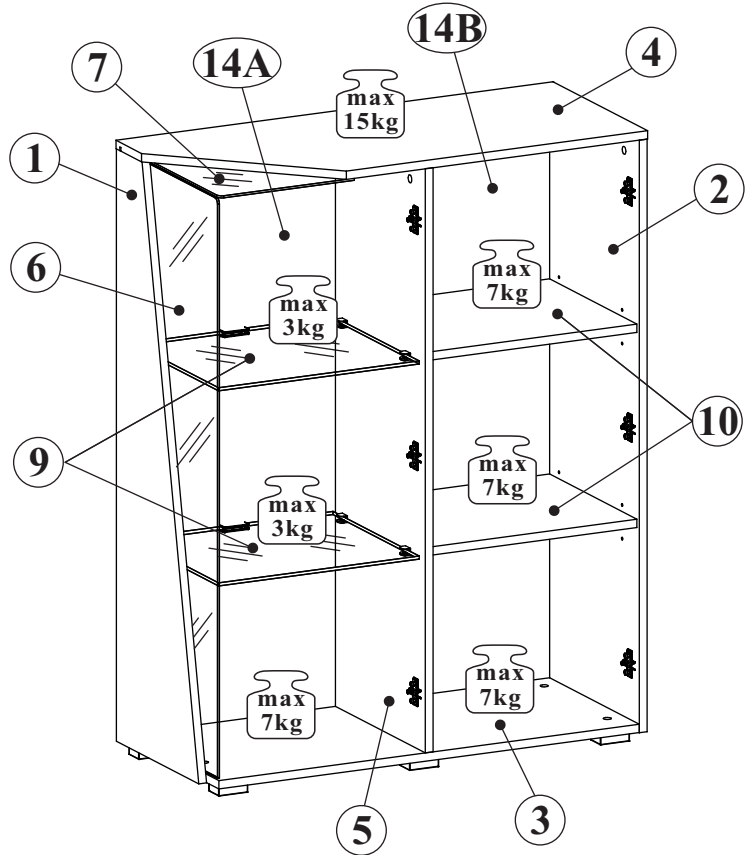
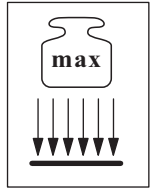
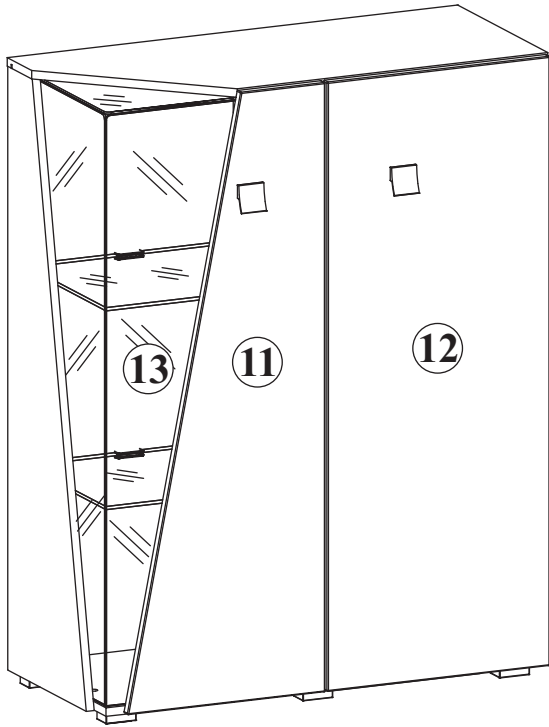
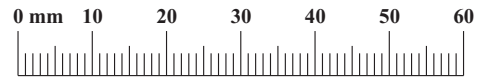


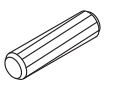
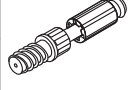


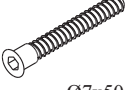

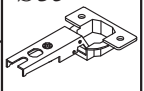
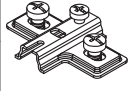
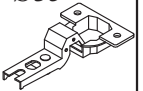

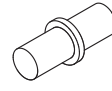

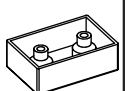
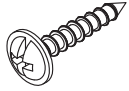
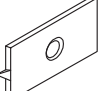
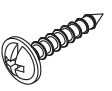

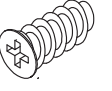
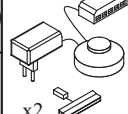
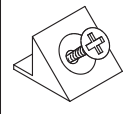
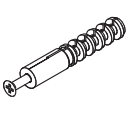
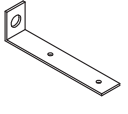
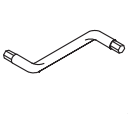
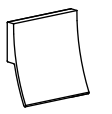

# EDGE 29 -- EE WSN

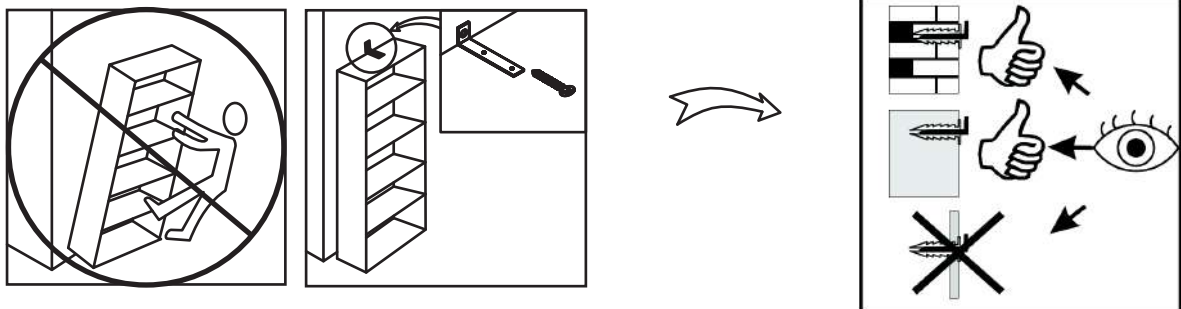
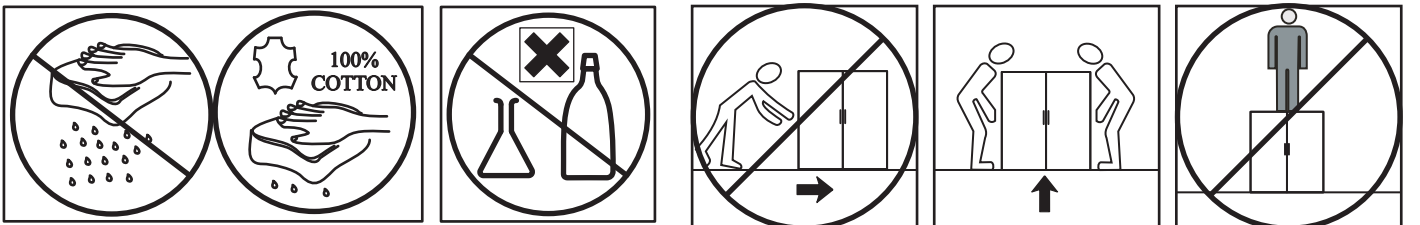
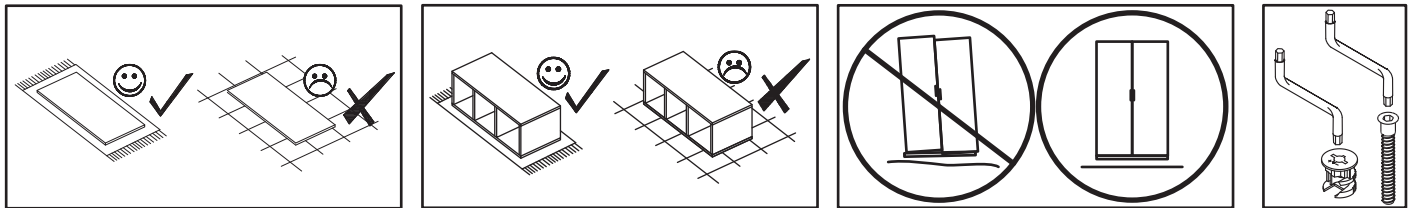
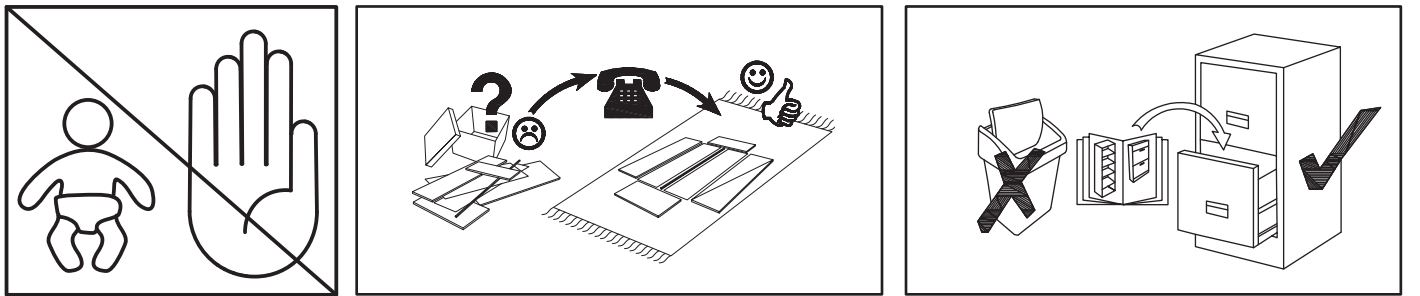


NO	Dim.			Col.-No	Qty
1	1130	334	16	1	1
2	1130	384	16	1	1
3	868	384	16	2	1
4	902	384	16	2	1
5	1114	364	16	1	1
6	1105	300	4	1	1
7	305	279	4	2	1
9	414	349	6	2	2
10	426	354	16	2	2
11	396	1140	16	1	1
12	446	1140	16	1	1
13	1105	280	4	1	1
14A	1125	440	3	1	1
14B	1125	440	3	2	1

# EDGE 29 -- EE WSN

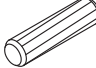
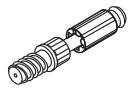
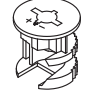
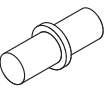


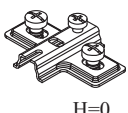
A1 x11  ø8x36	B4 x9 	B5 x9  ø15x12	G5 x9 	B11 x2  ø7x50	G4 x2 
E21 x3  Ø35 H=0	E2 x6  H=0	E23 x3  Ø35 H=8	D10 x16  USØ3,5x13	G7 x8 	G31 x6 
ST17 x6 	UP11 x12  UPØ4x20	G16 x7 	UP13 x25  UPØ3x16	P2 x18 	D20 x6  ESØ6,3x9,5
LED x1  x2	S1 x16 	KR1 x2 	L1 x2 	G2 x1 	U19 x2 
DS4 x4  WSM4x22					

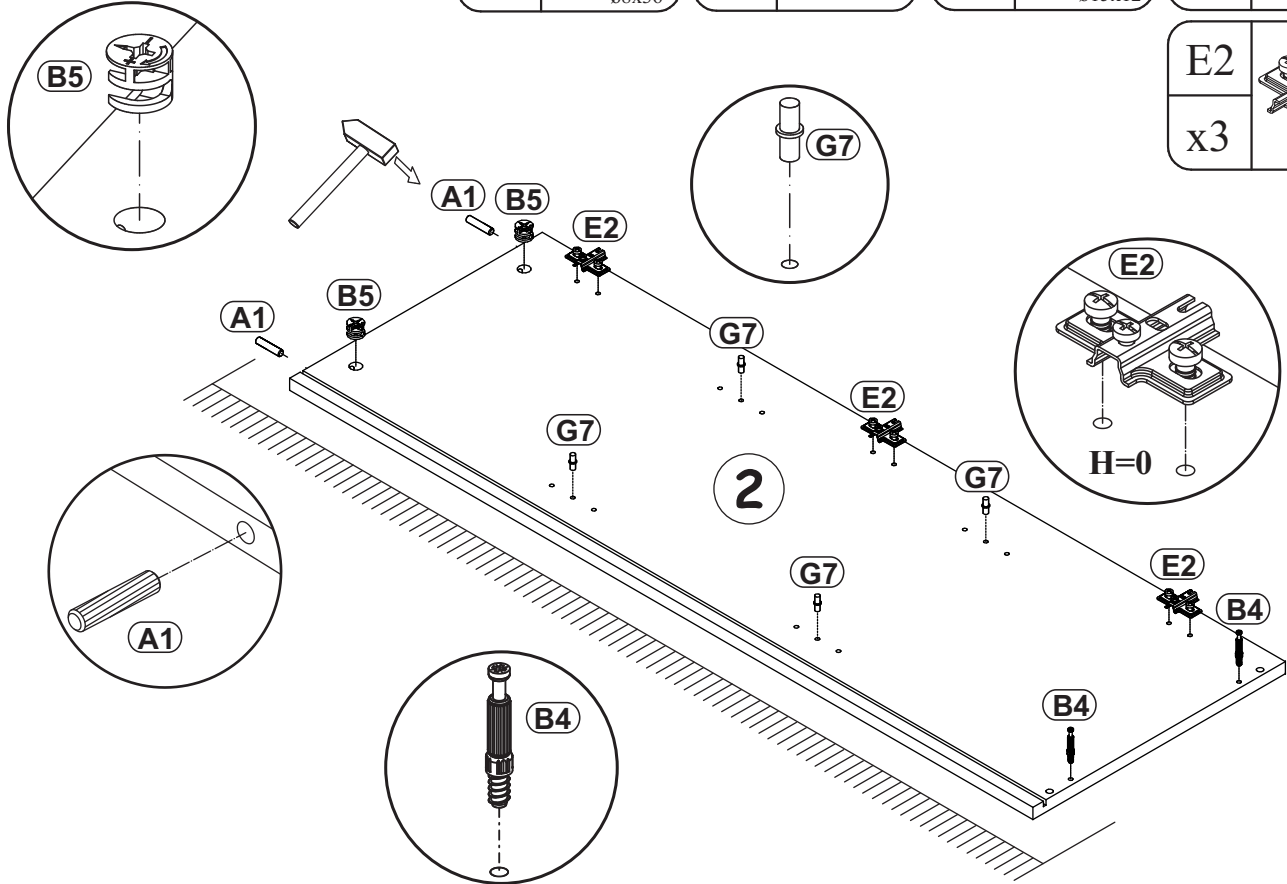


EDGE 29 -- EE WSN

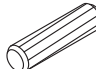
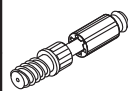
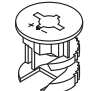
1

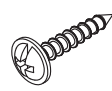

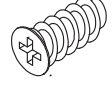
A1		B4		B5		G7	
x2	ø8x36	x2		x2	ø15x12	x4	


E2	
x3	H=0

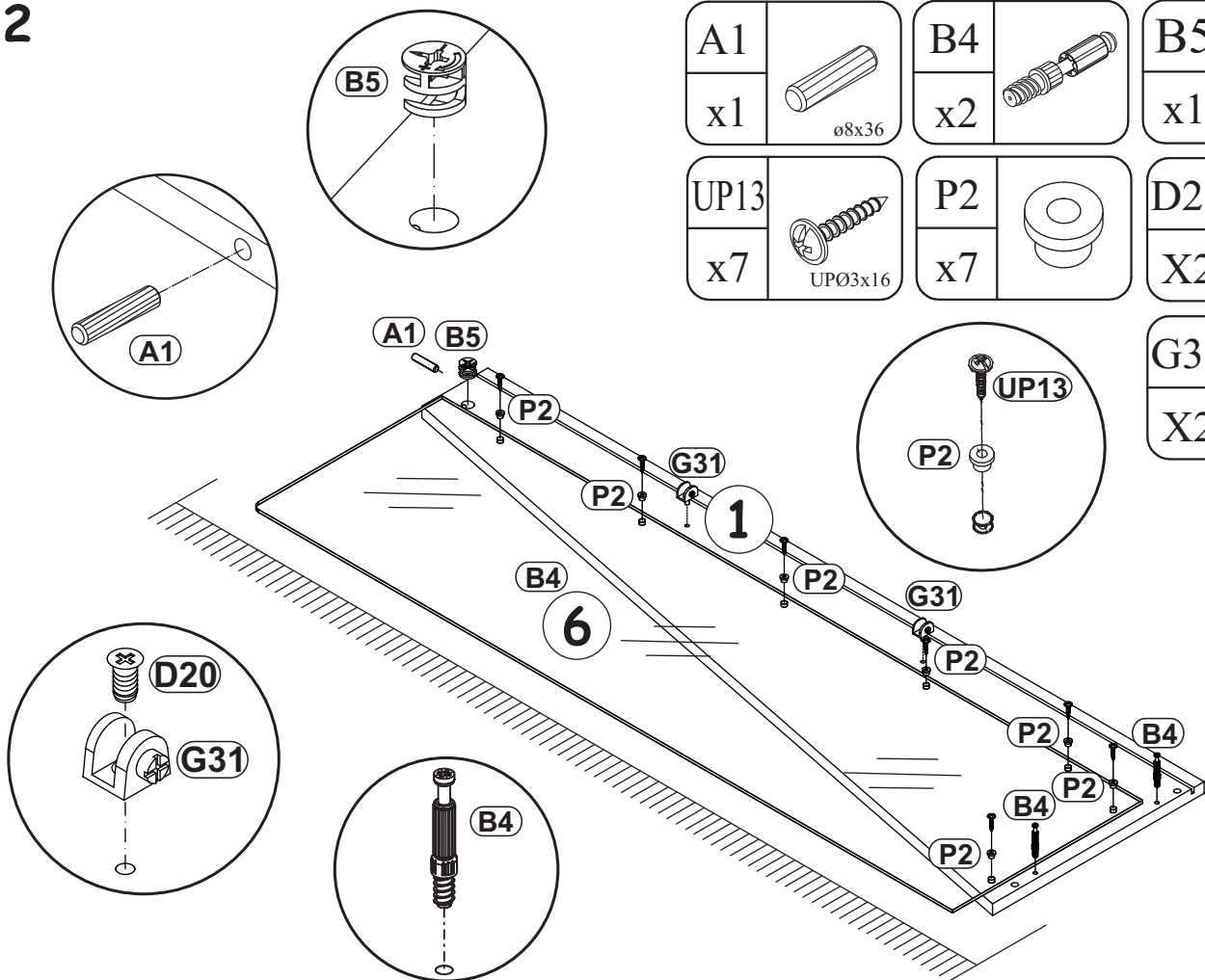


2

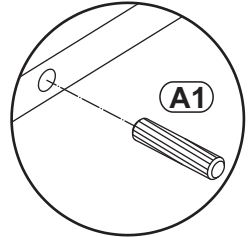
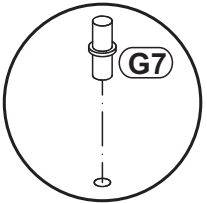
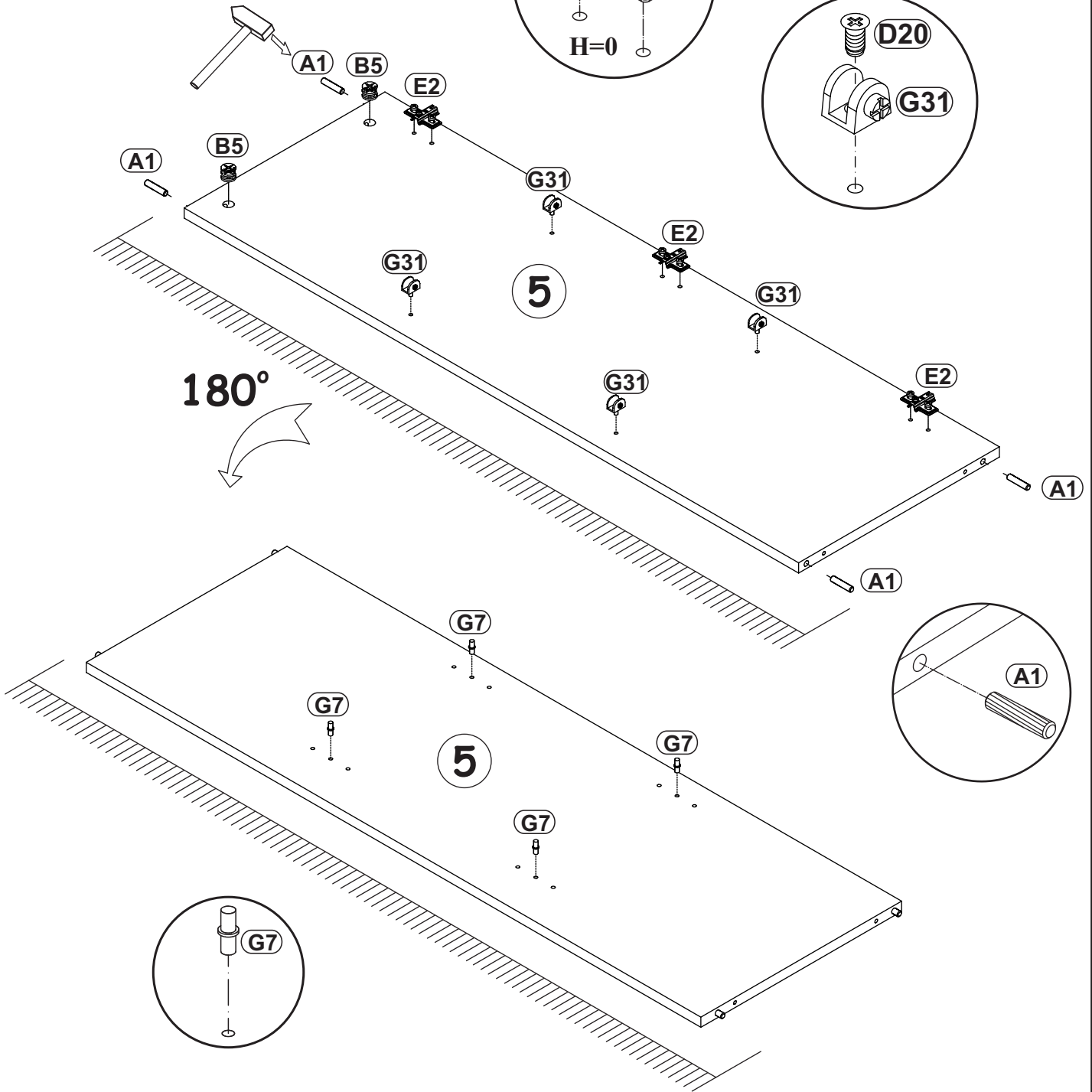
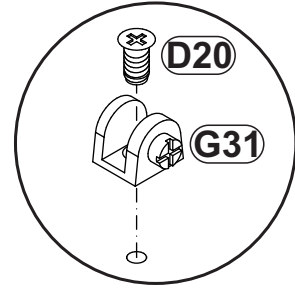
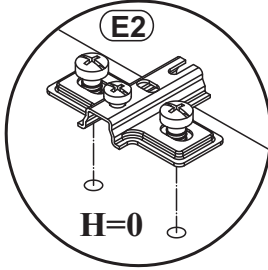
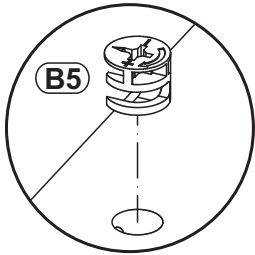
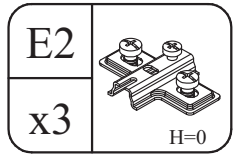
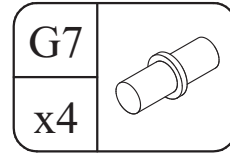
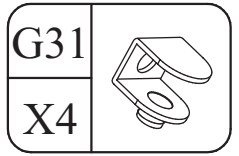
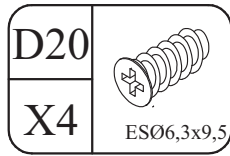
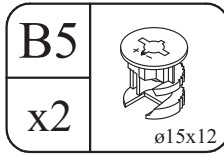
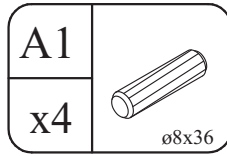
A1		B4		B5	
x1	ø8x36	x2		x1	ø15x12

UP13		P2		D20	
x7	UPØ3x16	x7		X2	ESØ6,3x9,5

G31	
X2	

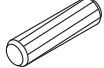
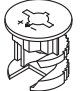


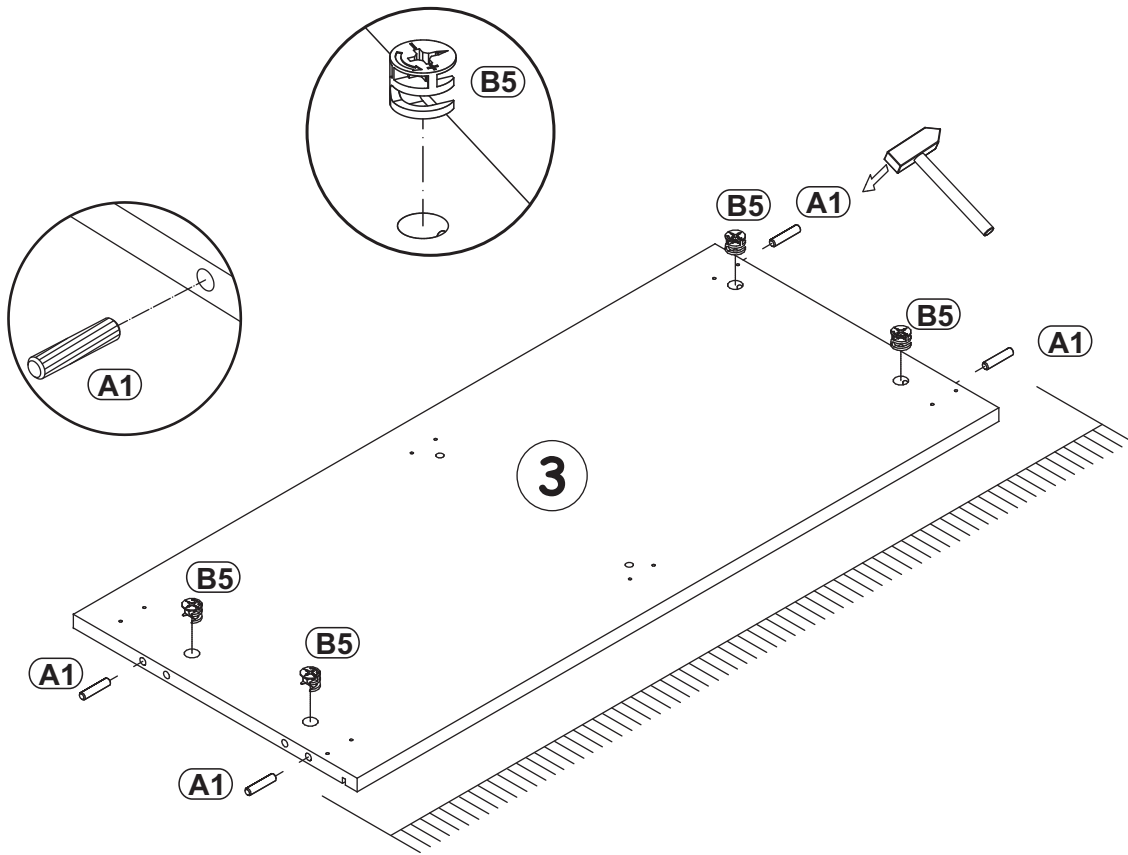
3



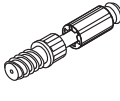

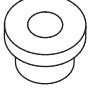
EDGE 29 -- EE WSN

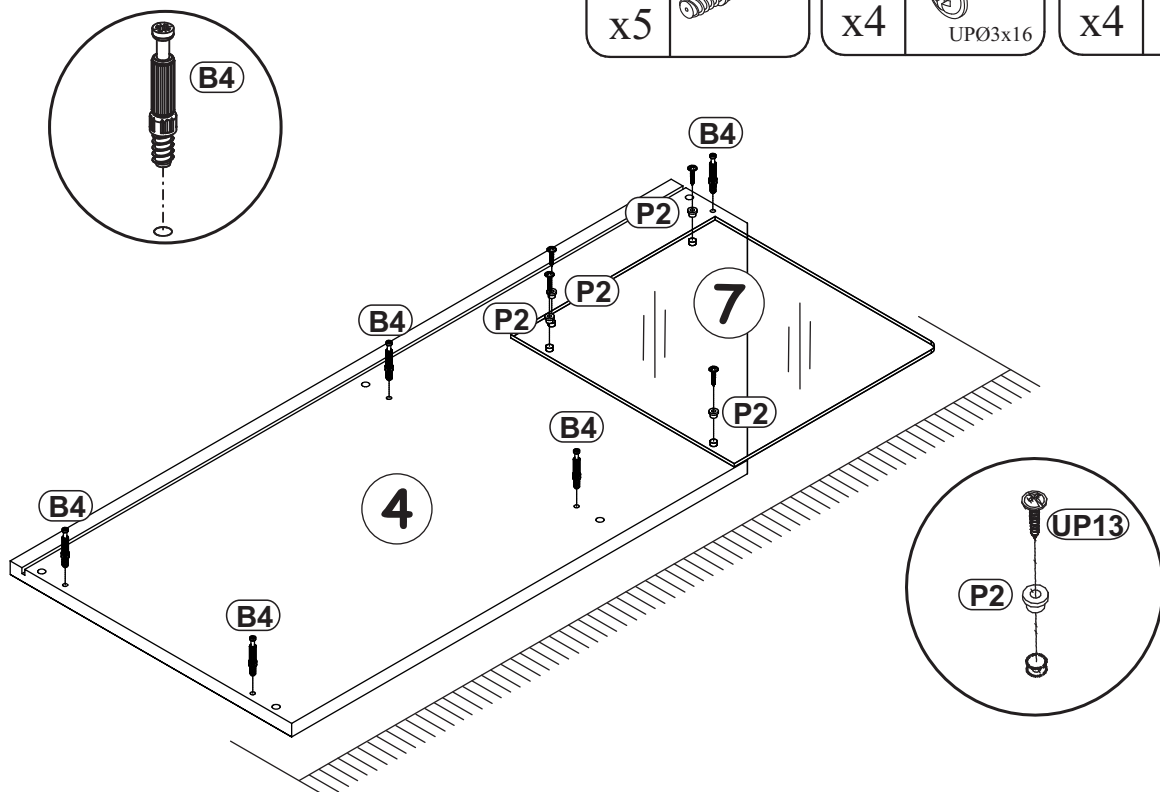
4

A1		B5	
x4	ø8x36	x4	ø15x12



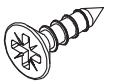
5


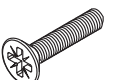
B4		UP13		P2	
x5		x4	UPØ3x16	x4	

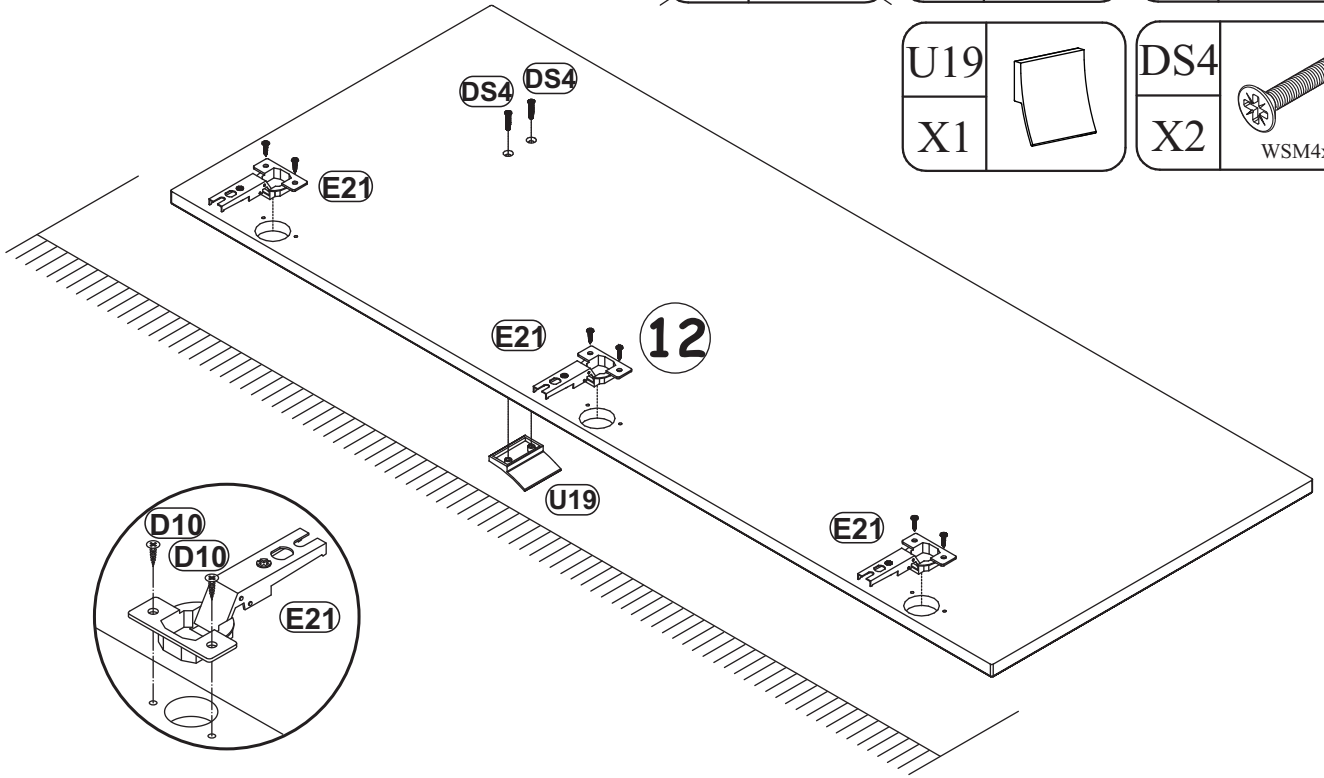


EDGE 29 -- EE WSN

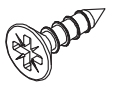
6

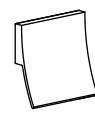
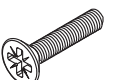
<del>E23</del>	<del>Ø35</del>	E21	Ø35	D10	
x3	H=8	x3	H=0	x6	

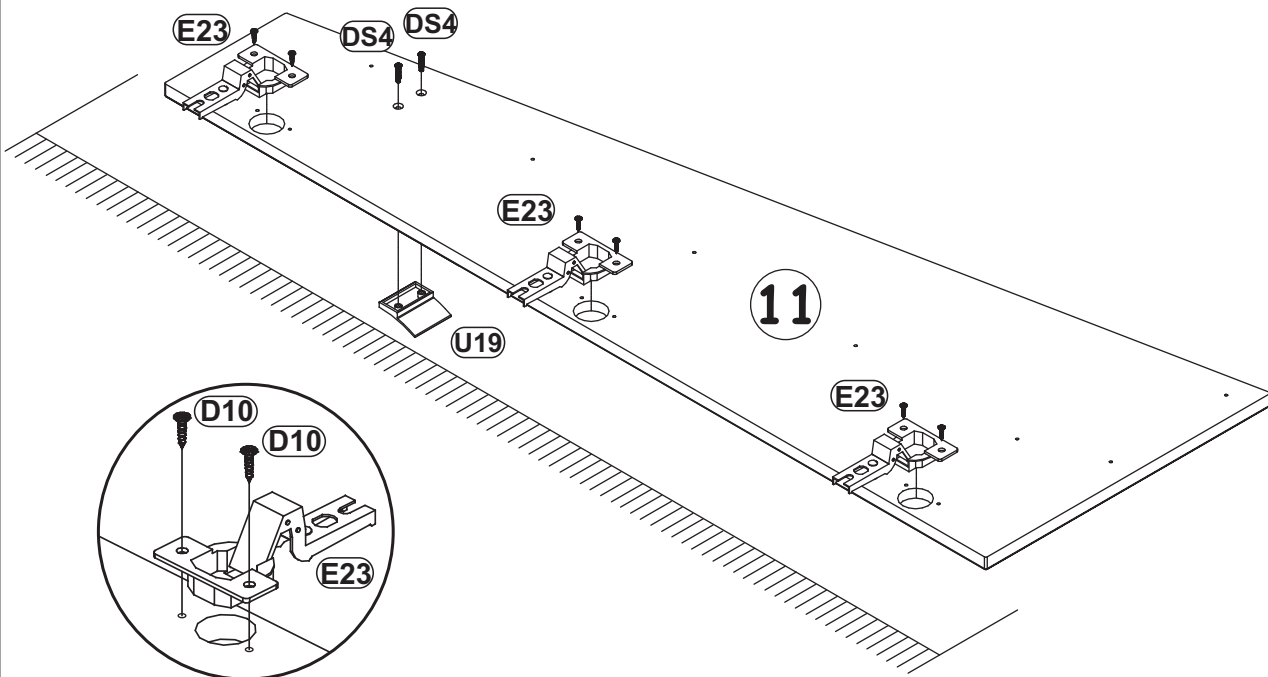
U19		DS4	
X1		X2	



7



<del>E21</del>	<del>Ø35</del>	E23	Ø35	D10	
x3	H=0	x3	H=8	x6	

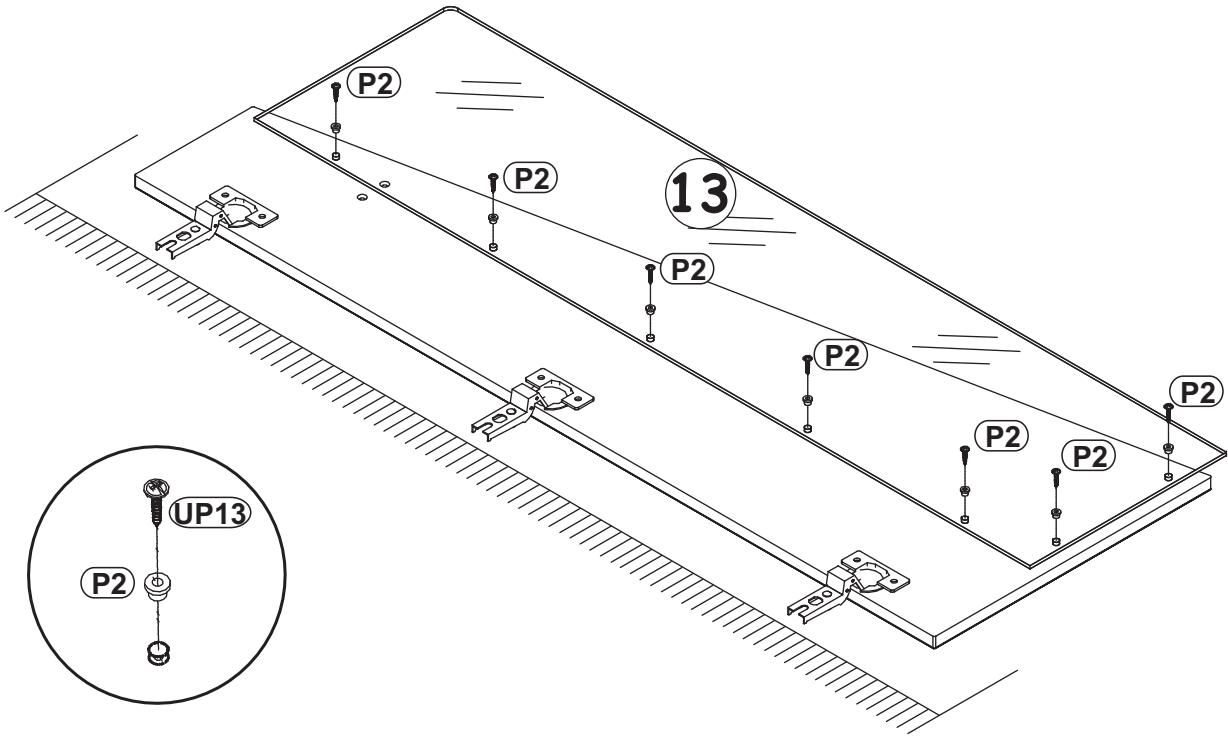
U19		DS4	
X1		X2	






EDGE 29 -- EE WSN

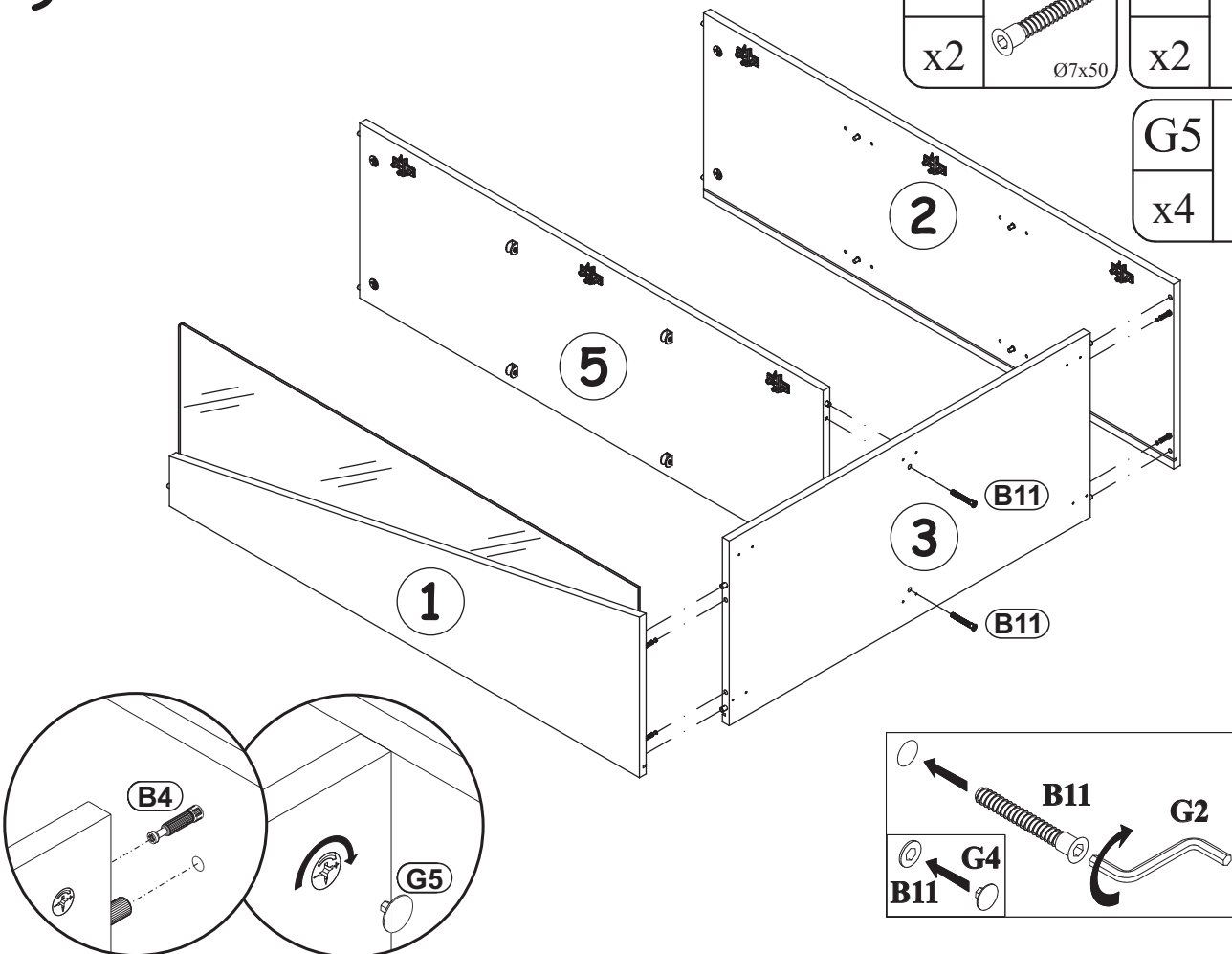
8

P2		UP13	
x7		x7	UP03x16

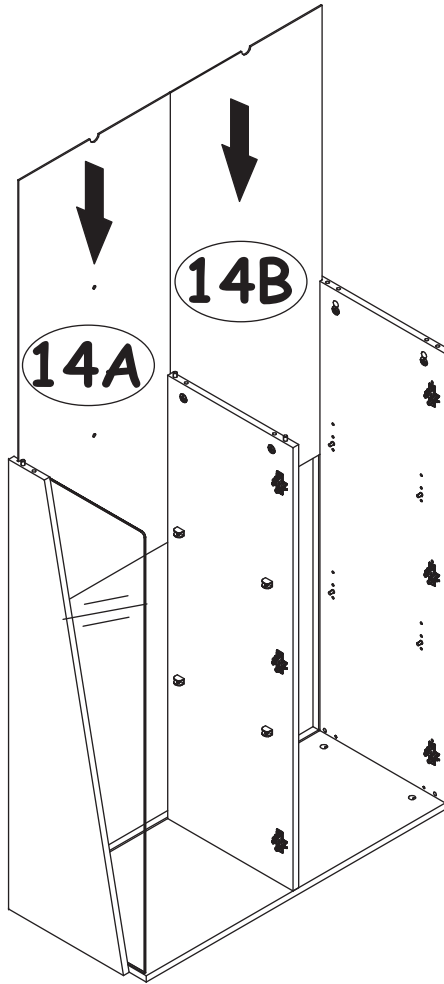


9

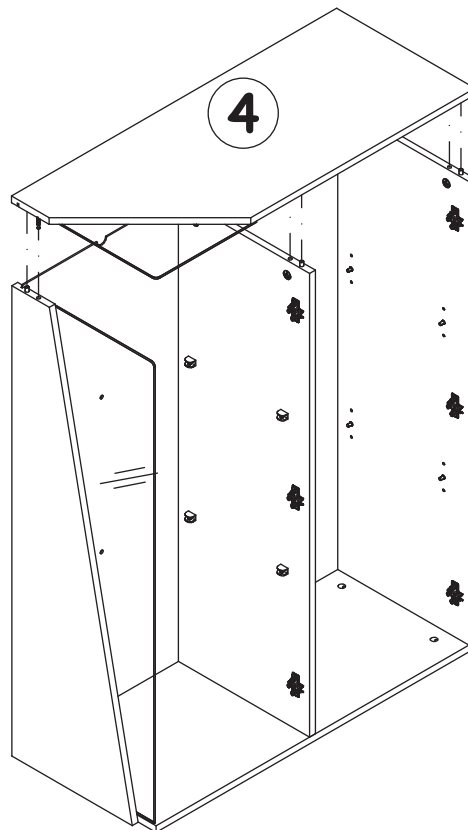
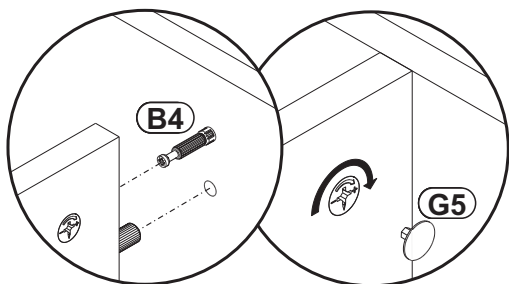
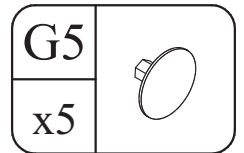
B11		G4	
x2	Ø7x50	x2	
		G5	
		x4	



10

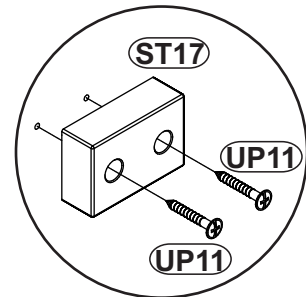
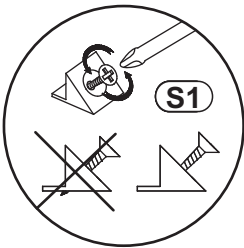
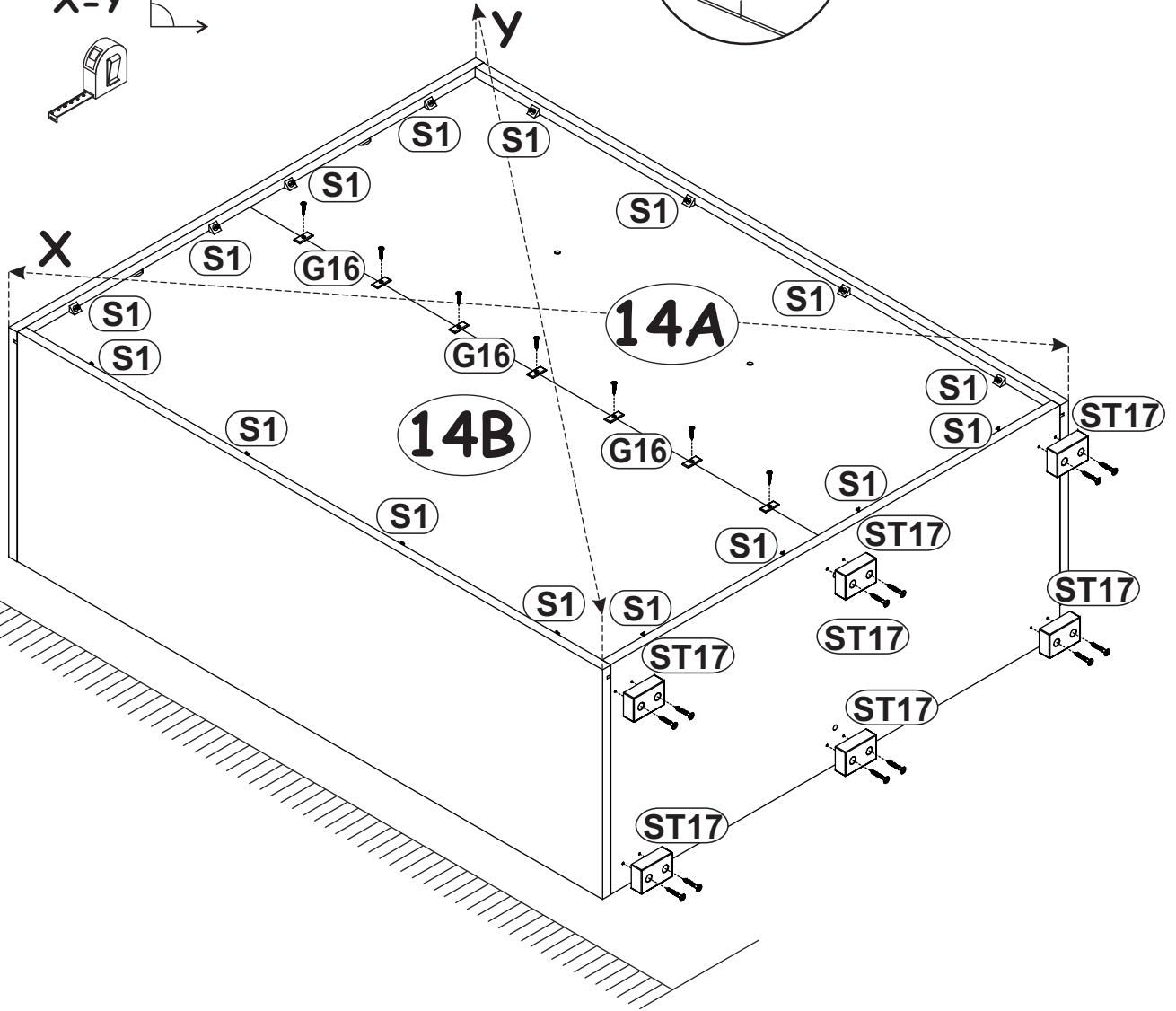
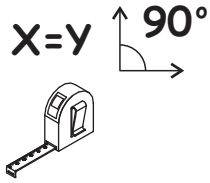
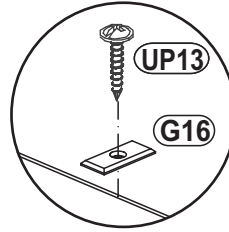
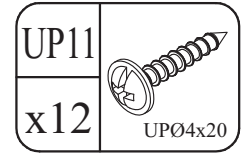
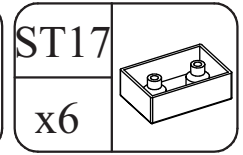
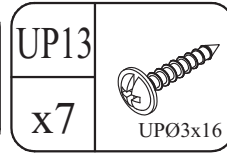
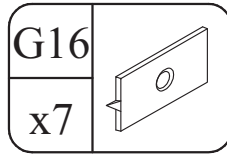
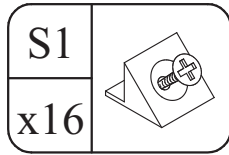


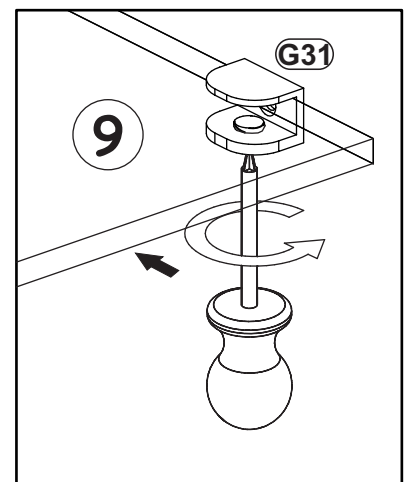
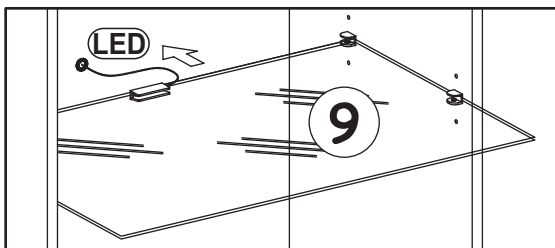
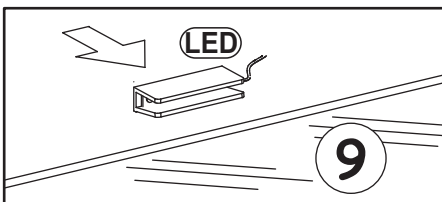
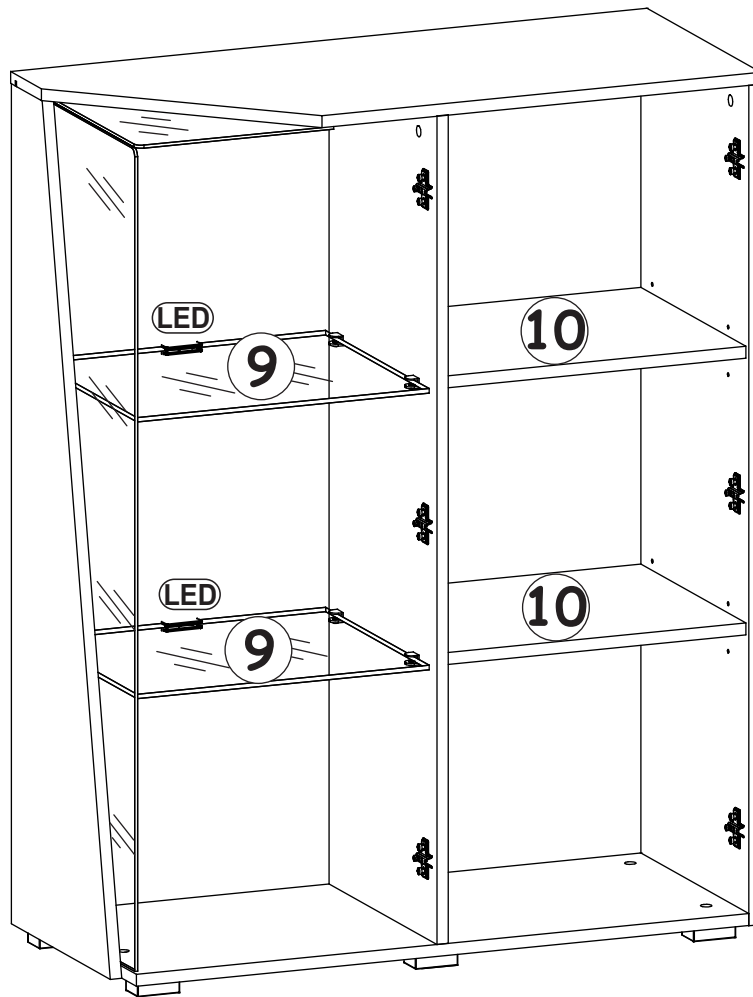
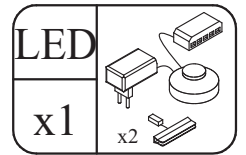
11



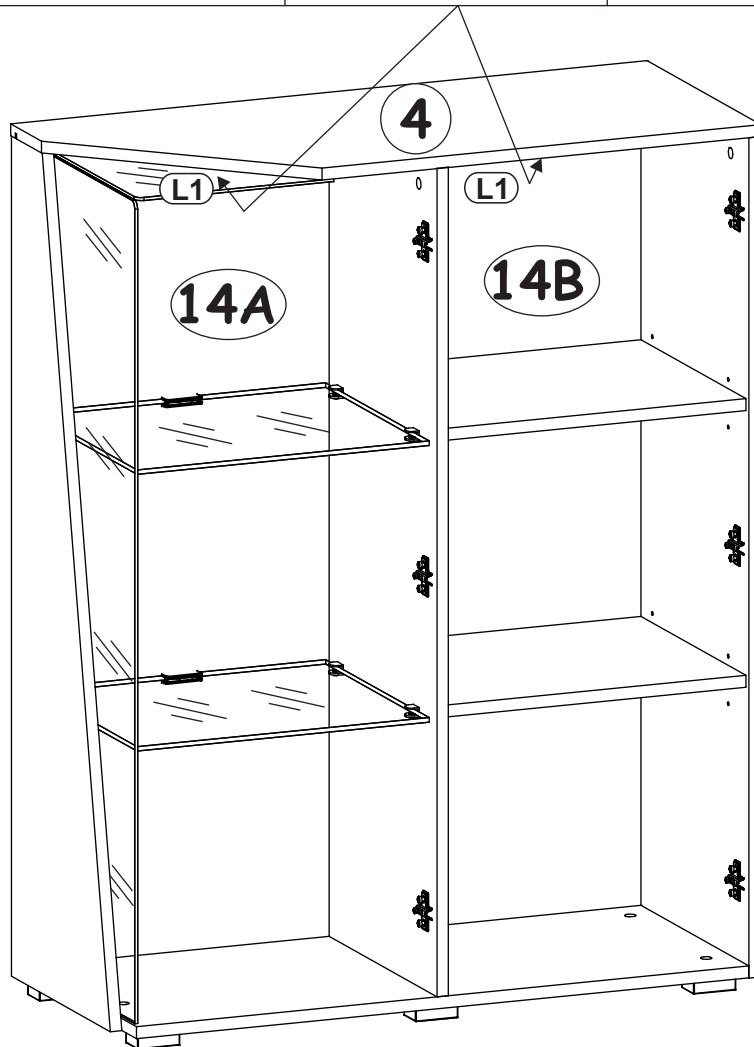
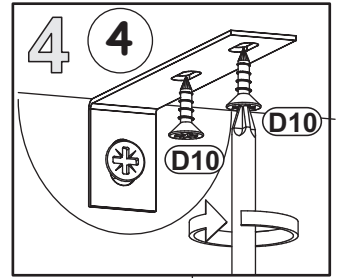
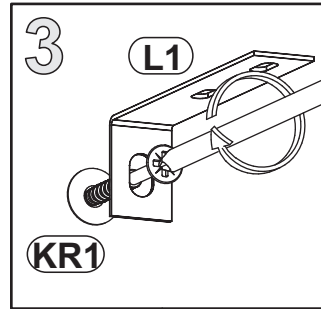
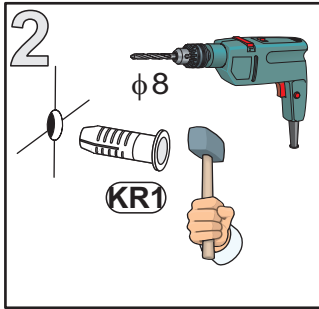
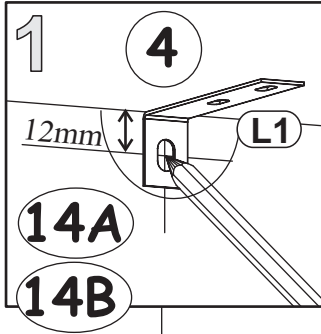
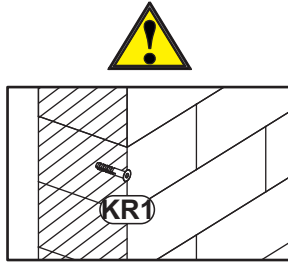
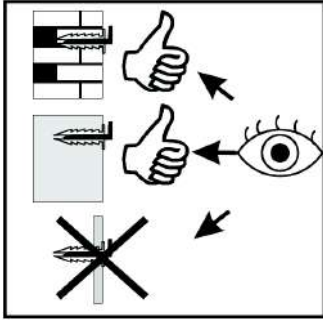
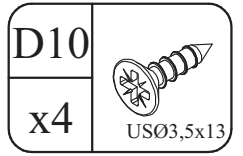
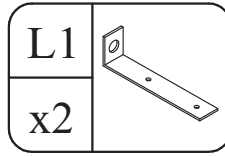
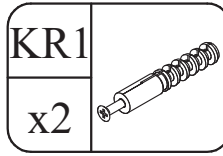


12

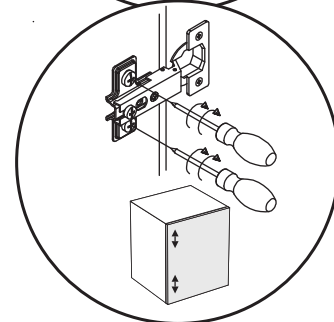
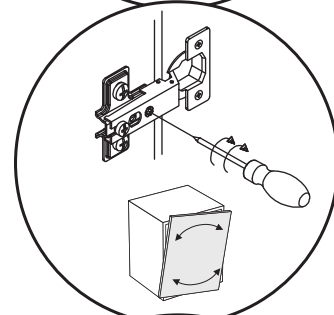
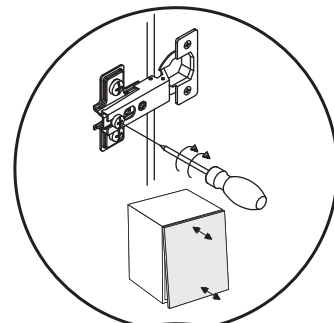
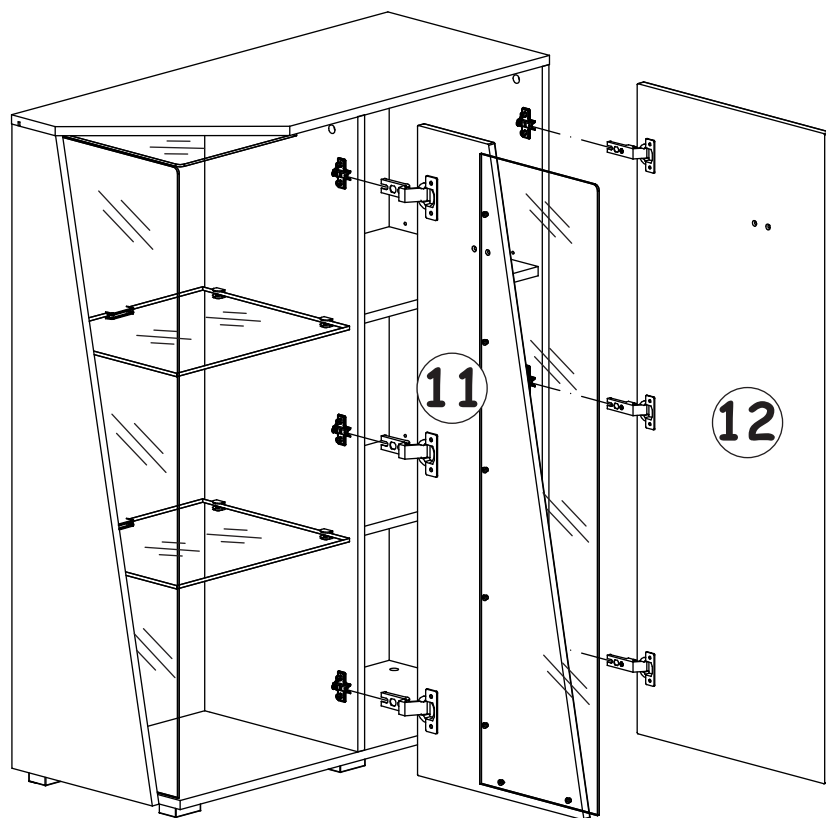




14



15



16

