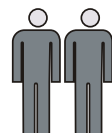
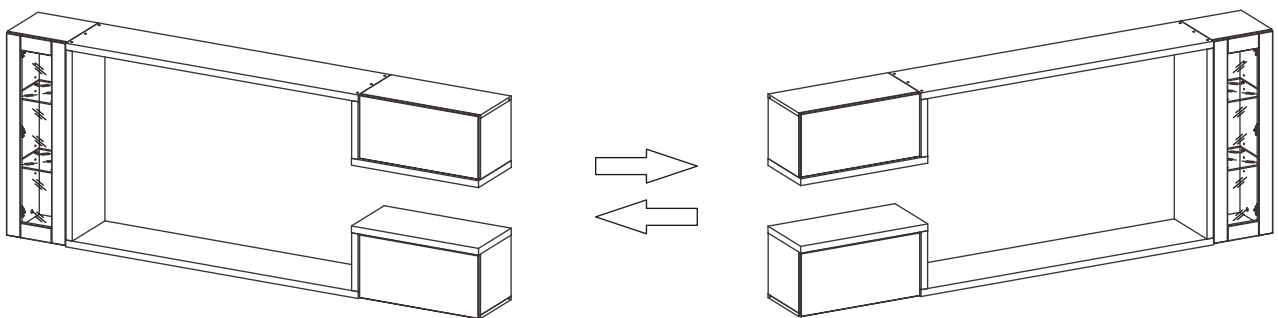
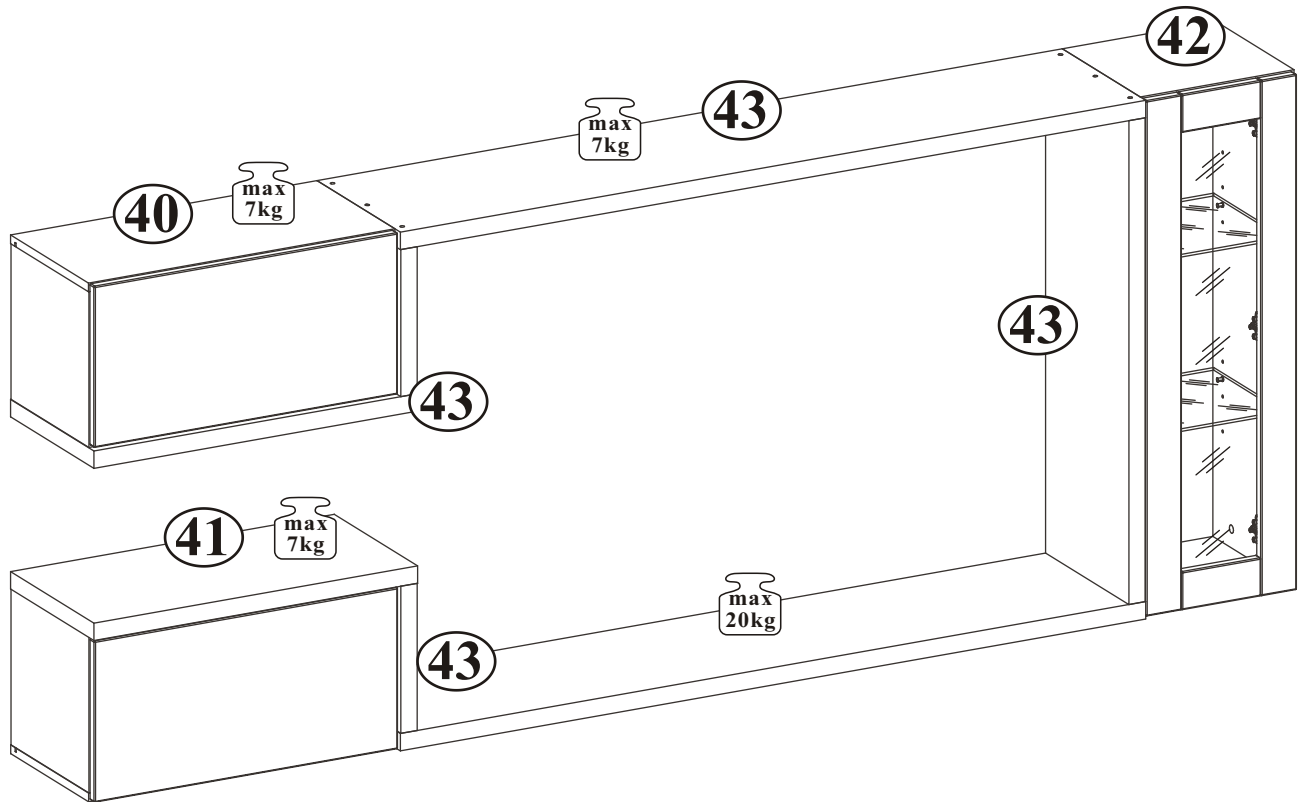
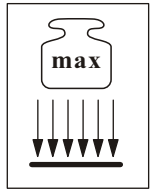
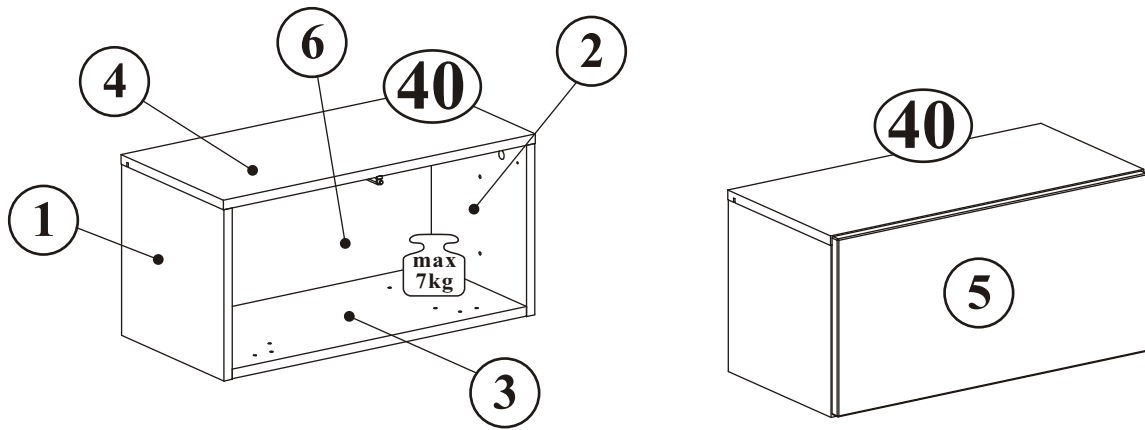


GALAXY 29_WGX



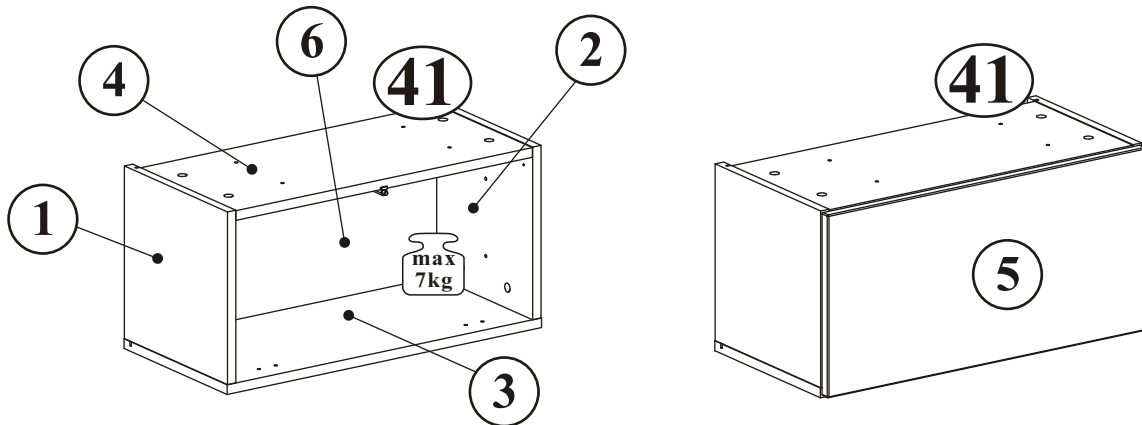
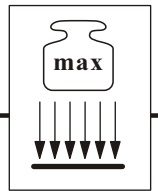
200 min

GALAXY 29_WGX



1 - 6

NO	Dim.			Col-No	Qty
1	286	286	16	1	1
2	286	286	16	1	1
3	568	266	16	1	1
4	602	286	16	1	1
5	596	296	16	1	1
6	580	288	3	1	1



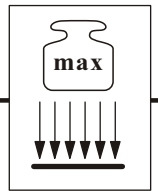
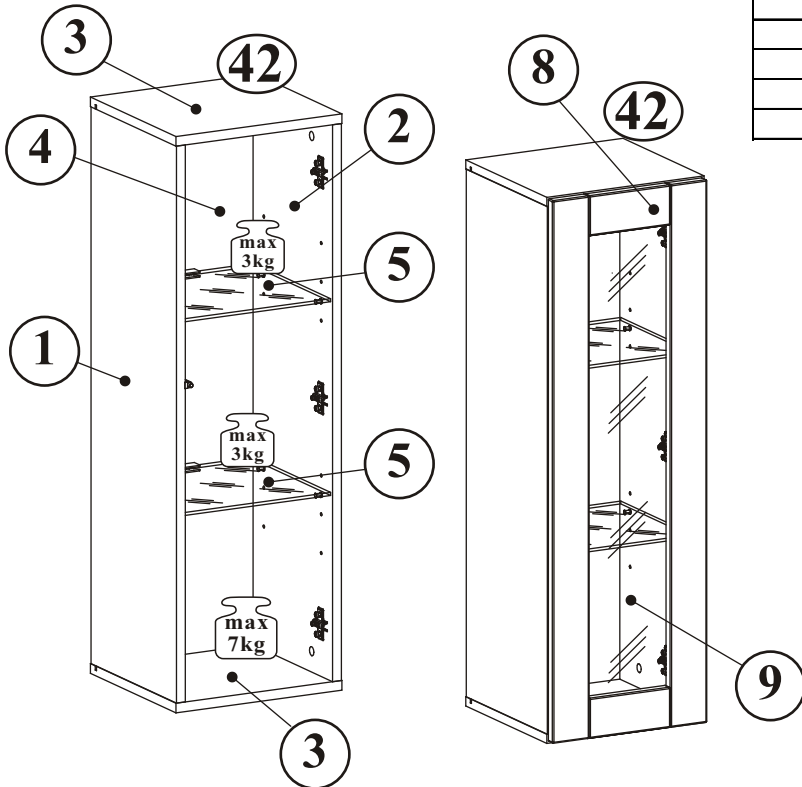
7 - 11

NO	Dim.			Col-No	Qty
1	286	286	16	1	1
2	286	286	16	1	1
3	602	286	16	1	1
4	568	266	16	1	1
5	596	296	16	1	1
6	580	288	3	1	1

GALAXY 29_WGX

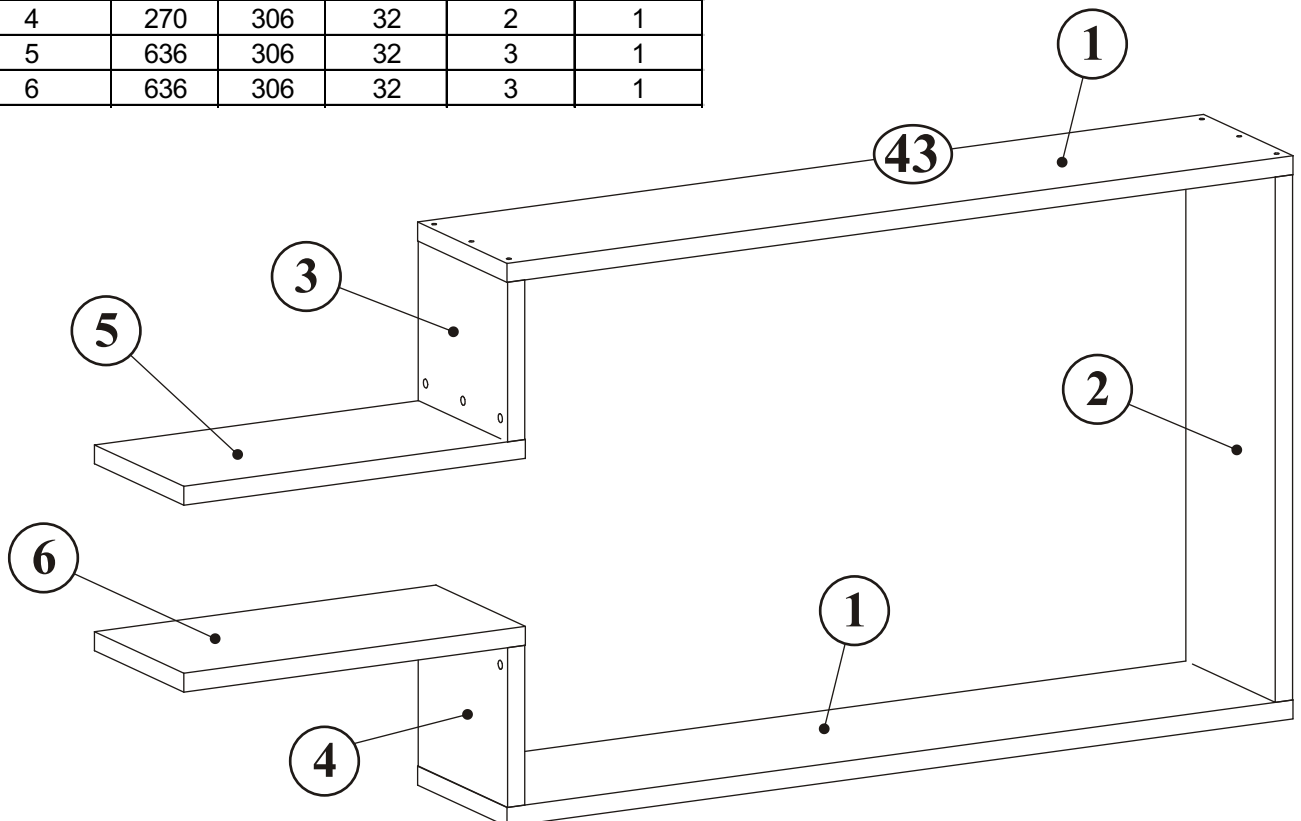
12 - 17

NO	Dim.			Col-No	Qty
1	920	286	16	2	1
2	920	286	16	2	1
3	302	286	16	2	2
4	932	280	3	2	1
5	267	256	5	2	2
8	946	296	16	2	1
9	856	206	4	2	1

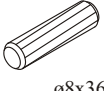
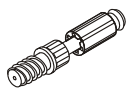


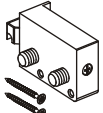
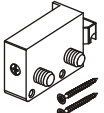
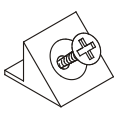
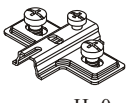
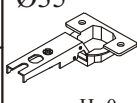
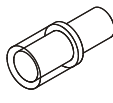
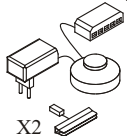


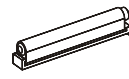
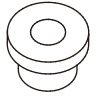

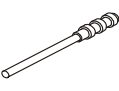

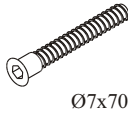


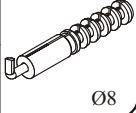

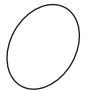
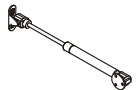


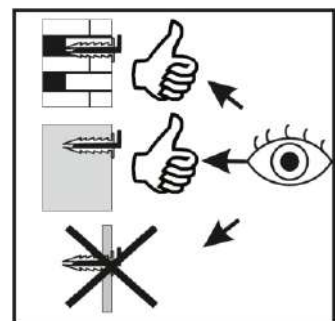
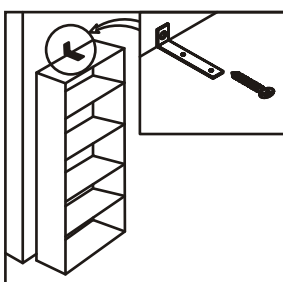
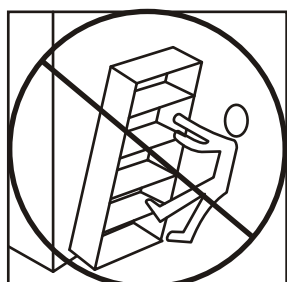
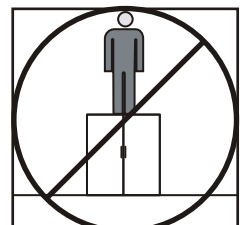
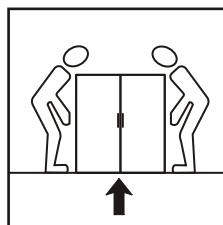
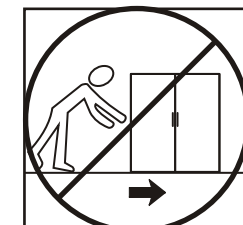
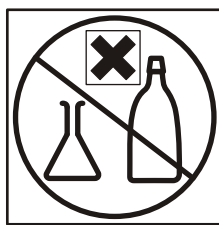
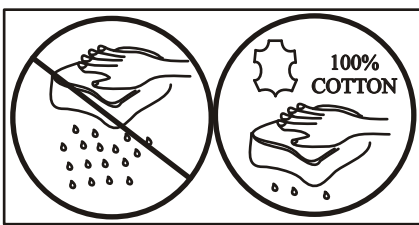
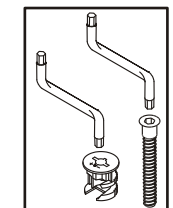
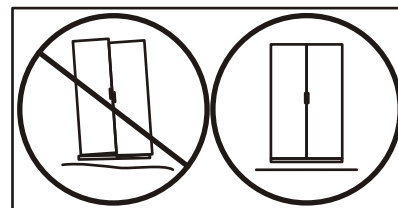
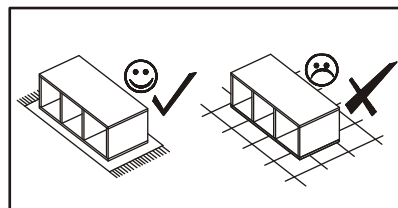
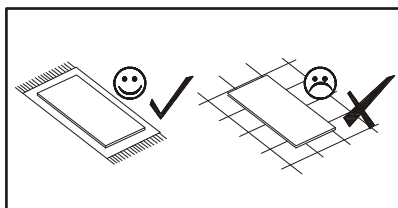
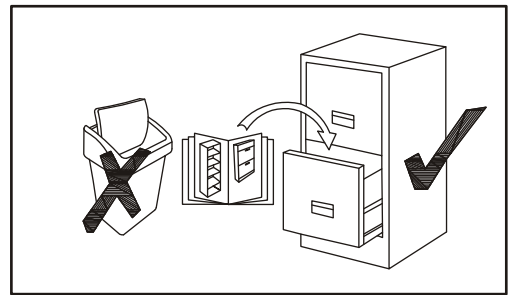
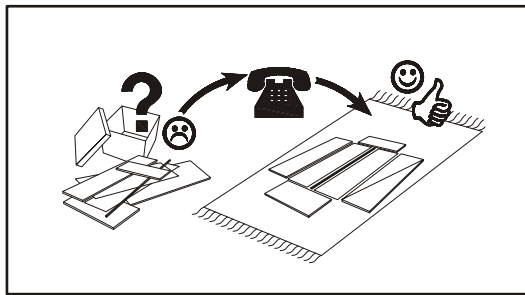
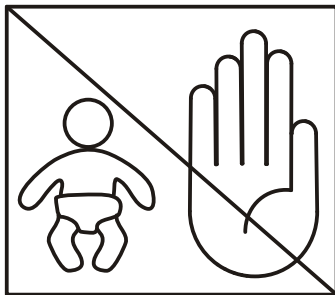
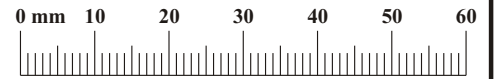
NO	Dim.			Col-No	Qty
1	1464	306	32	3	2
2	888	306	32	2	1
3	270	306	32	3	1
4	270	306	32	2	1
5	636	306	32	3	1
6	636	306	32	3	1

18 - 20

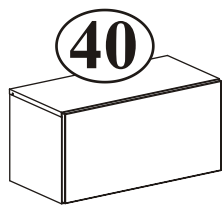


GALAXY 29 _ WGX

A1 x24  ø8x36	B4 x30 	B5 x24  ø15x12	G5 x16 	ZXL x3 	ZXP x3 
S1 x16 	E2 x6  H=0	E21 x6  Ø35 H=0	G20 x8 	LED x1  x2	UP13 x18  UPØ3x16
Z2 x12  ø5	T1 x3 	P2 x8 	B16 x6  ø15x16	PP1 x4 	G2 x1 
B13 x12  ø7x70	G4 x12 	D10 x28  USØ3,5x13	KR2 x6  ø8	D23 x16  USØ3,5x35	G12 x16  ø14
BP1 x2 					

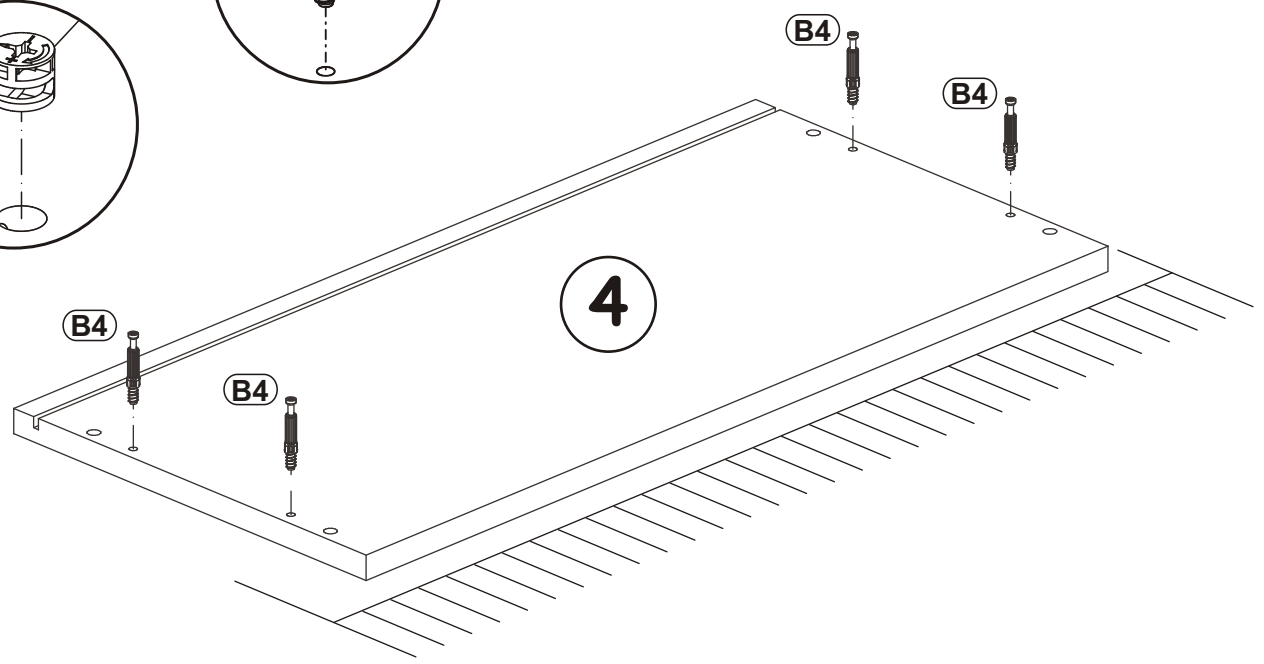
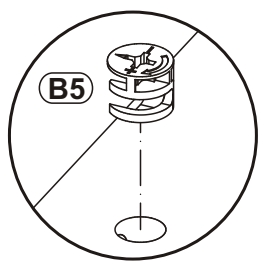
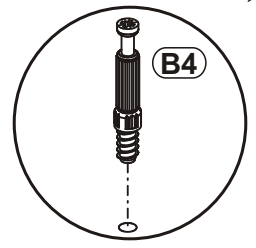
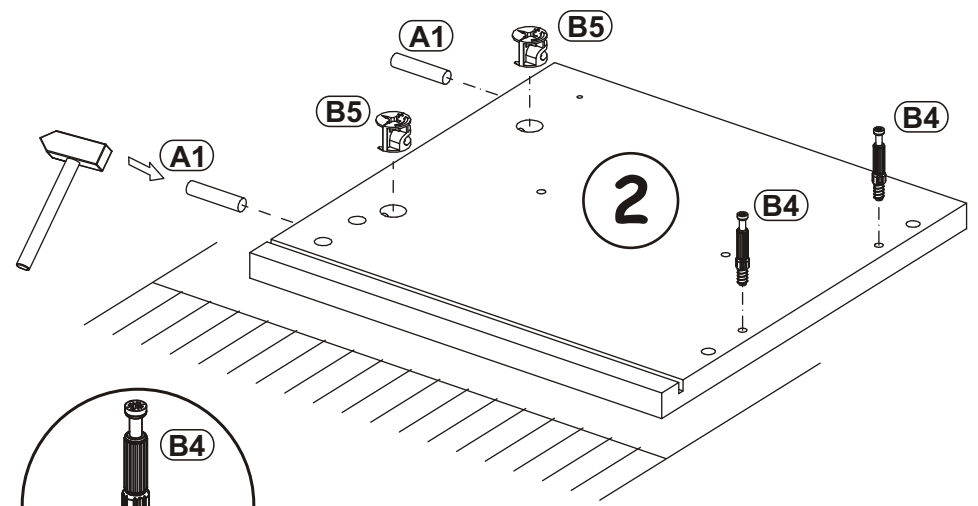
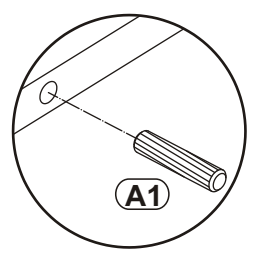
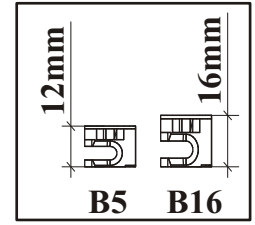
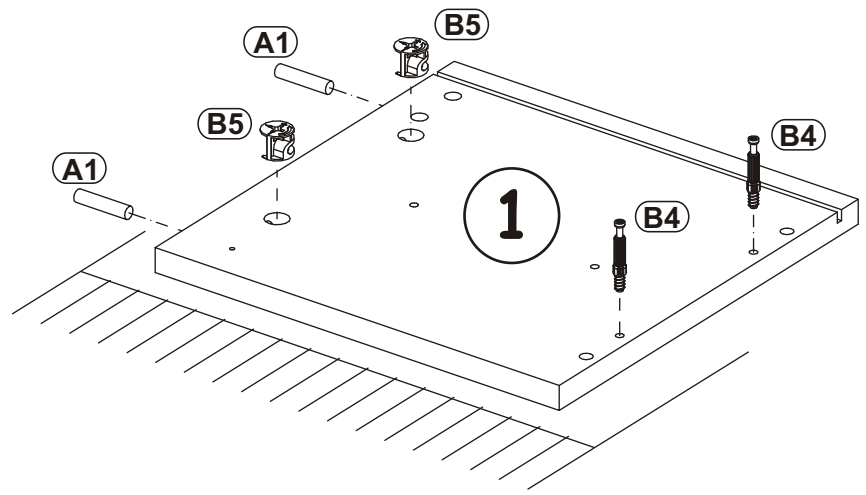


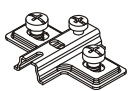

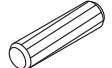
1

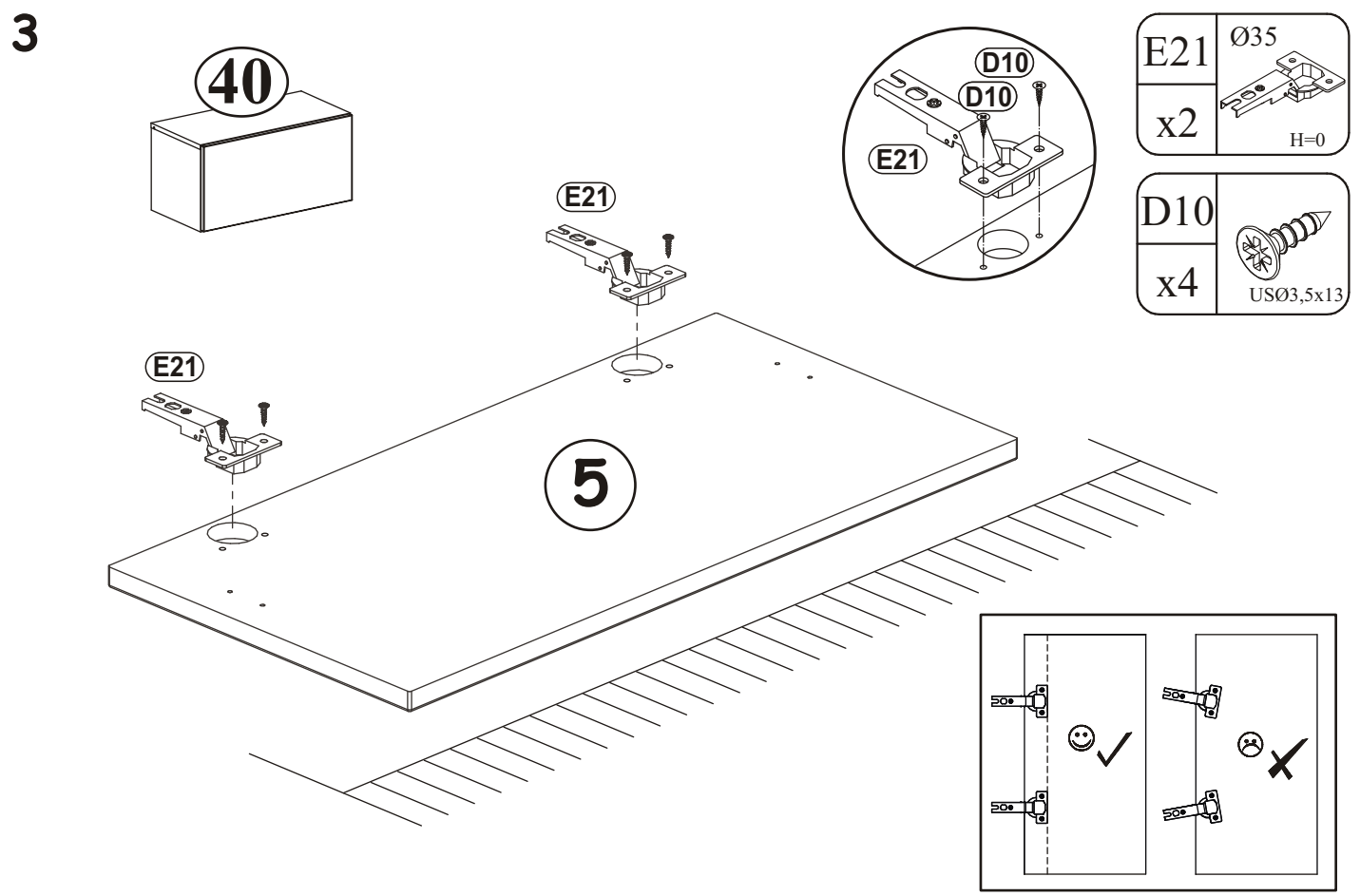
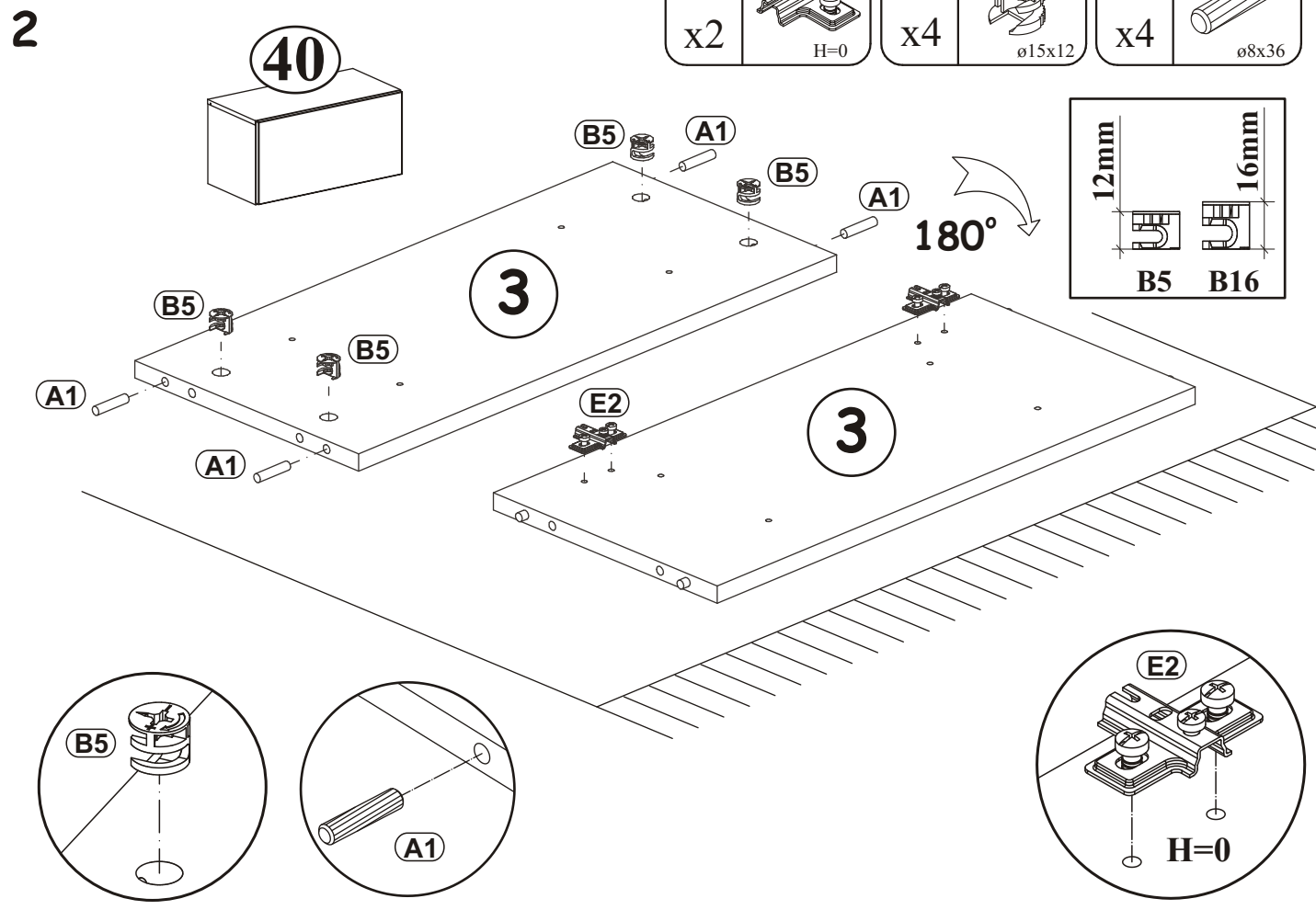


B5		A1	
x4		x4	

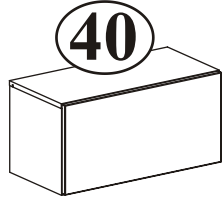
B4	
x8	



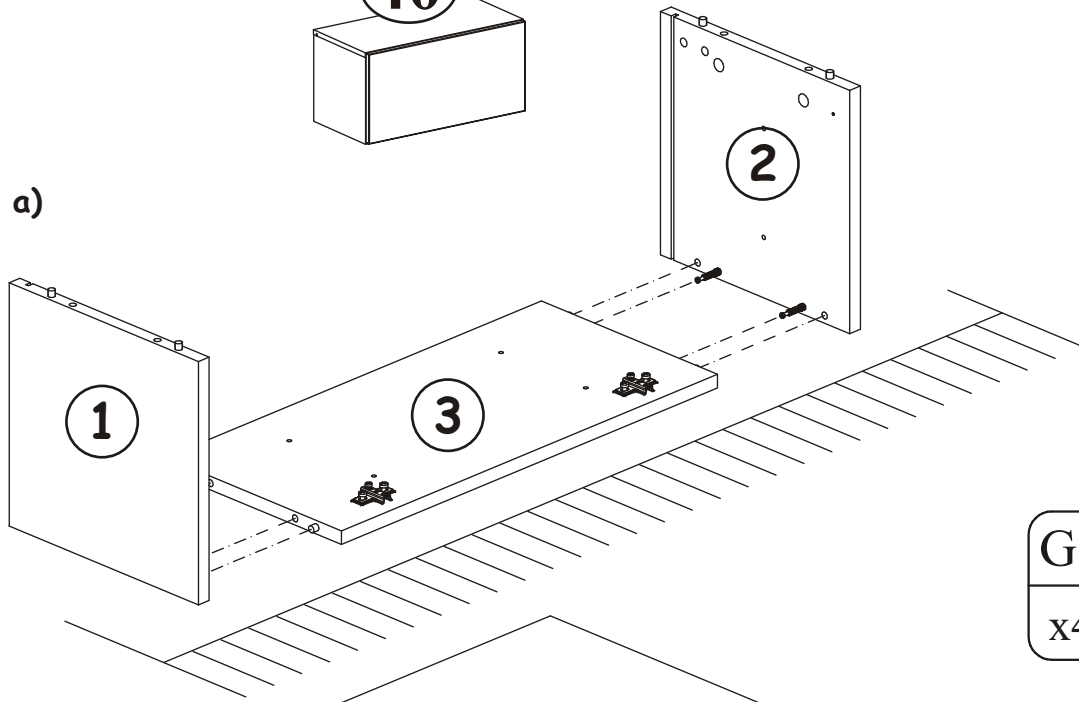
E2		B5		A1	
x2	H=0	x4	ø15x12	x4	ø8x36



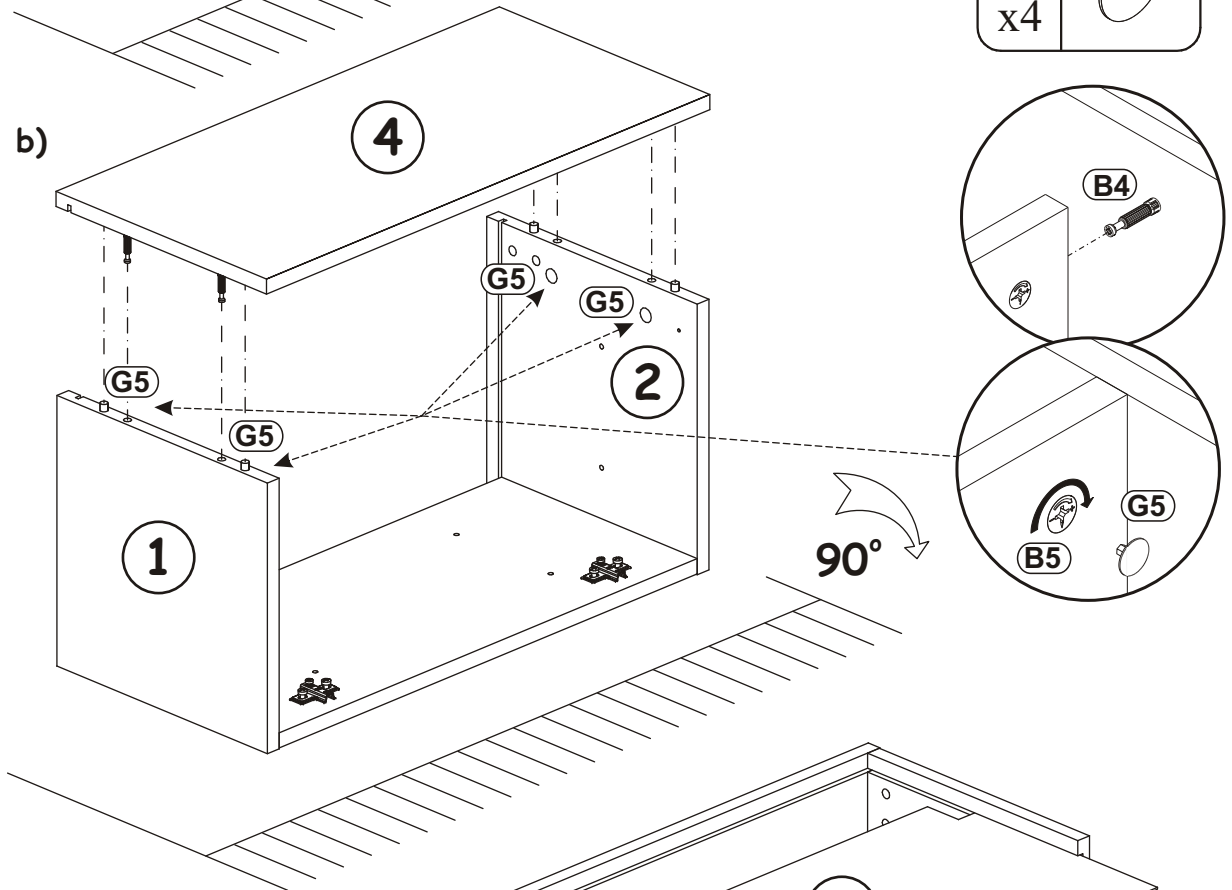
4



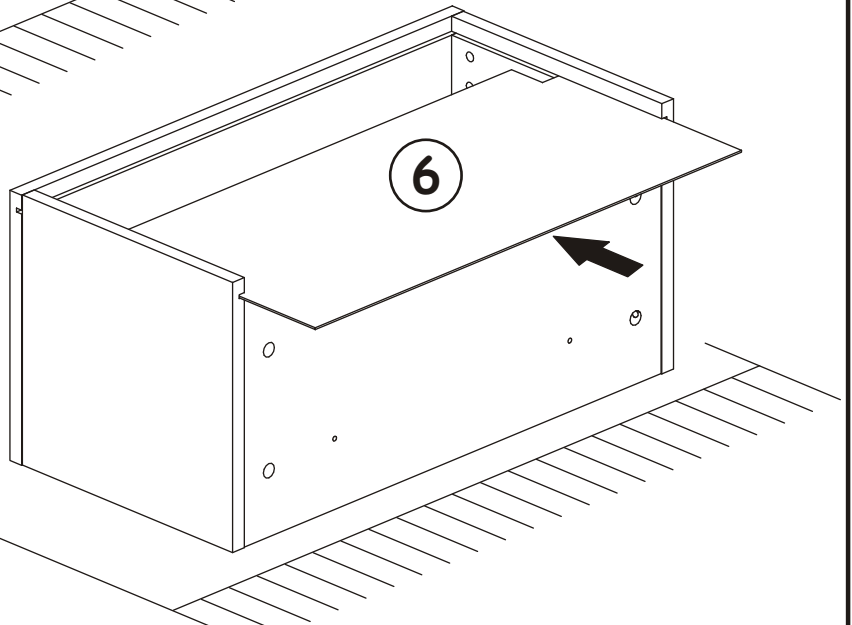
a)



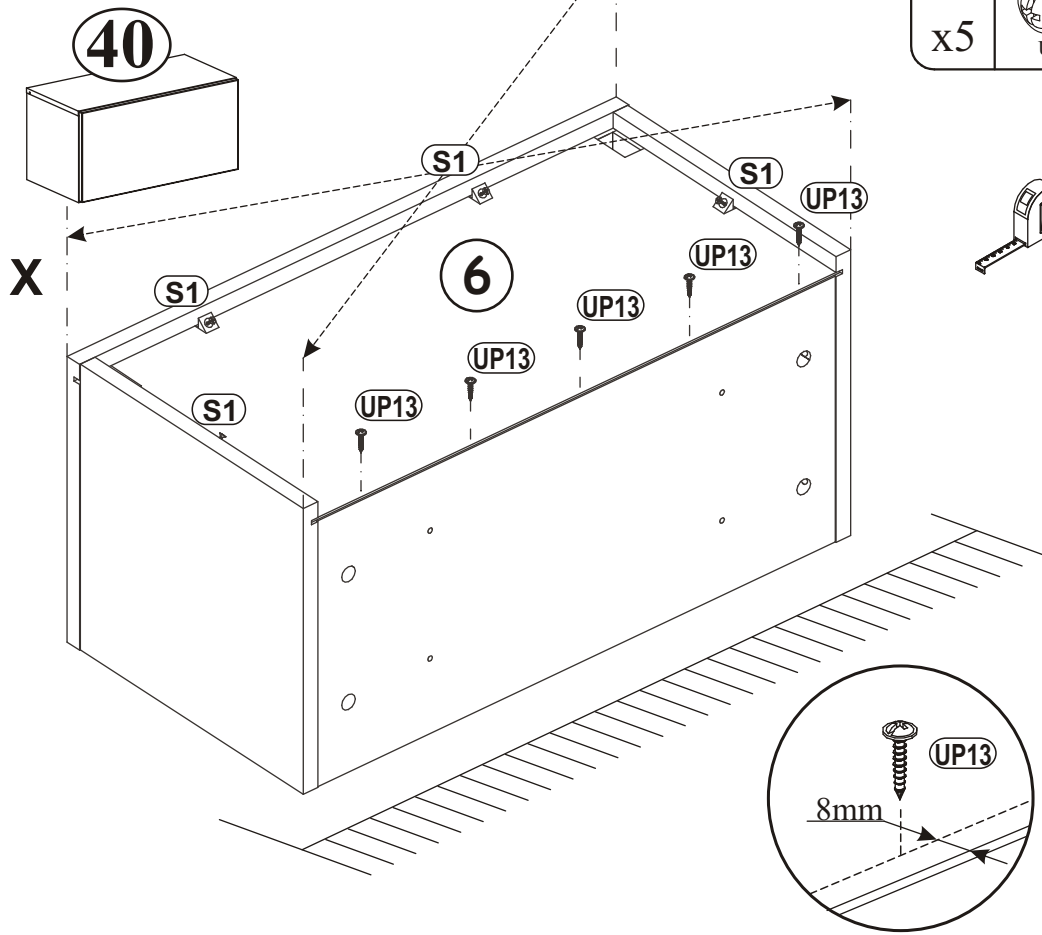
b)



c)

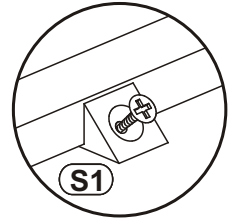
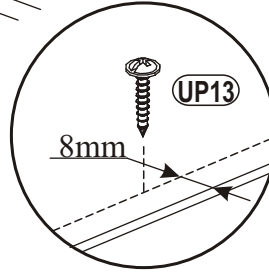
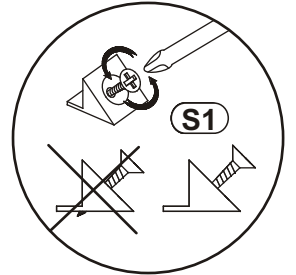


5

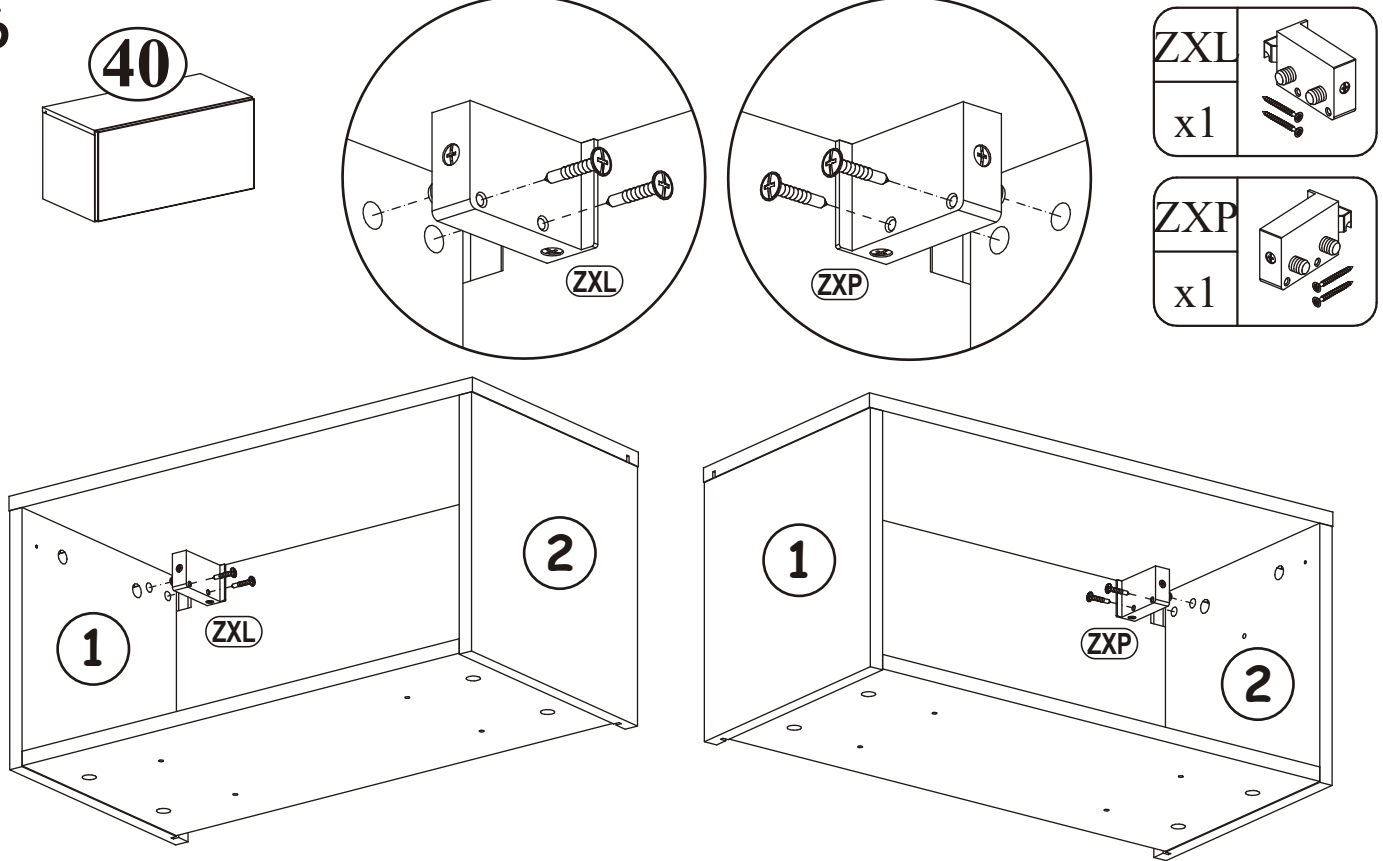


UP13	
x5	UPØ3x16

S1	
x4	



6

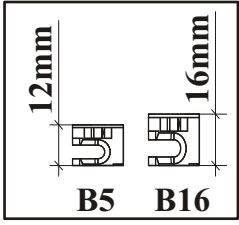
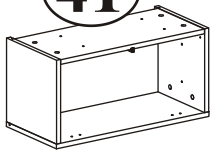


ZXL	
x1	

ZXP	
x1	

7

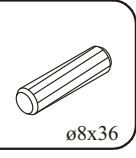
41



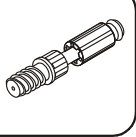
B5
x8



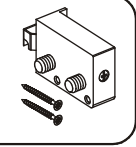
A1
x8



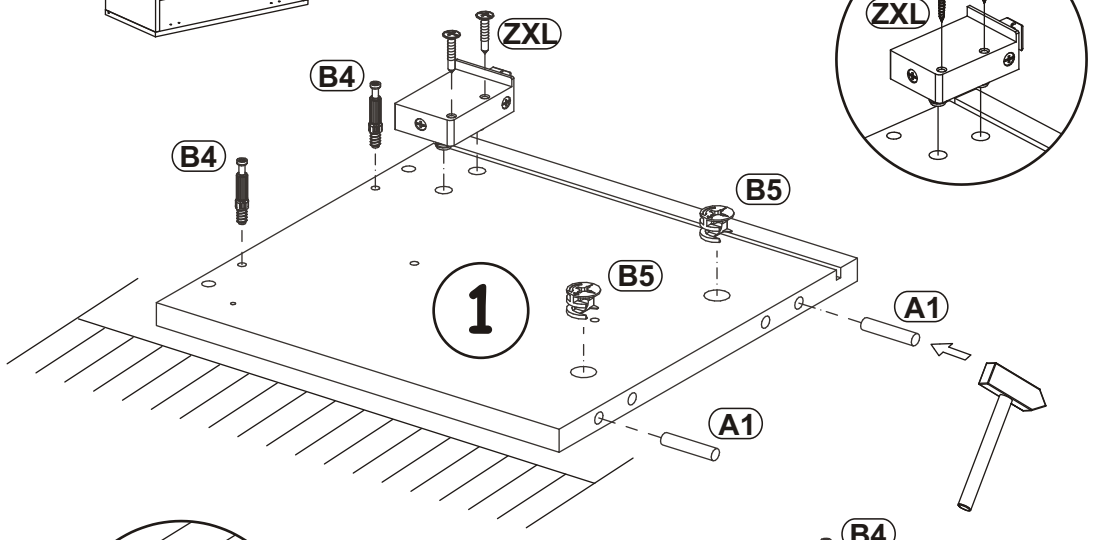
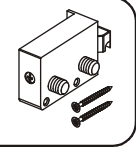
B4
x4



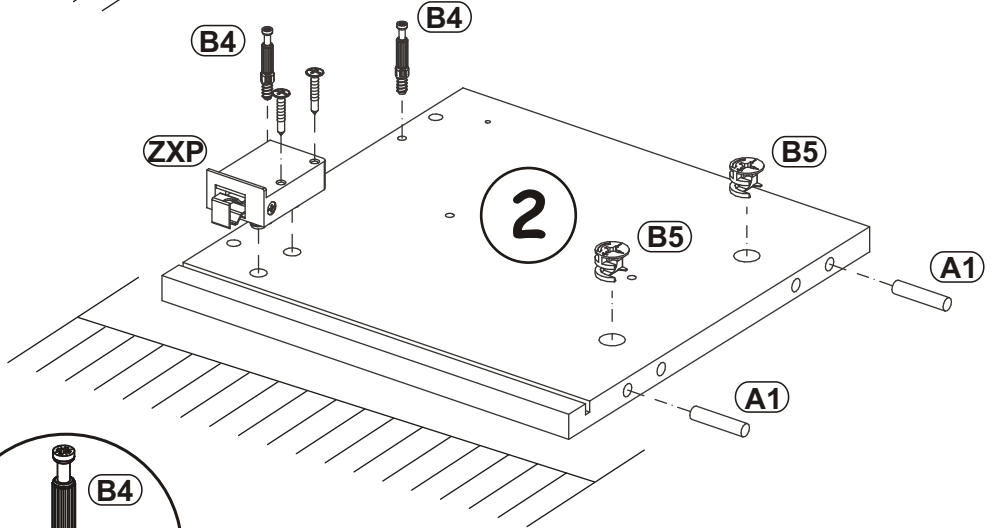
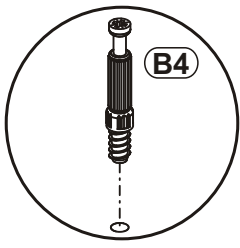
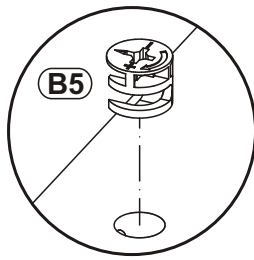
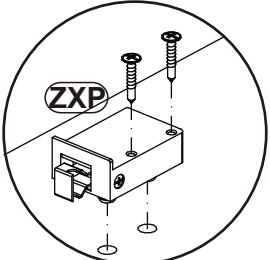
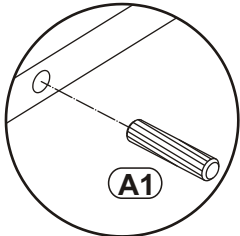
ZXL
x1



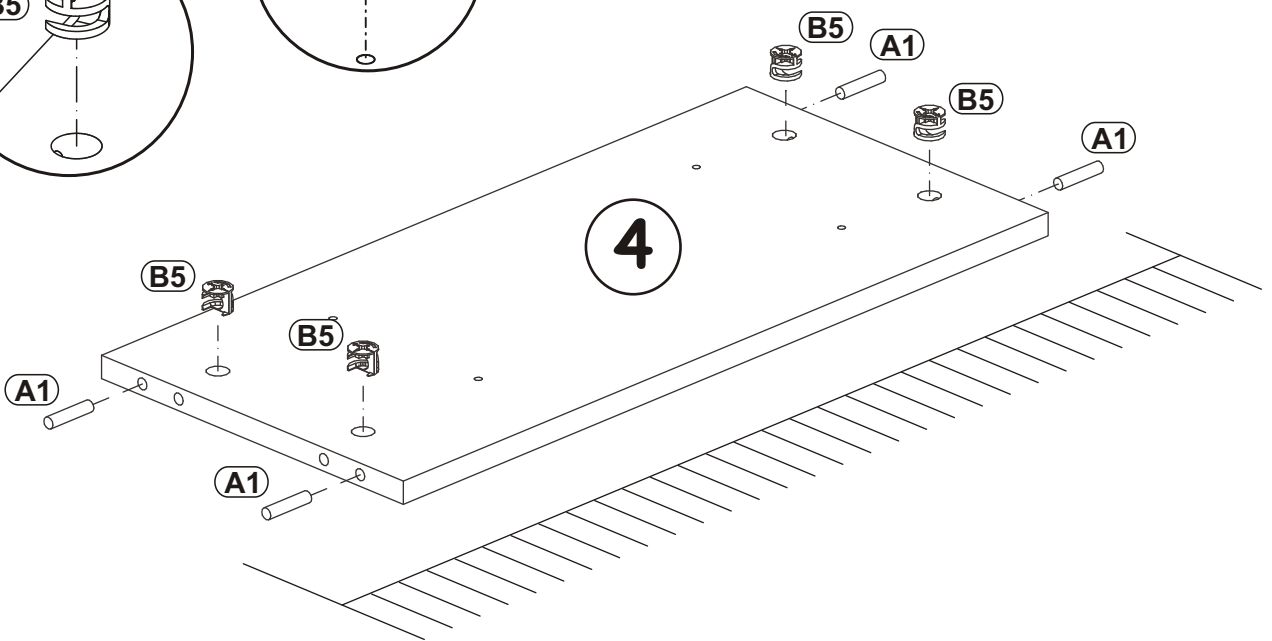
ZXP
x1



1

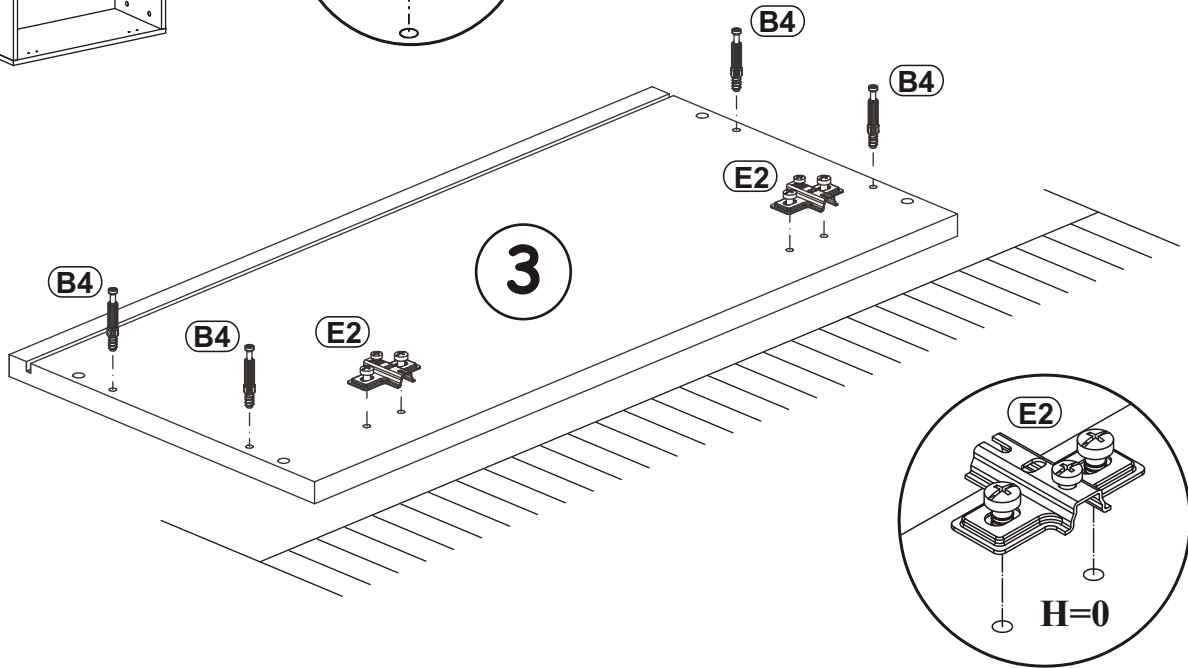
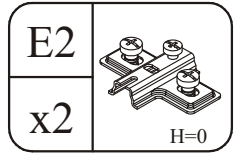
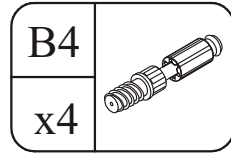
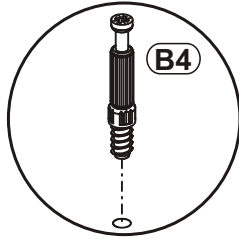


2

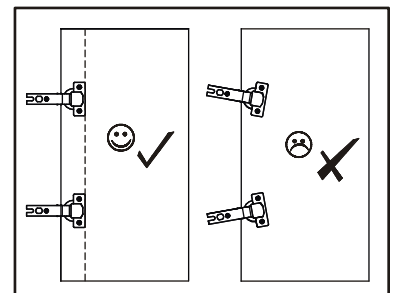
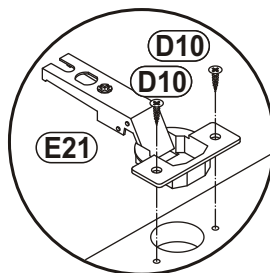
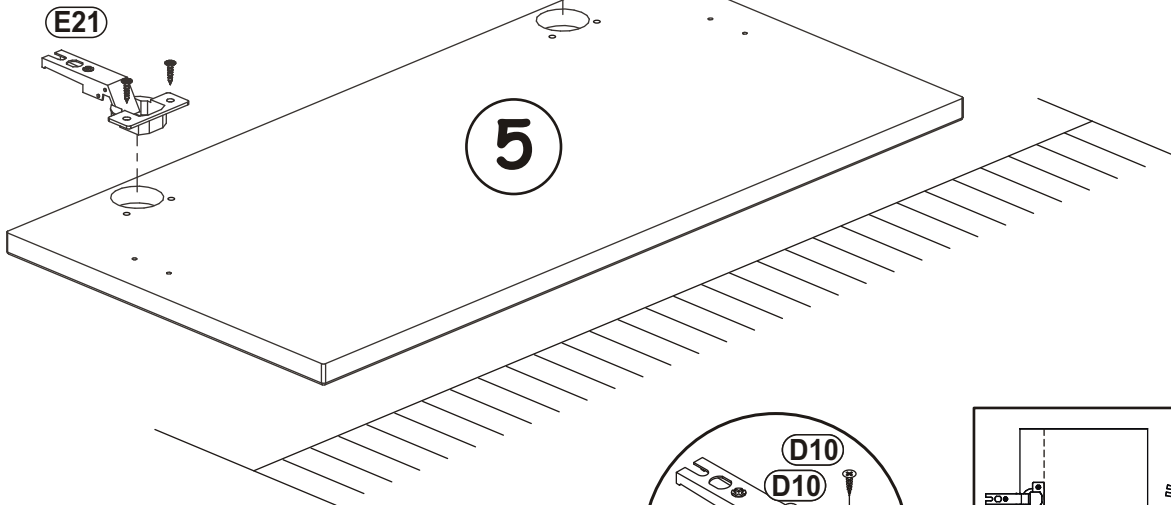
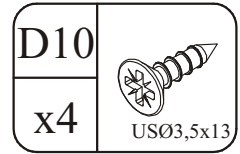
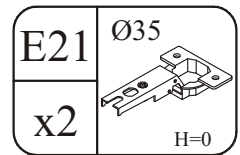
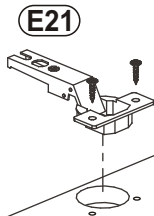


4

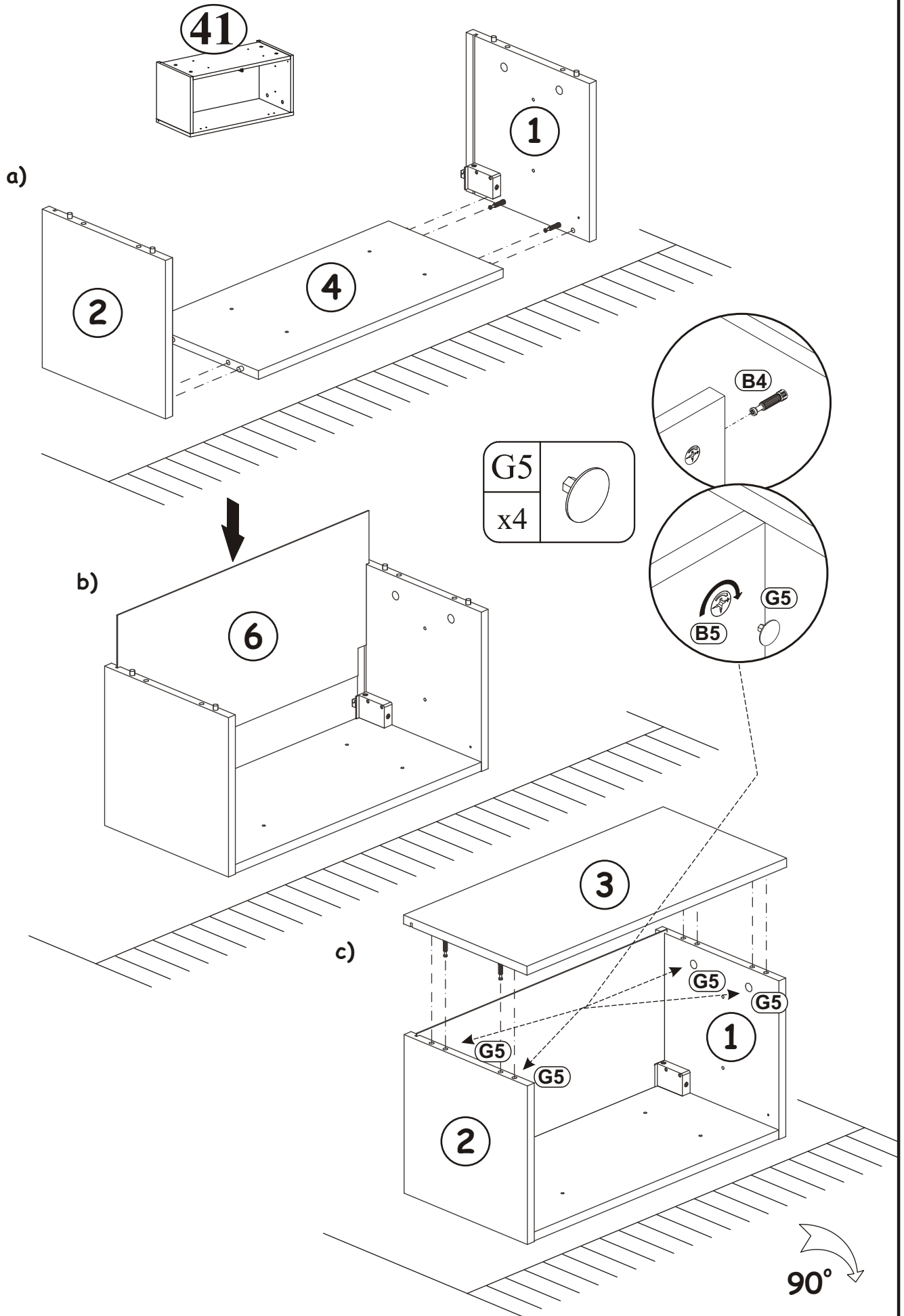
8



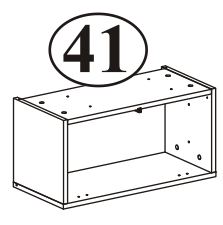
9




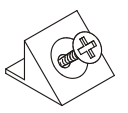
10

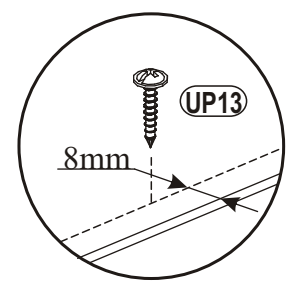
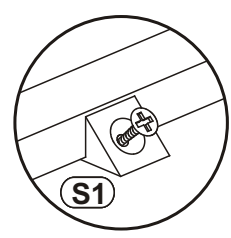
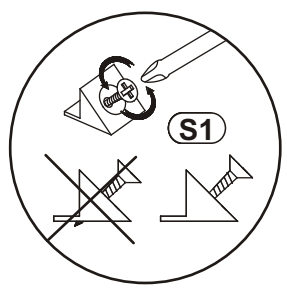
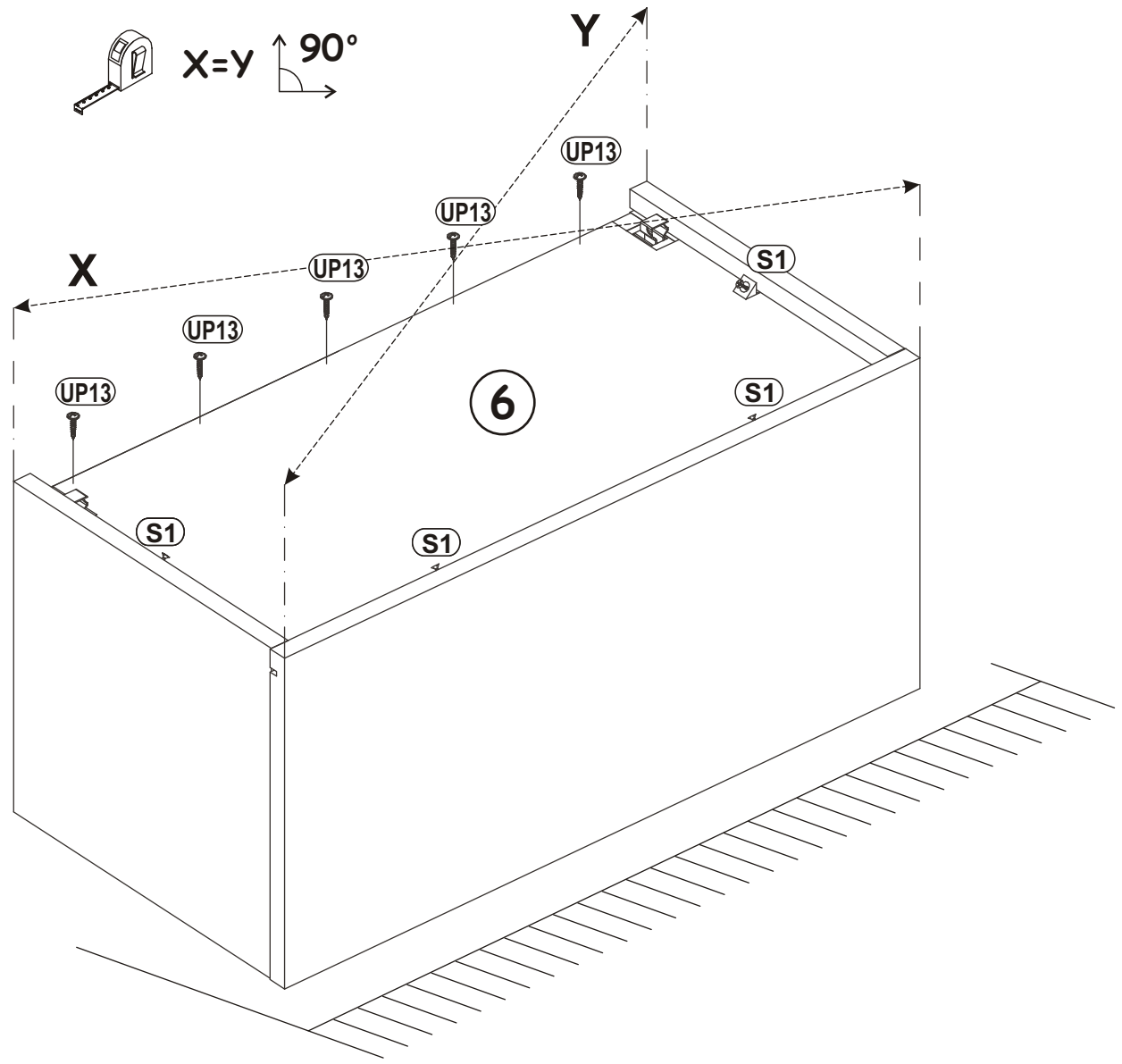


11

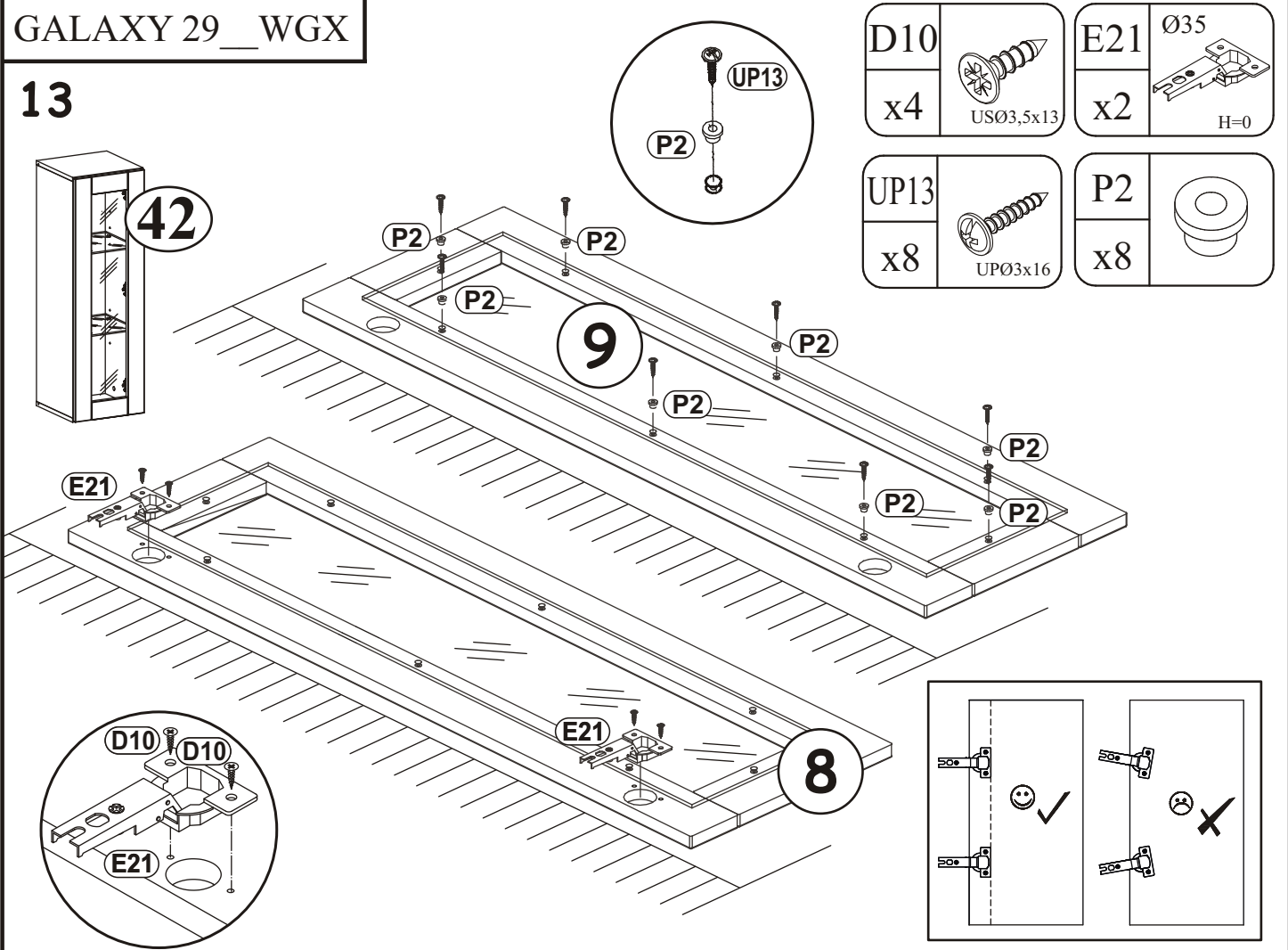


UP13	
x5	UPØ3x16

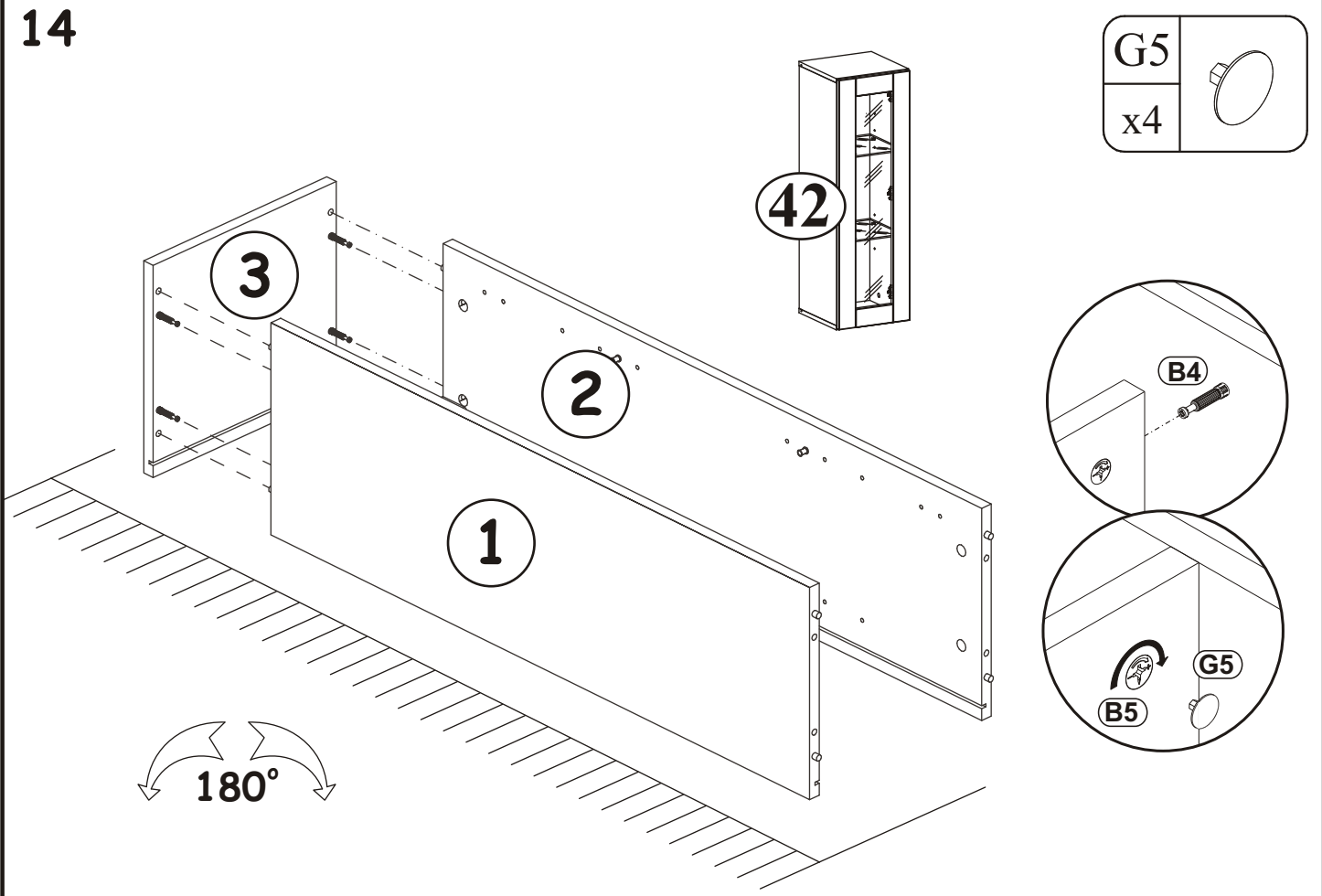
S1	
x4	




13

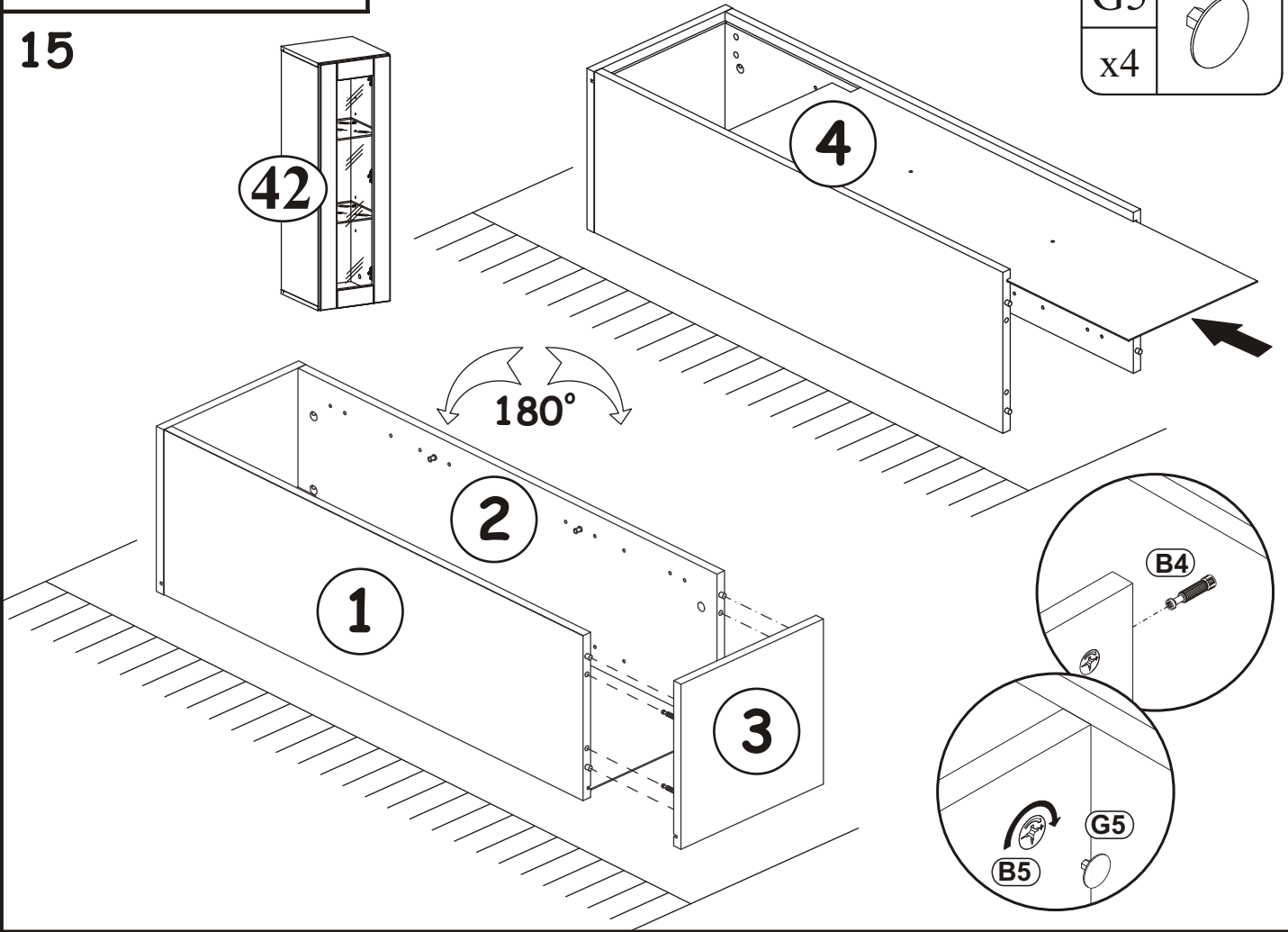


14

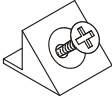


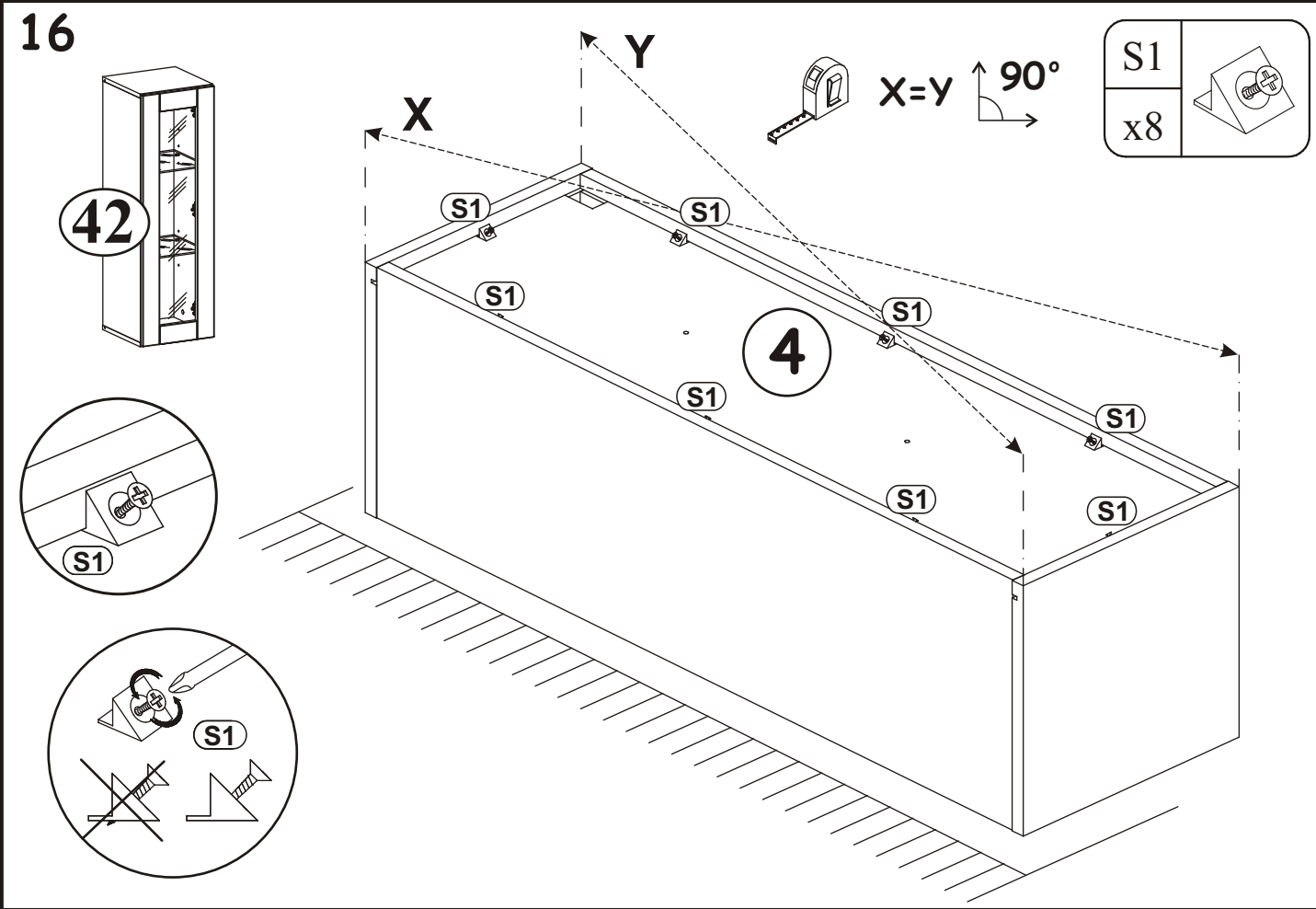
15

G5	
x4	

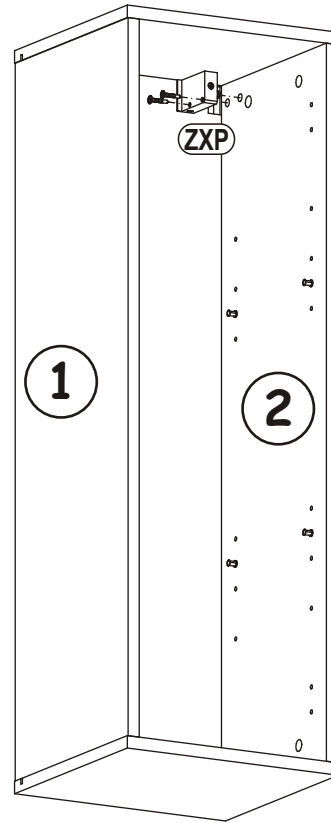
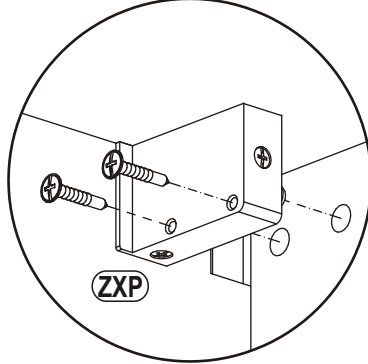
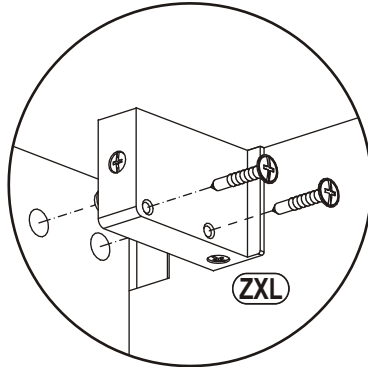
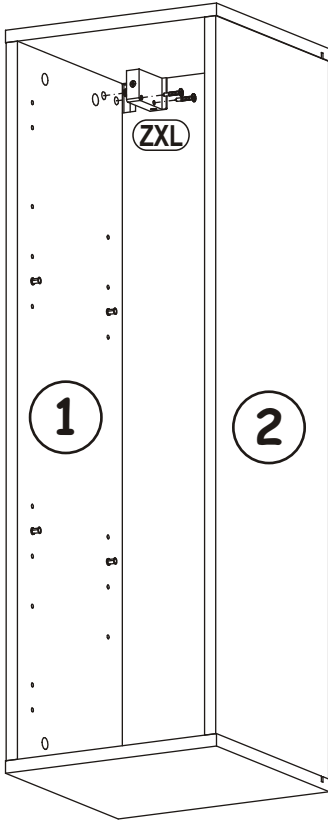
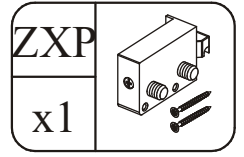
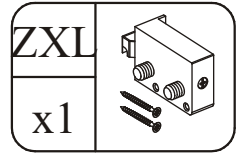


16

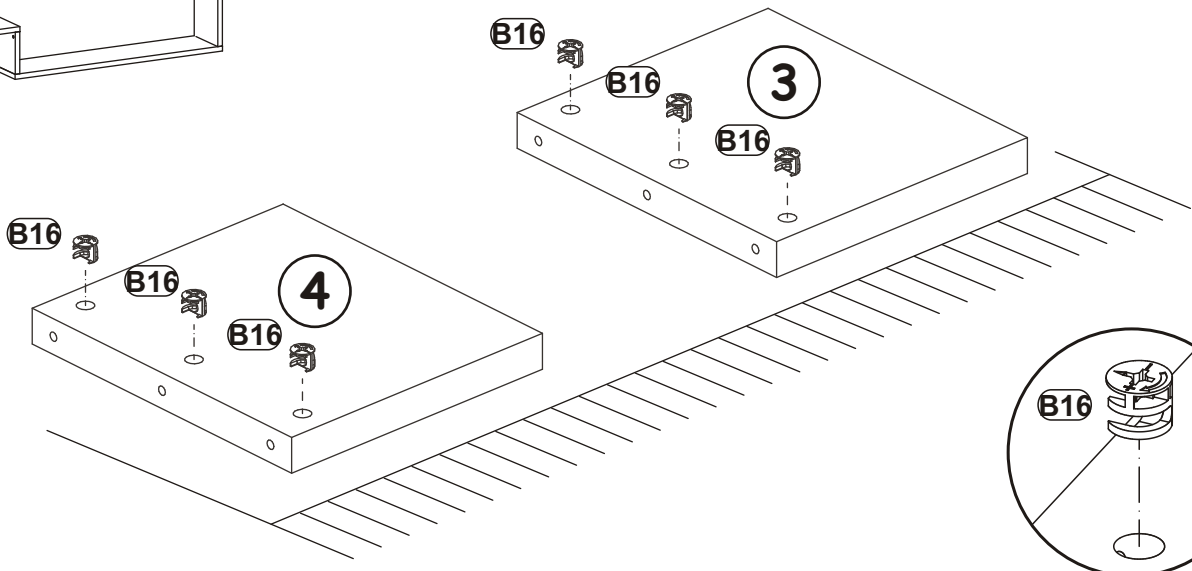
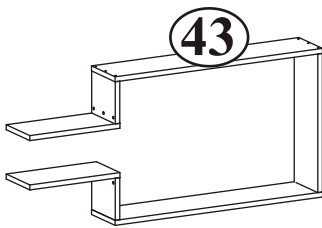
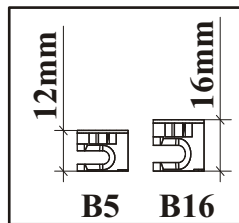
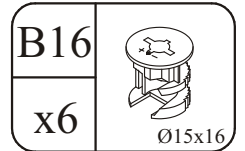
S1	
x8	



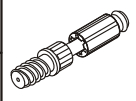
17

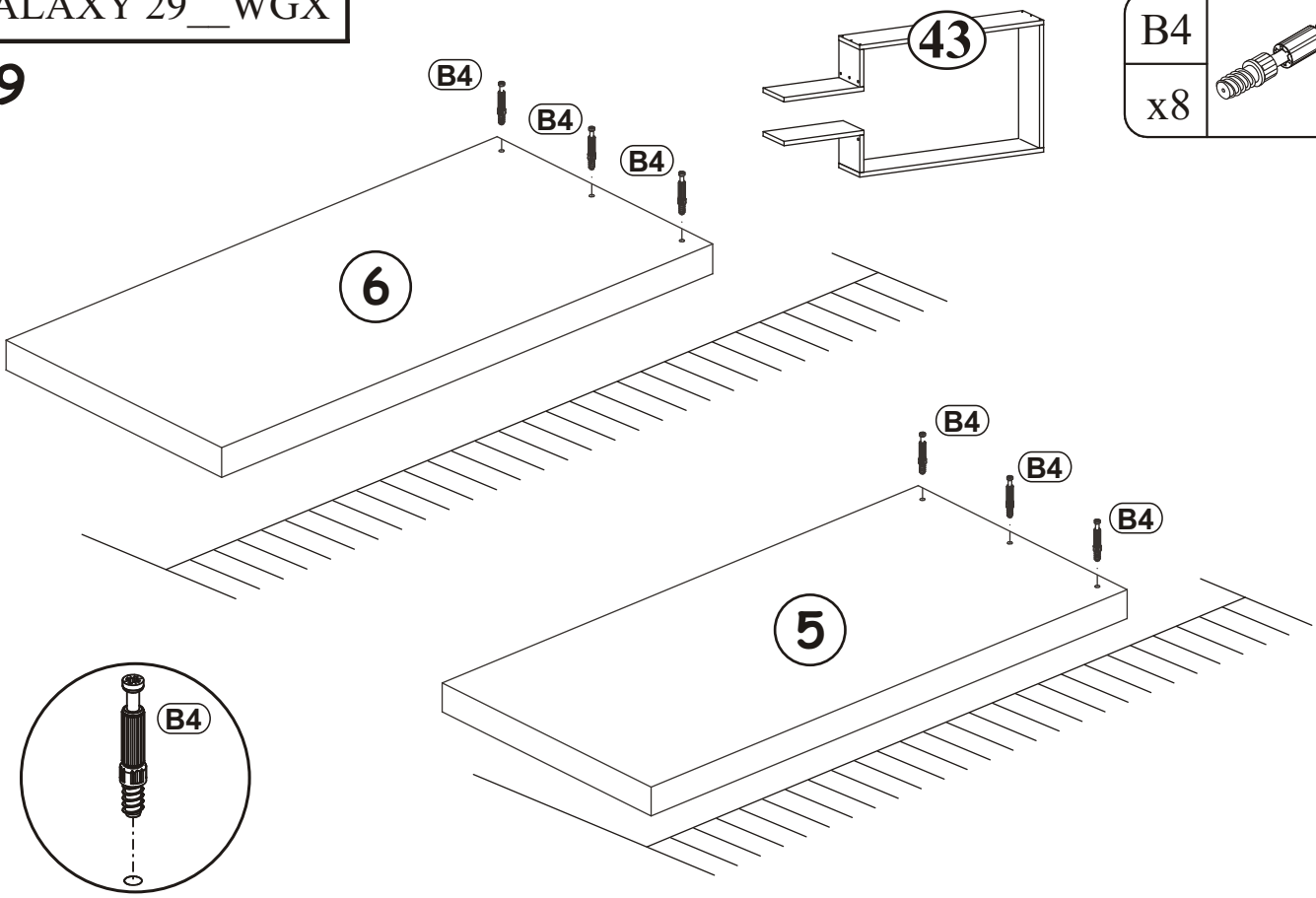


18

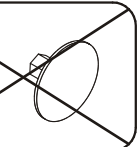


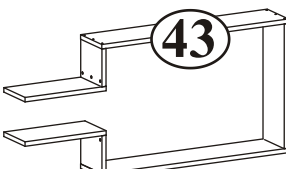
19

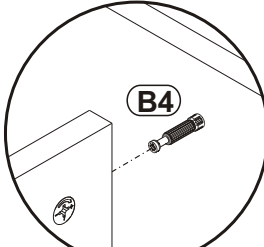
B4	
x8	

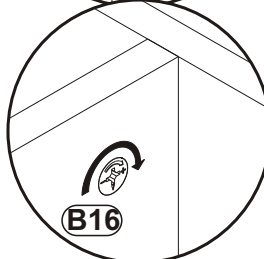


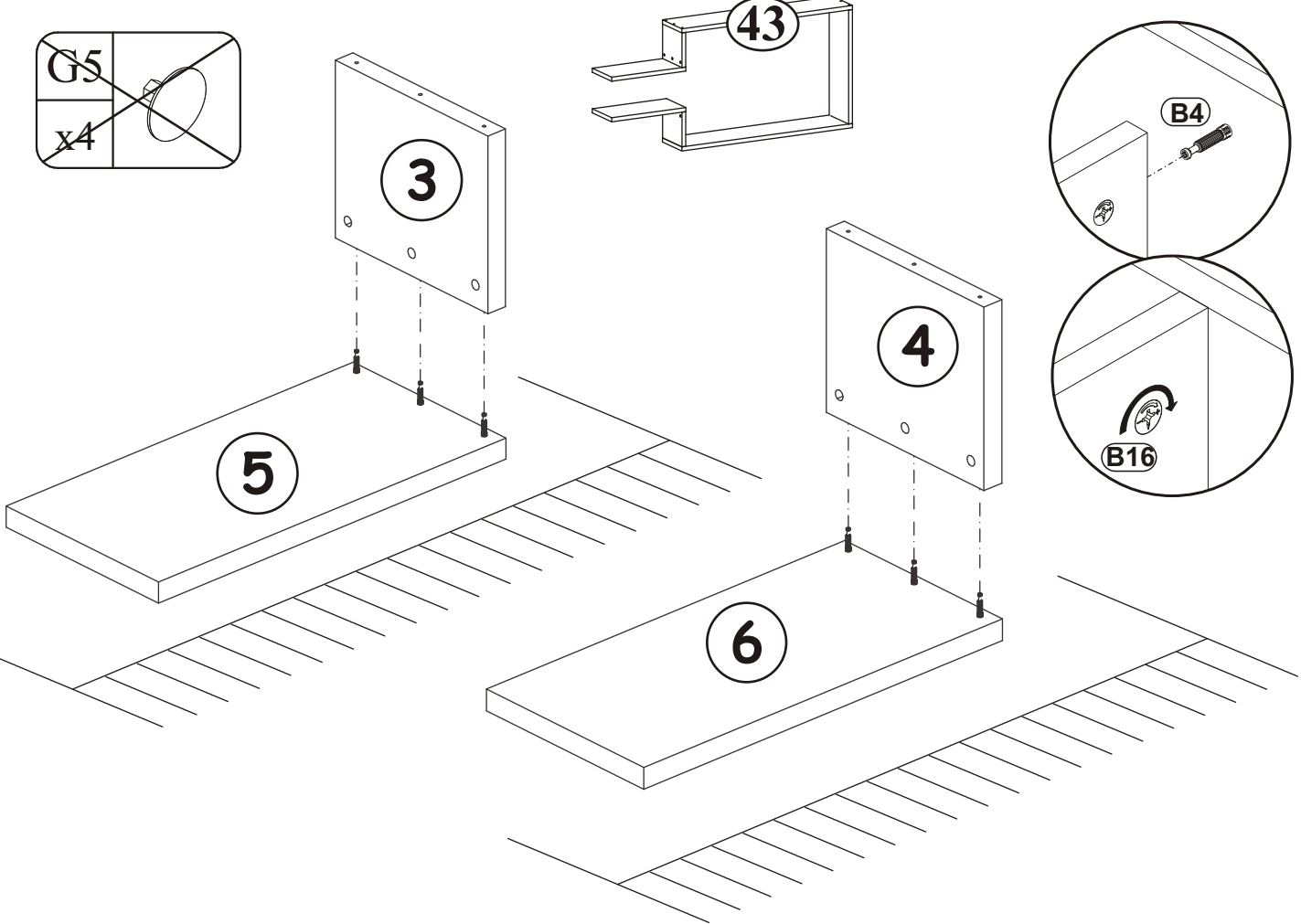
20

G5	
x4	

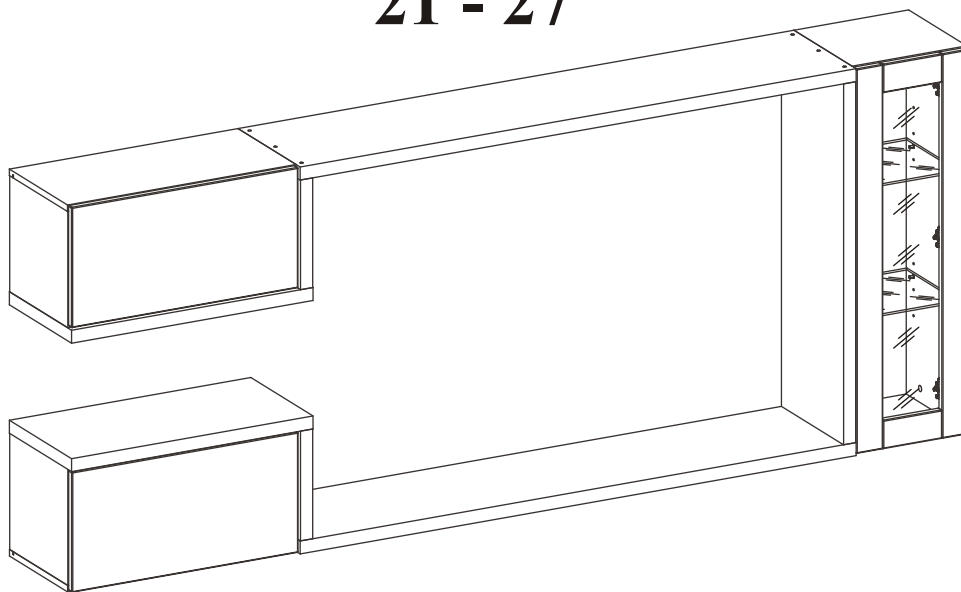
43	

B4	

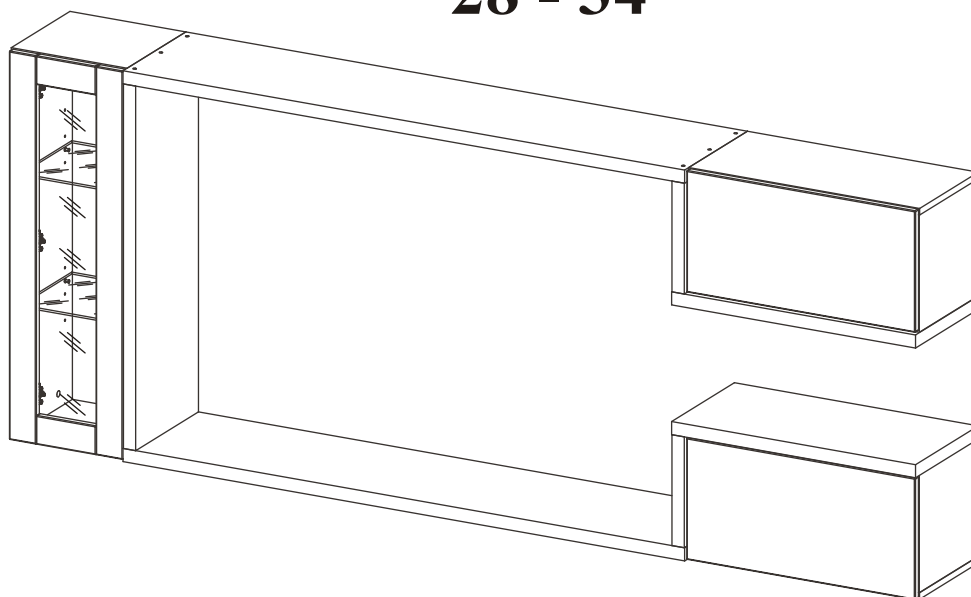
B16	



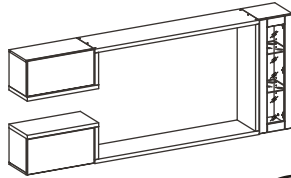
21 - 27




28 - 34

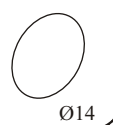


21

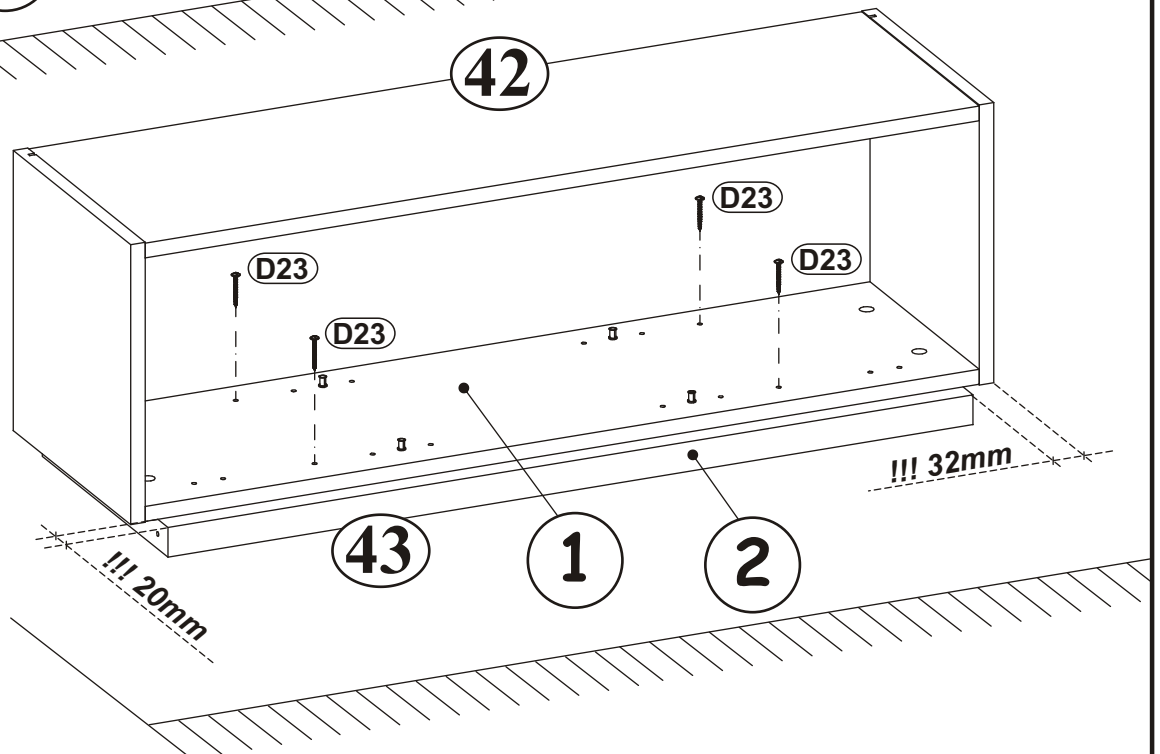
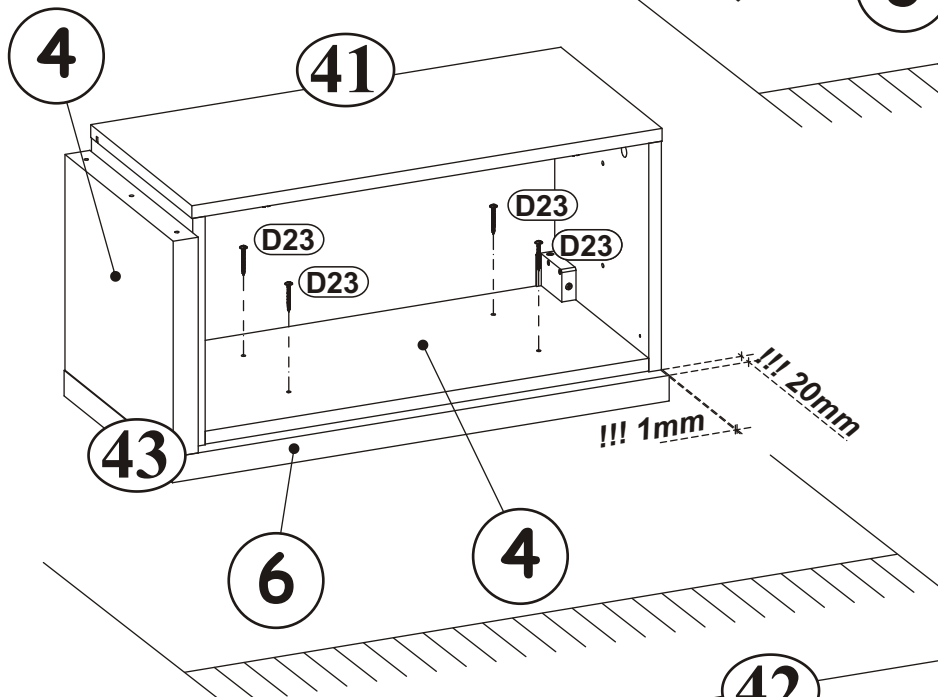
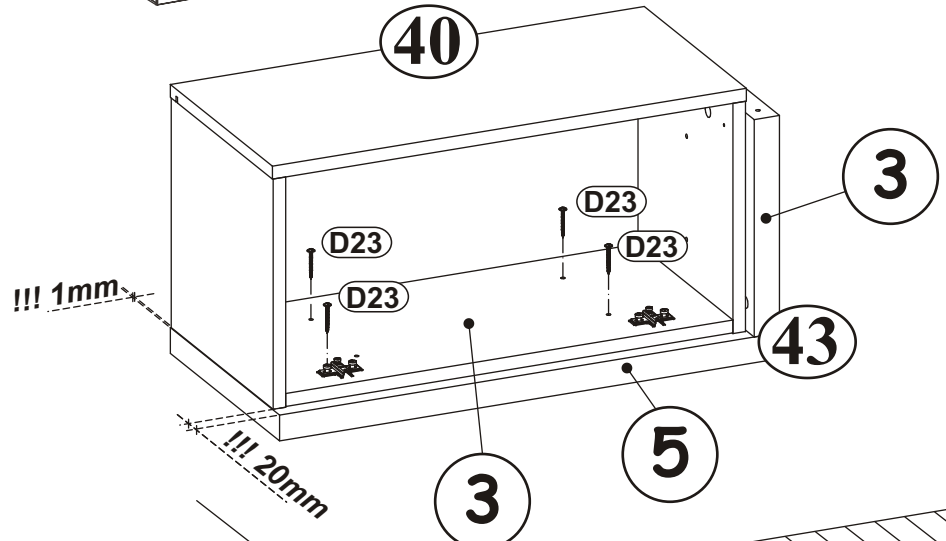
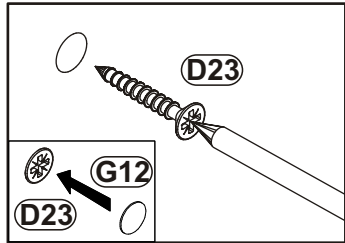
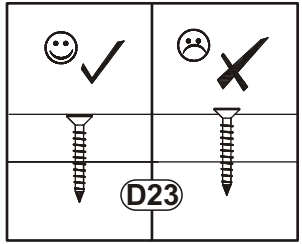


D23	
x12	

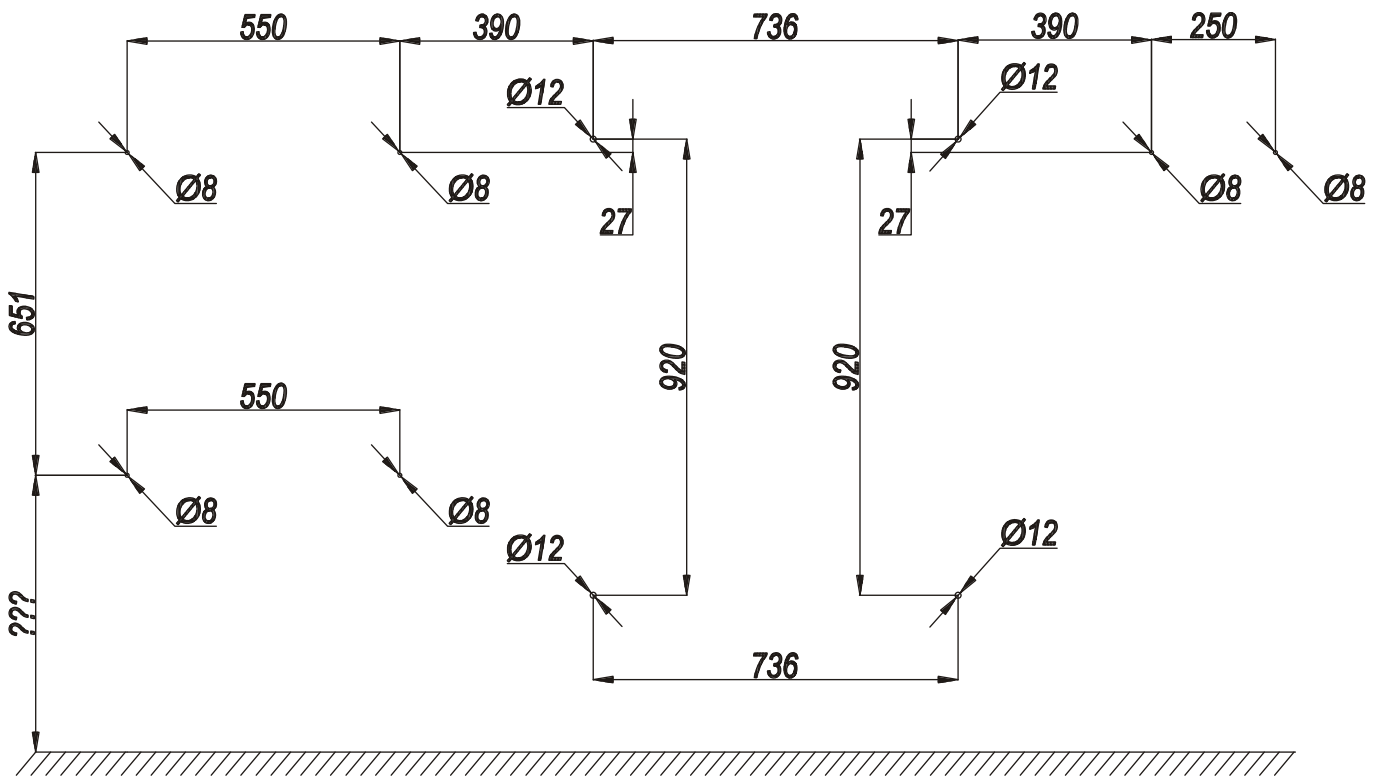
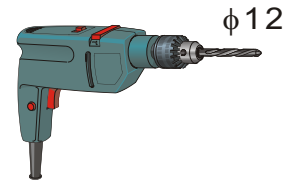
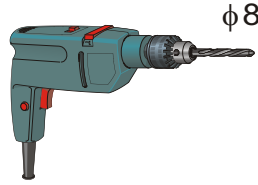
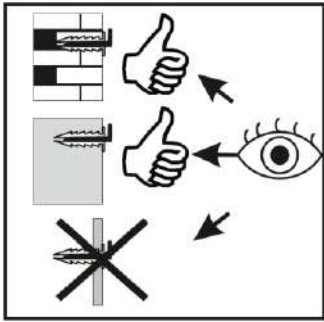
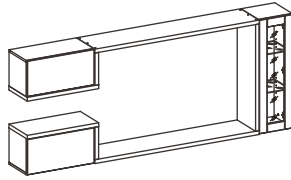
USØ3,5x35

G12	
x12	

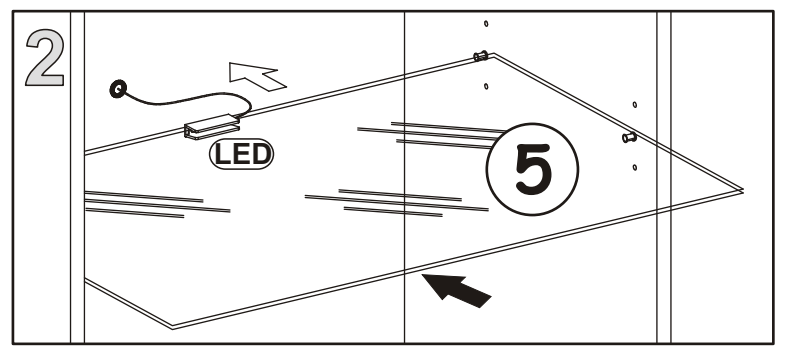
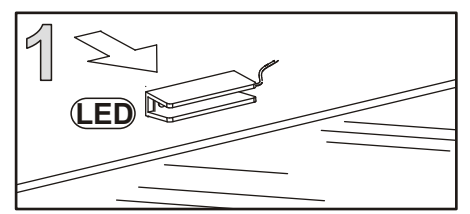
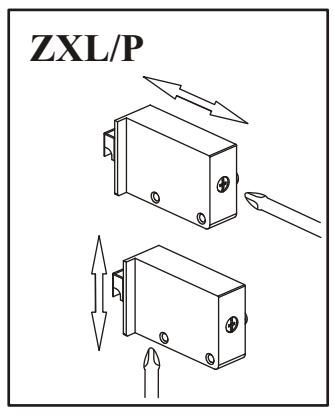
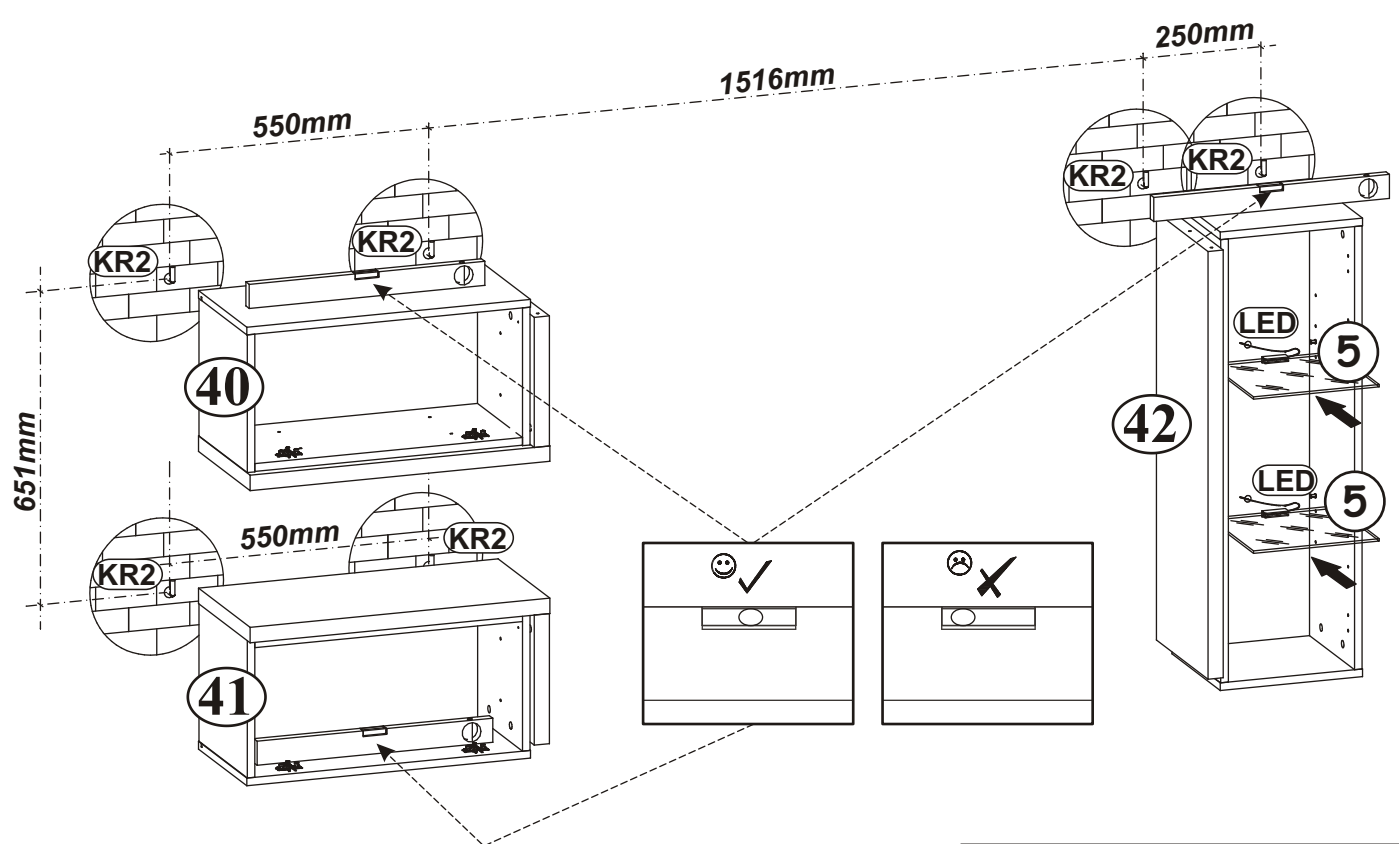
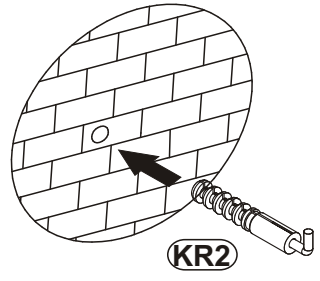
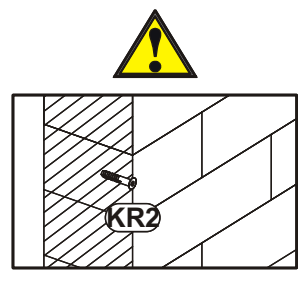
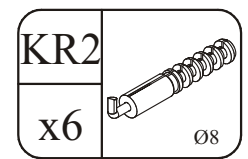
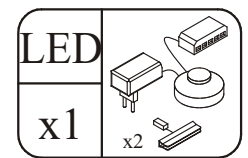
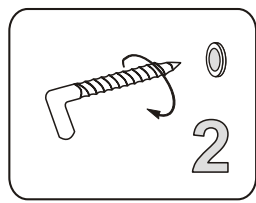
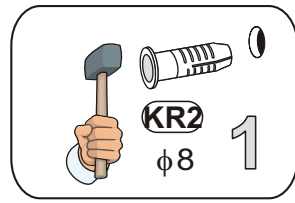
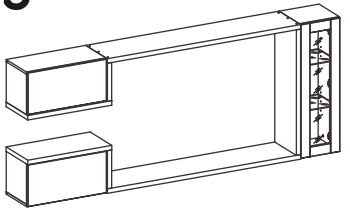
Ø14



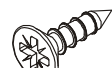
22




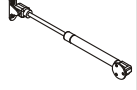
23




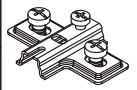
26

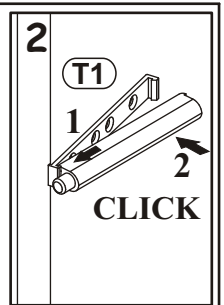
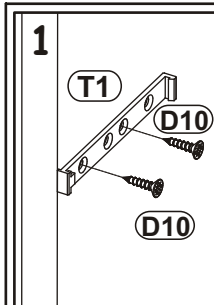
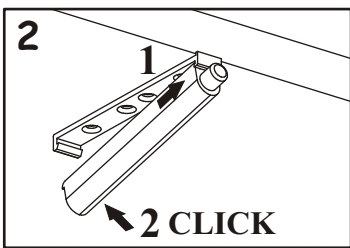
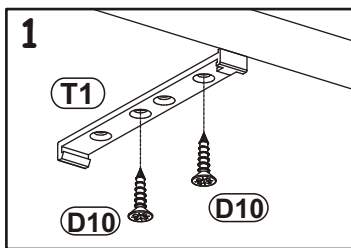
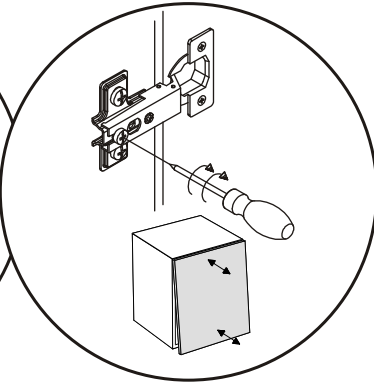
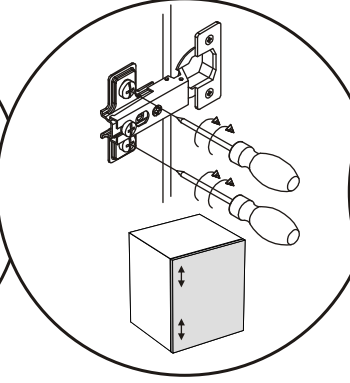
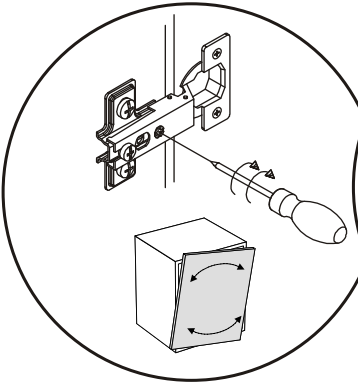
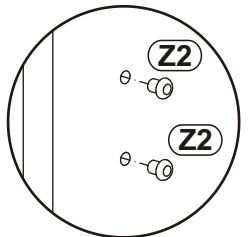
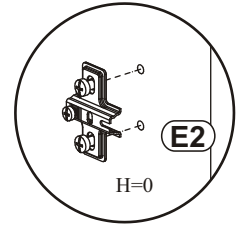
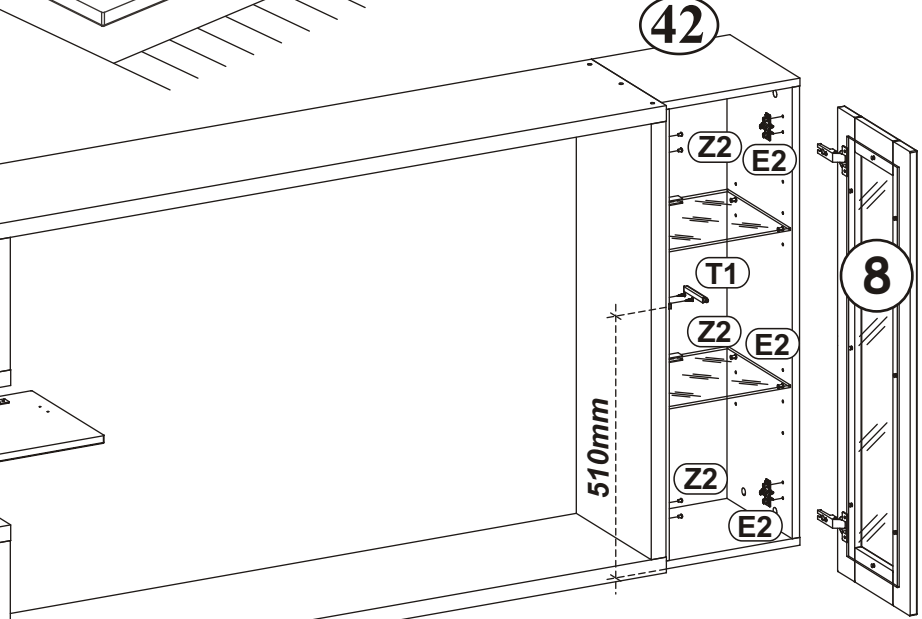
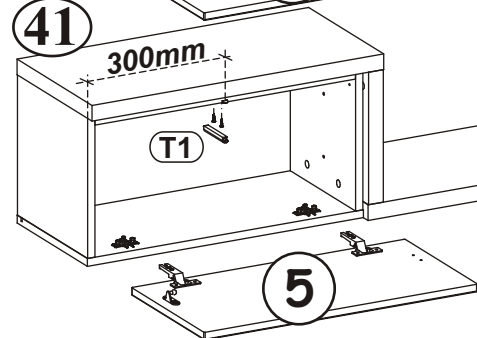
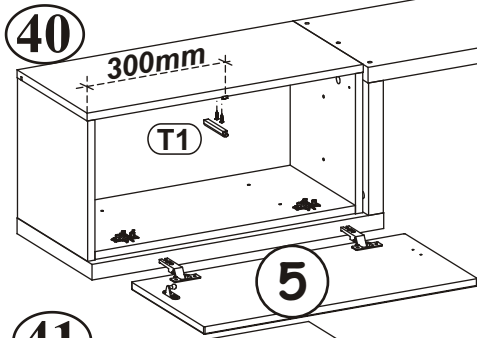
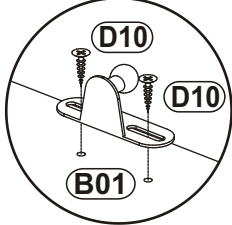
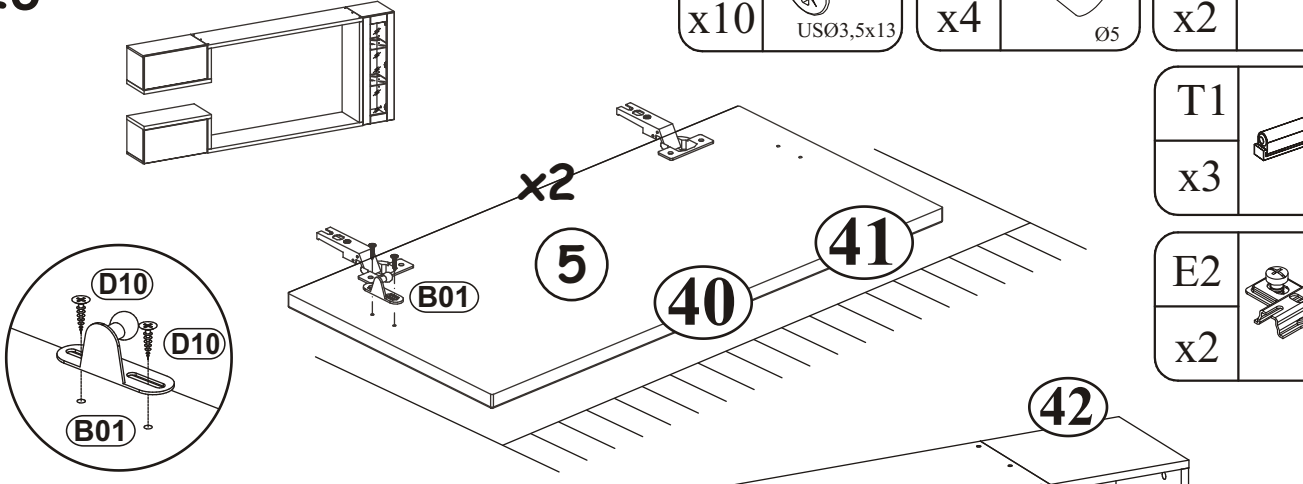
D10	
x10	USØ3,5x13

Z2	
x4	Ø5

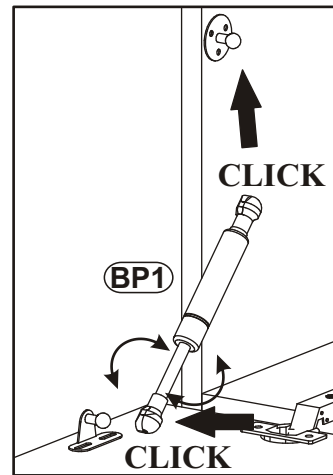
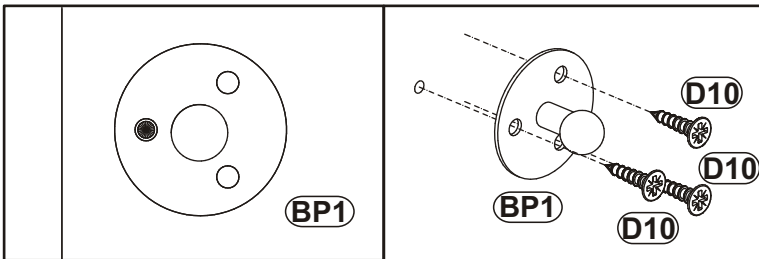
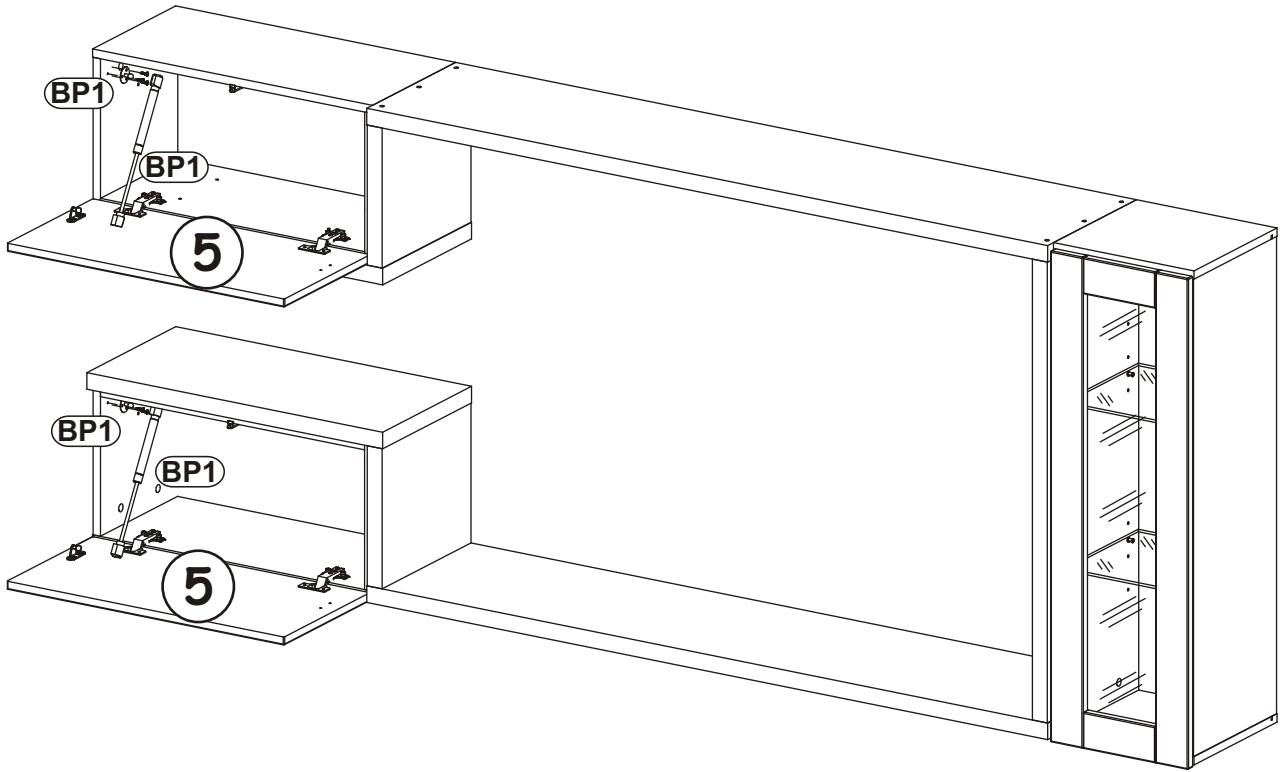
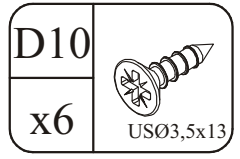
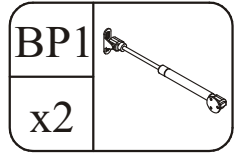
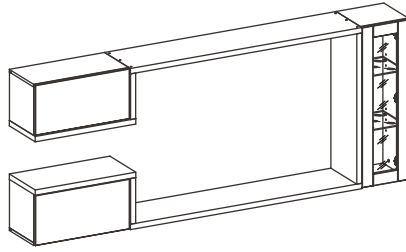
BP1	
x2	

T1	
x3	

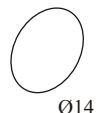
E2	
x2	H=0




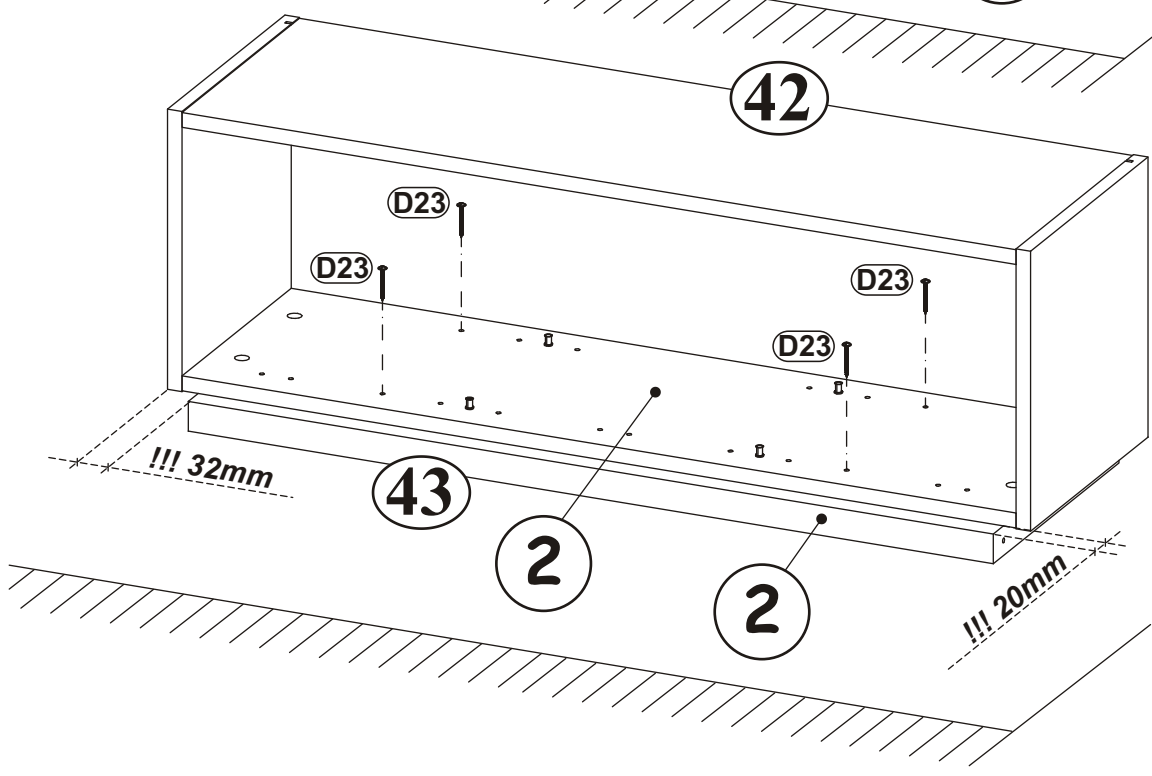
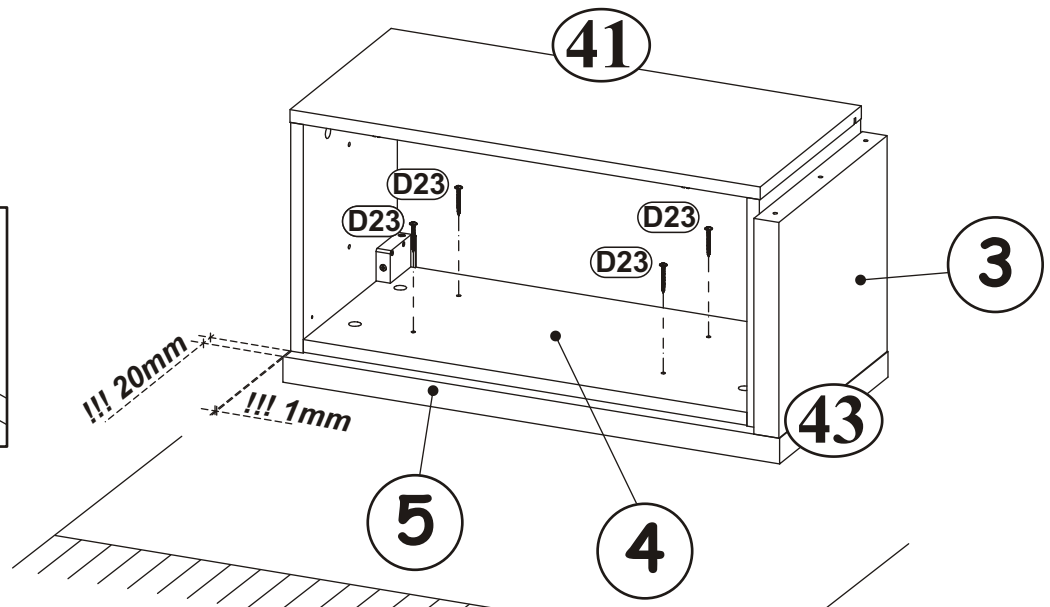
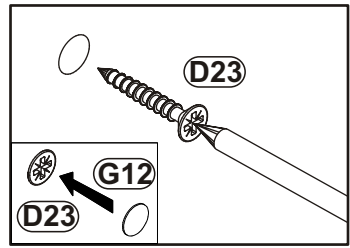
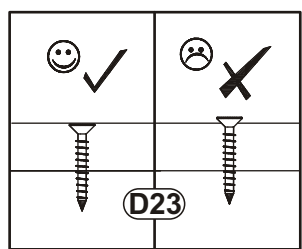
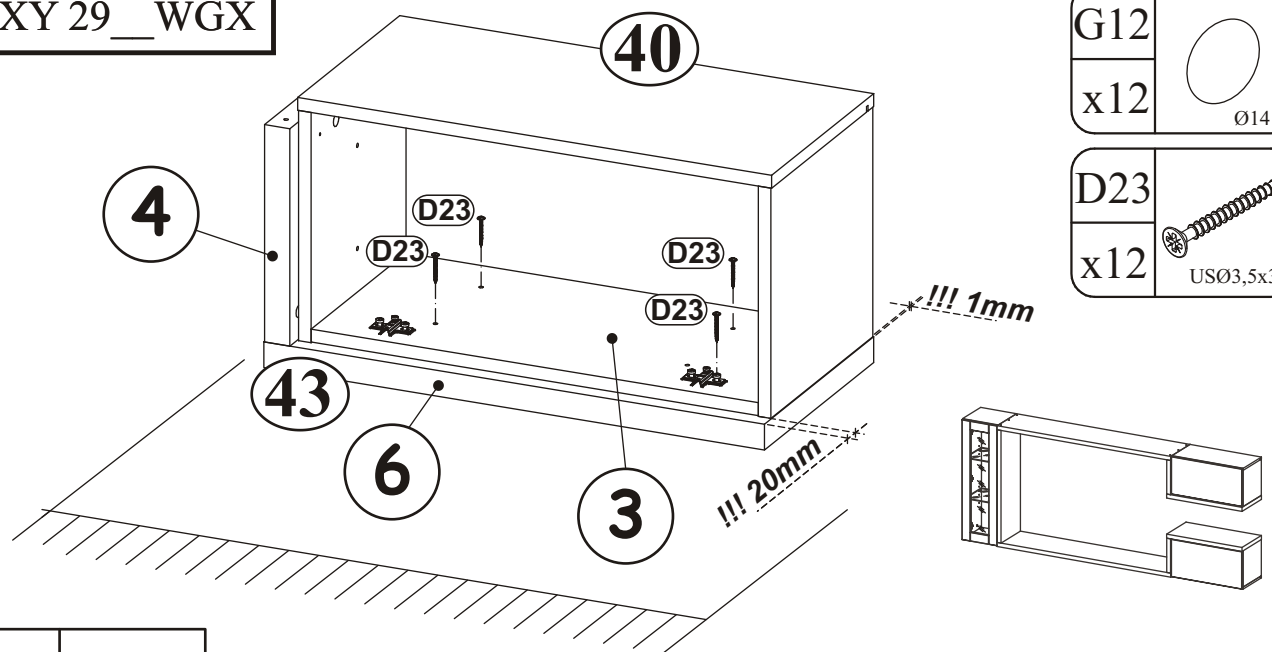
27



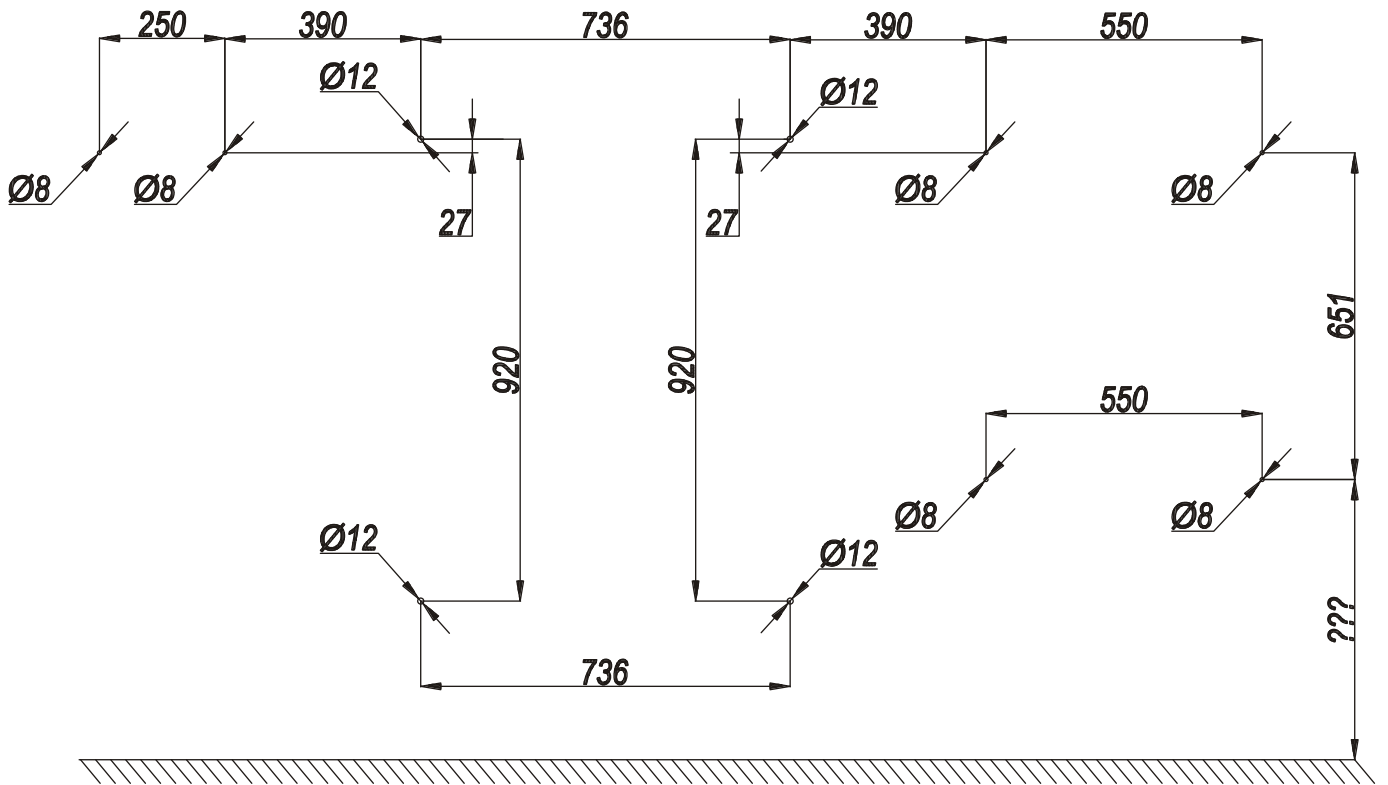
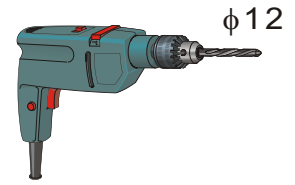
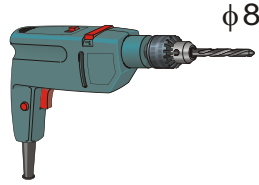
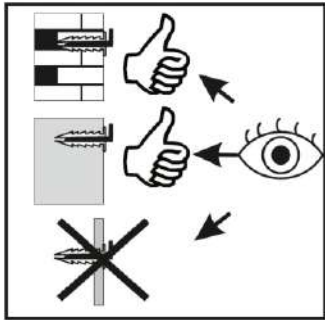
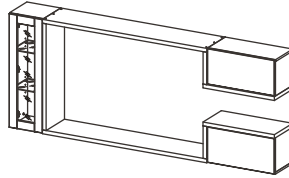
28

G12	
x12	Ø14

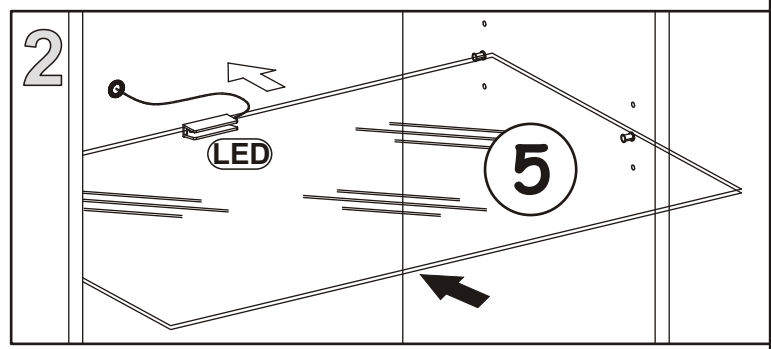
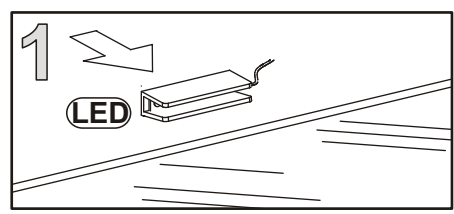
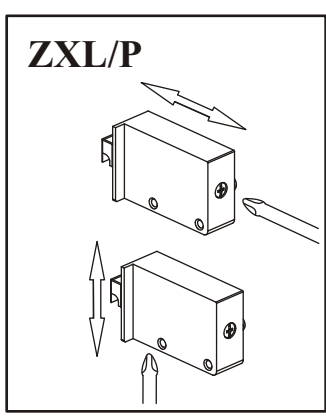
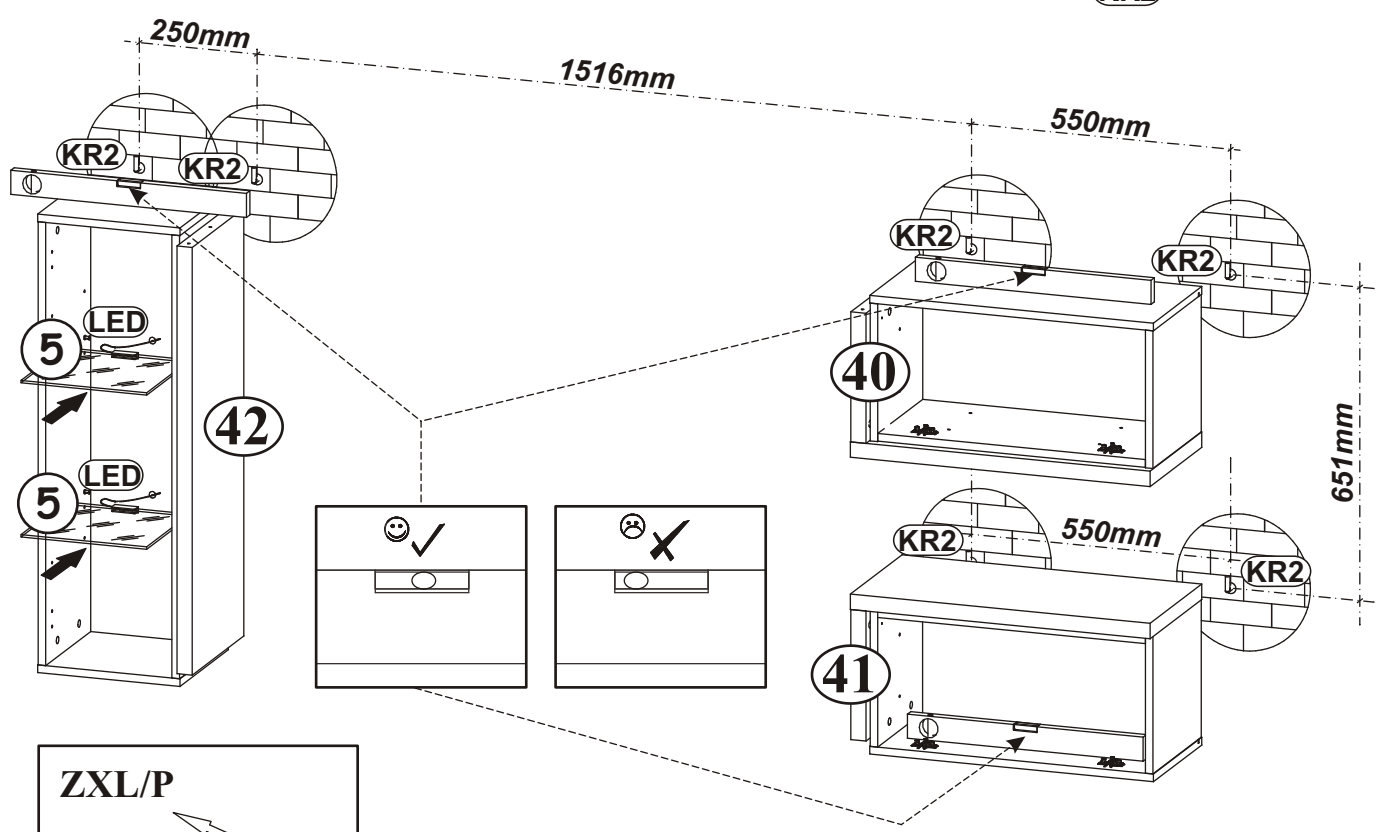
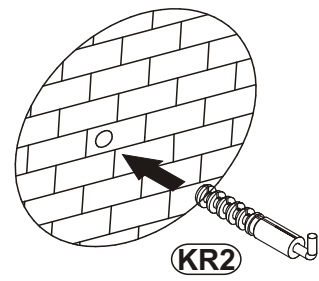
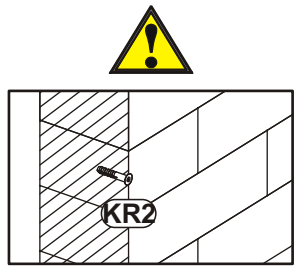
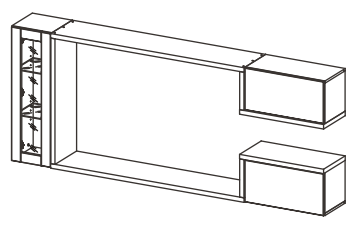
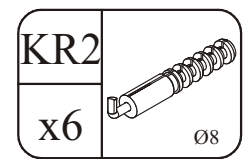
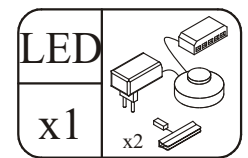
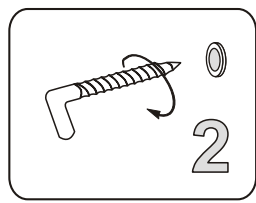
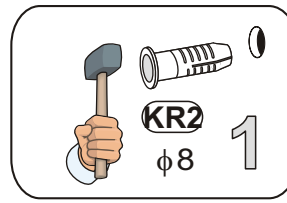
D23	
x12	USØ3,5x35



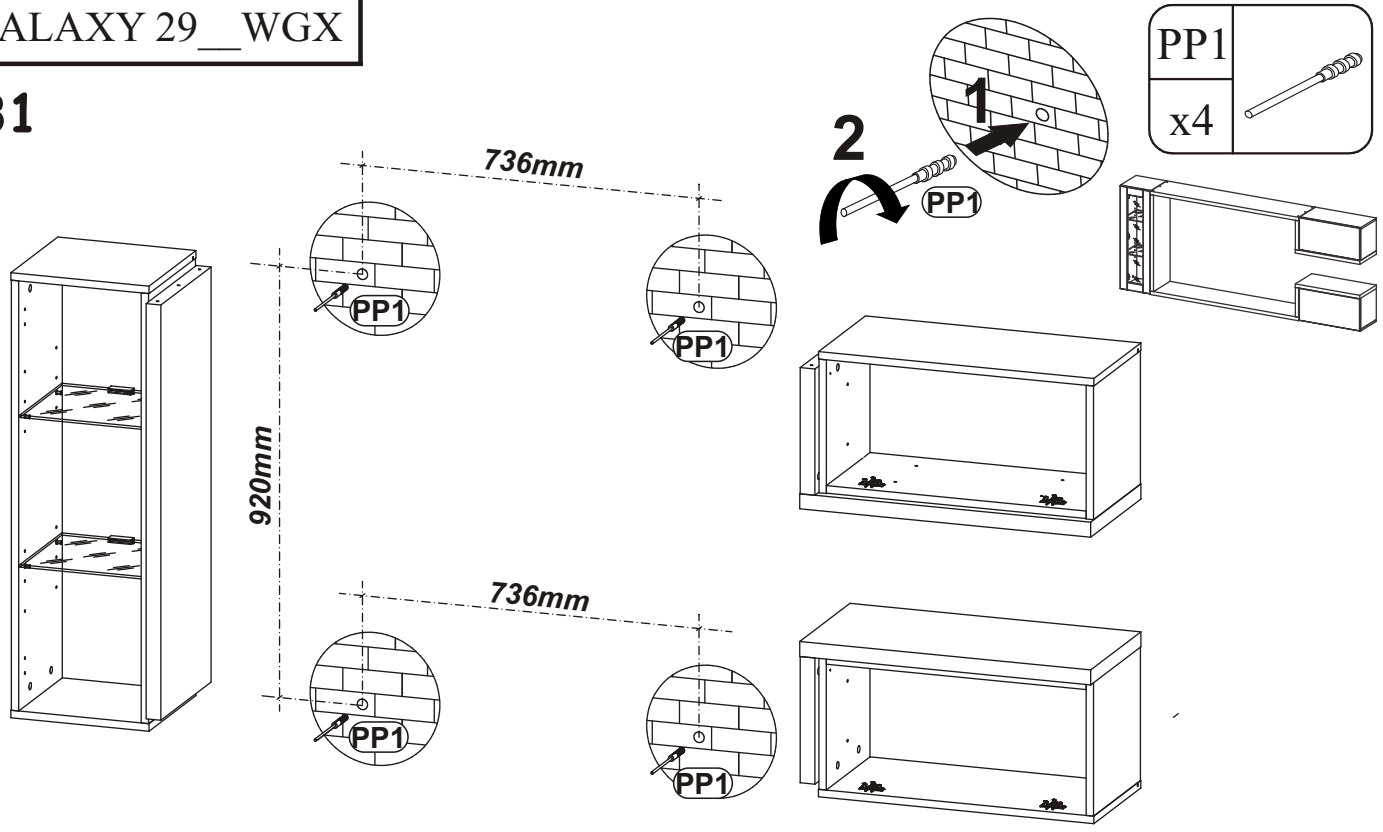
29



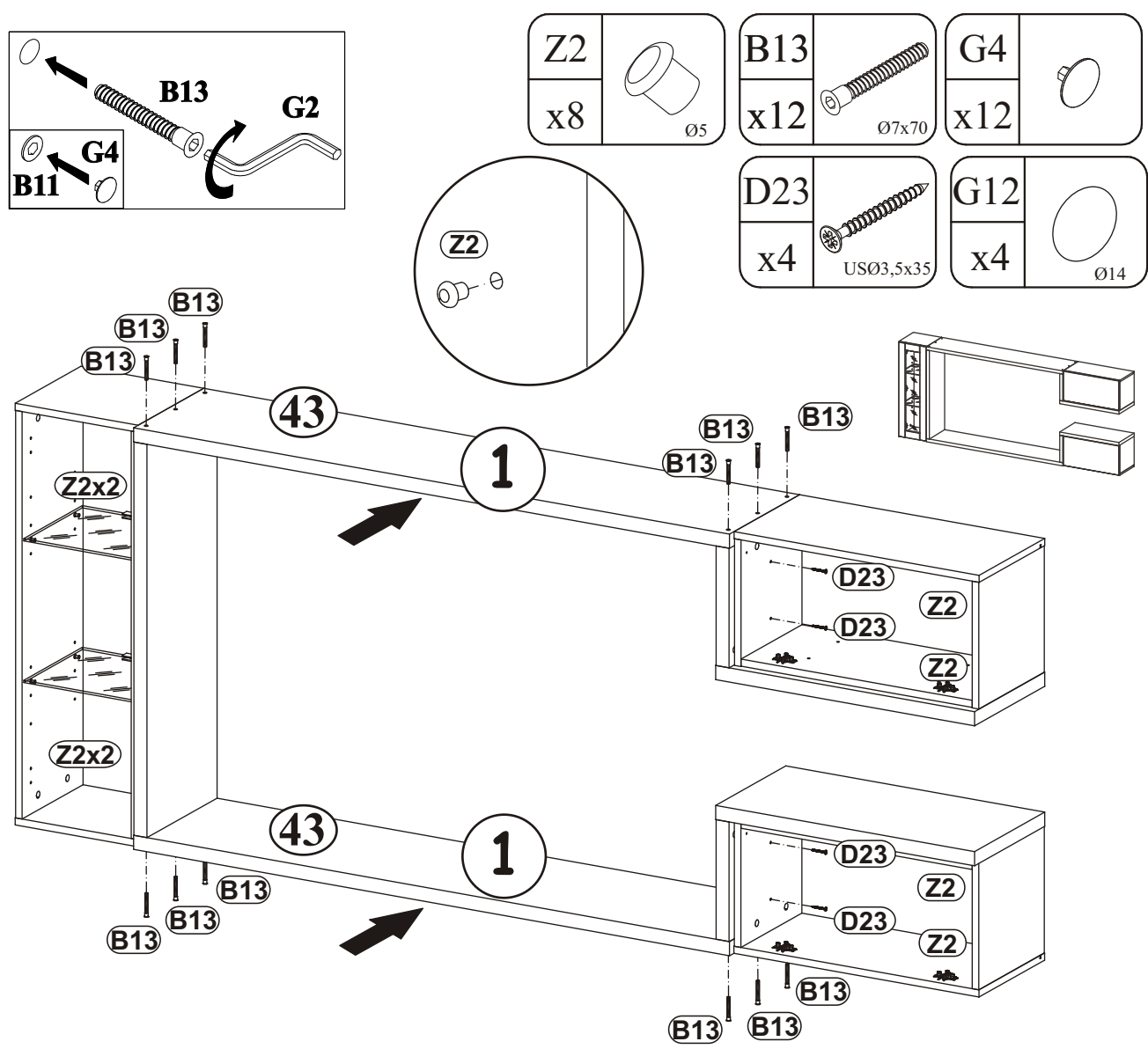
30





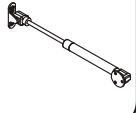
31

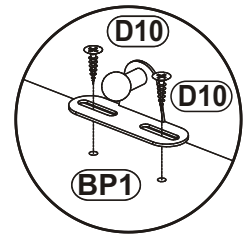
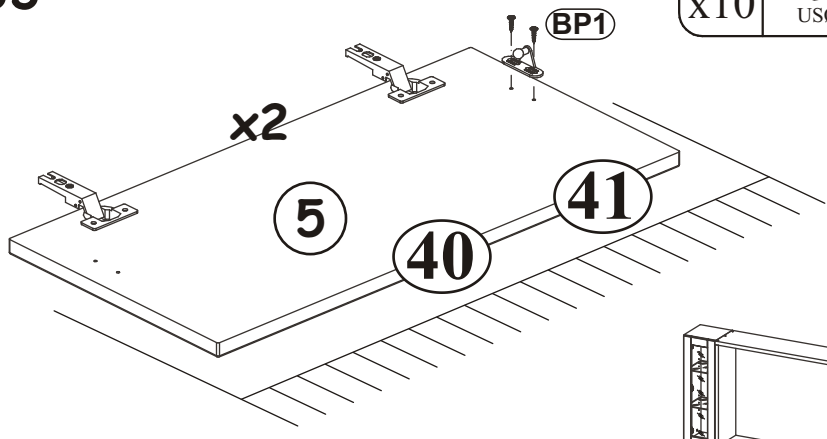


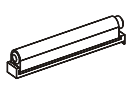
32

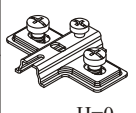


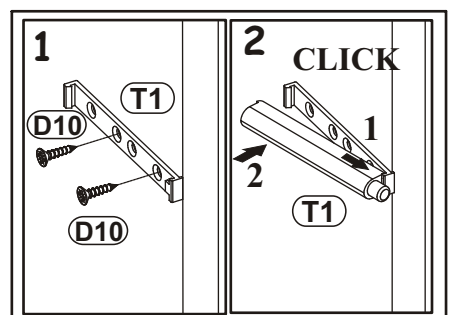
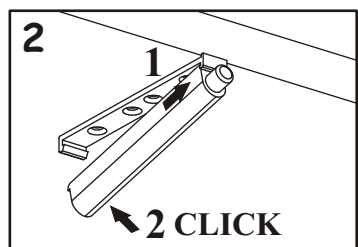
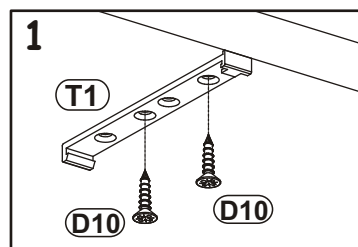
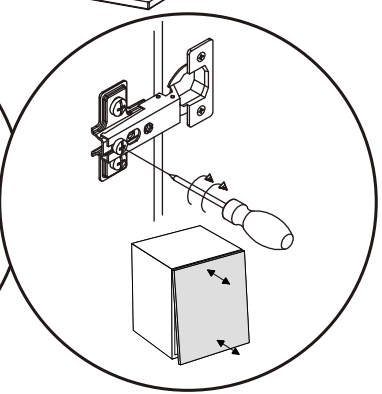
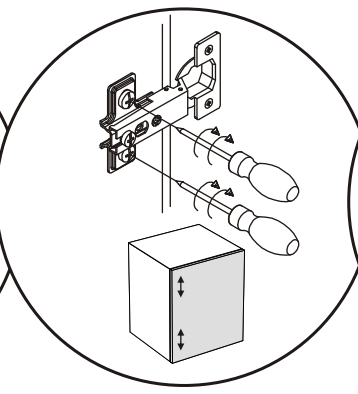
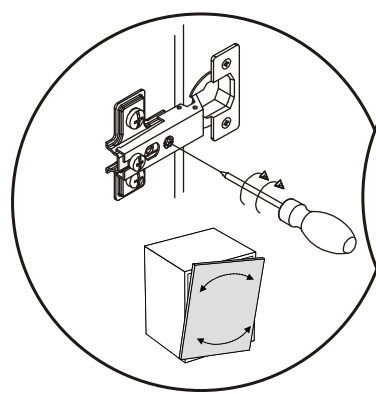
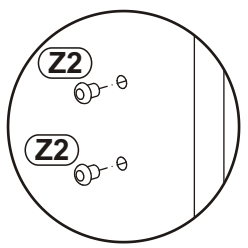
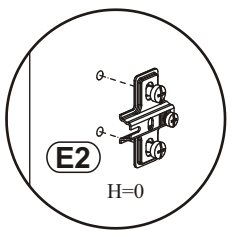
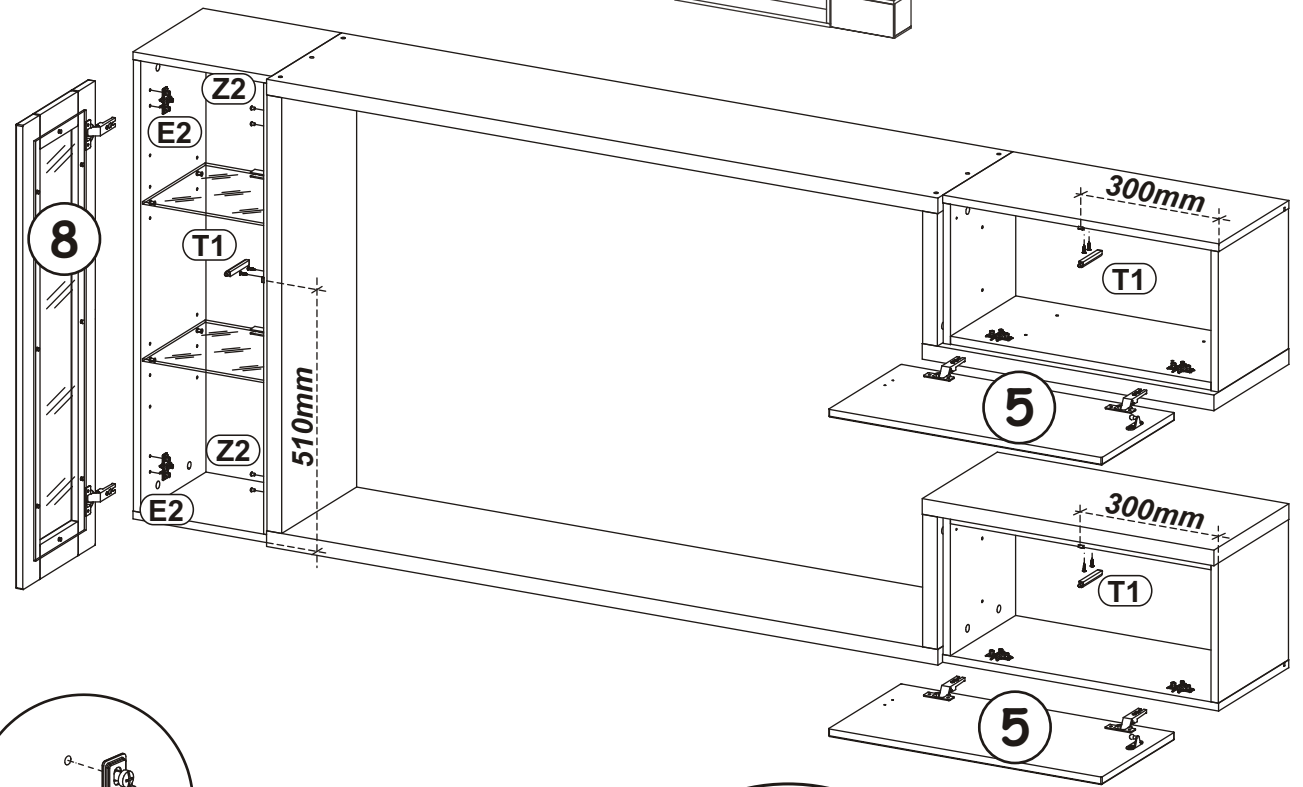
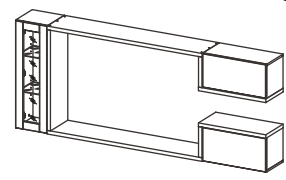
33

D10		Z2		BP1	
x10	USØ3,5x13	x6	Ø5	x2	



T1	
x3	

E2	
x2	H=0



34

