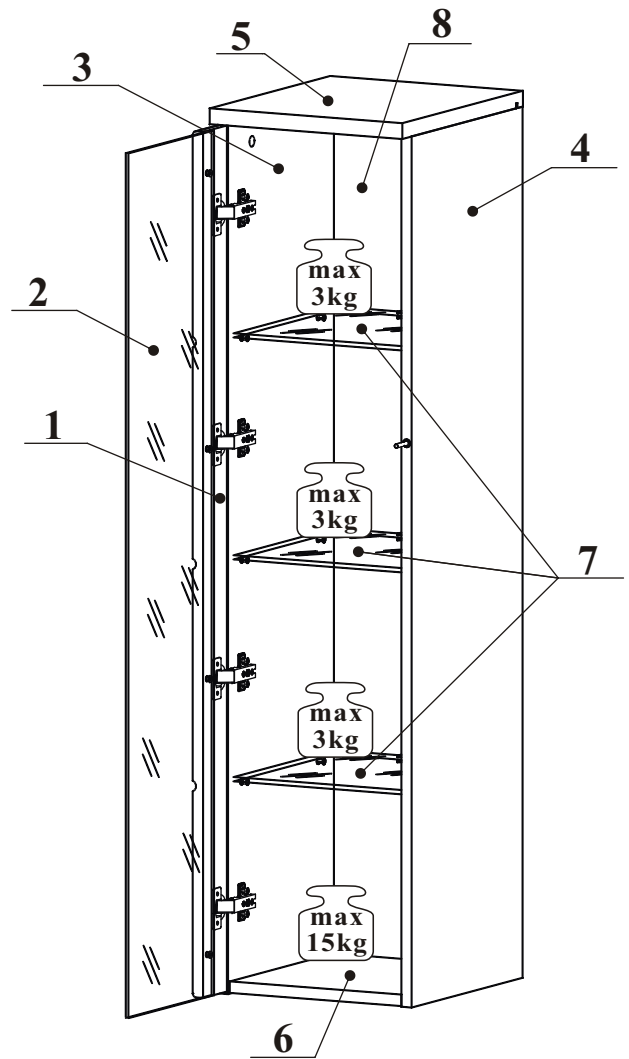
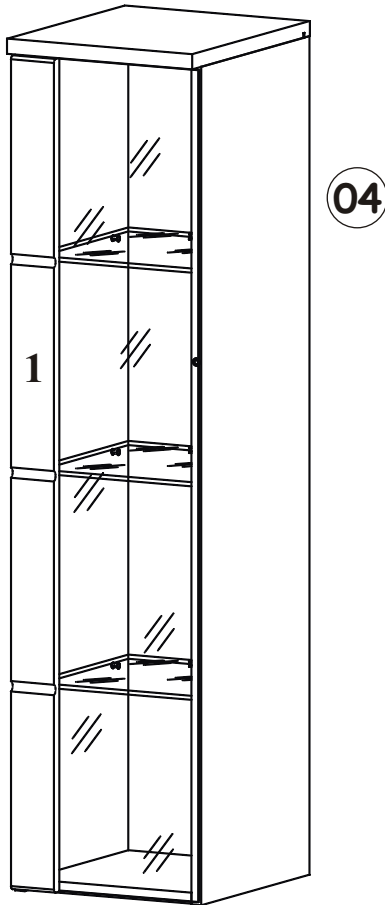
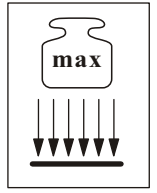
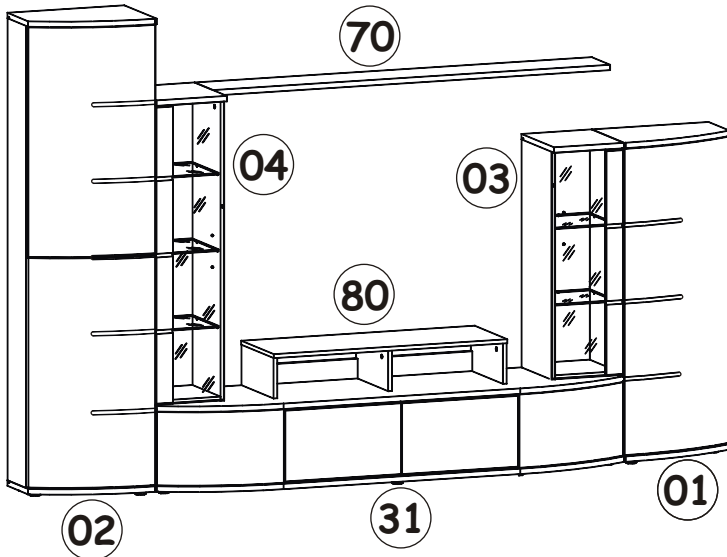
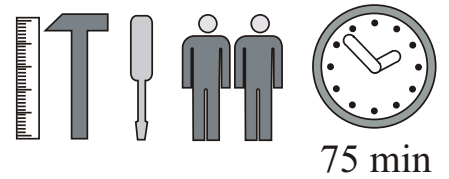


# LEAVE TYP 04

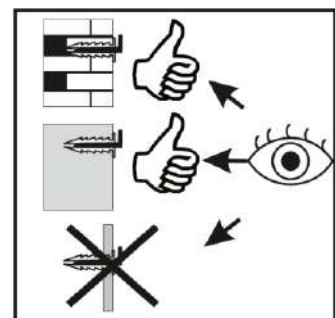
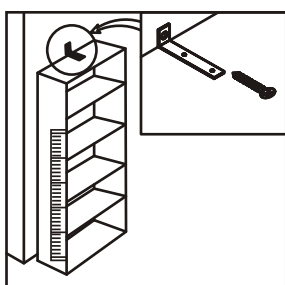
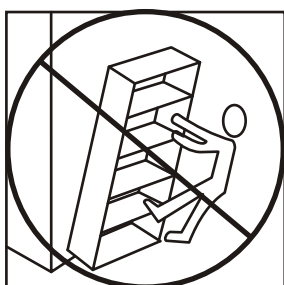
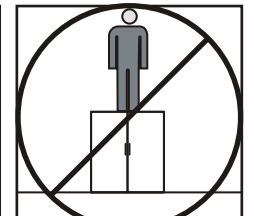
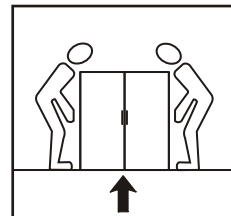
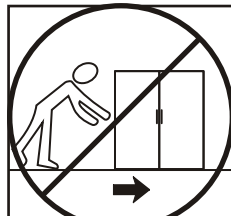
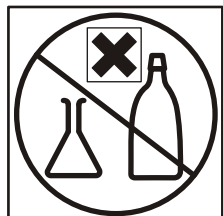
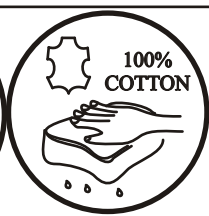
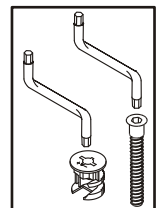
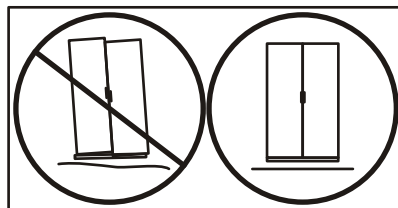
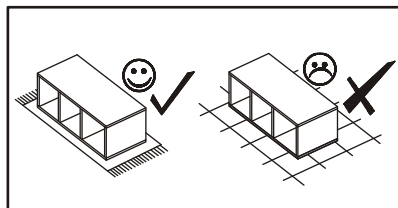
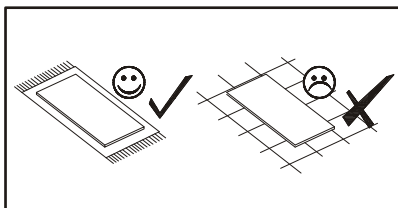
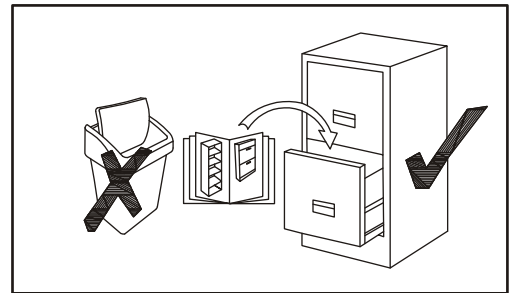
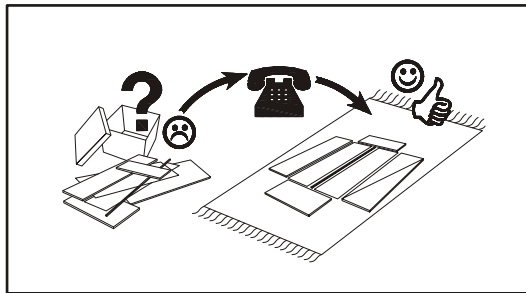
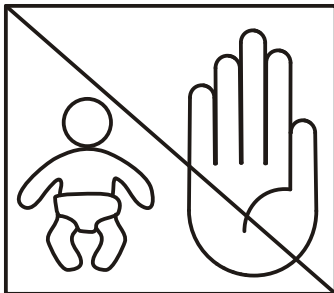
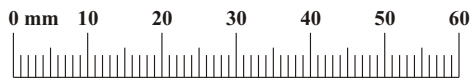


NO	Dim.		Col.-No	Qty
1	70	1206	1	1
2	1204	251	1	1
3	1213	330	1	1
4	1213	325	1	1
5	301	353	1	1
6	268	305	1	1
7	266	294	1	3
8	1215	280	1	1



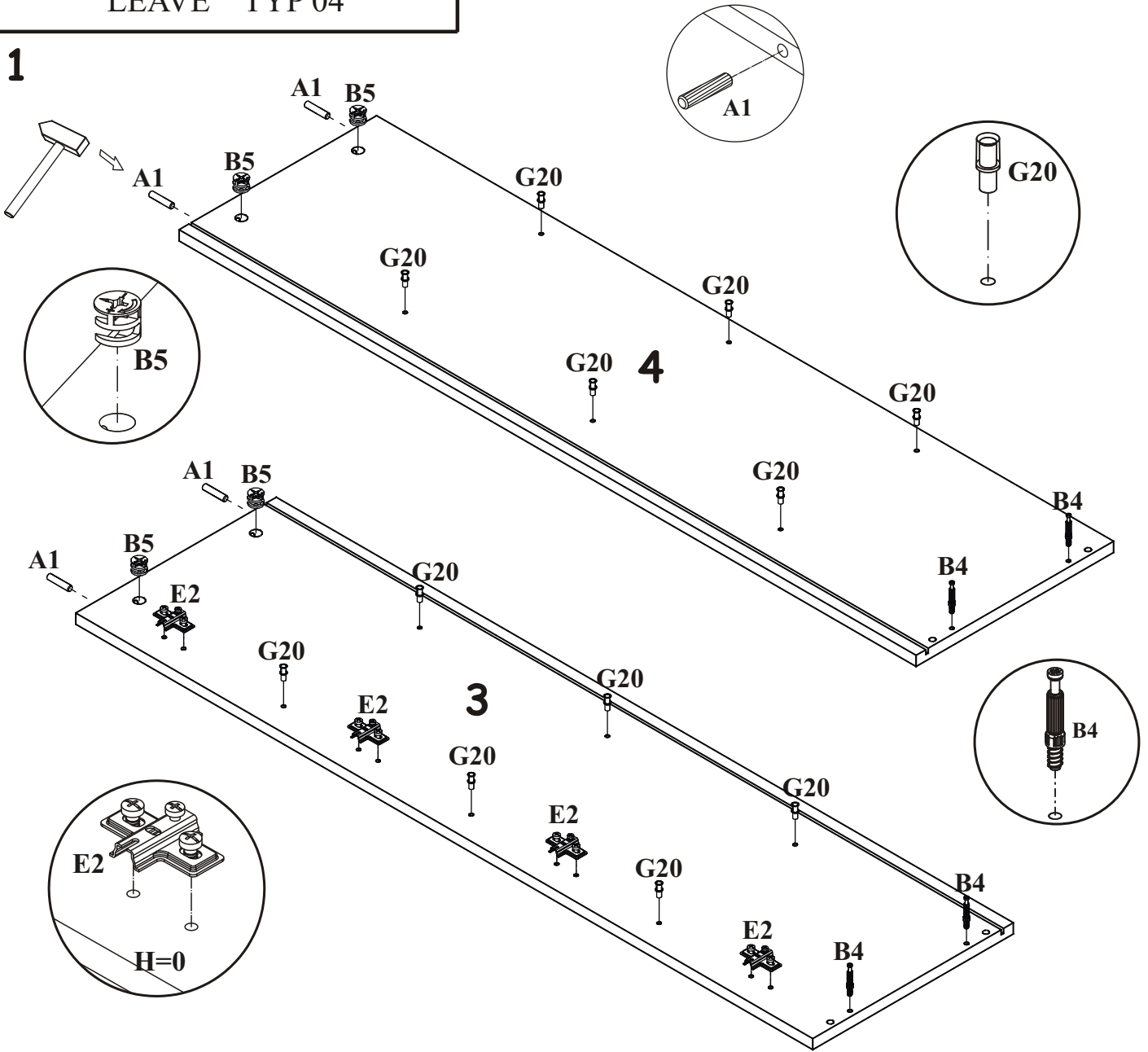
# LEAVE TYP 04

A1 X8 ø8x36	B4 X8	B5 X8 ø15x12	G5 X8	G20 X12	OD X1 L=71,5
E21 X4 Ø35 H=0	E2 X4 H=0	D10 X10 USØ3,5x13	P2 X4	UP13 X7 UPØ3x16	S1 X9
P3 X2	L1 X1	KR1 X1	G2 X1		
LED X1 X2 - TYP 03 X3 - TYP 04	→ TYP 03				

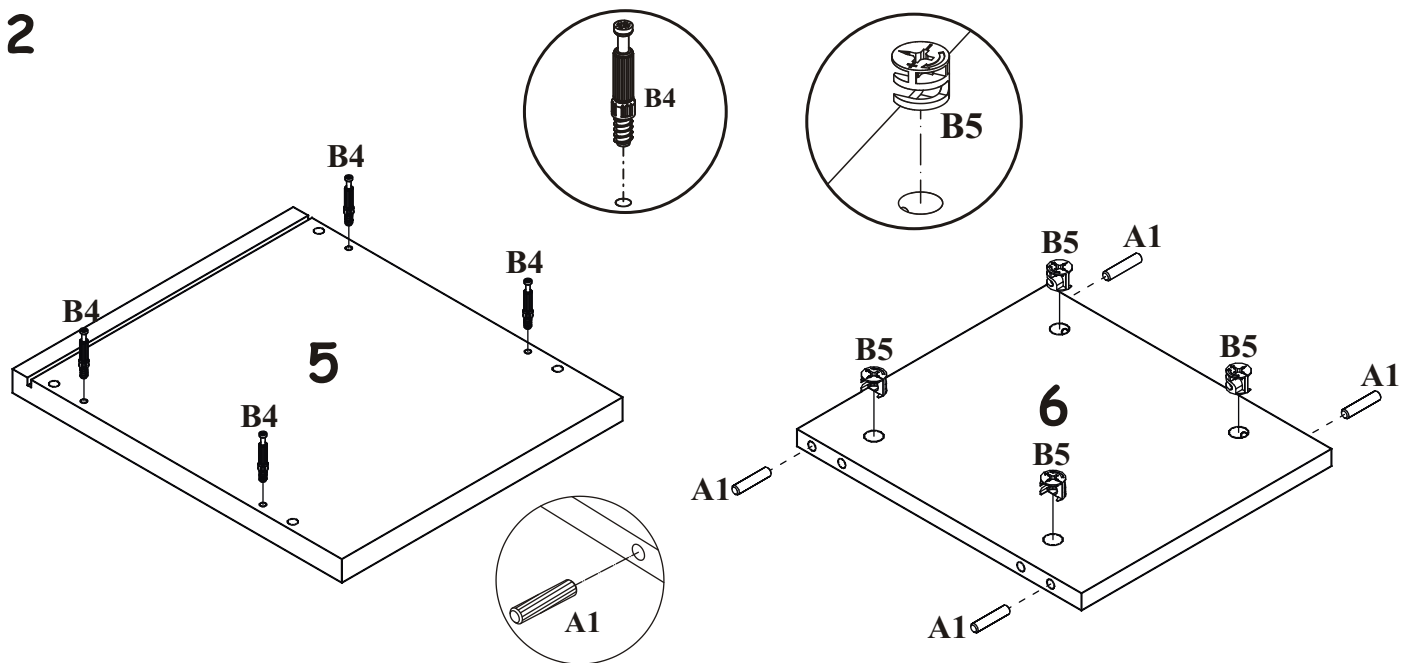


LEAVE TYP 04

1

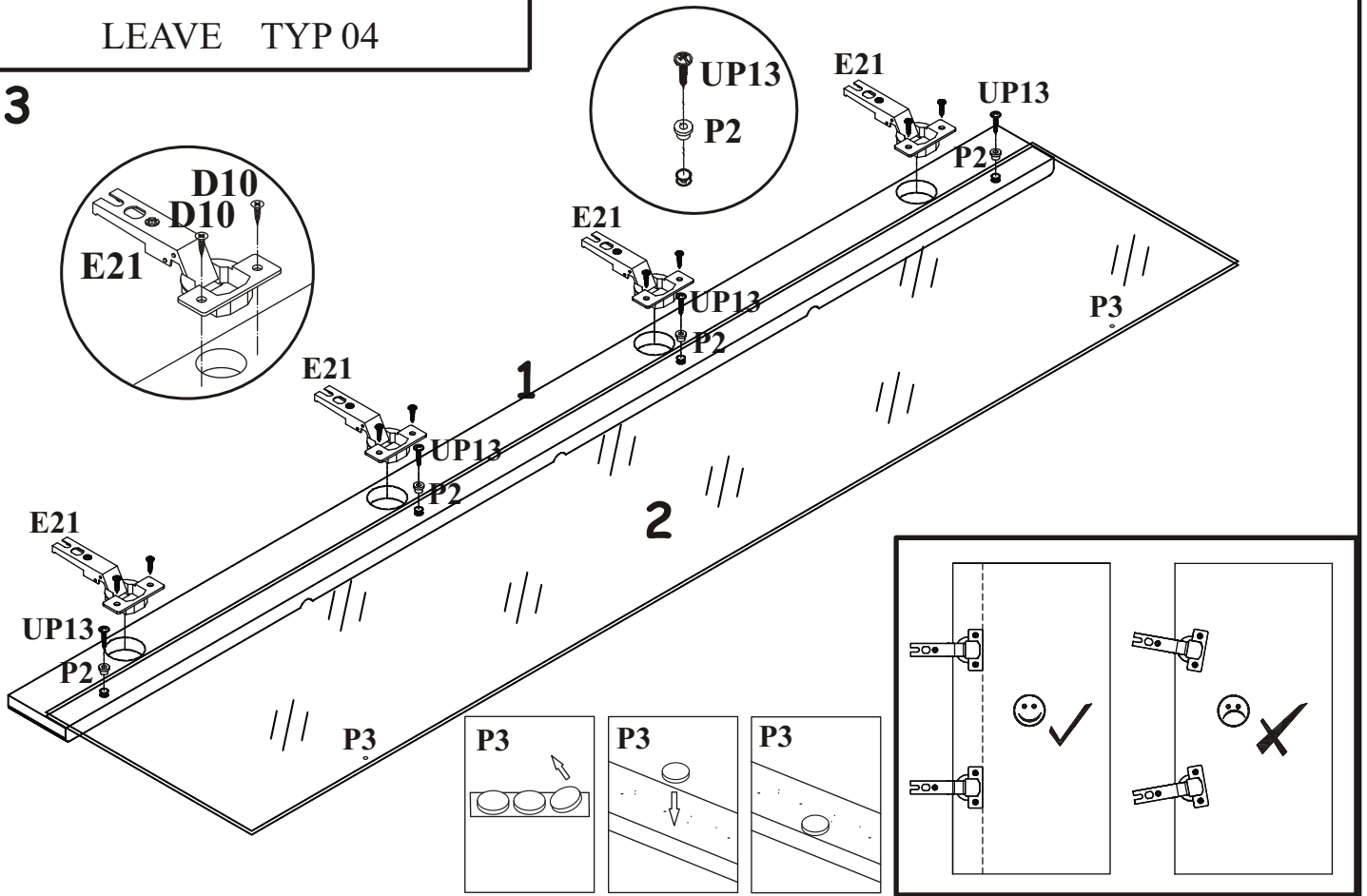


2

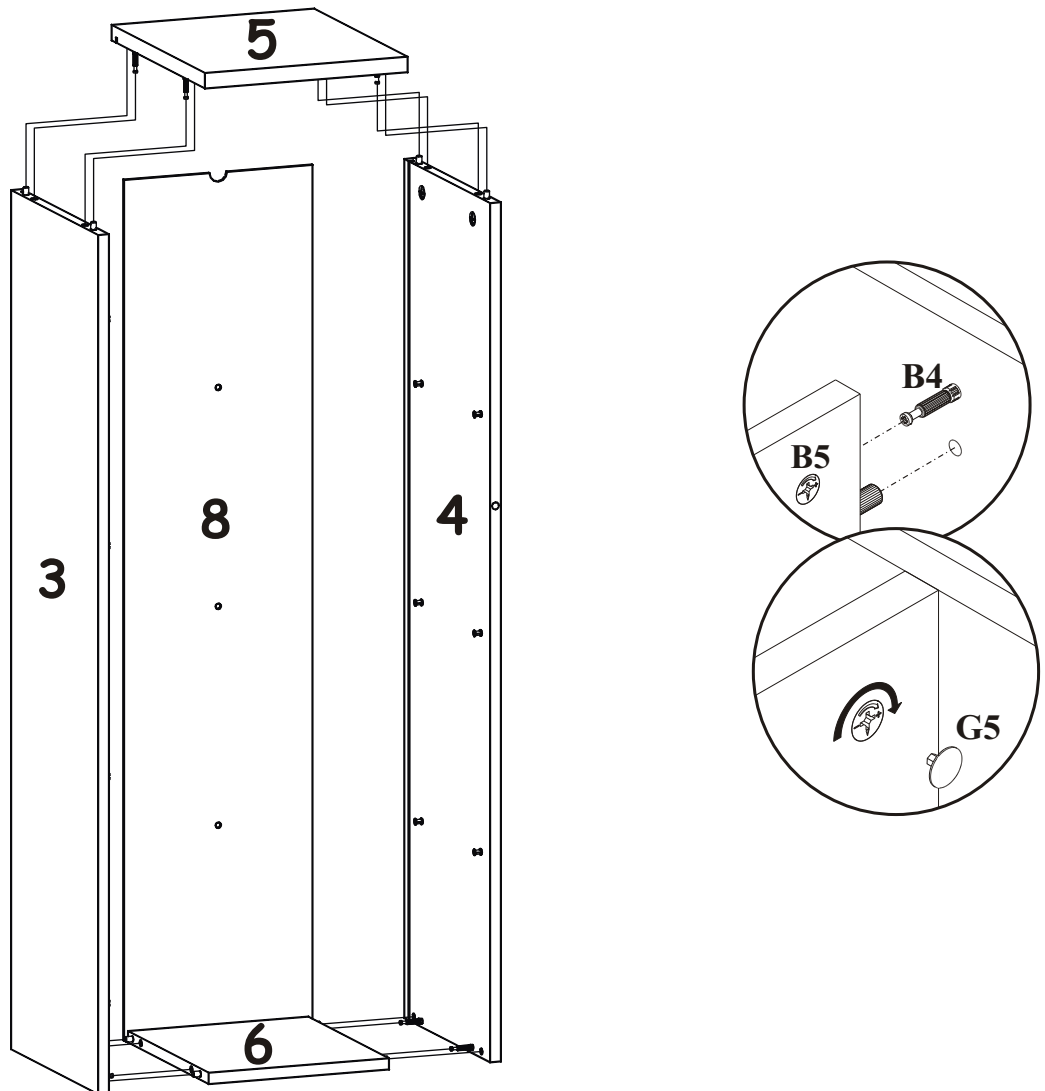


LEAVE TYP 04

3



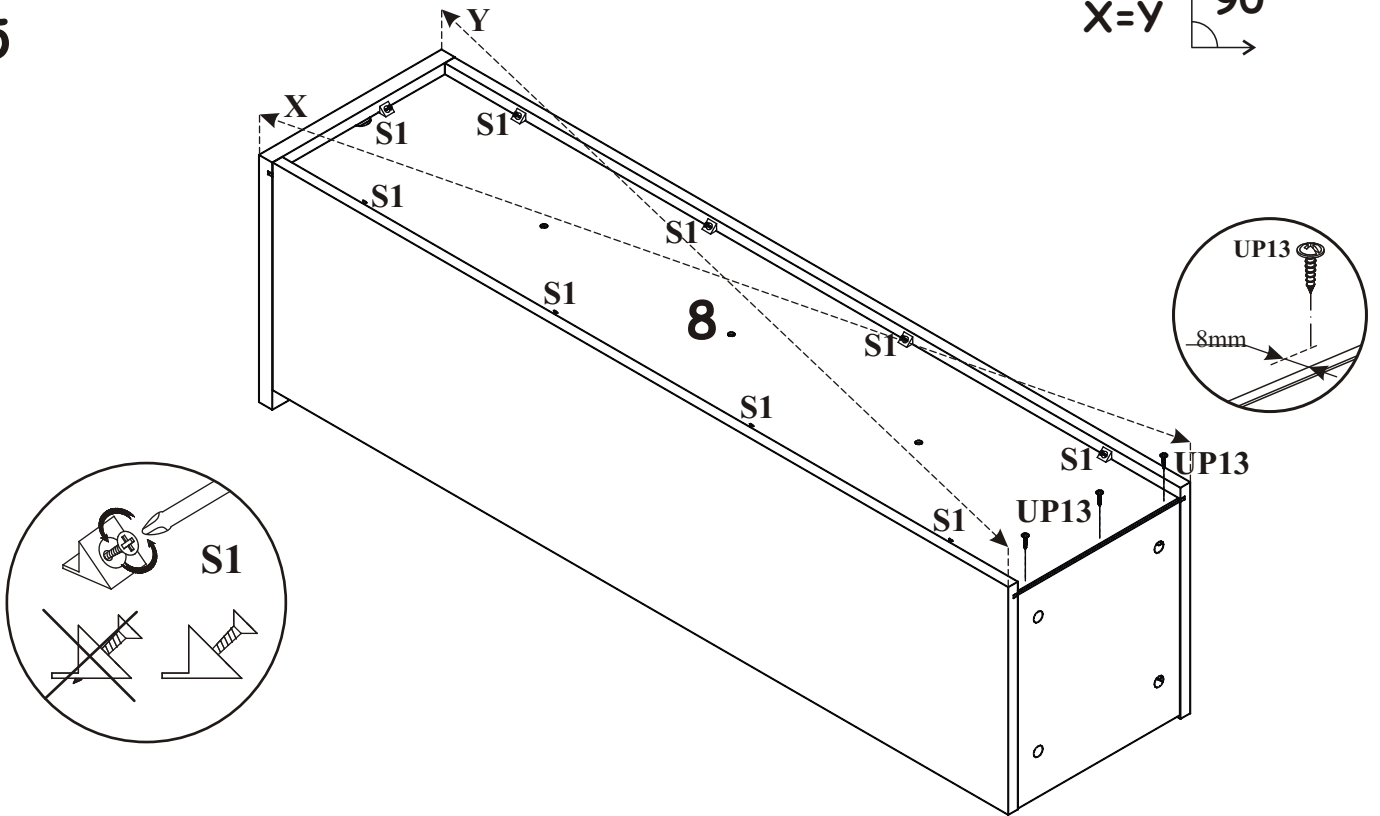
4



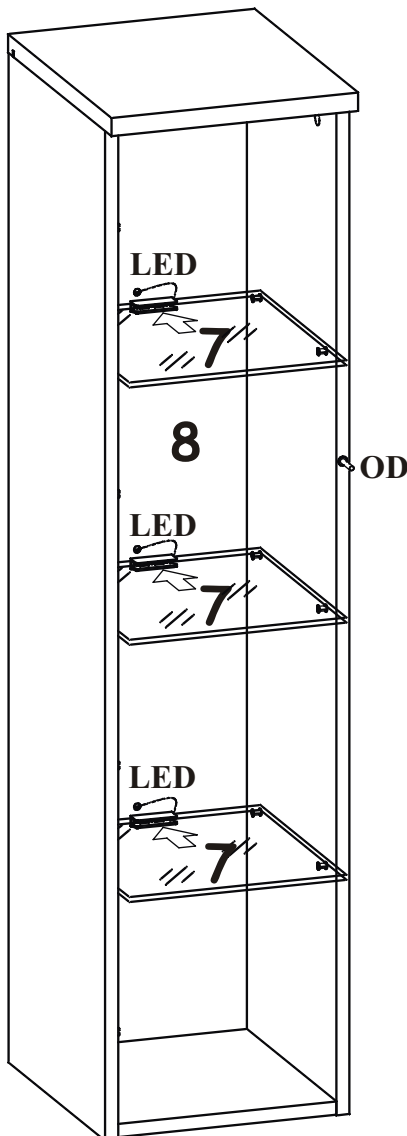
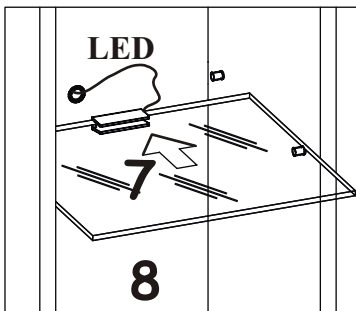
LEAVE TYP 04

5

X=Y 90°



6



7

