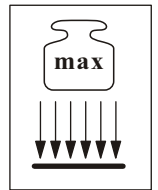
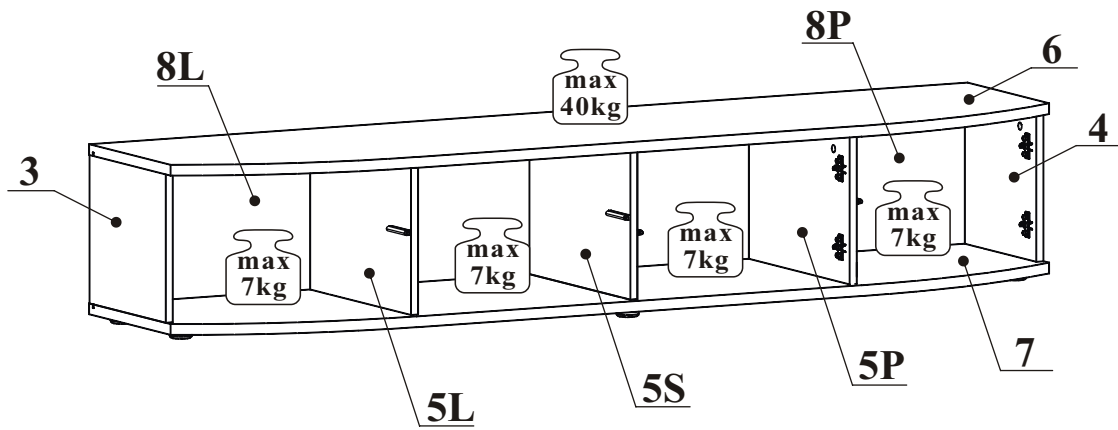
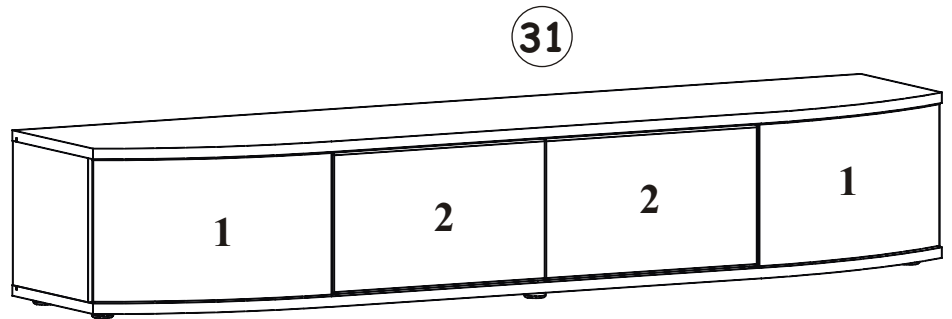
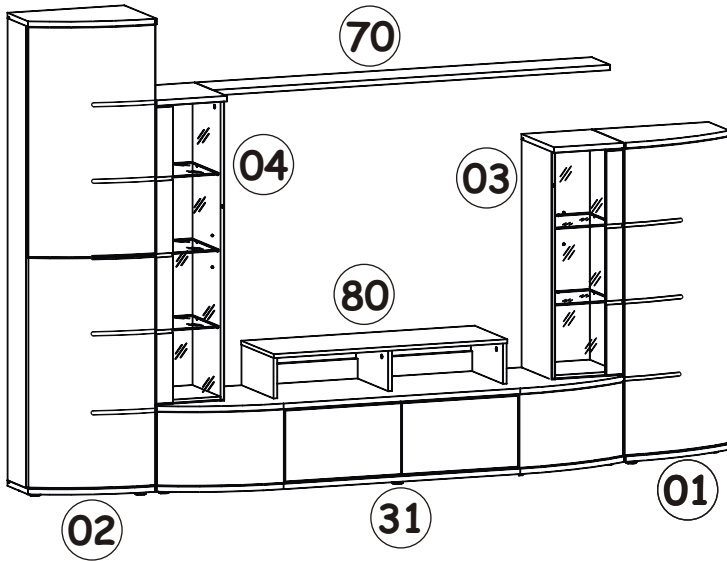
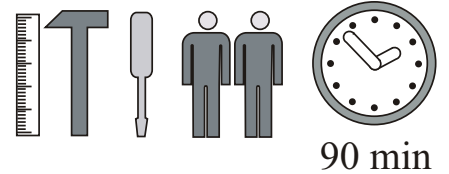


LEAVE TYP 31



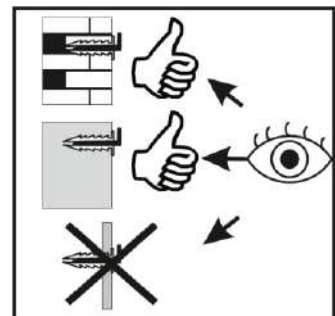
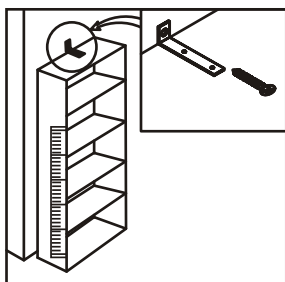
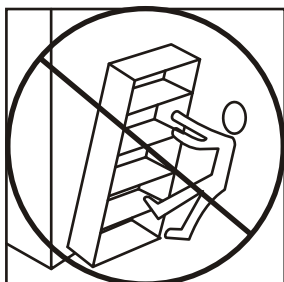
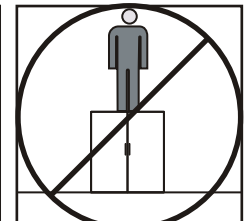
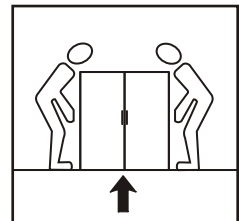
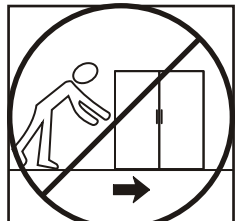
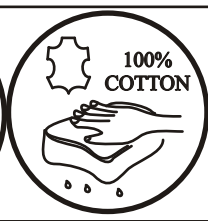
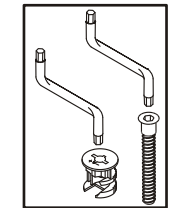
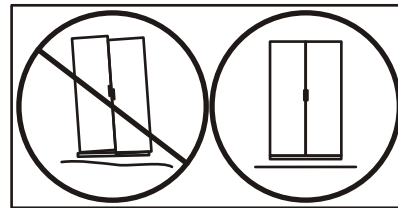
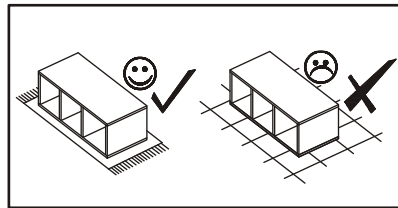
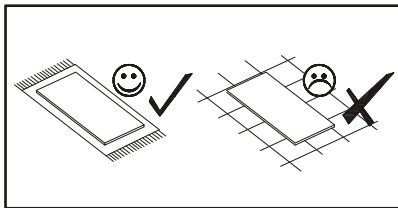
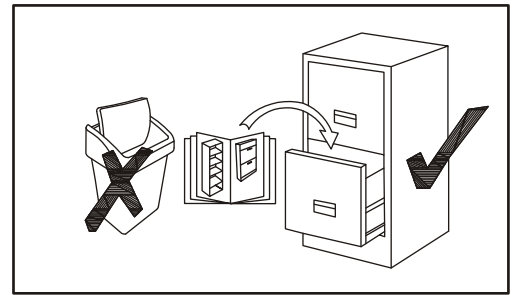
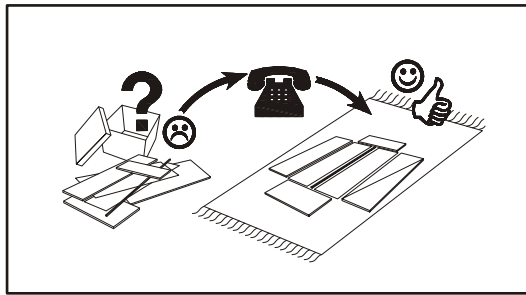
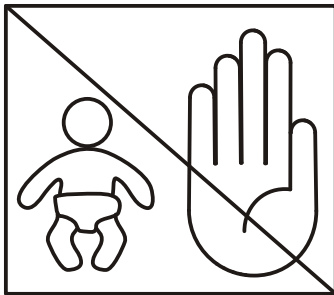
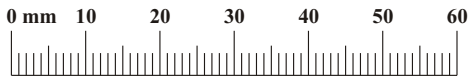
NO	Dim.		Col.-No	Qty
1	504	296	2	2
2	496	296	2	2
3	302	330	2	1
4	302	330	2	1
5L	302	437	2	1
5P	302	437	2	1
5S	302	437	2	1
6	2001	480	1	1
7	2001	480	1	1
8L	314	989	1	1
8P	314	989	1	1



90 min

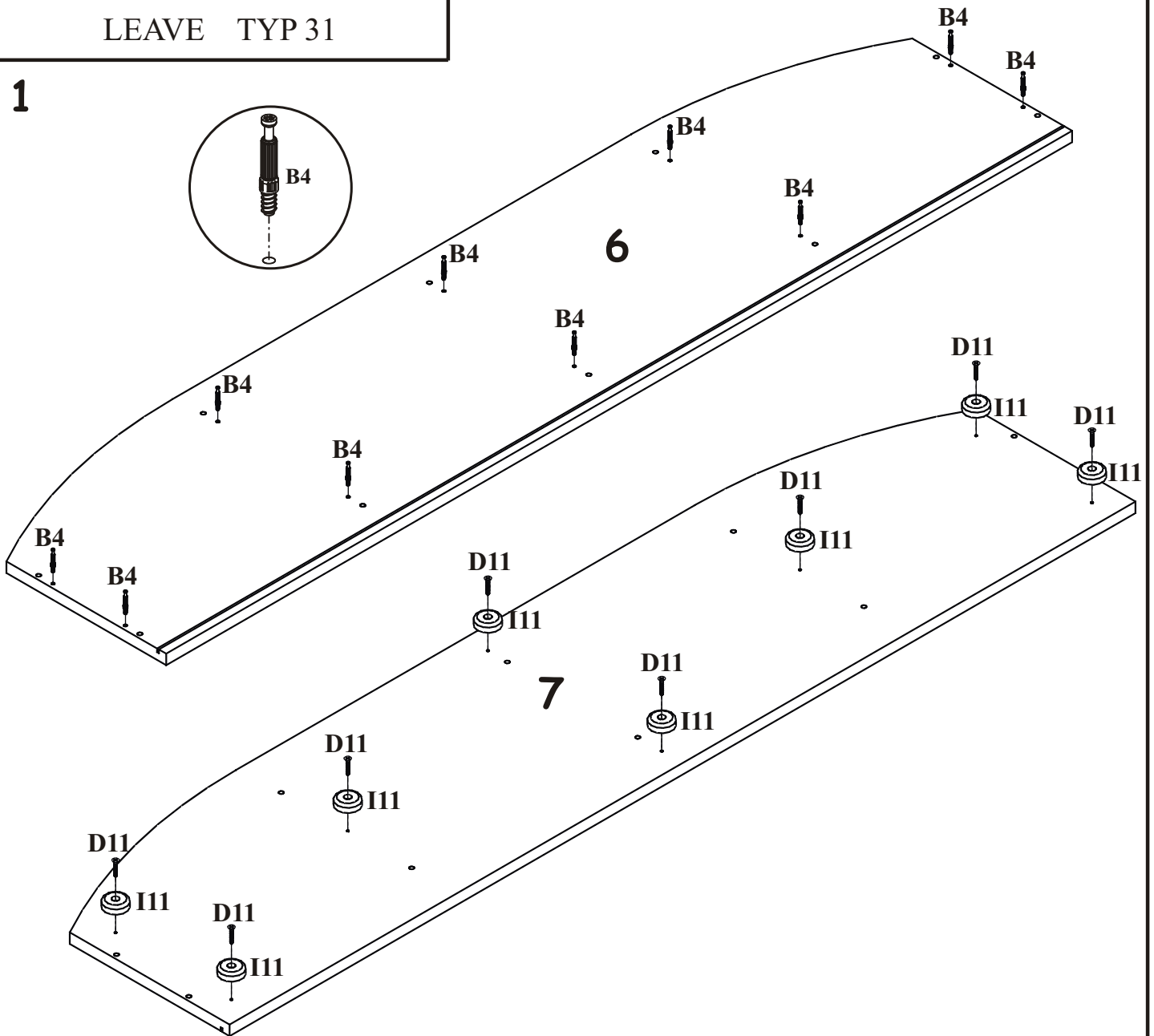
LEAVE TYP 31

A1 X20 ø8x36	B4 X10	B5 X10 ø15x12	G5 X10	B11 X10 Ø7x50	G4 X10
E21 X4 Ø35 H=0	E23 X4 Ø35 H=8	E2 X8 H=0	D10 X28 USØ3,5x13	T2 X4 D10	S1 X14
I11 X8	D11 X8 USØ3,5x25	G16 X3	UP13 X3 UPØ3x16	L1 X2	KR1 X2
G2 X1					

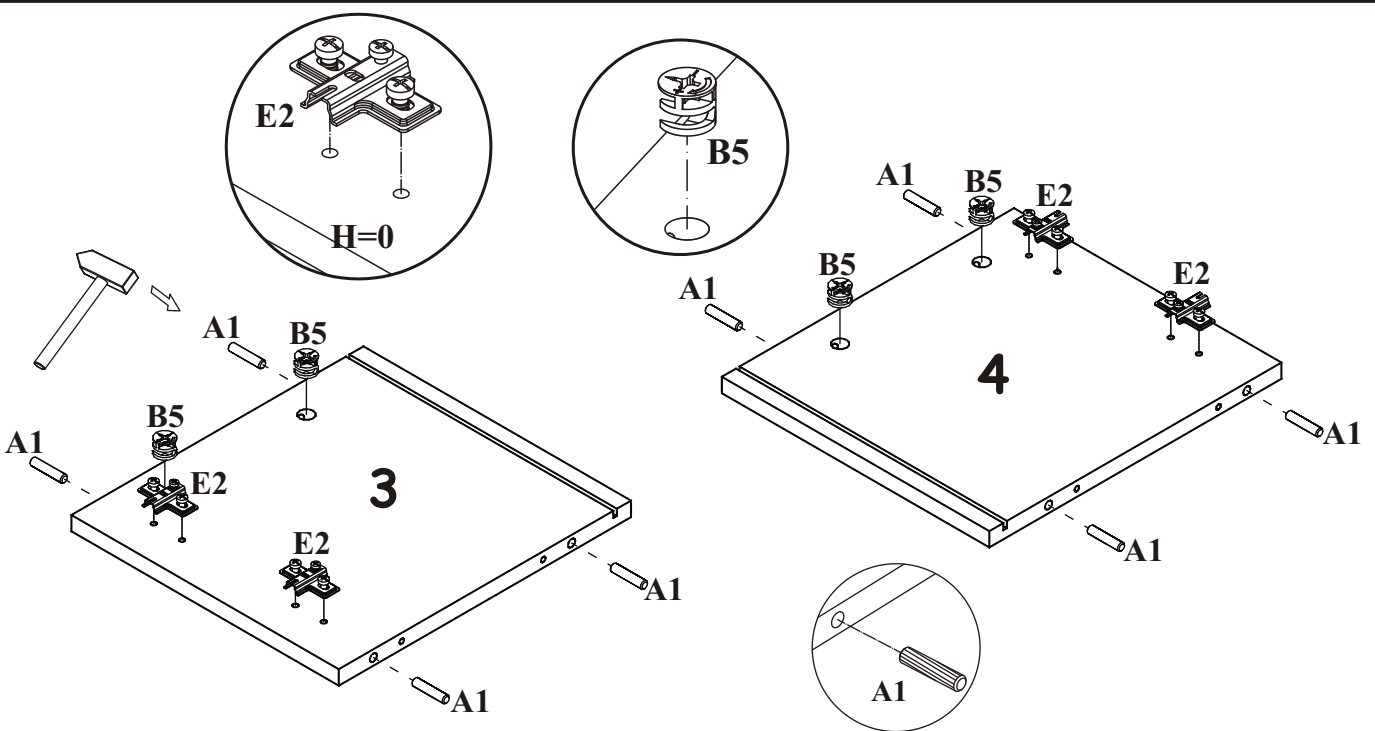


LEAVE TYP 31

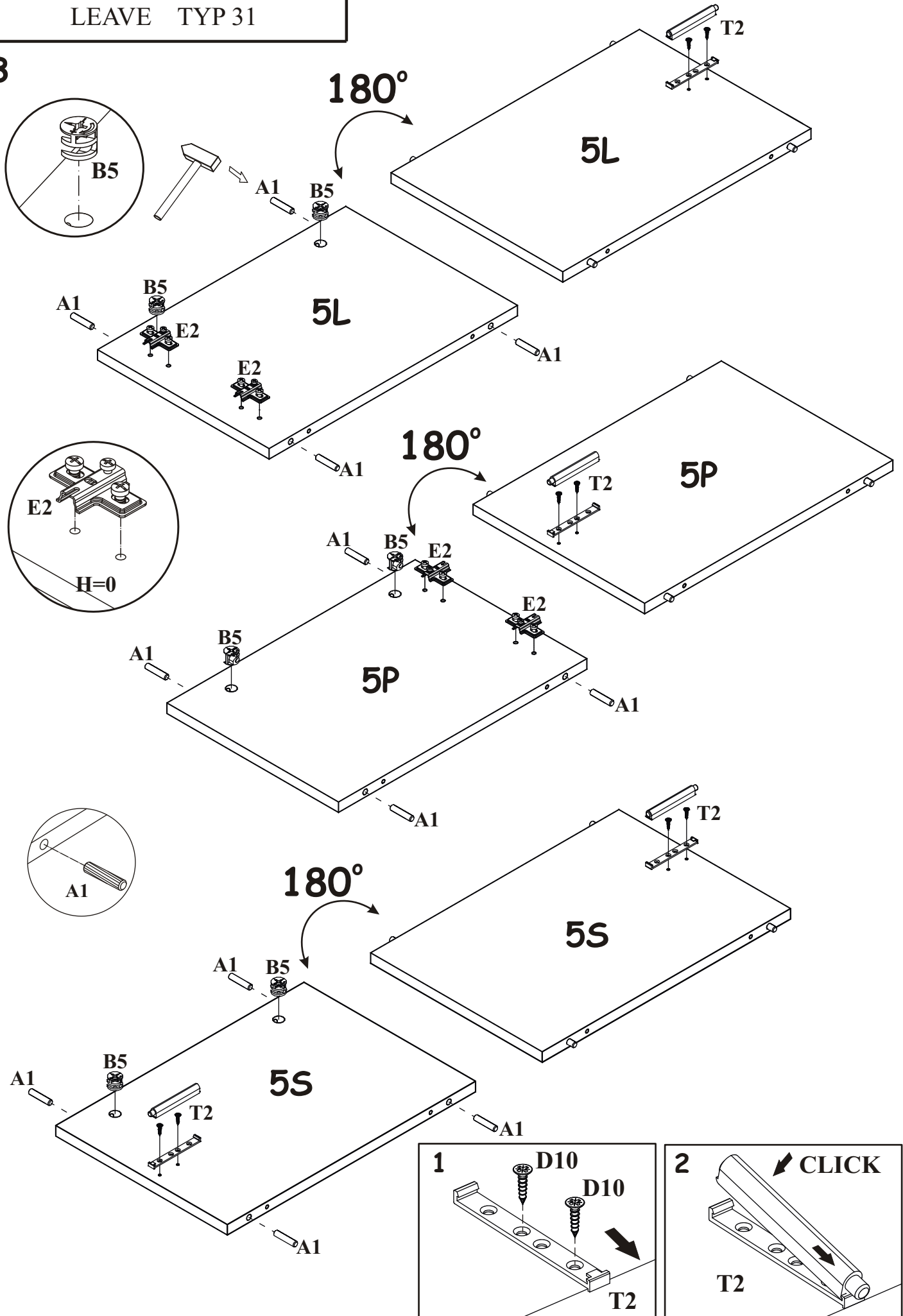
1



2

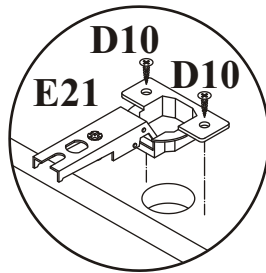
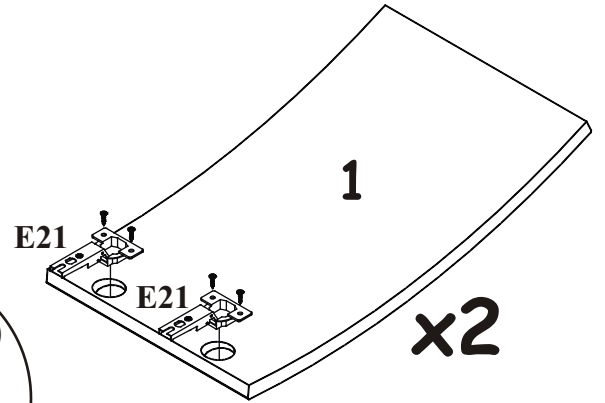
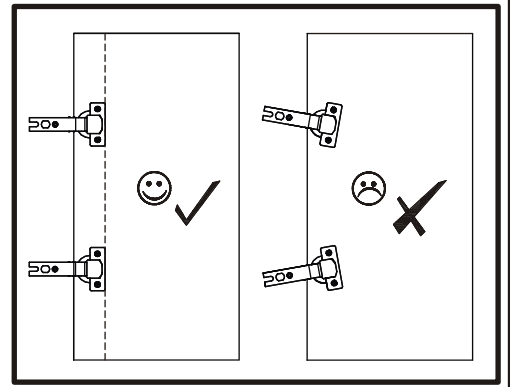
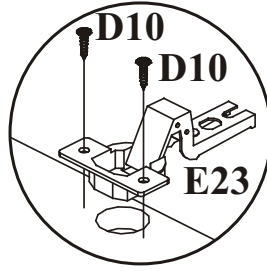
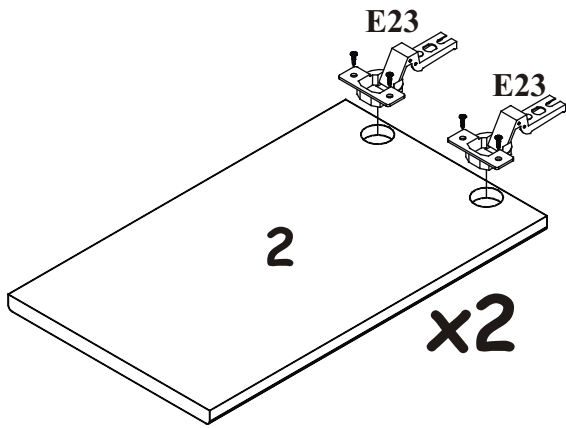


3

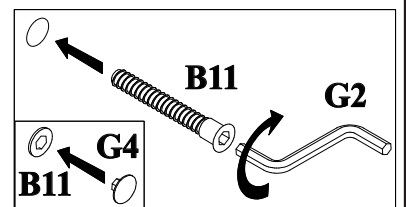
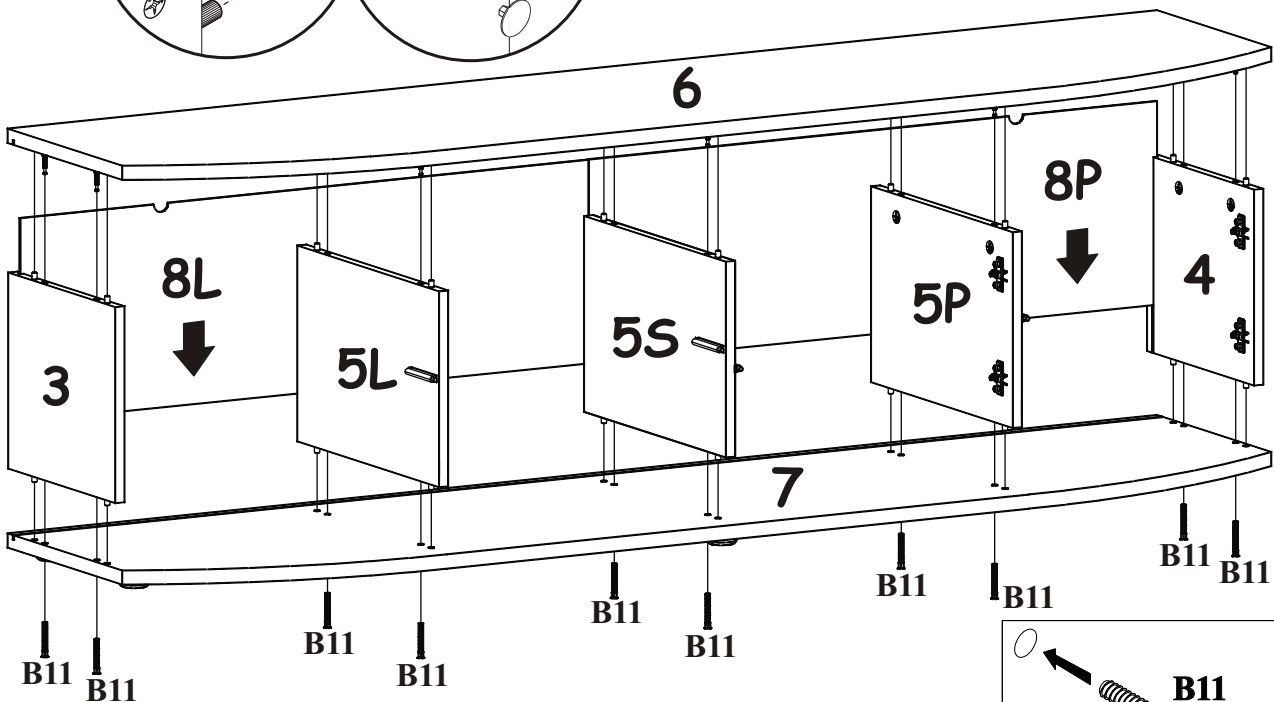
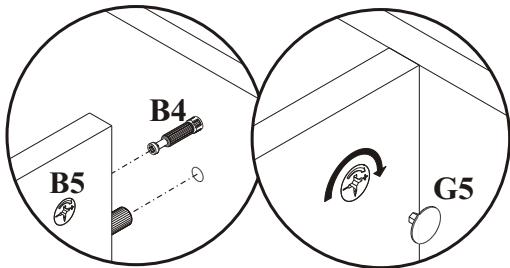


LEAVE TYP 31

4

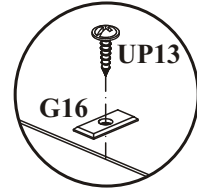
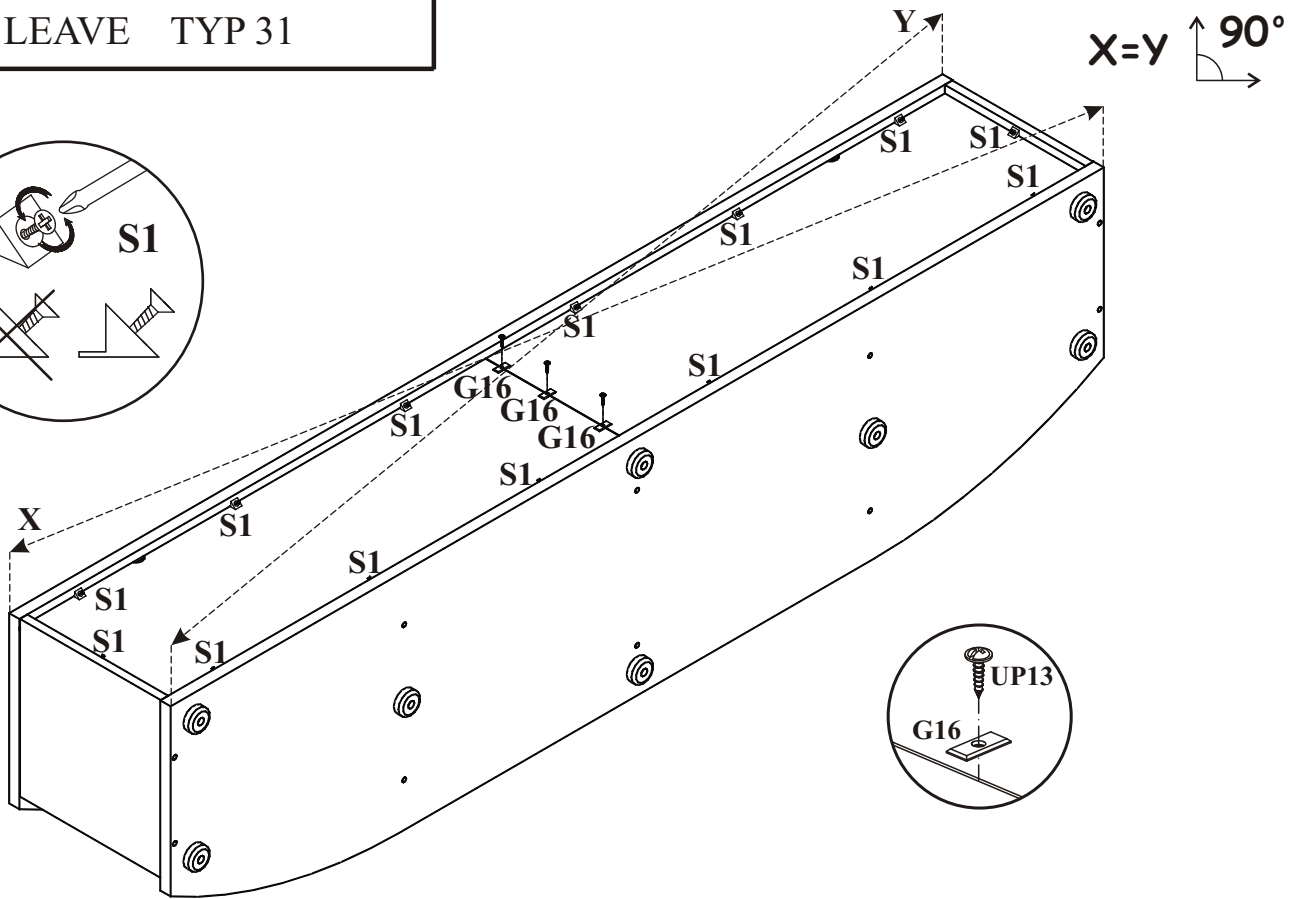
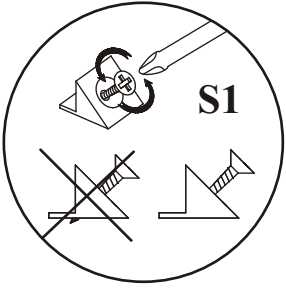


5

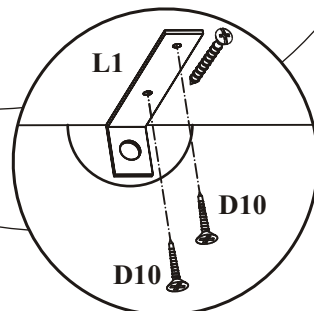
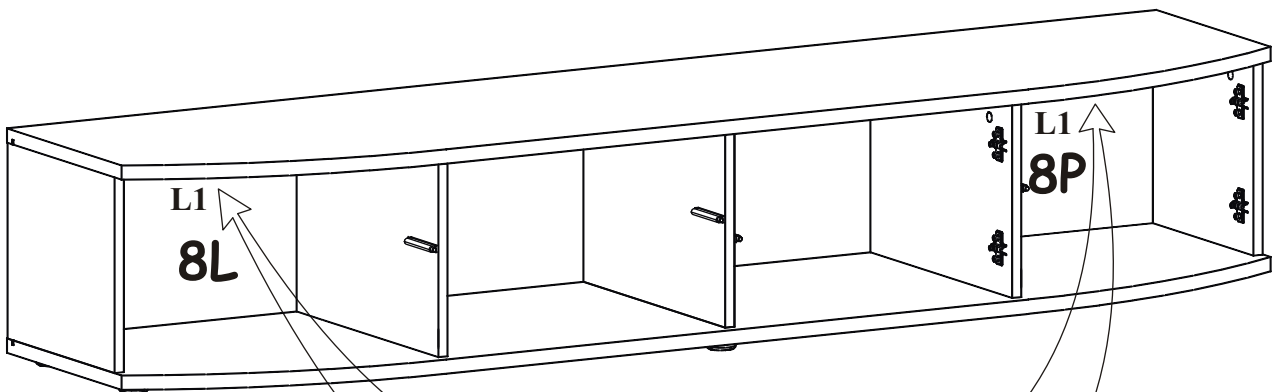
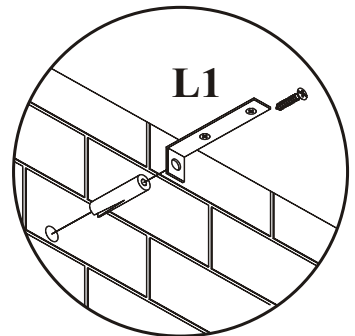
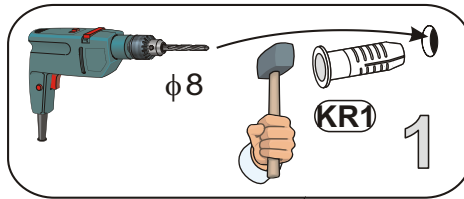
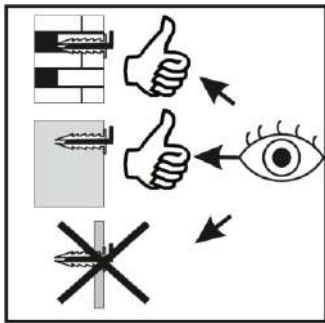


LEAVE TYP 31

6



7



8

