

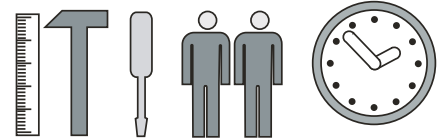
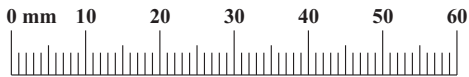
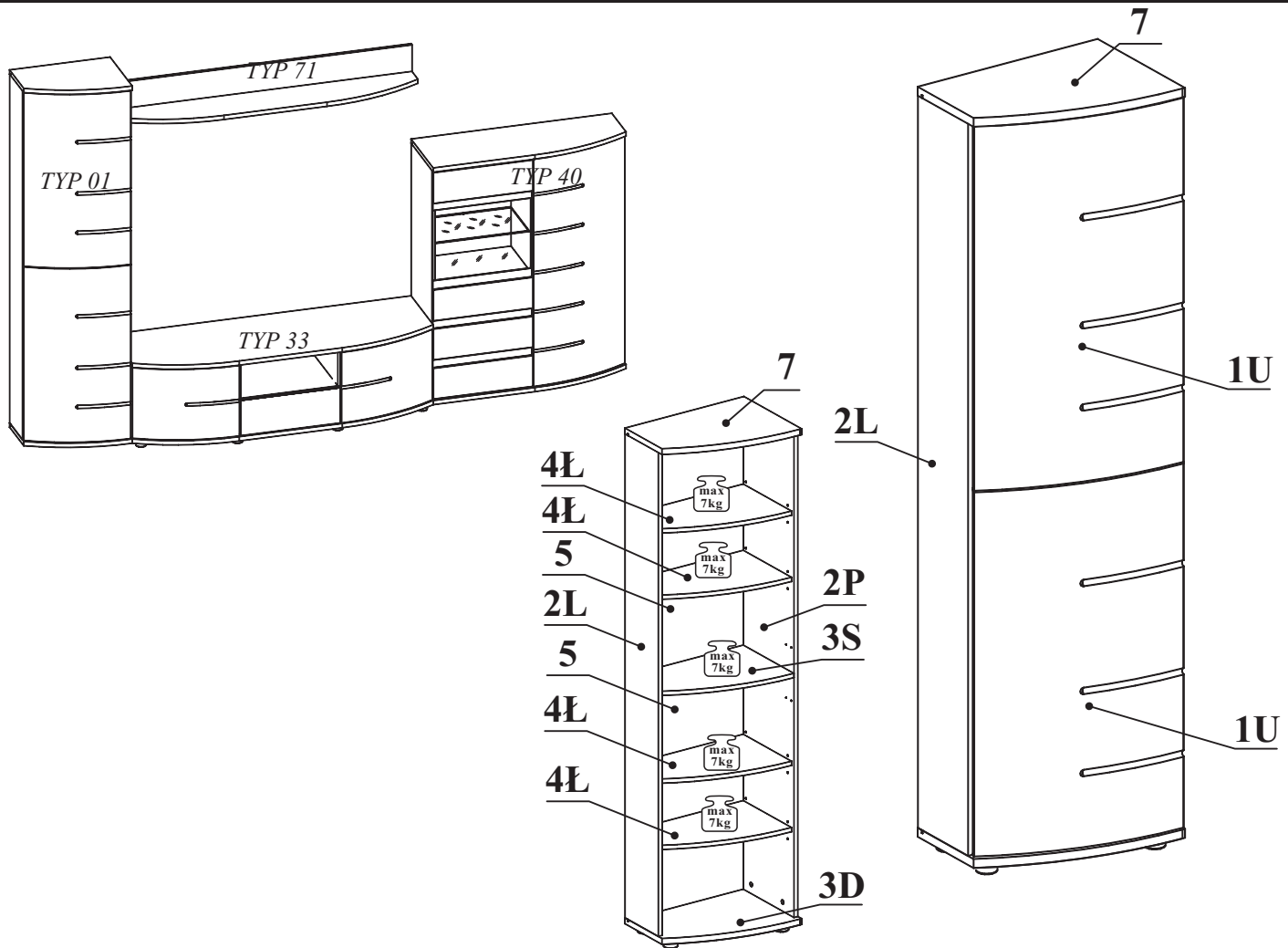
ABW ONTARIO I

TYPE-01

24...01

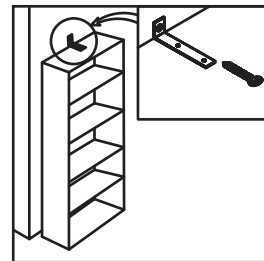
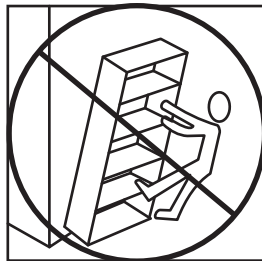
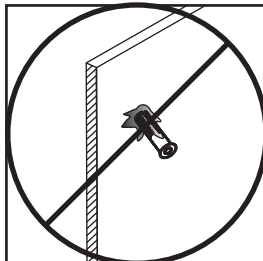
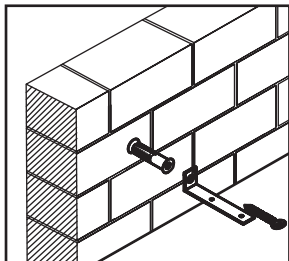
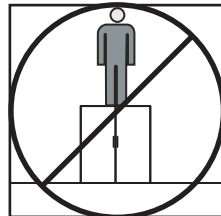
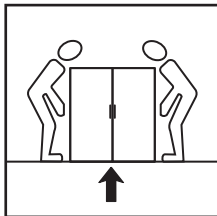
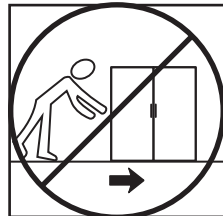
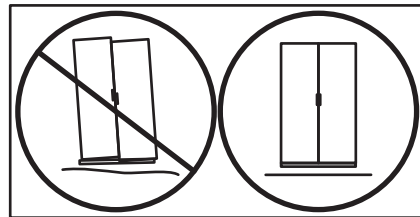
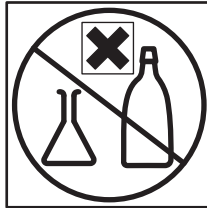
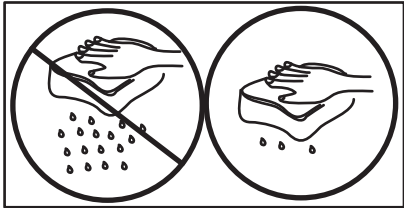
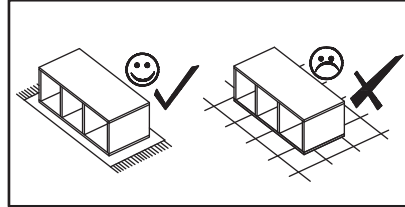
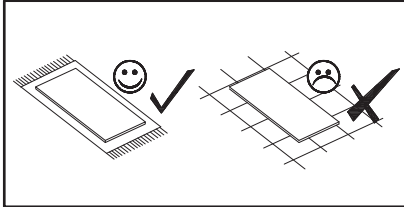
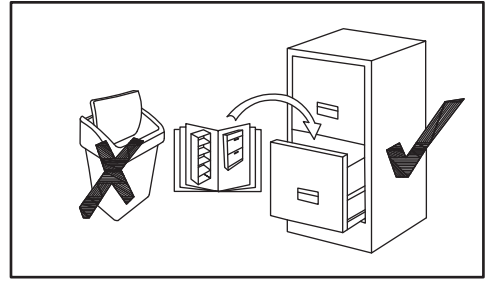
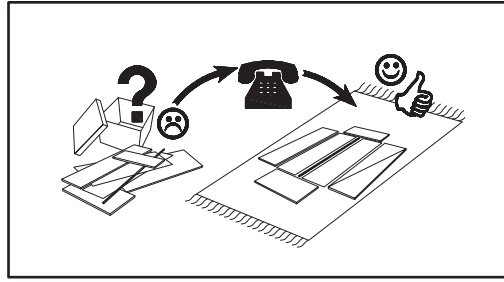
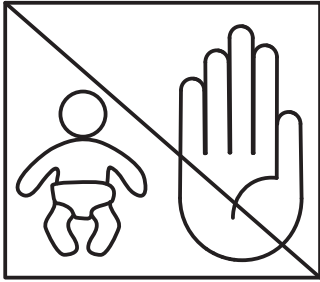
ABW ONTARIO II

24...02



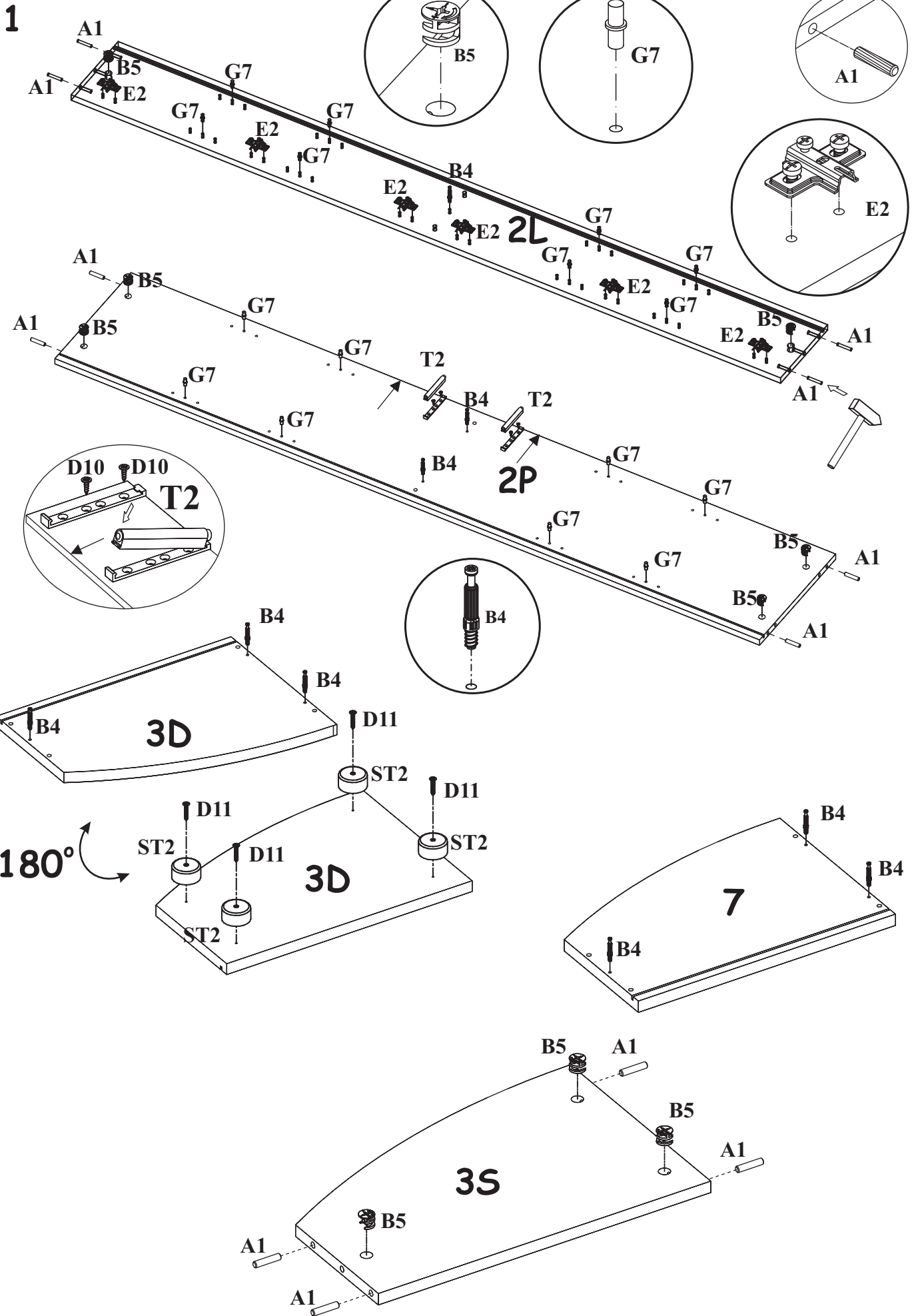
90 min

A1 X12 ø8x36	B4 X9	B5 X9 ø15x12	G5 X9	G2 X1	D11 X4 USØ3,5x25
E1 X6 H=0	E2 X6 H=0	ST2 X4	D9 X3 USØ3x20	G16 X3	G7 X16
S1 X14	D10 X18 USØ3,5x13	KR1 X1	L1 X1	T2 X2 20x14	



ABW ONTARIO I 24...01
ABW ONTARIO II 24...02

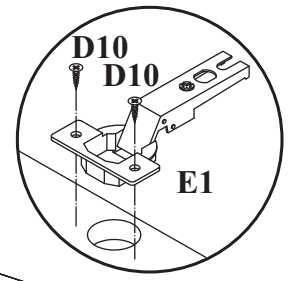
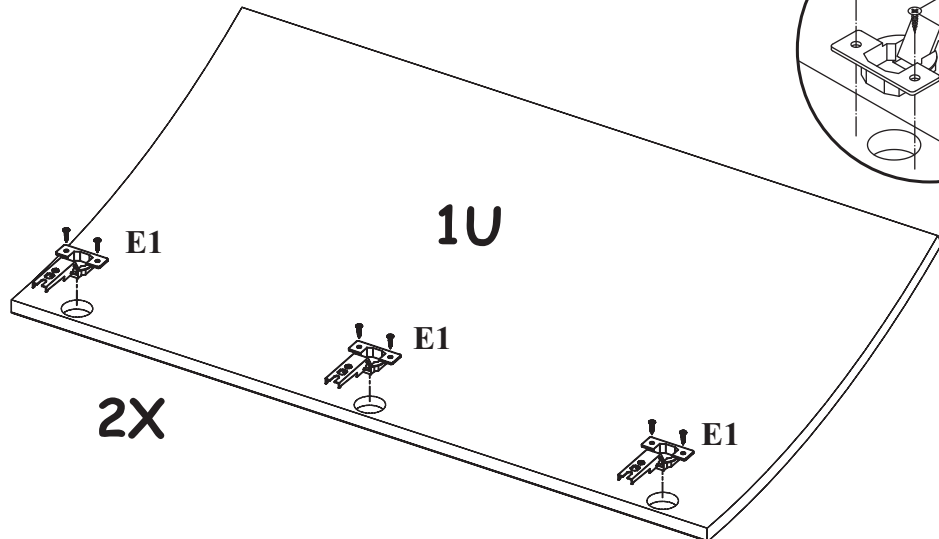
TYPE-01



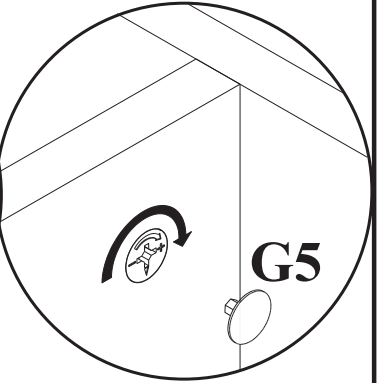
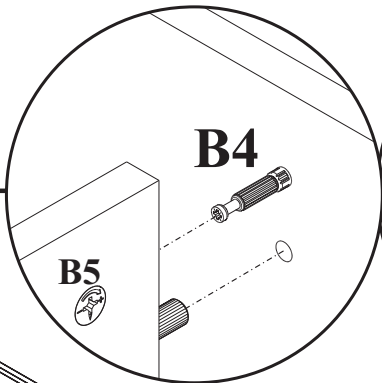
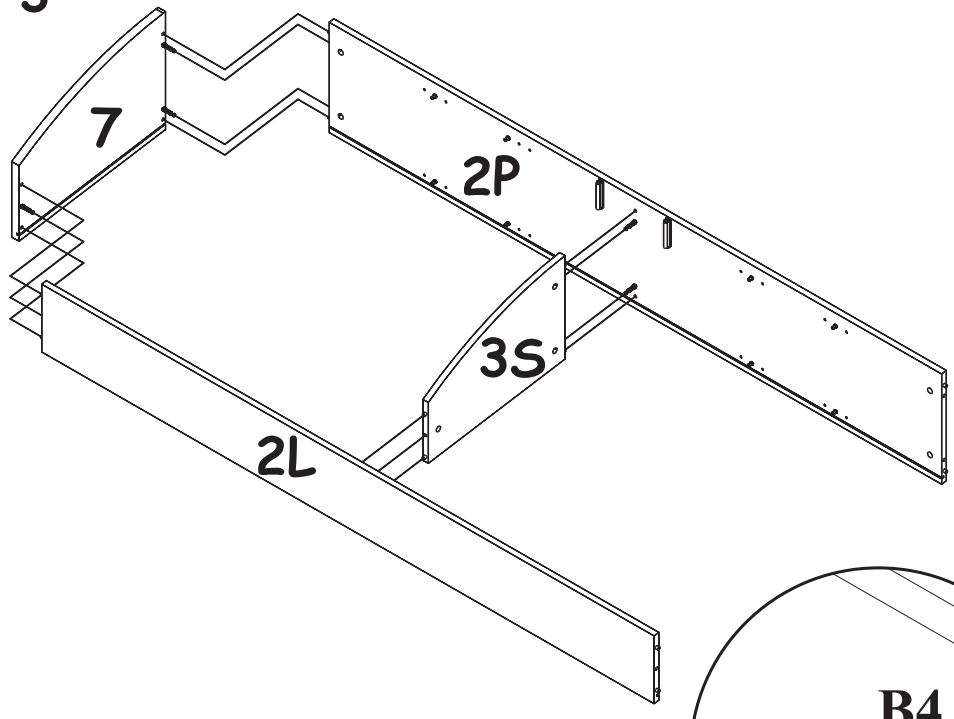
ABW ONTARIO I 24...01
ABW ONTARIO II 24...02

TYPE-01

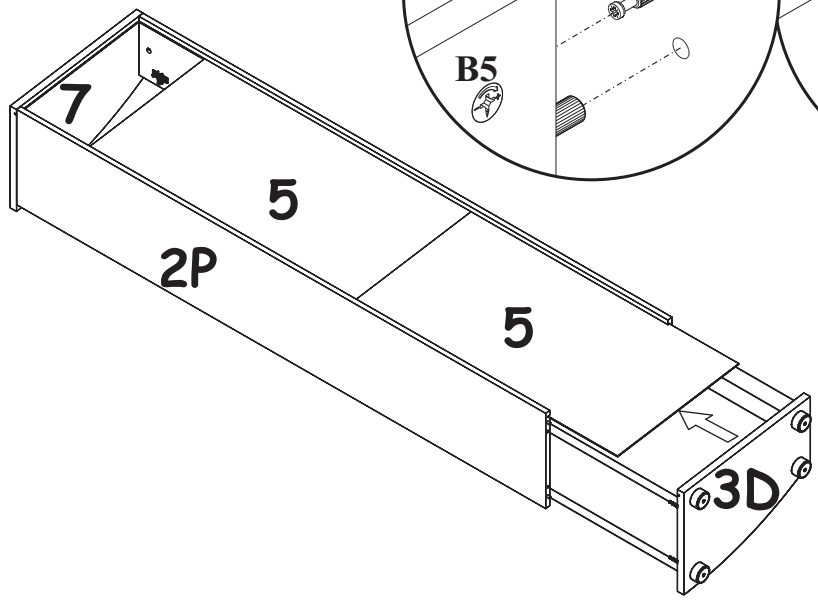
2



3



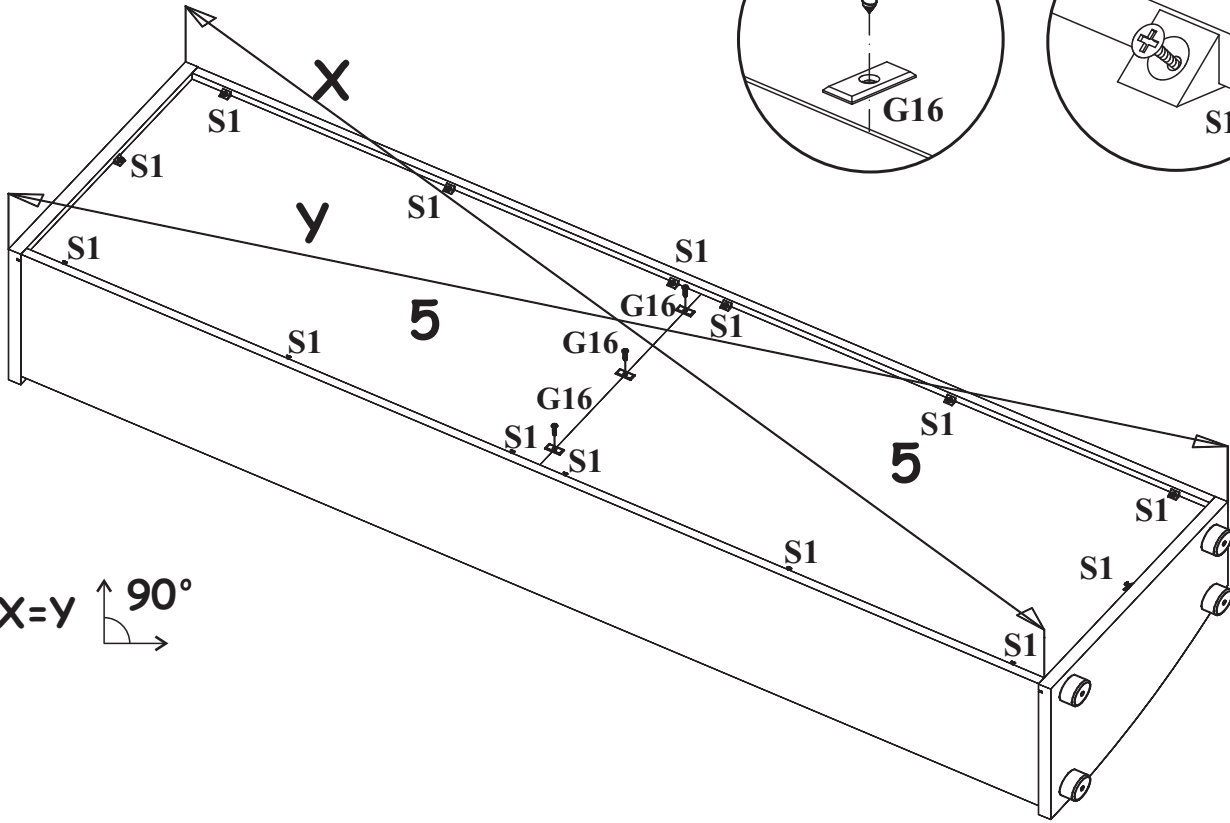
4



ABW ONTARIO I 24...O1
ABW ONTARIO II 24...O2

TYPE-01

5



6

