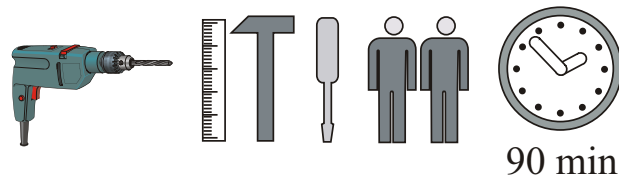
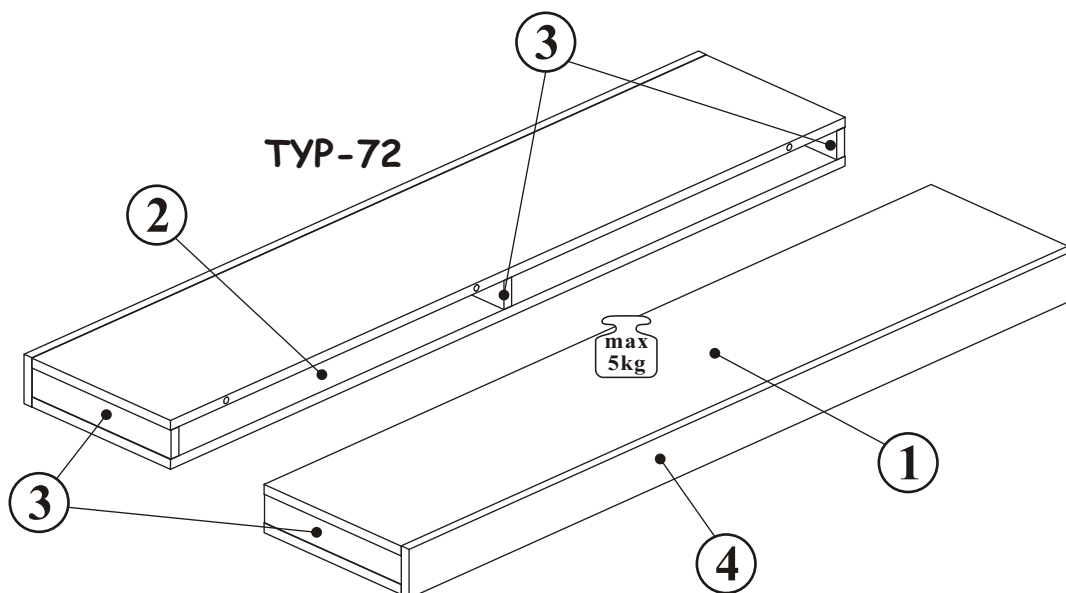
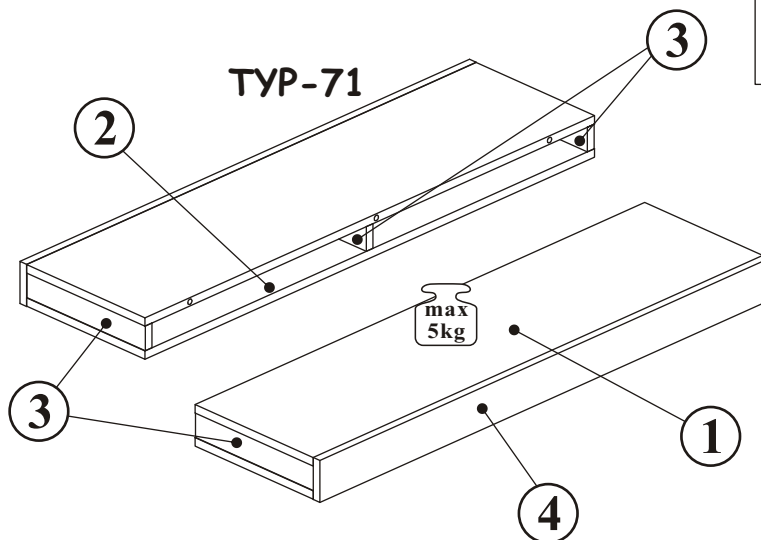
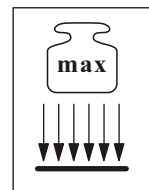
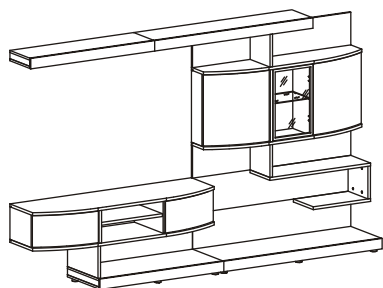


PALERMO 20 _PM TYP-71 ; TYP-72



90 min

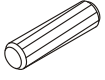
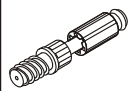


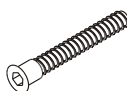



TYP-71

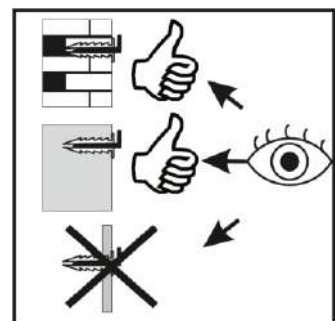
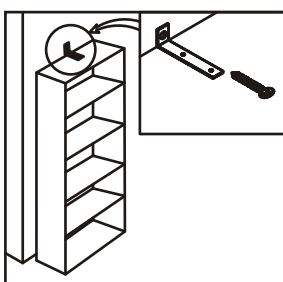
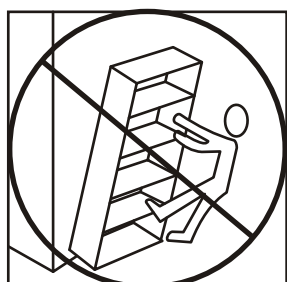
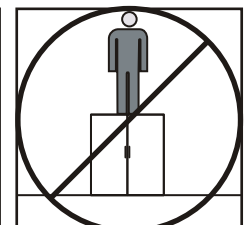
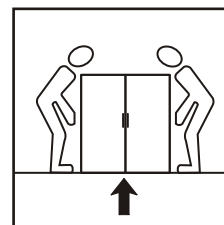
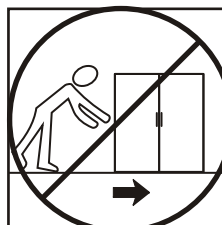
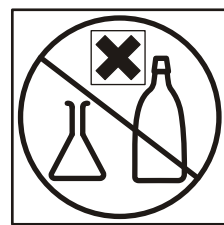
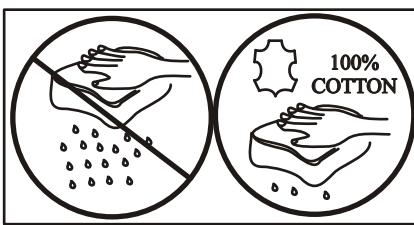
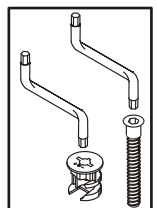
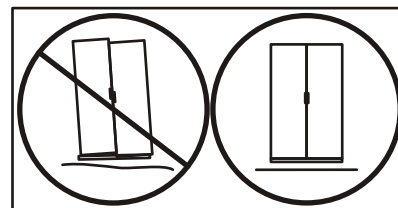
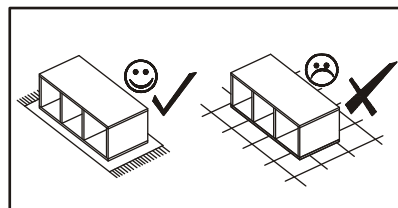
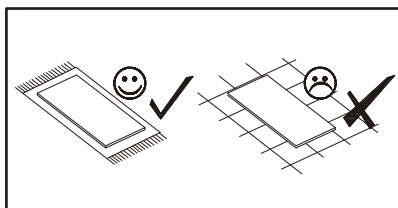
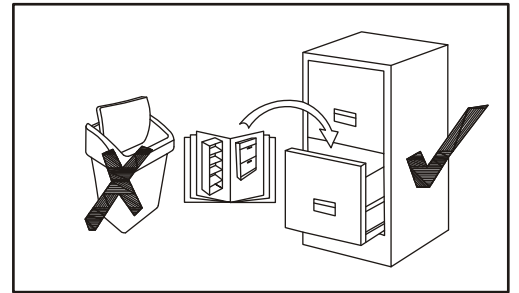
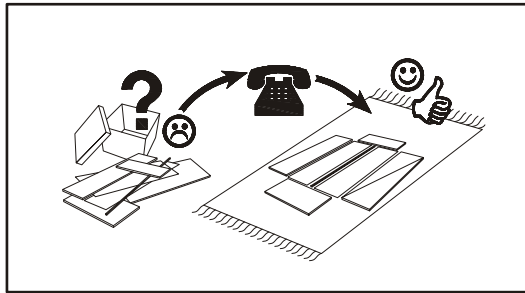
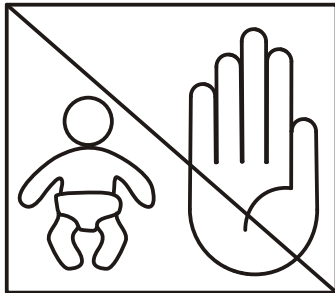
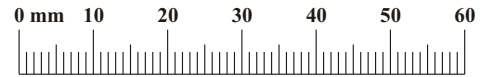
NO	Dim.			Col-No	Qty
1	1080	284	16	4	1
2	1080	284	16	4	1
3	284	47	16	4	3
4	1080	80	16	4	1

TYP-72

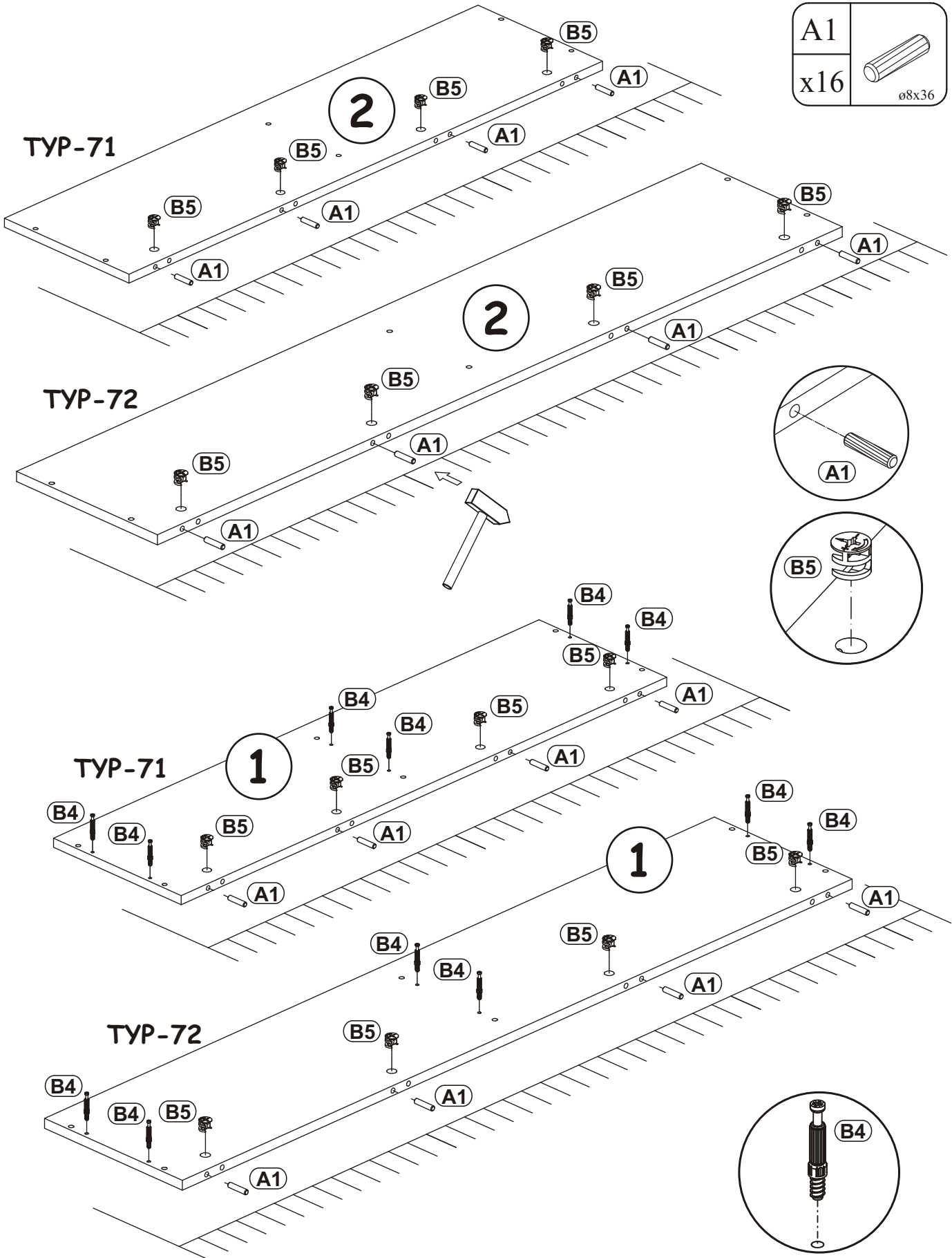
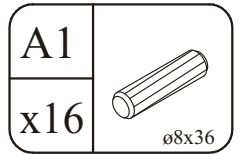
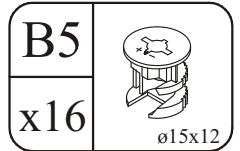
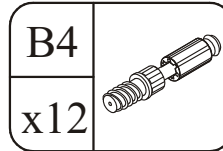
NO	Dim.			Col-No	Qty
1	1380	284	16	4	1
2	1380	284	16	4	1
3	284	47	16	4	3
4	1080	80	16	4	1

PALERMO 20 __PM TYP-71; TYP-72

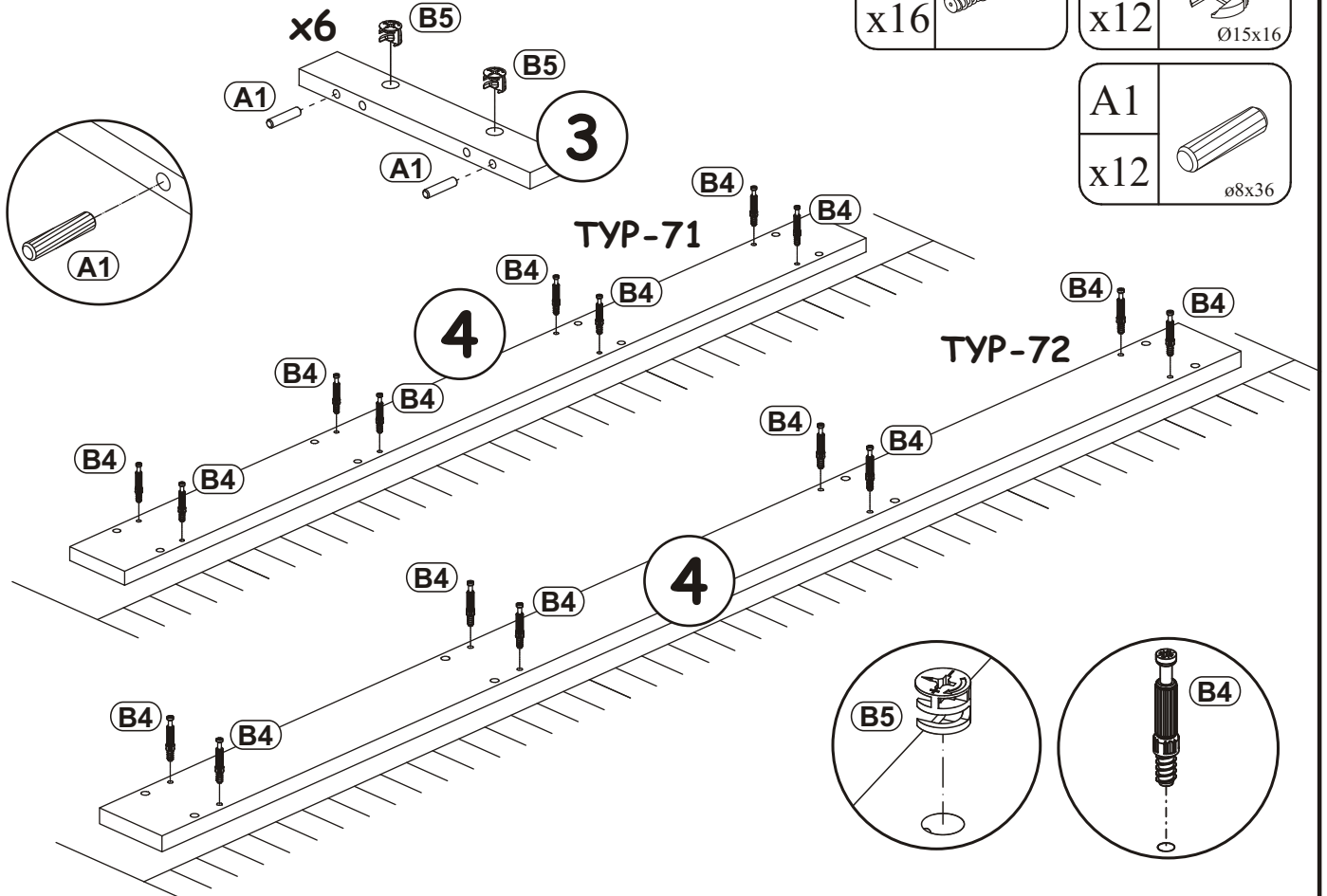
A1 x28  ø8x36	B4 x28 	B5 x28  ø15x12	G5 x28 	B11 x12  Ø7x50	G4 x12 
				PP1 x6 	G2 x1 



1



2

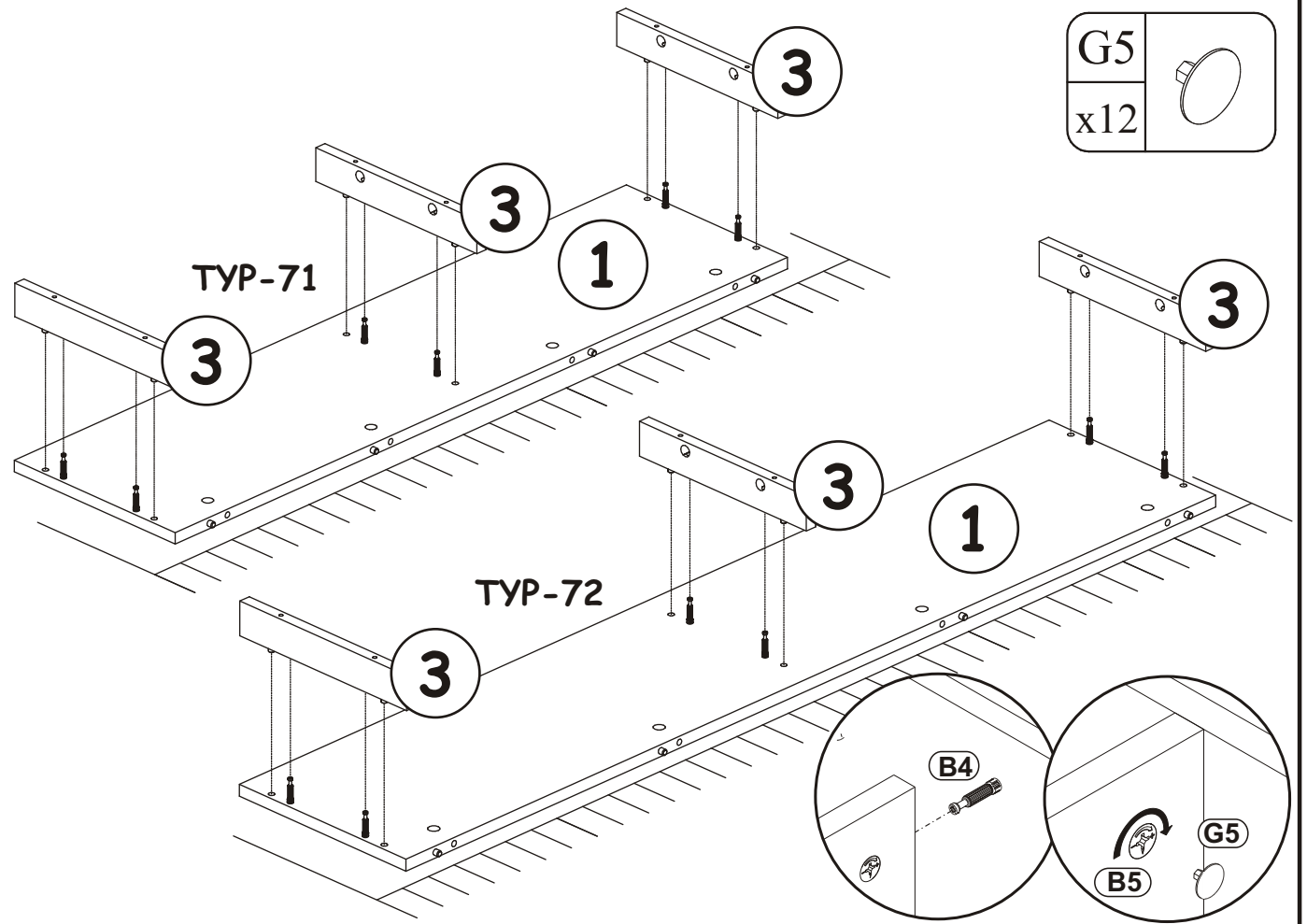


B4	
x16	

B16	
x12	Ø15x16

A1	
x12	ø8x36

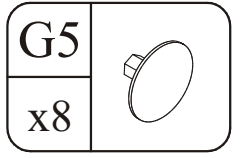
3



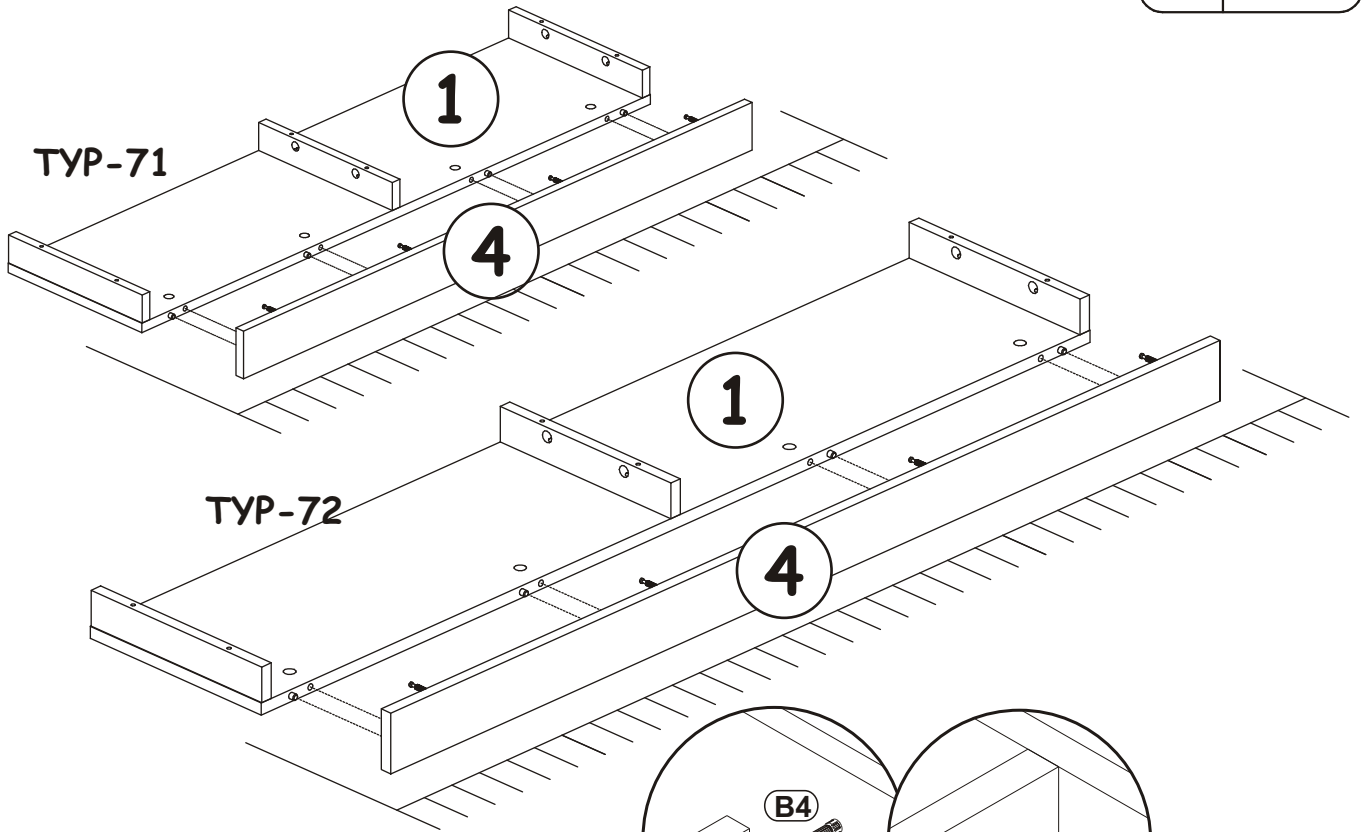
G5	
x12	

B4	
----	--

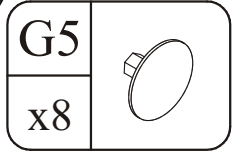
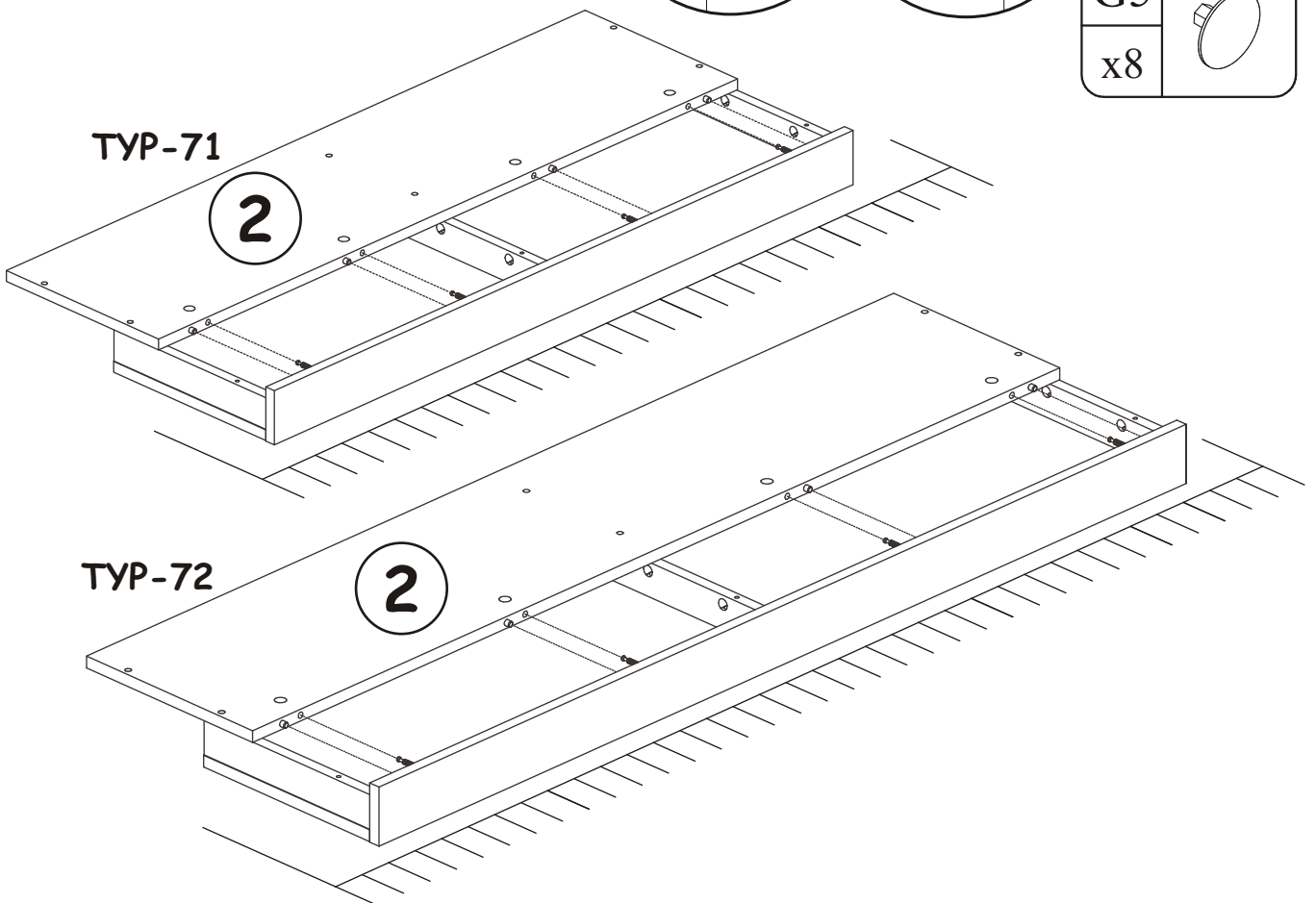
B5	
G5	





4

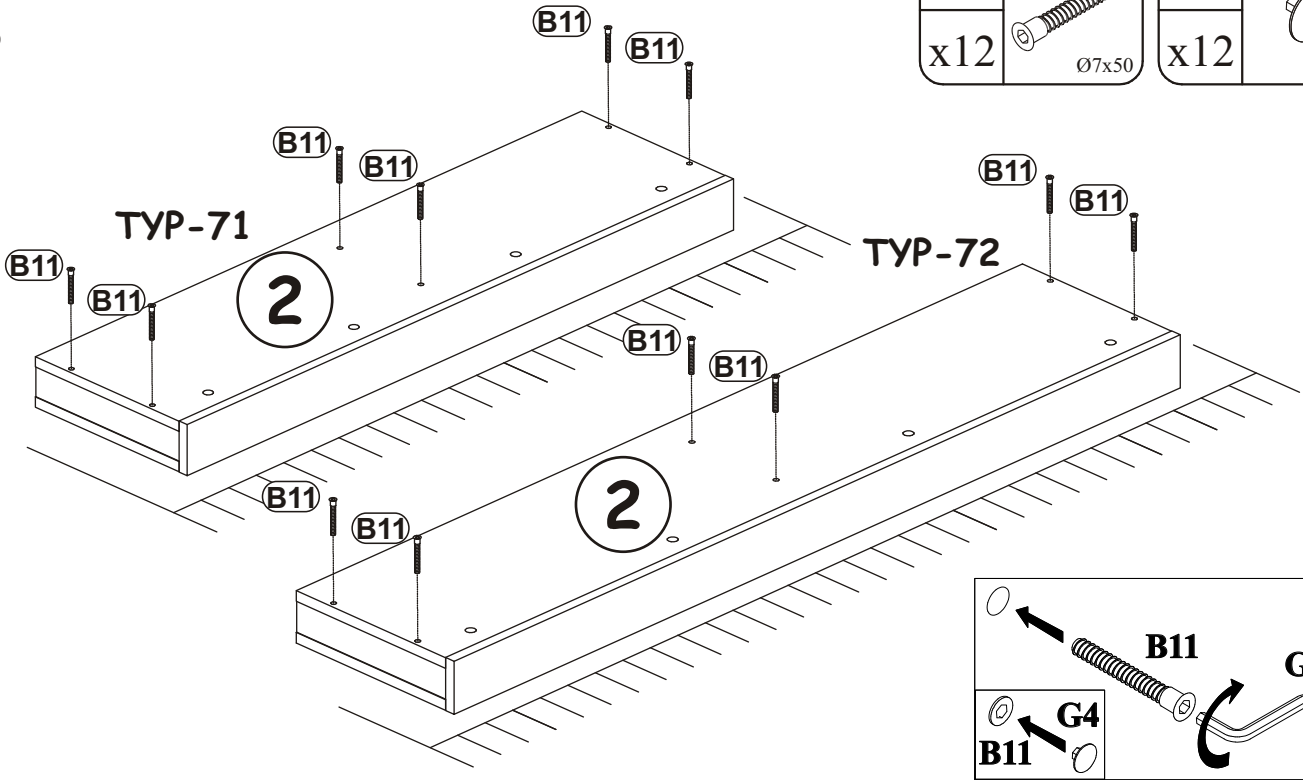


5

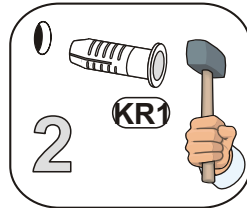
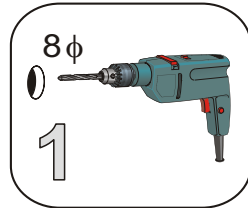
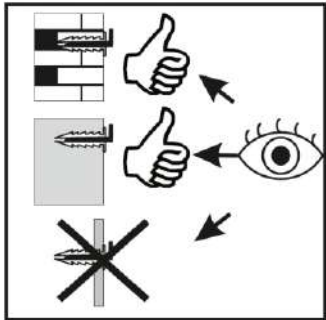


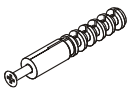
6

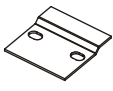
B11		G4	
x12	Ø7x50	x12	

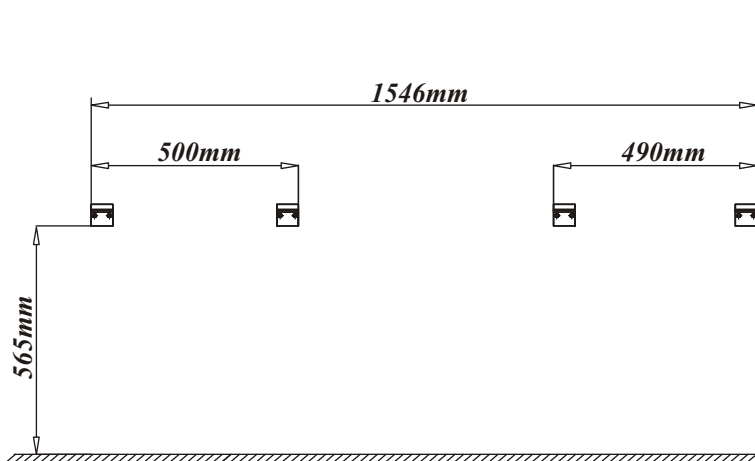
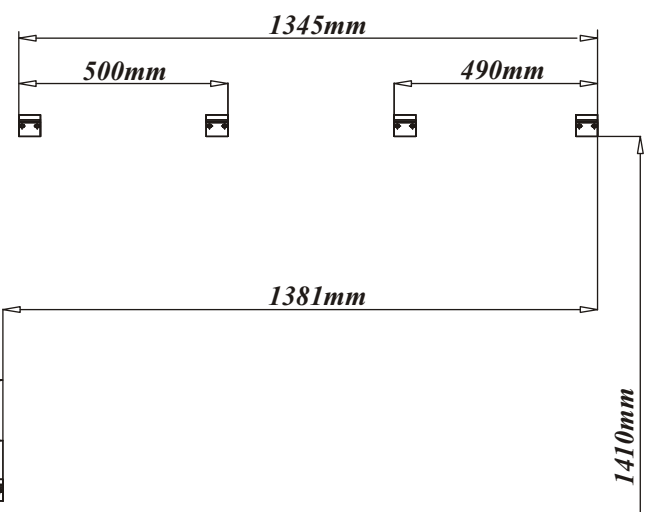
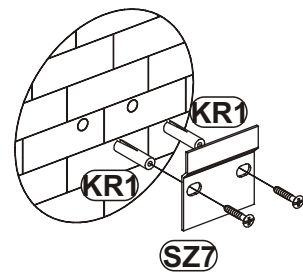


7

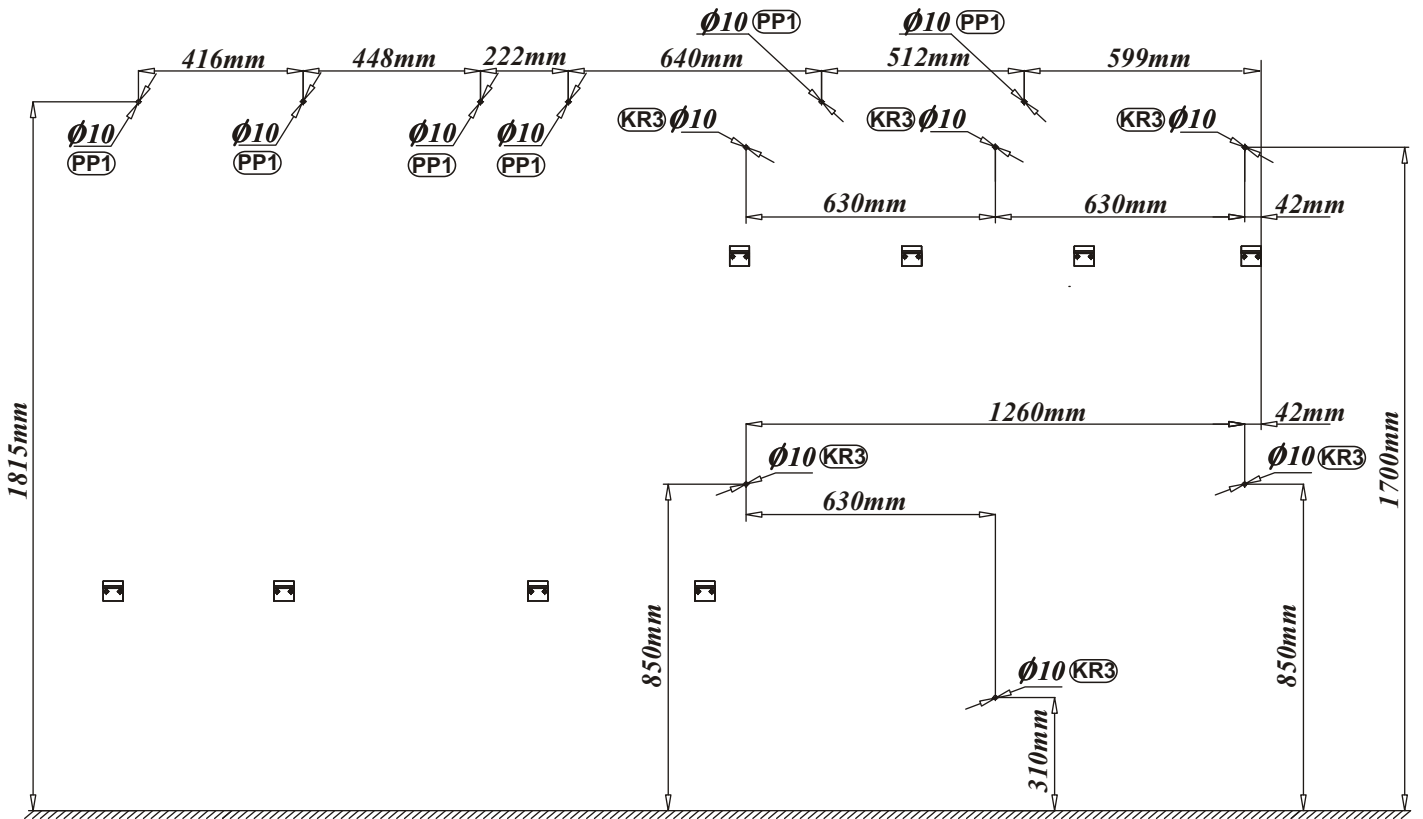
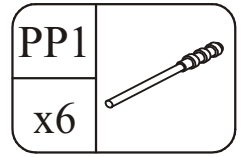
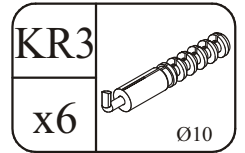
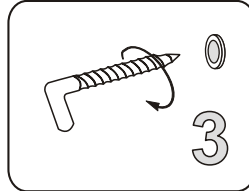
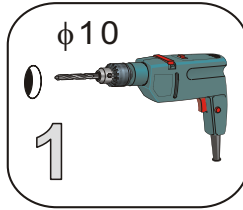
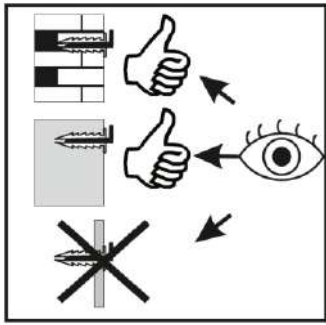


KR1	
x16	

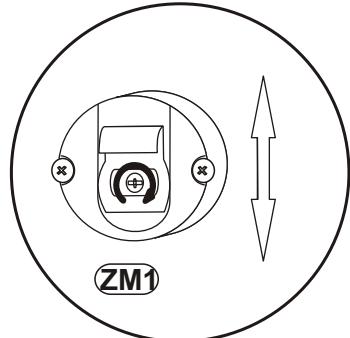
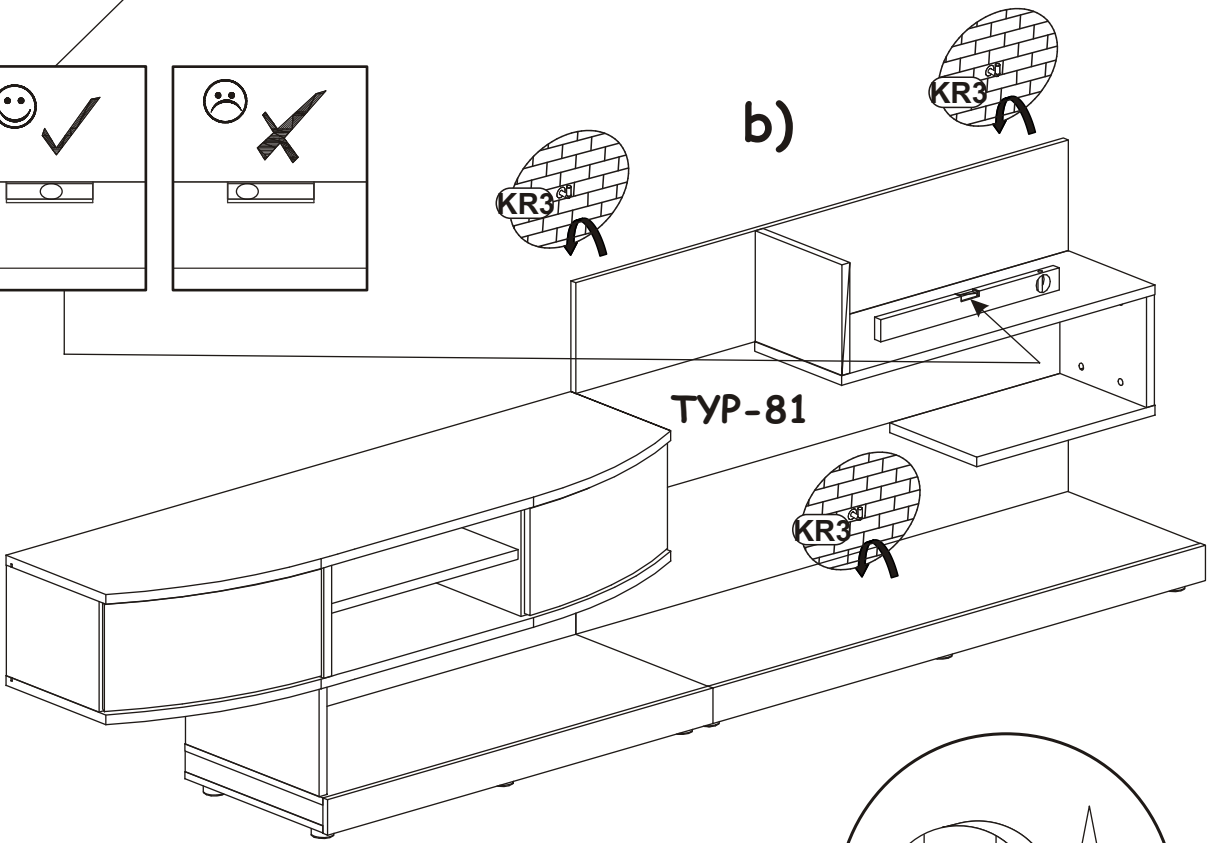
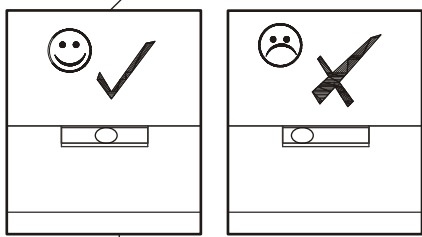
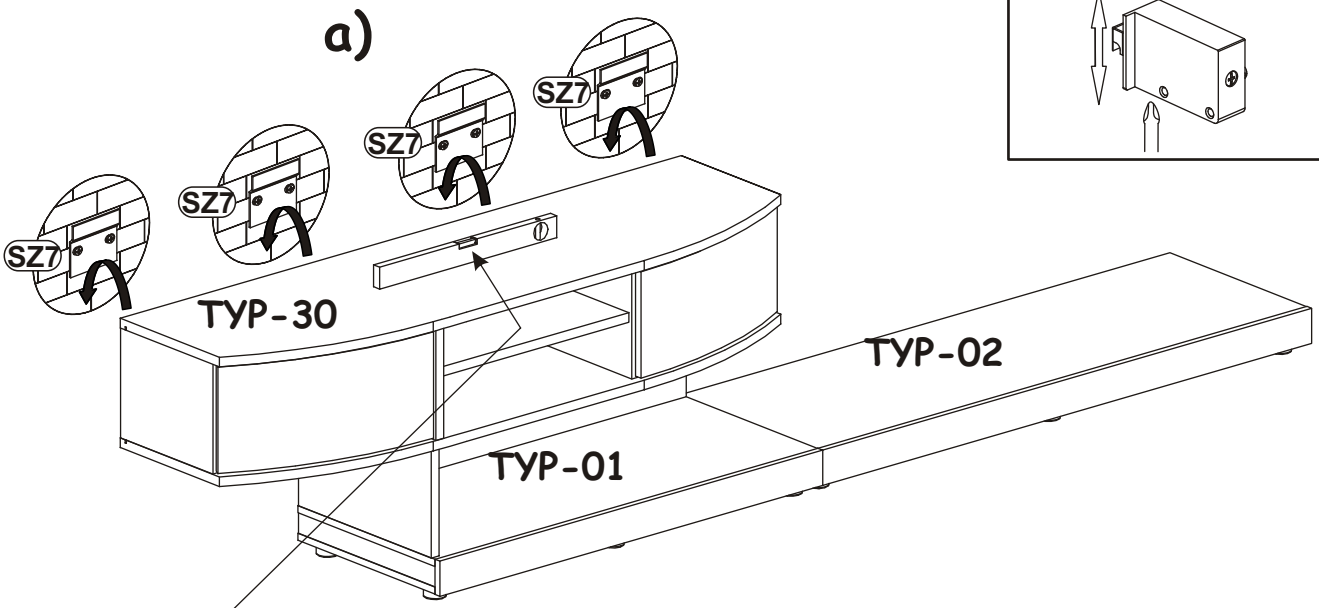
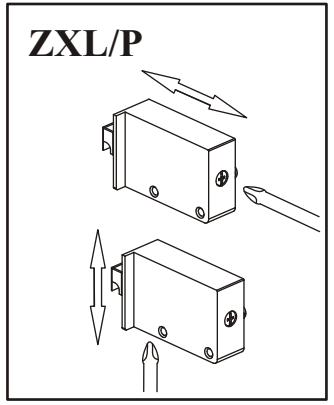
SZ7	
x8	



8

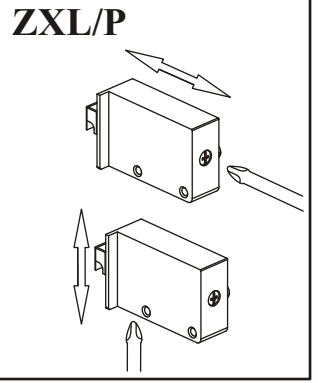
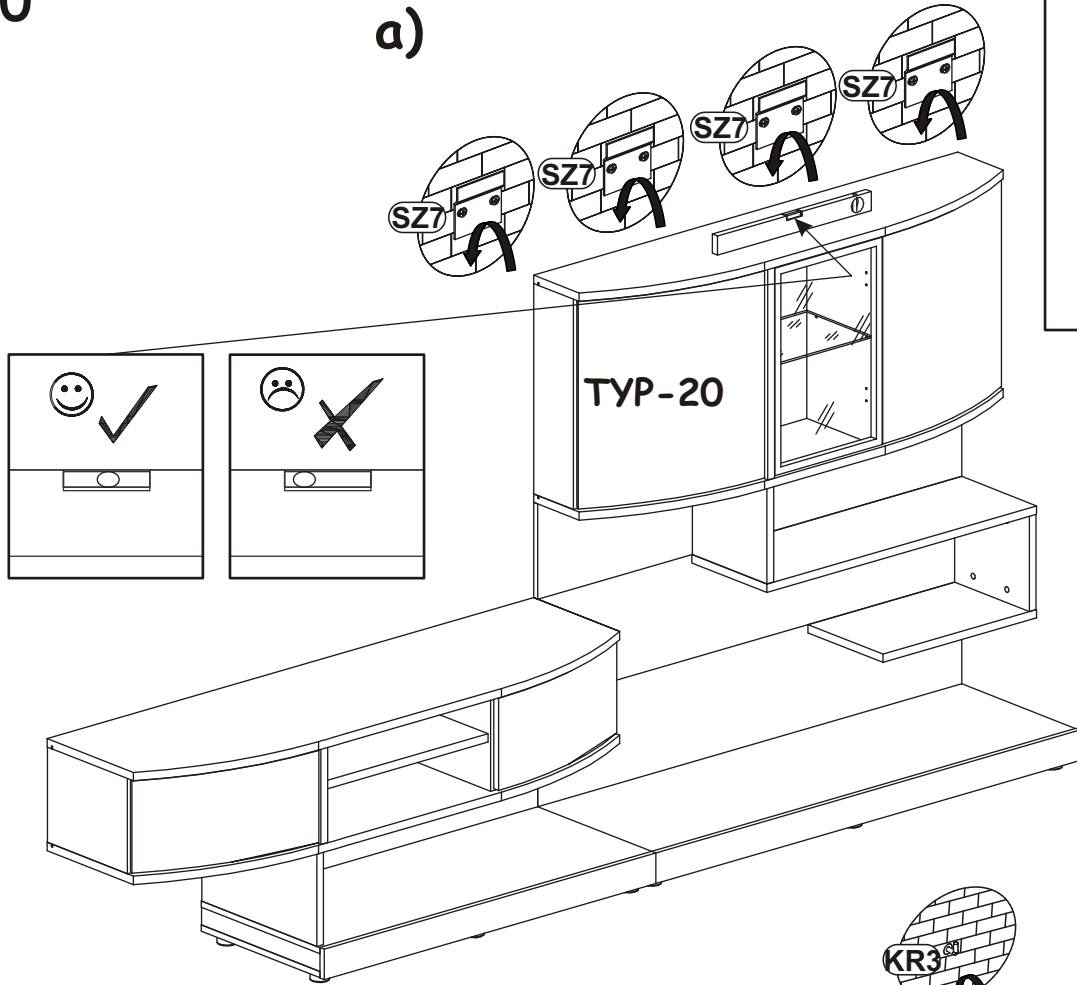


9

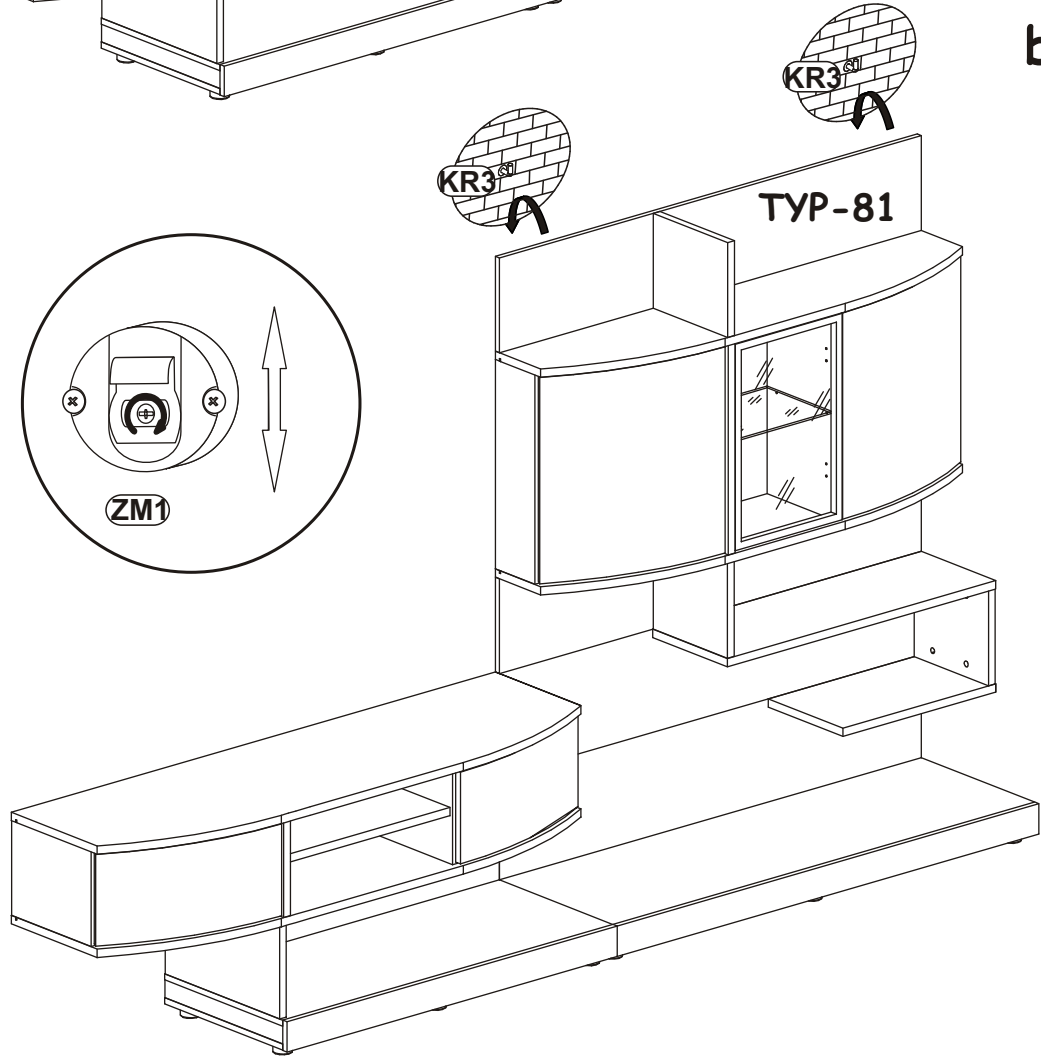


10

a)



b)



11

