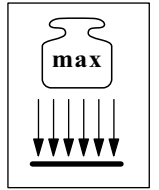
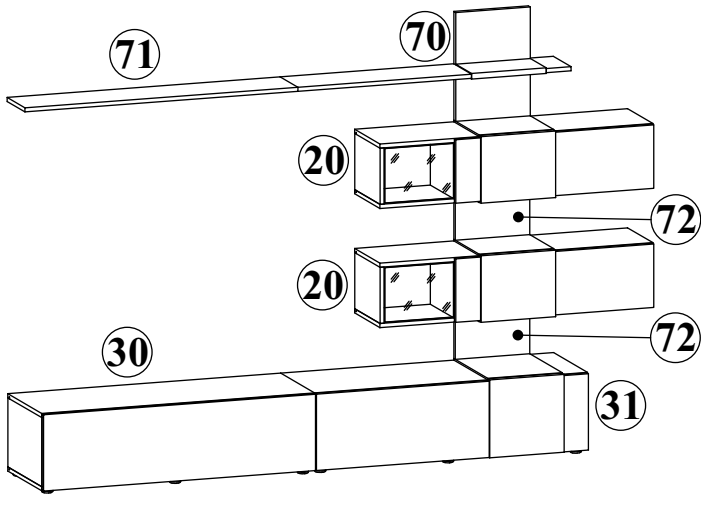
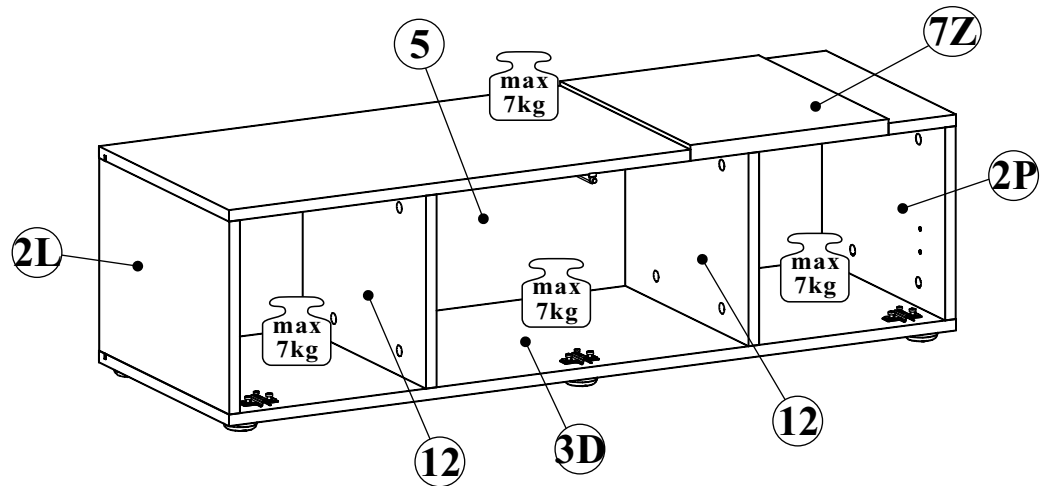
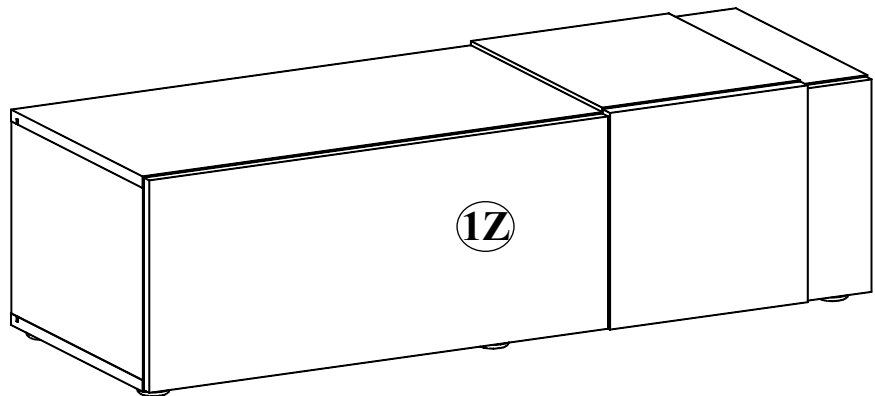


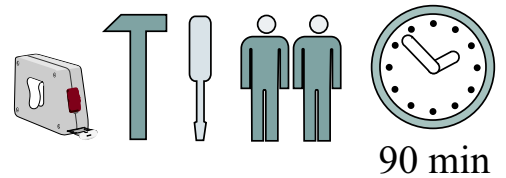
QUILL TYP 31



31


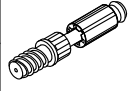

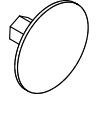


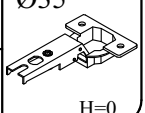
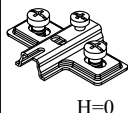

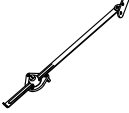


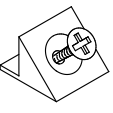


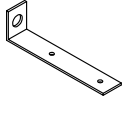



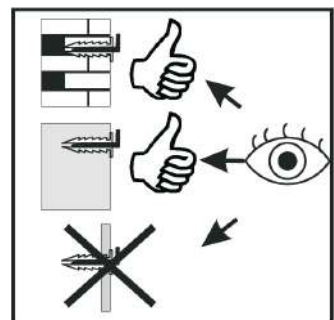
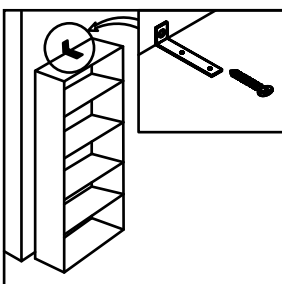
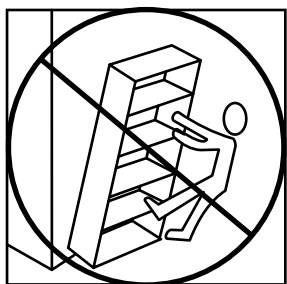
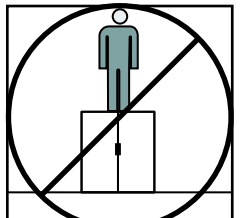
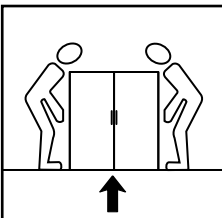
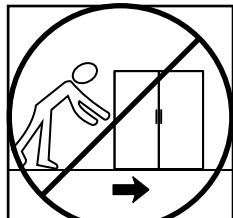
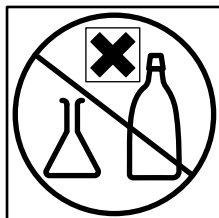
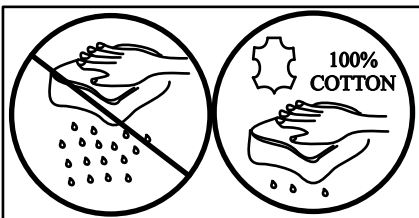
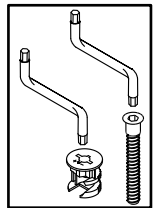
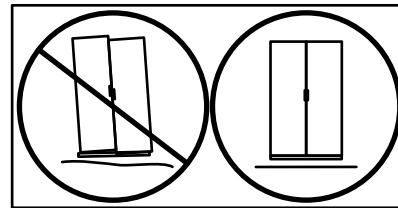
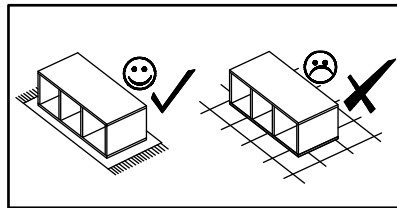
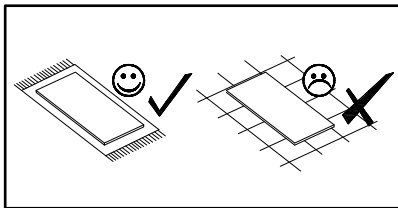
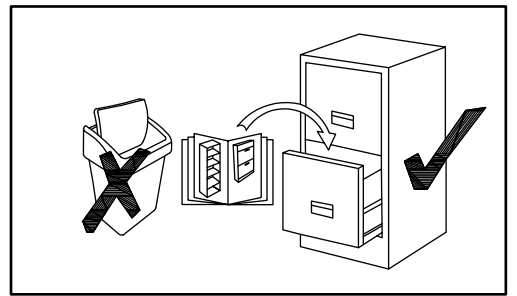
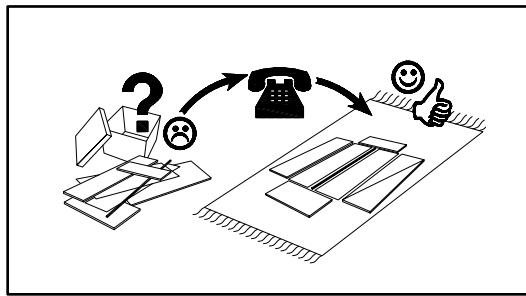
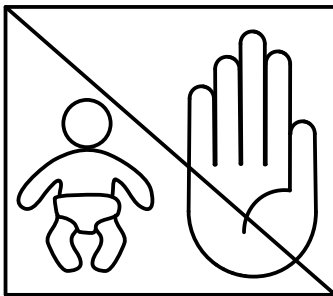
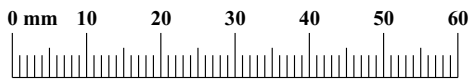
| NO | Dim. | | | Col.-No | Qty |
|----|------|------|----|---------|-----|
| 1Z | 296 | 1096 | 16 | 1 | 1 |
| 2L | 268 | 380 | 16 | 1 | 1 |
| 2P | 268 | 380 | 16 | 1 | 1 |
| 12 | 268 | 360 | 16 | 1 | 2 |
| 3D | 1100 | 380 | 16 | 1 | 1 |
| 5 | 280 | 1079 | 3 | 1 | 1 |
| 7Z | 1100 | 380 | 16 | 1 | 1 |



90 min

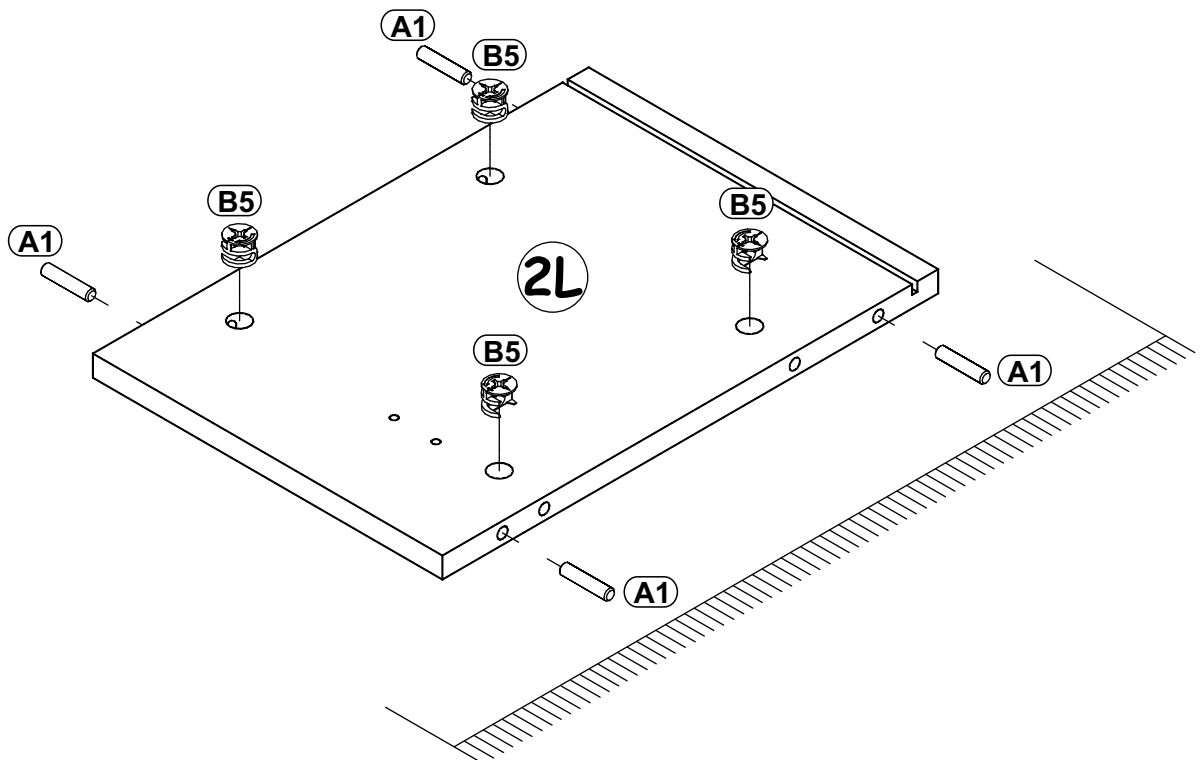
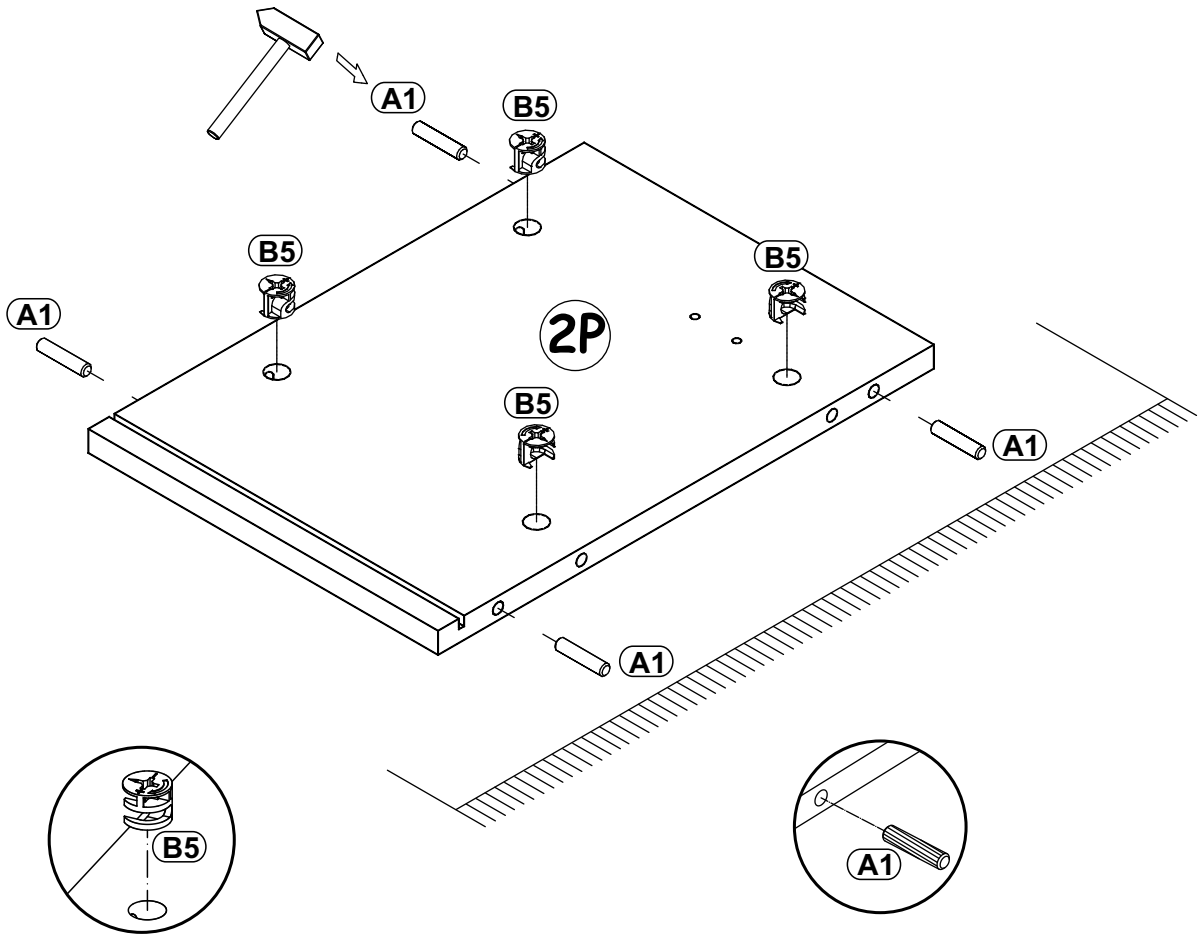
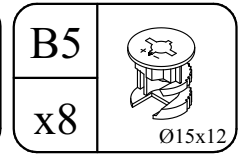
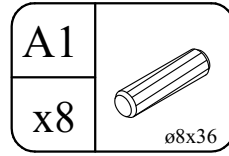
QUILL TYP 31

| | | | | | |
|--|--|--|---|---|--|
| A1 x16  ø8x36 | B4 x16  | B5 x16  Ø15x12 | G5 x16  | I11 x6  Ø45, h=15 | UP11 x6  UPØ4x20 |
| E21 x3  Ø35 H=0 | E2 x3  H=0 | D10 x14  USØ3,5x13 | G21 x2  | D7 x6  USØ3x16 | OD2 x1  |
| S1 x10  | UP13 x2  UPØ3x16 | KR1 x1  | L1 x1  | G2 x1  | |



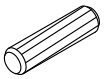
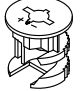
QUILL TYP 31

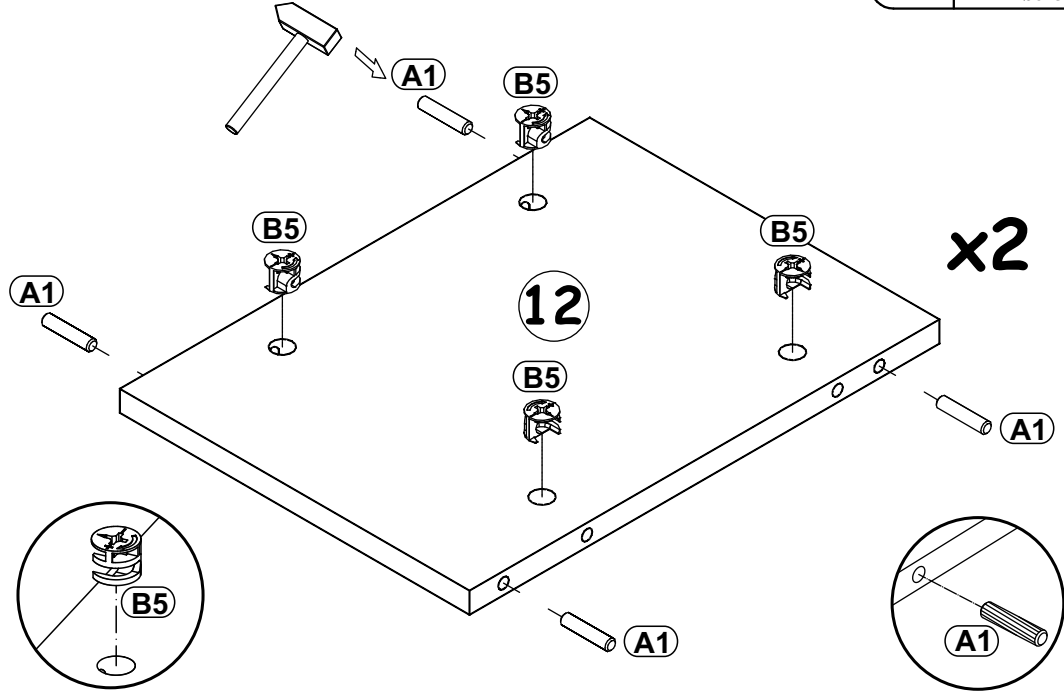
1



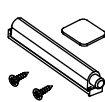
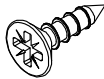
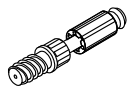
QUILL TYP 31

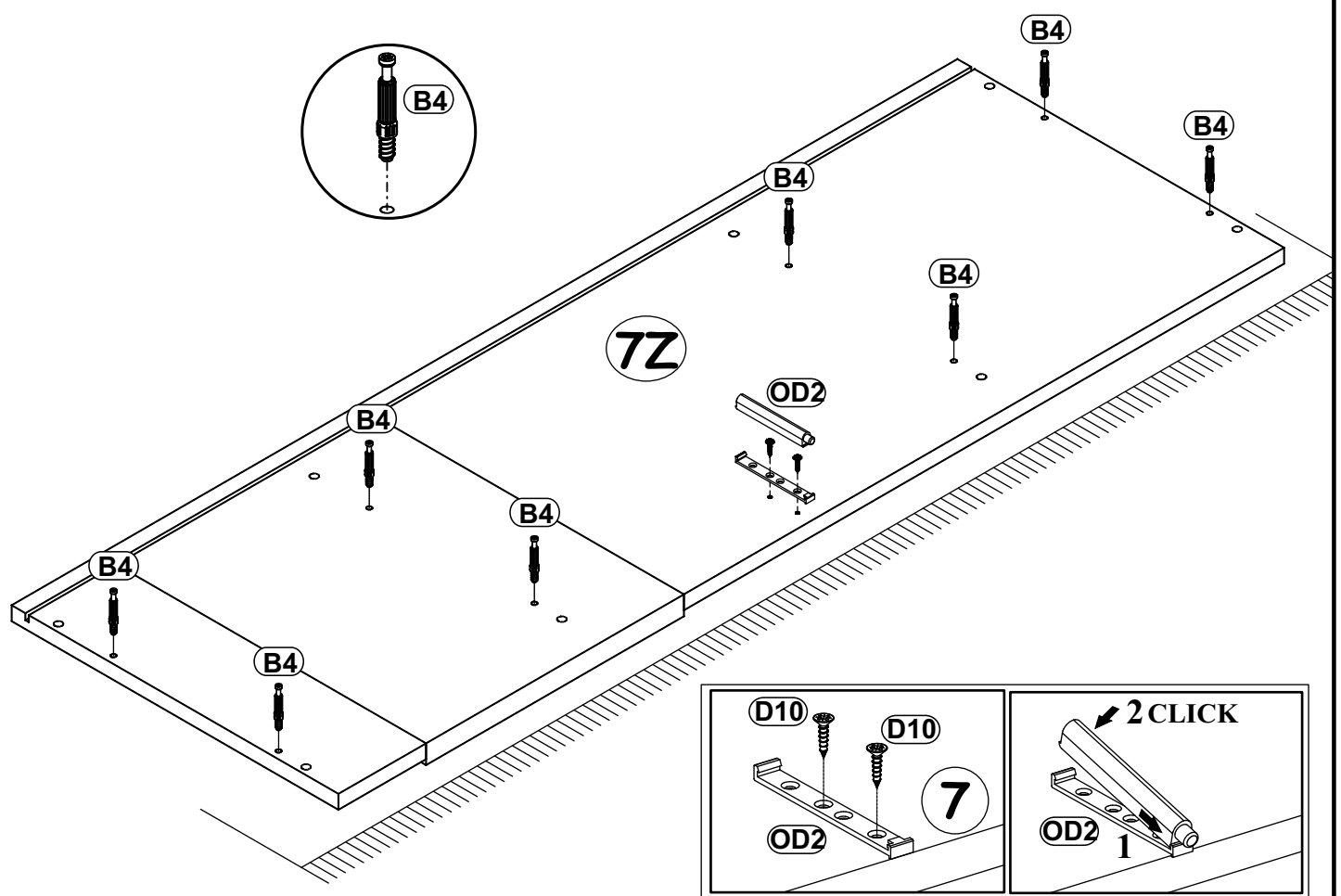
2

| | | | |
|----|---|----|---|
| A1 |  | B5 |  |
| x8 | ø8x36 | x8 | Ø15x12 |



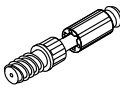
3

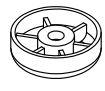
| | | | | | |
|-----|---|-----|---|----|--|
| OD2 |  | D10 |  | B4 |  |
| x1 | | x2 | USØ3,5x13 | x8 | |

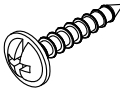


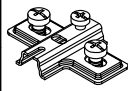
QUILL TYP 31

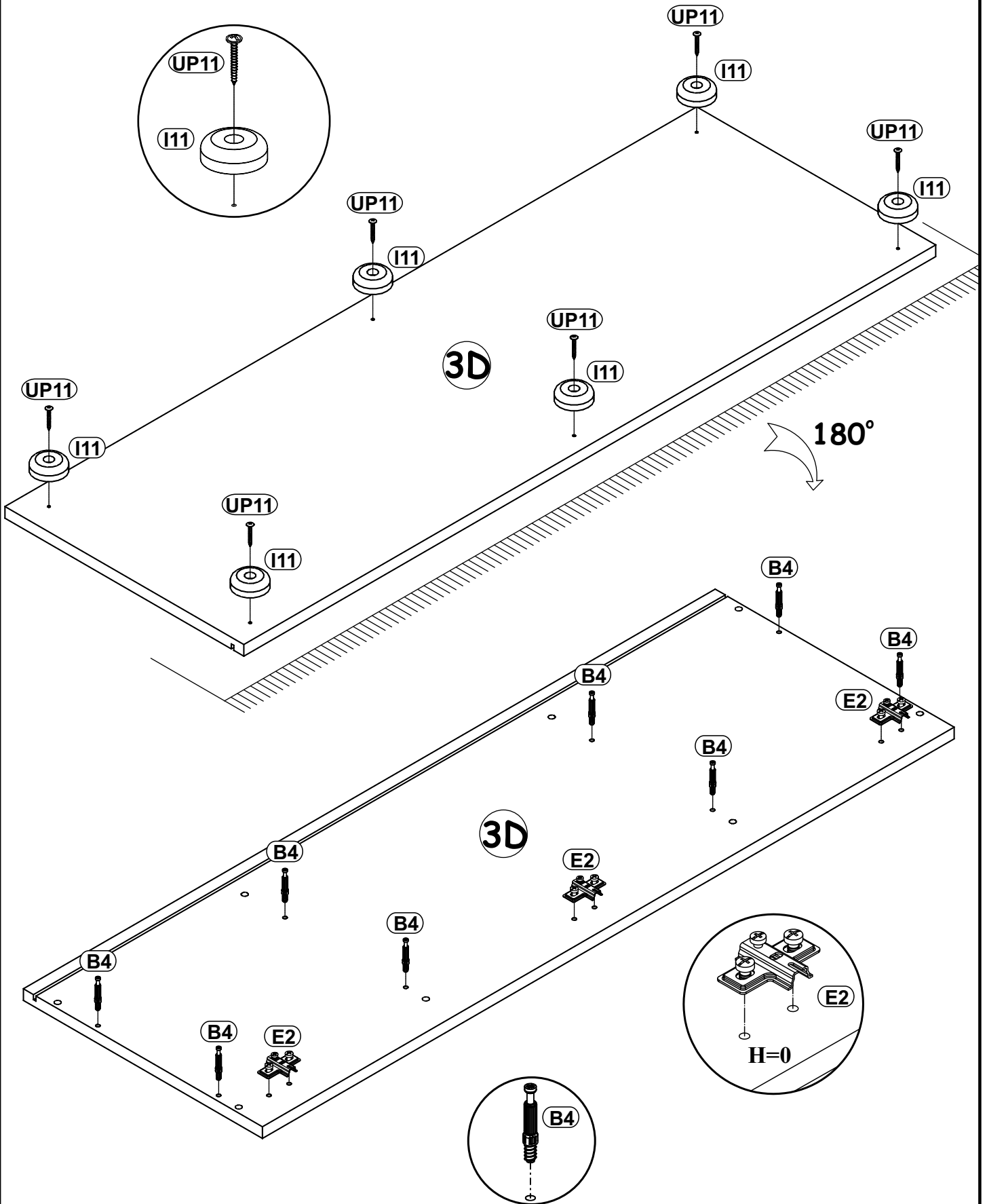
4

| | |
|----|---|
| B4 |  |
| x8 | |

| | |
|-----|--|
| I11 |  |
| x6 | Ø45, h=15 |


| | |
|------|---|
| UP11 |  |
| x6 | UPØ4x20 |

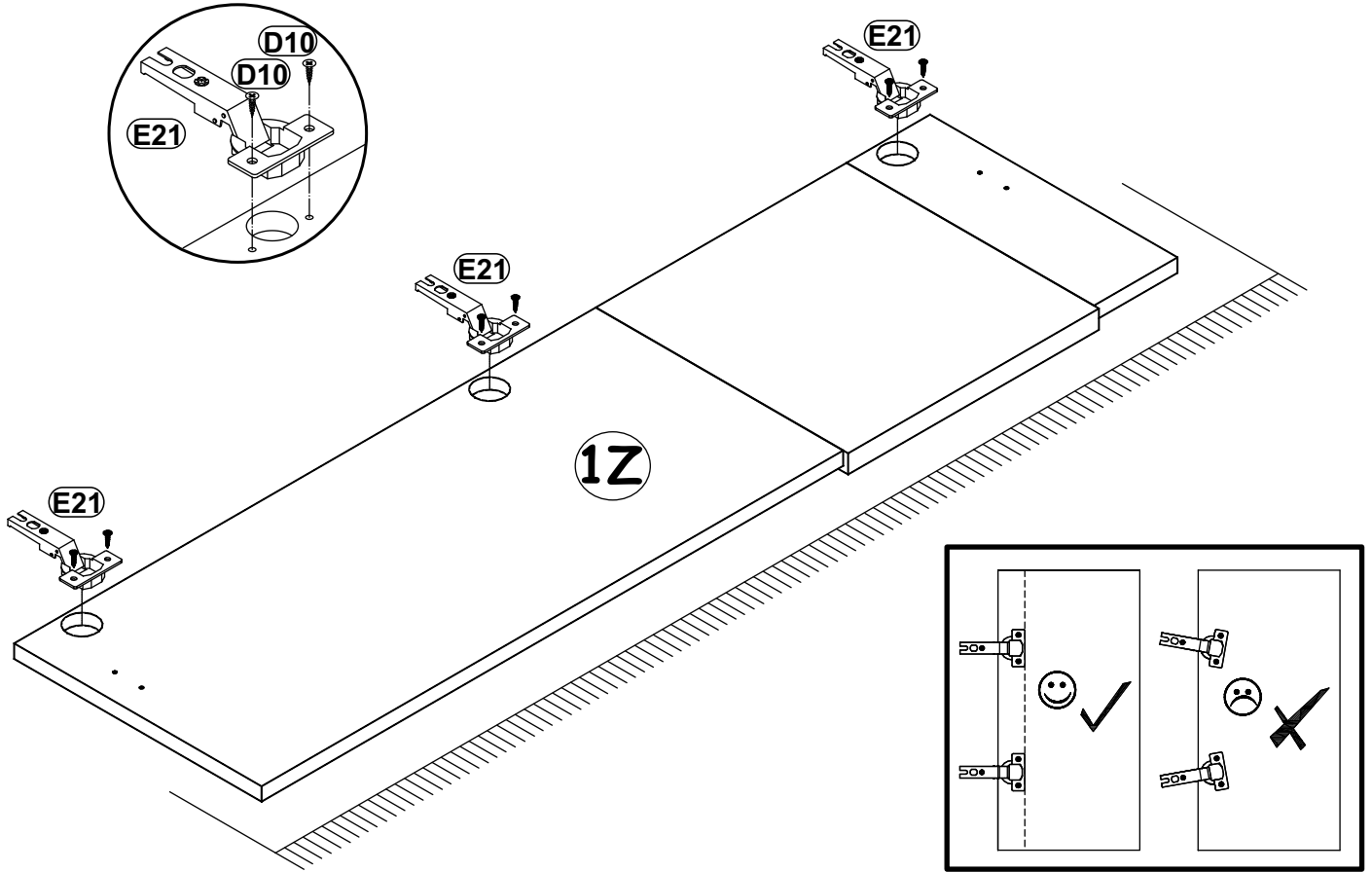
| | |
|----|---|
| E2 |  |
| x3 | H=0 |




QUILL TYP 31

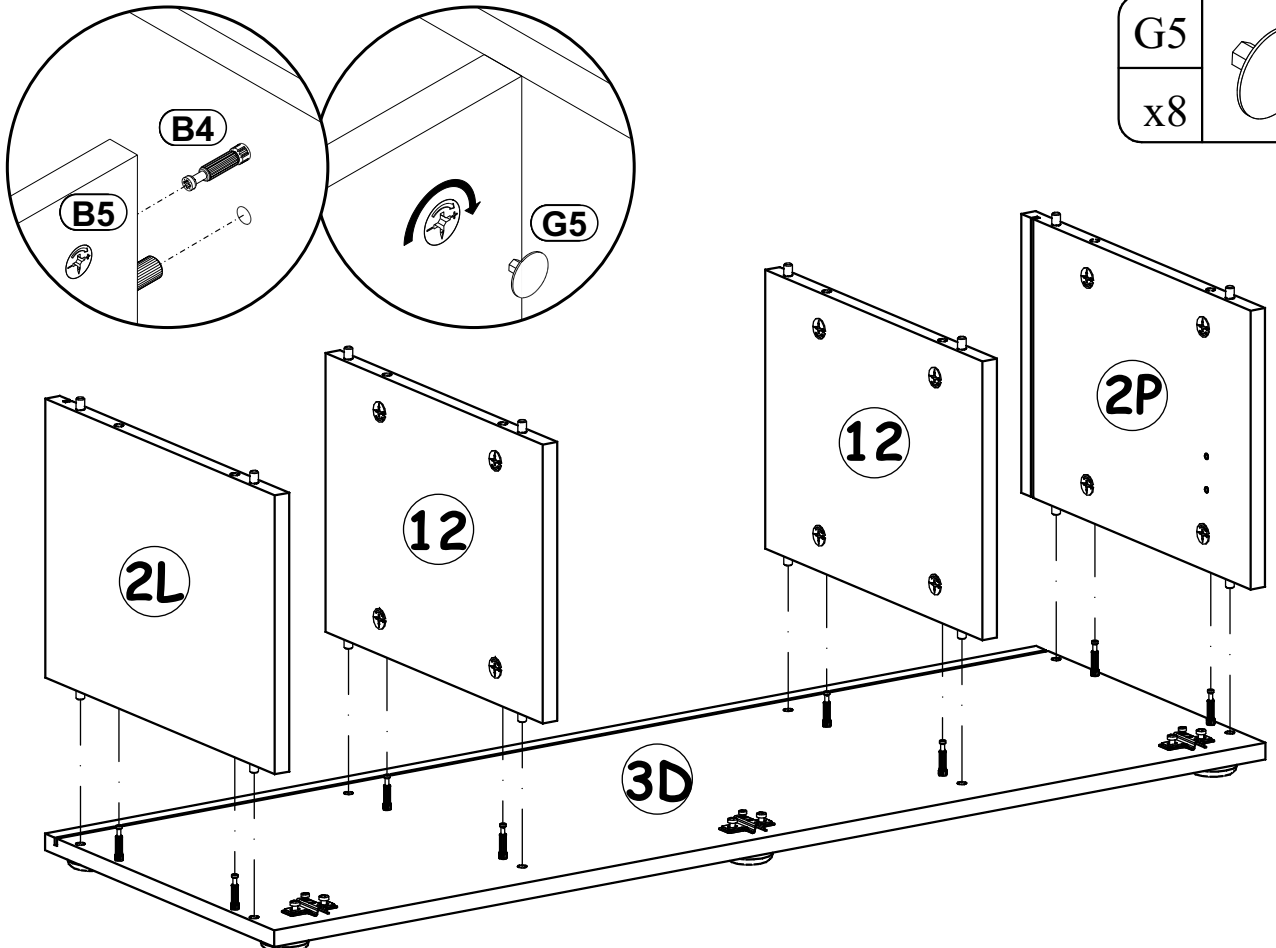
5

| | | | |
|-----|-----|-----|--|
| E21 | Ø35 | D10 |  USØ3,5x13 |
| x3 | H=0 | x6 | |



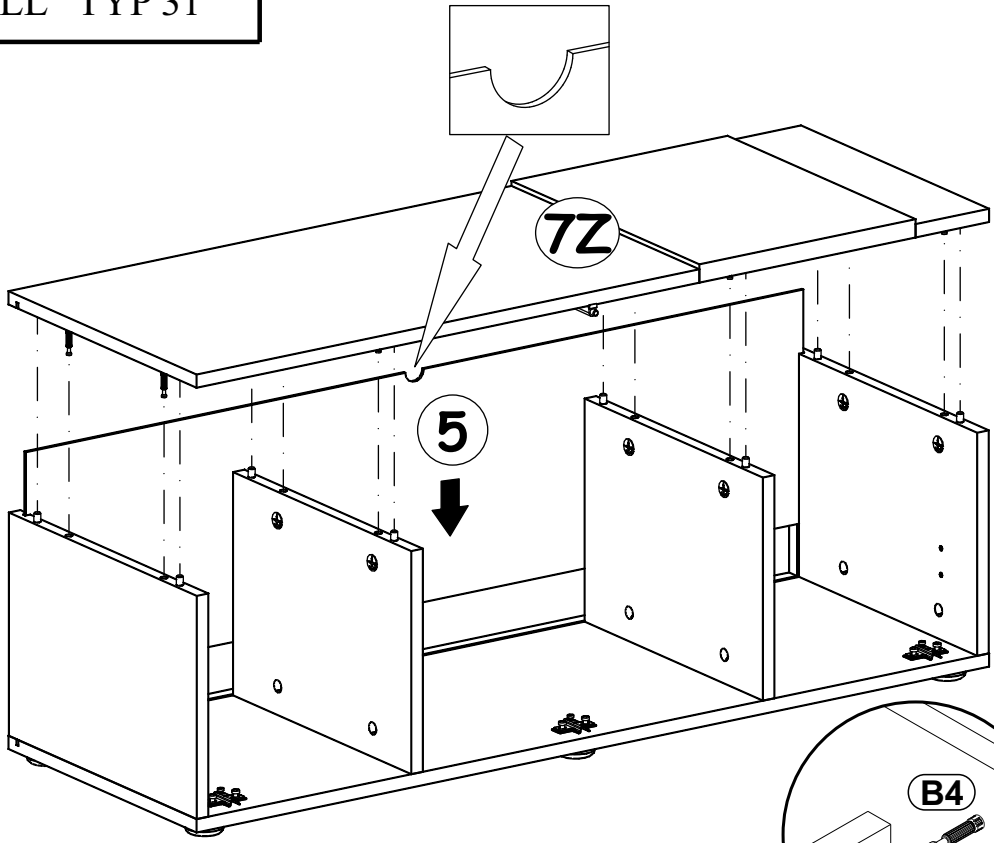
6

| | |
|----|---|
| G5 |  |
| x8 | |

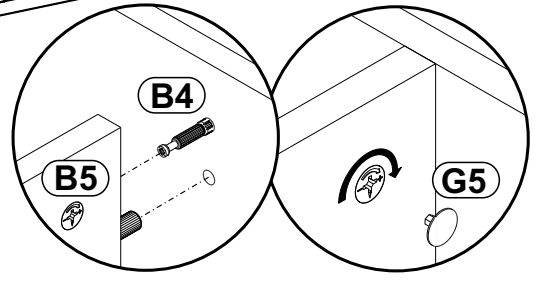


QUILL TYP 31

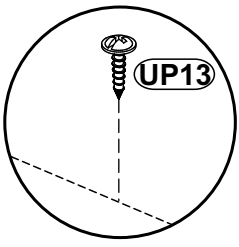
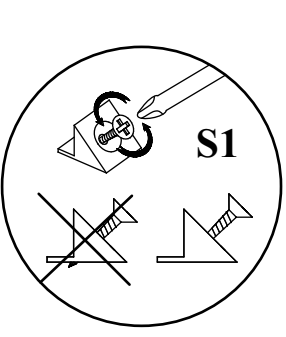
7



| | |
|----|--|
| G5 | |
| x8 | |

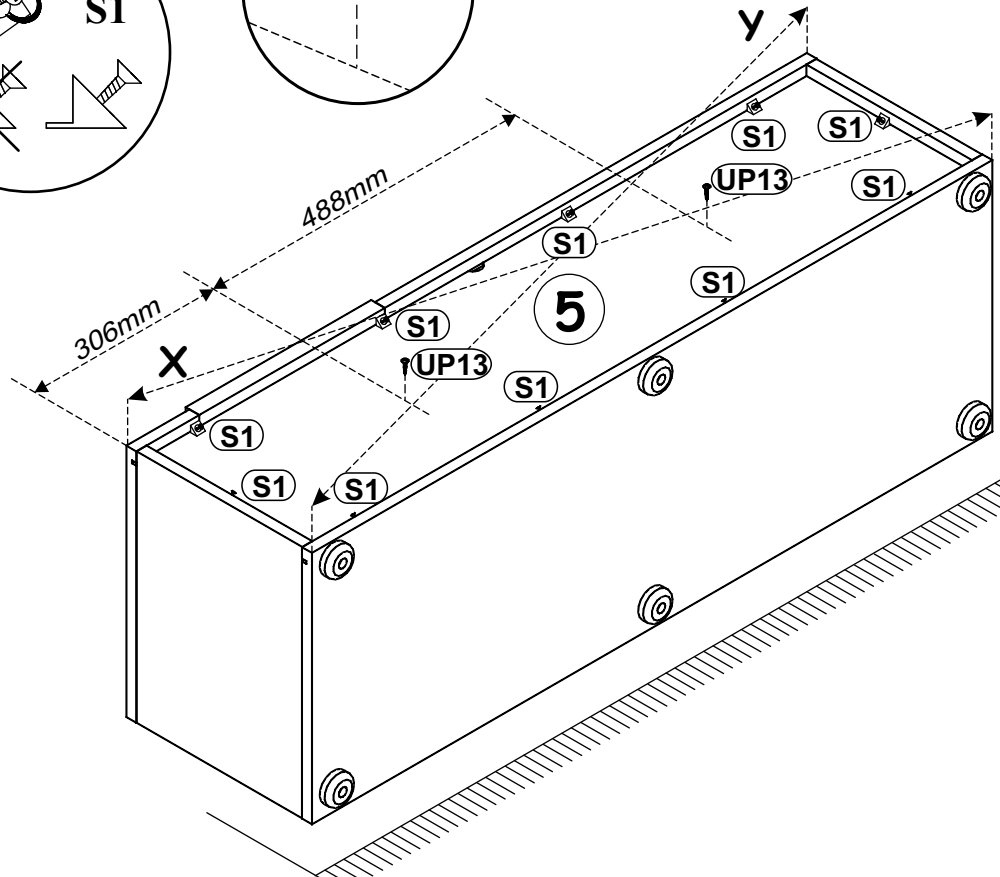
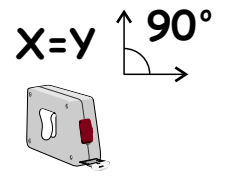


8



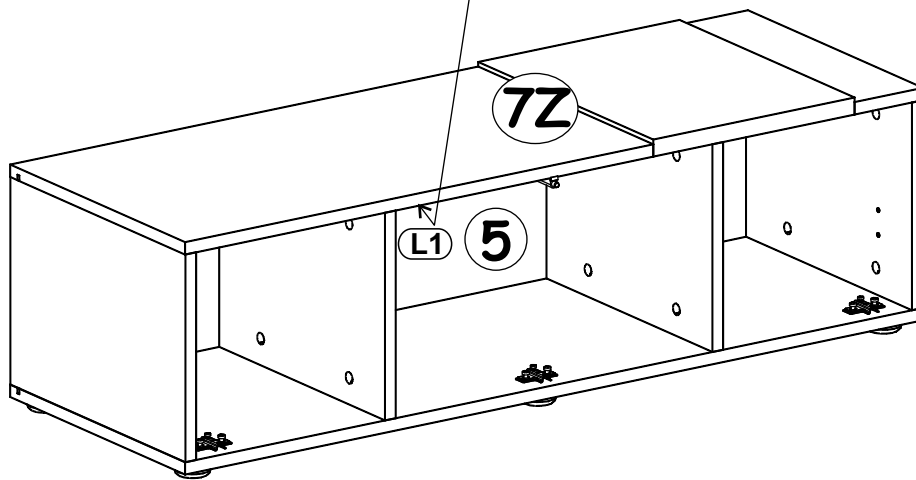
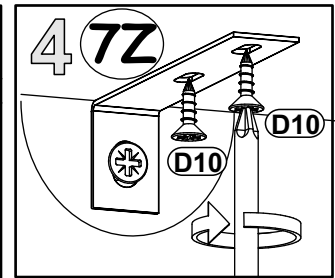
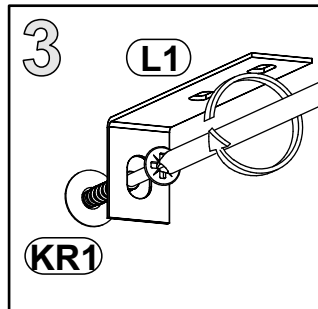
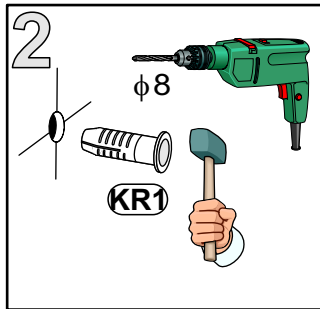
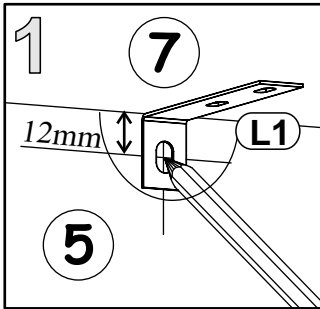
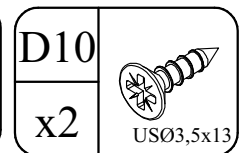
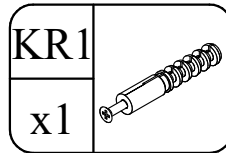
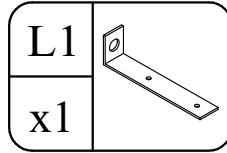
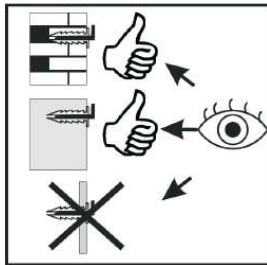
| | |
|-----|--|
| S1 | |
| x10 | |

| | |
|------|---------|
| UP13 | |
| x2 | UPØ3x16 |

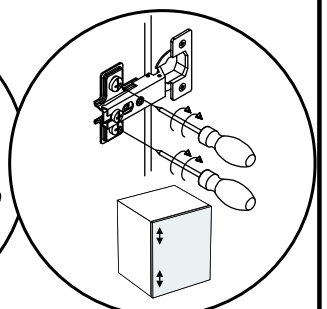
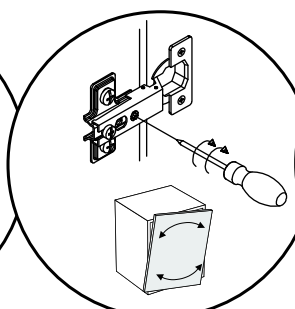
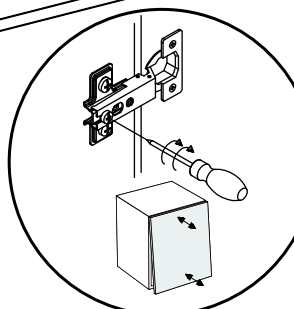
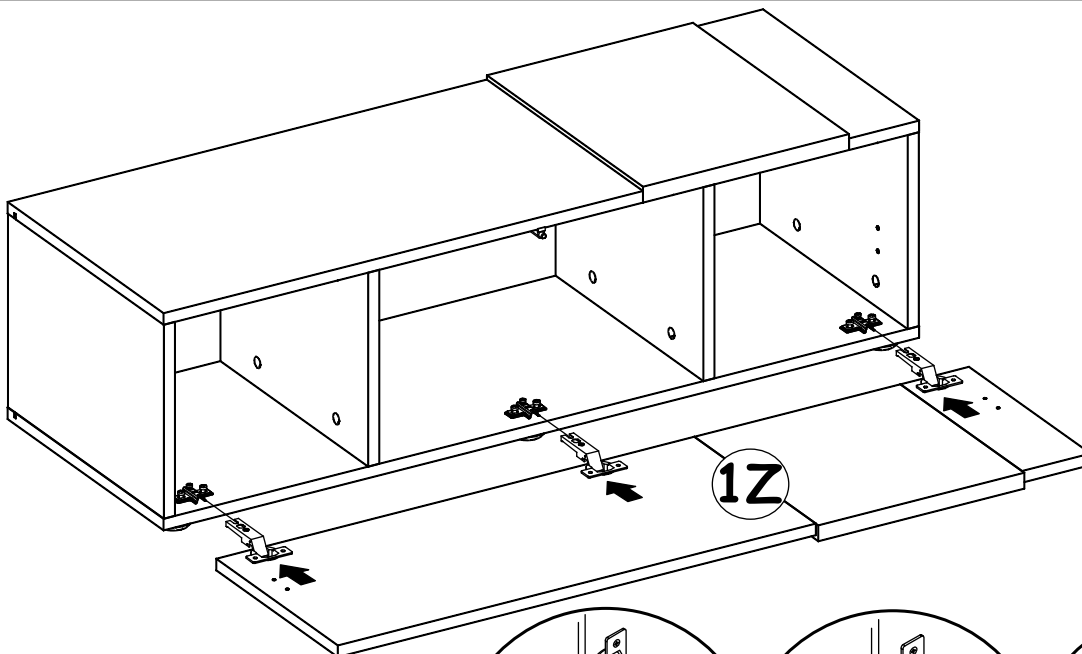


QUILL TYP 31

9

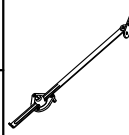


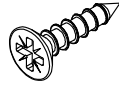
10

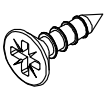


QUILL TYP 31

11

| | |
|-----|---|
| G21 |  |
| x2 | |

| | |
|----|---|
| D7 |  |
| x6 | USØ3x16 |

| | |
|-----|---|
| D10 |  |
| X4 | USØ3,5x13 |

