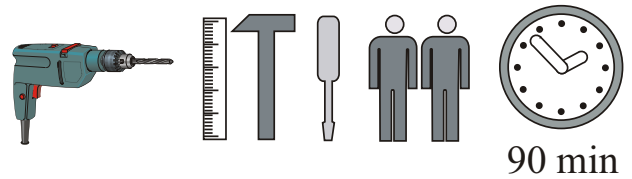
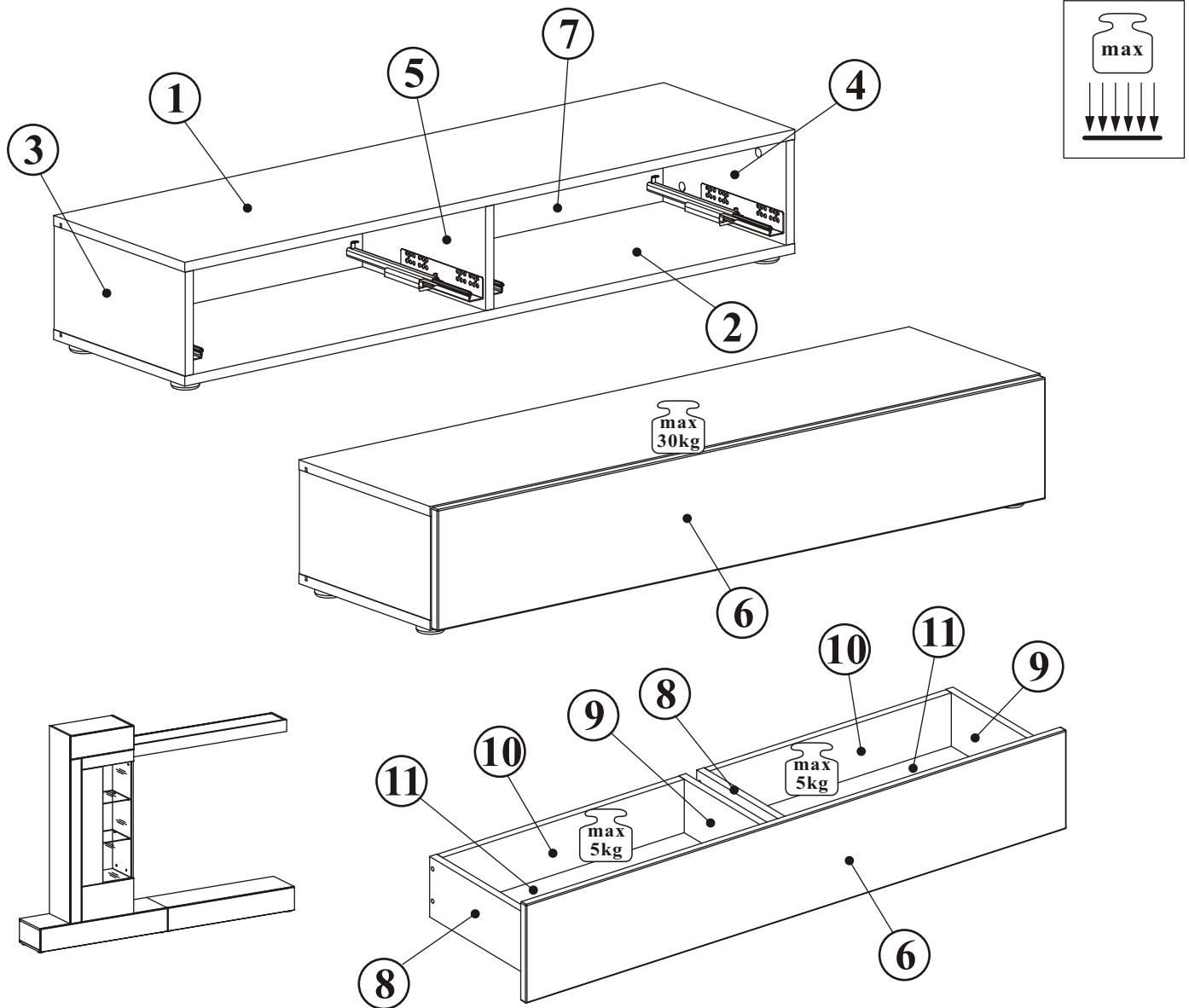


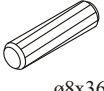
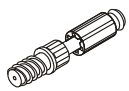
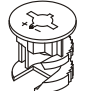




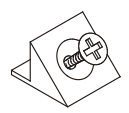



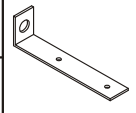
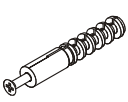

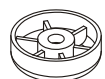

REBEL 20_RB TYP 30

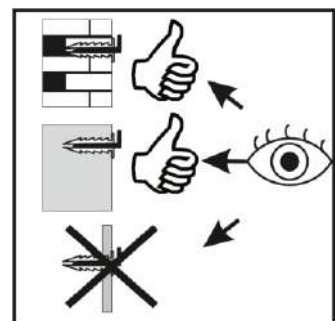
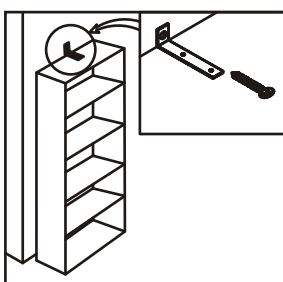
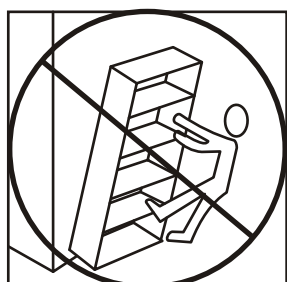
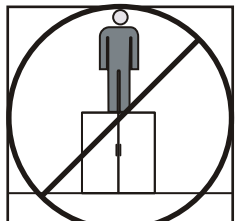
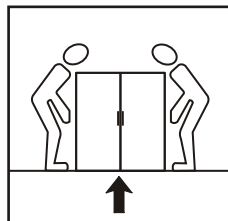
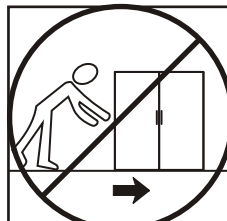
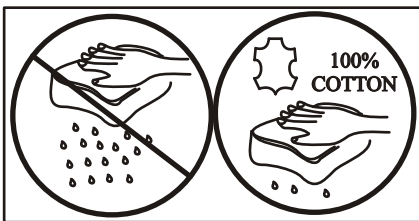
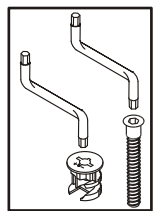
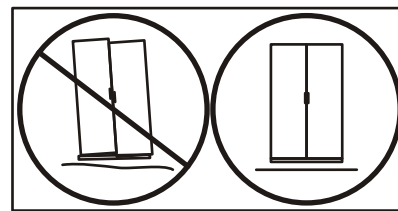
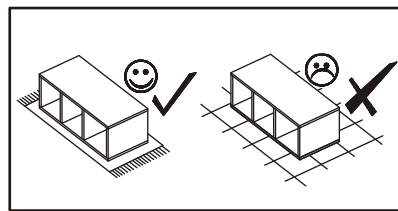
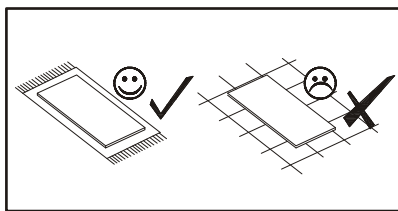
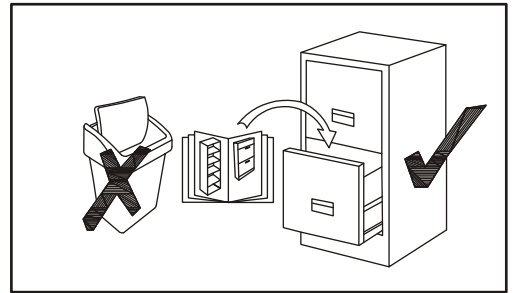
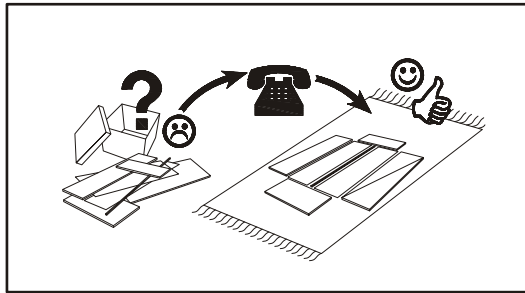
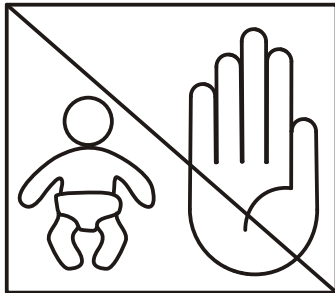
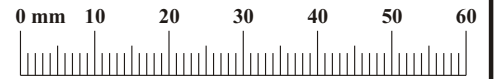


NO	Dim.			Col-No	Qty
1	1200	330	16	3	1
2	1200	330	16	3	1
3	168	330	16	3	1
4	168	330	16	3	1
5	168	310	16	3	1
6	1196	196	16	3	1
7	1178	180	3	3	1
8	300	120	16	3	2
9	300	120	16	3	2
10	535	106	16	3	2
11	304	547	3	3	2


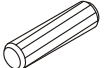
NO	Dim.			Col-No	Qty
1	1200	330	16	4	1
2	1200	330	16	4	1
3	168	330	16	4	1
4	168	330	16	4	1
5	168	310	16	4	1
6	1196	196	16	4	1
7	1178	180	3	4	1
8	300	120	16	4	2
9	300	120	16	4	2
10	535	106	16	4	2
11	304	547	3	4	2

REBEL 20_RB TYP-30

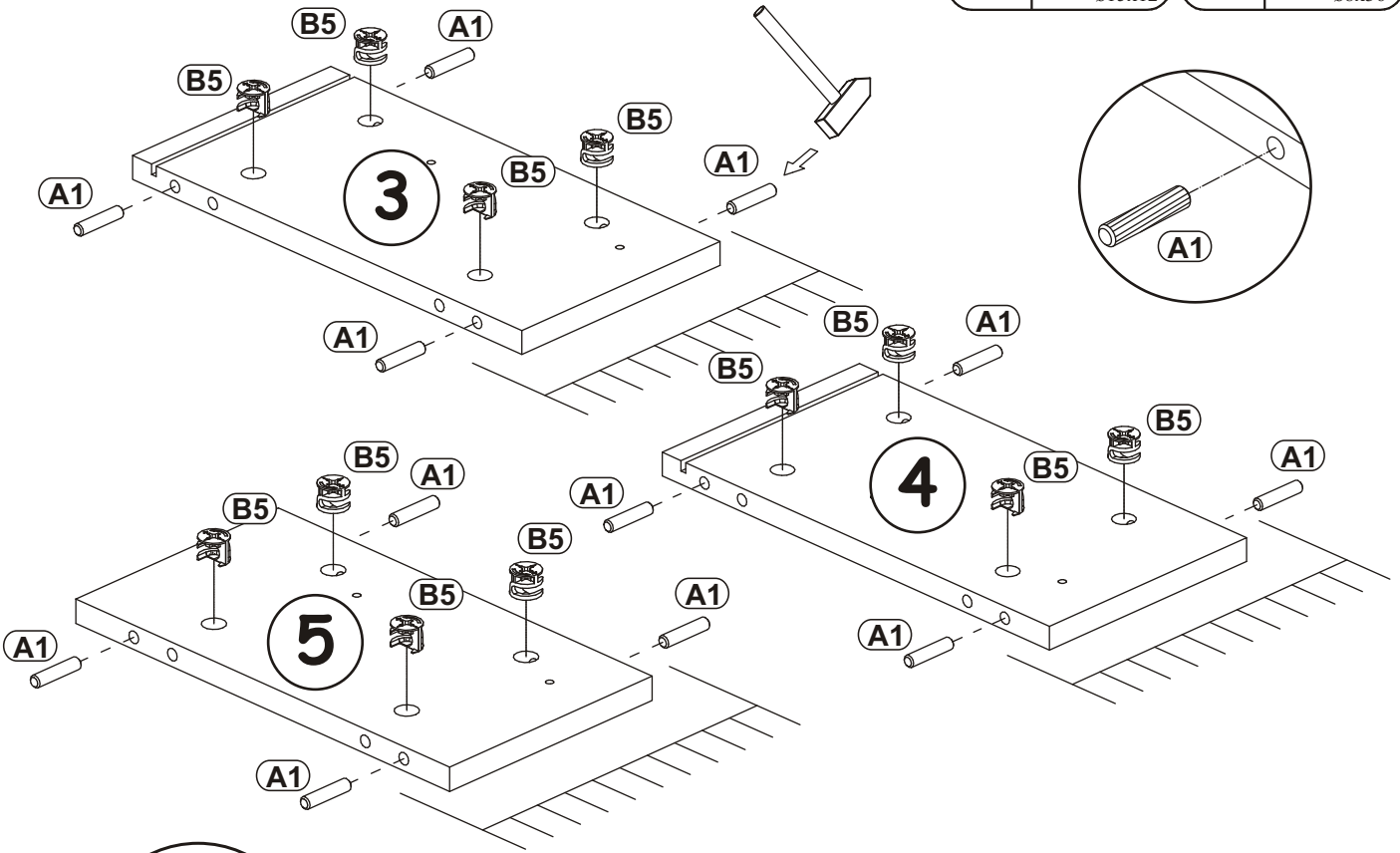
A1 x20  ø8x36	B4 x16 	B5 x16  ø15x12	G5 x16 	B11 x8  Ø7x50	G4 x8 
UP13 x11  UPØ3x16	S1 x14 	QU x2  L-300	D20 x8  ESØ6,3x9,5	D10 x10  USØ3,5x13	L1 x1 
KR1 x1 	G2 x1 	I11 x5  Ø45, h=15	UP11 x5  UPØ4x20		



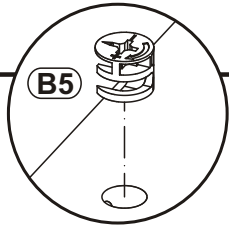
REBEL 20_RB TYP-30


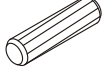
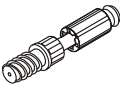
B5		A1	
x12	ø15x12	x12	ø8x36

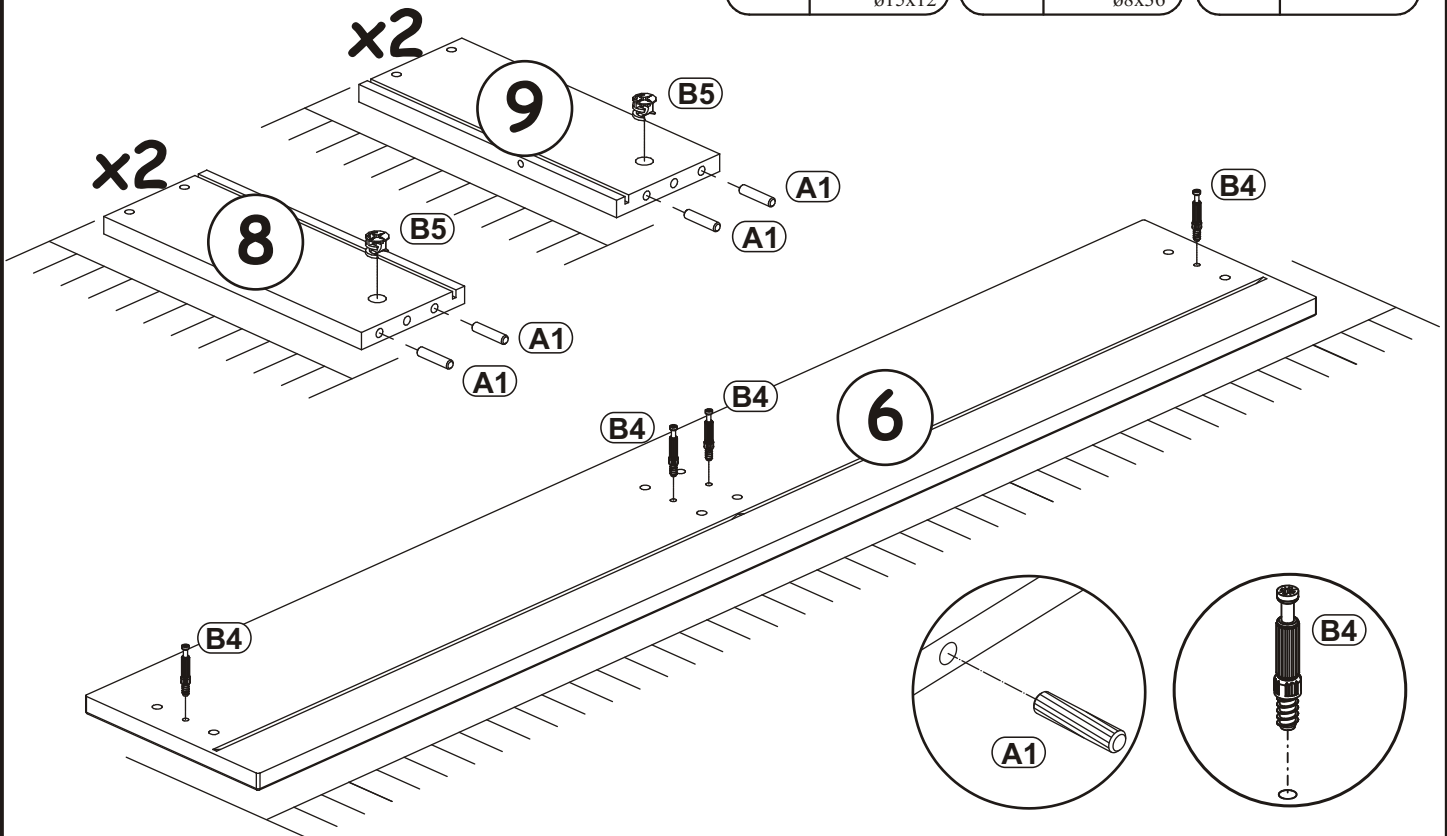
1



2




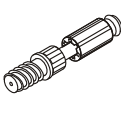
B5		A1		B4	
x4	ø15x12	x8	ø8x36	x4	




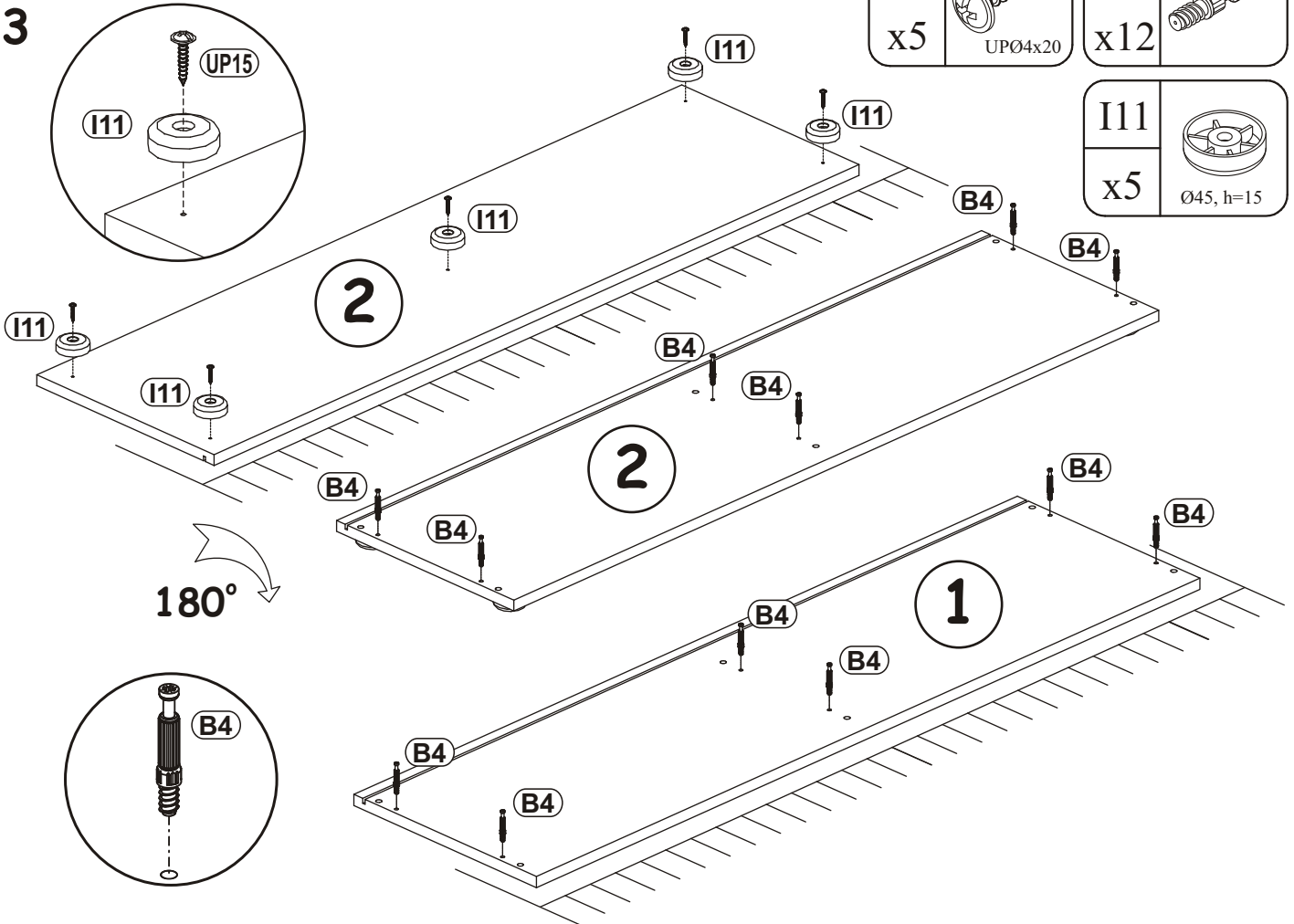
REBEL 20_RB TYP-30

3


UP11	
x5	UP04x20


B4	
x12	

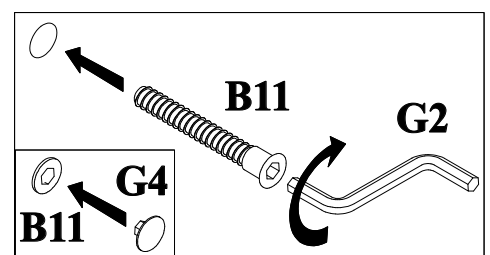
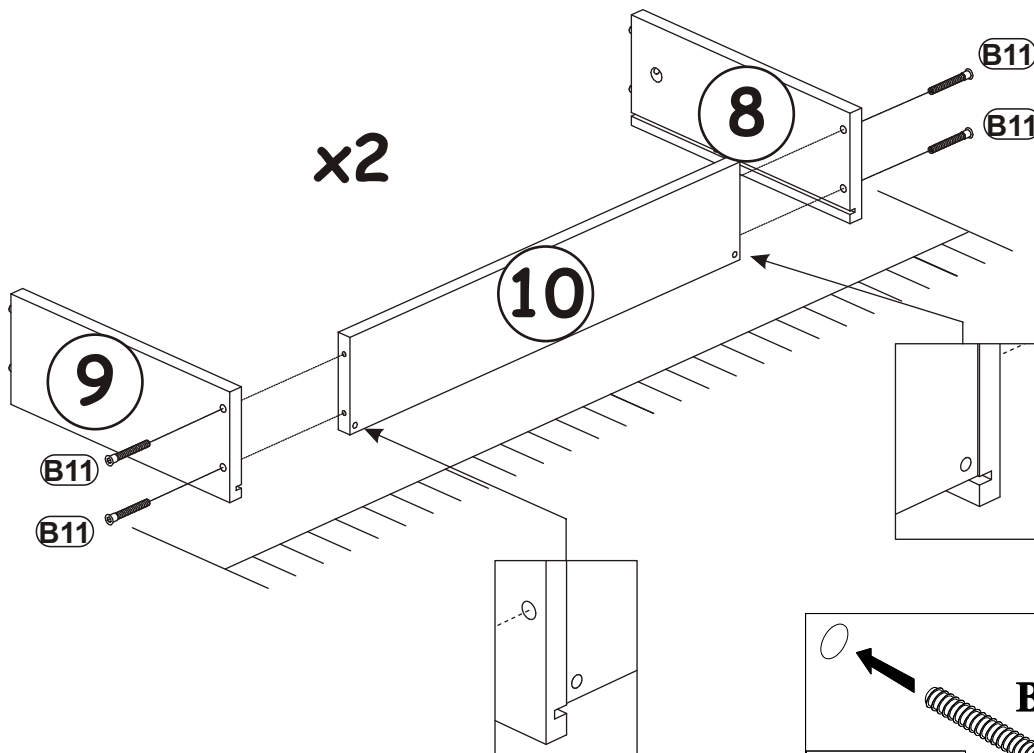
I11	
x5	Ø45, h=15



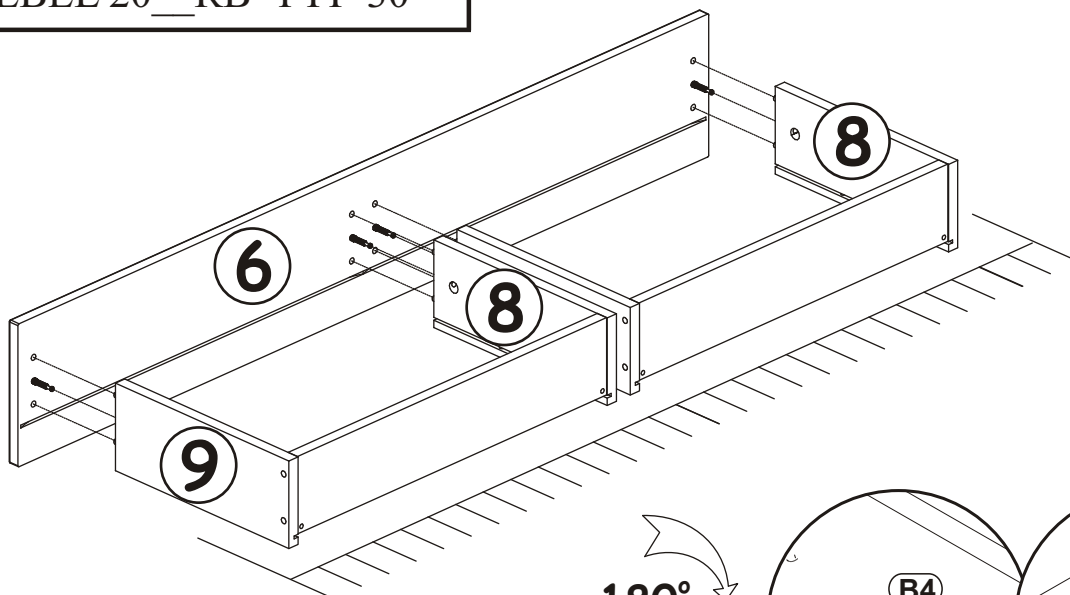
4

B11	
x8	Ø7x50

G4	
x8	



5

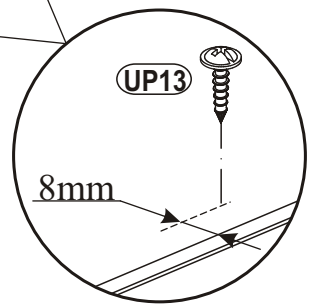
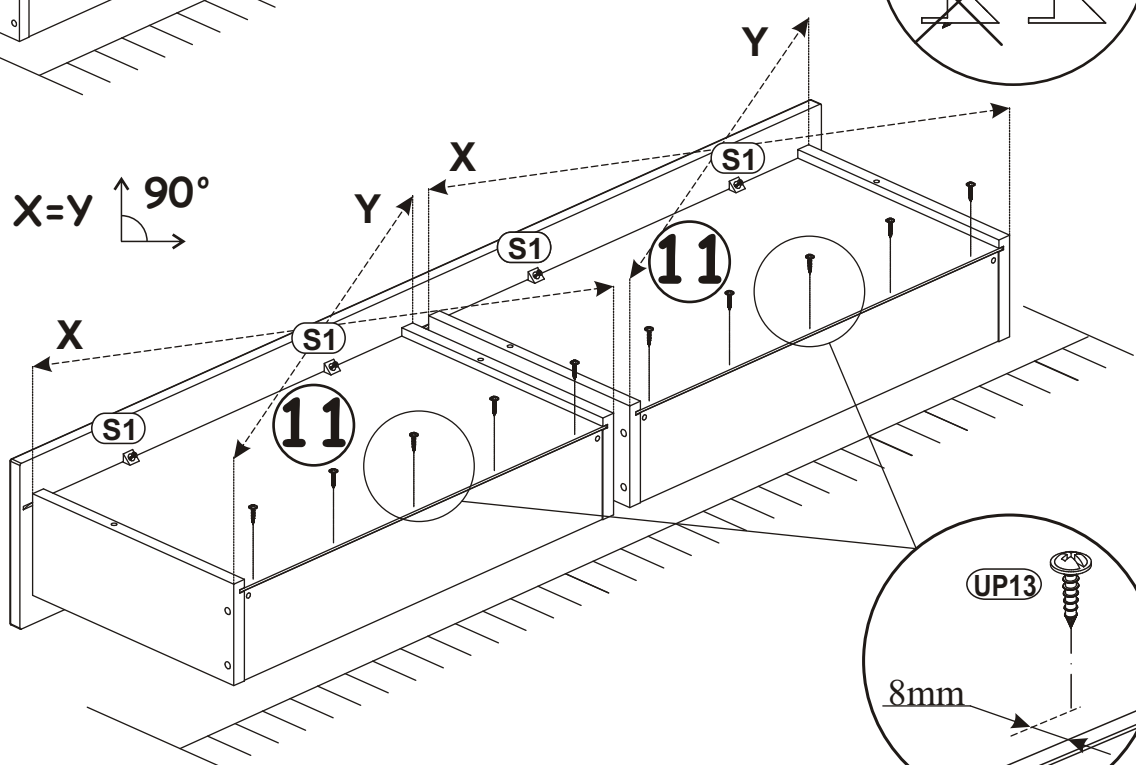
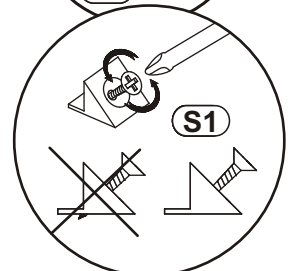
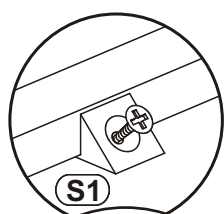
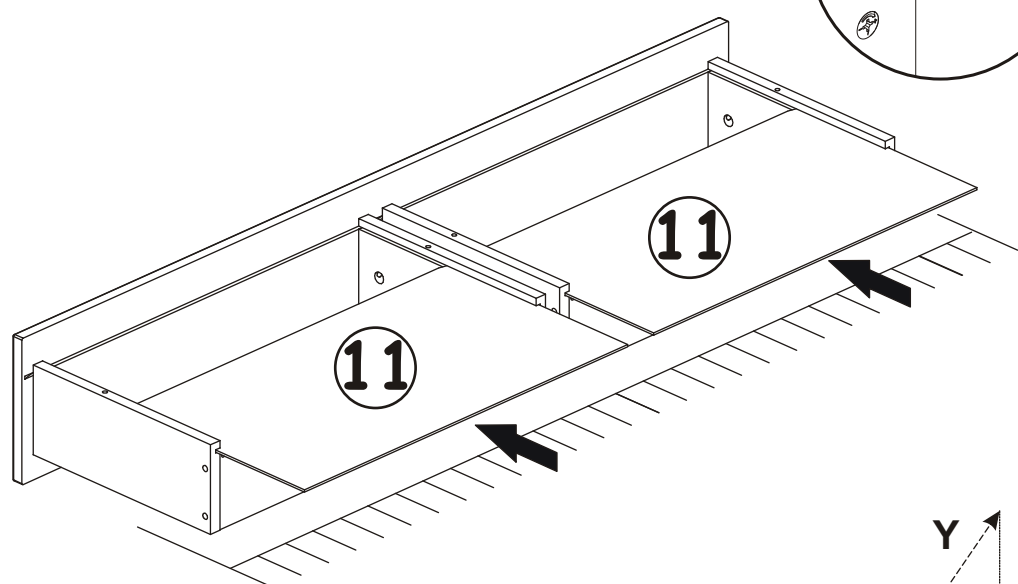
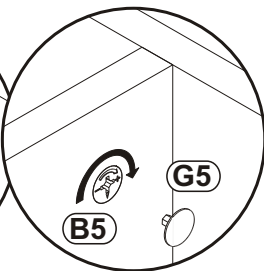
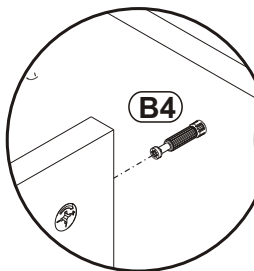



G5	
x4	

UP13	
x10	UPØ3x16

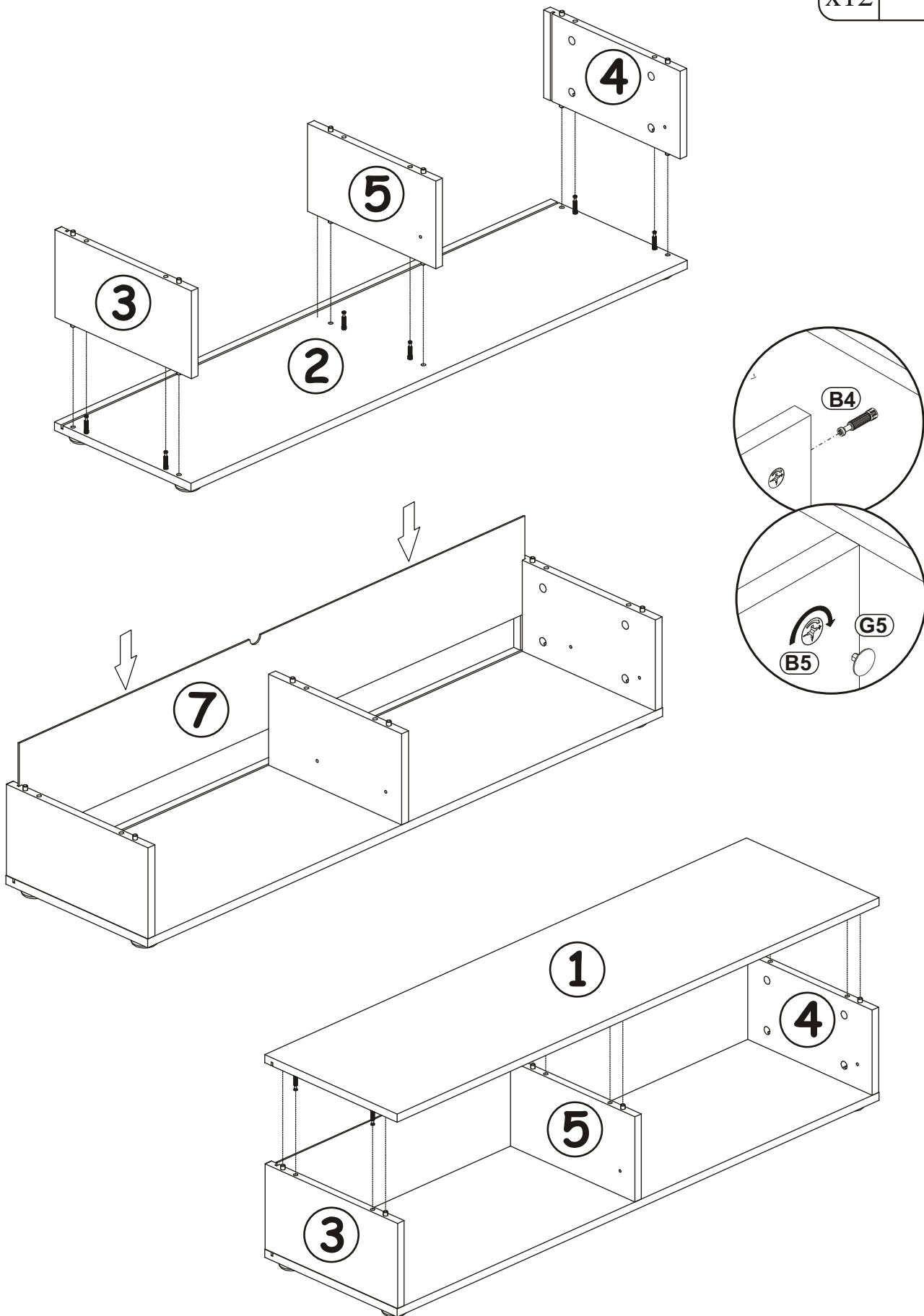
S1	
x4	

180°

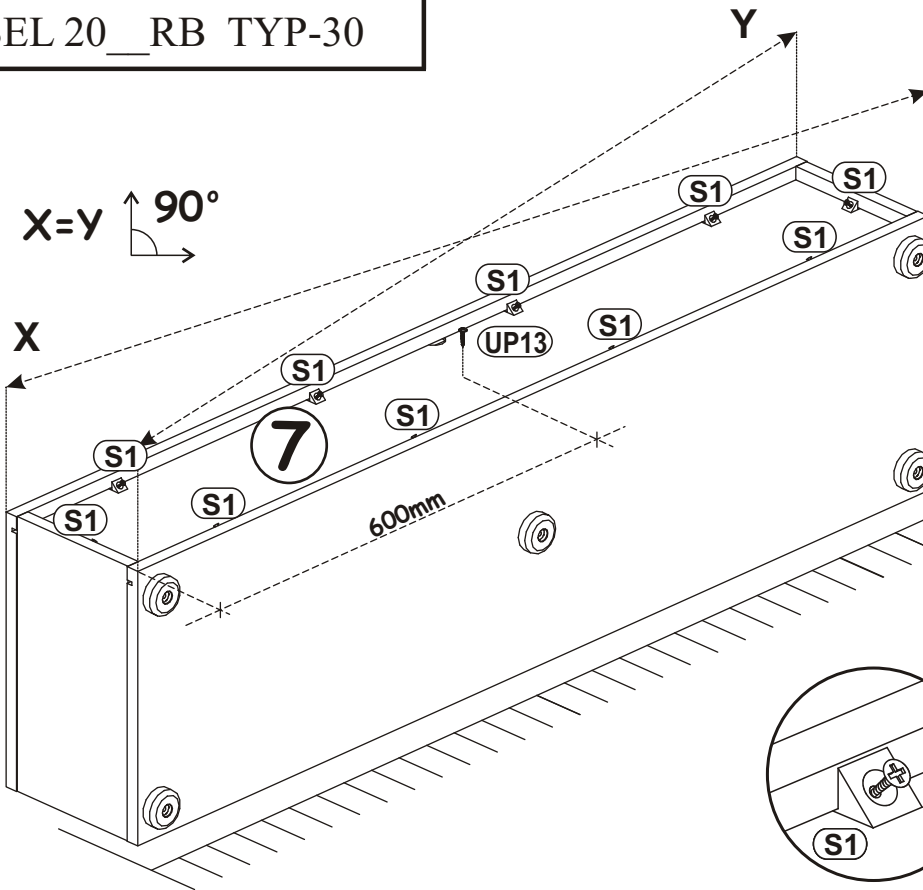


G5	
x12	

6

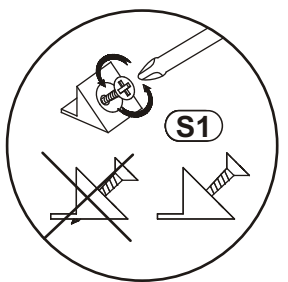
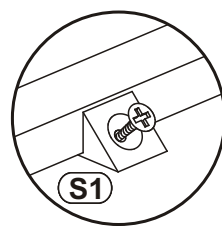
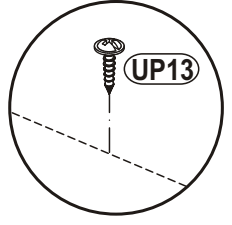


7



UP13	
x1	UPØ3x16

S1	
x10	

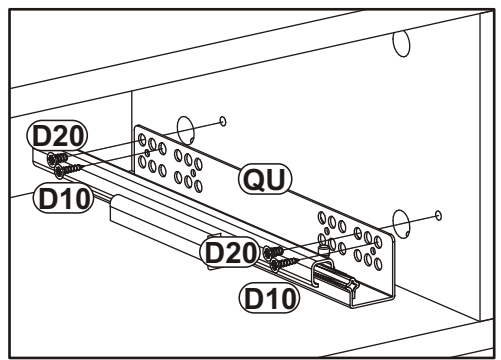
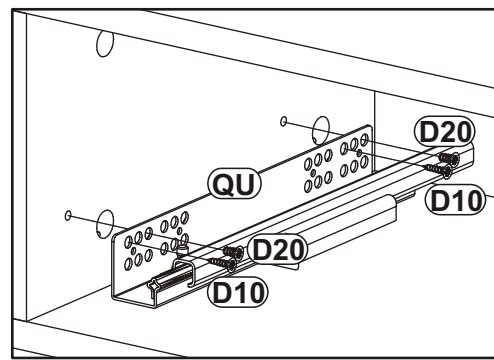
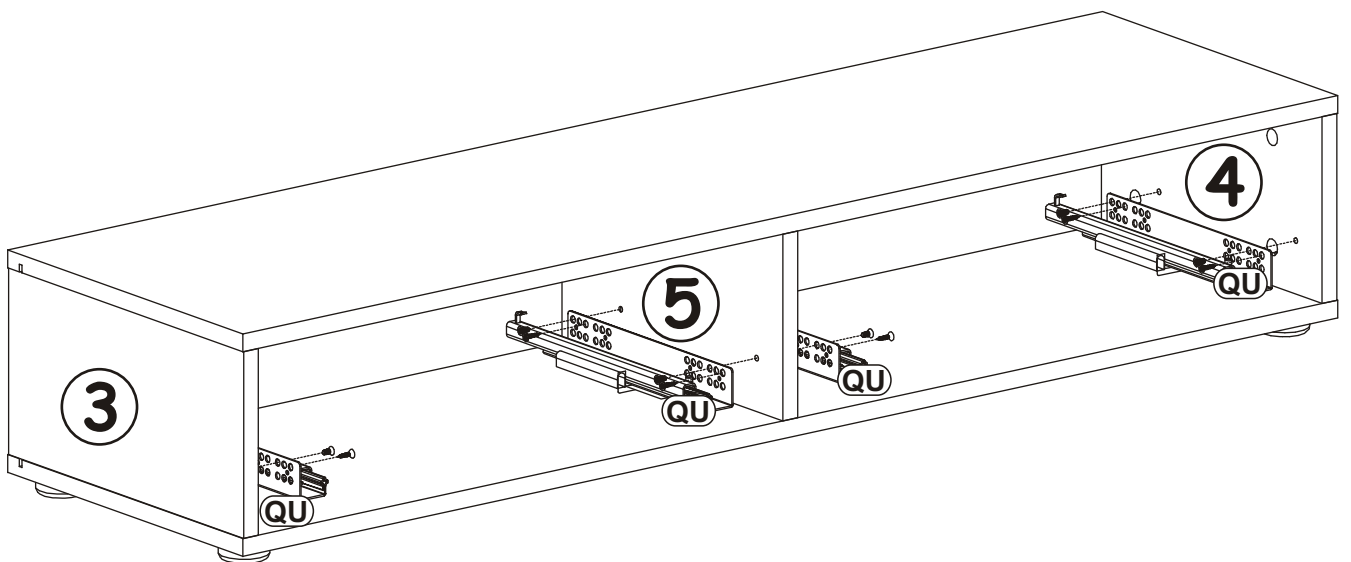



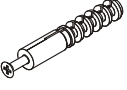
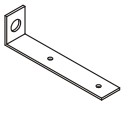
8

QU	
x2	L-300

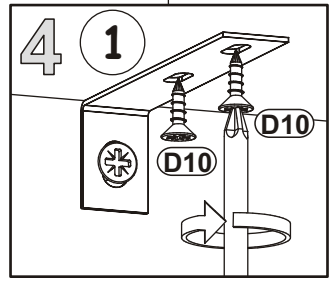
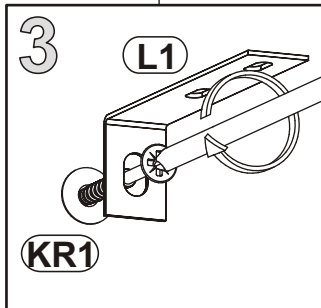
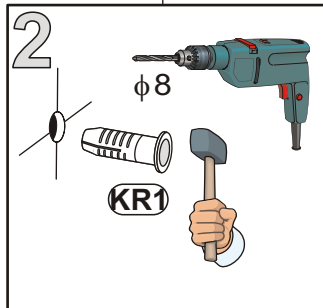
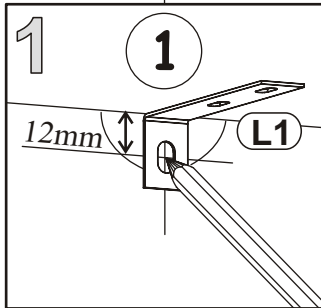
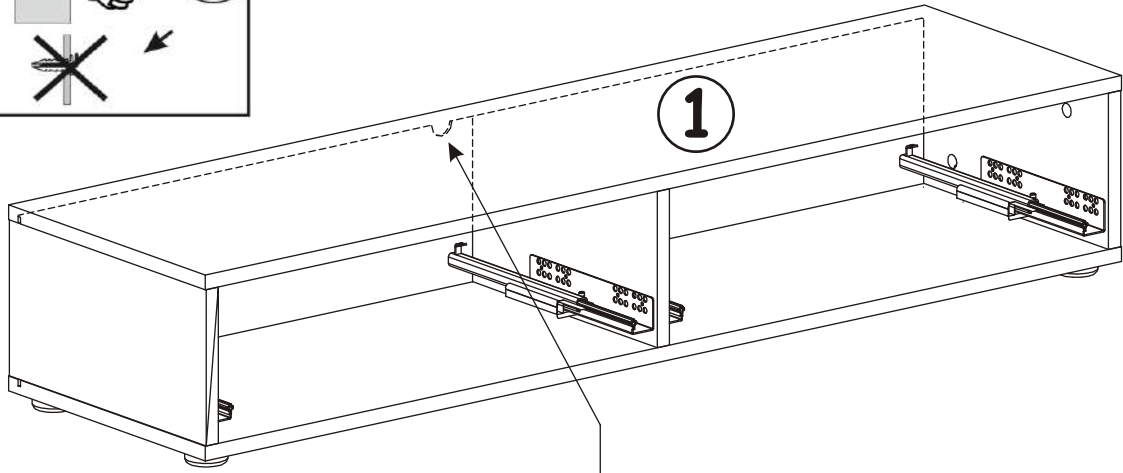
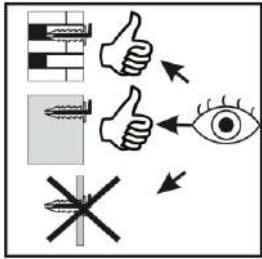
D20	
x8	ESØ6,3x9,5

D10	
x8	USØ3,5x13

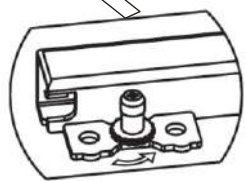
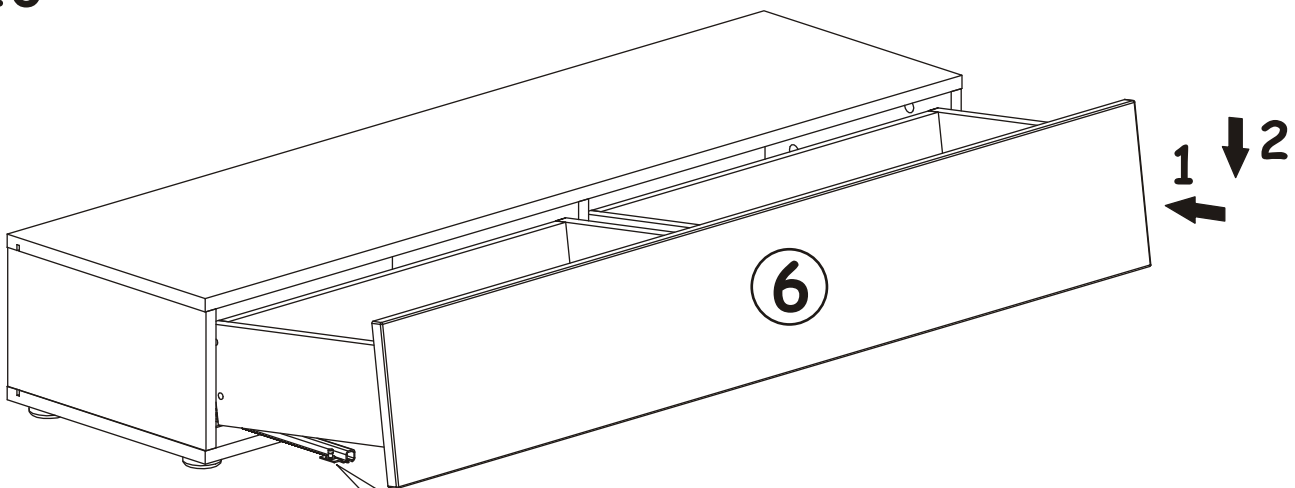


D10		KR1		L1	
x2	USØ3,5x13	x1		x1	

9



10



↑+4 mm

