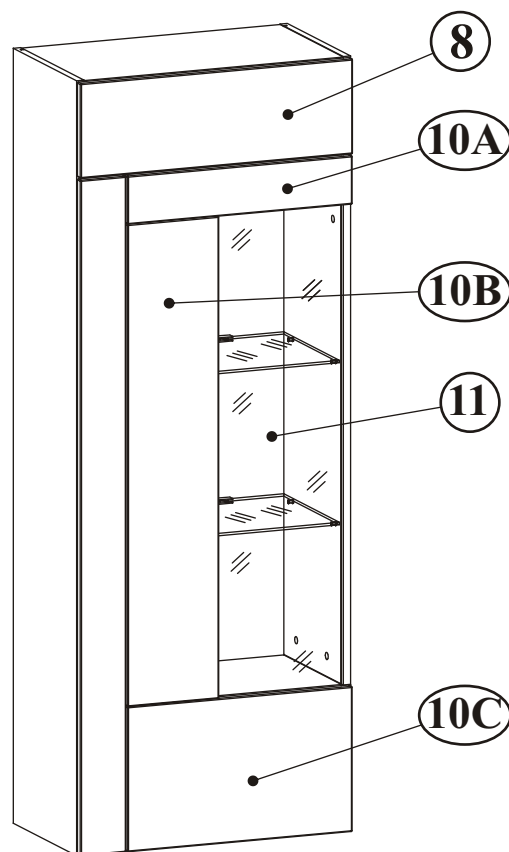
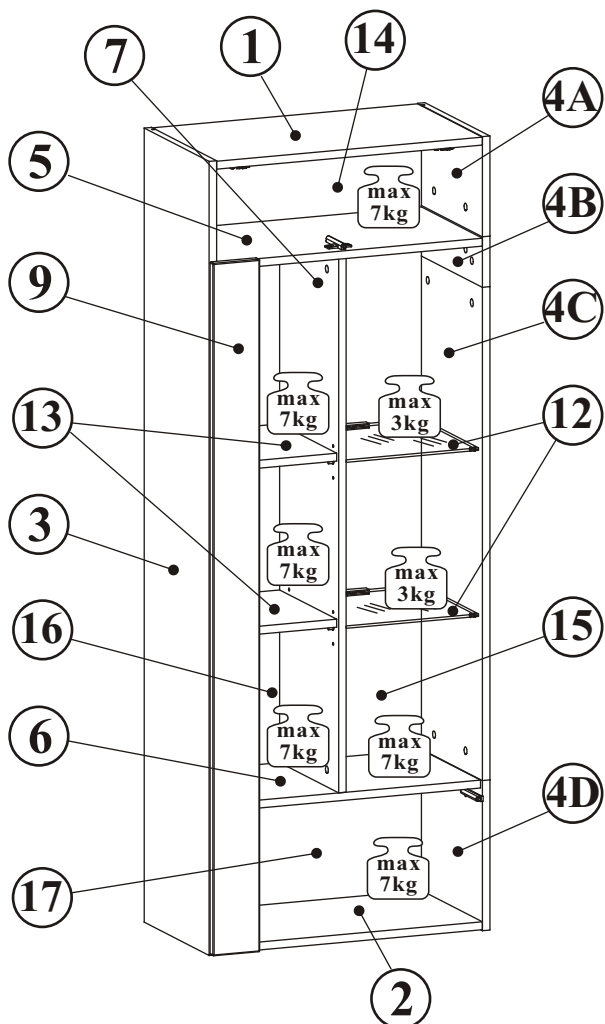
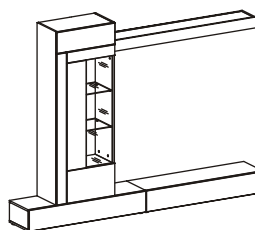
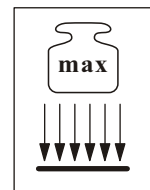
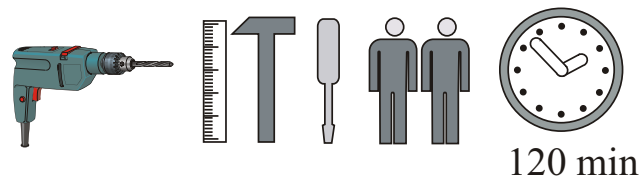


REBEL 20_RB TYP 10



NO	Dim.			Col-No	Qty
1	568	330	16	1	1
2	568	330	16	1	1
4A	202	330	16	1	1
4B	102	330	16	1	1
4D	303	330	16	1	1
5	568	310	16	1	1
6	568	300	16	1	1
8	596	196	16	1	1
10A	492	100	16	1	1
10C	492	300	16	1	1
12	286	290	5	1	2
13	265	290	16	1	2
14	580	202	3	1	1
17	580	282	3	1	1

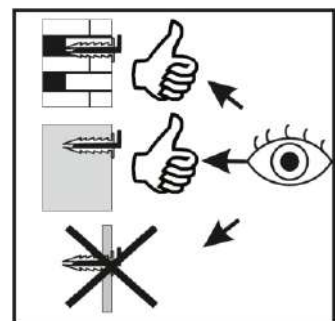
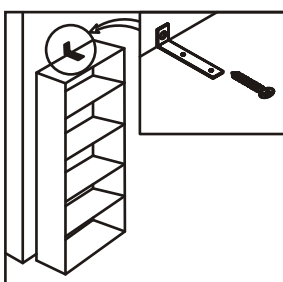
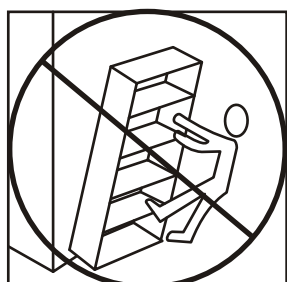
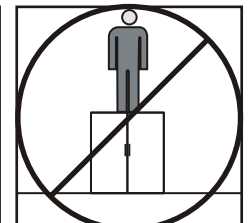
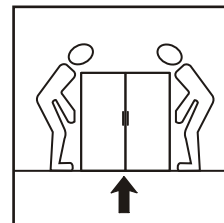
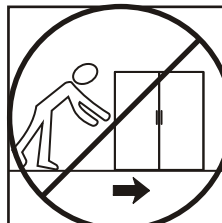
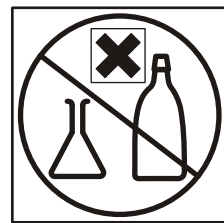
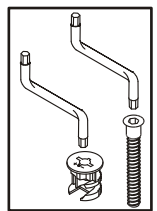
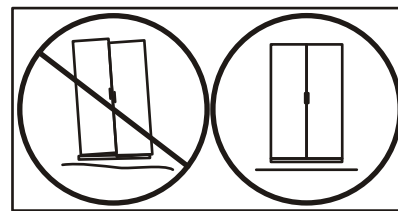
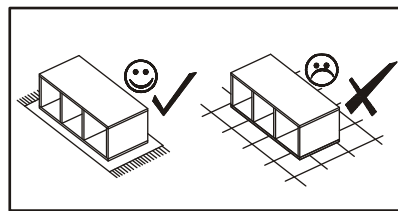
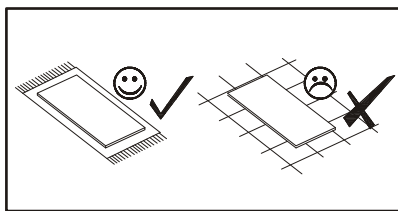
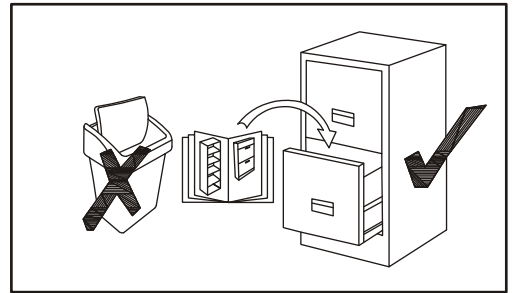
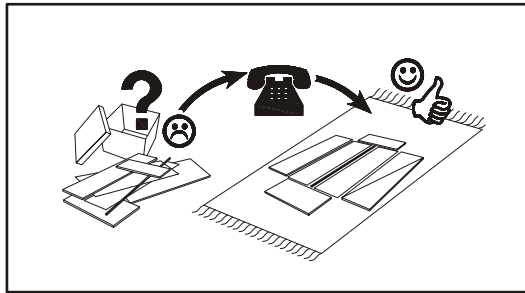
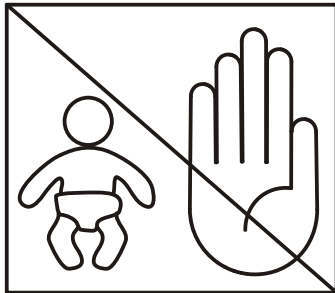
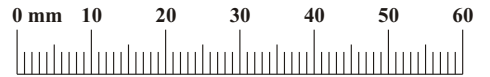


120 min

NO	Dim.			Col-No	Qty
3	1602	330	16	2	1
4C	995	330	16	2	1
7	1079	300	16	2	1
9	1397	100	16	2	1
10B	997	200	16	2	1
11	1047	300	4	2	1
15	1095	301	3	2	1
16	1095	279	3	2	1

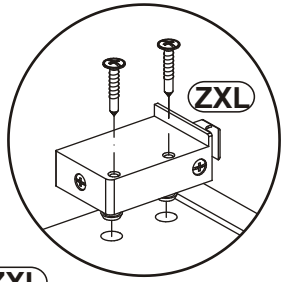
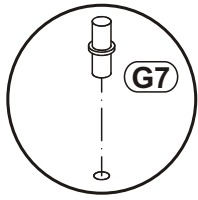
REBEL 20_RB TYP-10

A1 x27 ø8x36	B4 x27	B5 x47 ø15x12	G5 x47	A6 x11 ø8x80	D10 x18 USØ3,5x13
UP13 x25 UPØ3x16	S1 x16	G16 x18	ZXL x1	ZXP x1	P2 x7
G20 x8	G7 x8	E21 x2 Ø35 H=0	E2 x5 H=0	E13 x3 Ø35	LED x1 x2
B6 x10 Ø7x76	T1 x1	SFD x1	T3 x1	KR3 x2 Ø8	G2 x1

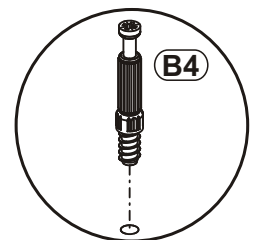
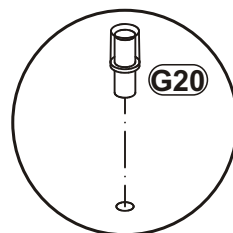
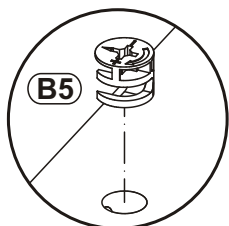
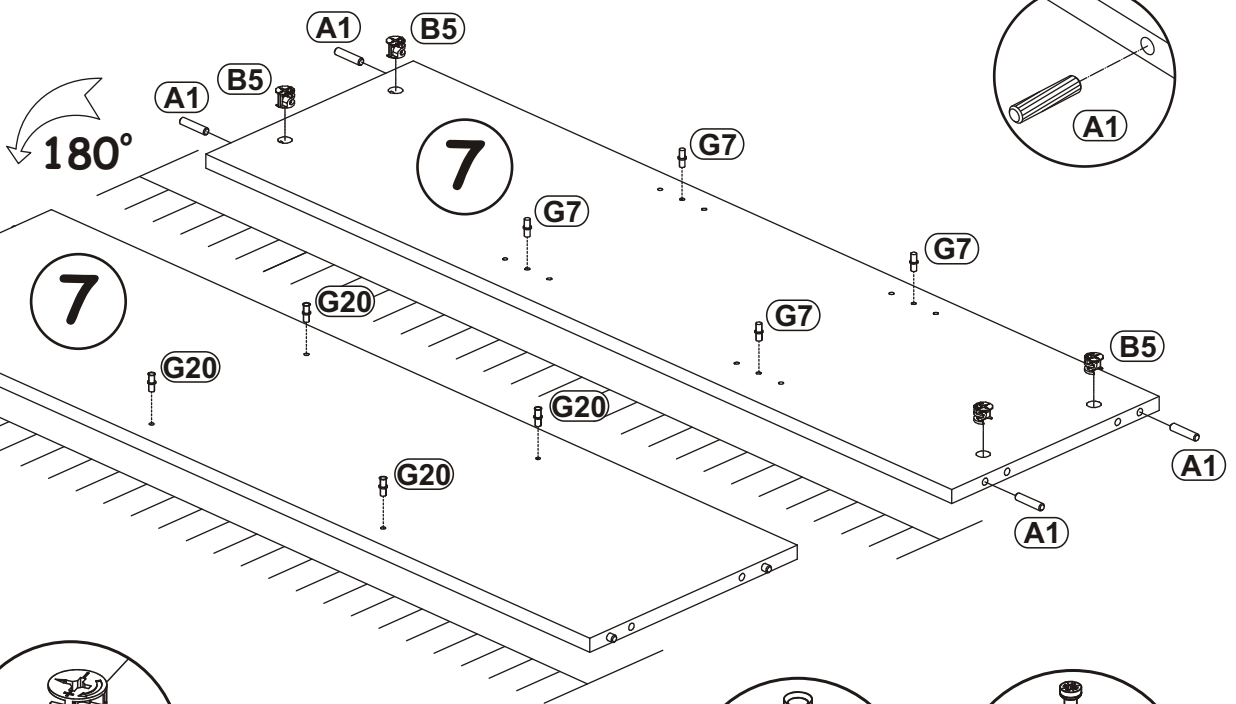
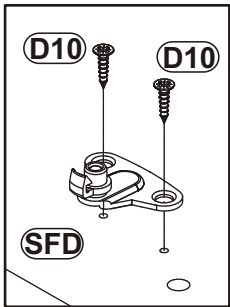
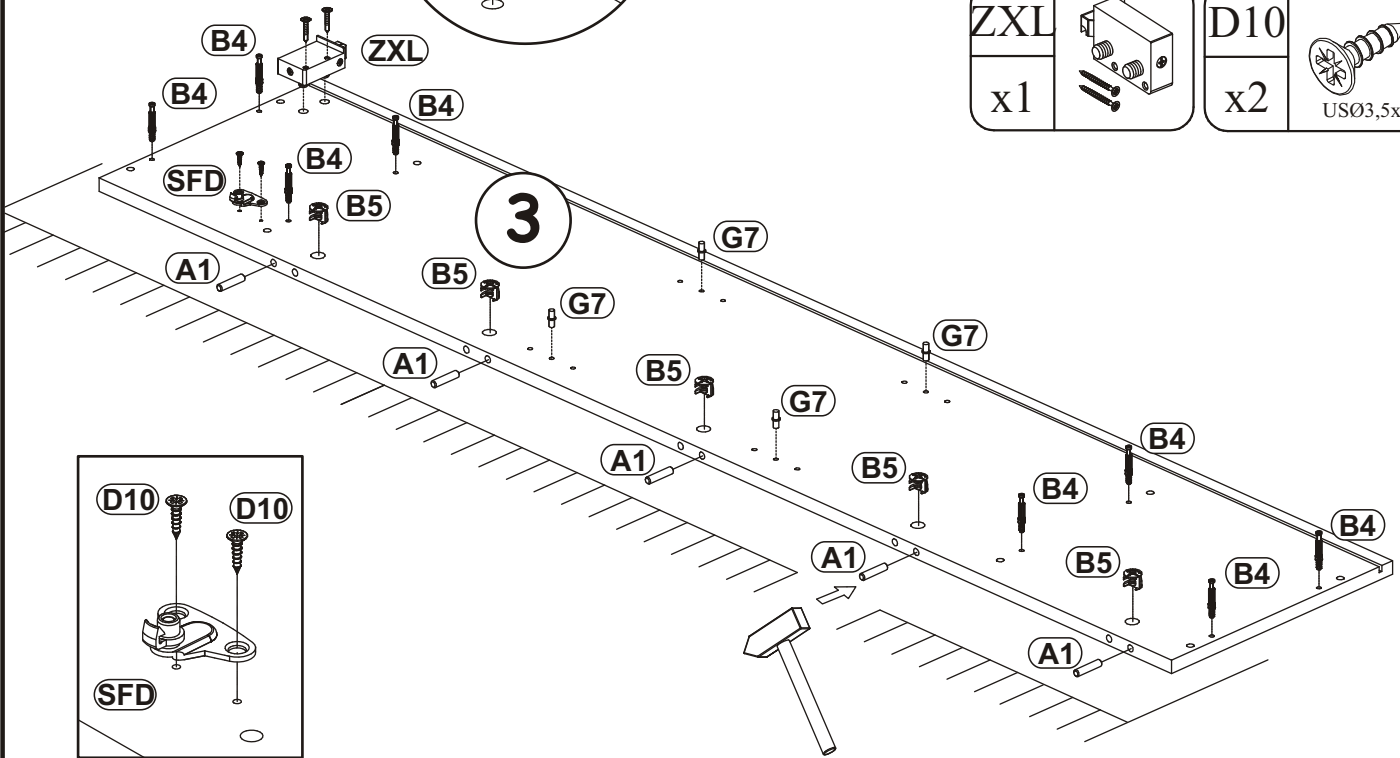


REBEL 20_RB TYP-10

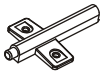

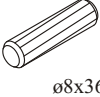

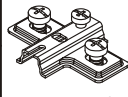
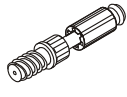
1



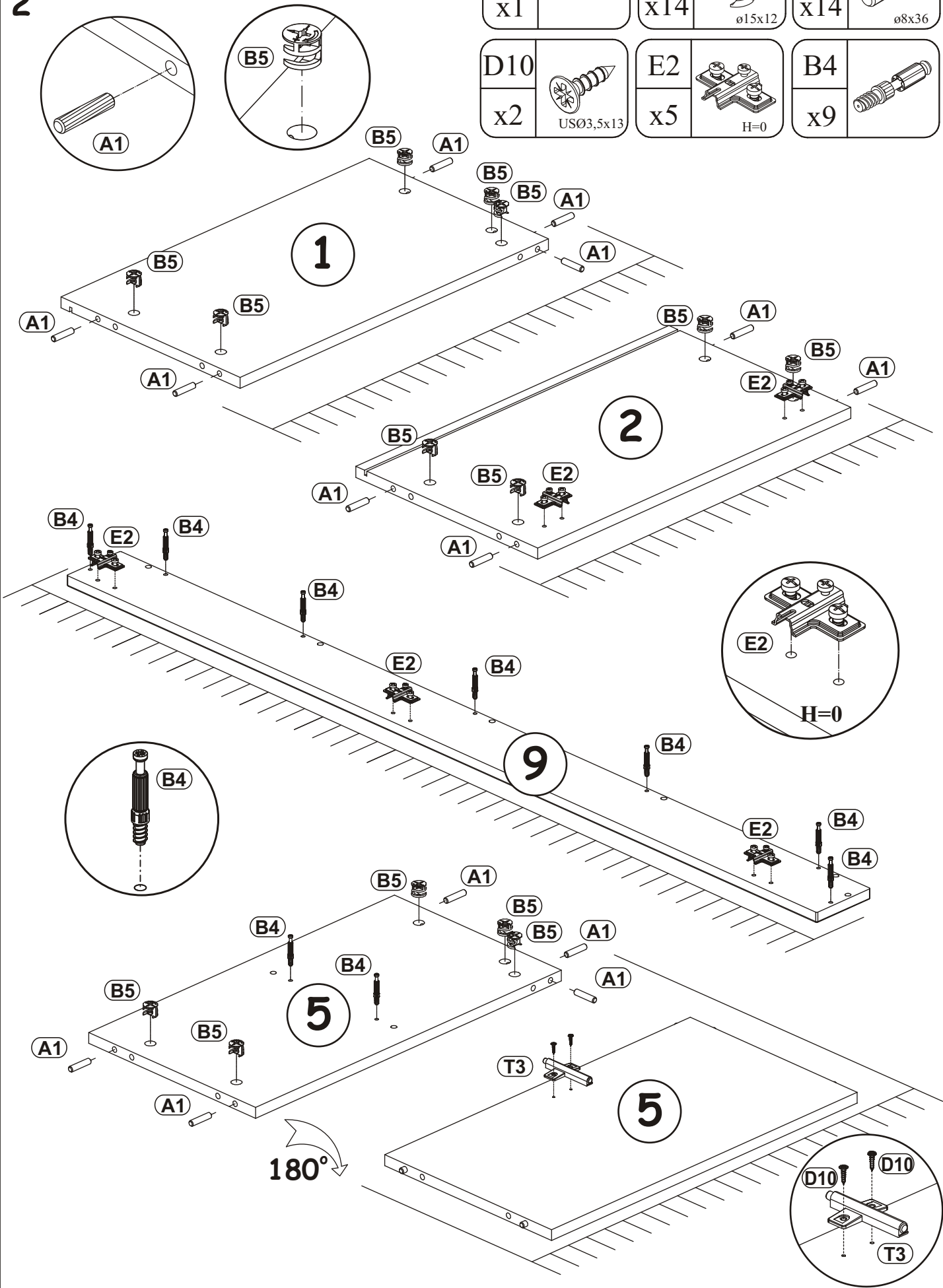
B4 x8		B5 x9		A1 x9	
SFD x1		G20 x4		G7 x8	
ZXL x1		D10 x2		USØ3,5x13	



REBEL 20_RB TYP-10

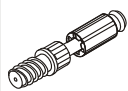

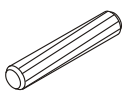
T3 x1		B5 x14	 ø15x12	A1 x14	 ø8x36
D10 x2	 USØ3,5x13	E2 x5	 H=0	B4 x9	

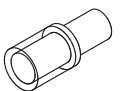
2

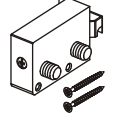


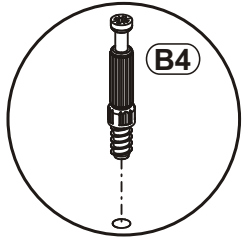
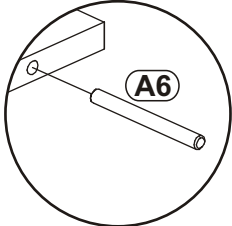
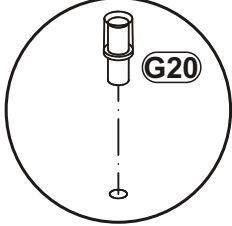
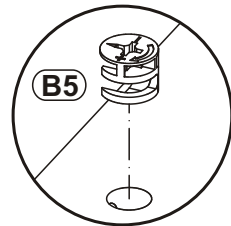
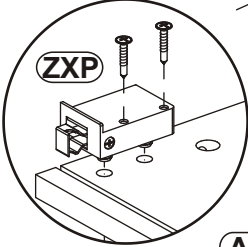
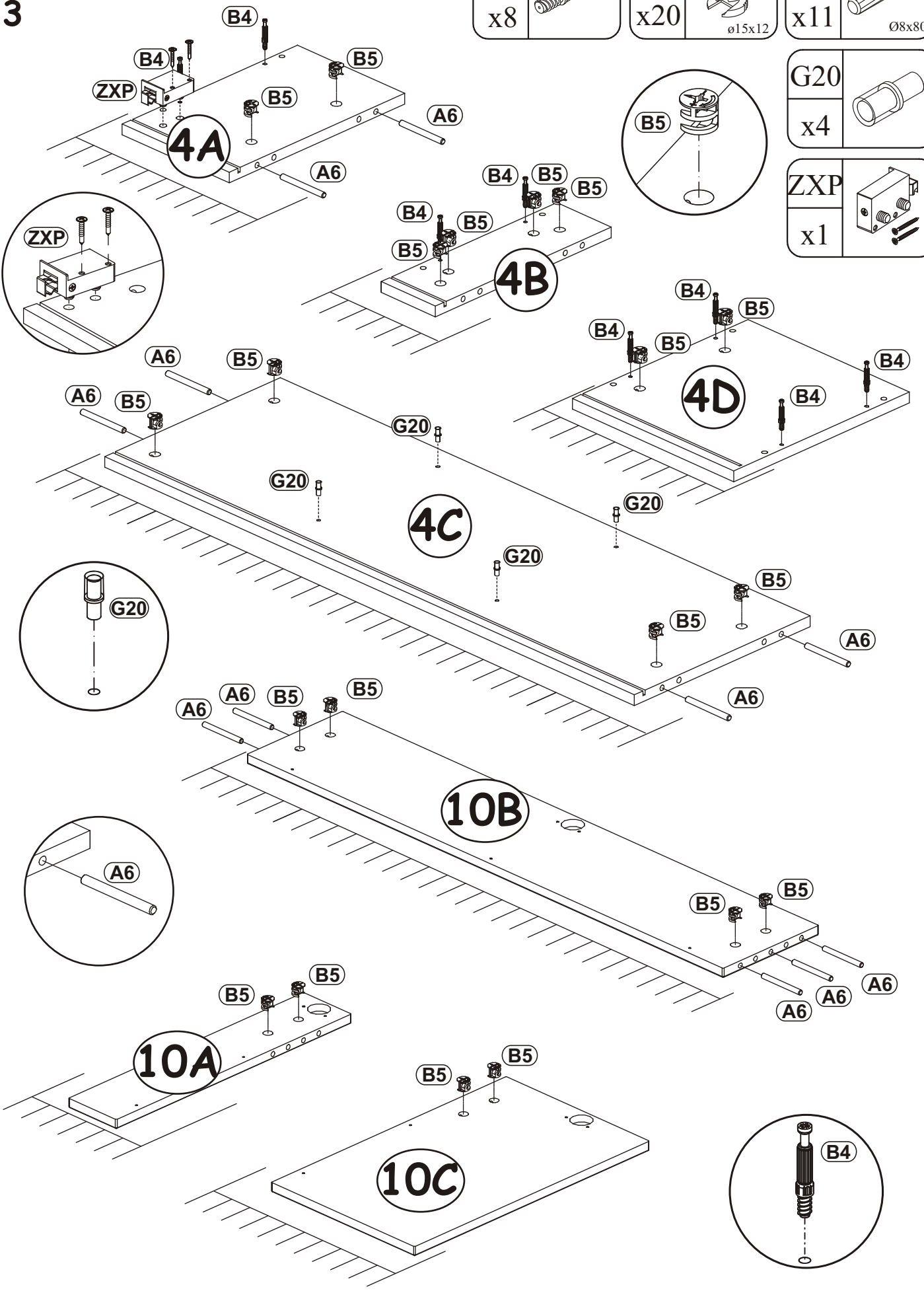
REBEL 20_RB TYP-10

3

B4 x8		B5 x20		A6 x11	
		ø15x12		Ø8x80	

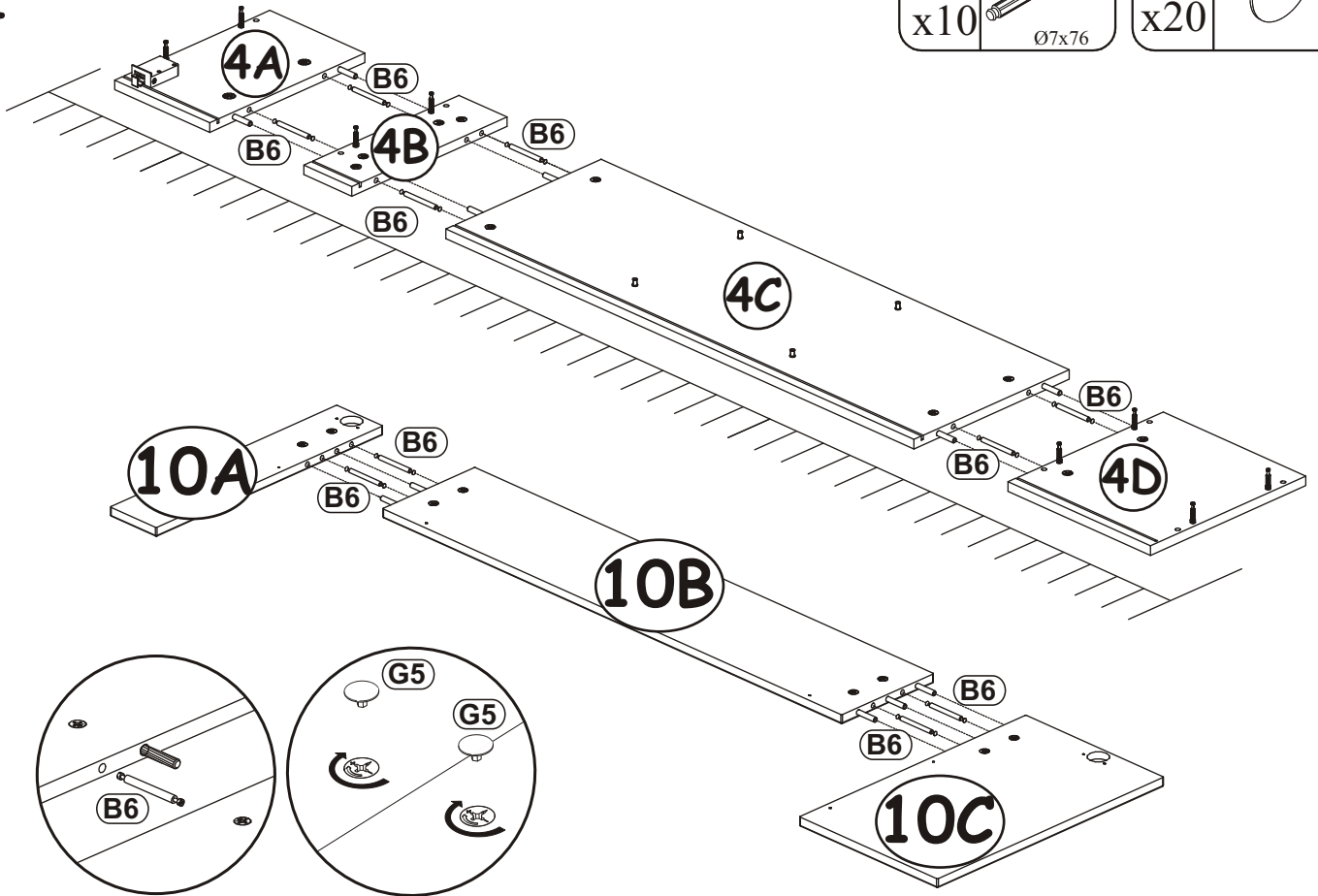
G20 x4	
-----------	---

ZXP x1	
-----------	---

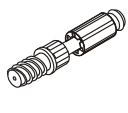

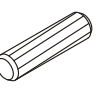


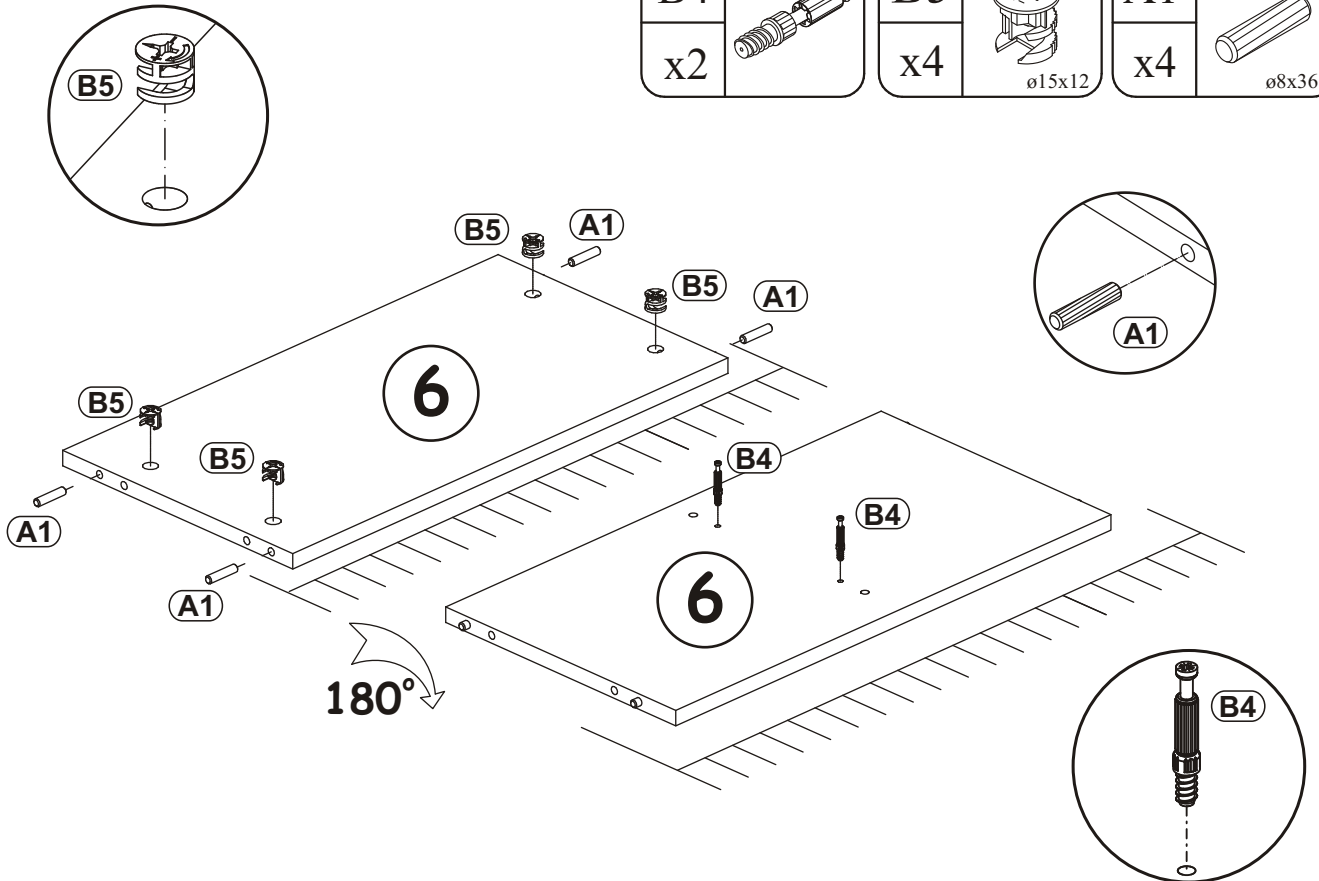
4

B6		G5	
x10	Ø7x76	x20	



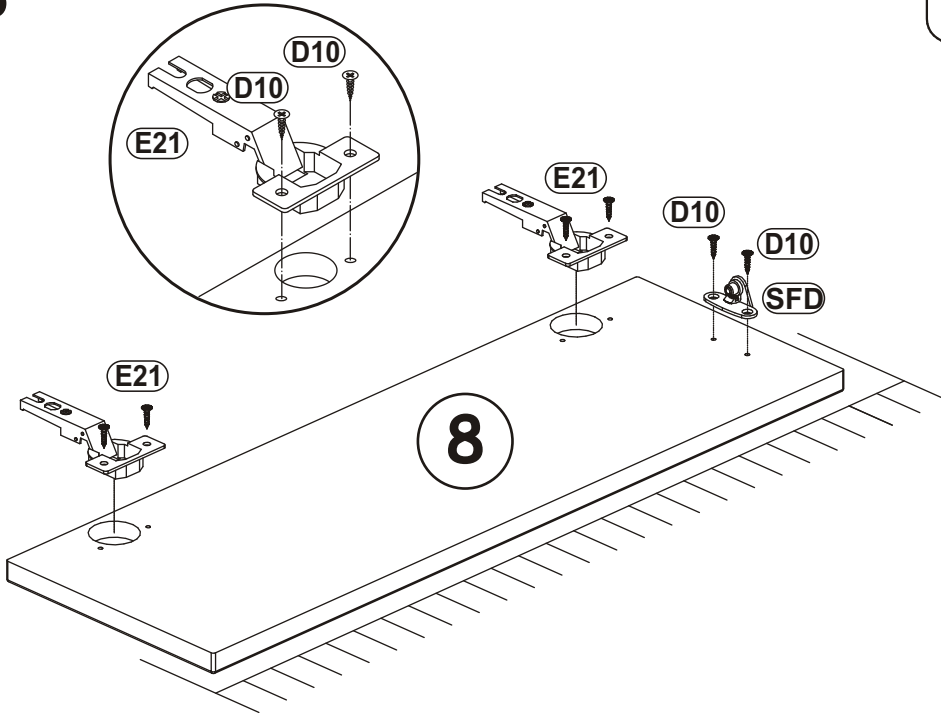
5

B4		B5		A1	
x2		x4	Ø15x12	x4	Ø8x36

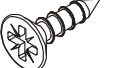




REBEL 20_RB TYP-10

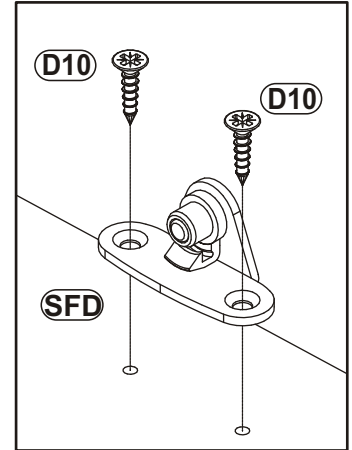
6



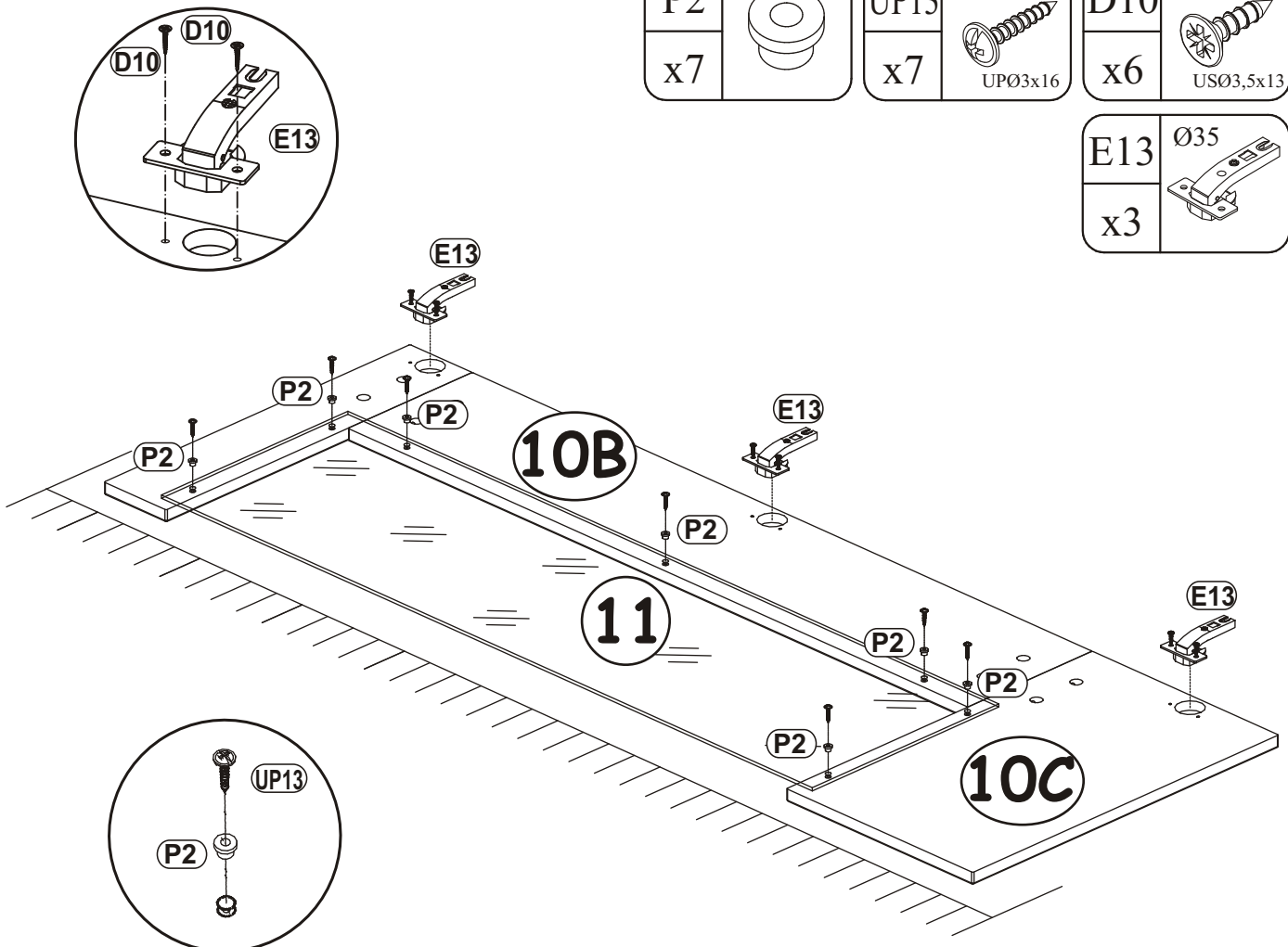
E21	Ø35
x2	H=0


D10	
x6	USØ3,5x13


SFD	
x1	

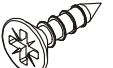


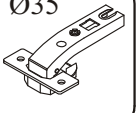
7

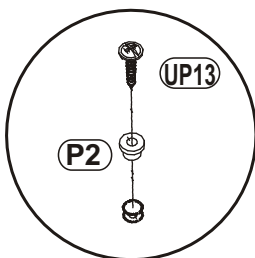


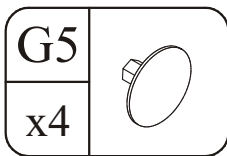
P2	
x7	

UP13	
x7	UPØ3x16

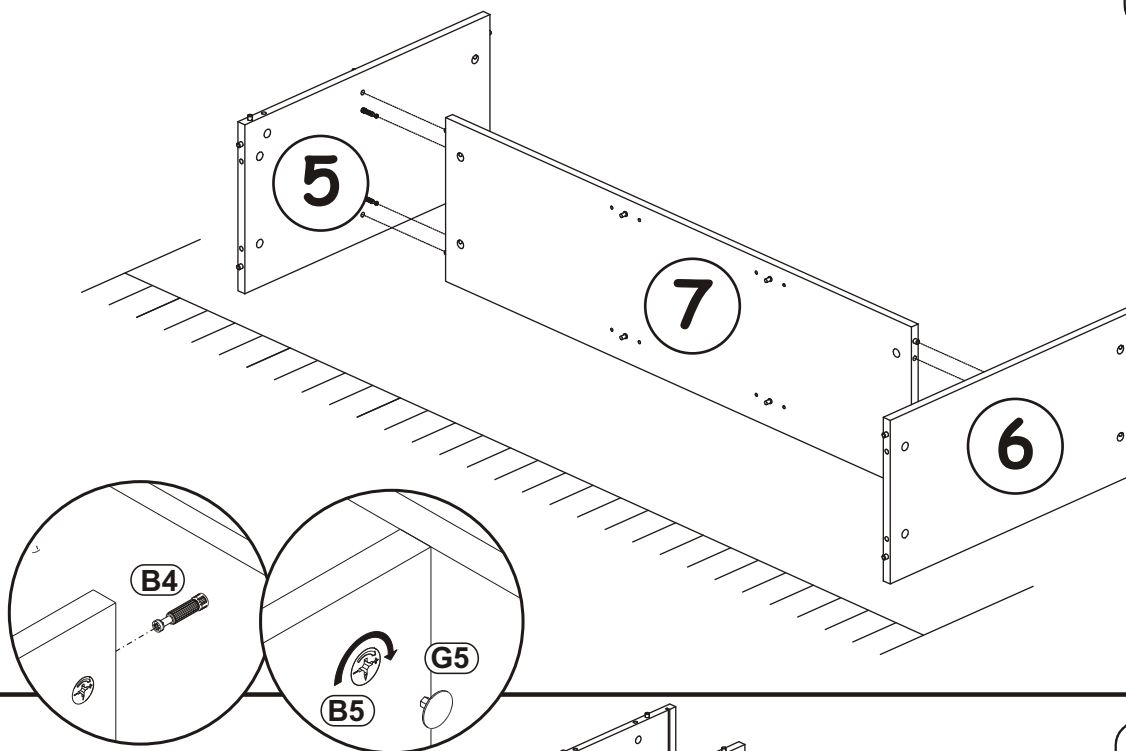
D10	
x6	USØ3,5x13

E13	Ø35
x3	

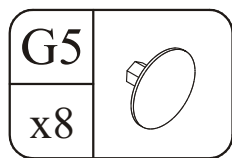
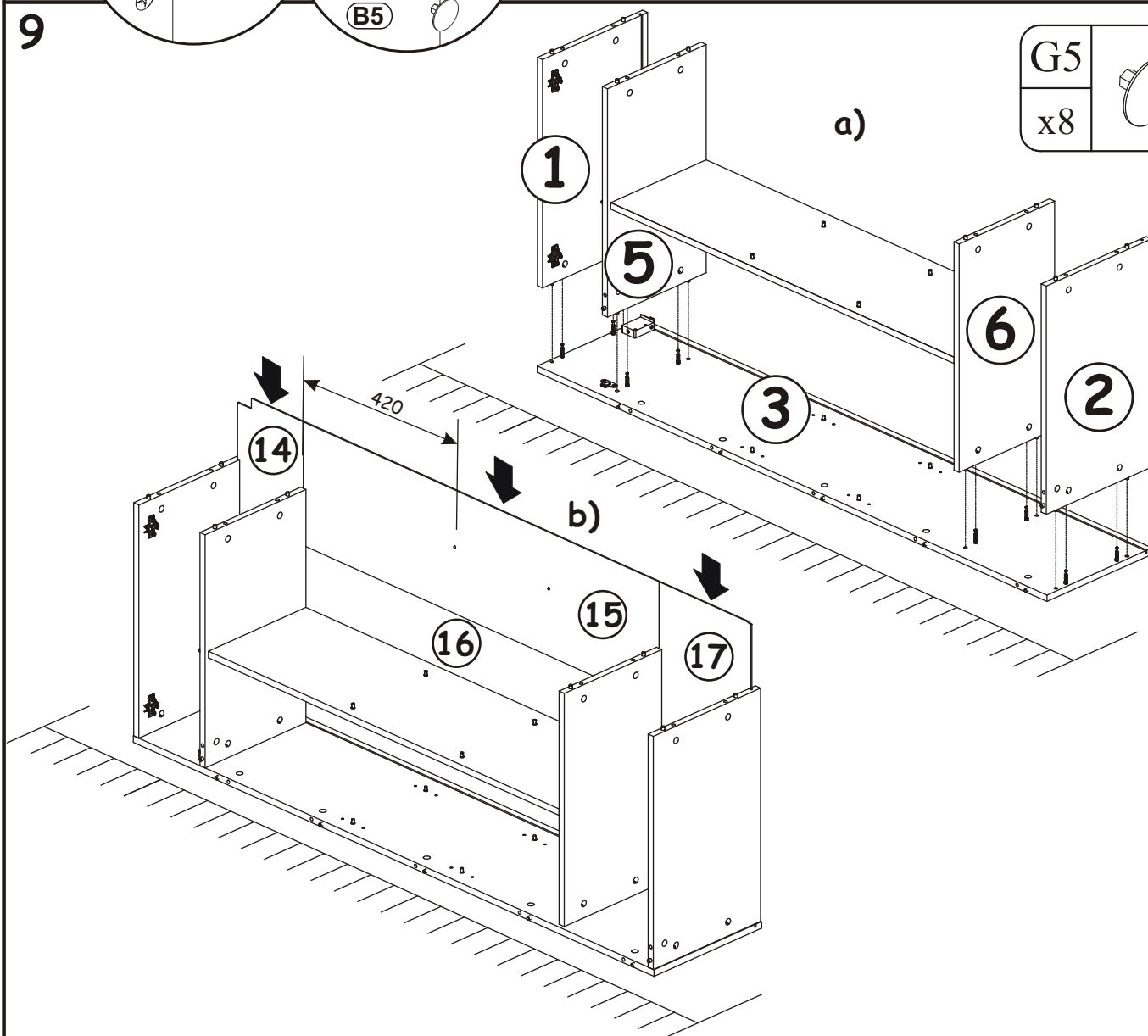





8

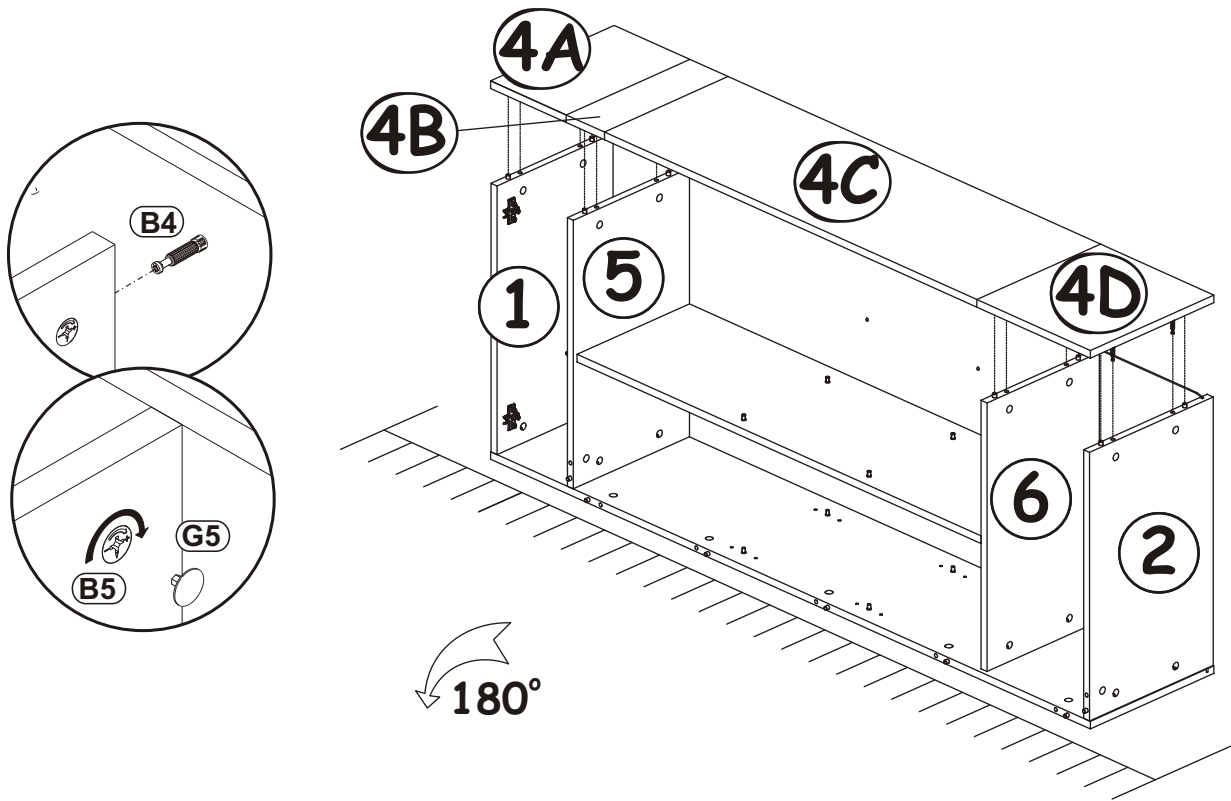


9

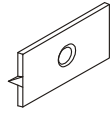



10

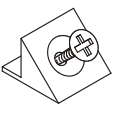
G5	
x8	

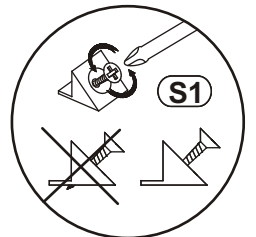
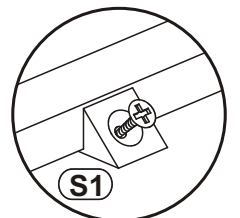
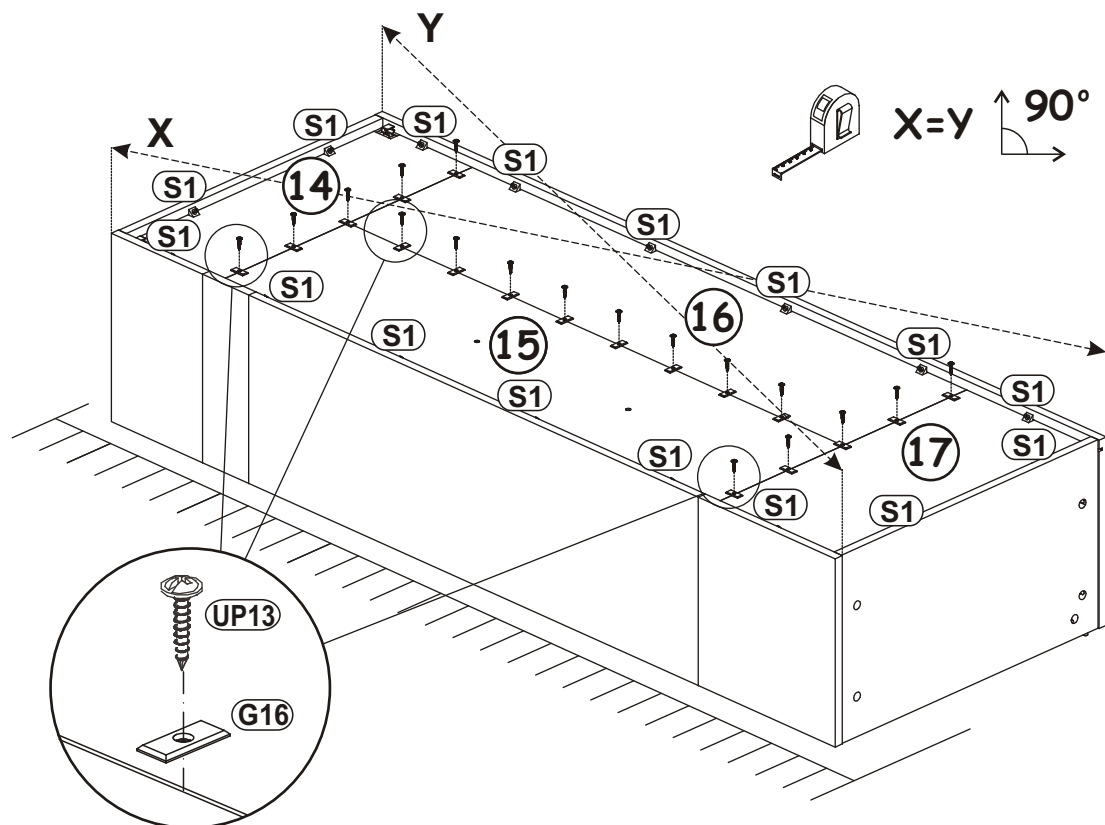


11

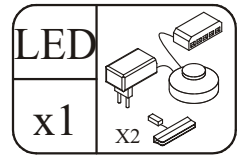
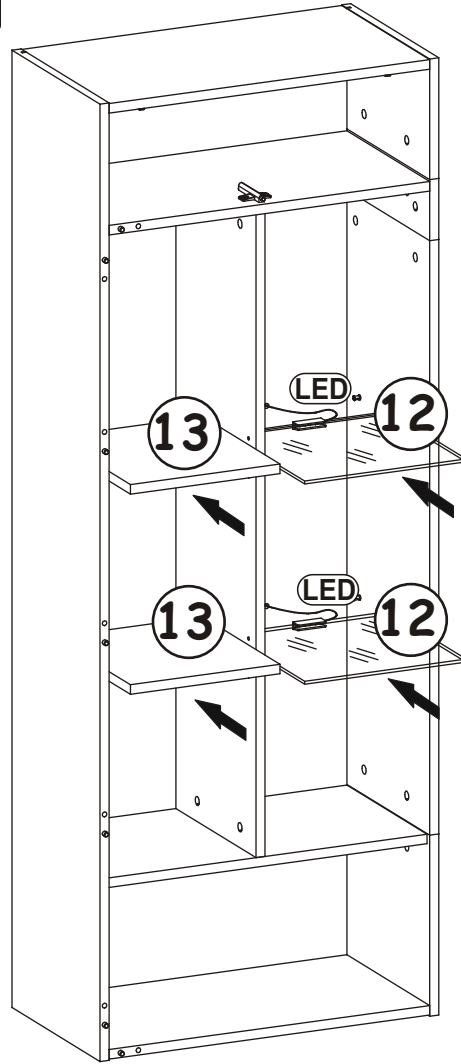
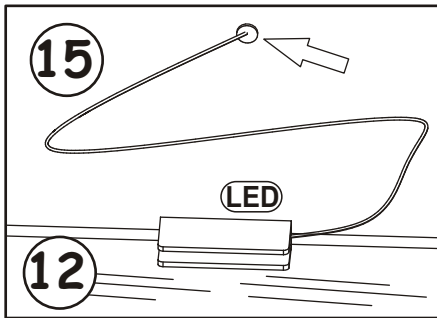
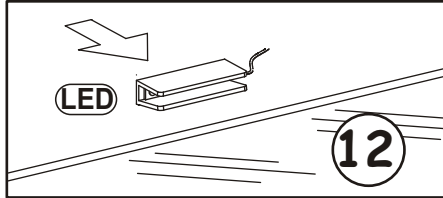
G16	
x18	

UP13	
x18	UP03x16

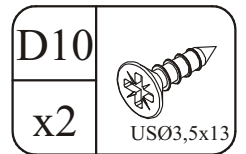
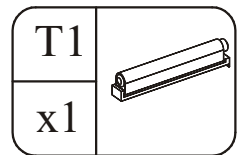
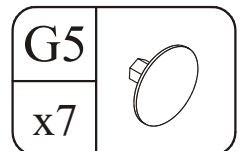
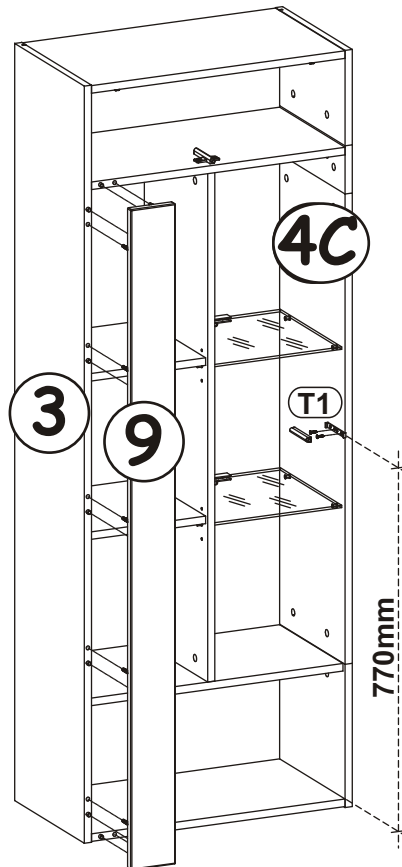
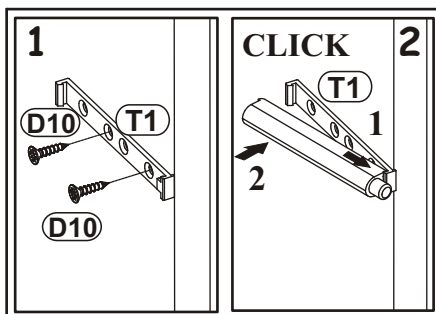
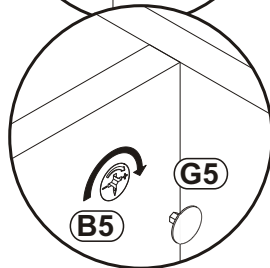
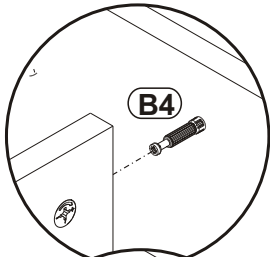
S1	
x16	



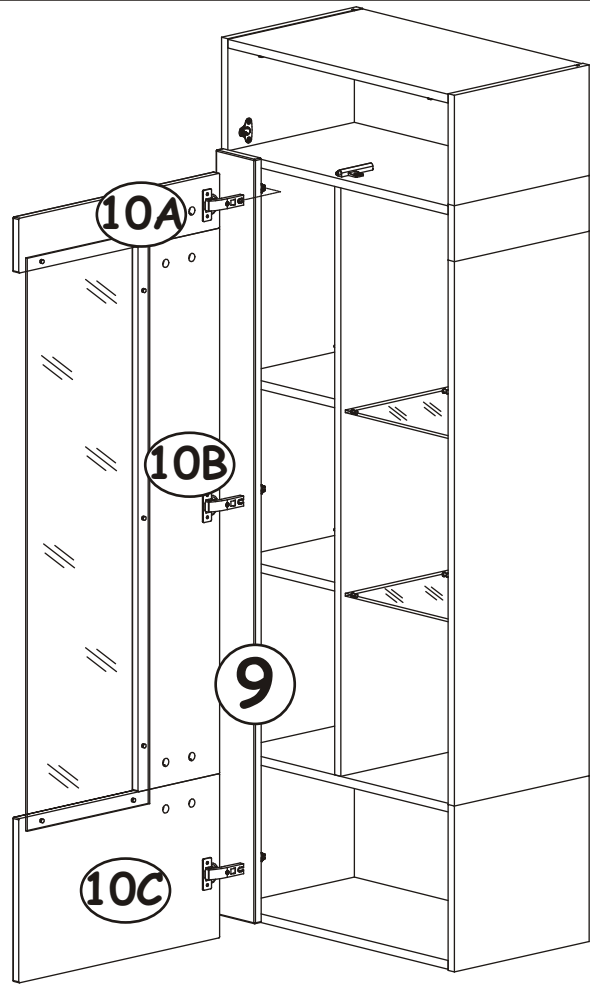
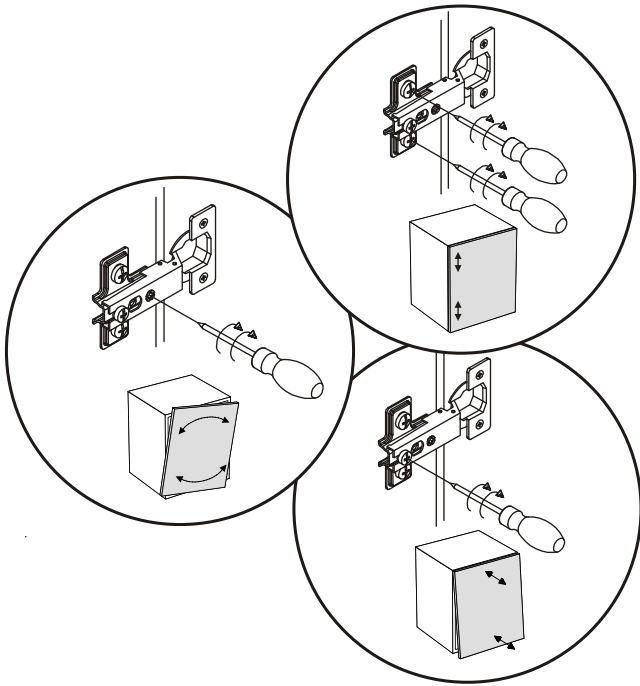
12



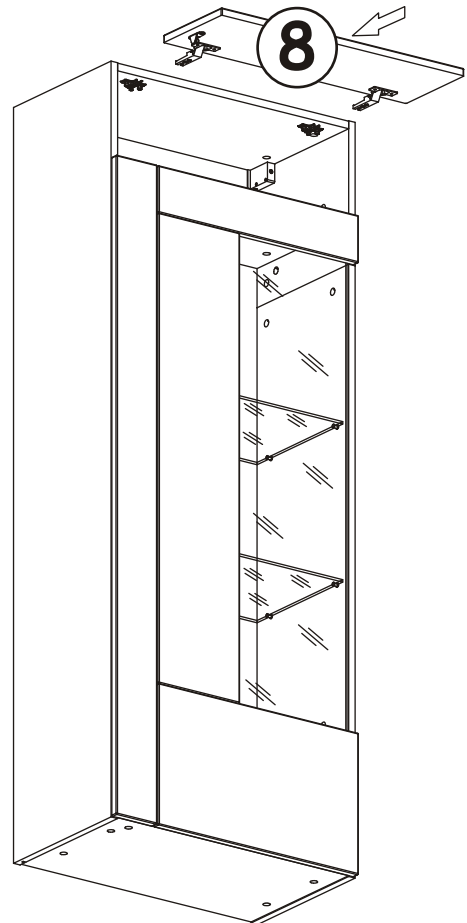
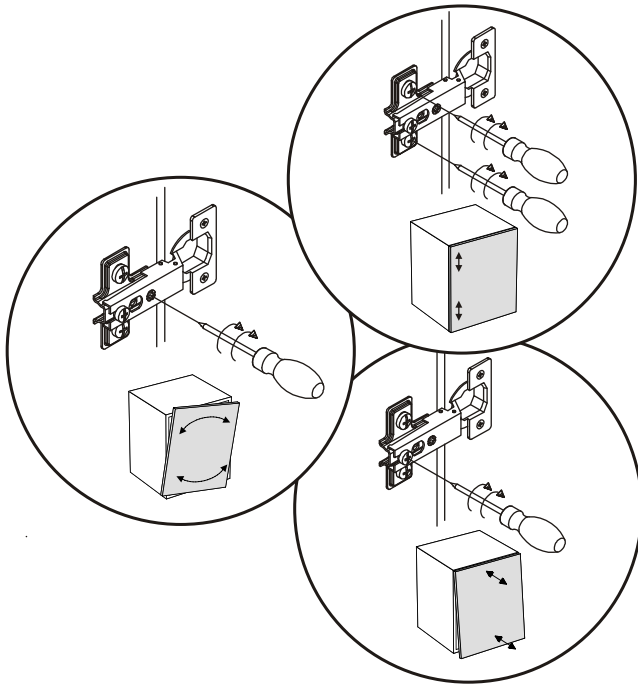
13



14



15



16

