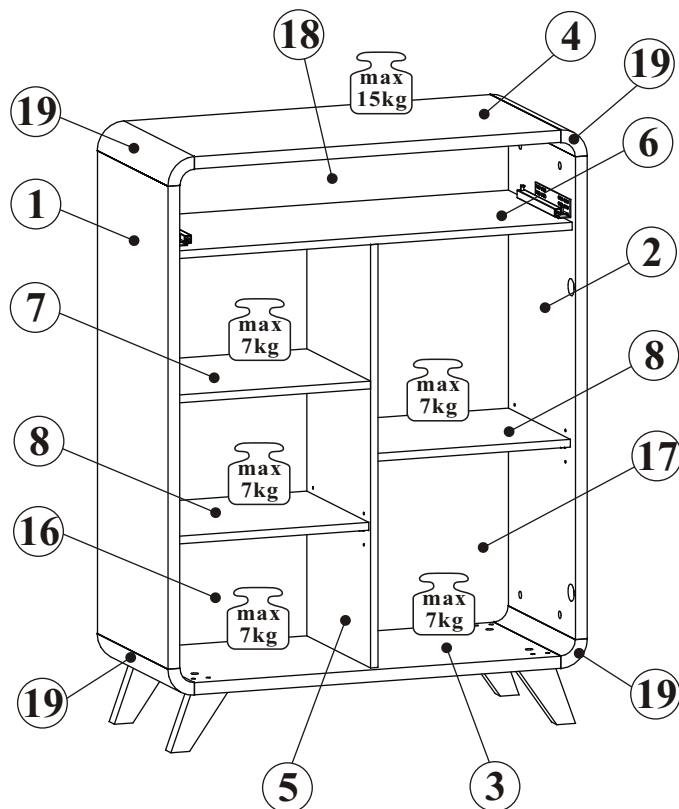
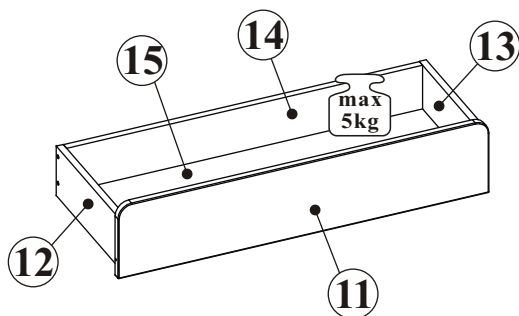
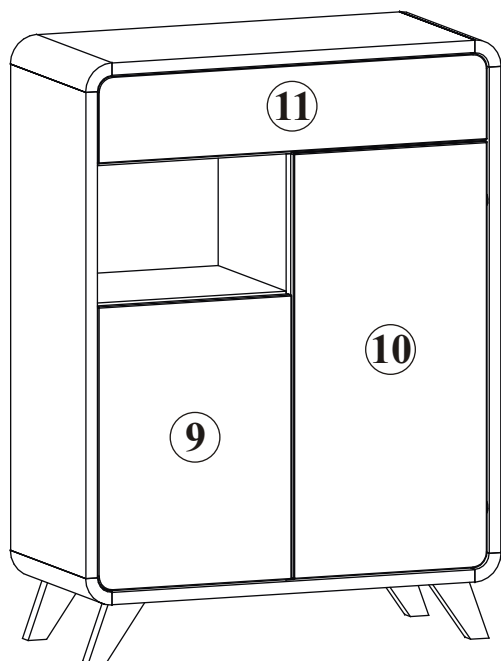
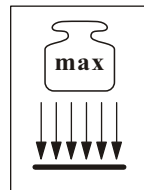
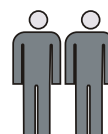
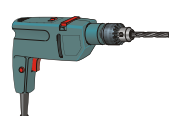


ROUND 20_RD WSN



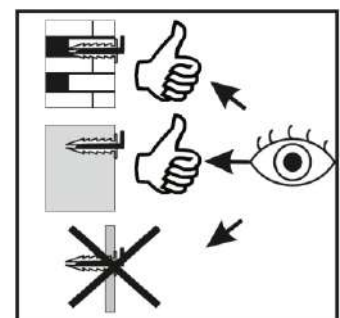
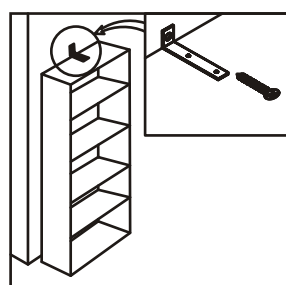
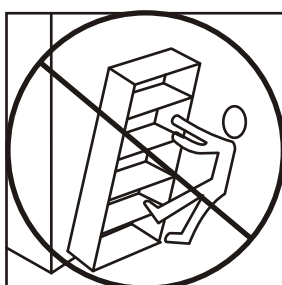
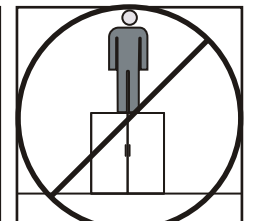
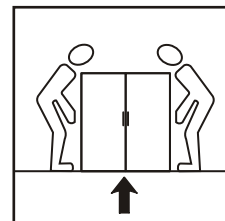
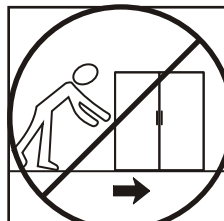
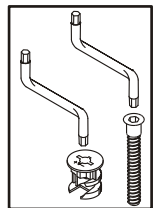
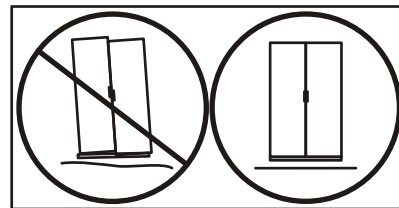
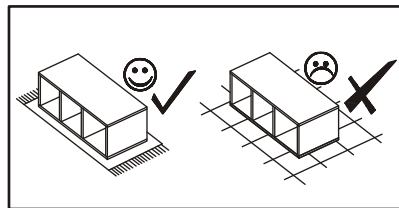
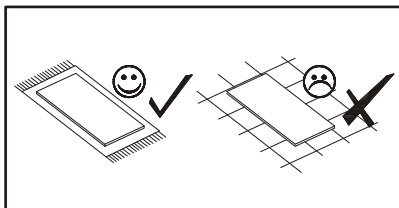
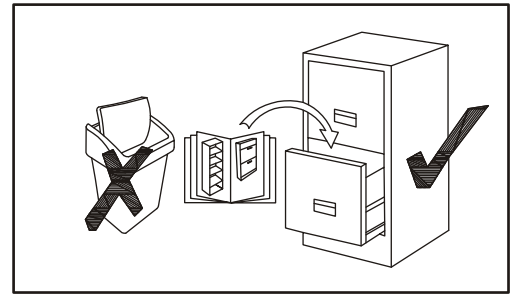
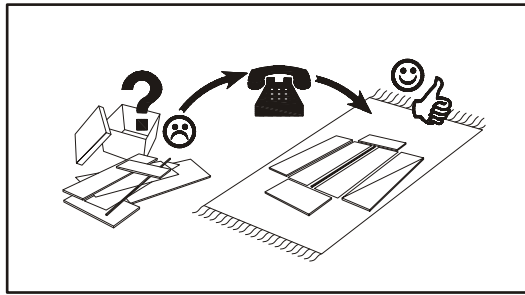
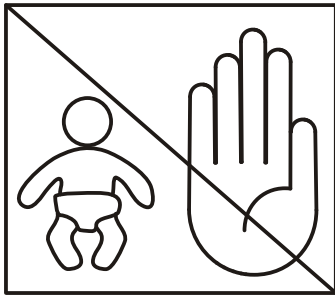
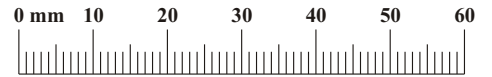
| NO | Dim. | | | Col.-No | Qty |
|----|------|-----|----|---------|-----|
| 1 | 988 | 400 | 25 | 1 / 2. | 1 |
| 2 | 988 | 400 | 25 | 1 / 2. | 1 |
| 3 | 787 | 400 | 25 | 1 / 2. | 1 |
| 4 | 787 | 400 | 25 | 1 / 2. | 1 |
| 5 | 866 | 361 | 16 | 2 / 2. | 1 |
| 6 | 850 | 361 | 16 | 2 / 2. | 1 |
| 7 | 417 | 361 | 16 | 2 / 2. | 1 |
| 8 | 417 | 351 | 16 | 2 / 2. | 2 |
| 9 | 420 | 578 | 16 | 2 / 2. | 1 |
| 10 | 420 | 865 | 16 | 2 / 2. | 1 |
| 11 | 844 | 176 | 16 | 2 / 2. | 1 |
| 12 | 300 | 120 | 16 | 2 / 2. | 1 |
| 13 | 300 | 120 | 16 | 2 / 2. | 1 |
| 14 | 810 | 106 | 16 | 2 / 2. | 1 |
| 15 | 822 | 304 | 3 | 2 / 2. | 1 |
| 16 | 879 | 430 | 3 | 2 / 2. | 1 |
| 17 | 879 | 430 | 3 | 2 / 2. | 1 |
| 18 | 182 | 862 | 3 | 2 / 2. | 1 |
| 19 | 400 | 80 | 35 | 2 / 2. | 4 |



120 min

ROUND 20_RD WSN

| | | | | | |
|-------------------------|---------------------|-------------------------|----------------------|---------------------|------------------------|
| A1 x40 ø8x36 | B4 x30 | B5 x14 ø15x12 | B16 x16 Ø15x16 | G5 x30 | G7 x8 |
| E21 x4 Ø35 H=0 | E2 x4 H=0 | D10 x18 USØ3,5x13 | OD1 x2 | B11 x12 Ø7x50 | G4 x12 |
| QU x1 L-300 | D27 x4 ESØ6x8 | SK x4 H=120 | S1 x16 | G16 x14 | UP13 x22 UPØ3x16 |
| KR1 x1 | L1 x1 | G2 x1 | | | |



ROUND 20_RD WSN

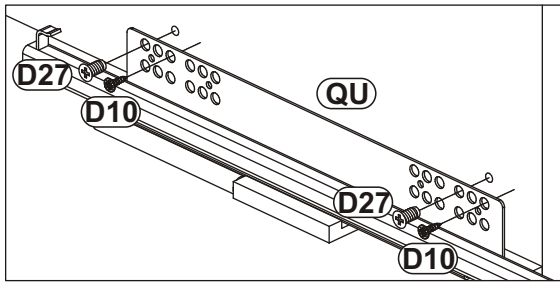
1

| | |
|-----|--------|
| B16 | |
| x8 | Ø15x16 |

| | |
|----|--|
| B4 | |
| x6 | |

| | |
|----|--|
| G7 | |
| x4 | |

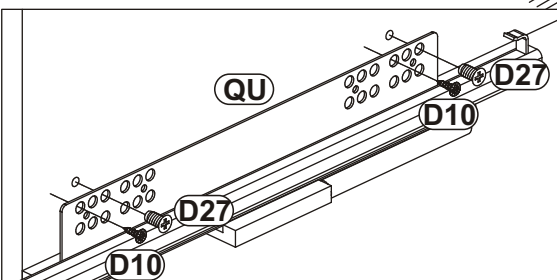
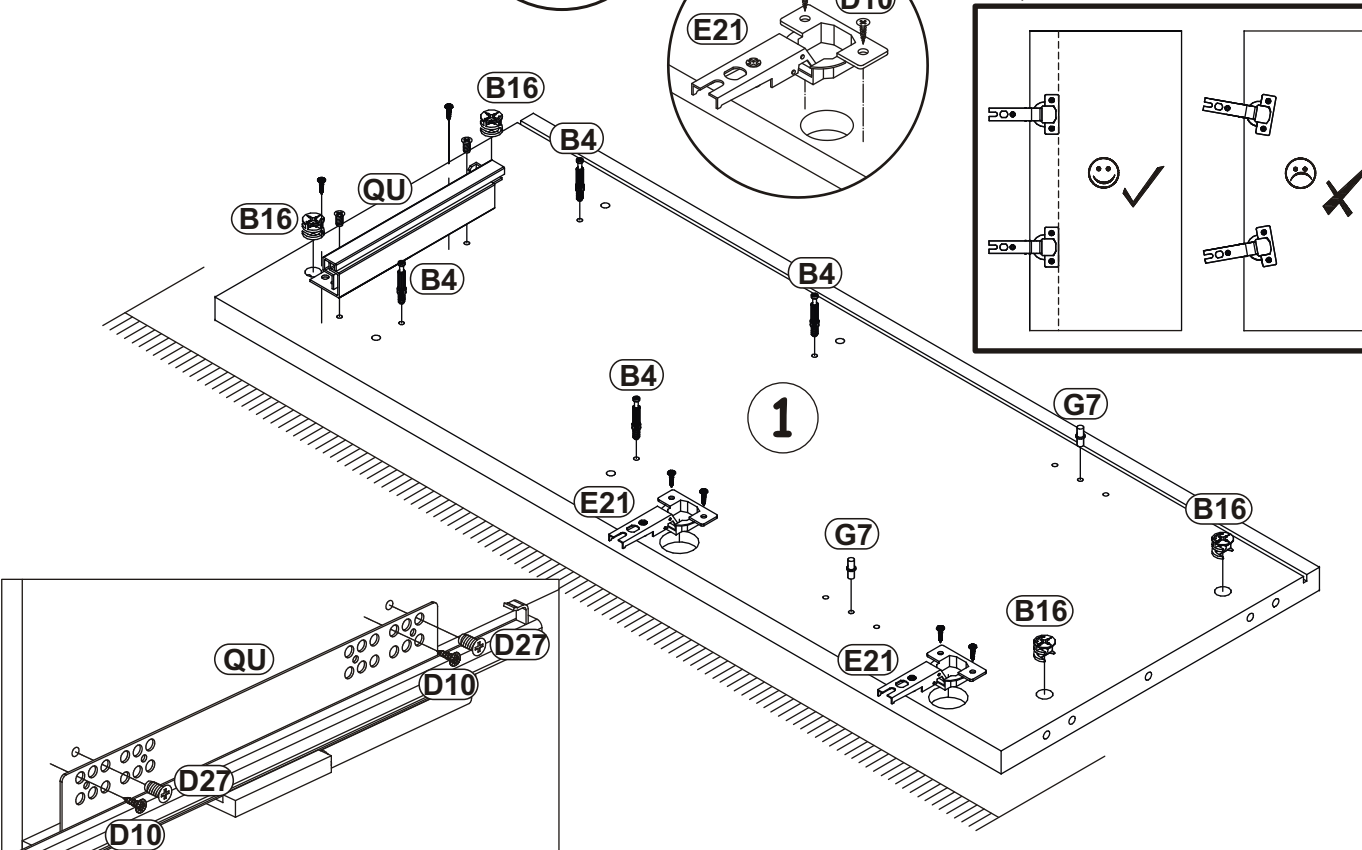
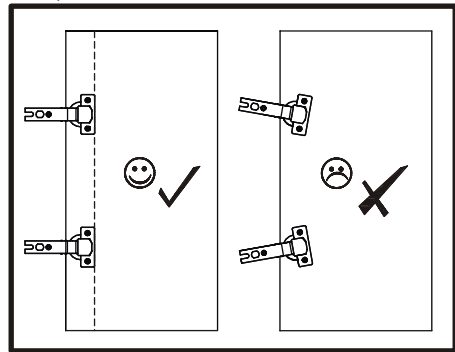
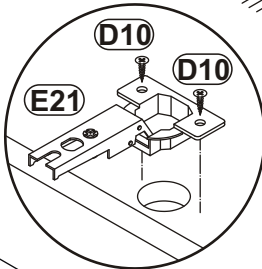
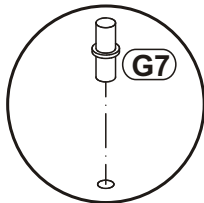
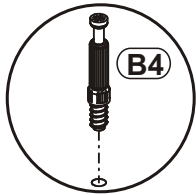
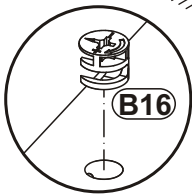
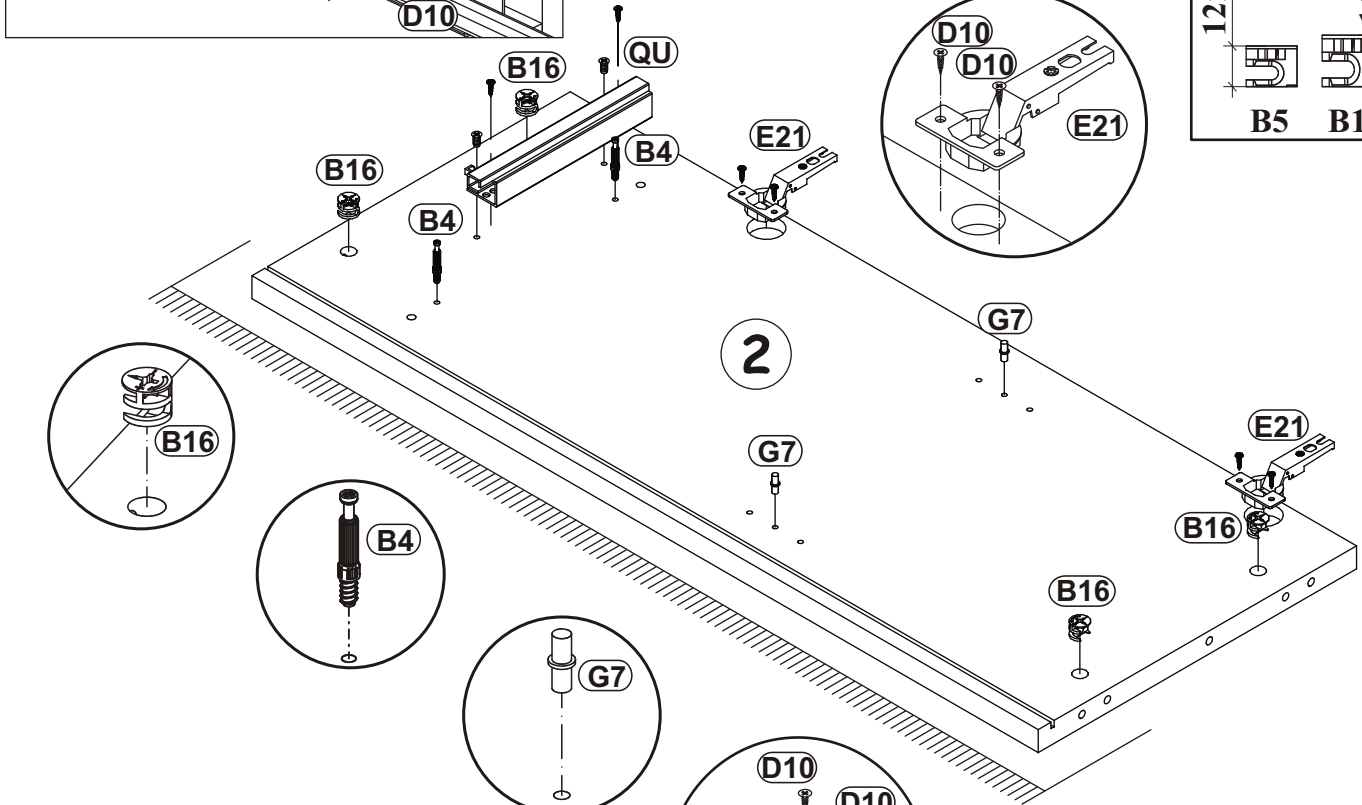
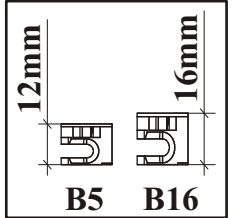
| | |
|-----|-----|
| E21 | Ø35 |
| x4 | H=0 |



| | |
|----|-------|
| QU | |
| x1 | L-300 |

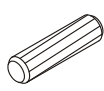
| | |
|-----|--------|
| D27 | |
| x4 | ESØ6x8 |


| | |
|-----|-----------|
| D10 | |
| x12 | USØ3,5x13 |

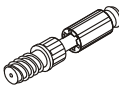


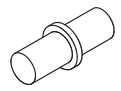
ROUND 20_RD WSN

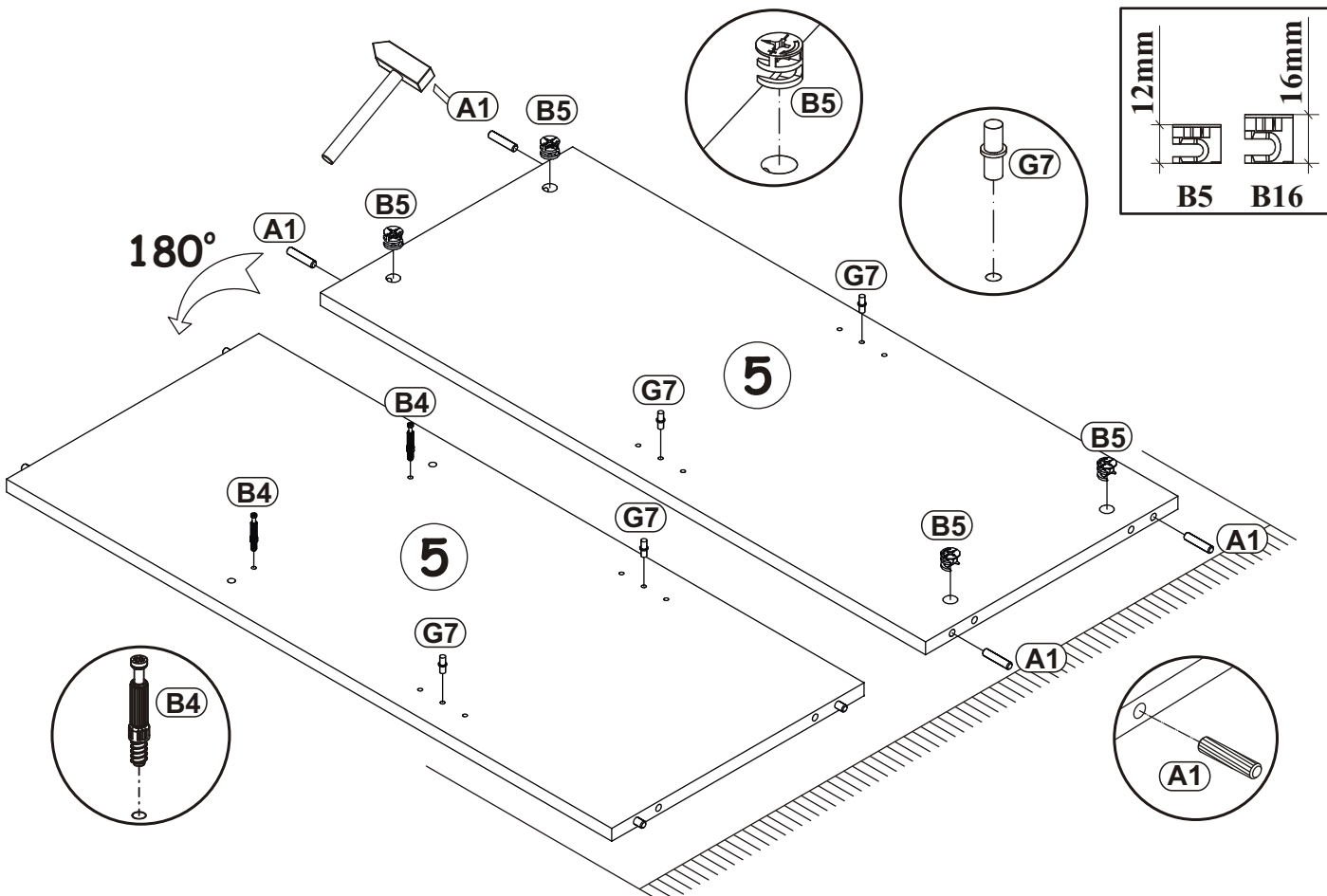
2

| | |
|----|---|
| A1 |  |
| x4 | ø8x36 |


| | |
|----|--|
| B5 |  |
| x4 | ø15x12 |


| | |
|----|---|
| B4 |  |
| x2 | |


| | |
|----|---|
| G7 |  |
| x4 | |

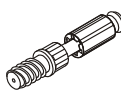



3

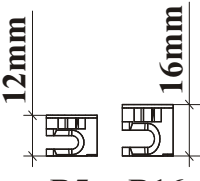
| | |
|----|---|
| SK |  |
| x4 | H=120 |

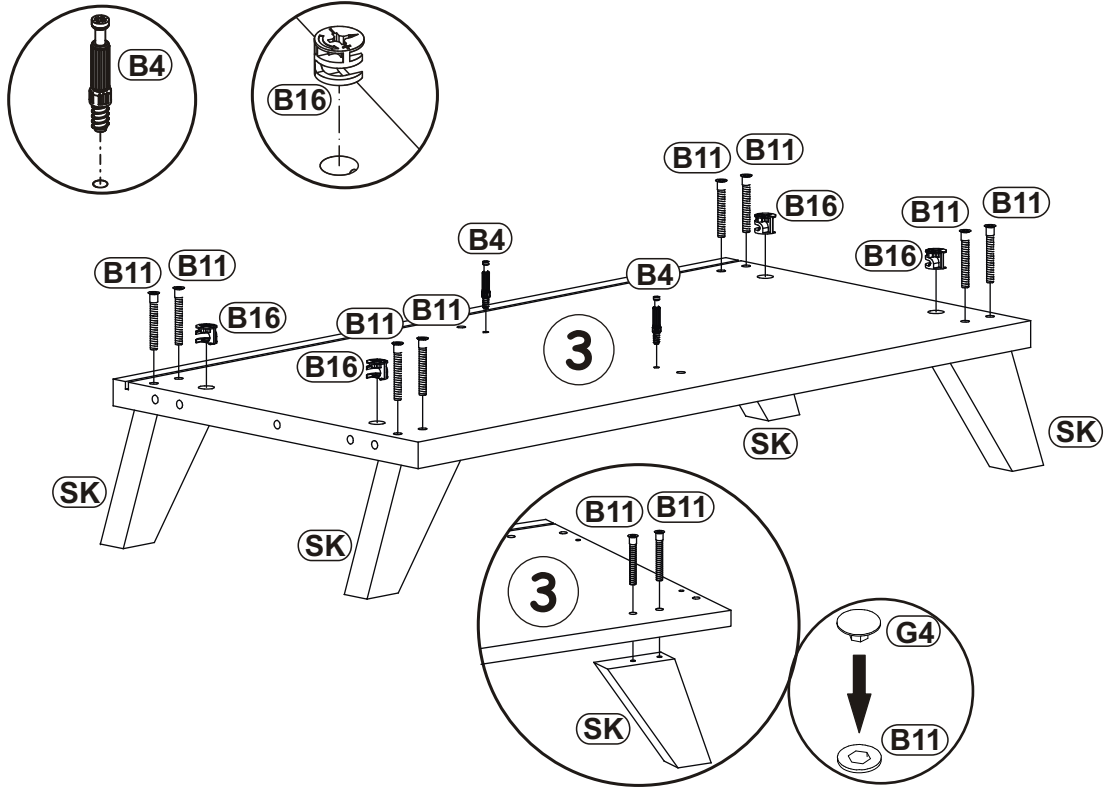
| | |
|-----|--|
| B11 |  |
| x8 | ø7x50 |

| | |
|----|---|
| G4 |  |
| x8 | |

| | |
|----|---|
| B4 |  |
| x2 | |

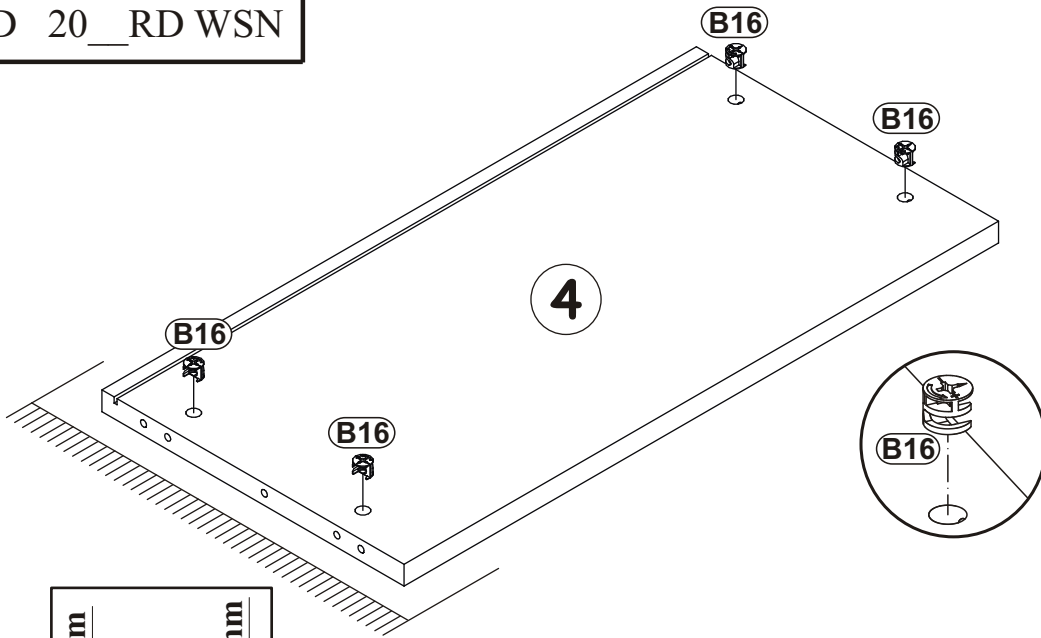
| | |
|-----|---|
| B16 |  |
| x4 | ø15x16 |

| | |
|--|---|
| |  |
| | B5 B16 |



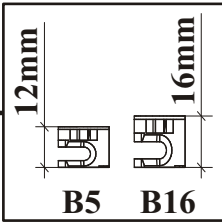
ROUND 20_RD WSN

4

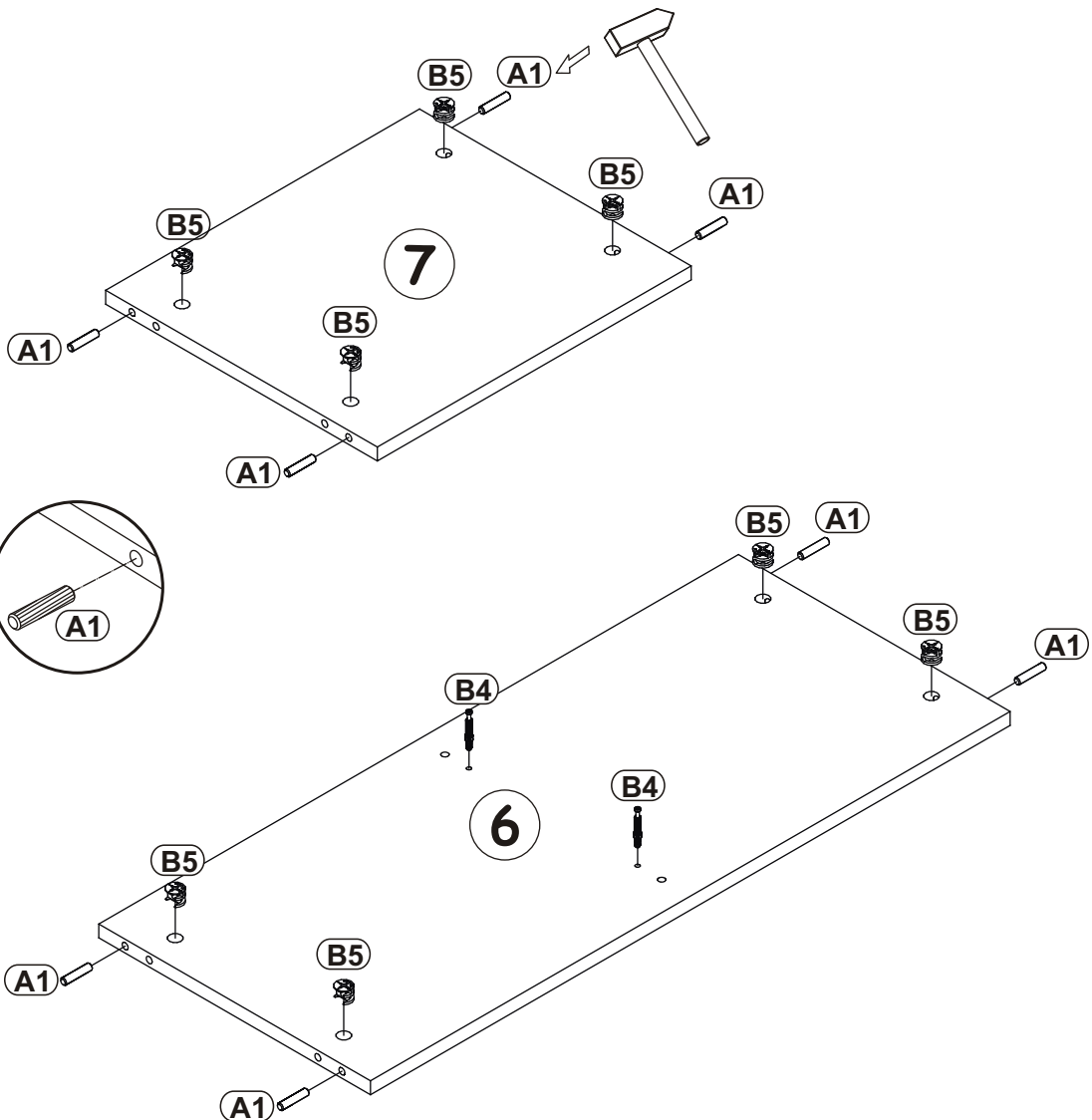
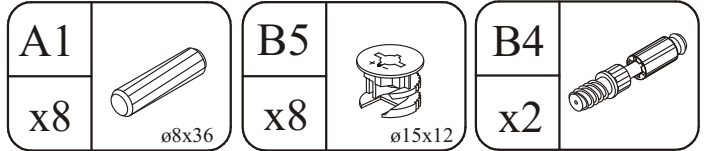


B16

x4



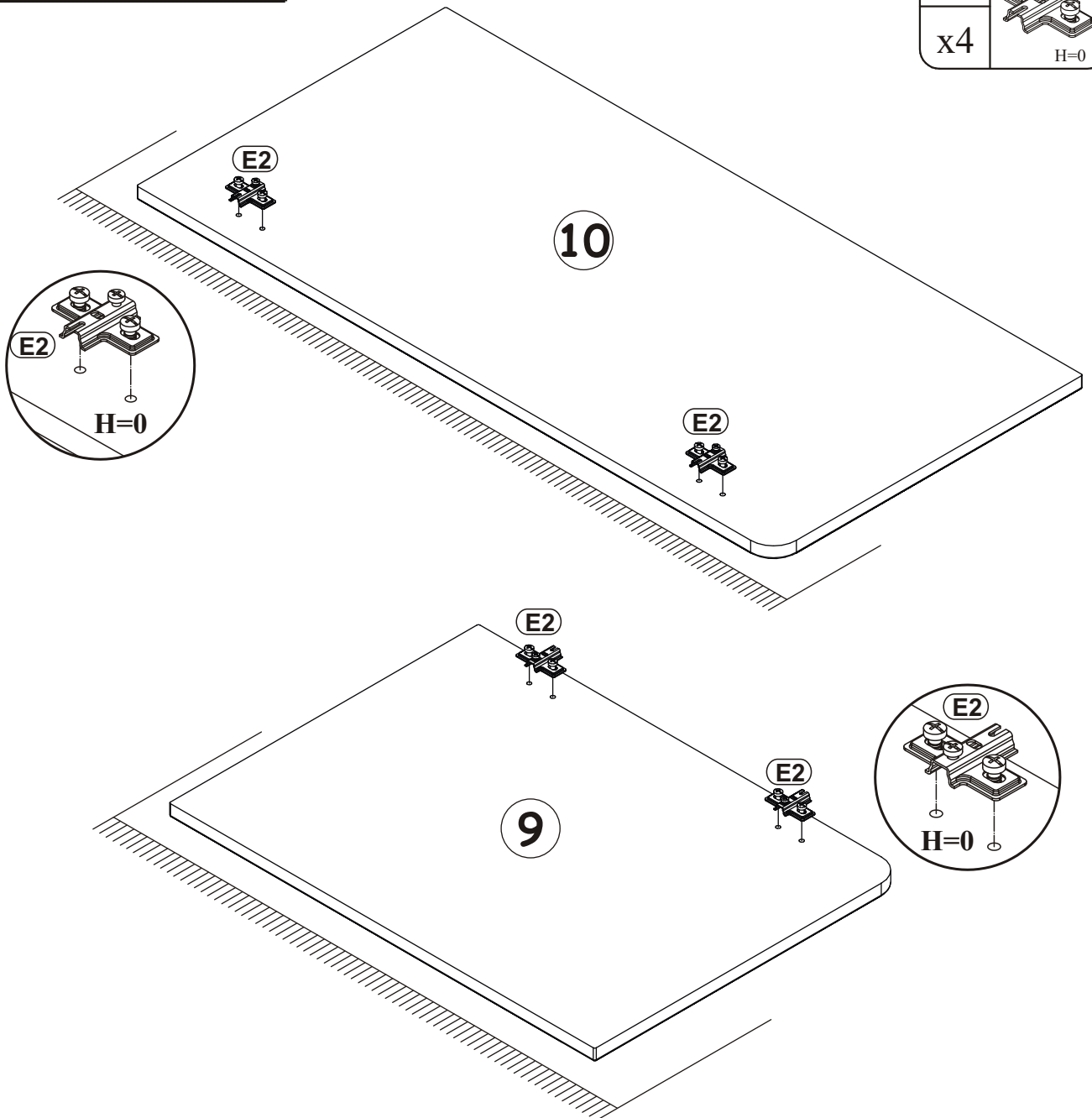
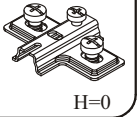
5



6

E2

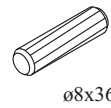
x4



7

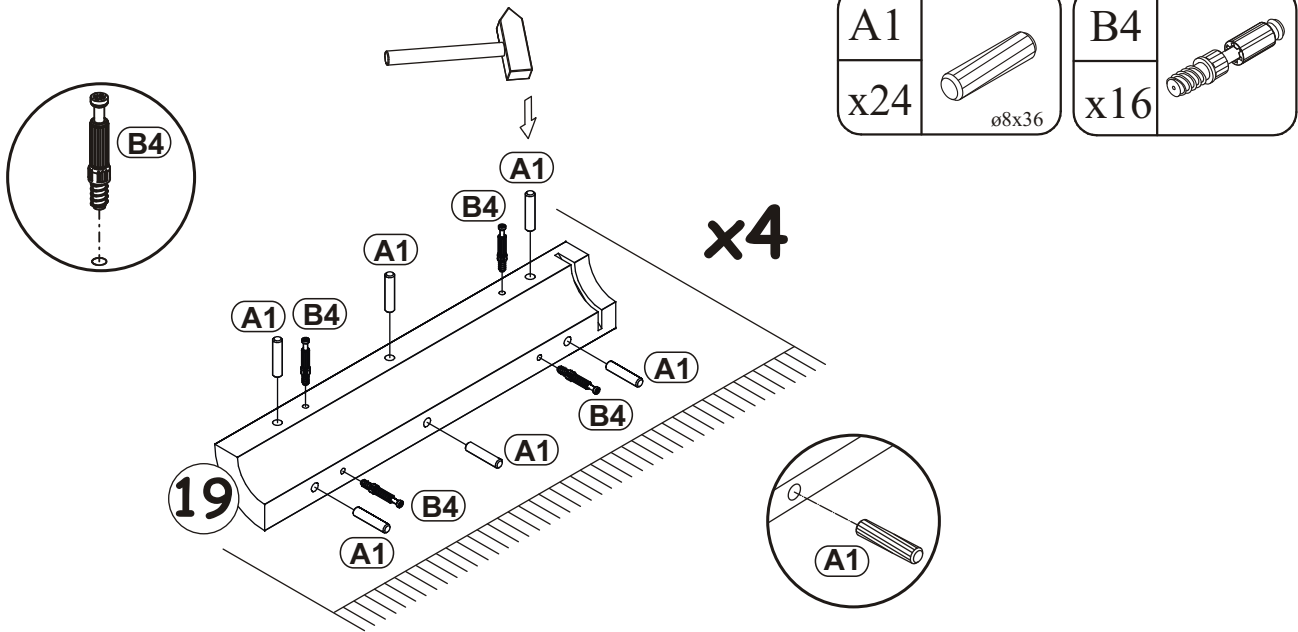
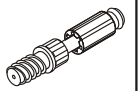
A1

x24

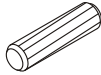


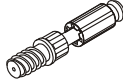
B4


x16





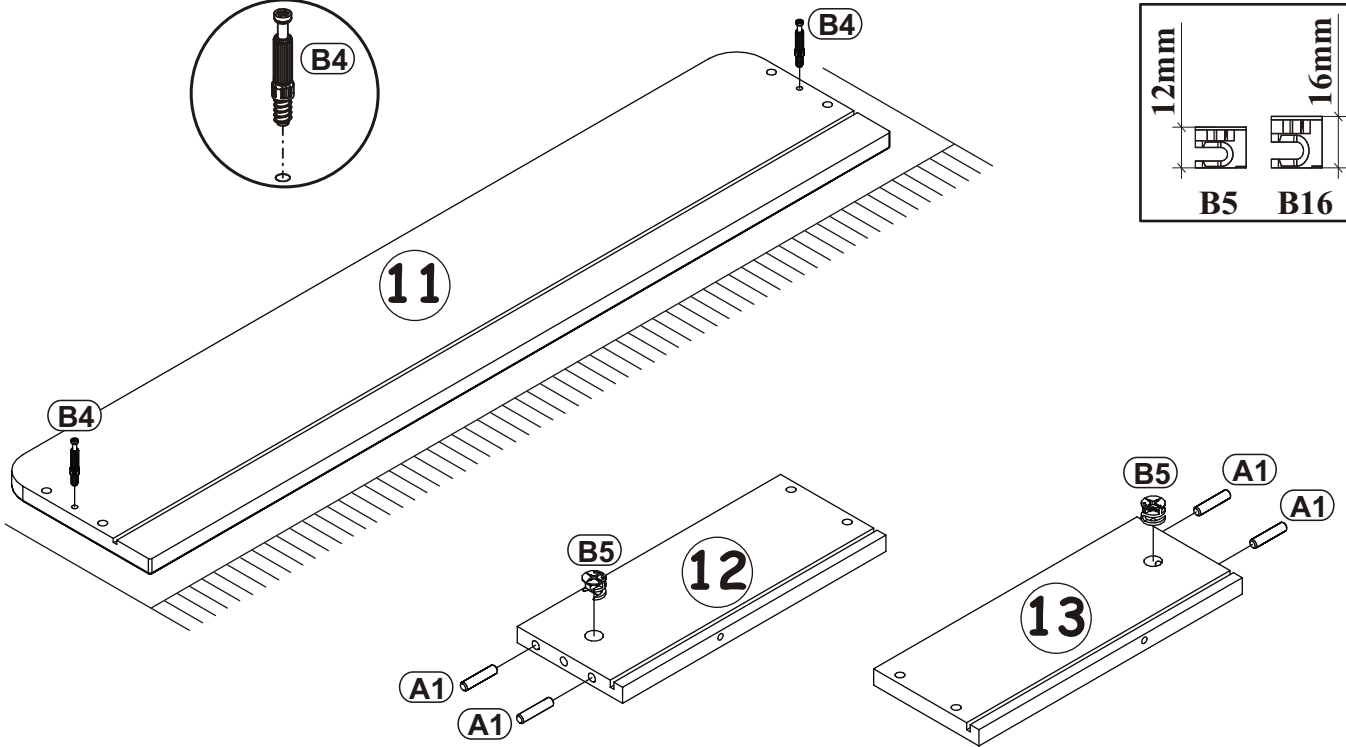
8

| | |
|----|--|
| A1 |  |
| x4 | ø8x36 |


| | |
|----|---|
| B4 |  |
| x2 | |


| | |
|----|---|
| B5 |  |
| x2 | ø15x12 |

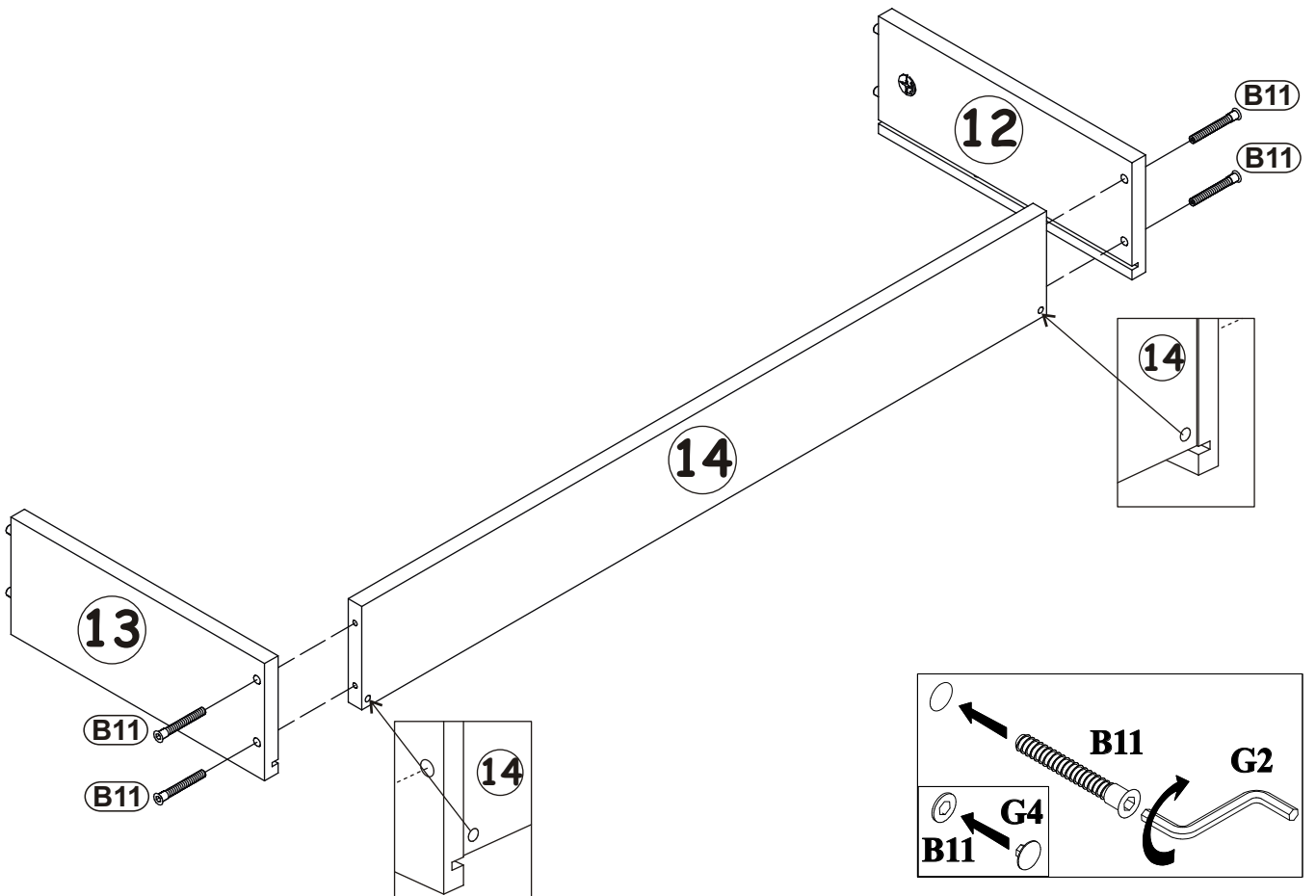
| | | | |
|------|---|------|---|
| 12mm |  | 16mm |  |
| | B5 | | B16 |



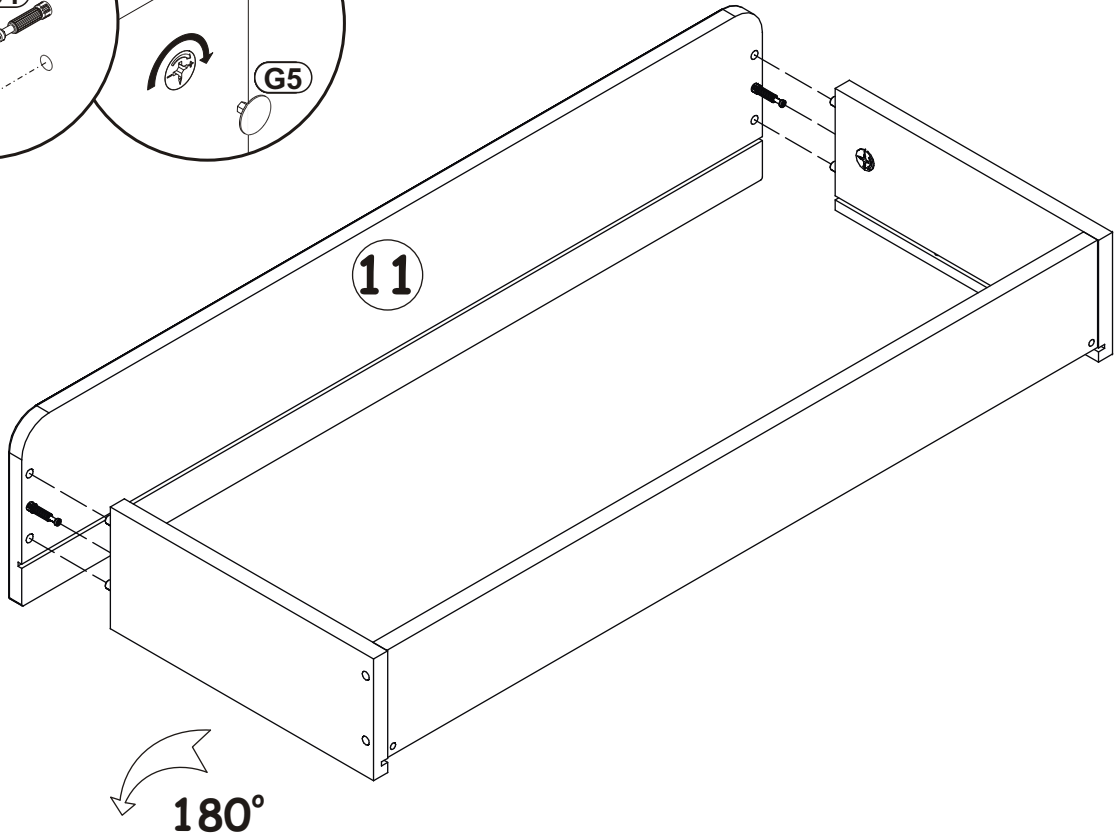
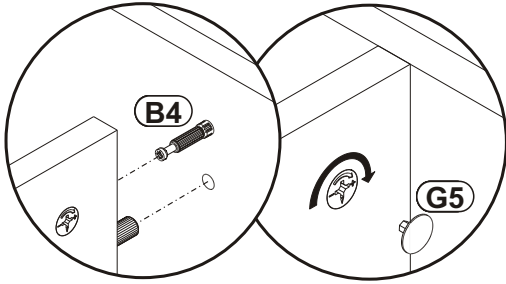
9

| | |
|-----|---|
| B11 |  |
| x4 | Ø7x50 |

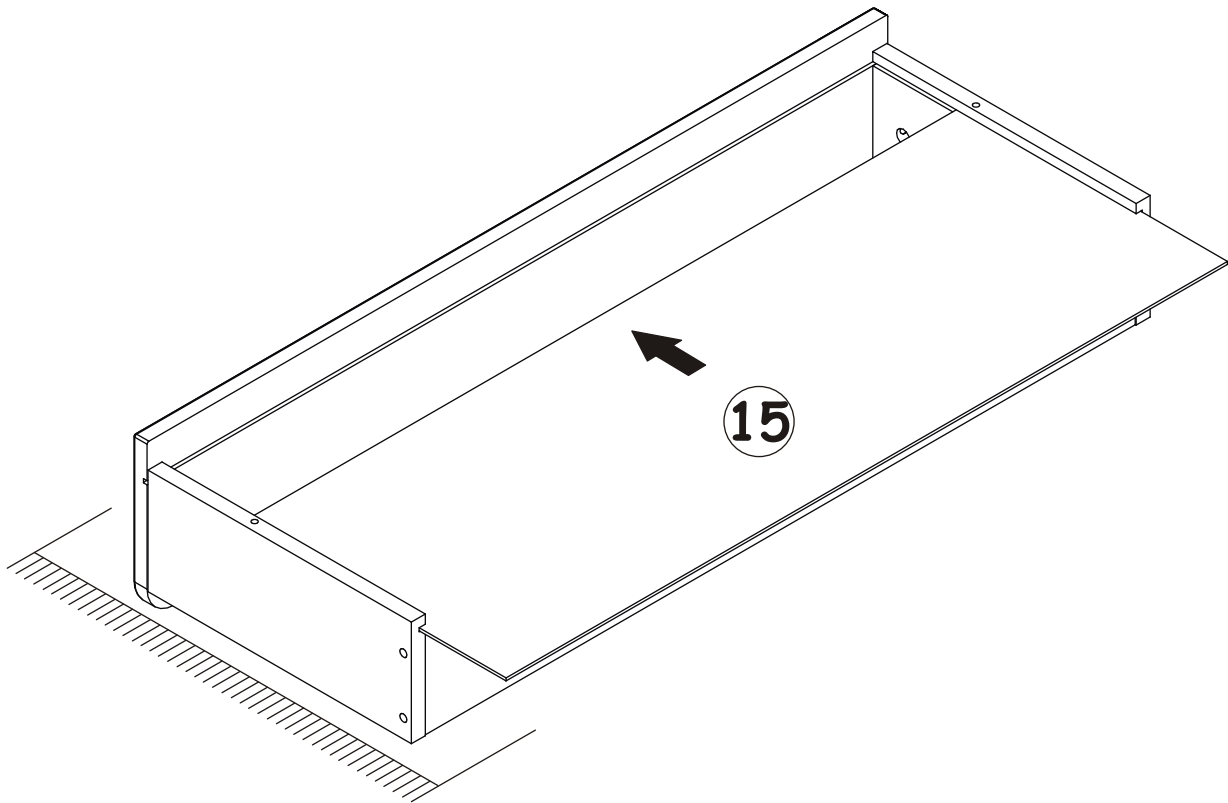
| | |
|----|---|
| G4 |  |
| x4 | |




10

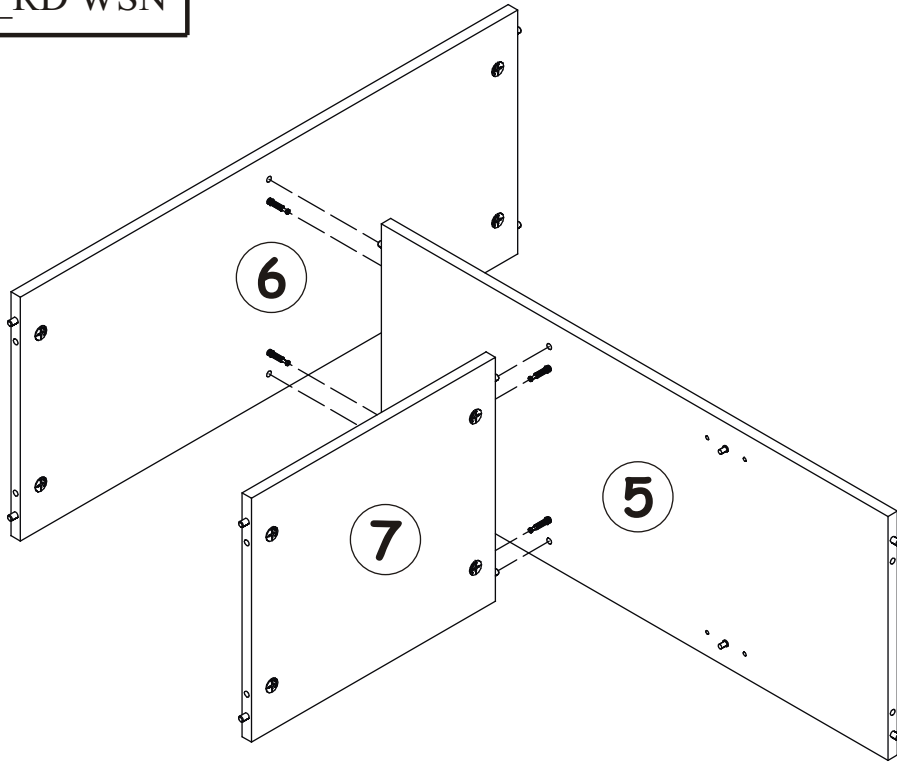


11

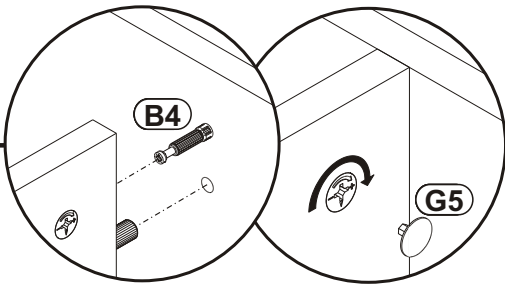



14

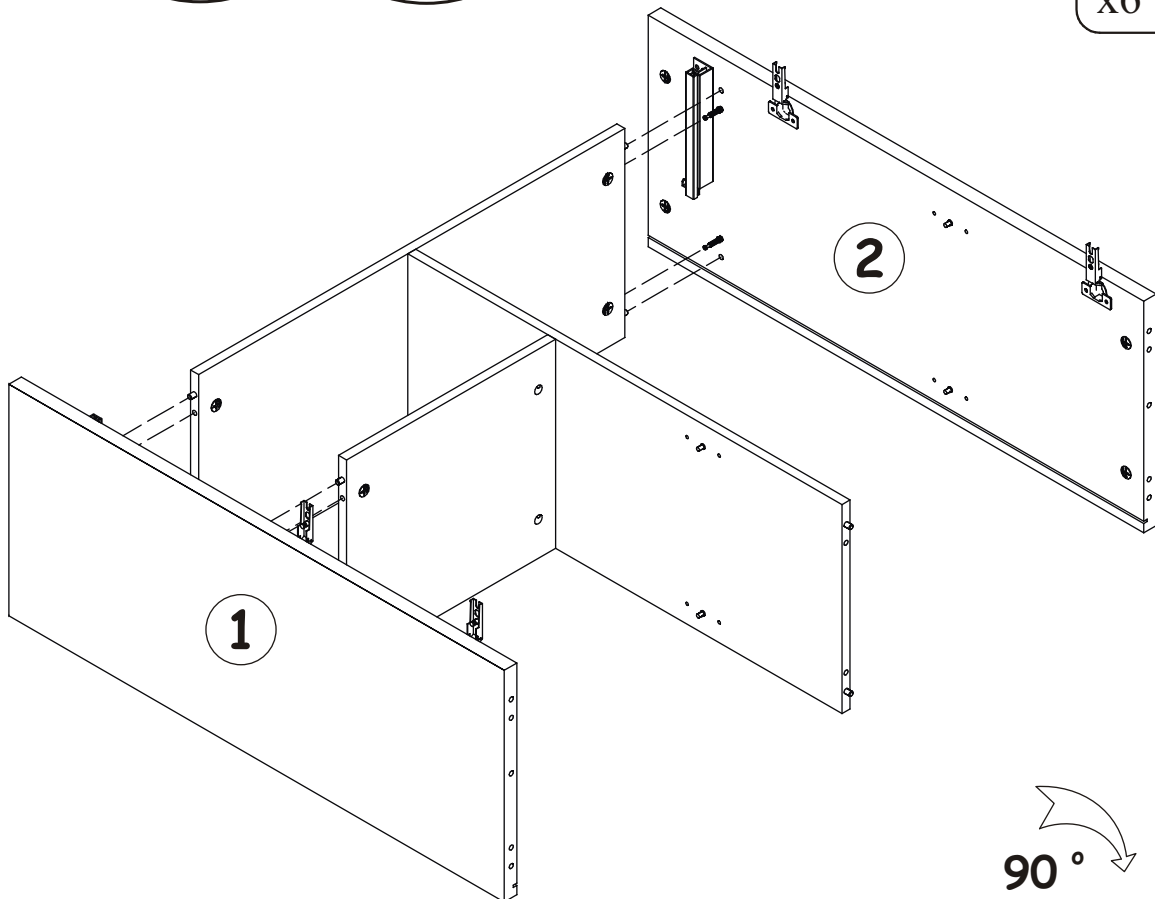
| | |
|----|---|
| G5 |  |
| x4 | |




15



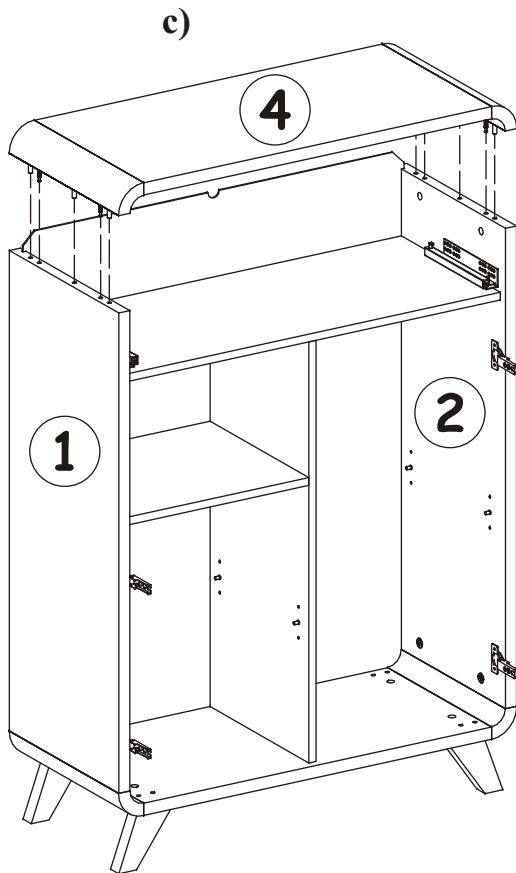
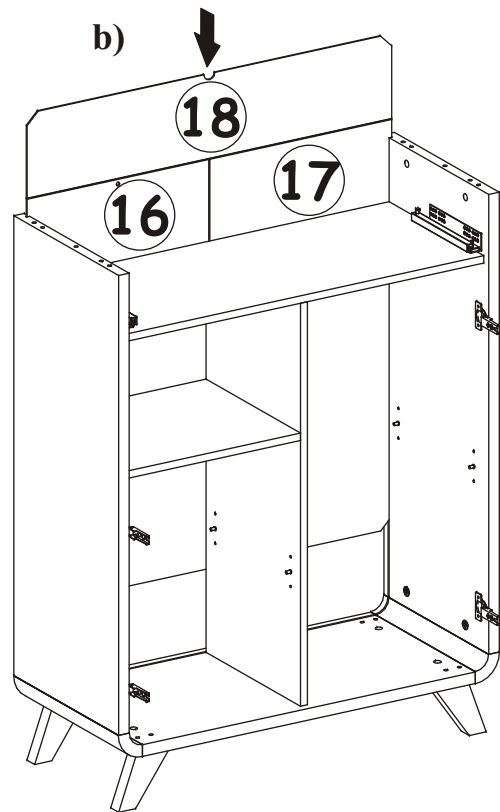
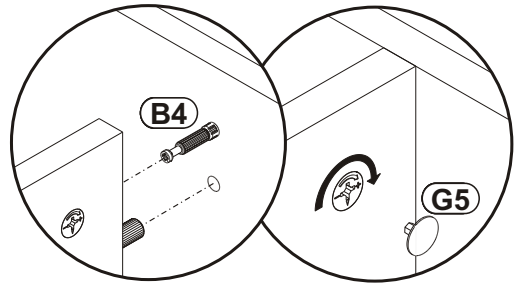
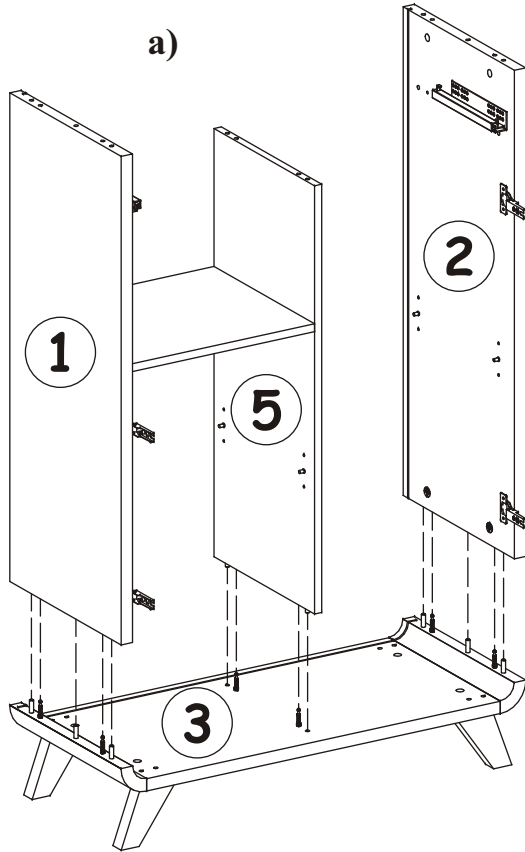
| | |
|----|---|
| G5 |  |
| x6 | |



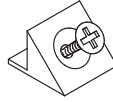
90°

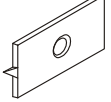
| | |
|-----|---|
| G5 |  |
| x10 | |


16



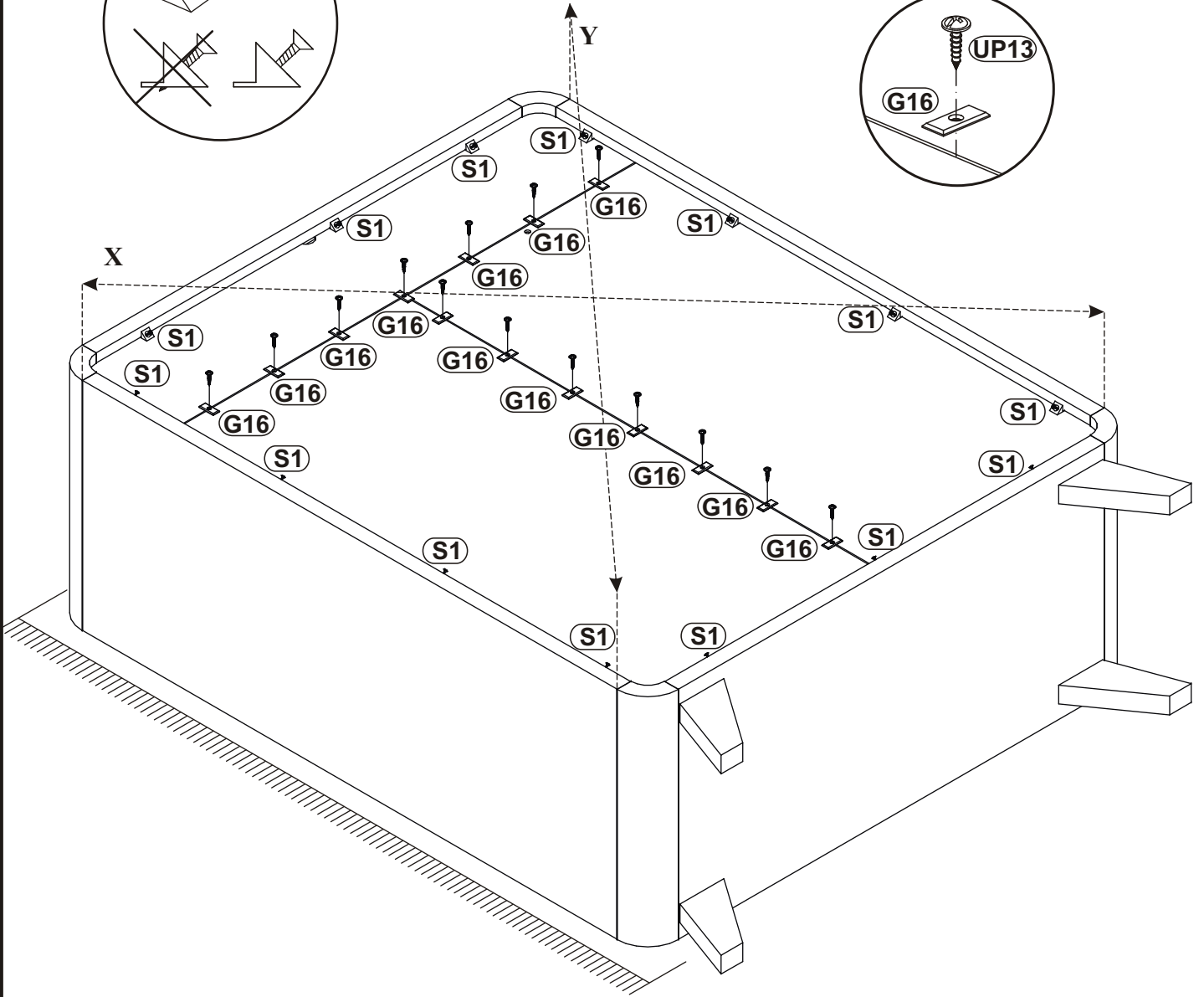
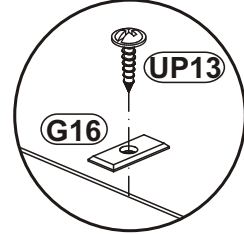
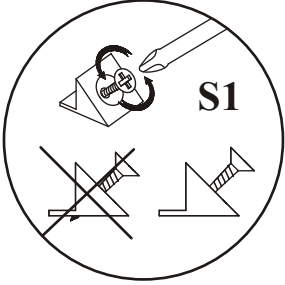
17

| | |
|-----|--|
| S1 |  |
| x14 | |

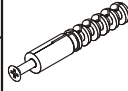
| | |
|-----|---|
| G16 |  |
| x14 | |

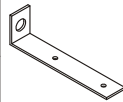
| | |
|------|---|
| UP13 |  |
| x14 | UPØ3x16 |


$X=Y$ \uparrow 90°

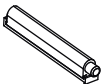


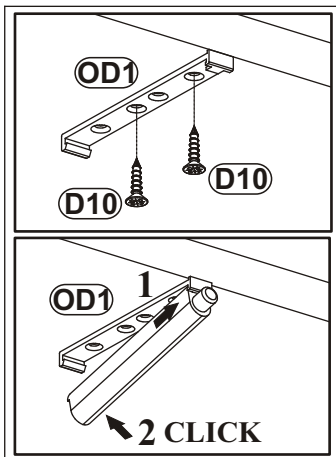
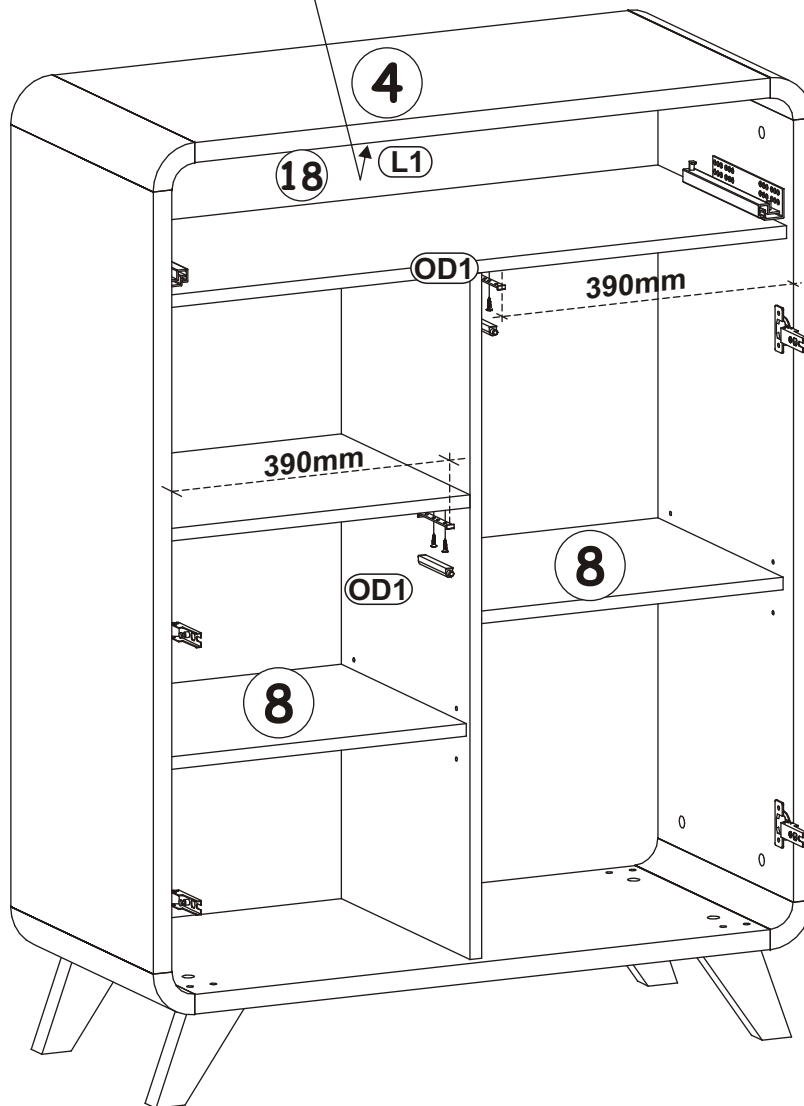
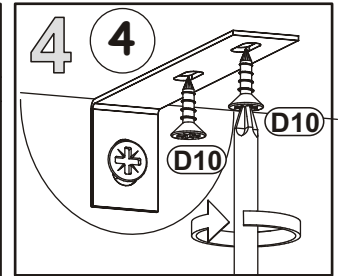
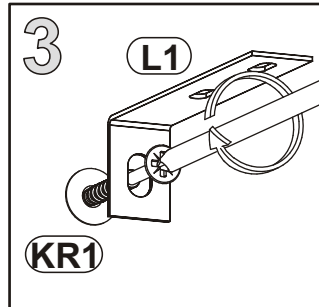
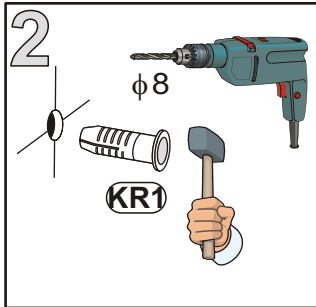
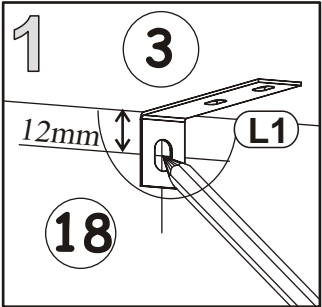
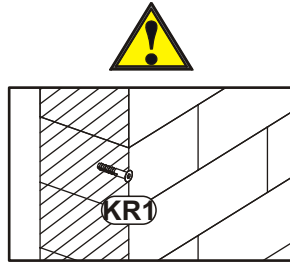
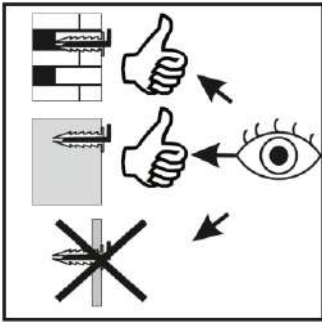
18

| | |
|-----|--|
| KR1 |  |
| x1 | |

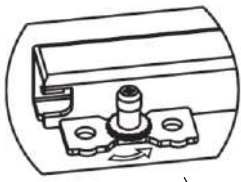
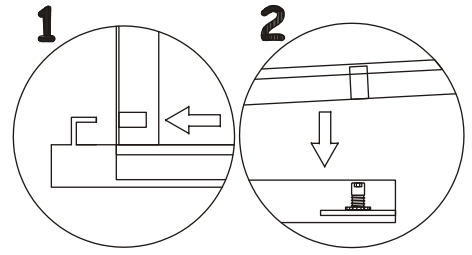
| | |
|----|--|
| L1 |  |
| x1 | |

| | |
|-----|---|
| D10 |  |
| x6 | USØ3,5x13 |

| | |
|-----|---|
| OD1 |  |
| x2 | |



19



↑+4 mm

