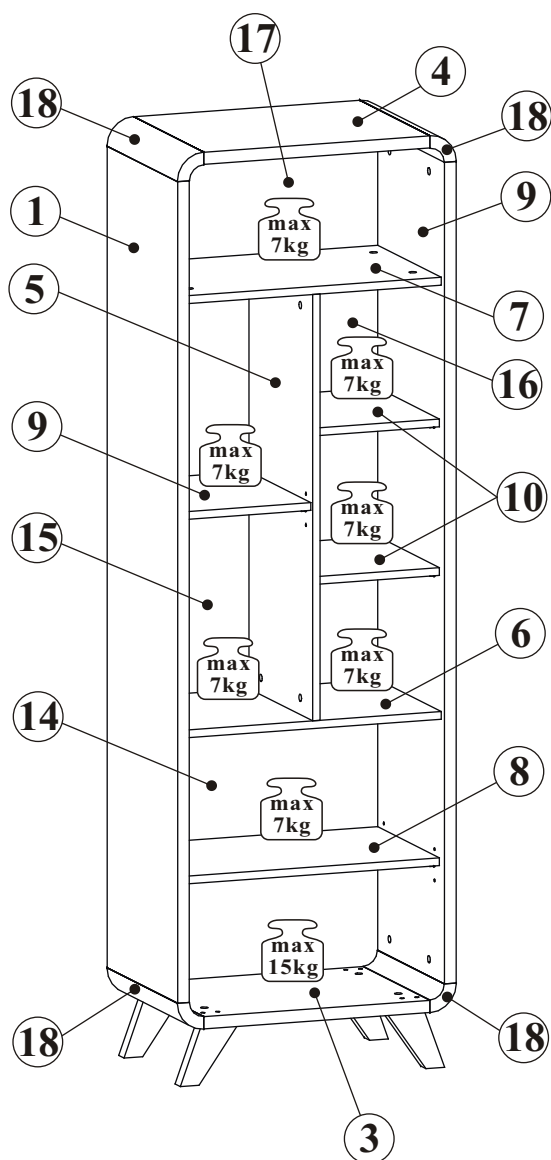
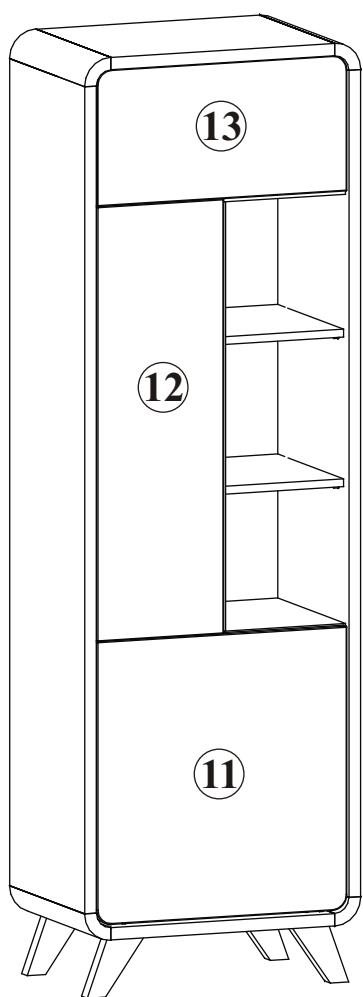
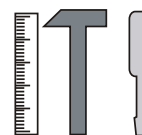
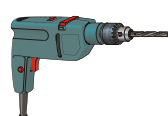


ROUND 20_RD WSW



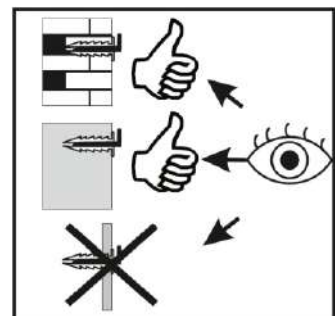
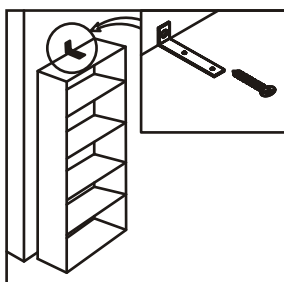
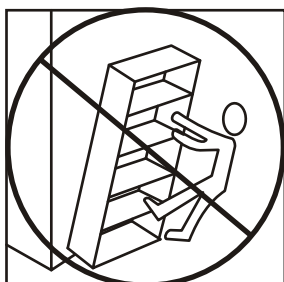
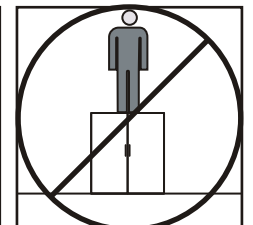
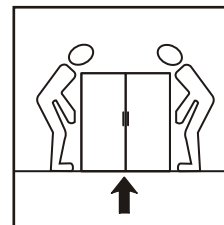
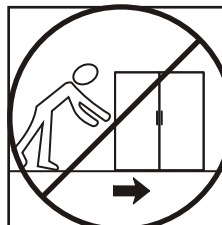
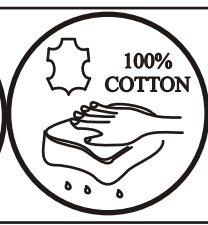
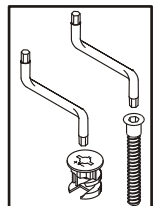
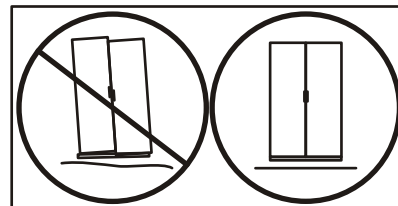
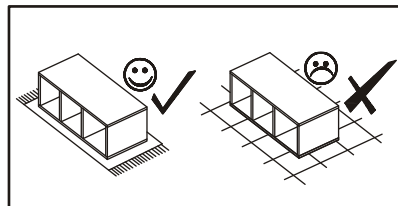
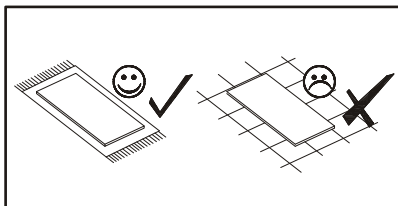
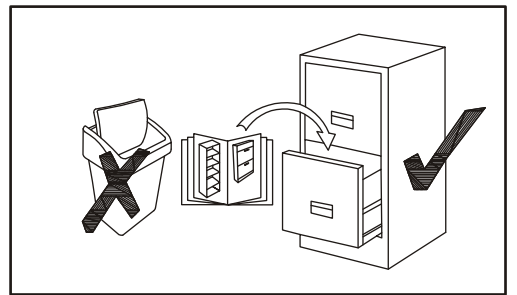
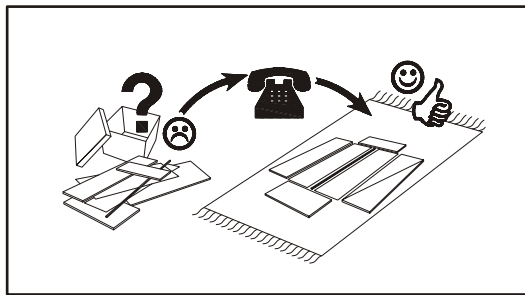
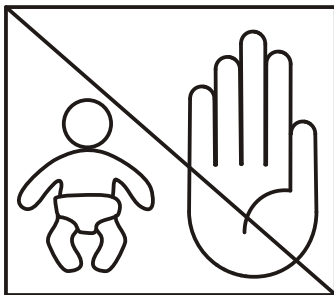
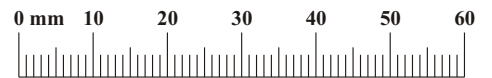
NO	Dim.		Col.-No	Qty
1	1686	400	25 1 / 3.	1
2	1686	400	25 1 / 3.	1
3	487	400	25 2 / 3.	1
4	487	400	25 2 / 3.	1
5	875	361	16 2 / 3.	1
6	550	361	16 2 / 3.	1
7	550	361	16 2 / 3.	1
8	550	351	16 2 / 3.	1
9	273	351	16 2 / 3.	1
10	261	351	16 2 / 3.	2
14	584	562	3 3 / 3.	1
15	889	286	3 2 / 3.	1
16	889	274	3 2 / 3.	1
17	284	562	3 3 / 3.	1
18	400	80	35 2 / 3.	4
11	544	578	16 3 / 3.	1
13	544	275	16 3 / 3.	1
12	276	887	16 3 / 3.	1



90 min


ROUND 20__RD WSW

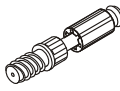
A1 x36 ø8x36	B4 x28	B5 x20 ø15x12	B16 x16 ø15x16	G5 x36	G7 x16
E21 x4 Ø35 H=0	E2 x4 H=0	D10 x12 USØ3,5x13	OD1 x1	B11 x8 Ø7x50	G4 x8
SK x4 H=120	S1 x16	G16 x17	UP13 x17 UPØ3x16	KR1 x1	L1 x1
G2 x1	B6 x4 Ø7x76	A6 x6 Ø8x80			

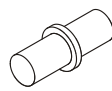


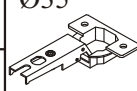
ROUND 20__RD WSW



1


B16	
x8	Ø15x16

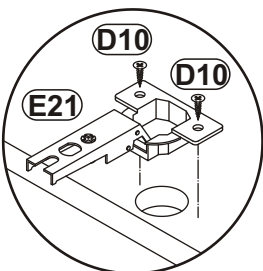
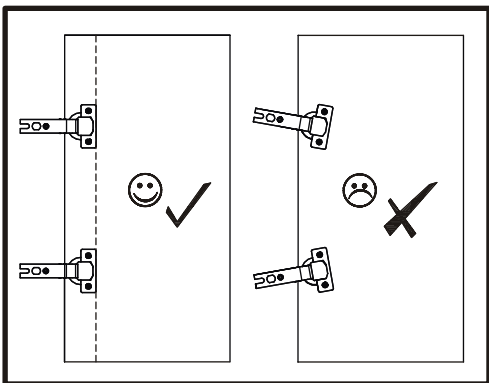
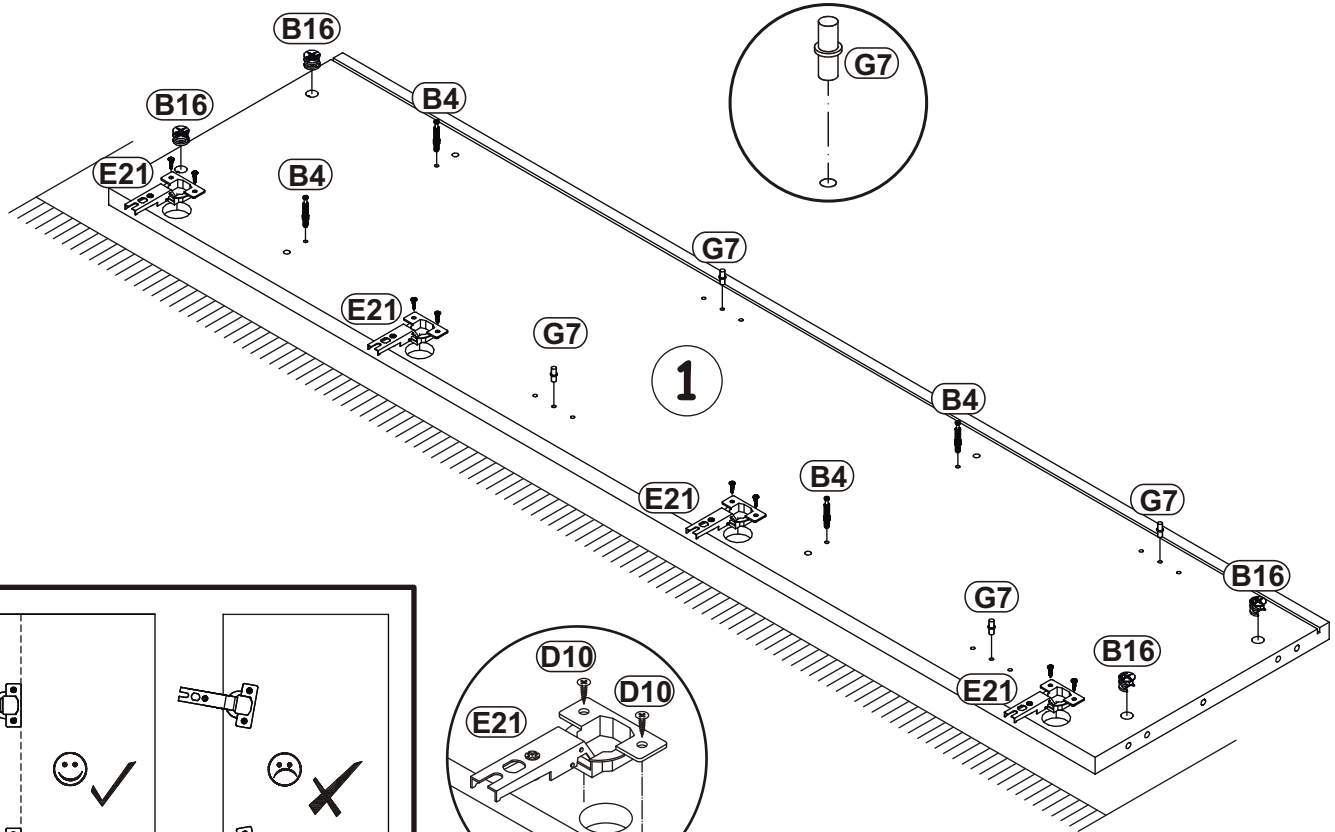
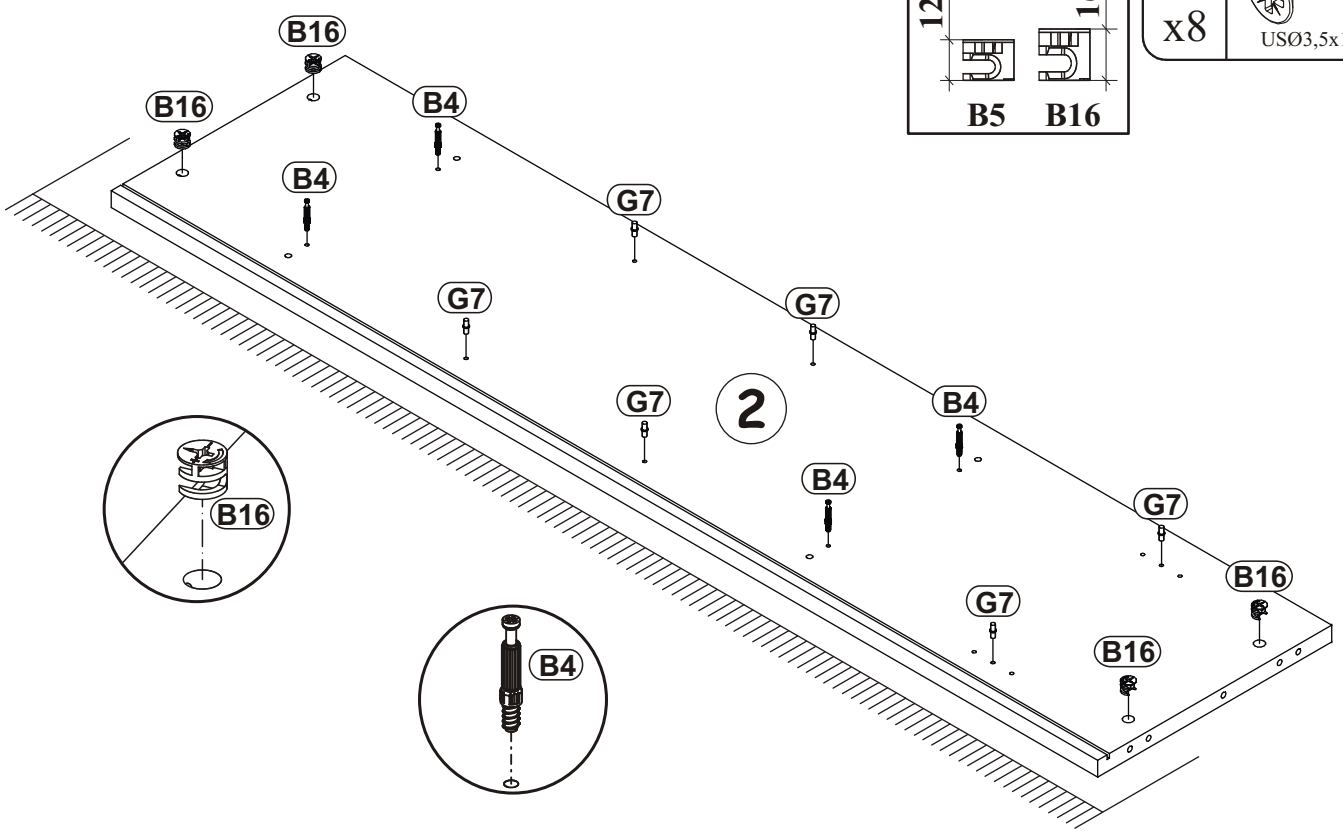
B4	
x8	

G7	
x10	

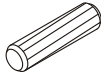
E21	Ø35 
x4	H=0


12mm		16mm	
	B5		B16

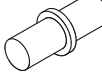
D10	
x8	USØ3,5x13





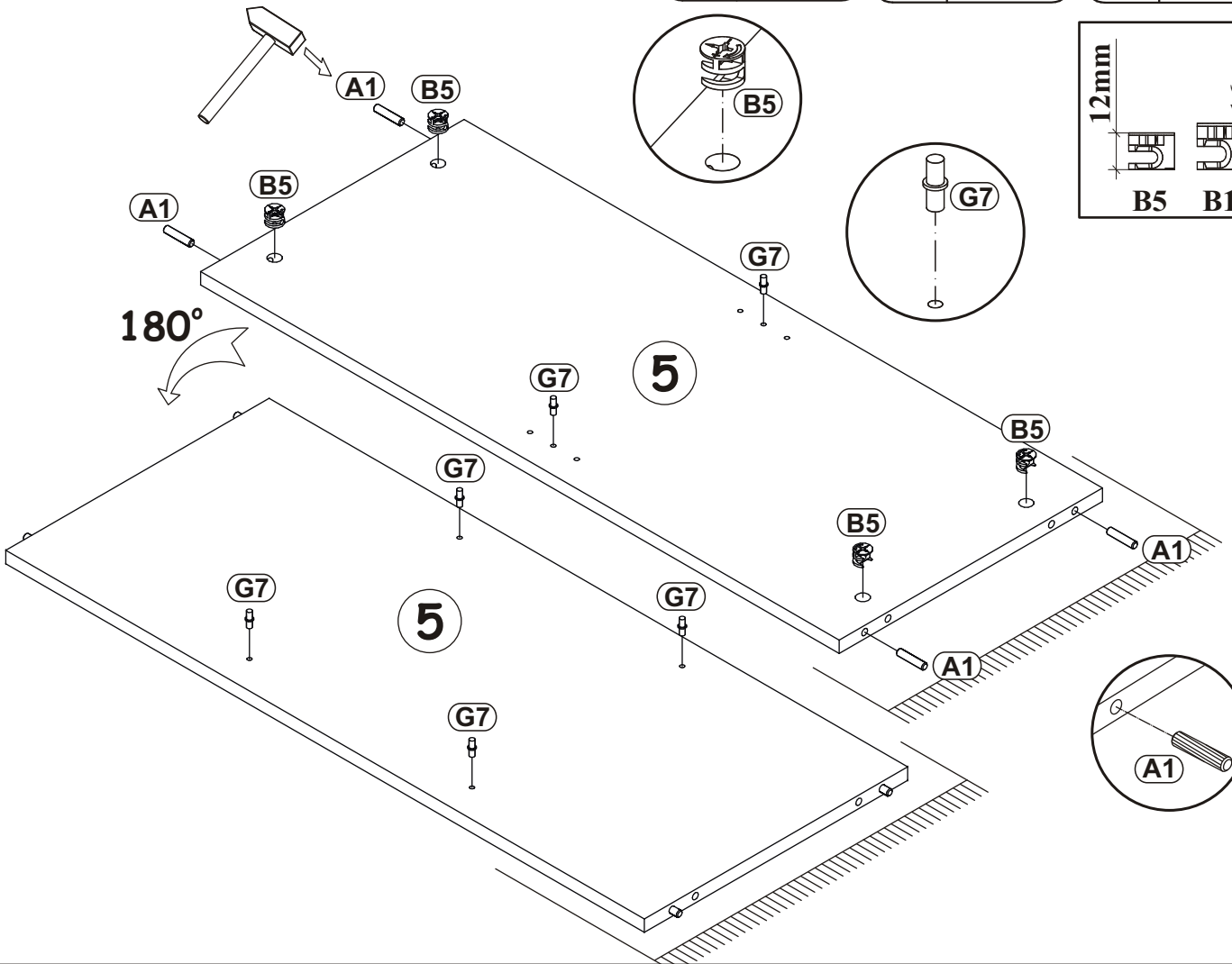
2

A1	
x4	ø8x36

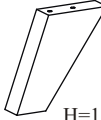
B5	
x4	ø15x12

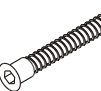
G7	
x6	


12mm		16mm	
	B5		B16






3

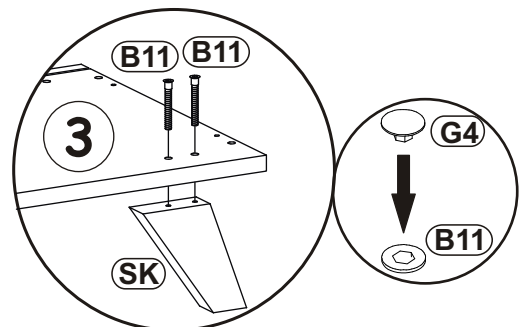
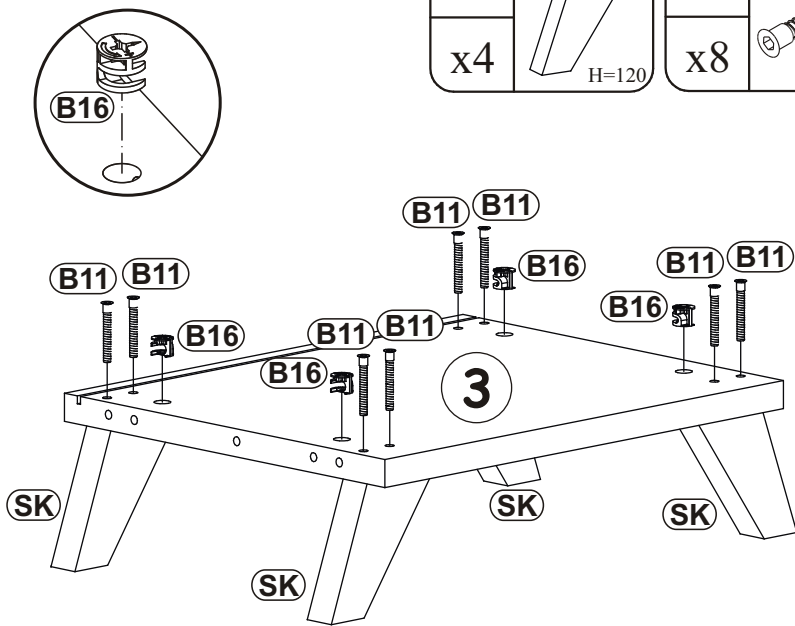
SK	
x4	H=120

B11	
x8	Ø7x50

G4	
x8	

B16	
x4	Ø15x16

12mm		16mm	
	B5		B16

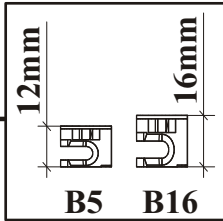
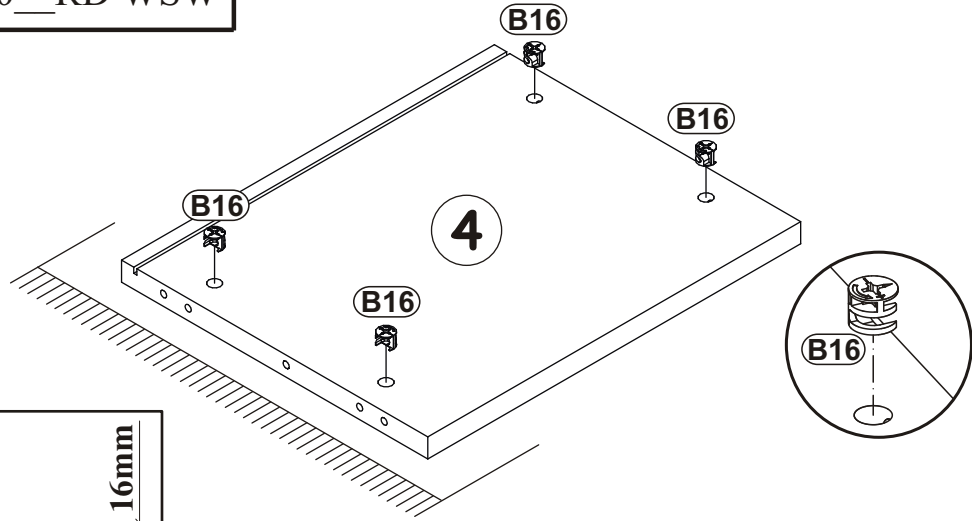


B16

x4



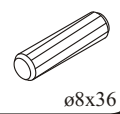
4



5

A1

x8



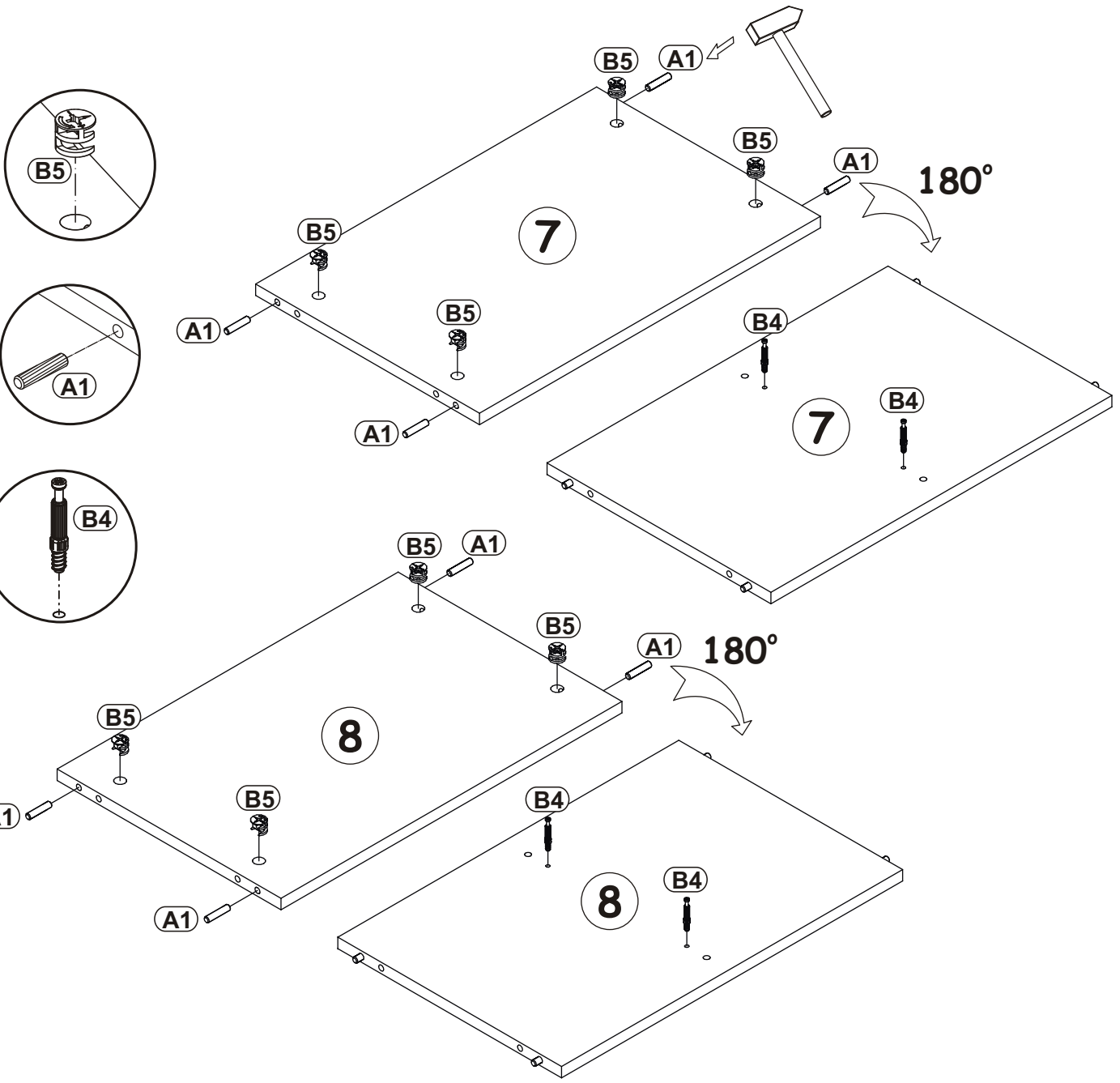
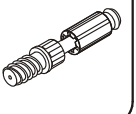
B5

x8


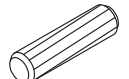


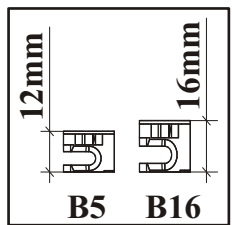
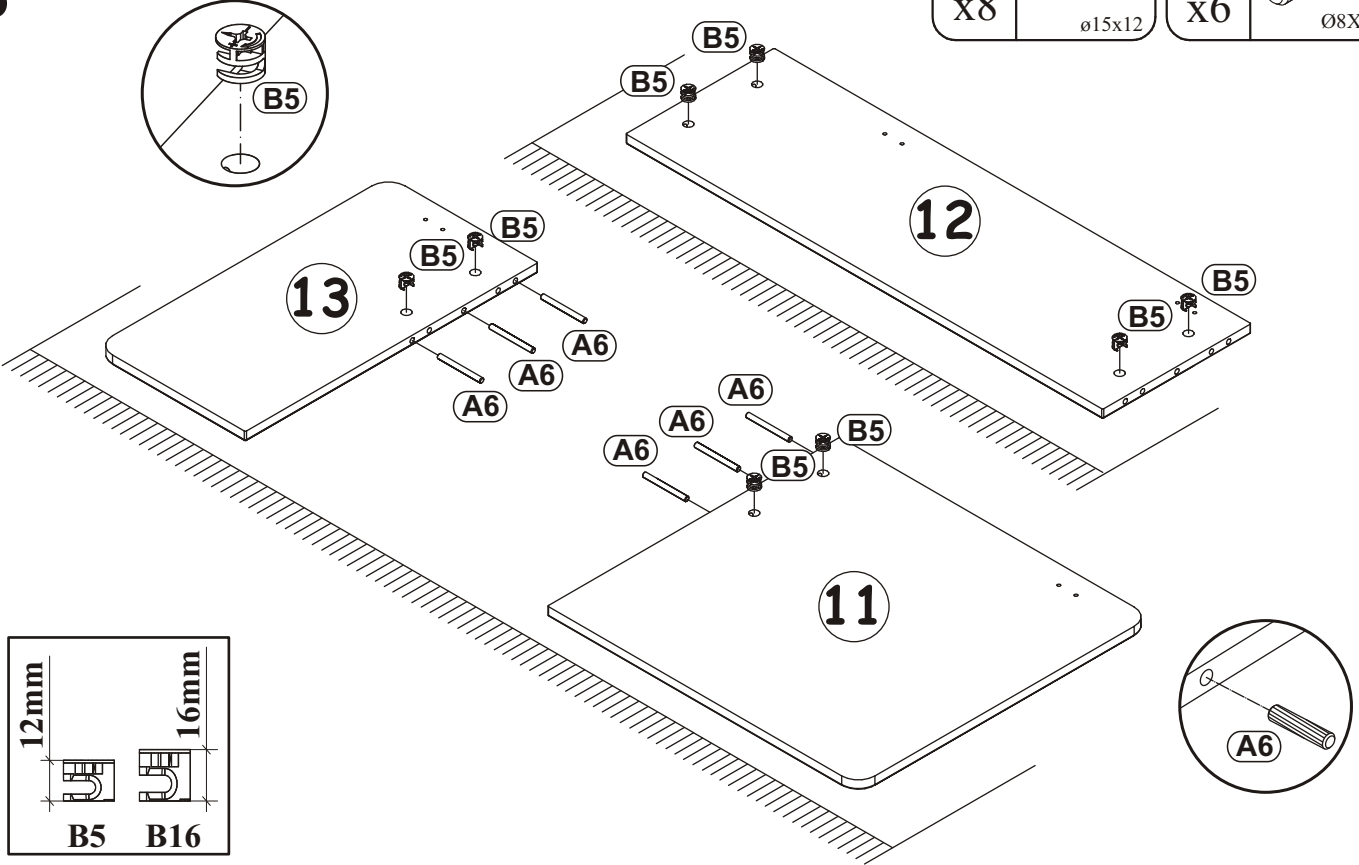
B4

x4


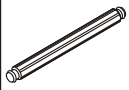


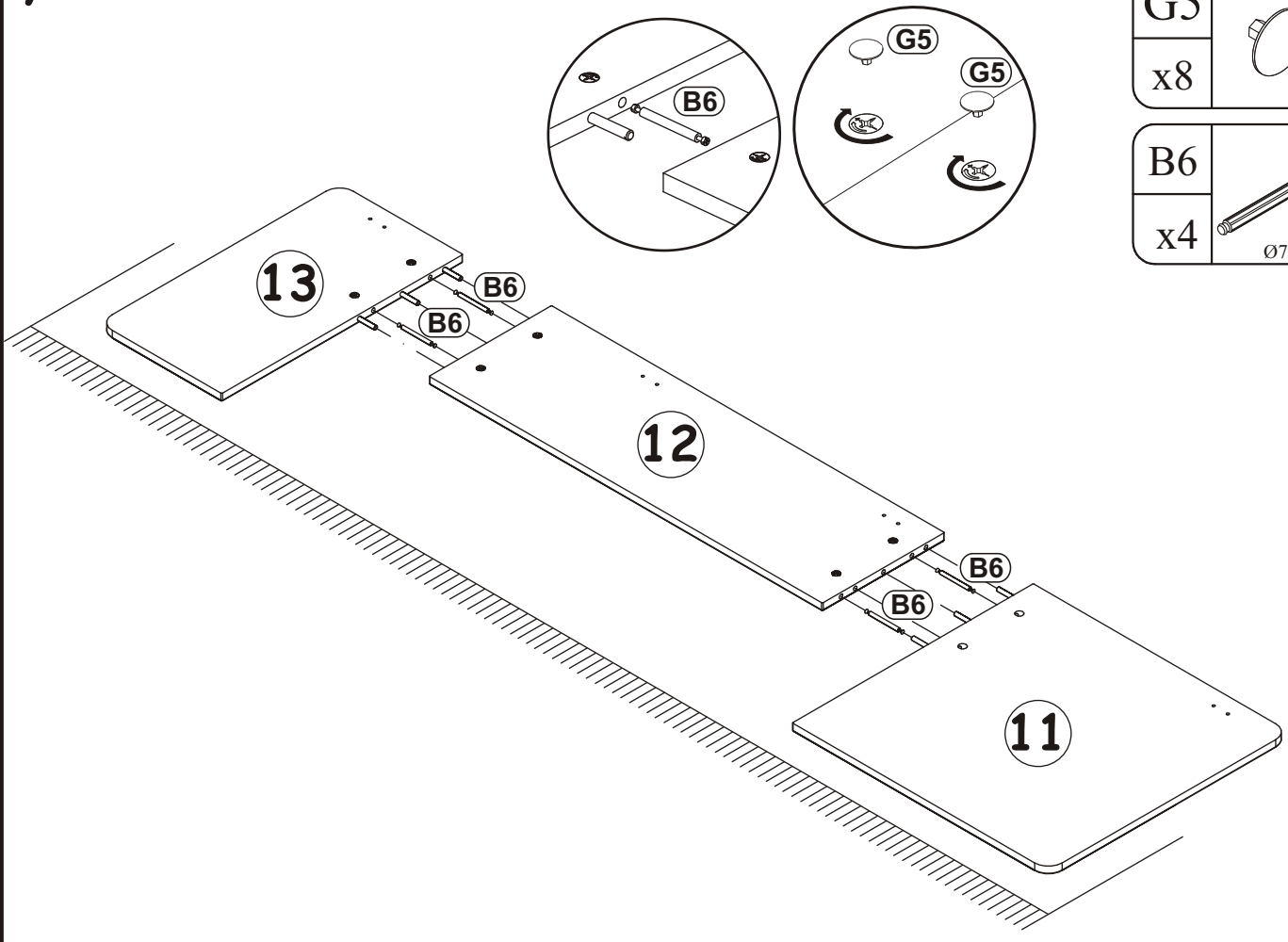
6

B5		A6	
x8	ø15x12	x6	Ø8X80

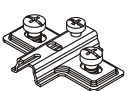


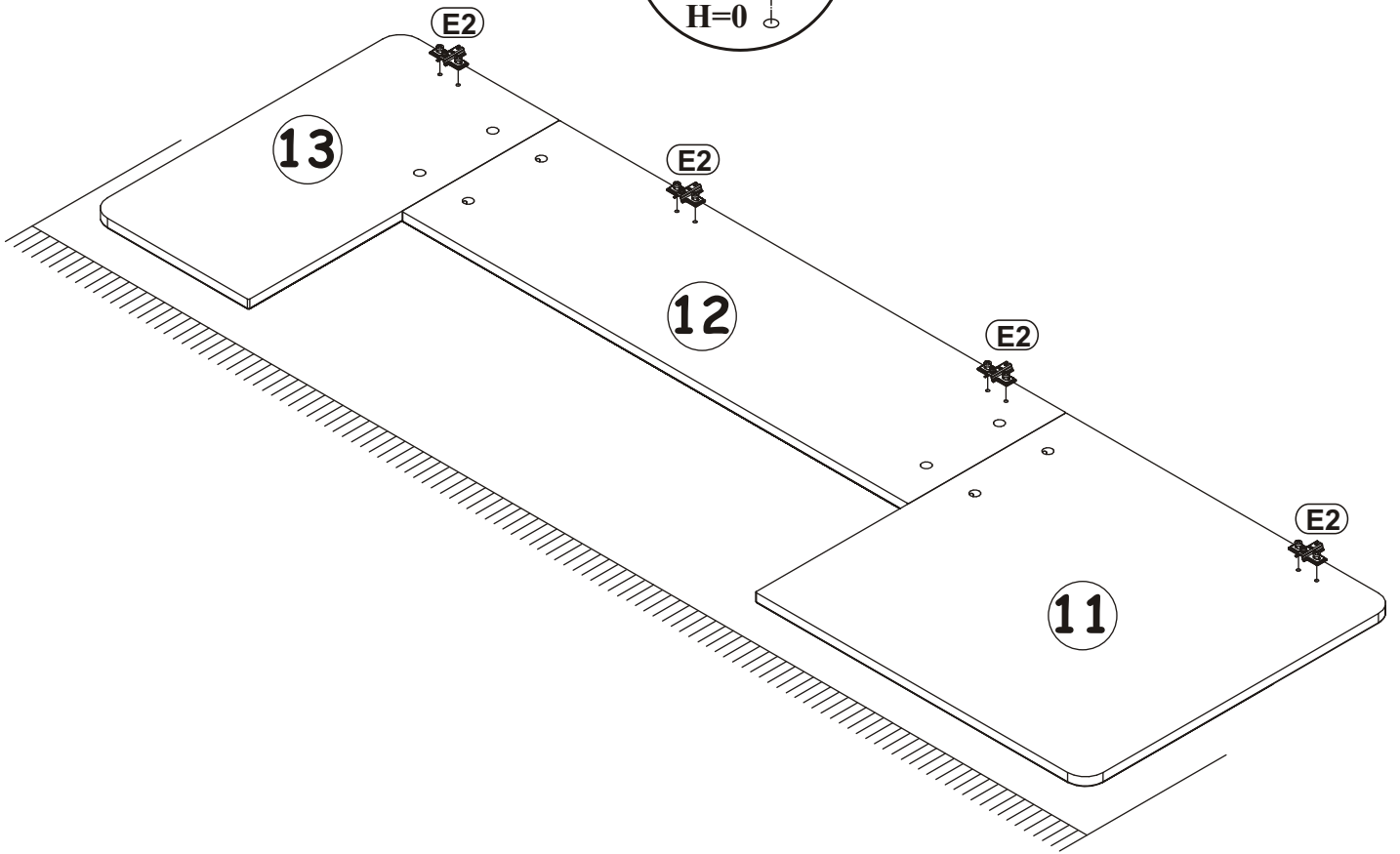
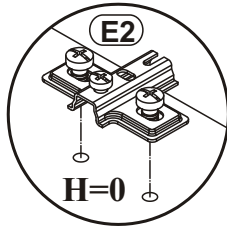
7

G5	
x8	
B6	
x4	Ø7x76

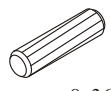
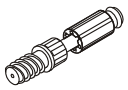


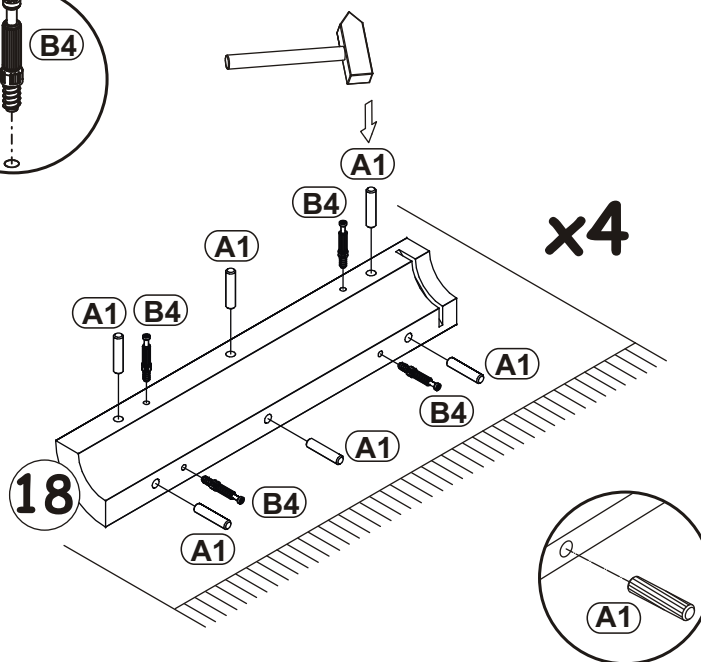
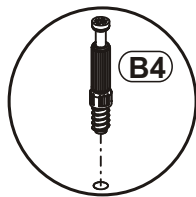
8

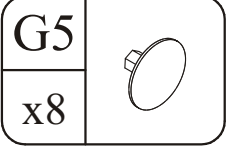
E2	
x4	H=0



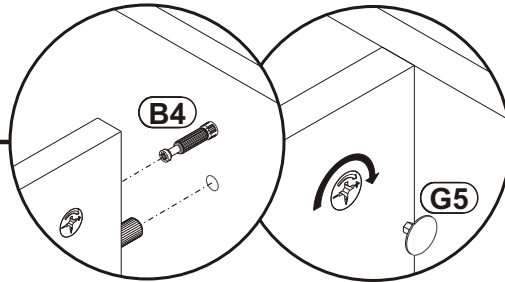
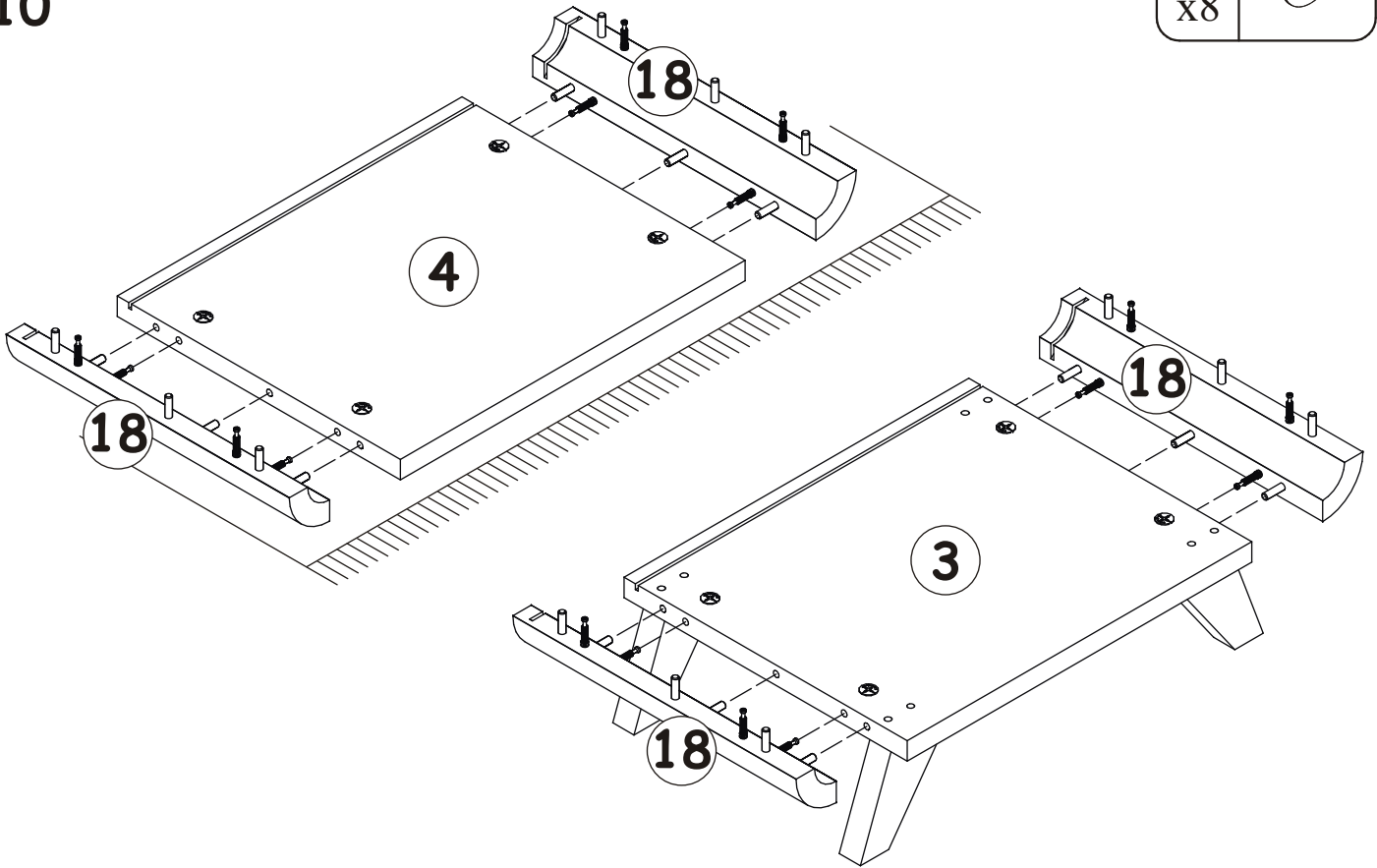
9

A1		B4	
x24	ø8x36	x16	

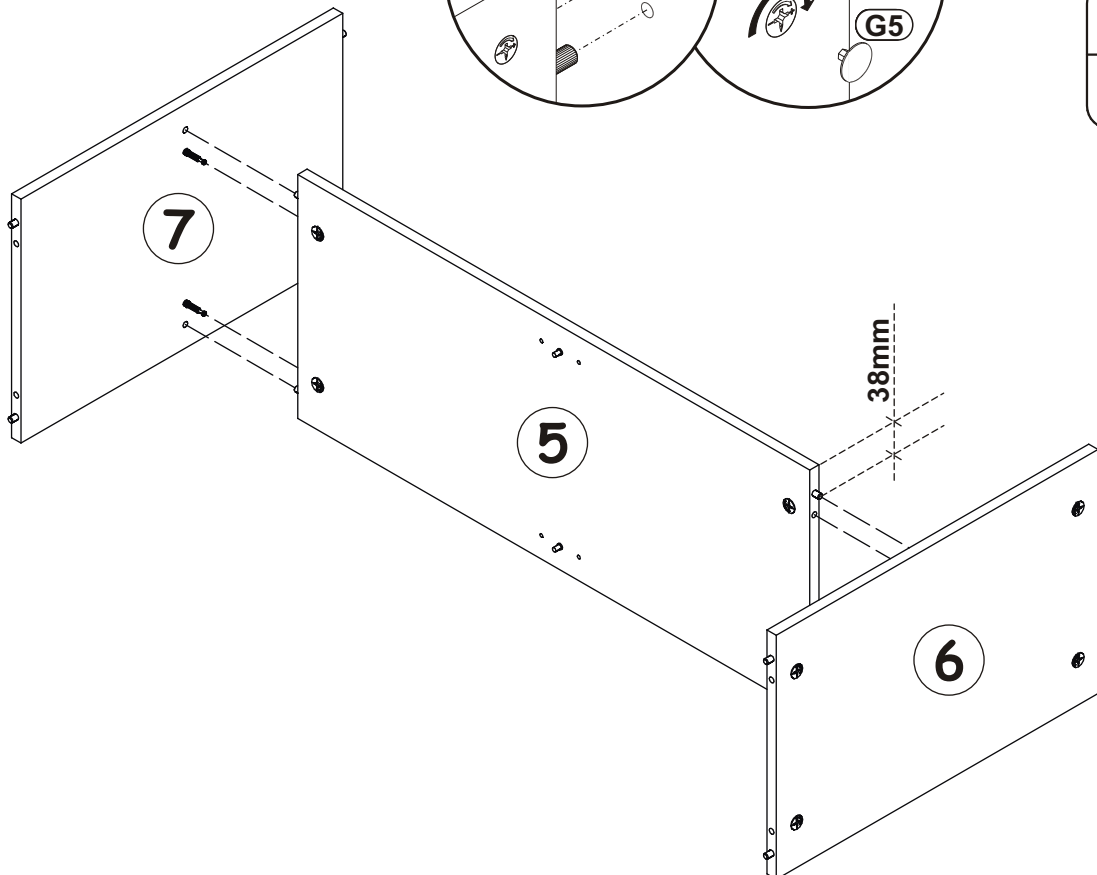
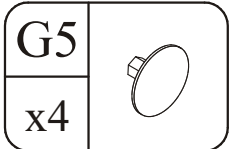





10

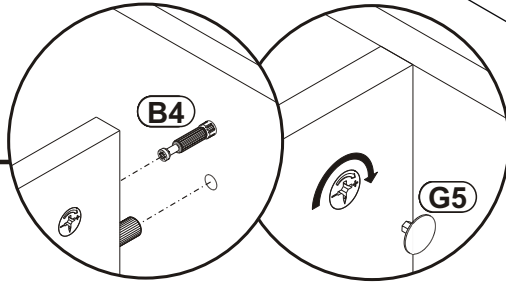
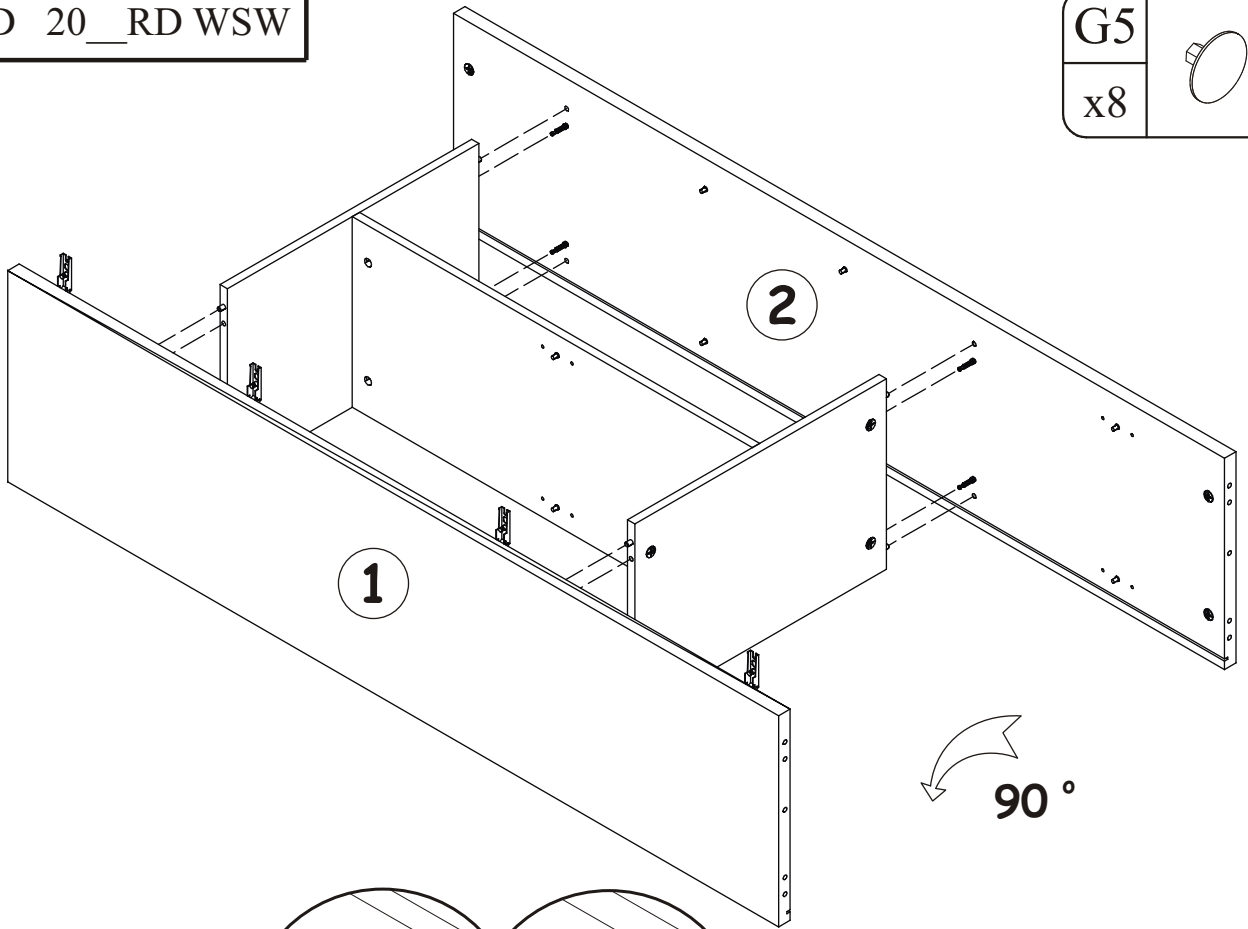


11




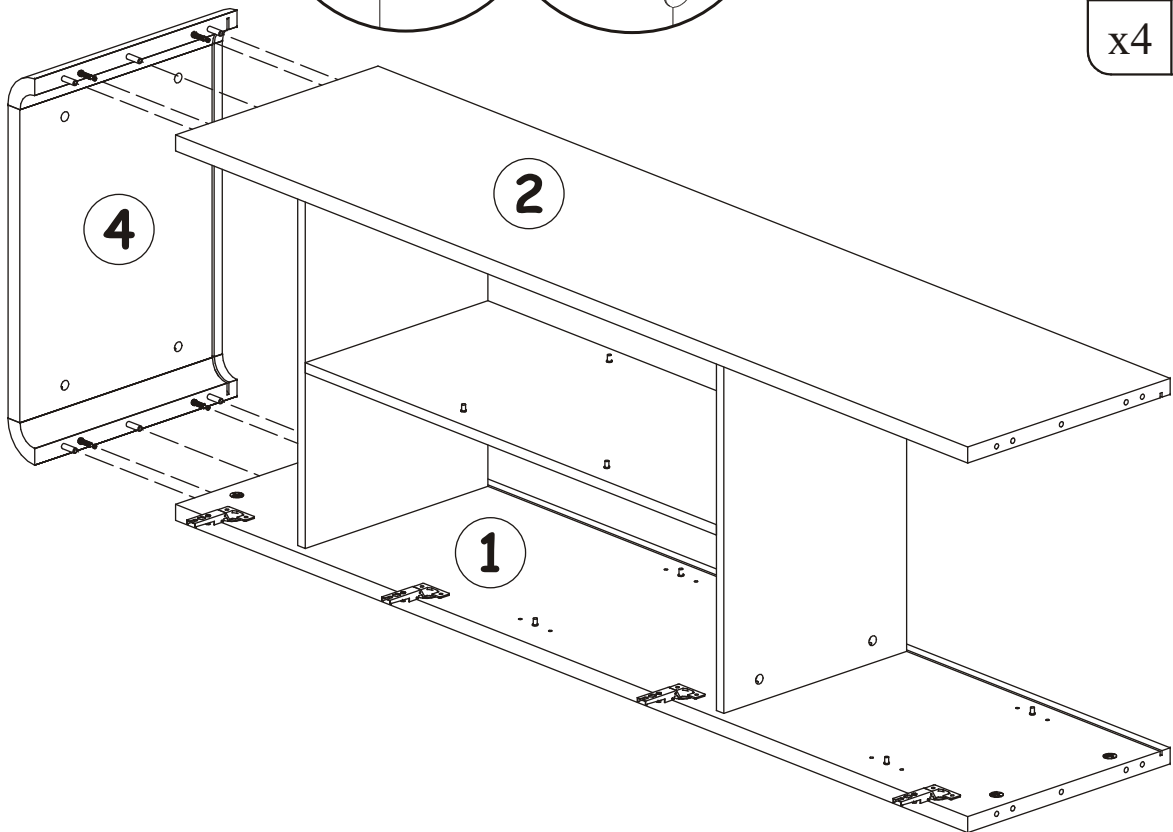
12

G5	
x8	




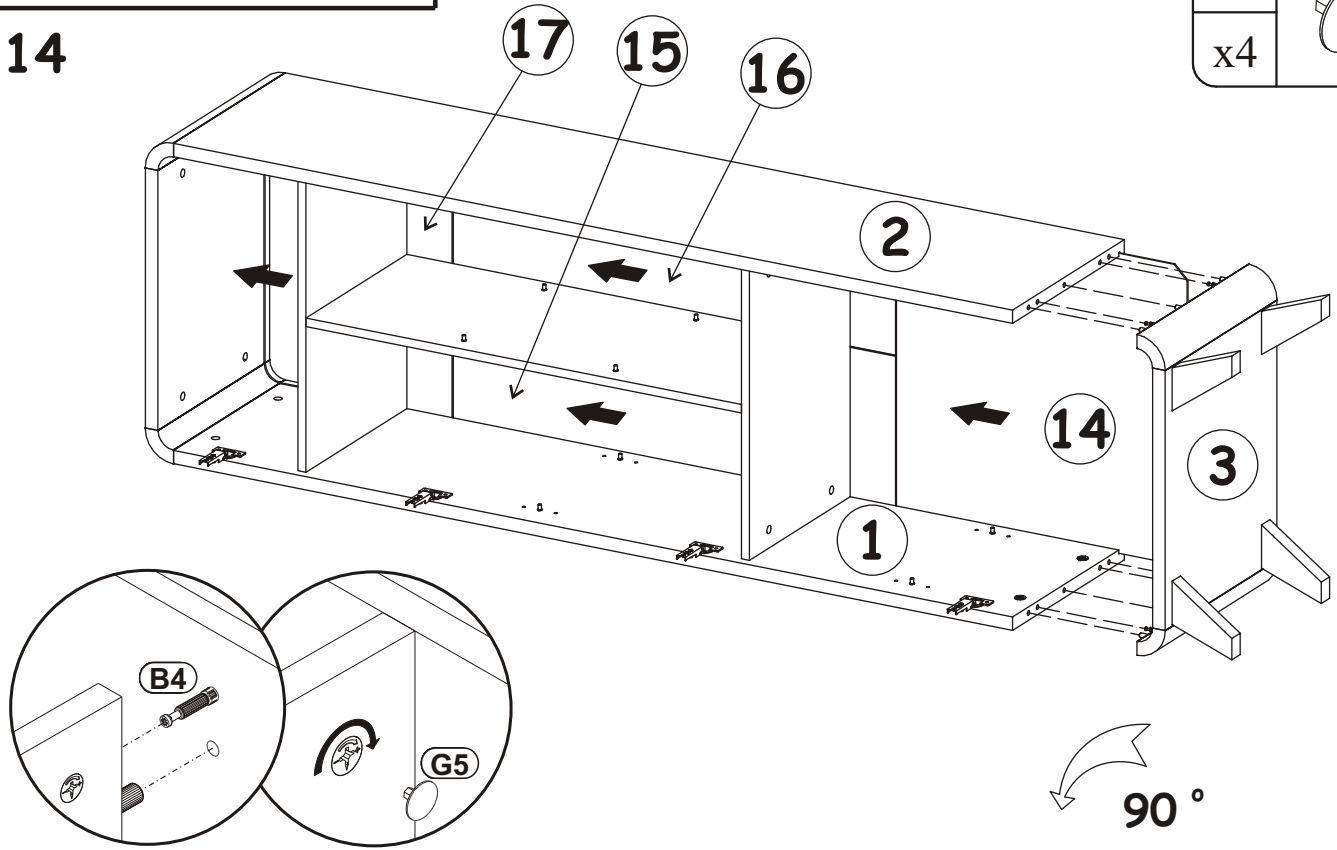
13

G5	
x4	




14

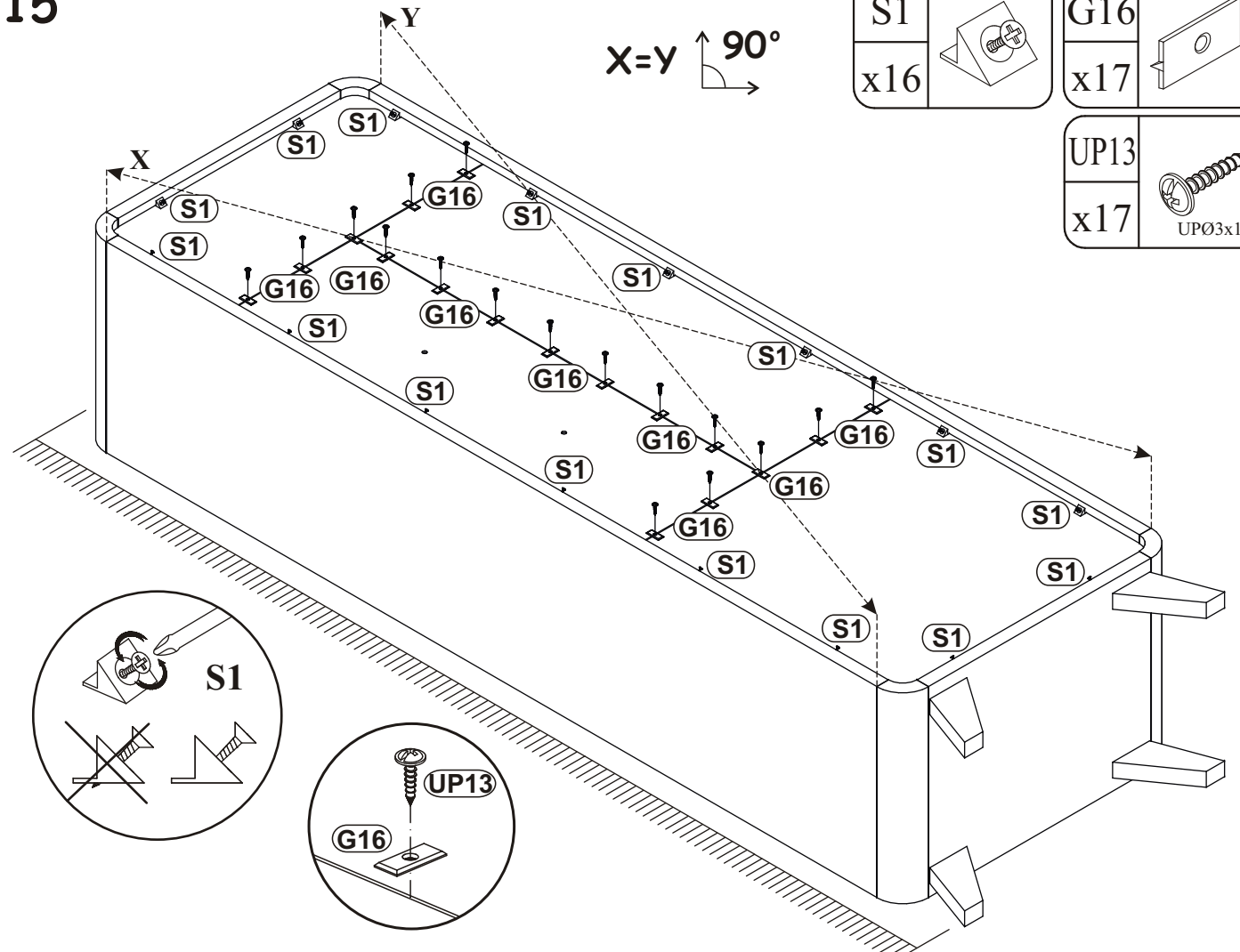
G5	
x4	



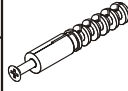
15

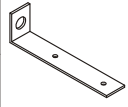
S1		G16	
x16		x17	


UP13	
x17	UPØ3x16

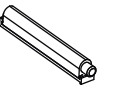


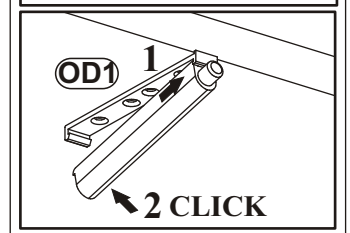
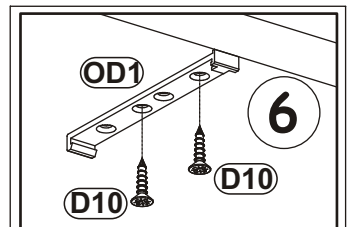
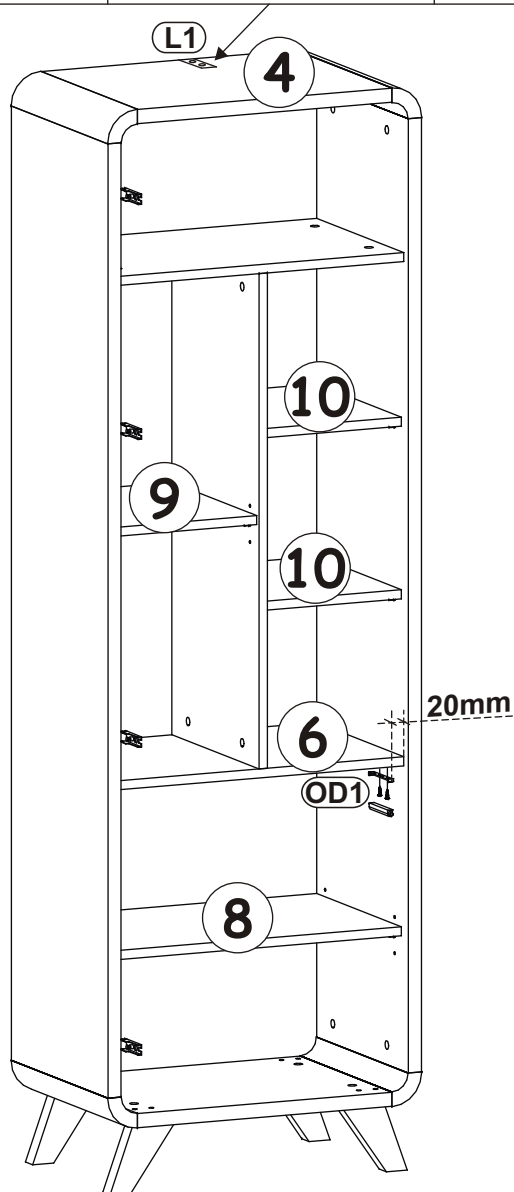
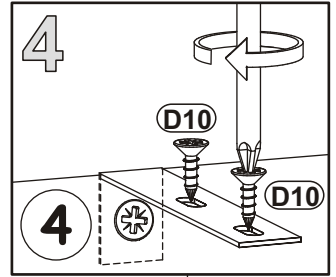
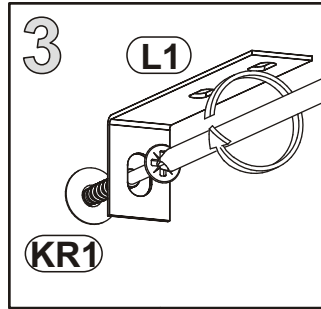
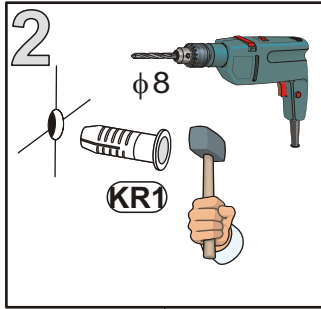
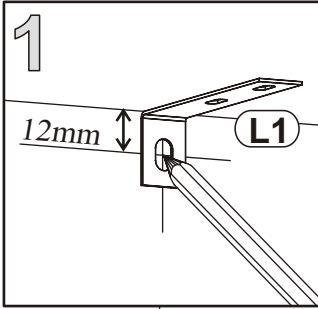
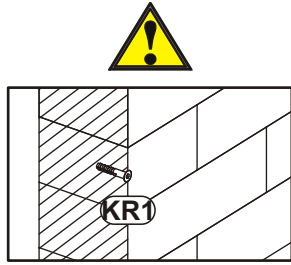
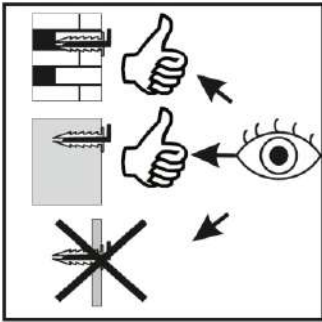
16

KR1	
x1	

L1	
x1	

D10	
x4	USØ3,5x13

OD1	
x1	



17

