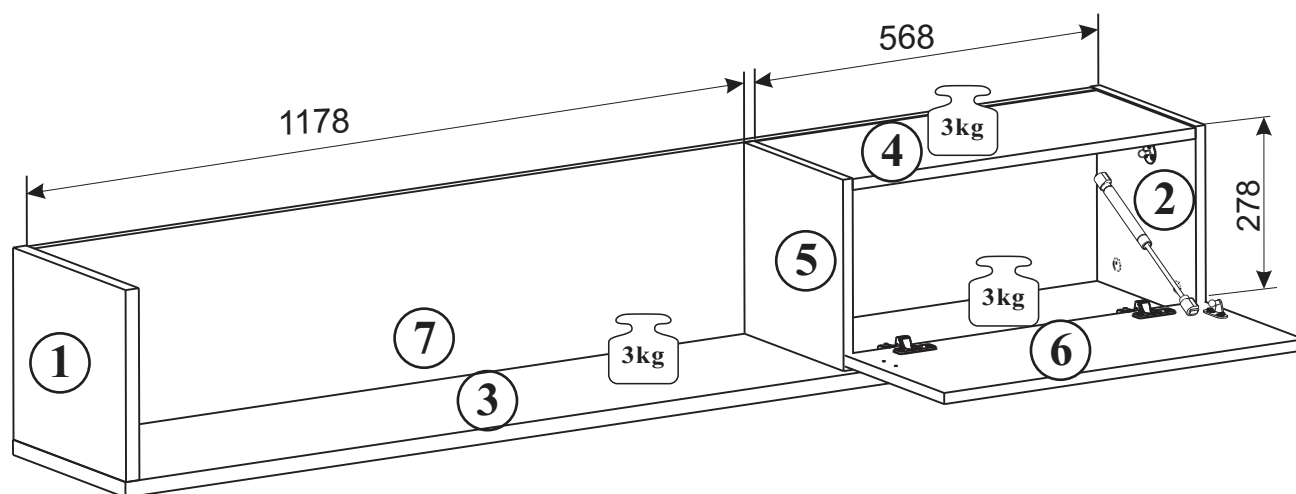
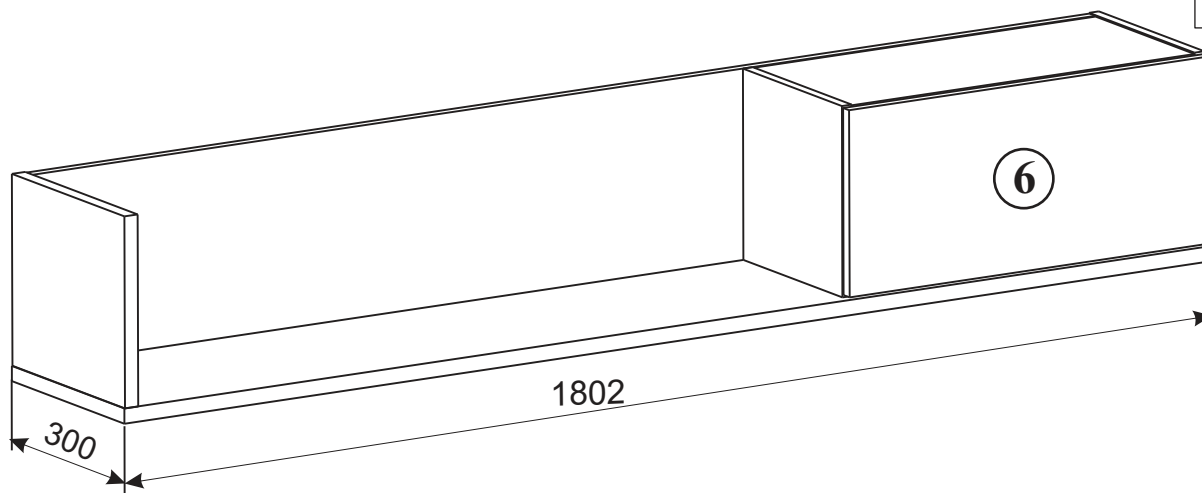
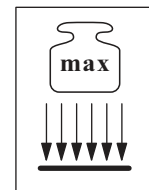
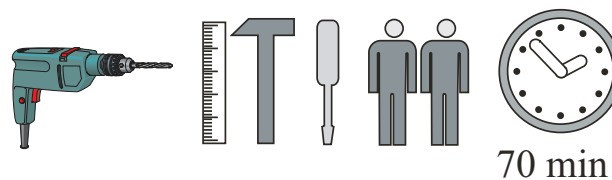


DALLAS- PANEL ___ DL



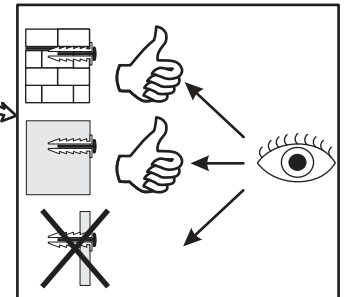
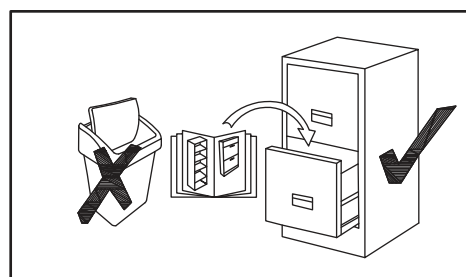
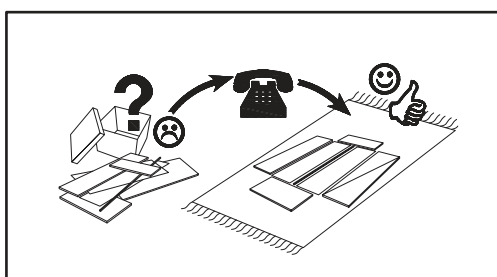
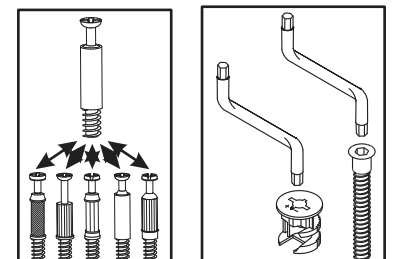
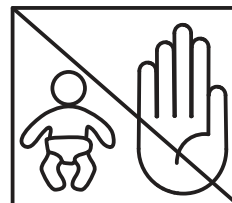
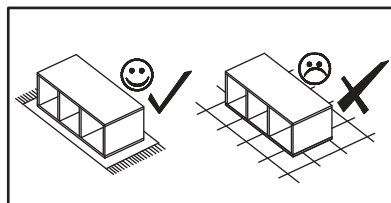
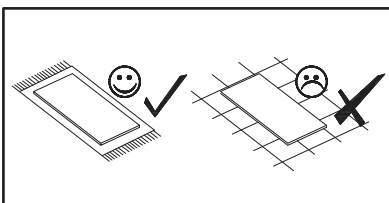
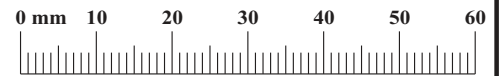
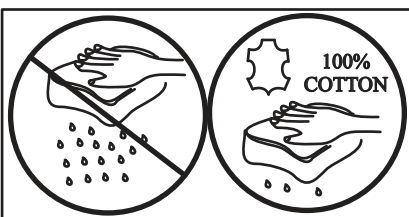
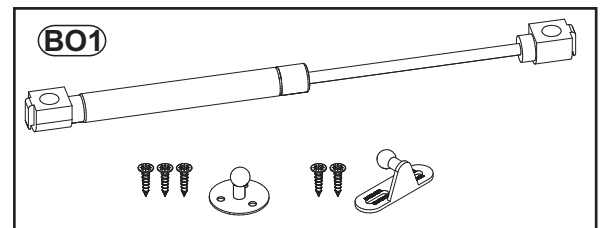
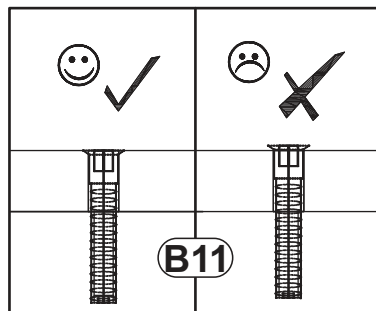
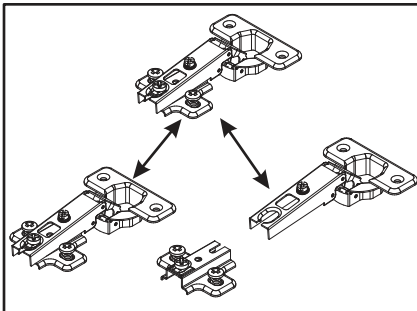
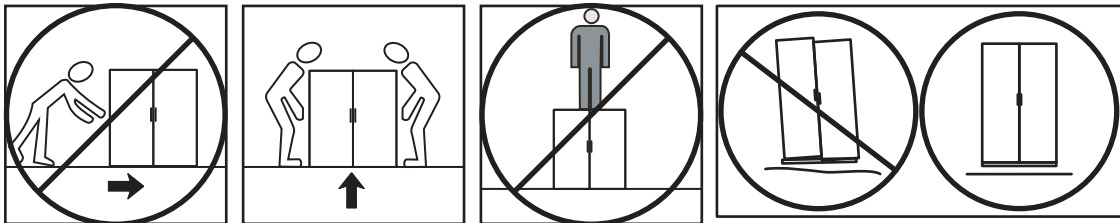
NO	DIM.			COL.-NO	QTY
1	278	300	22	1/1	1
2	278	281	16	1/1	1
3	1802	300	22	1/1	1
4	568	264	16	1/1	1
5	277	264	16	1/1	1
6	596	271	16	1/1	1
7	1762	277	16	1/1	1



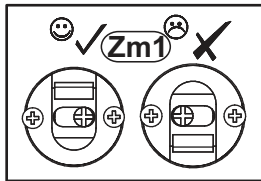
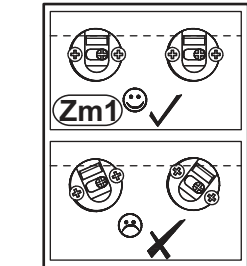
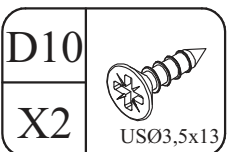
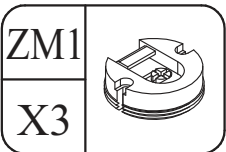
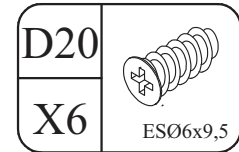
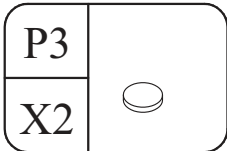
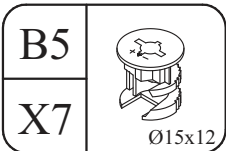
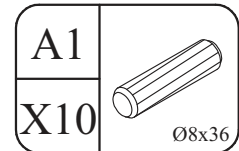
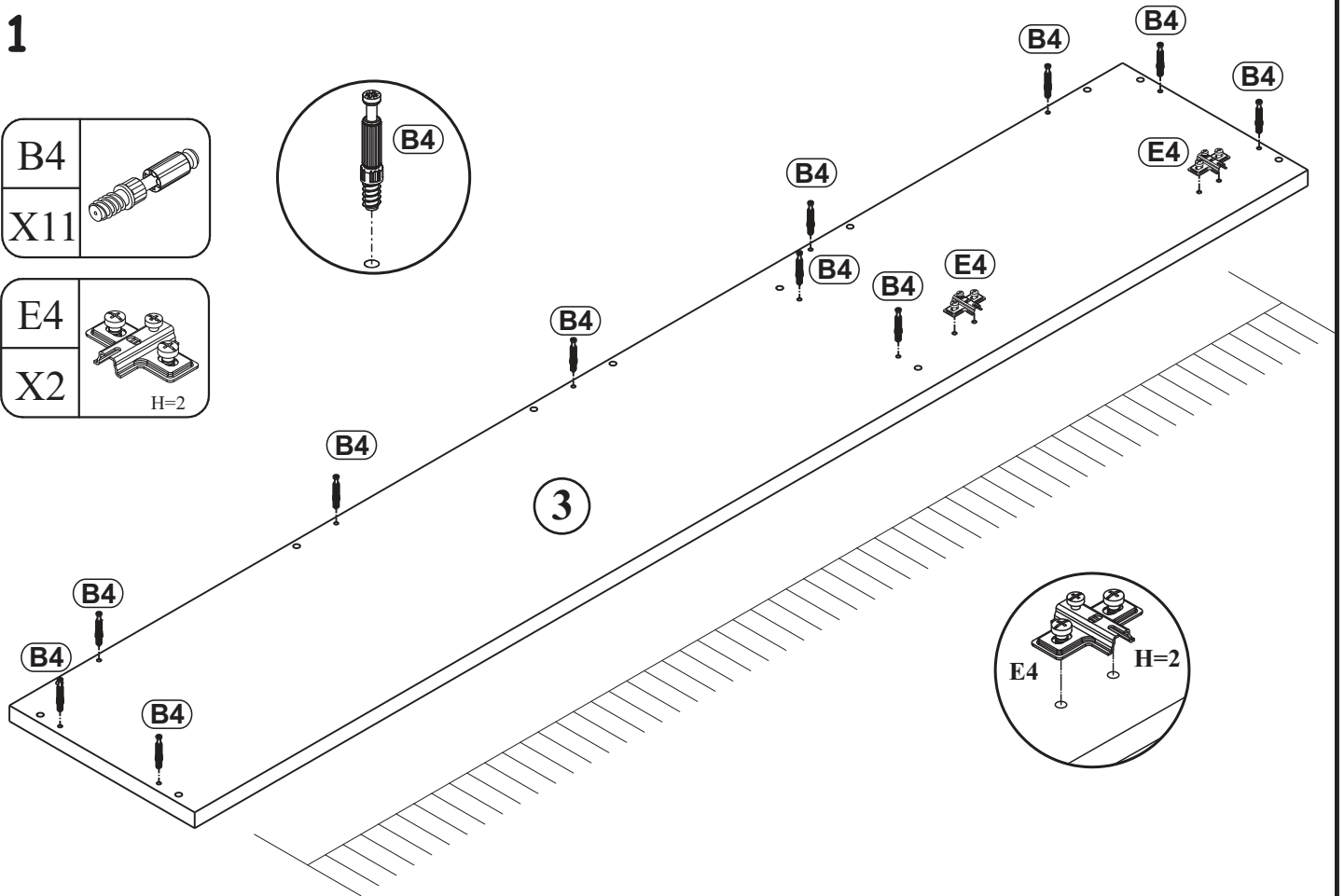
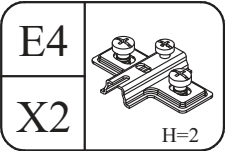
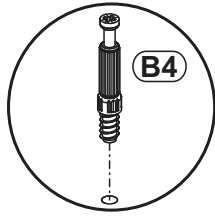
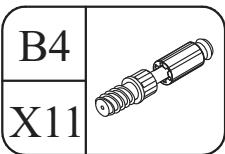
70 min

MAZE - RTV I

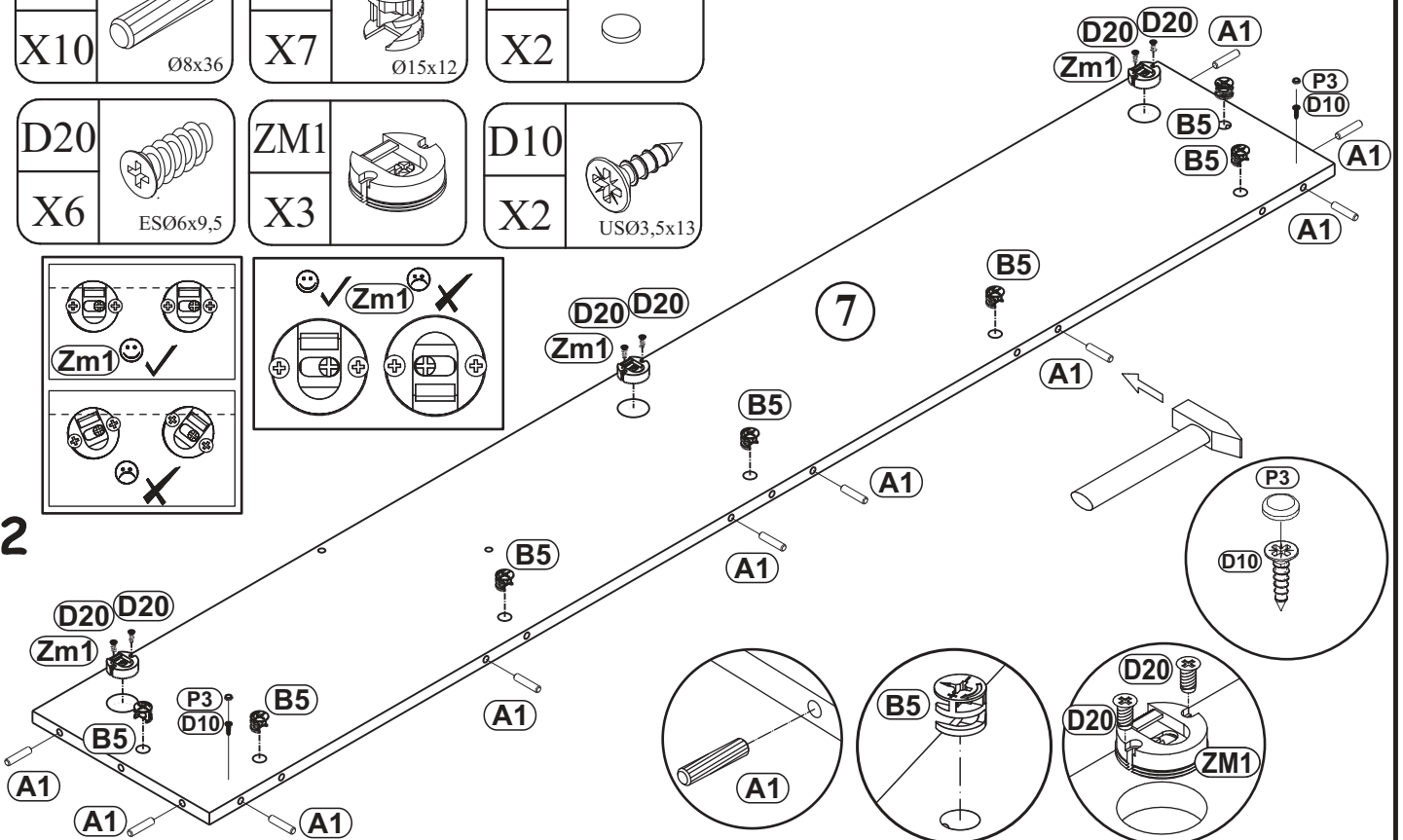
A1 X22 Ø8x36	B4 X17 34	B5 X17 Ø15x12	G5 X17	G2 x1	P3 X2
D20 X6 ESØ6x9,5	ZM1 X3	KR3 X3 Ø10	B11 X3 Ø7x50	G4 X3 c	D10 X10 USØ3,5x13
E4 X2 H=2	E25 X2 Ø35 H=16	BO1 x1 OLEJOWY	D7 X3 USØ3x16	T3/T5 X1	



1




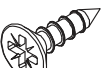
2

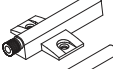
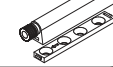


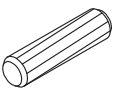
MAZE - RTV I

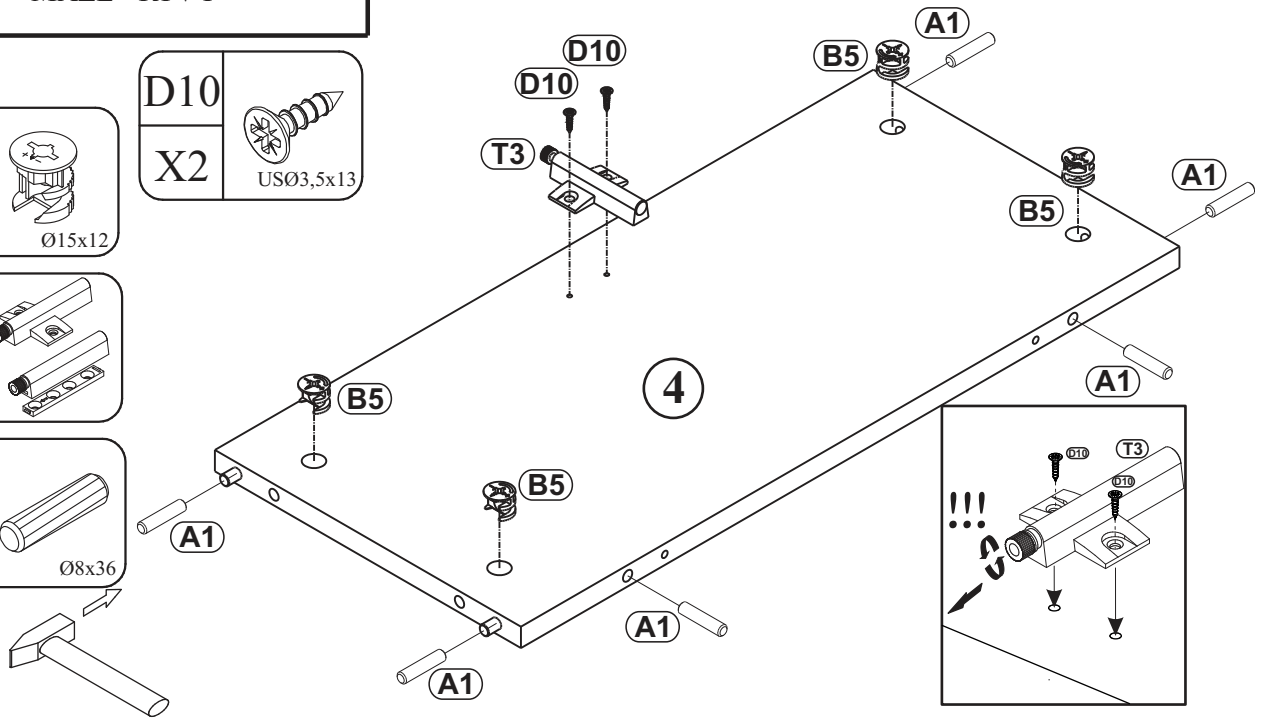
3

B5	
X4	Ø15x12

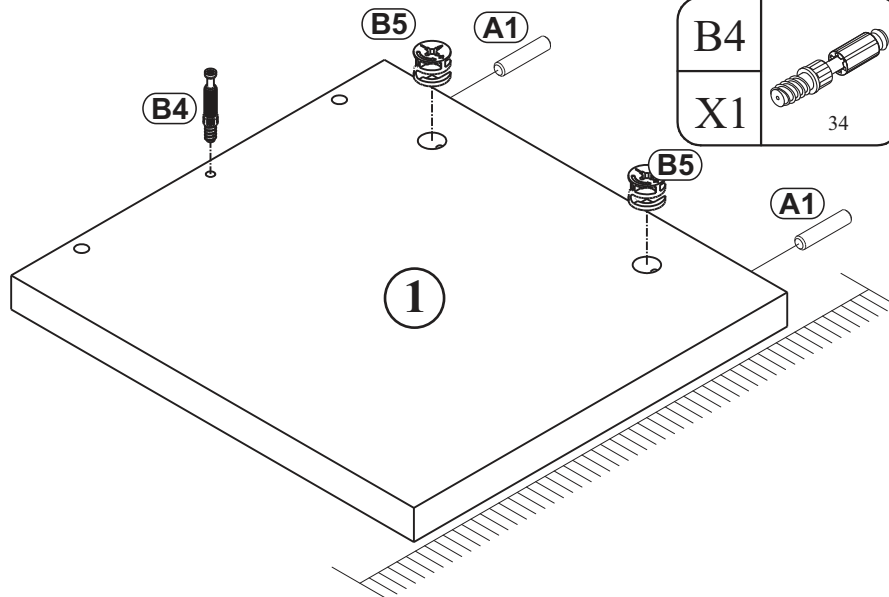
D10	
X2	USØ3,5x13

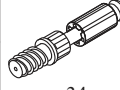
T3/T5	
X1	


A1	
X6	Ø8x36




4

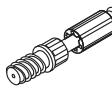


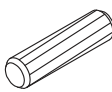
B4	
X1	34

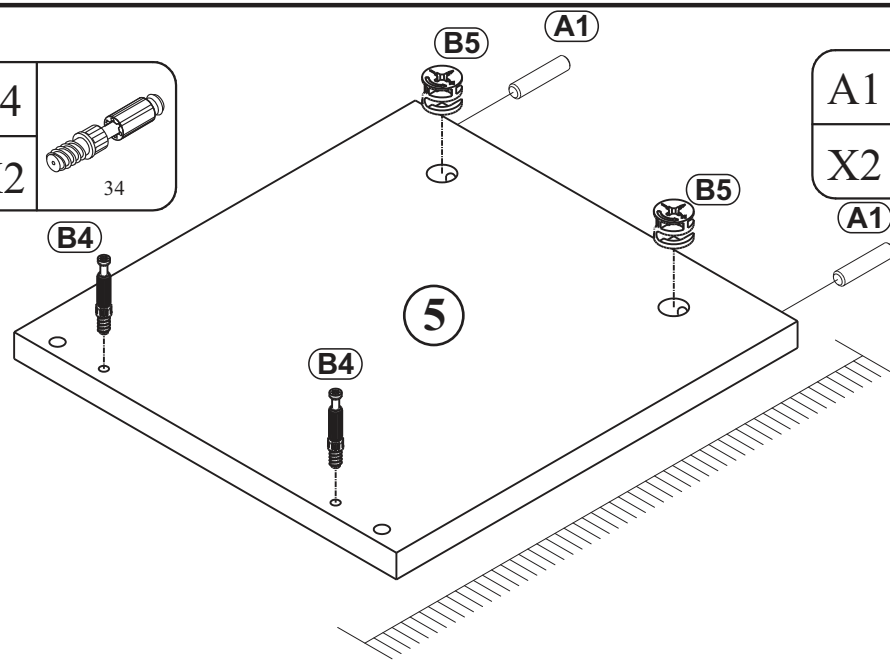
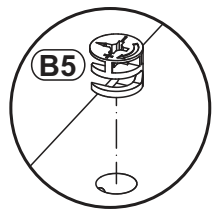
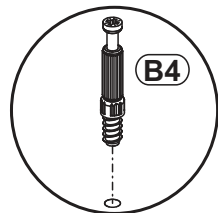
B5	
X2	Ø15x12

5

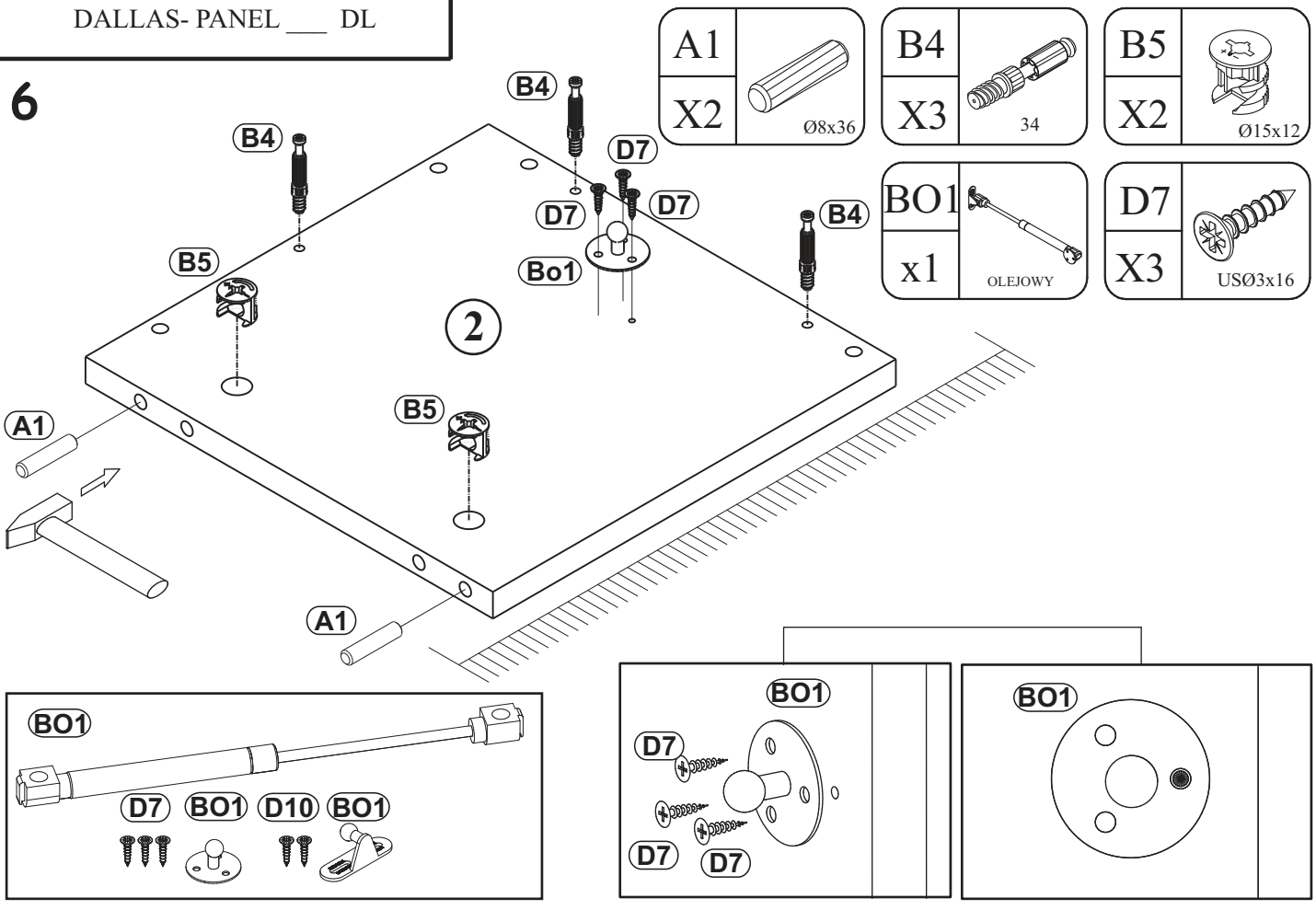
B5	
X2	Ø15x12

B4	
X2	34

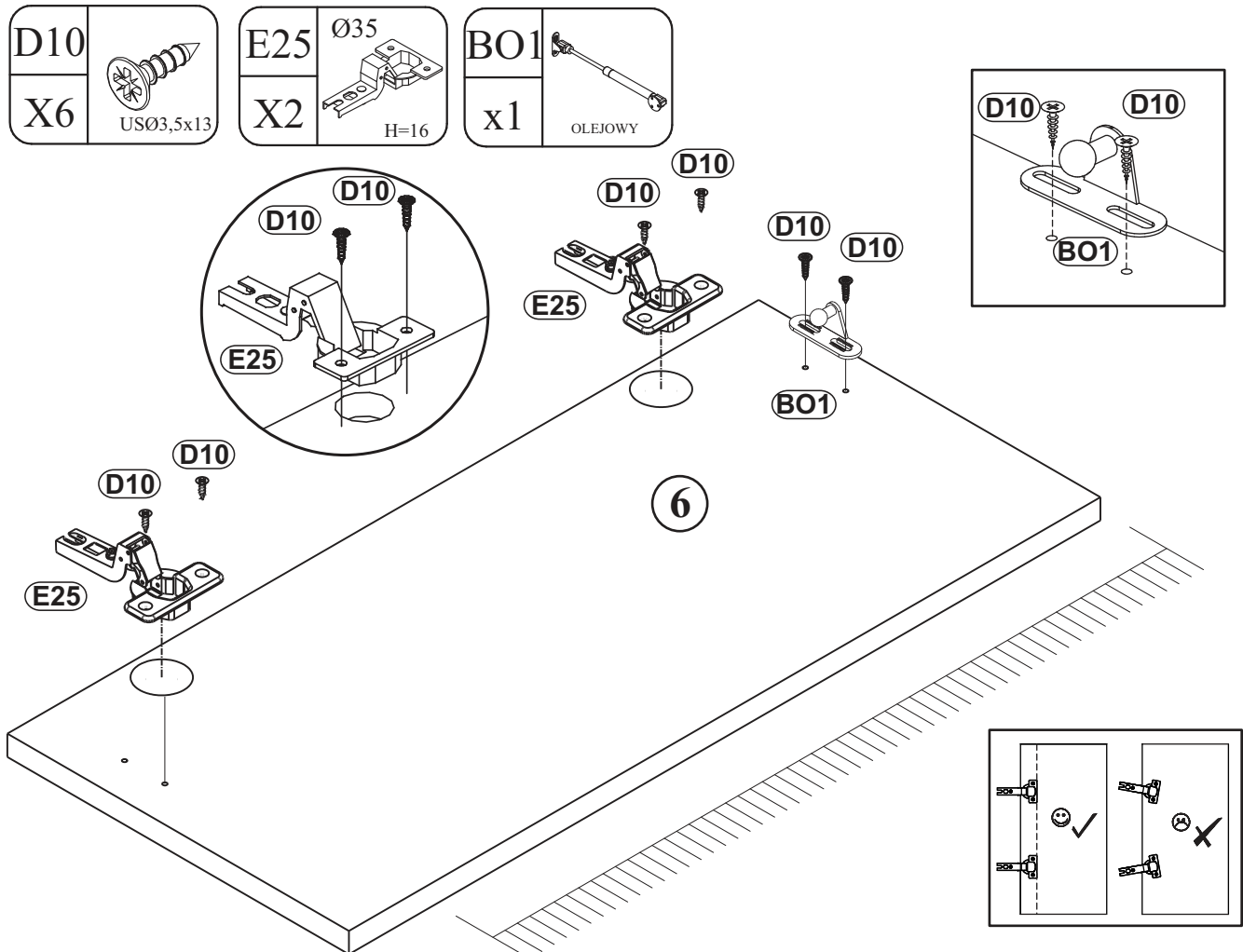
A1	
X2	Ø8x36




6

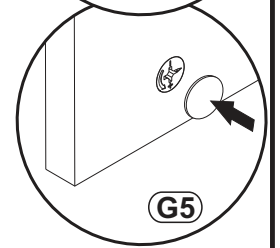
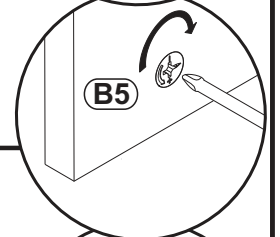
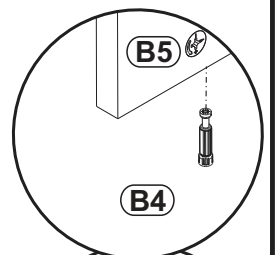
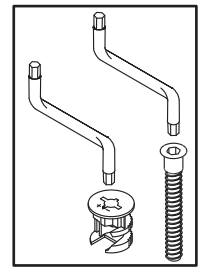
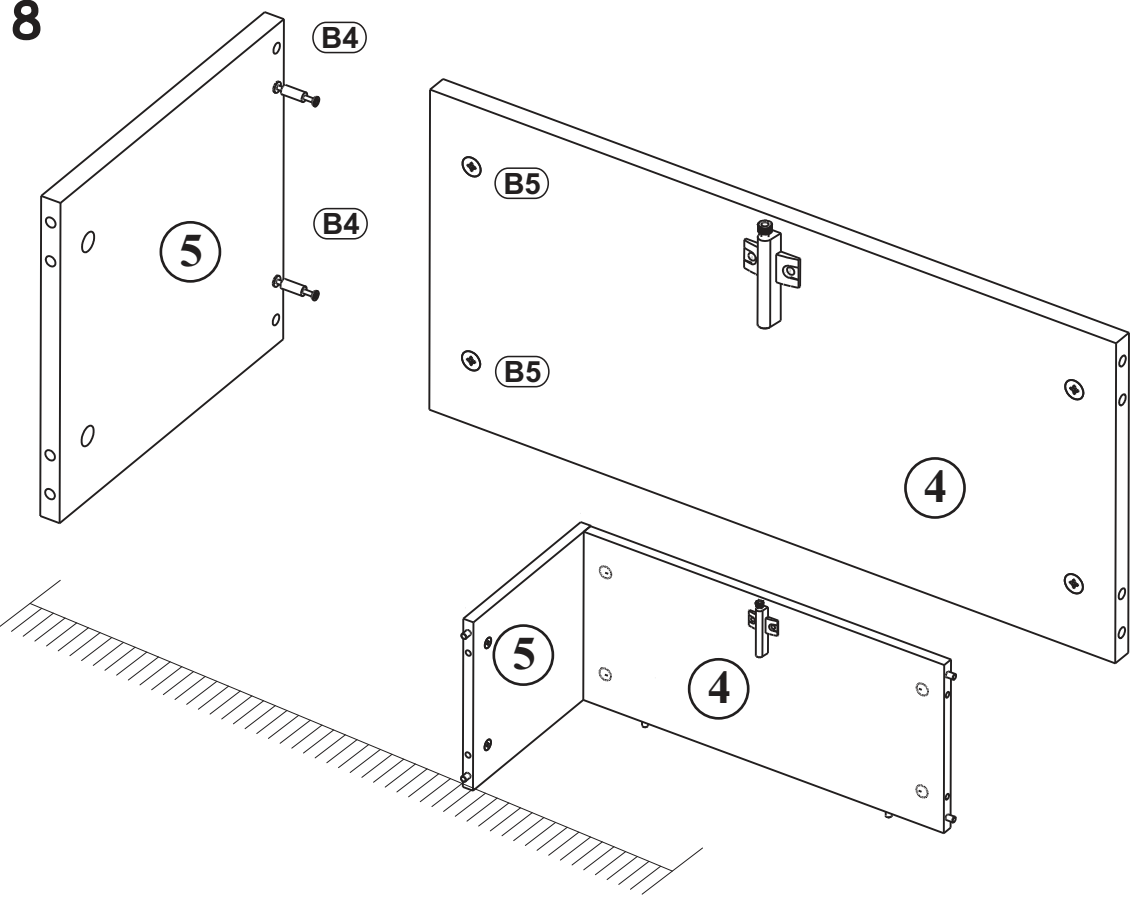


7




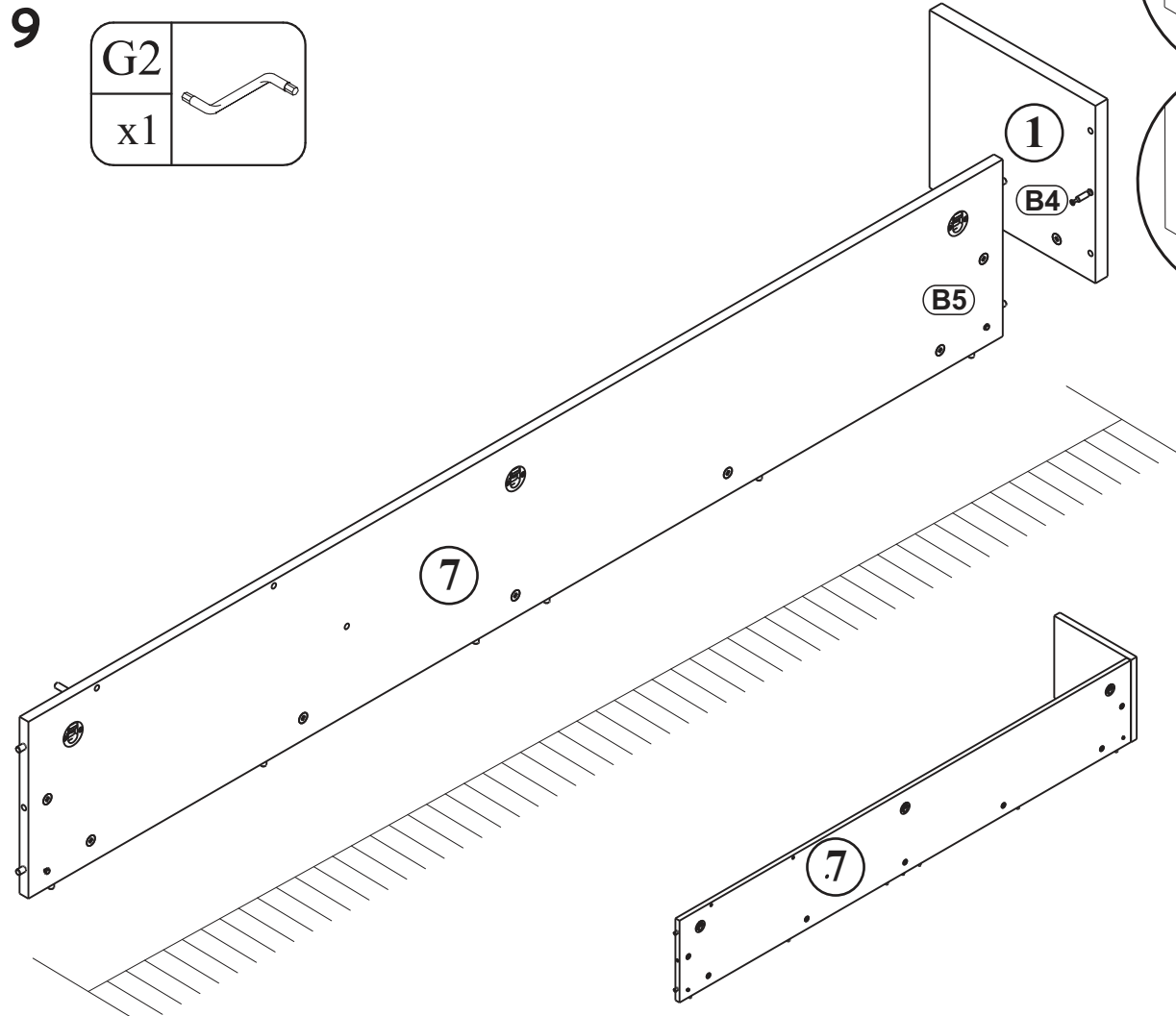
8

G2	
x1	

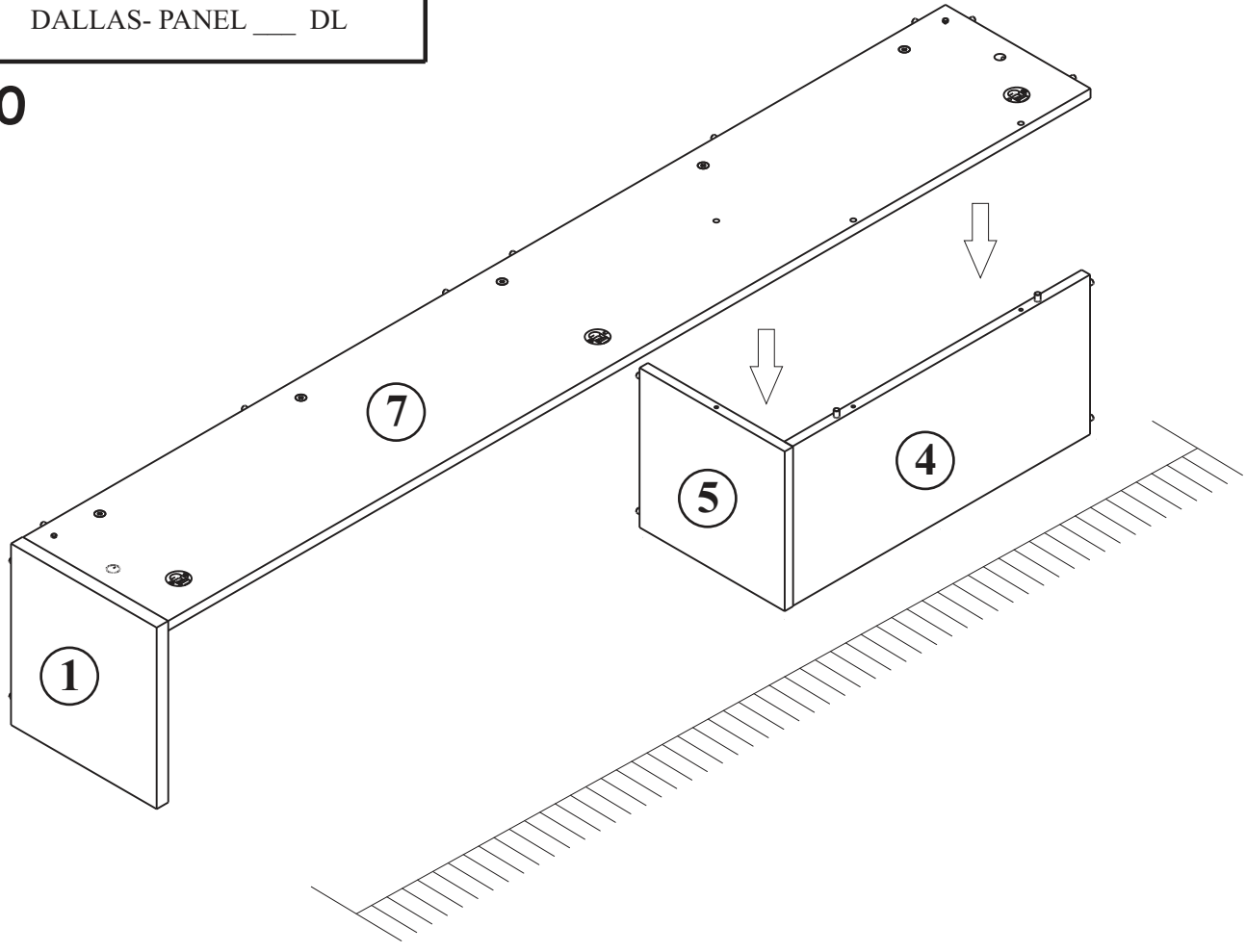


9

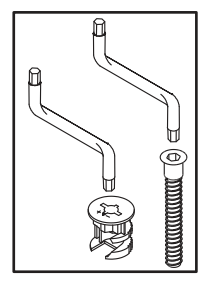
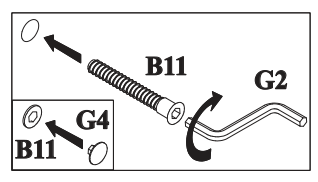
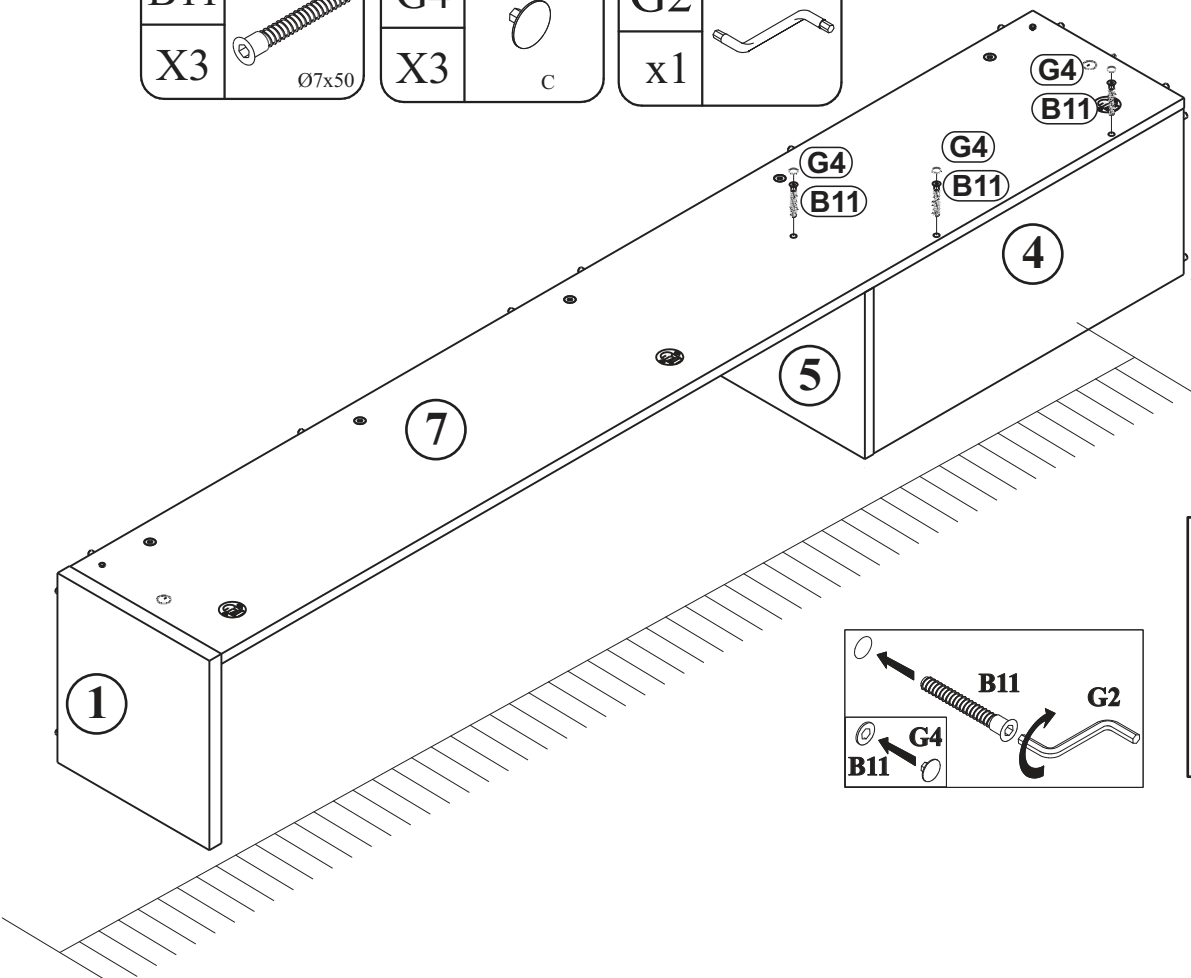
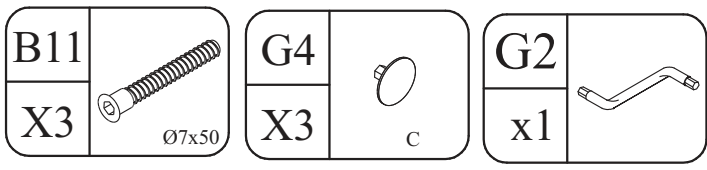
G2	
x1	



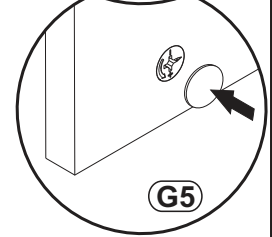
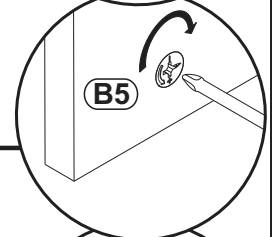
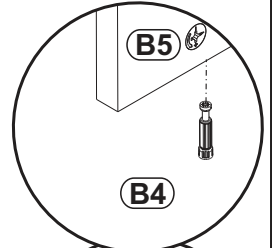
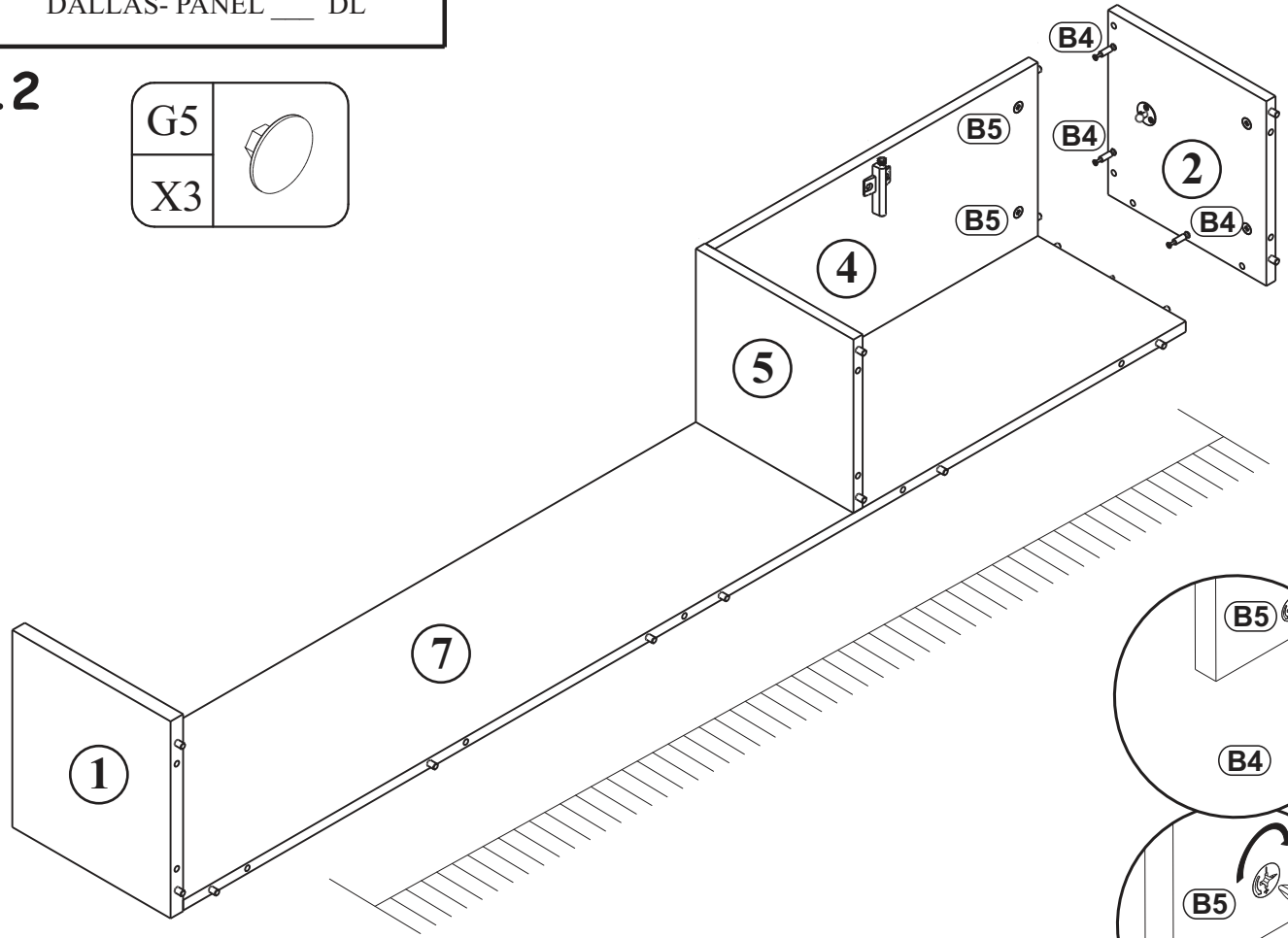
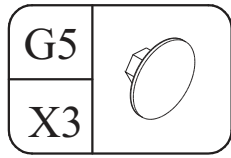
10



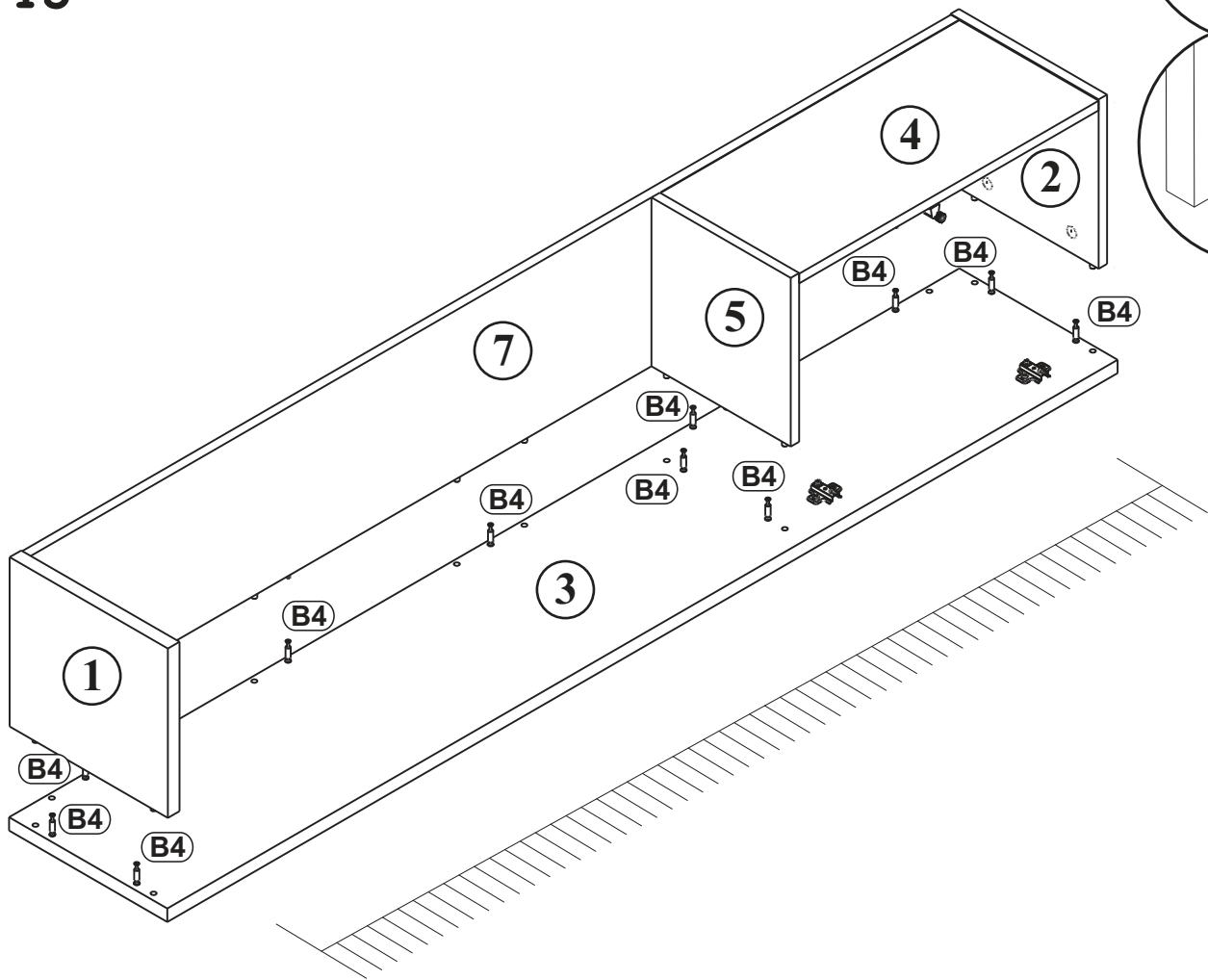
11



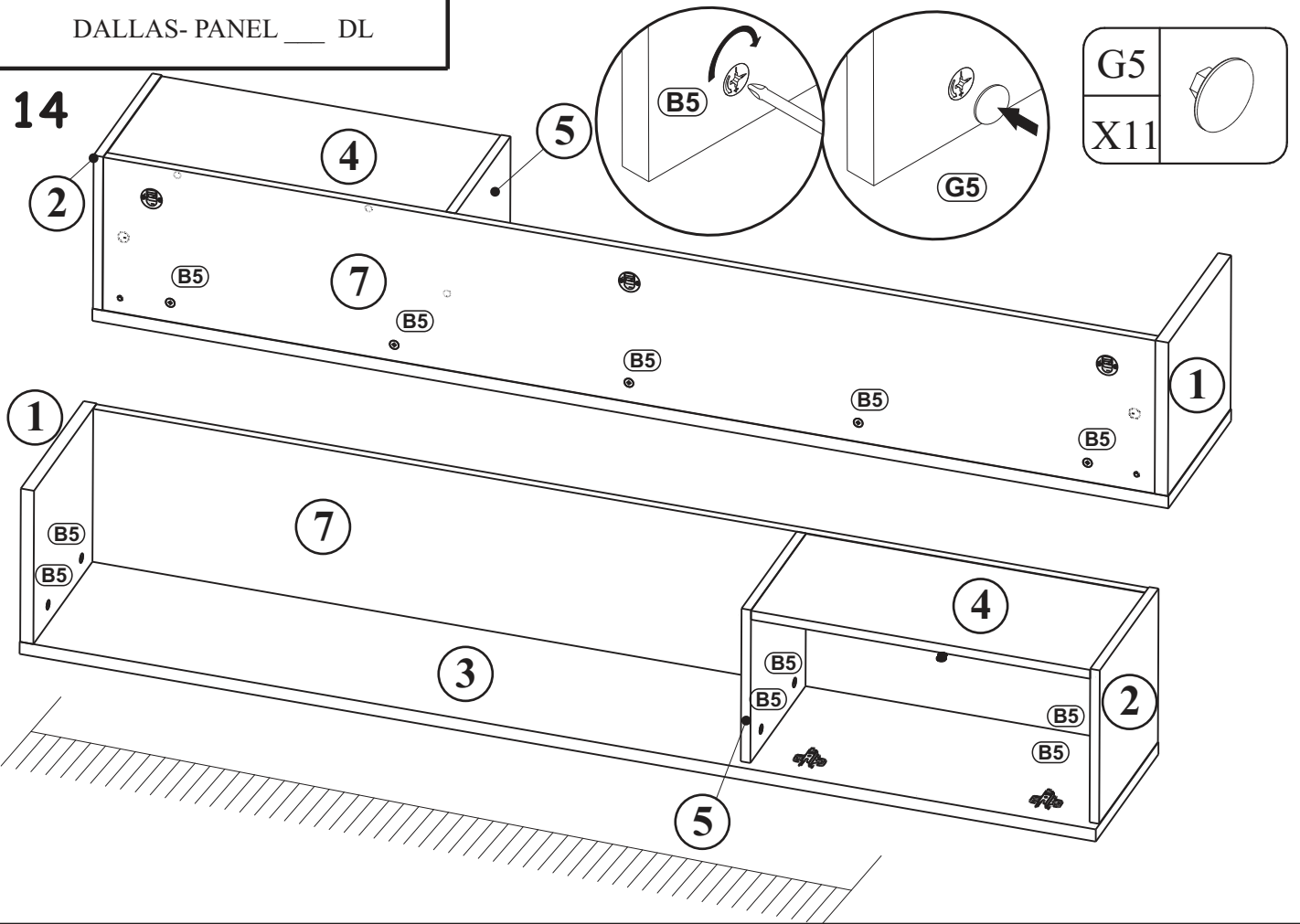
12



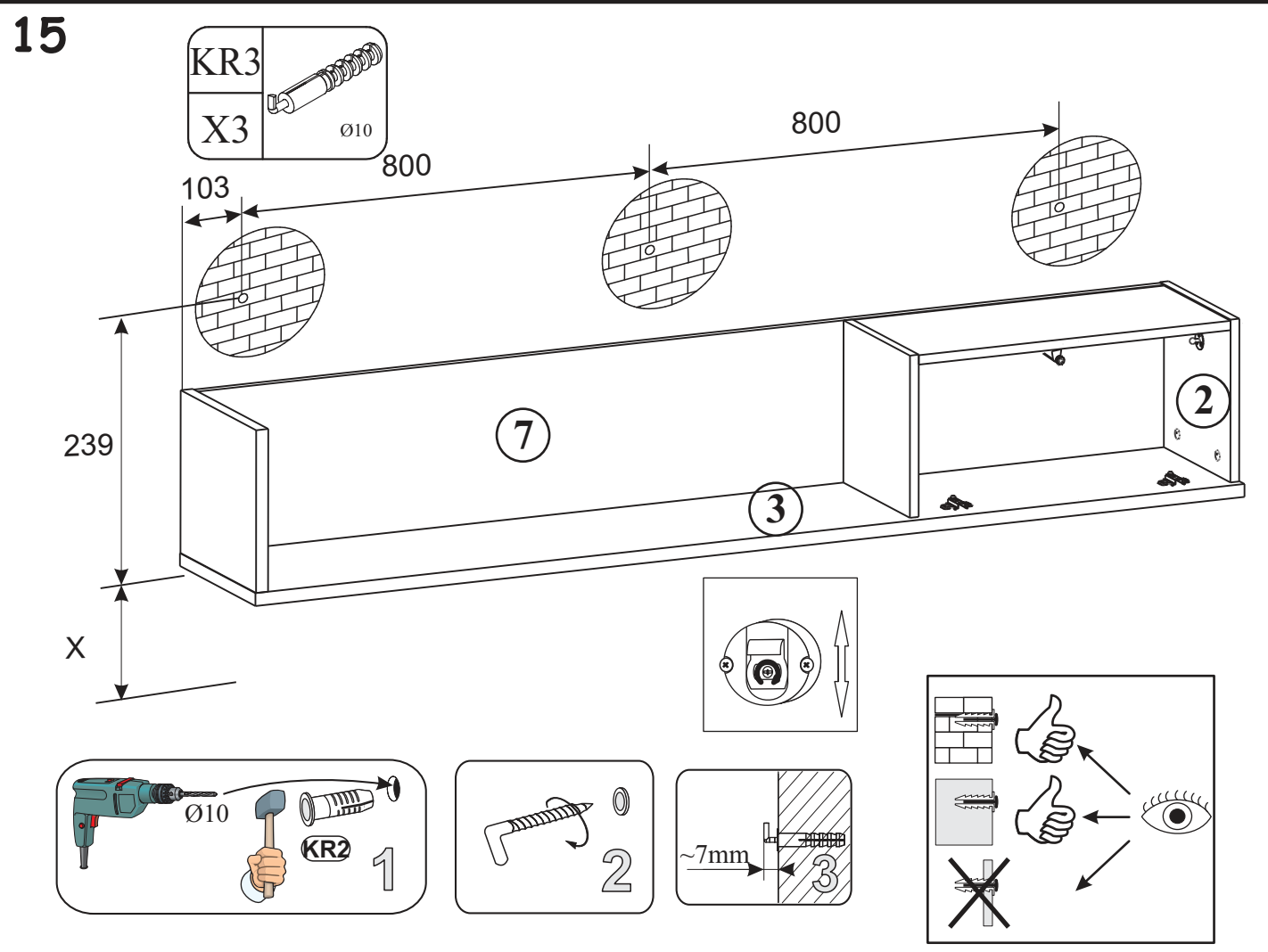
13



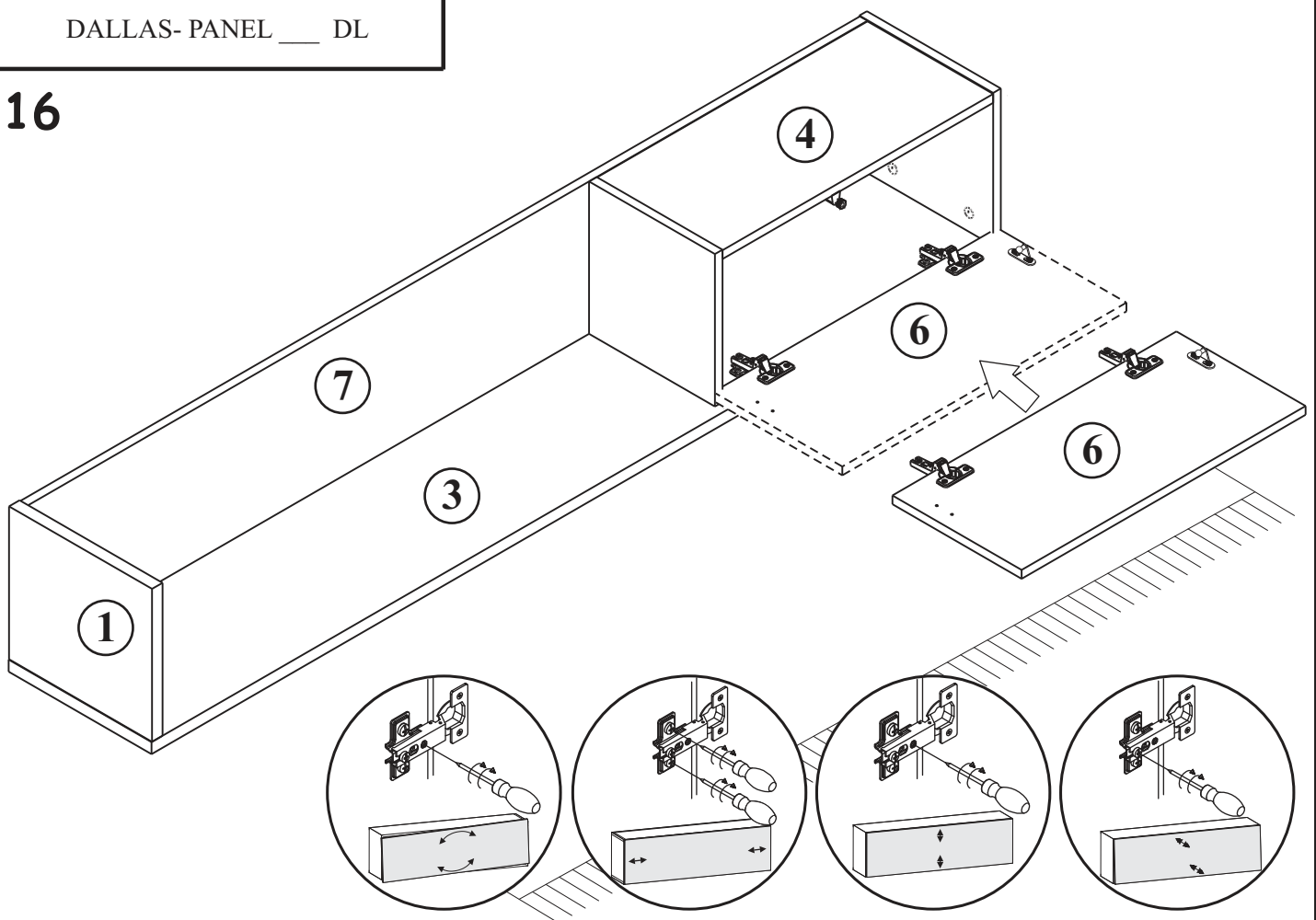
14



15



16



17

