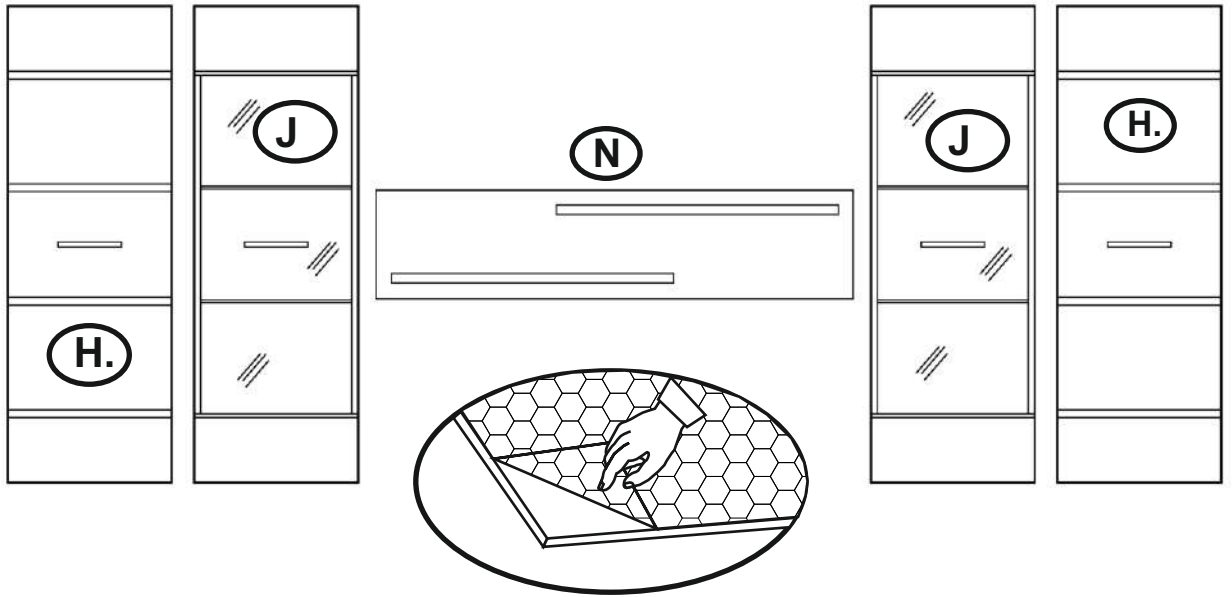
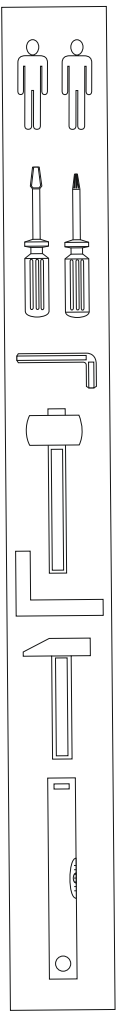
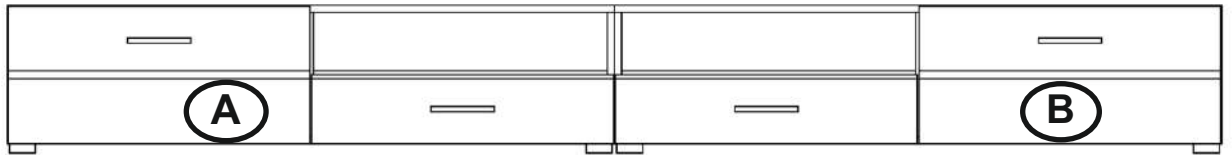
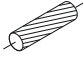
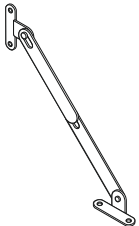

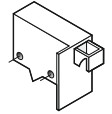
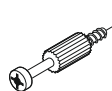

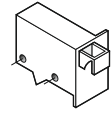
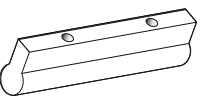
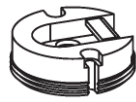





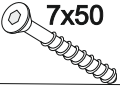
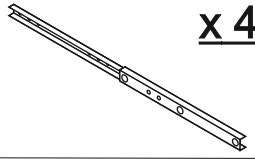
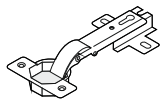

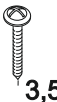

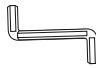


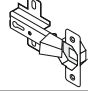
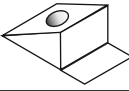

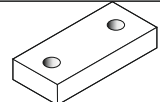
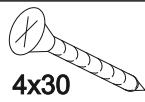


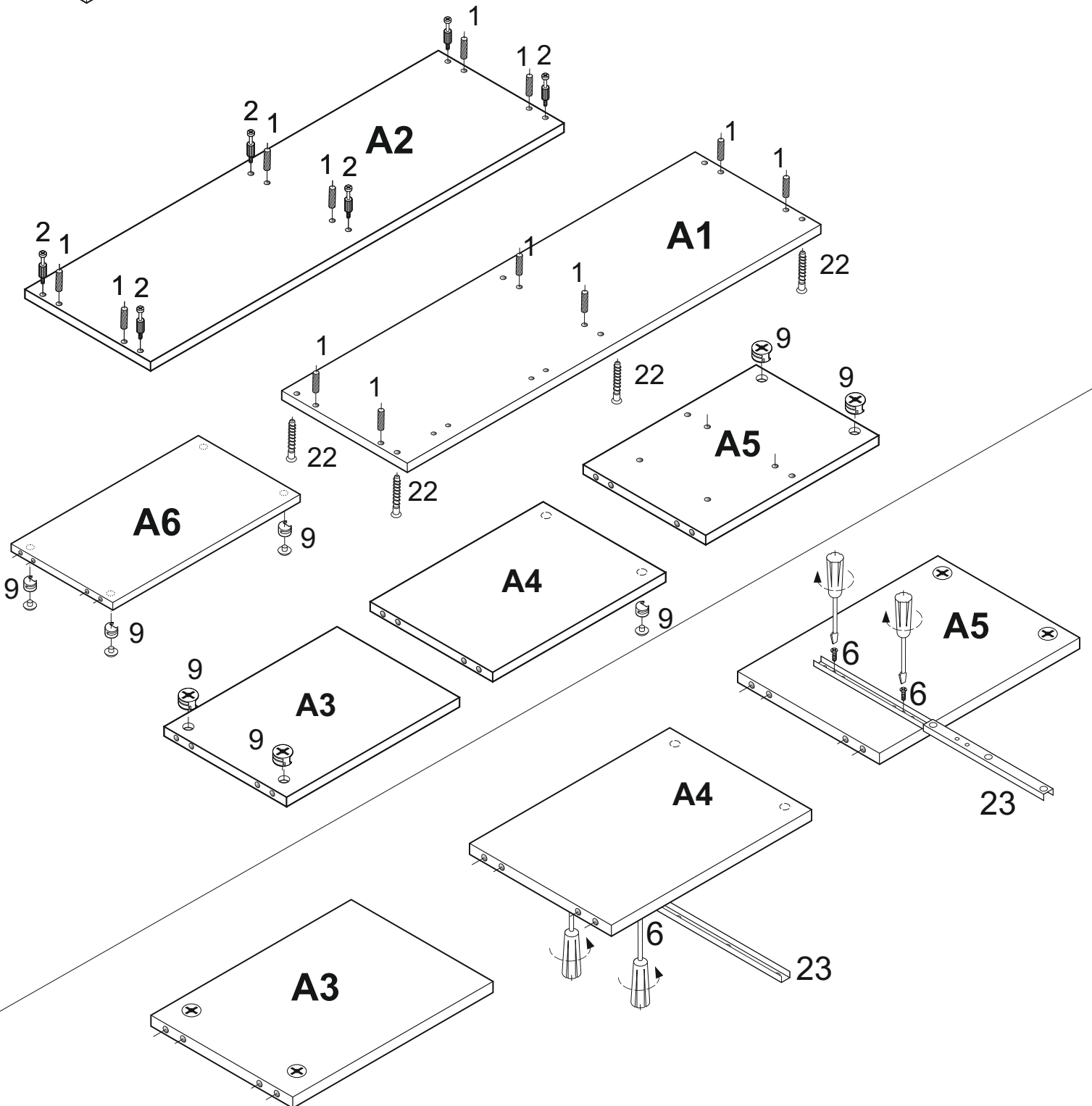
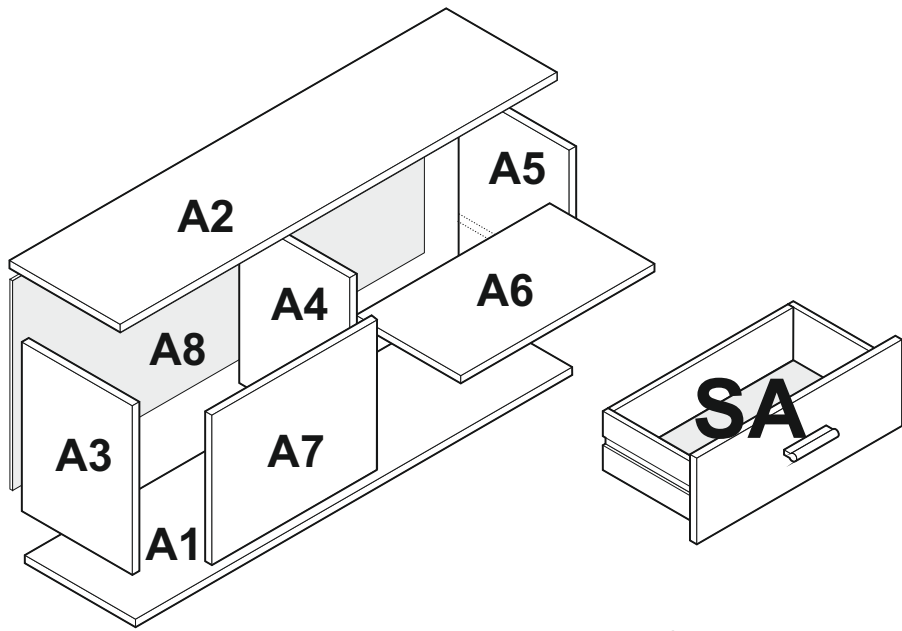
"LAUREN"

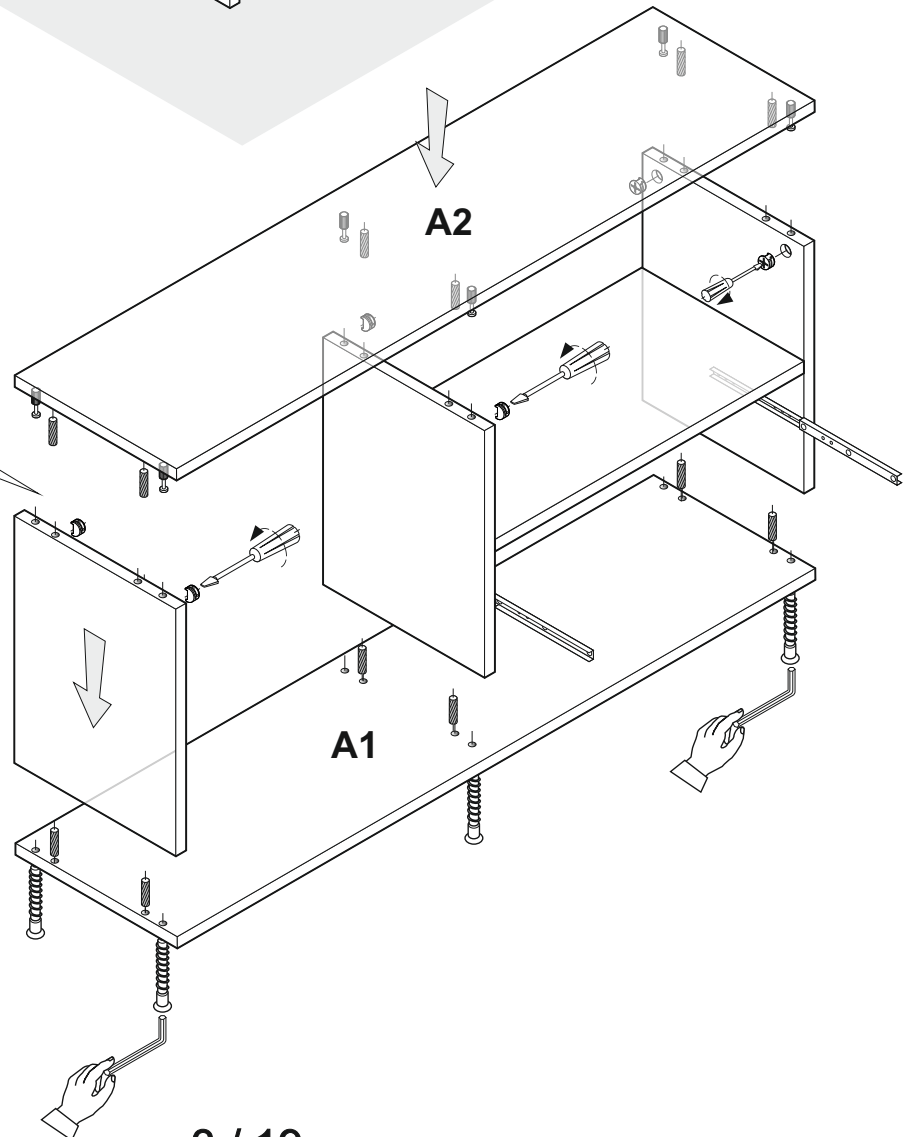
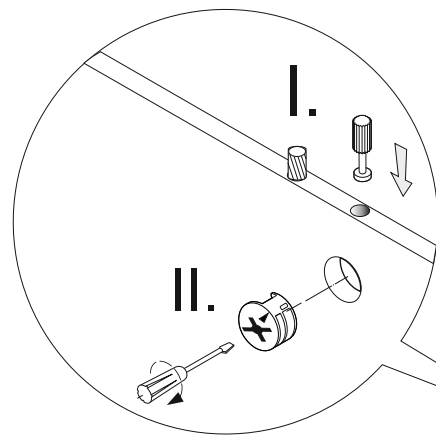
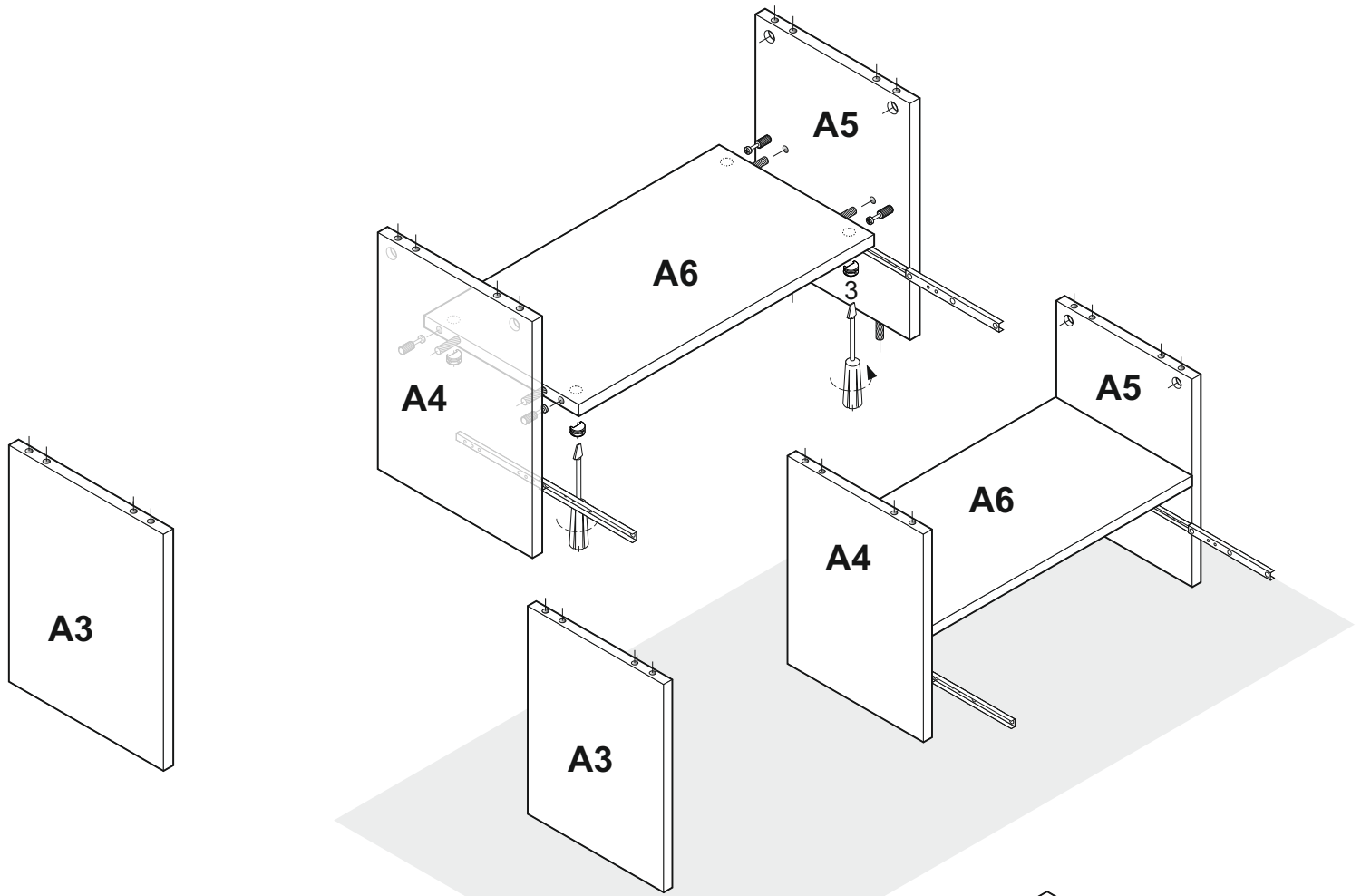


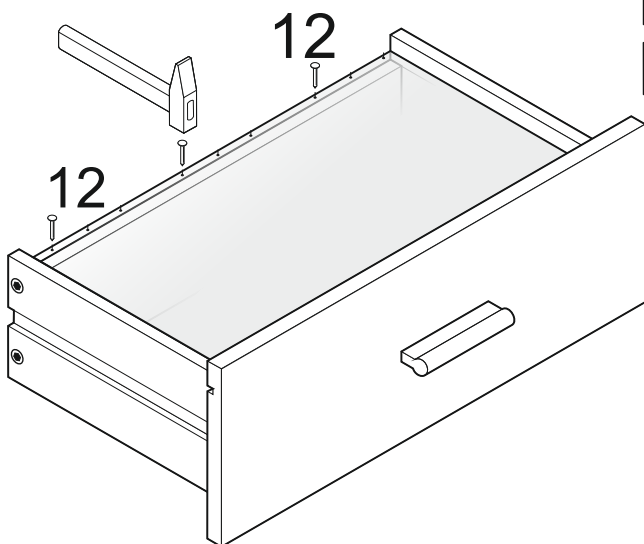
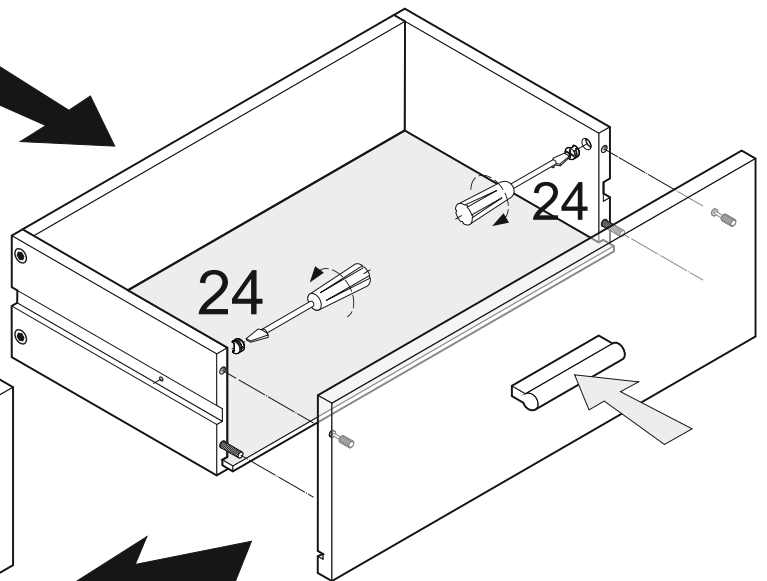
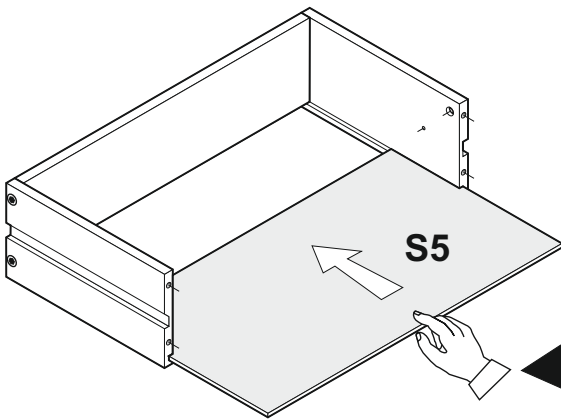
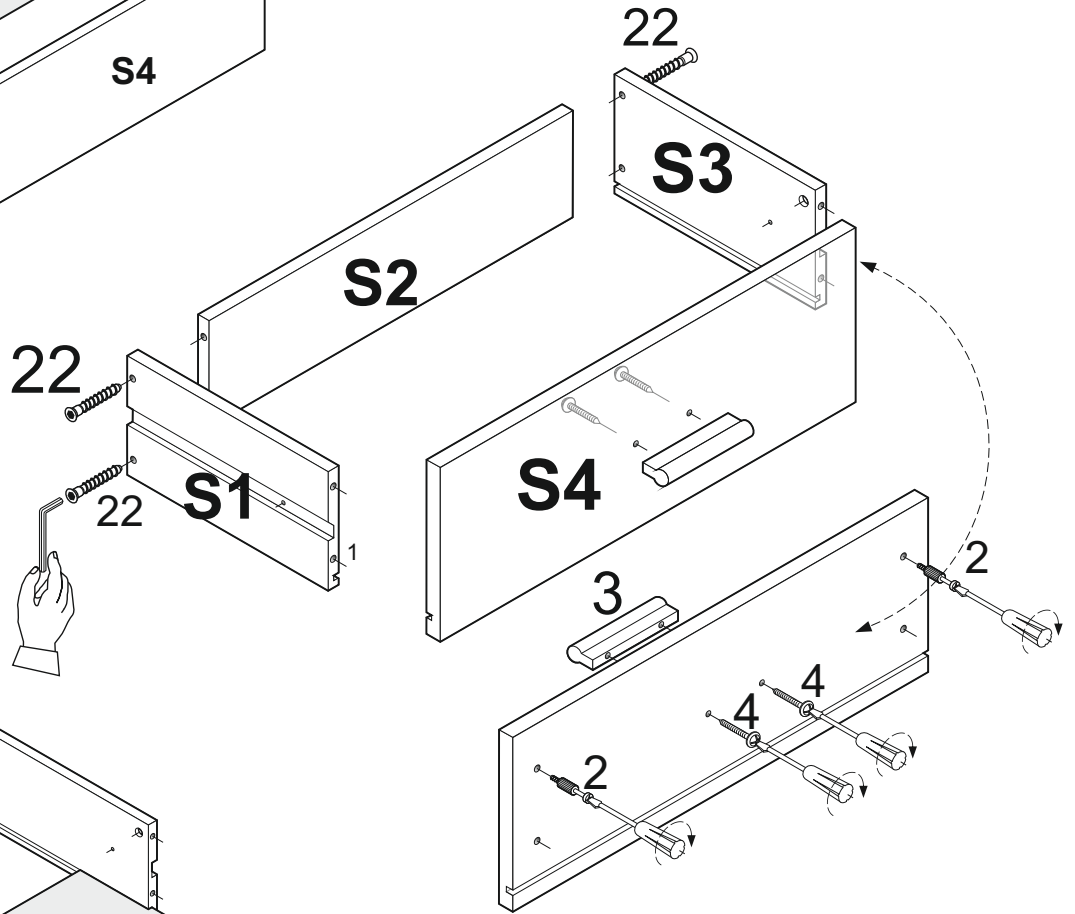
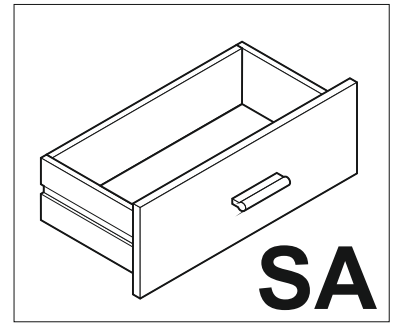
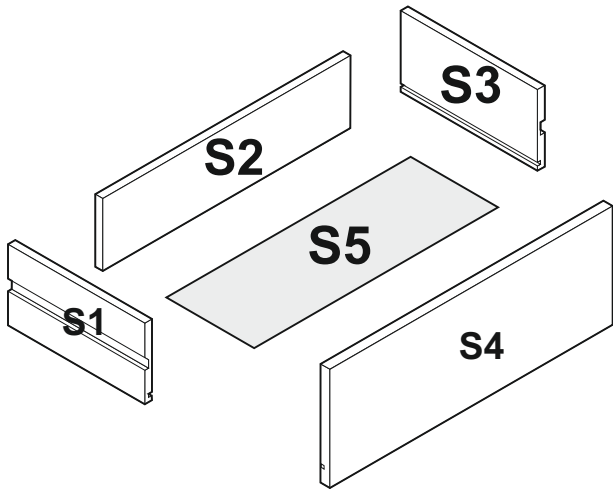
FRONTY / FRONTEN / DOORS

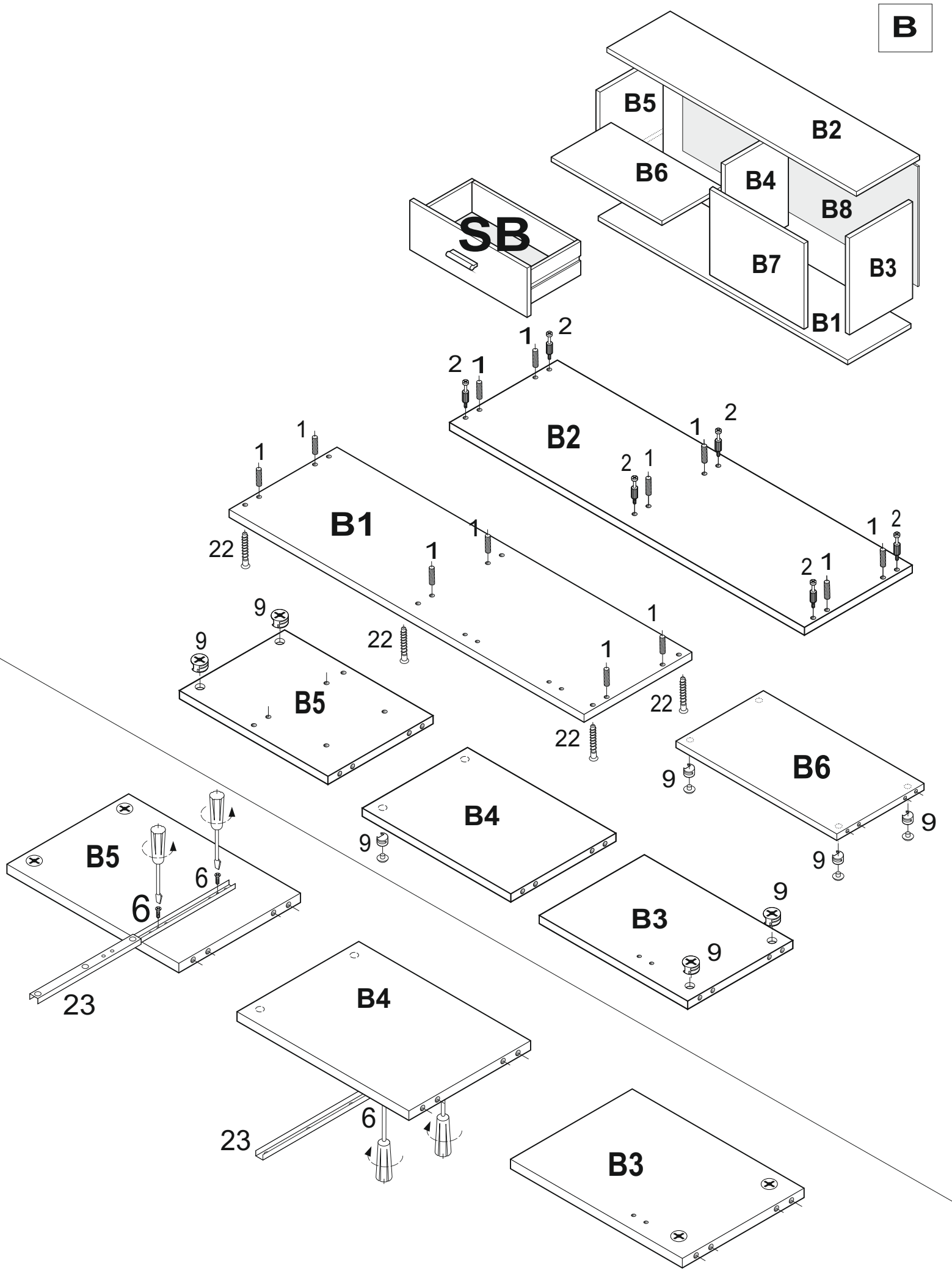


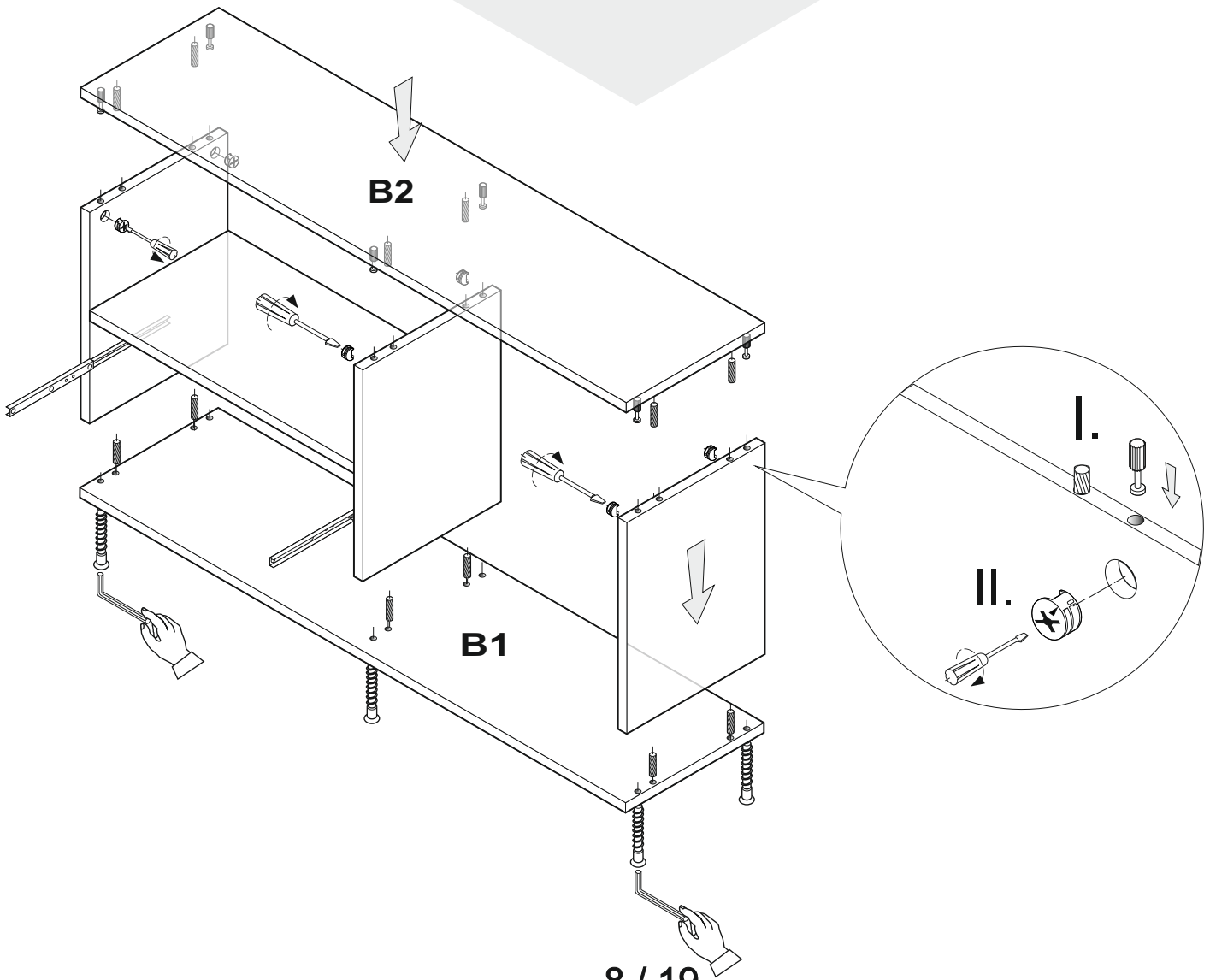
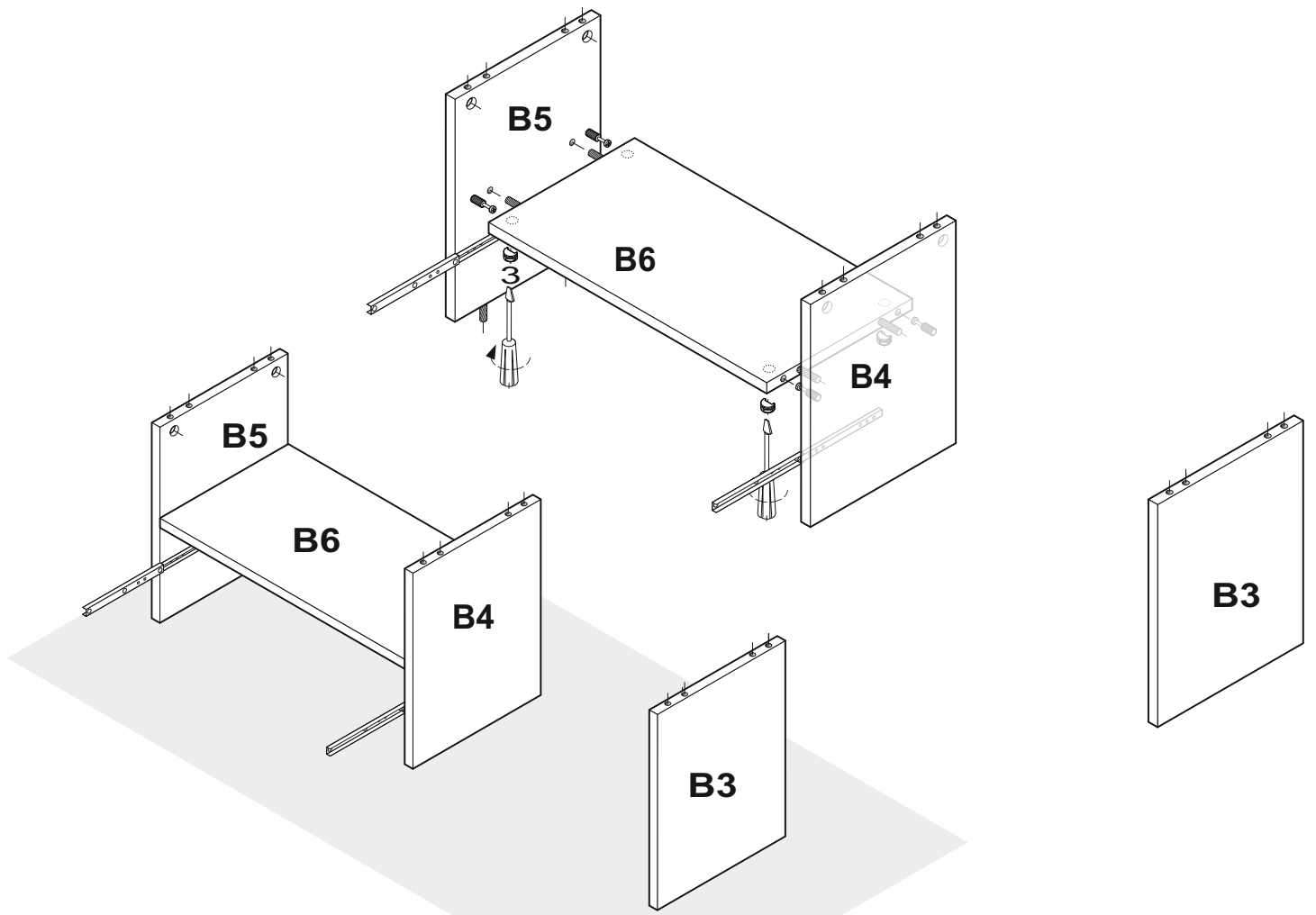
1	 <u>x 68</u>		 <u>x 2</u>	12	 <u>x 110</u>	17	 <u>x 4</u>
2	 <u>x 24</u>	7		13	 <u>x 16</u>	18	 <u>x 4</u>
3	 <u>x 8</u>	72	 <u>x 2</u>	14	 <u>x 16</u>	22A	 <u>x 58</u>
4A	 <u>x 16</u>	4B	 <u>x 20</u>	36	 <u>x 12</u>	22	 <u>x 58</u>
							 <u>x 4</u>
5	 <u>x 8</u>	9A	 <u>x 20</u>	4	 <u>x 12</u>	23	
6	 <u>x 66</u>	26	 <u>x 1</u>	24	 <u>x 4</u>	25	 <u>x 4</u>
29	 <u>x 4</u>	30	LED LIGHTS <u>x 1</u>	38	 <u>x 24</u>	39	 <u>x 20</u>
		10	 <u>x 10</u>	21	 <u>x 16</u>		

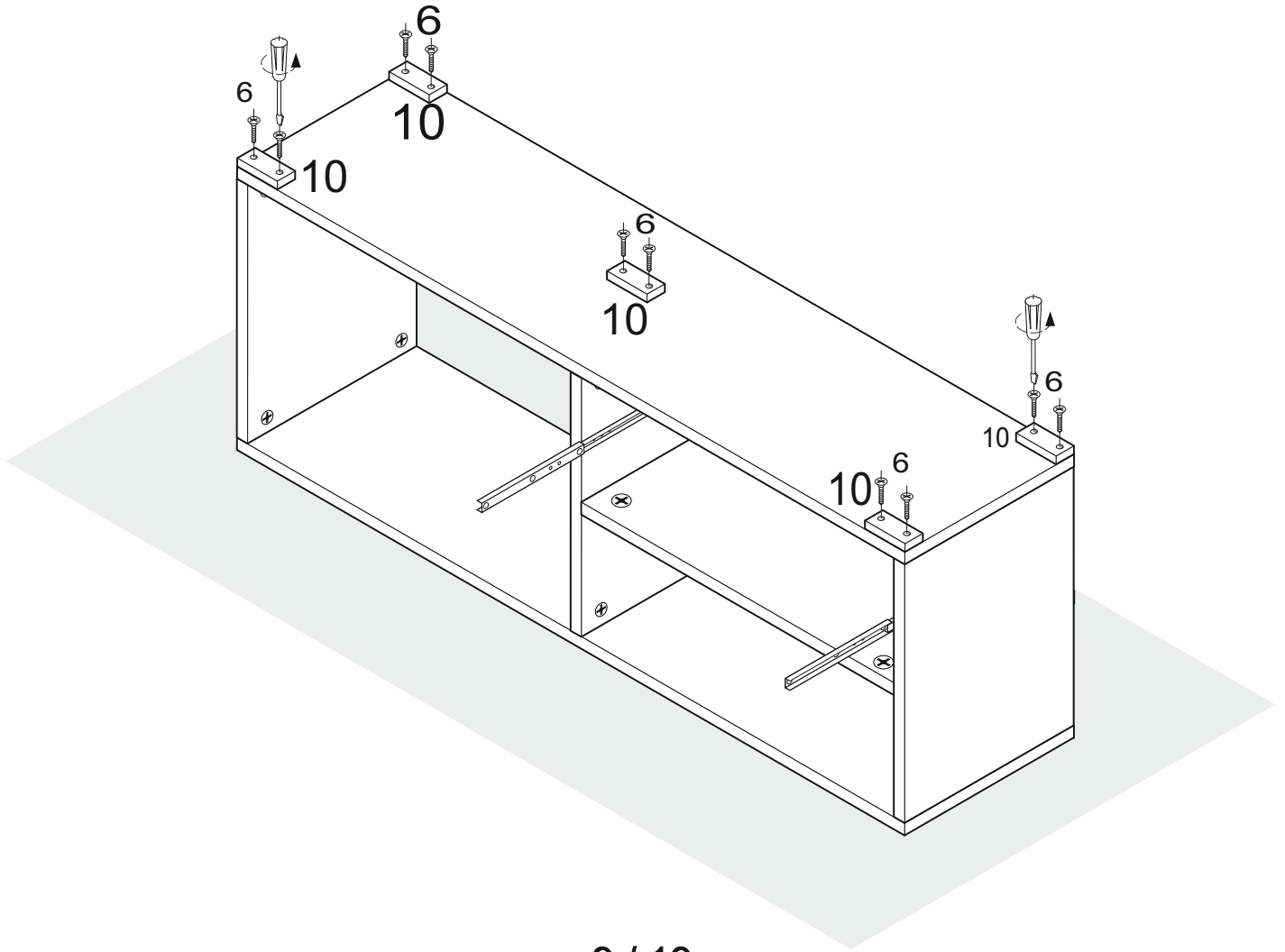
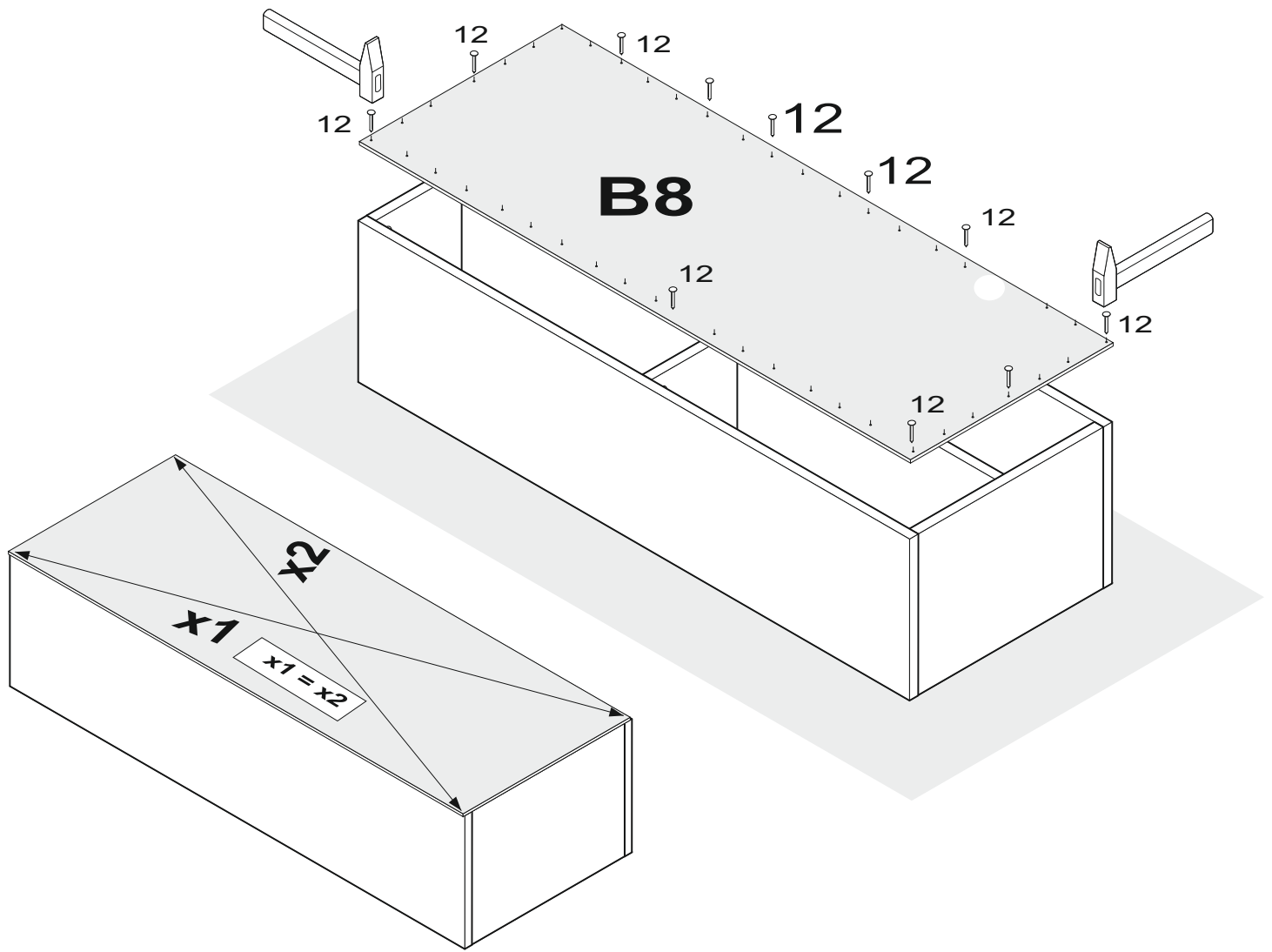




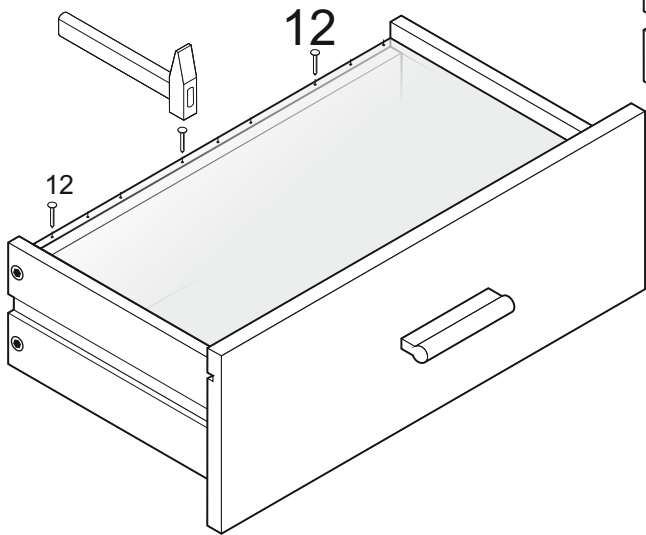
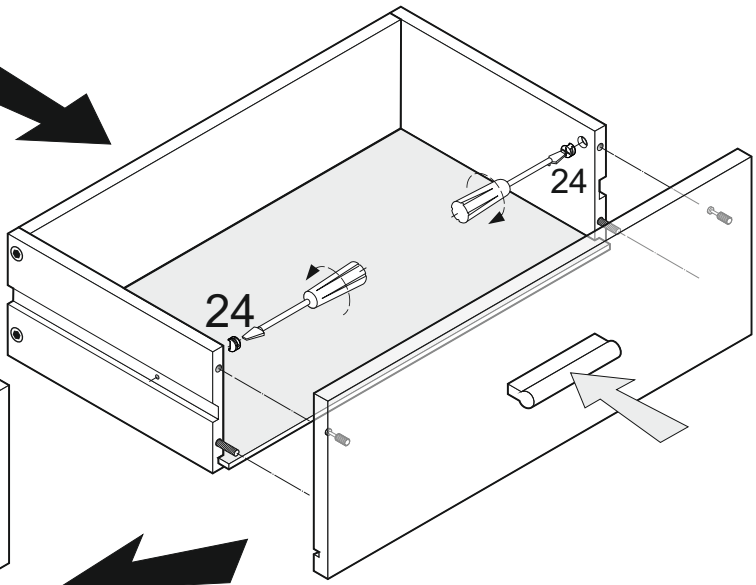
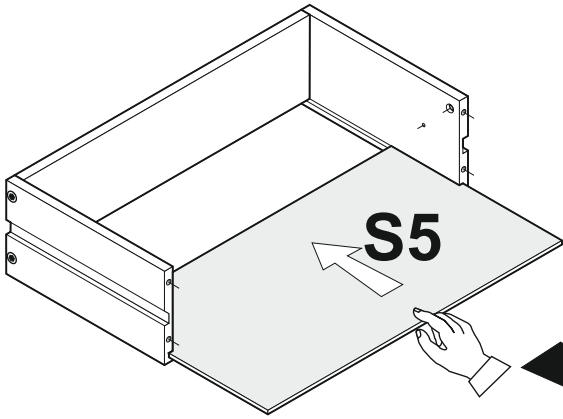
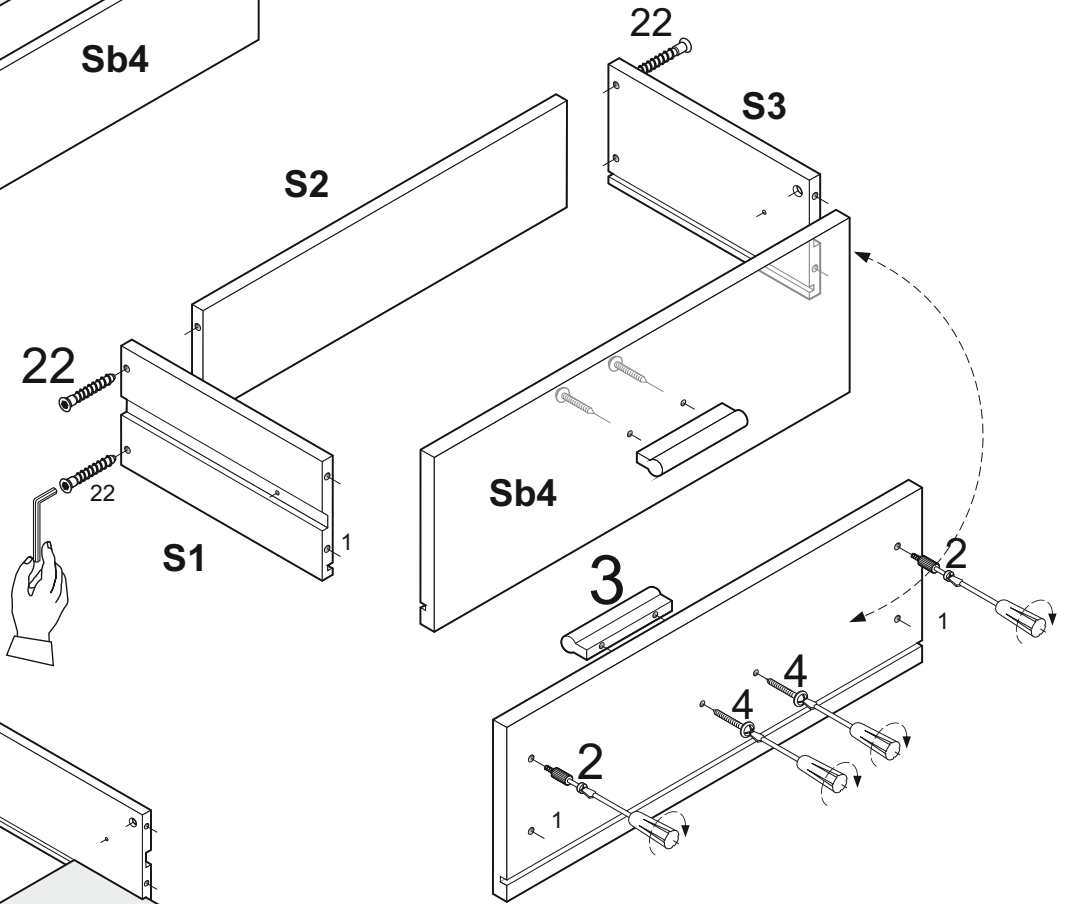
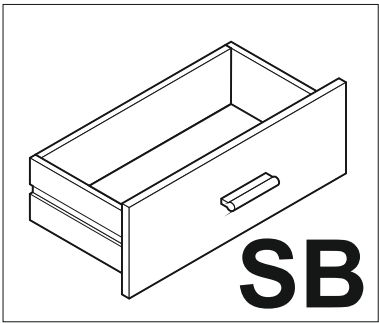
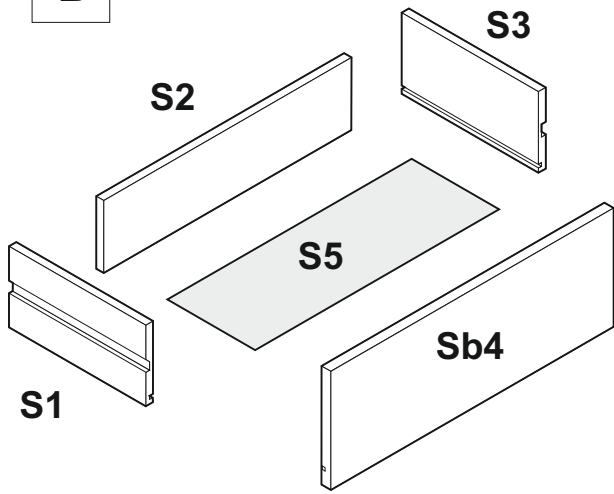


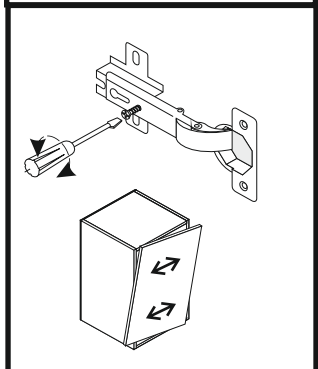
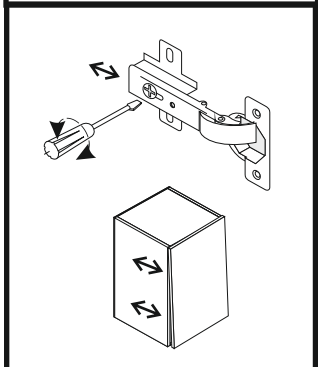
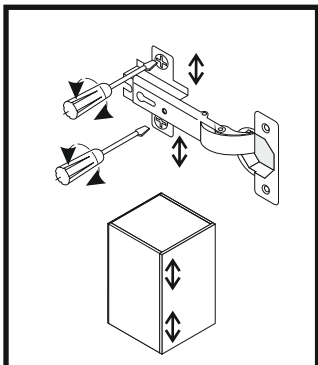
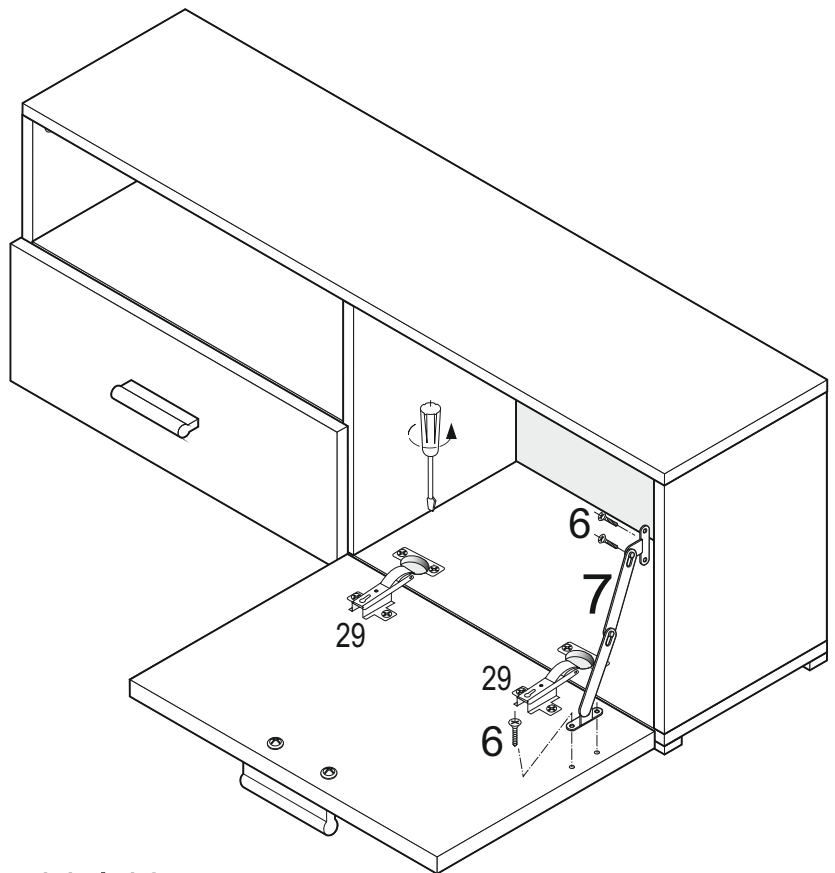
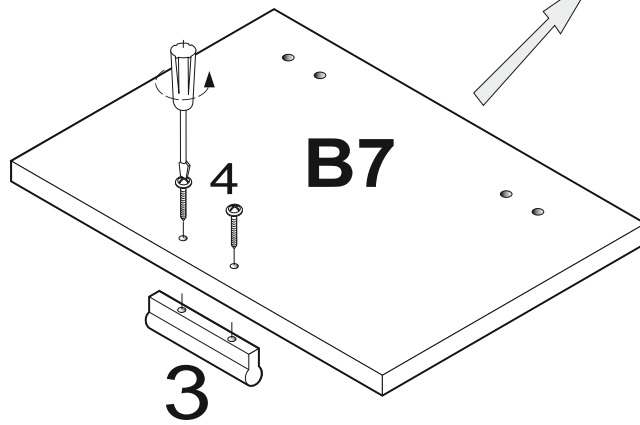
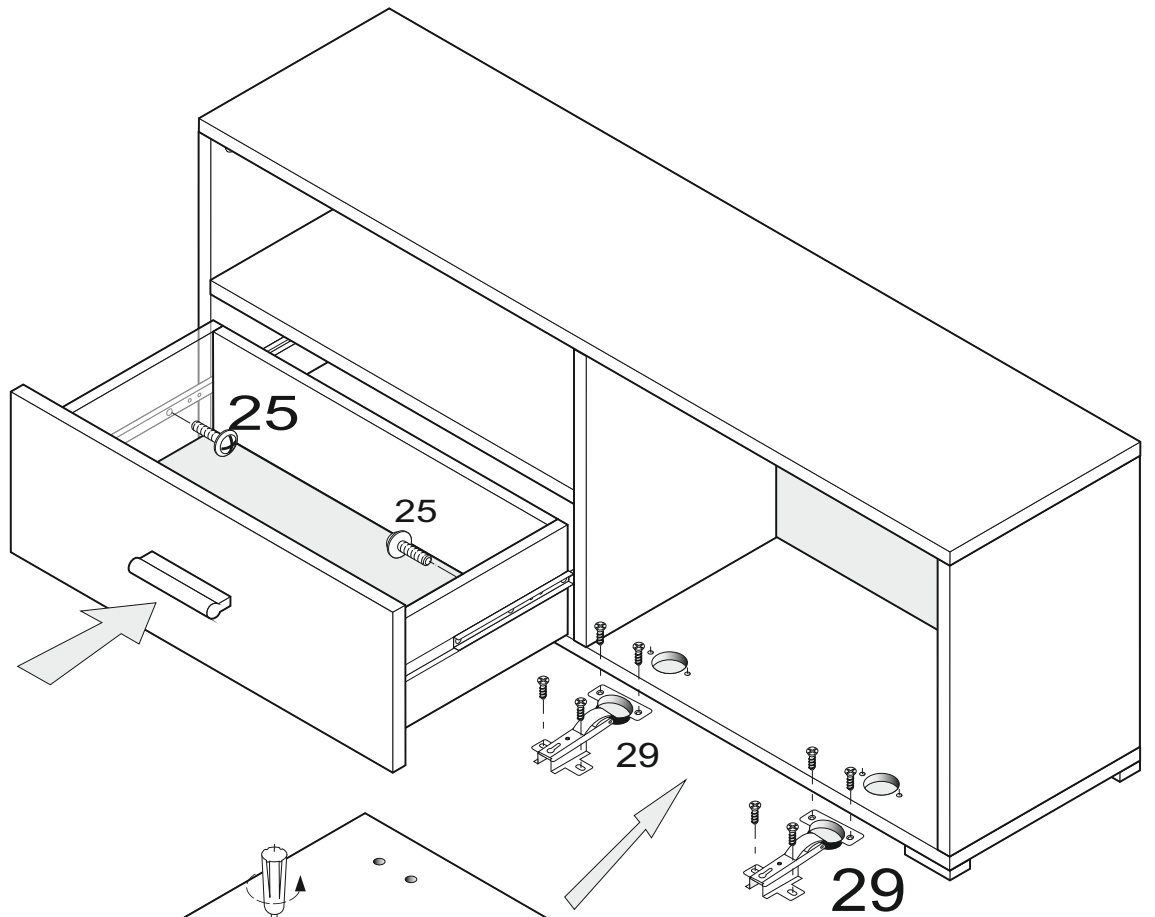


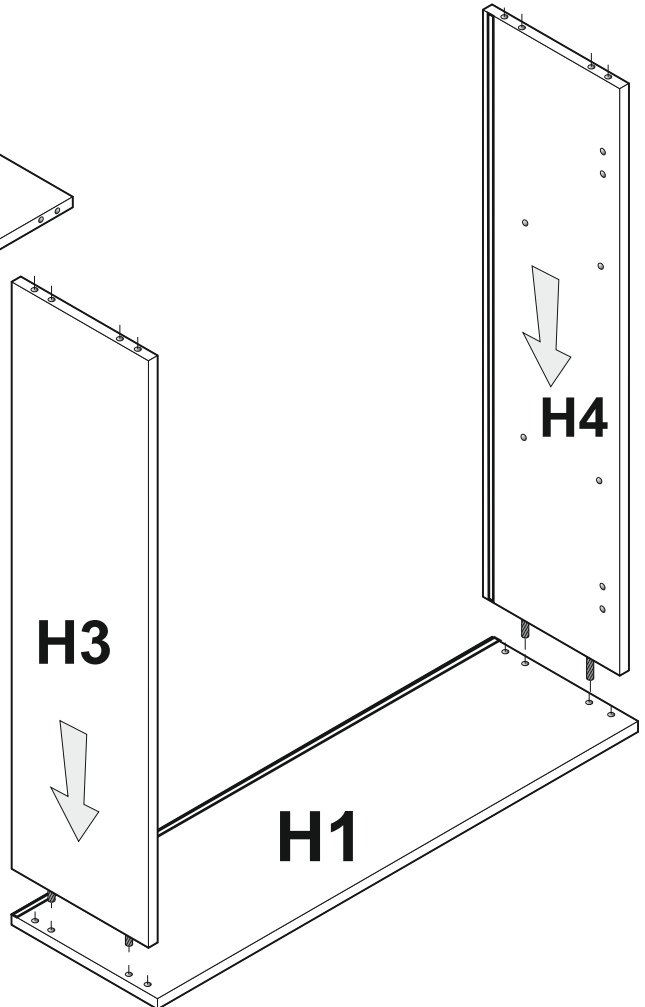
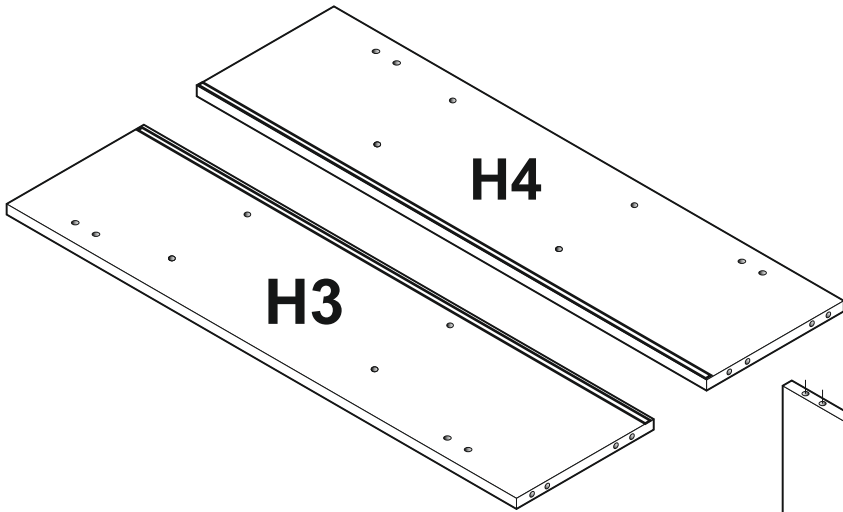
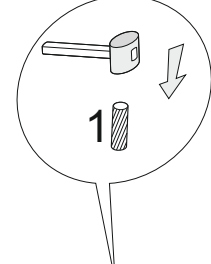
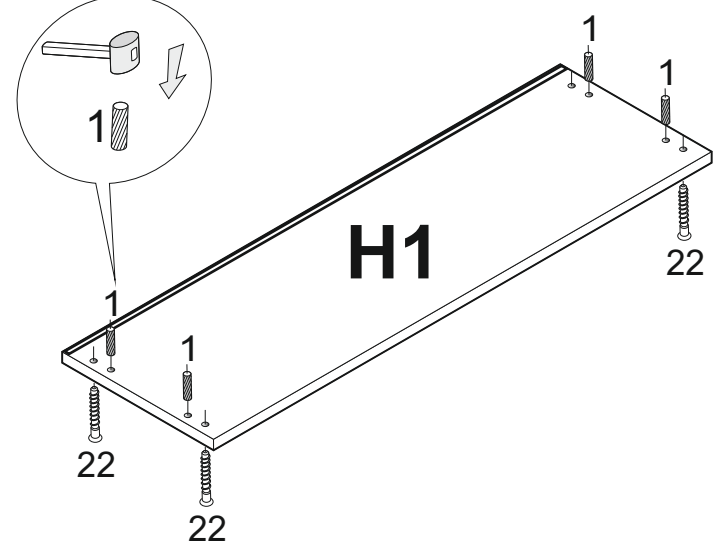
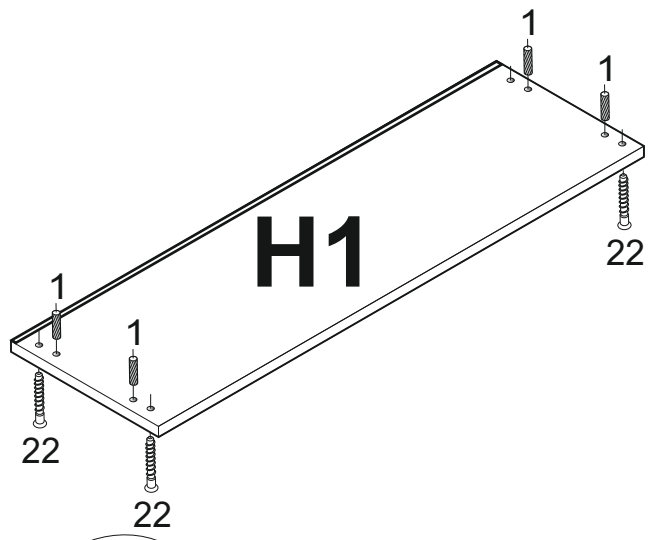
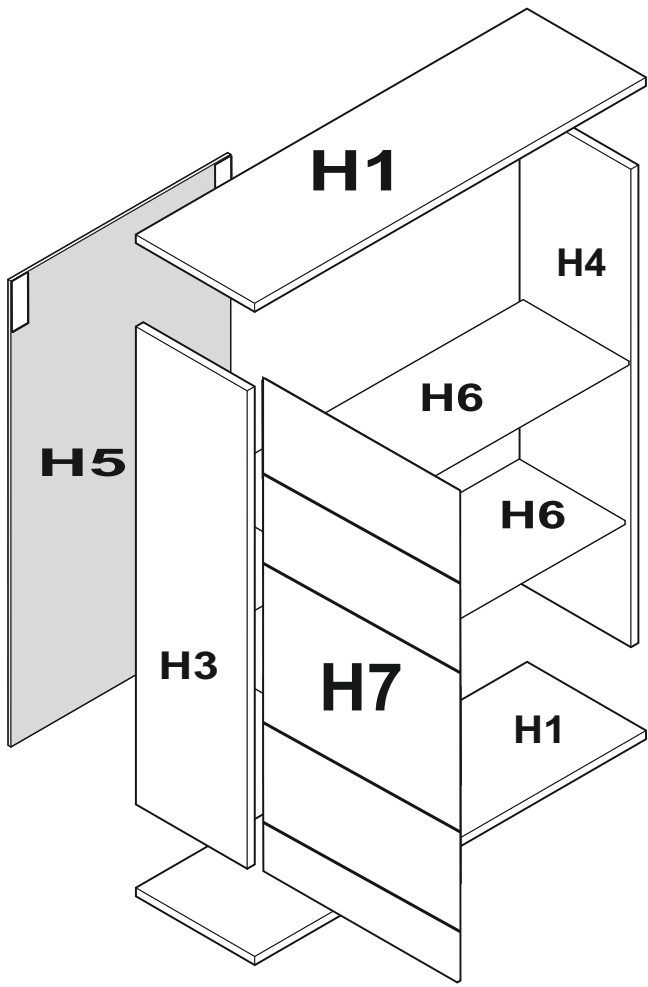


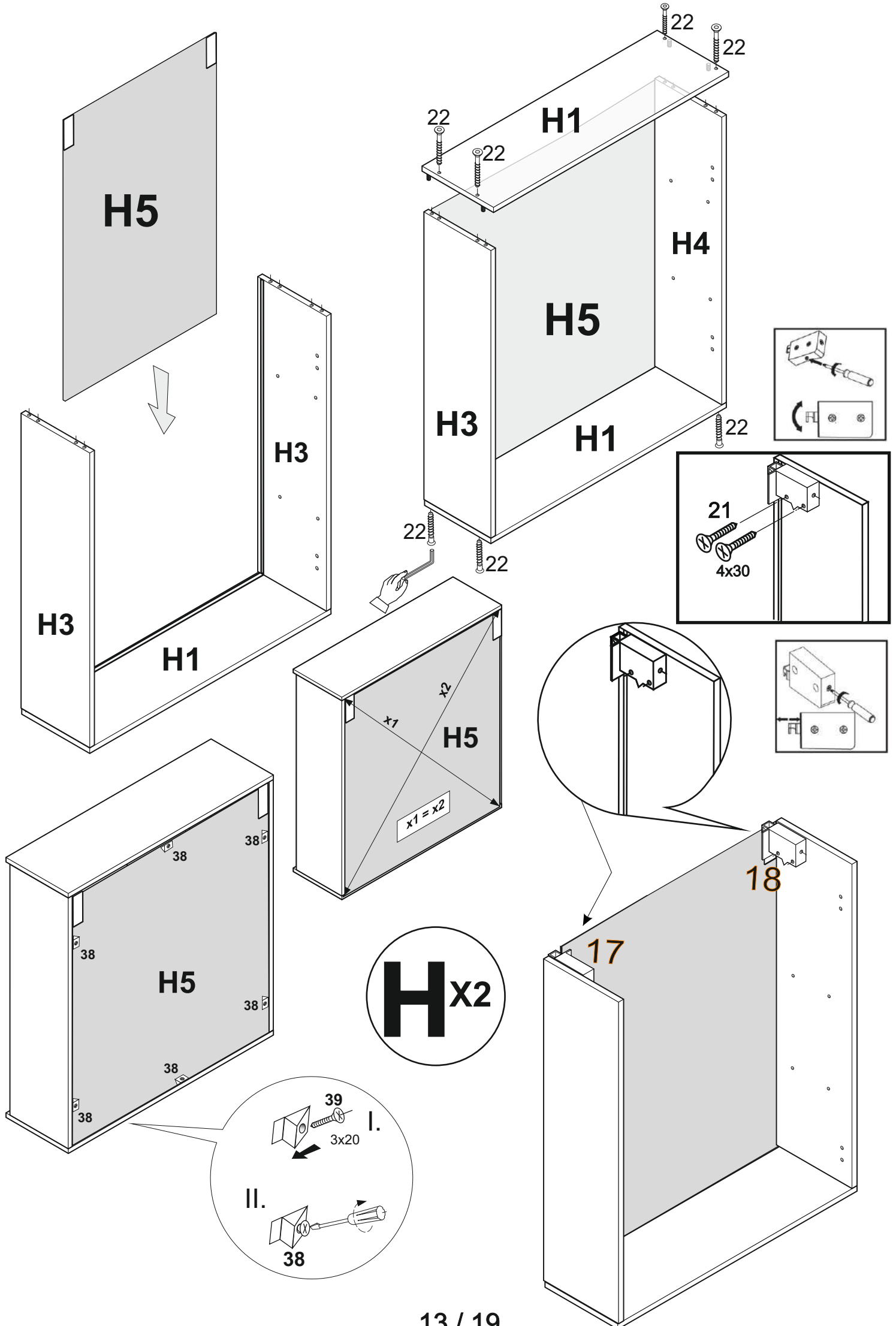


B

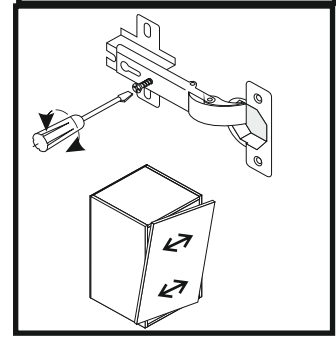
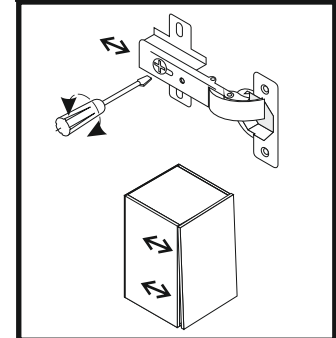
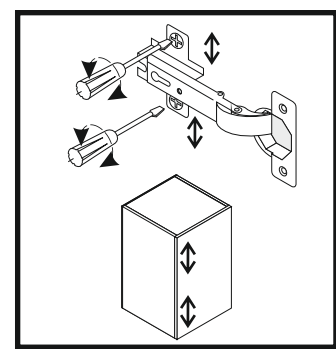
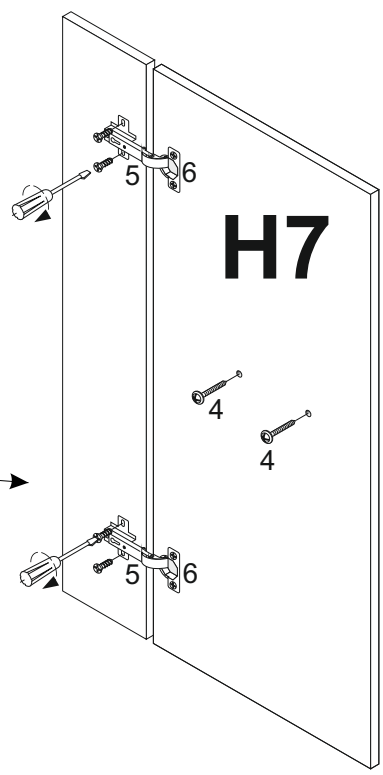
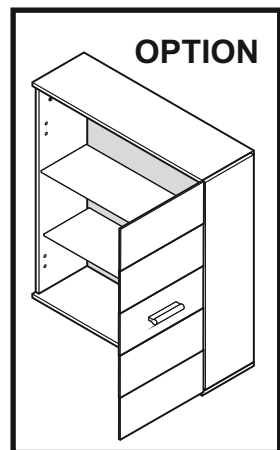
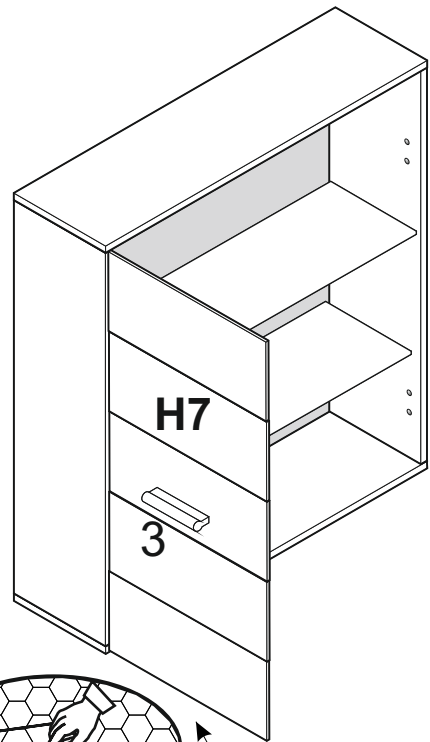
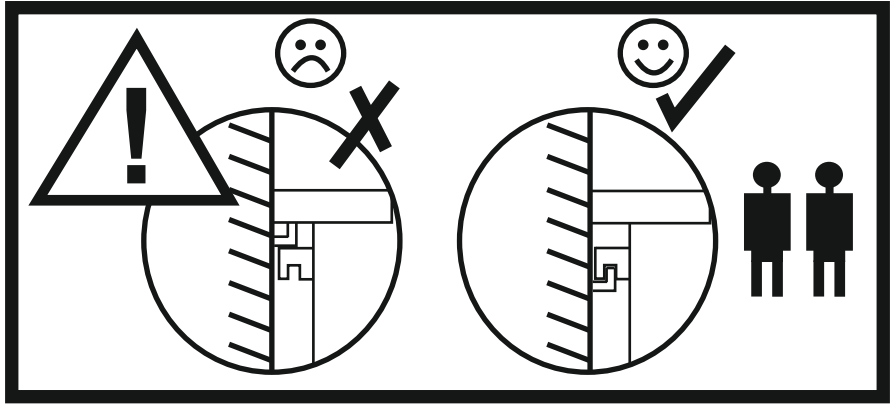
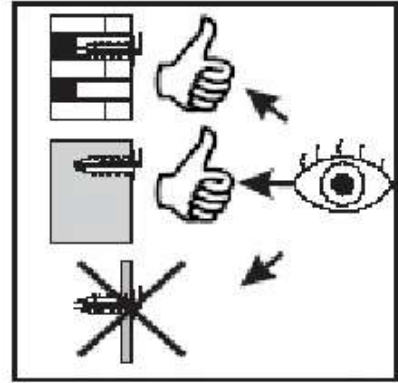
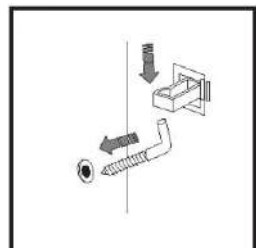
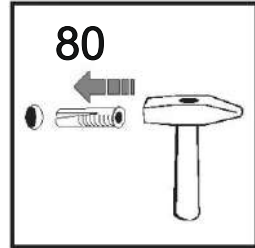
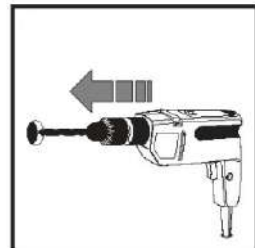
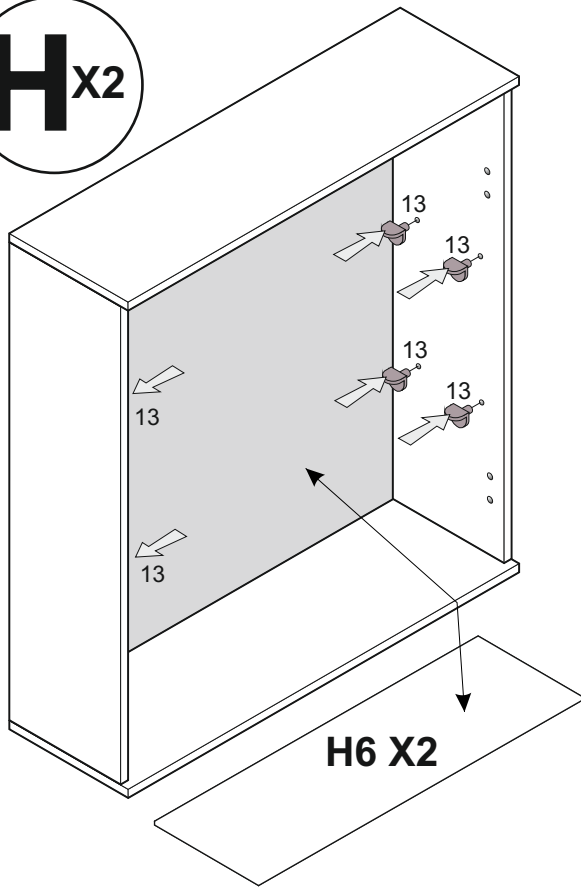


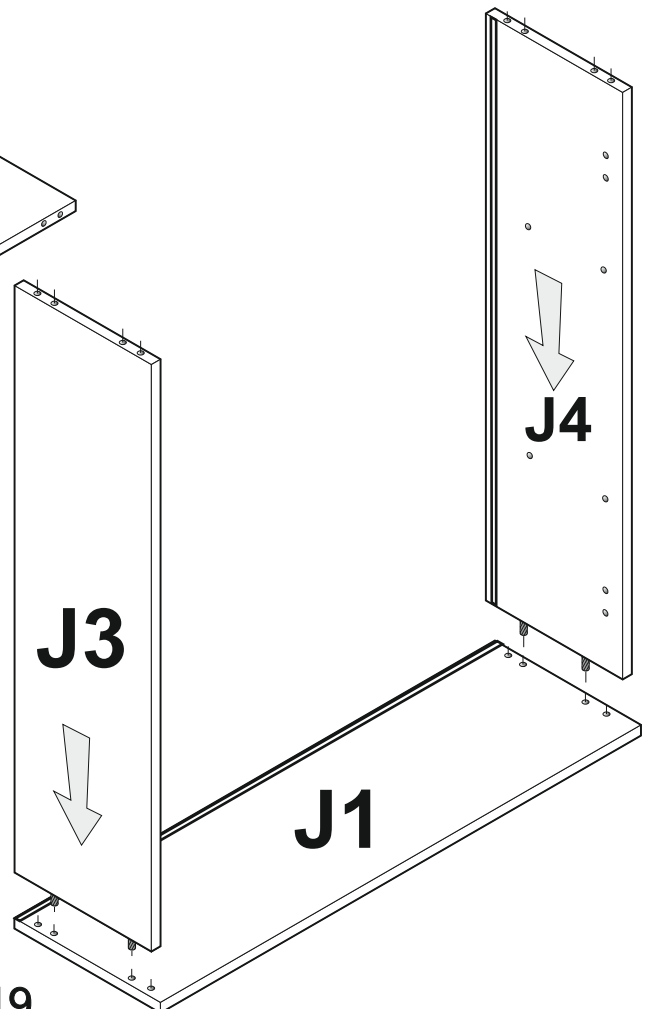
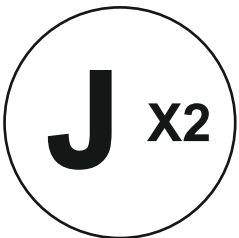
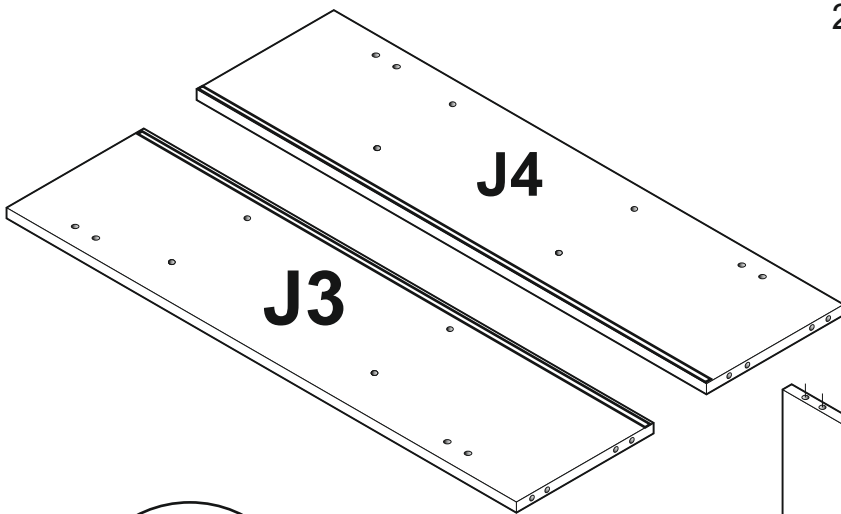
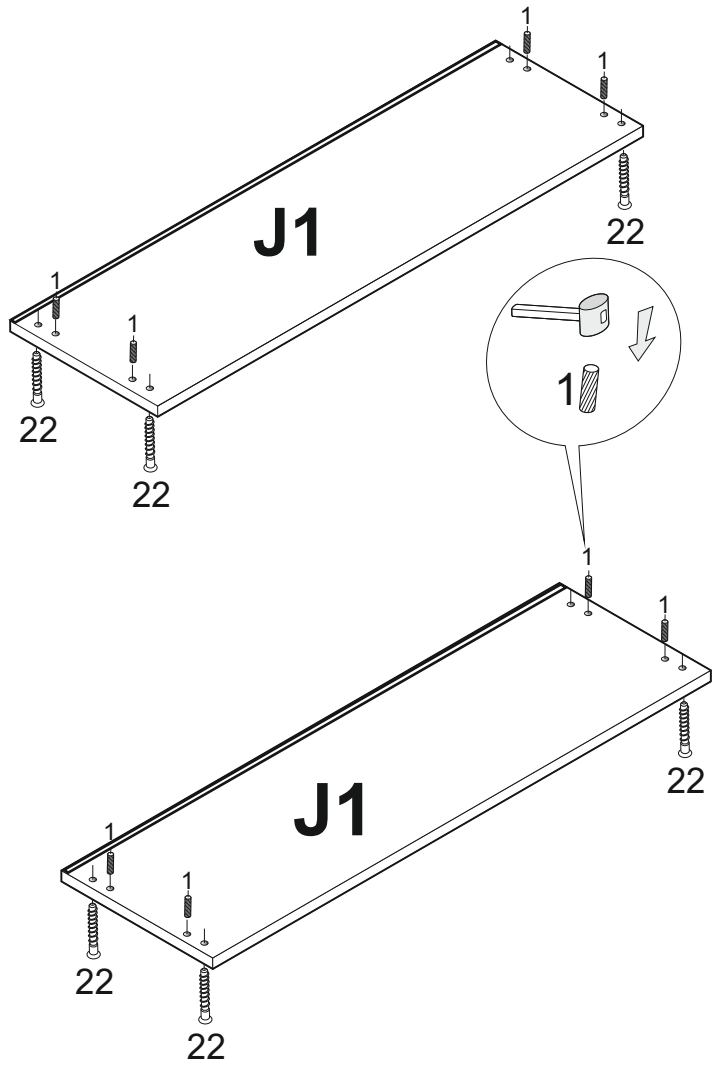
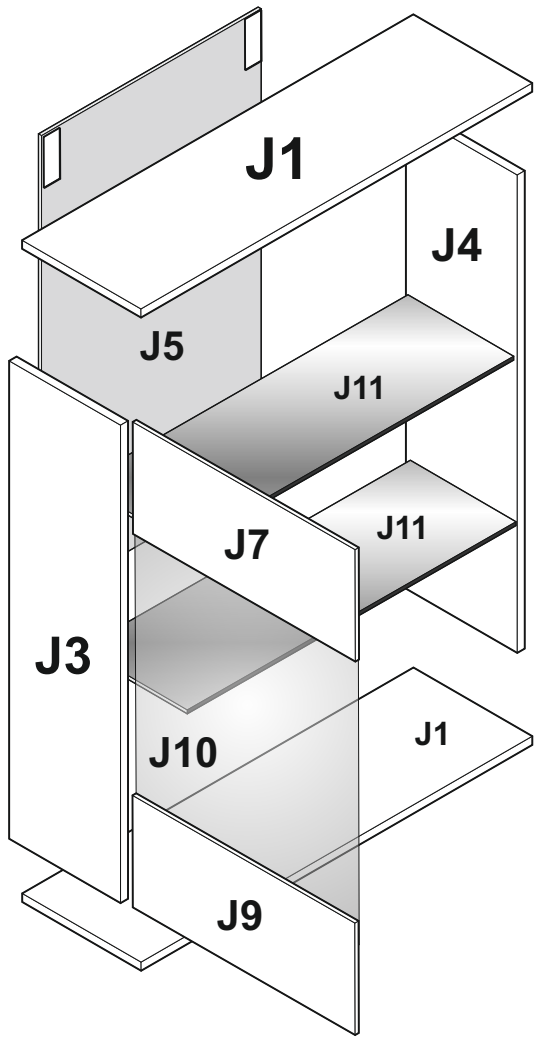




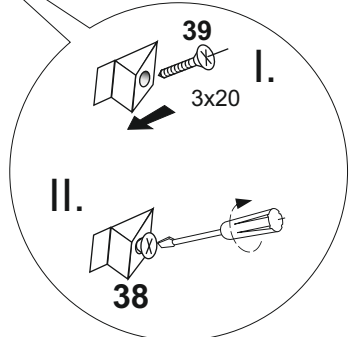
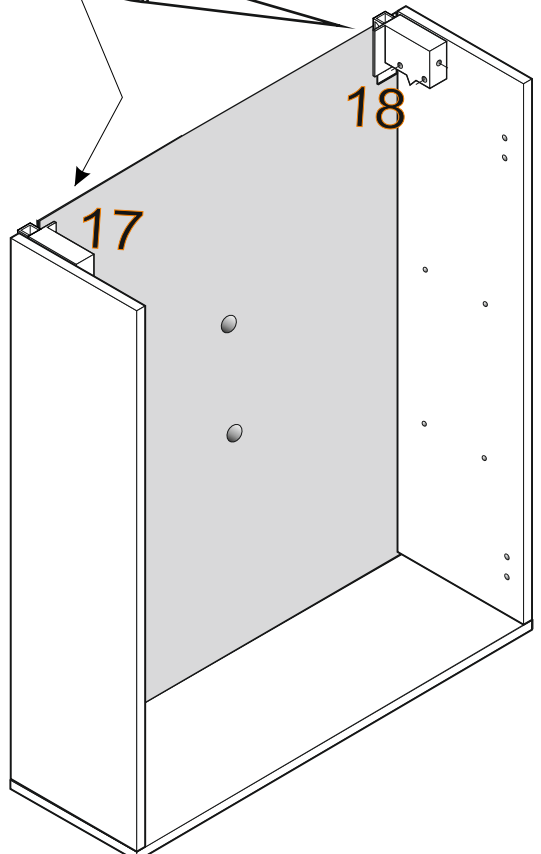
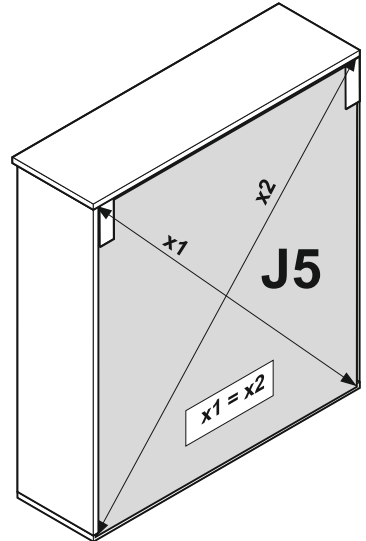
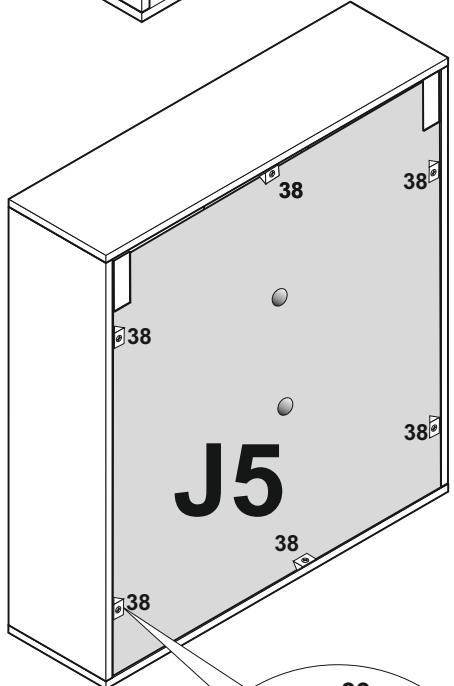
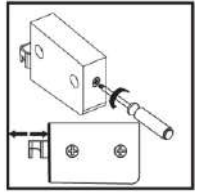
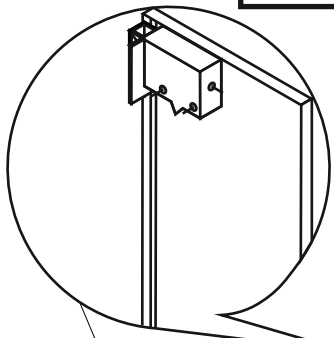
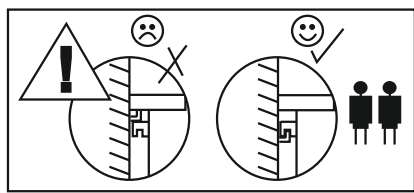
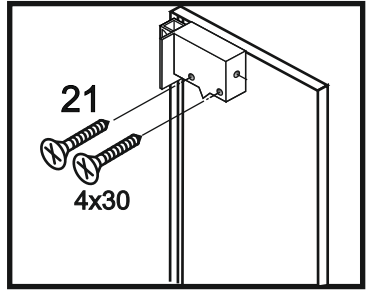
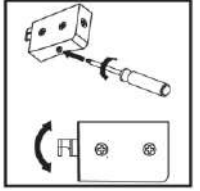
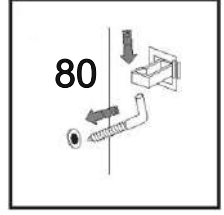
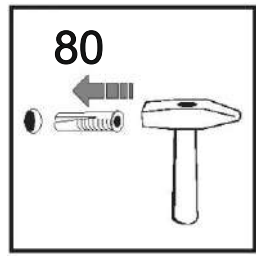
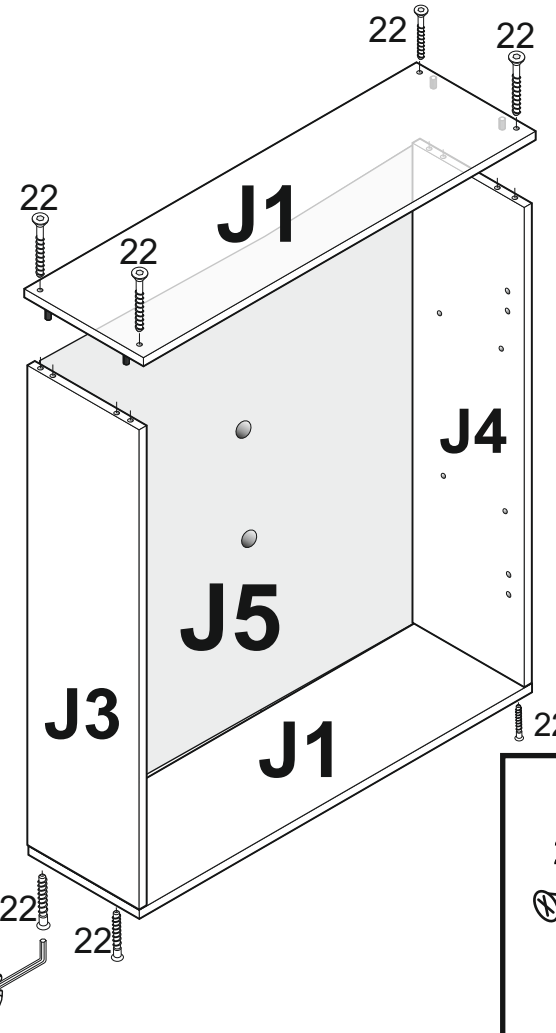
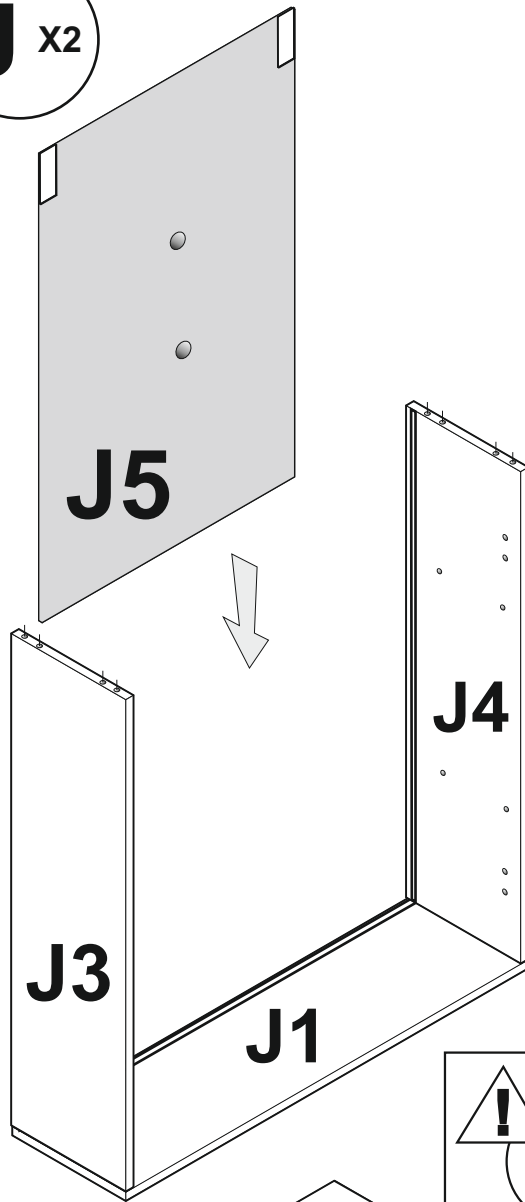


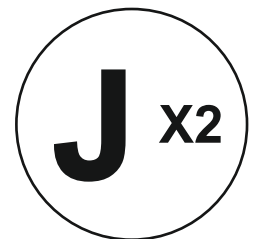
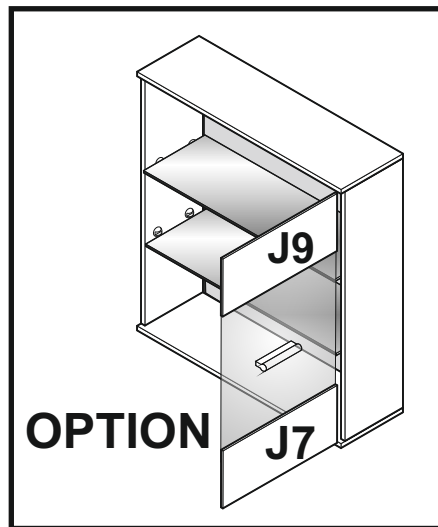
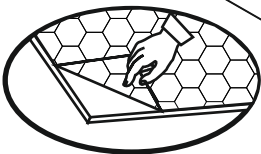
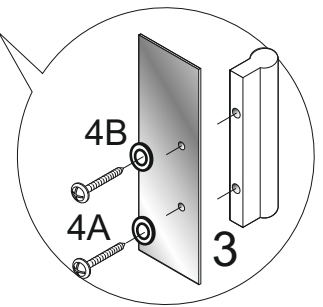
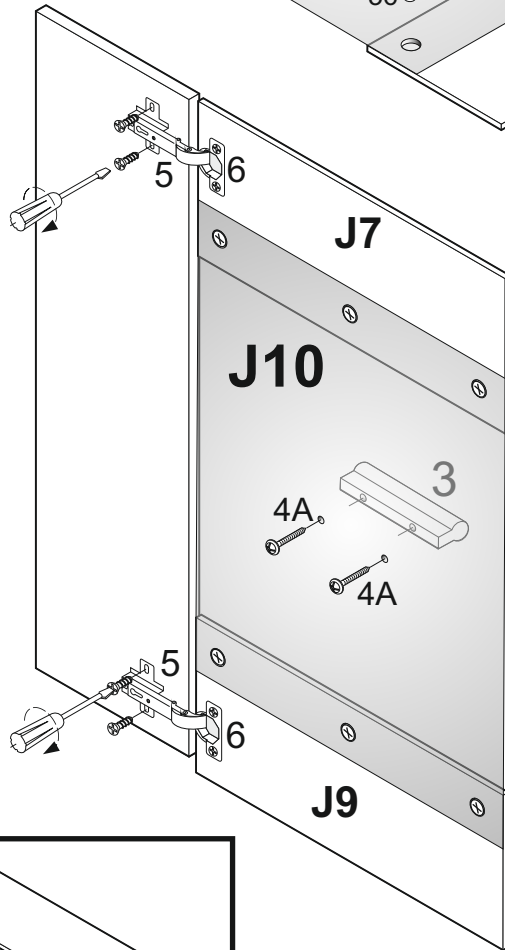
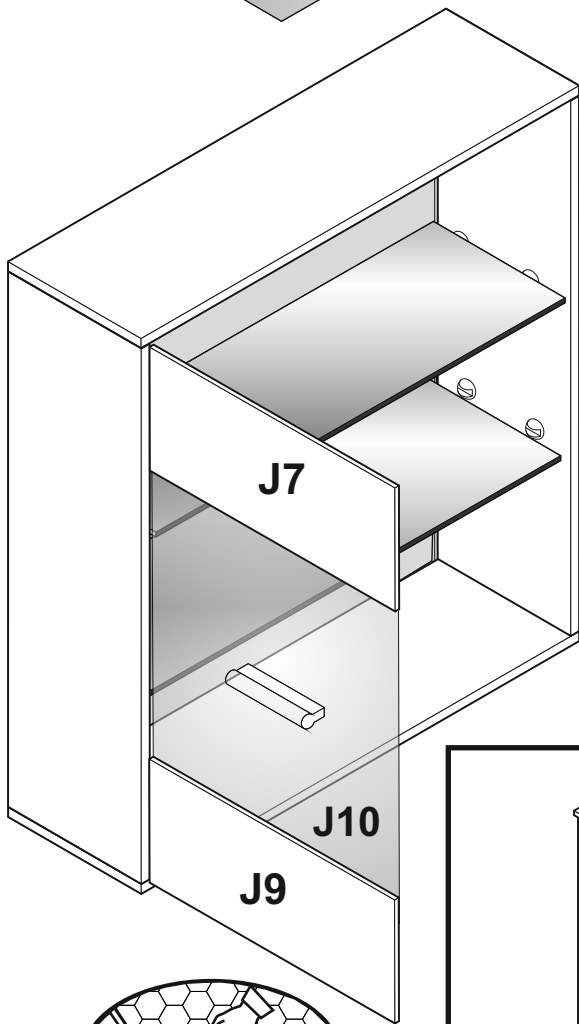
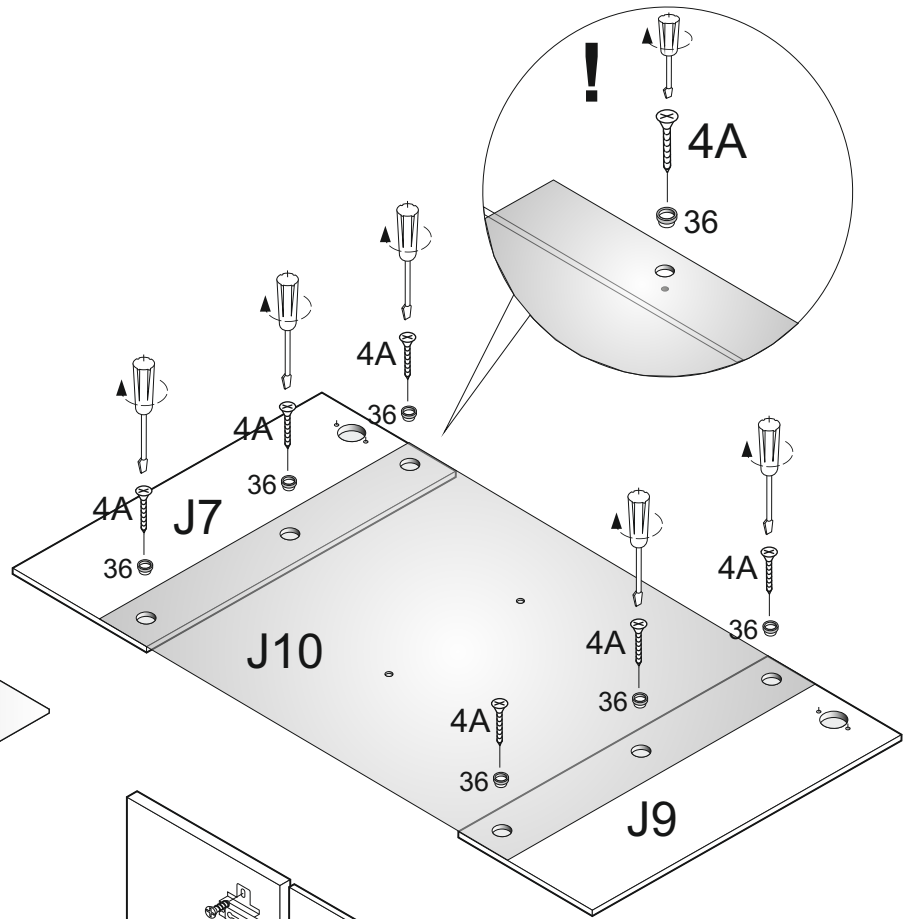
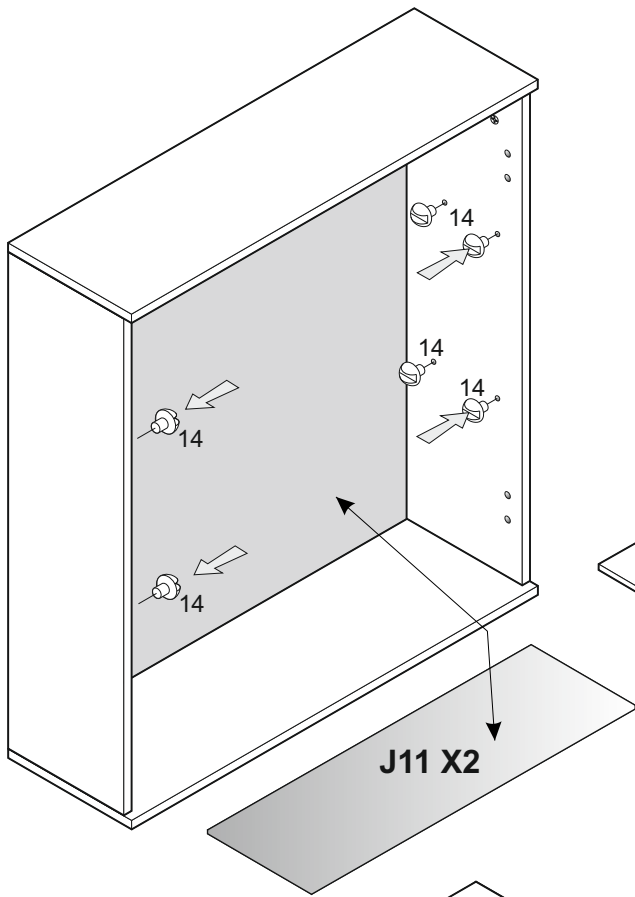
H X2

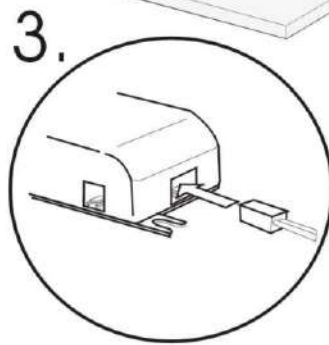
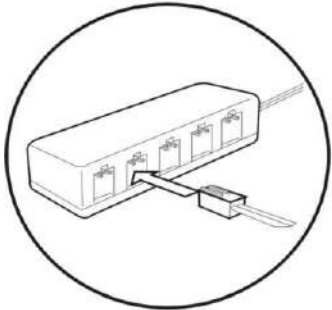
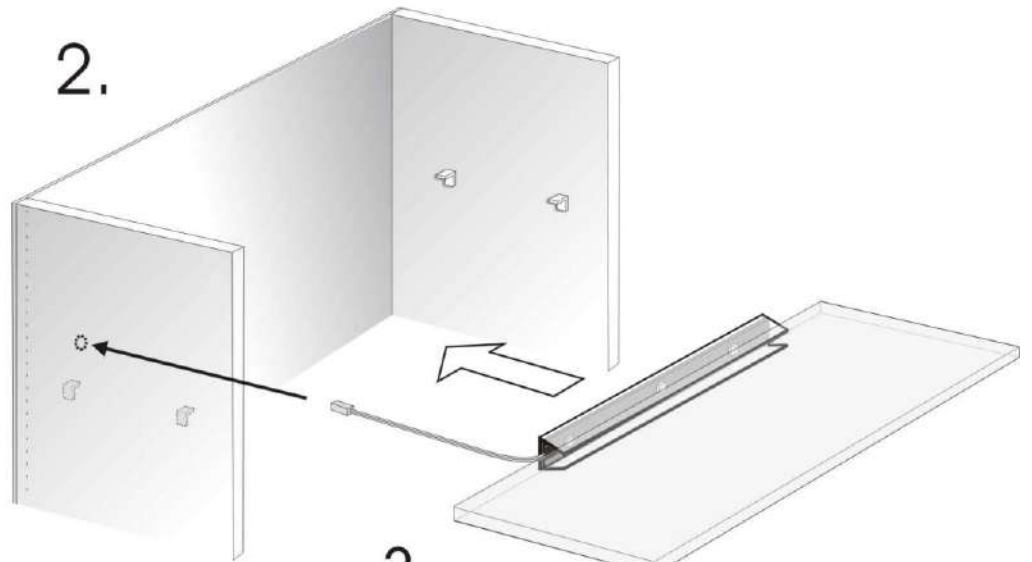
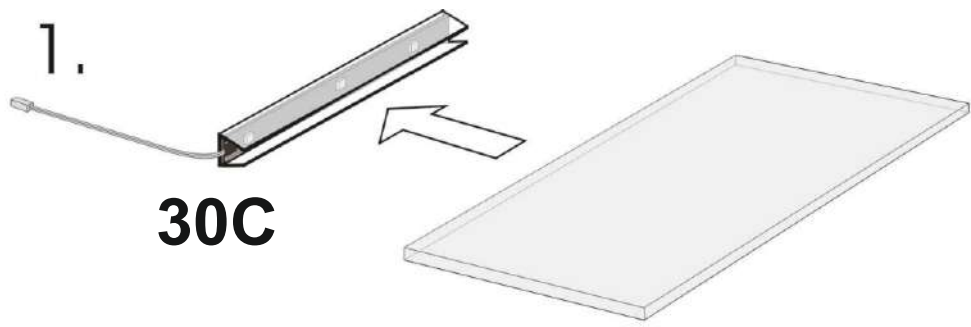




J X2







4.

30A

3.

30B

