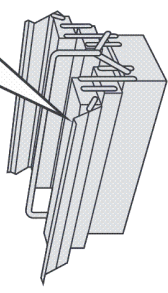
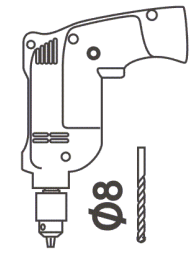
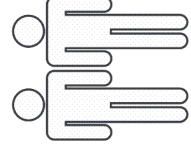
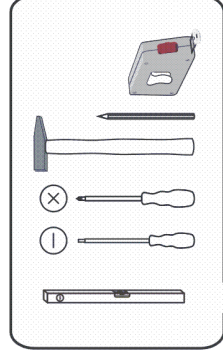
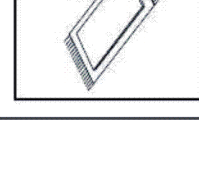
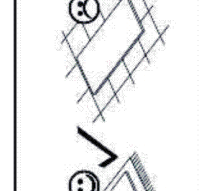
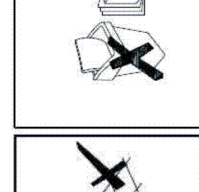
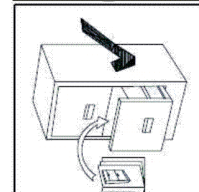
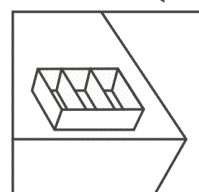
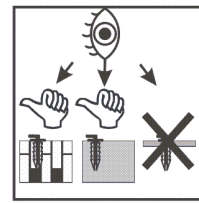
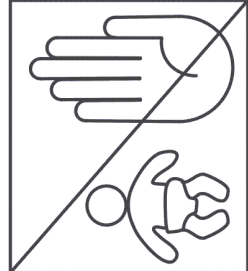
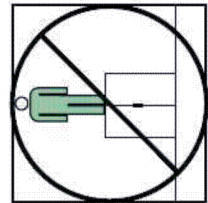
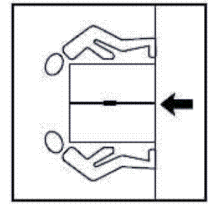
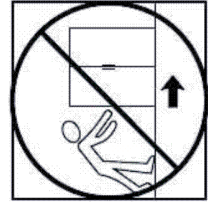
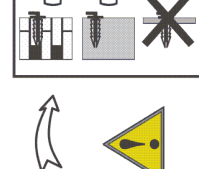
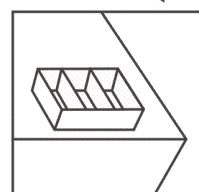
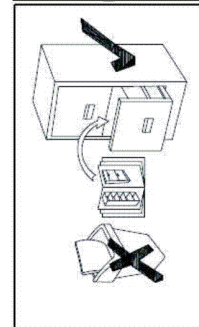
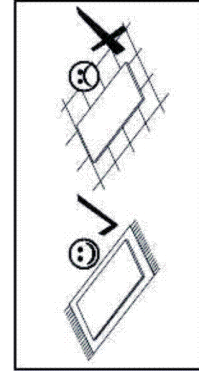
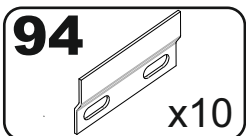
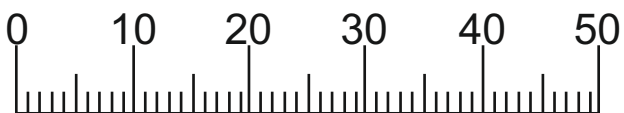
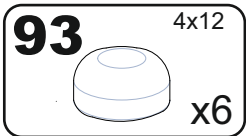
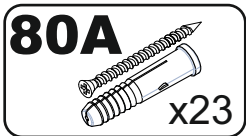
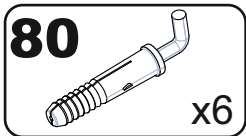
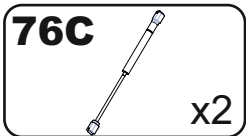
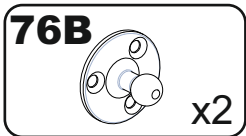
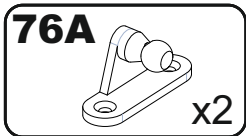
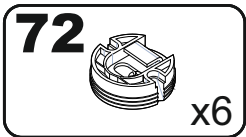
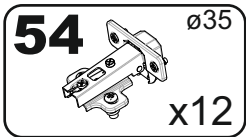
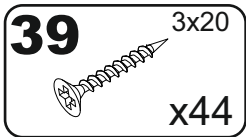
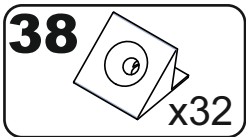
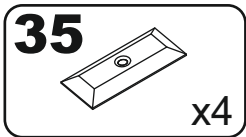
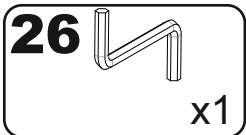
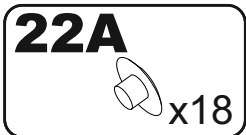
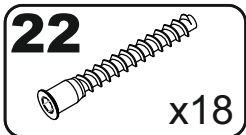
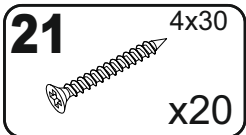
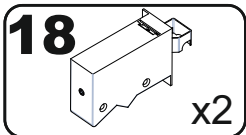
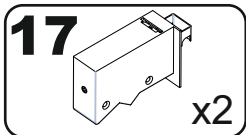
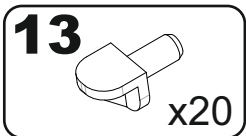
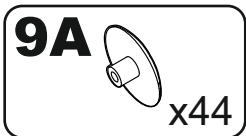
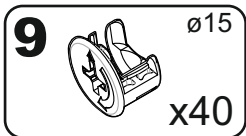
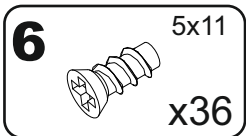
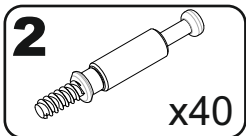
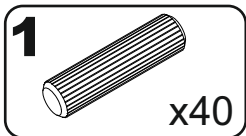
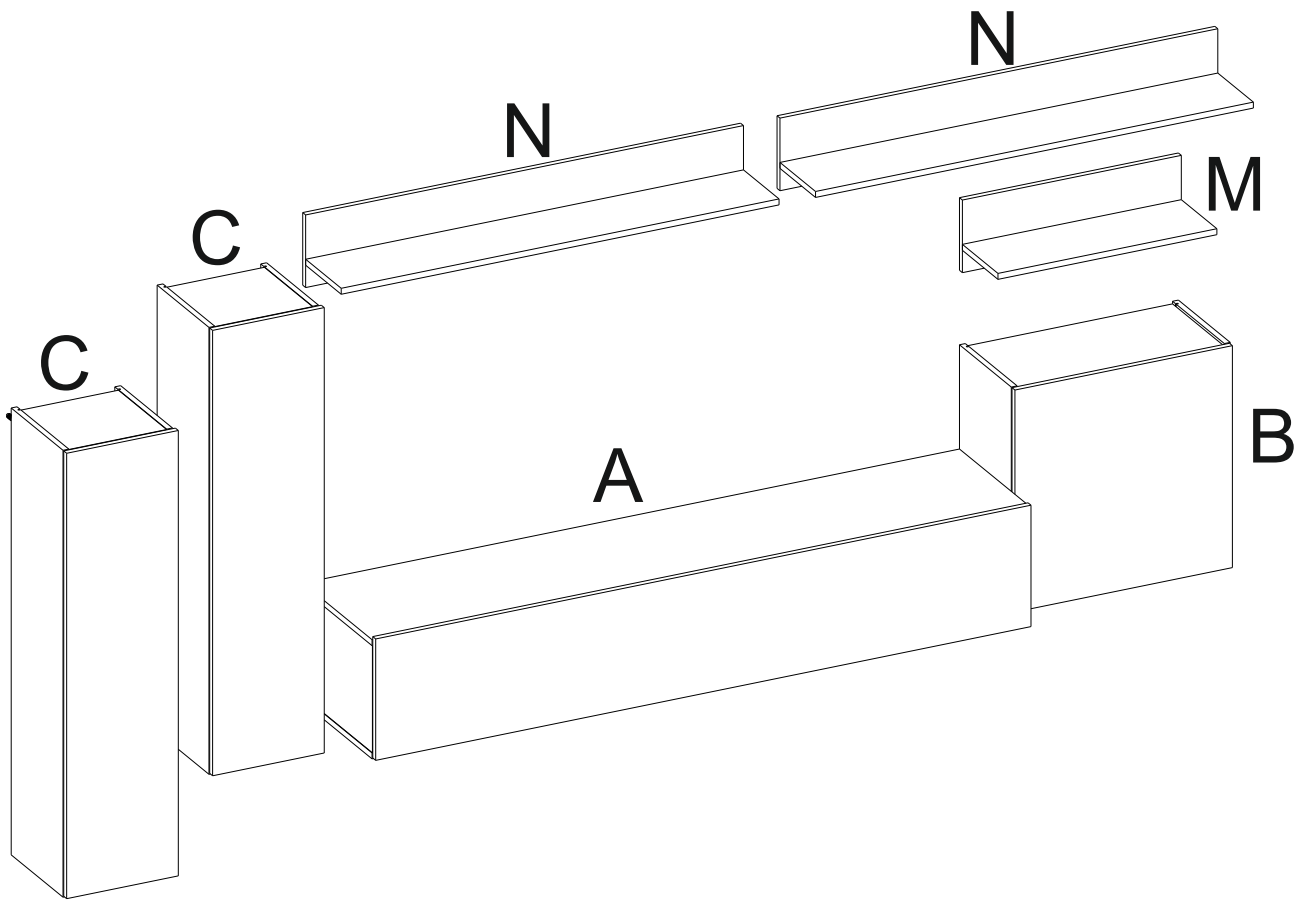
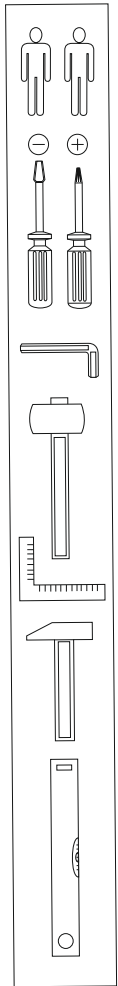
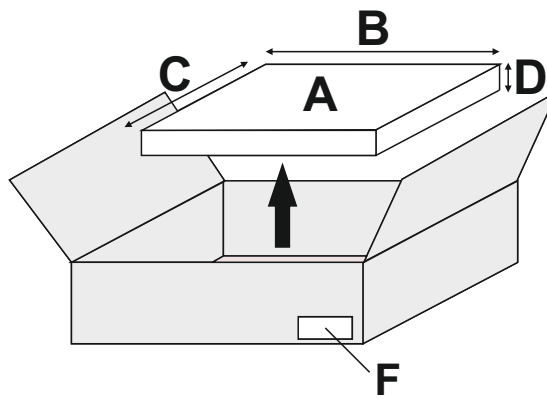
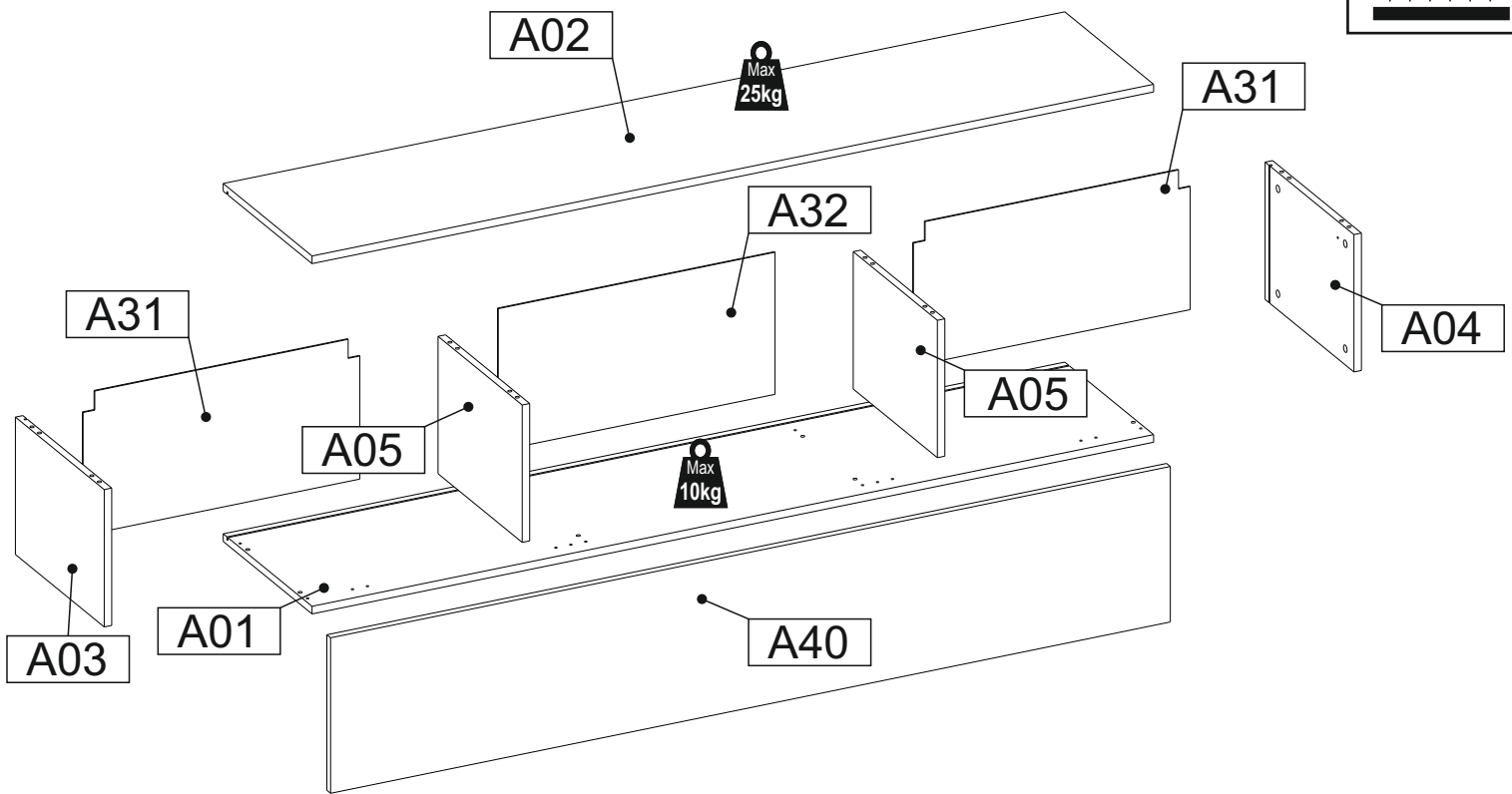
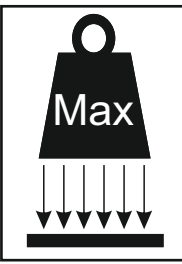


360 min



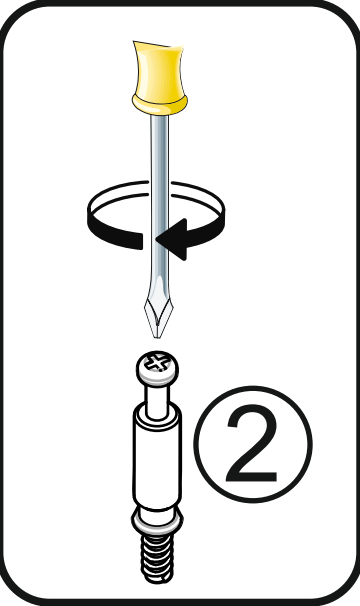
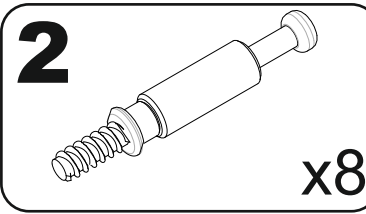
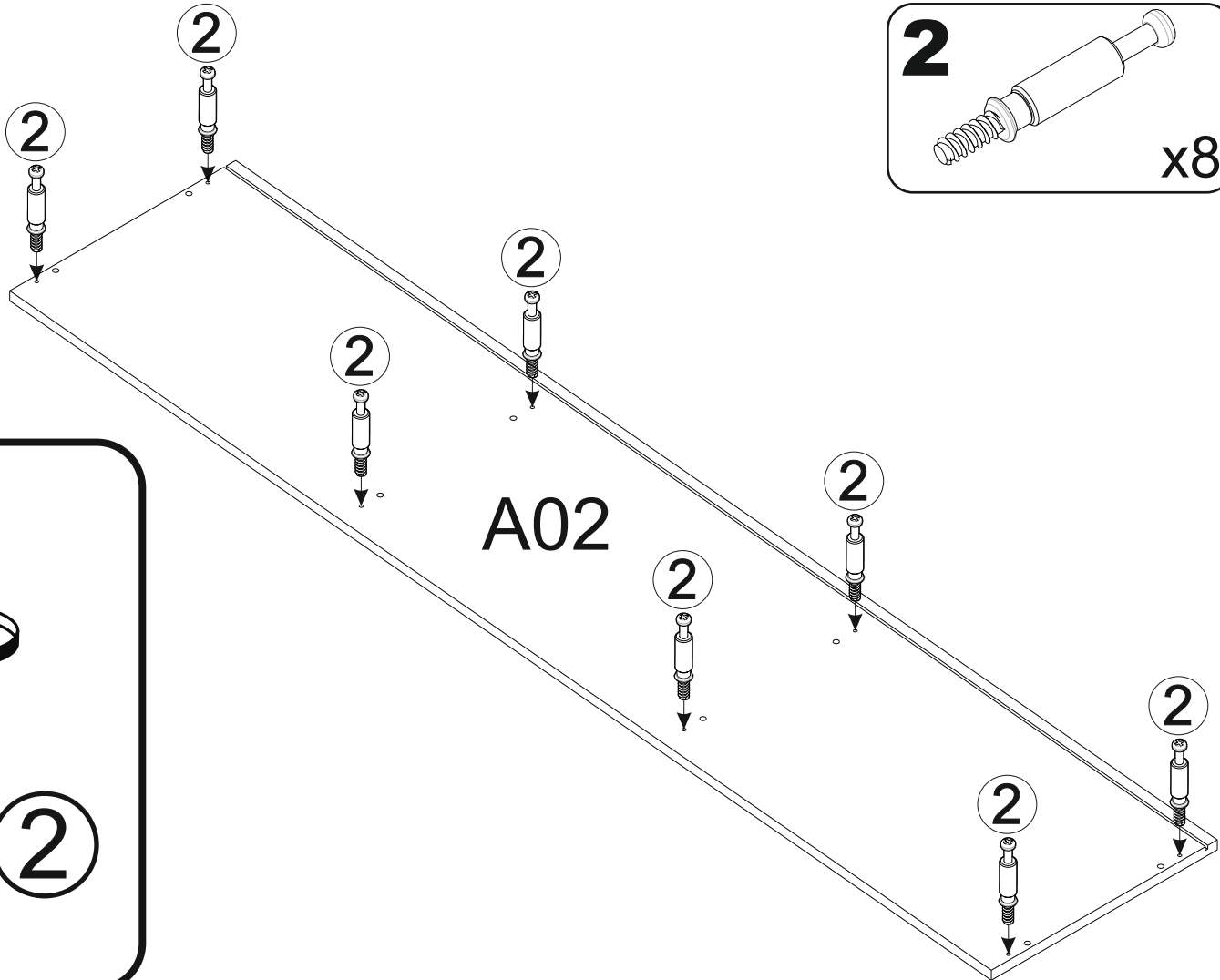


# A

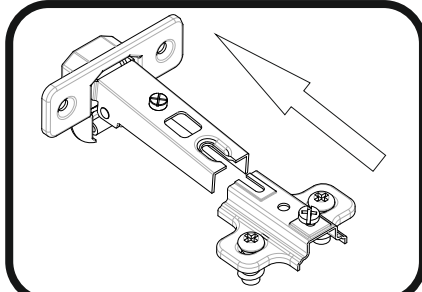
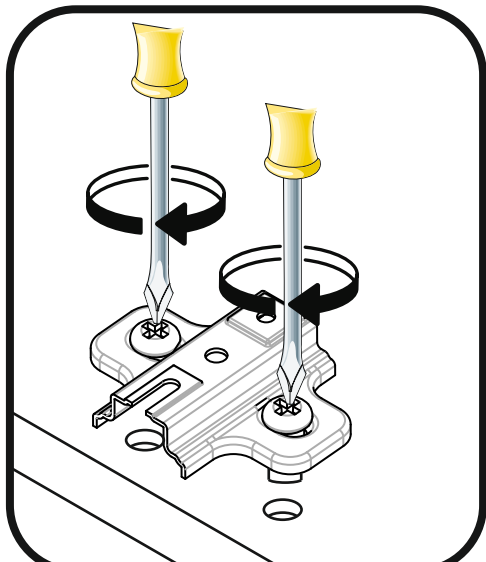
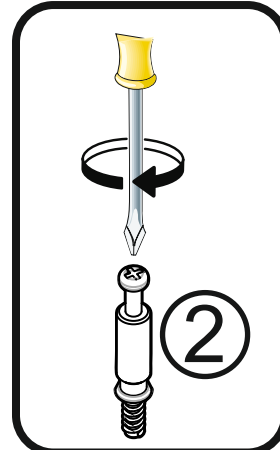
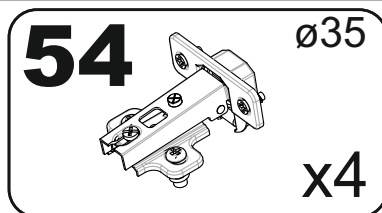
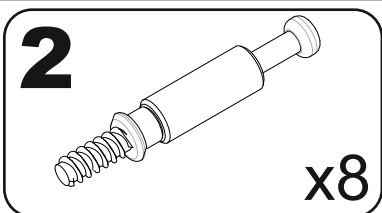
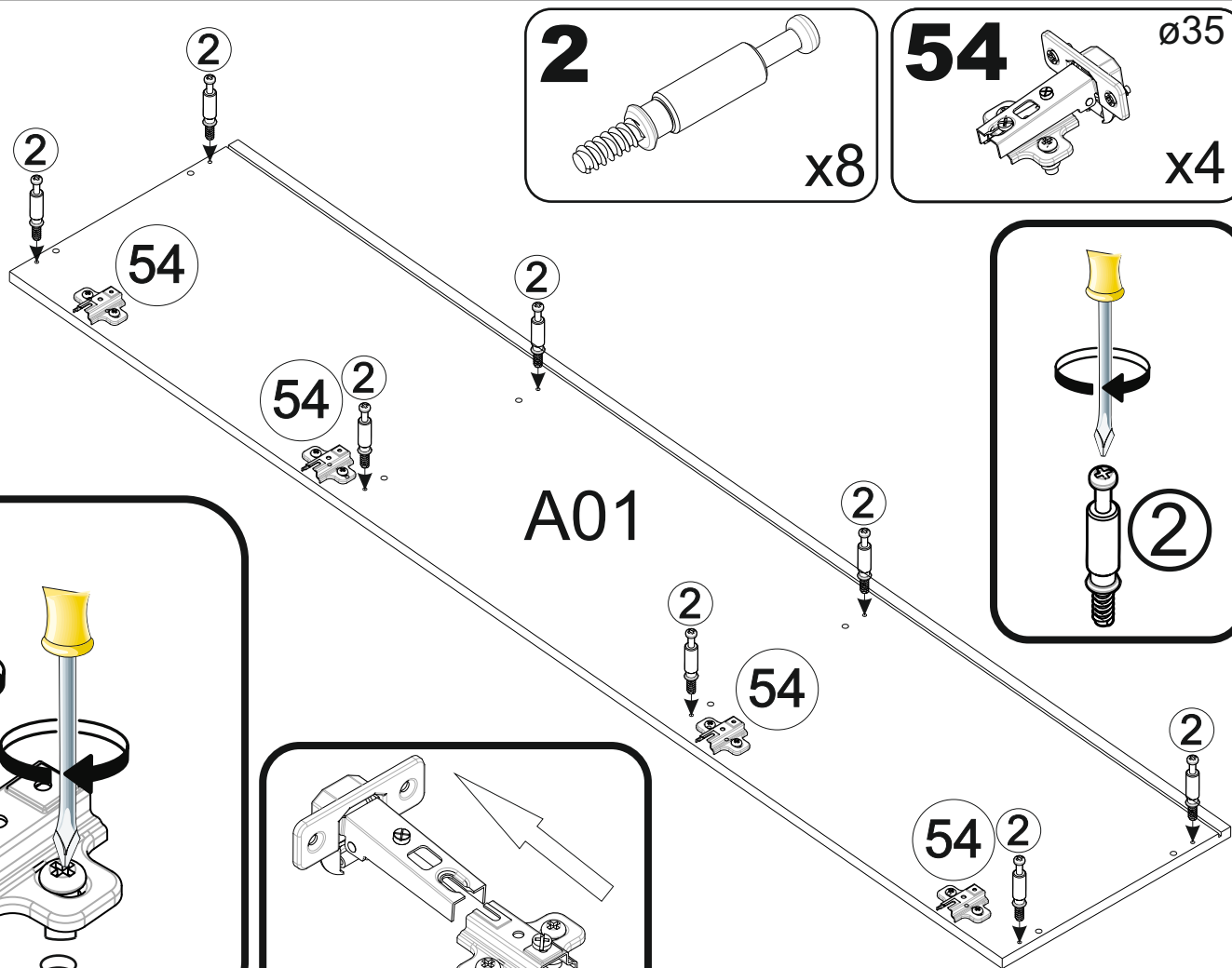


A	B_(mm)	C_(mm)	D_(mm)	E	F
A01	1800	380	16	1	2 4
A02	1800	380	16	1	2 4
A03	288	380	16	1	2 4
A04	288	380	16	1	2 4
A05	288	360	16	2	2 4
A31	592	298	3	2	2 4
A32	592	298	3	1	2 4
A40	1796	326	16	1	2 4

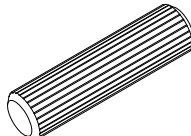
**1**

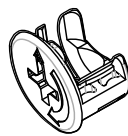


**2**

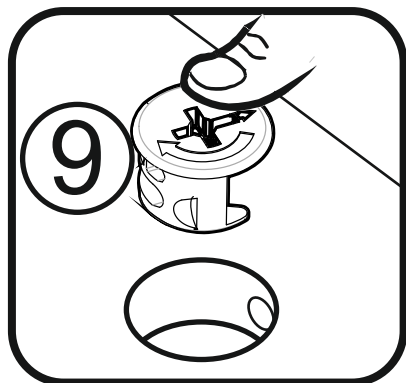
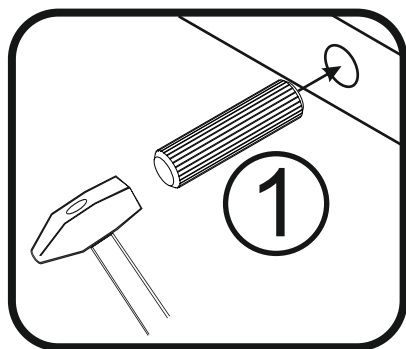
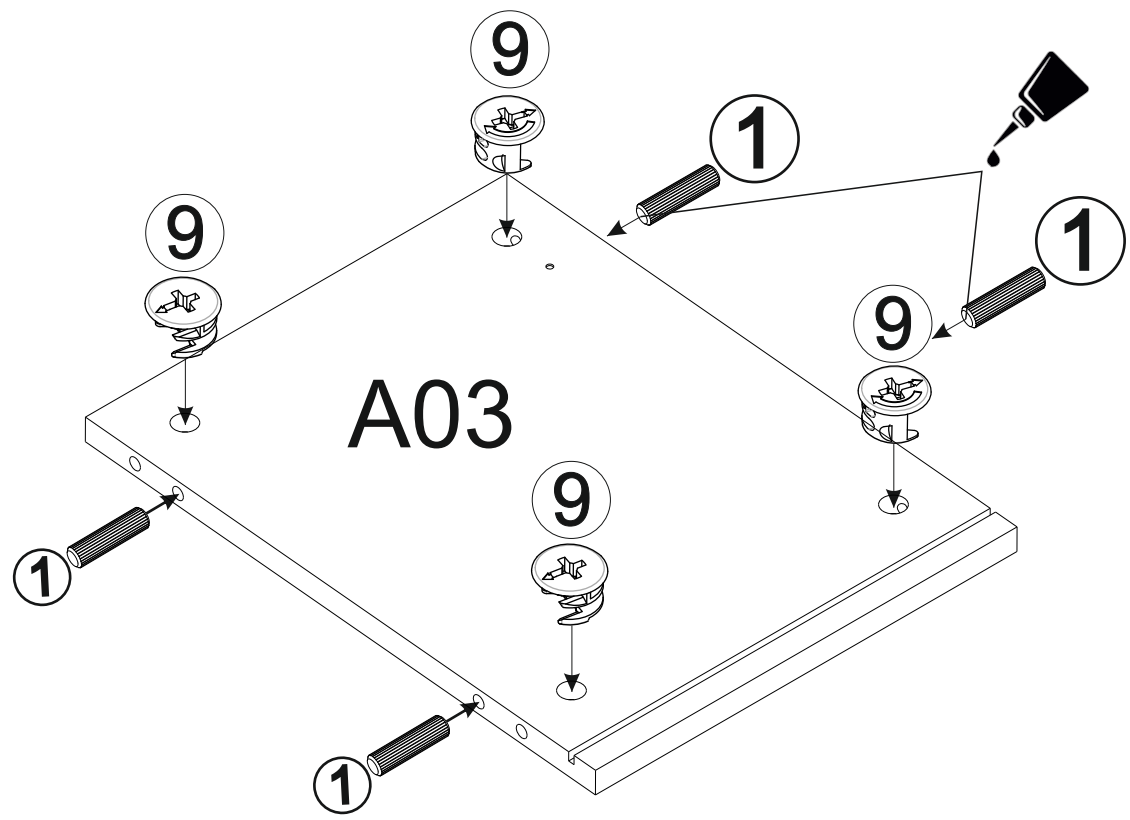


# 3

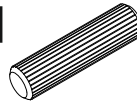
**1**  x4


**9**   $\varnothing 15$  x4

**32**  x1

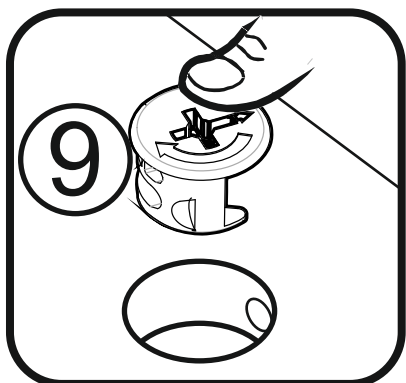
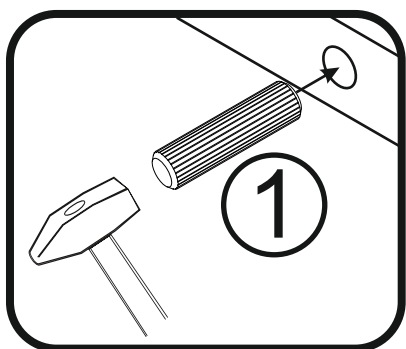
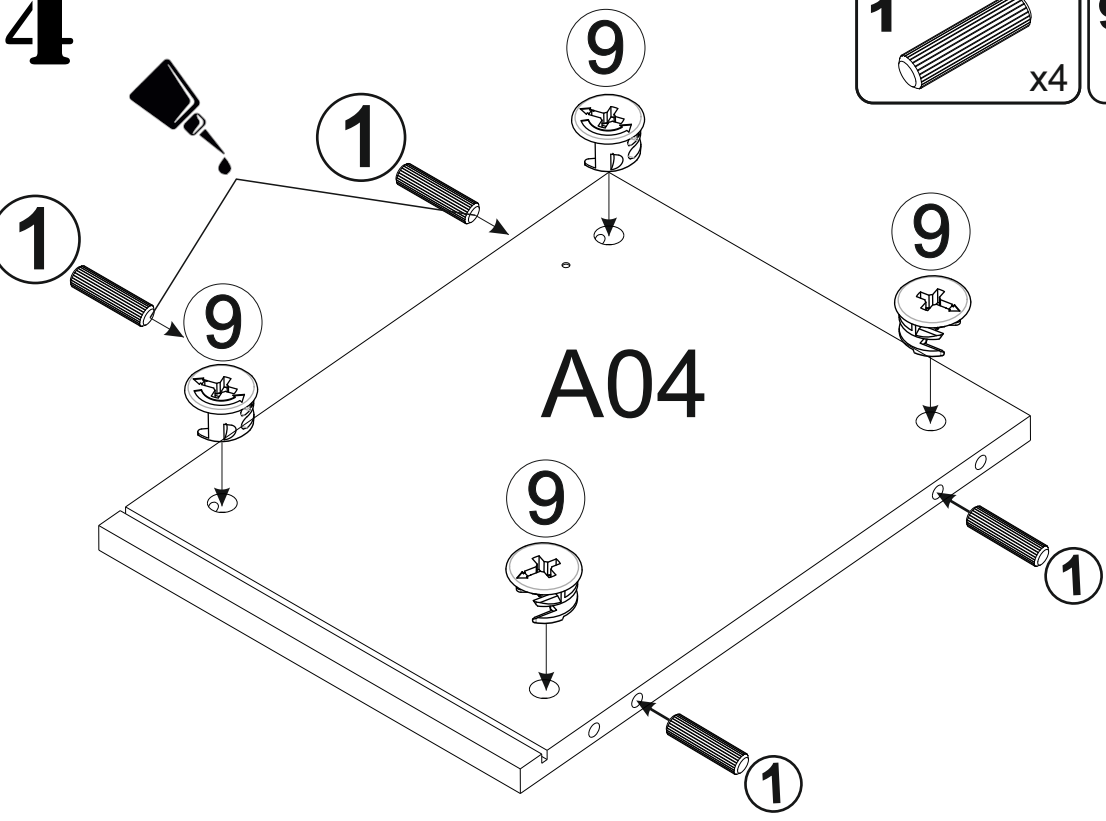


# 4

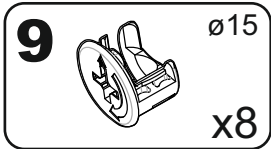
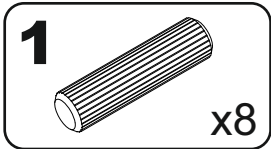
**1**  x4

**9**   $\varnothing 15$  x4

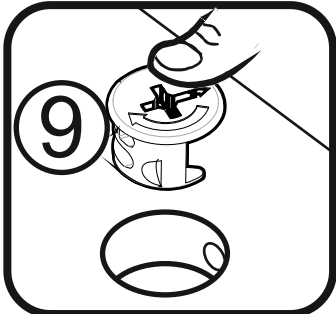
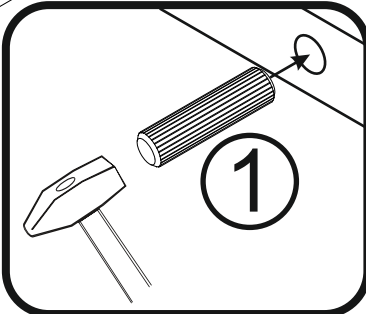
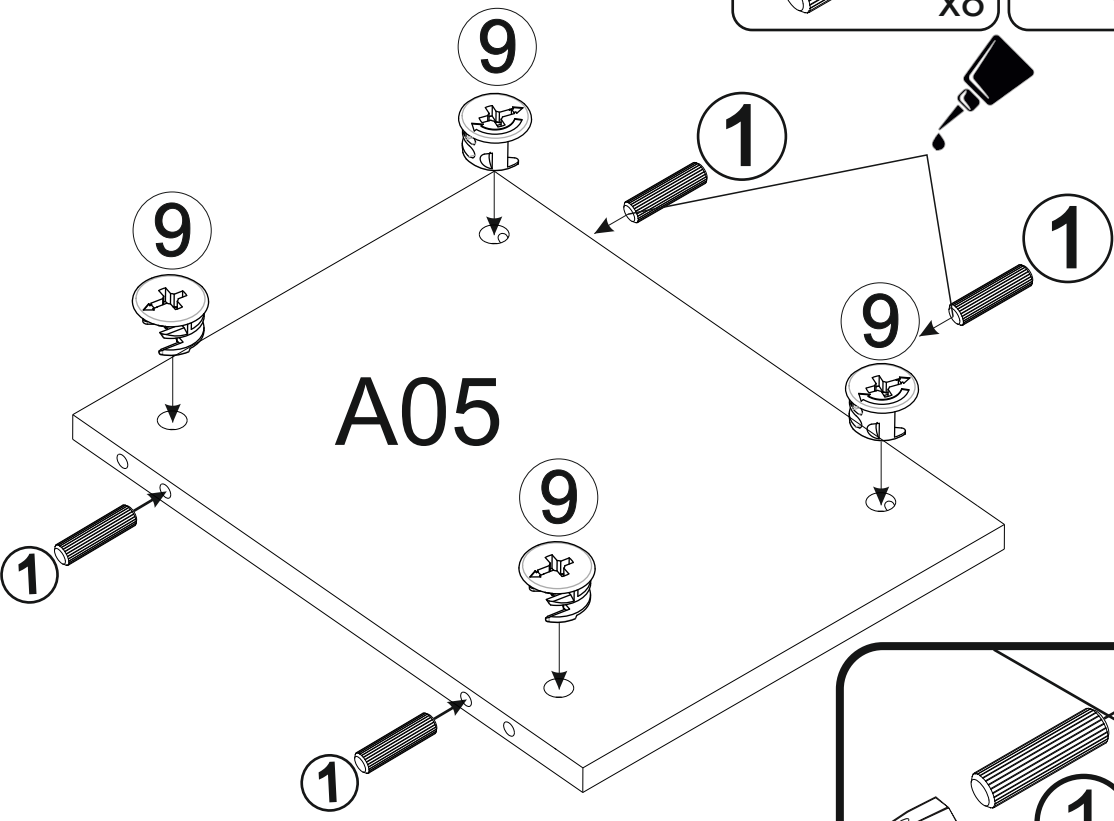
**32**  x1



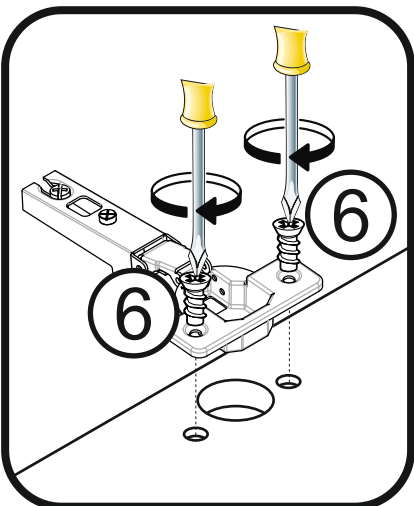
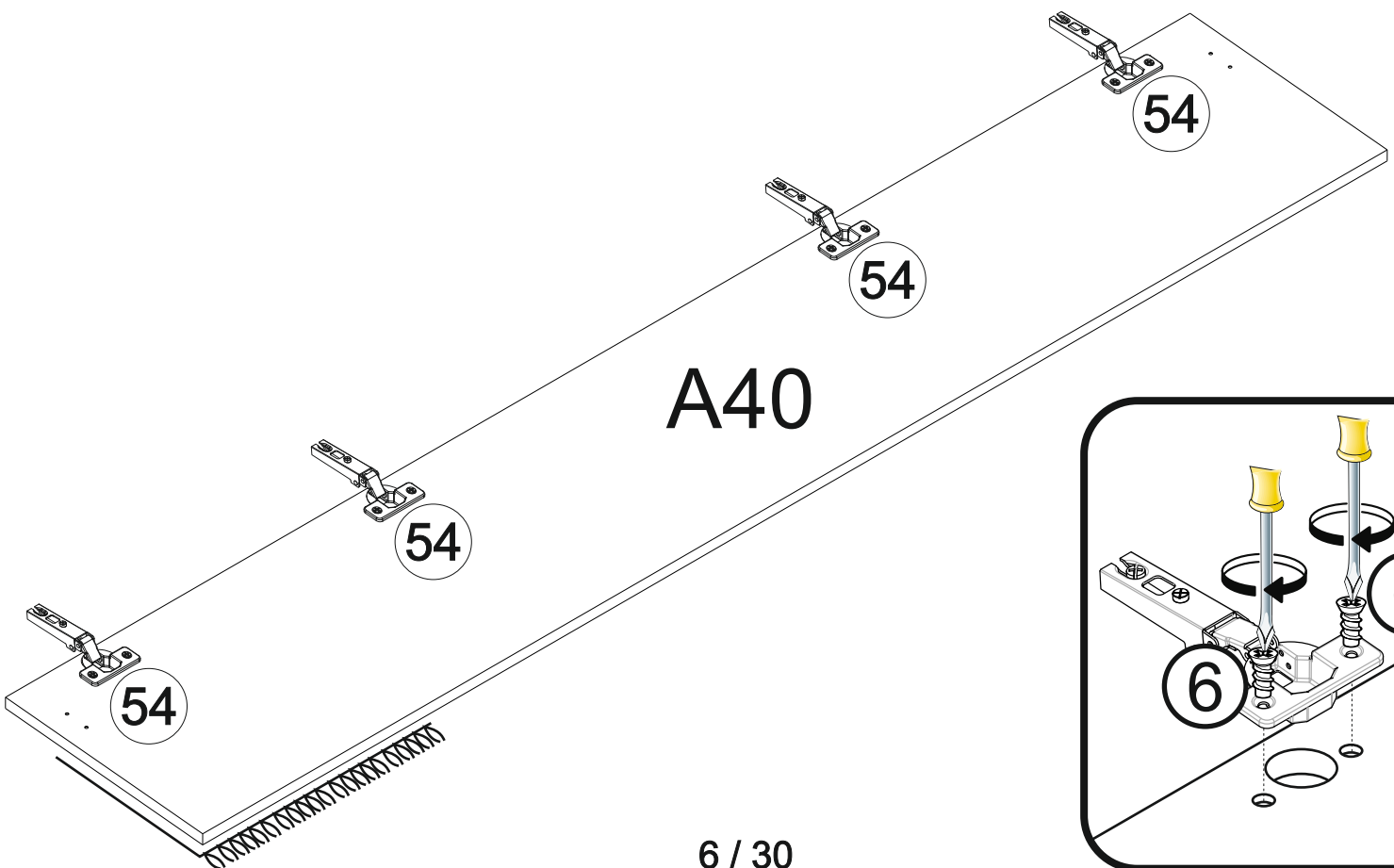
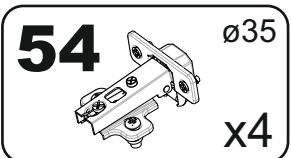
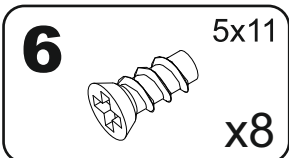
# 5



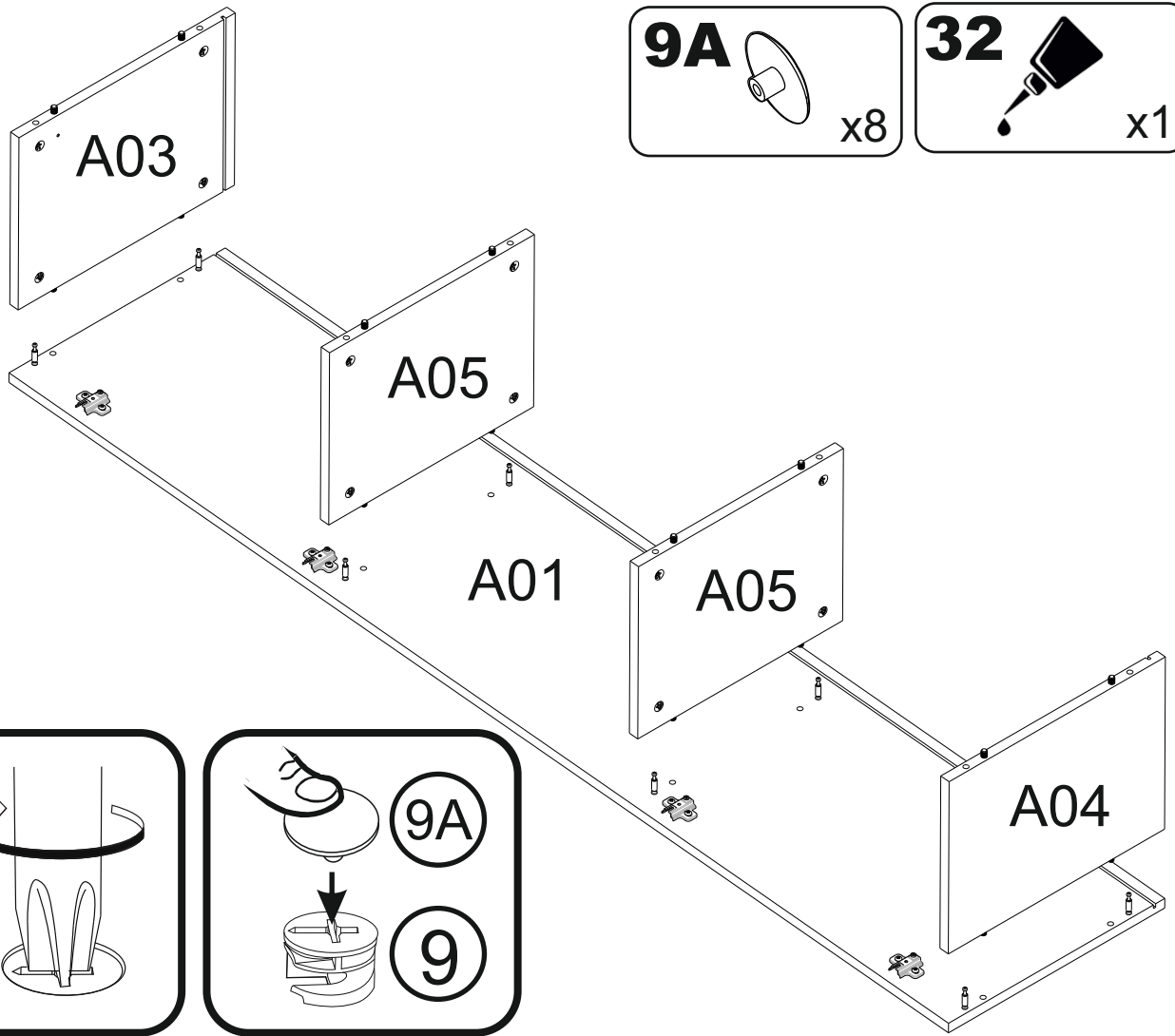
# x2



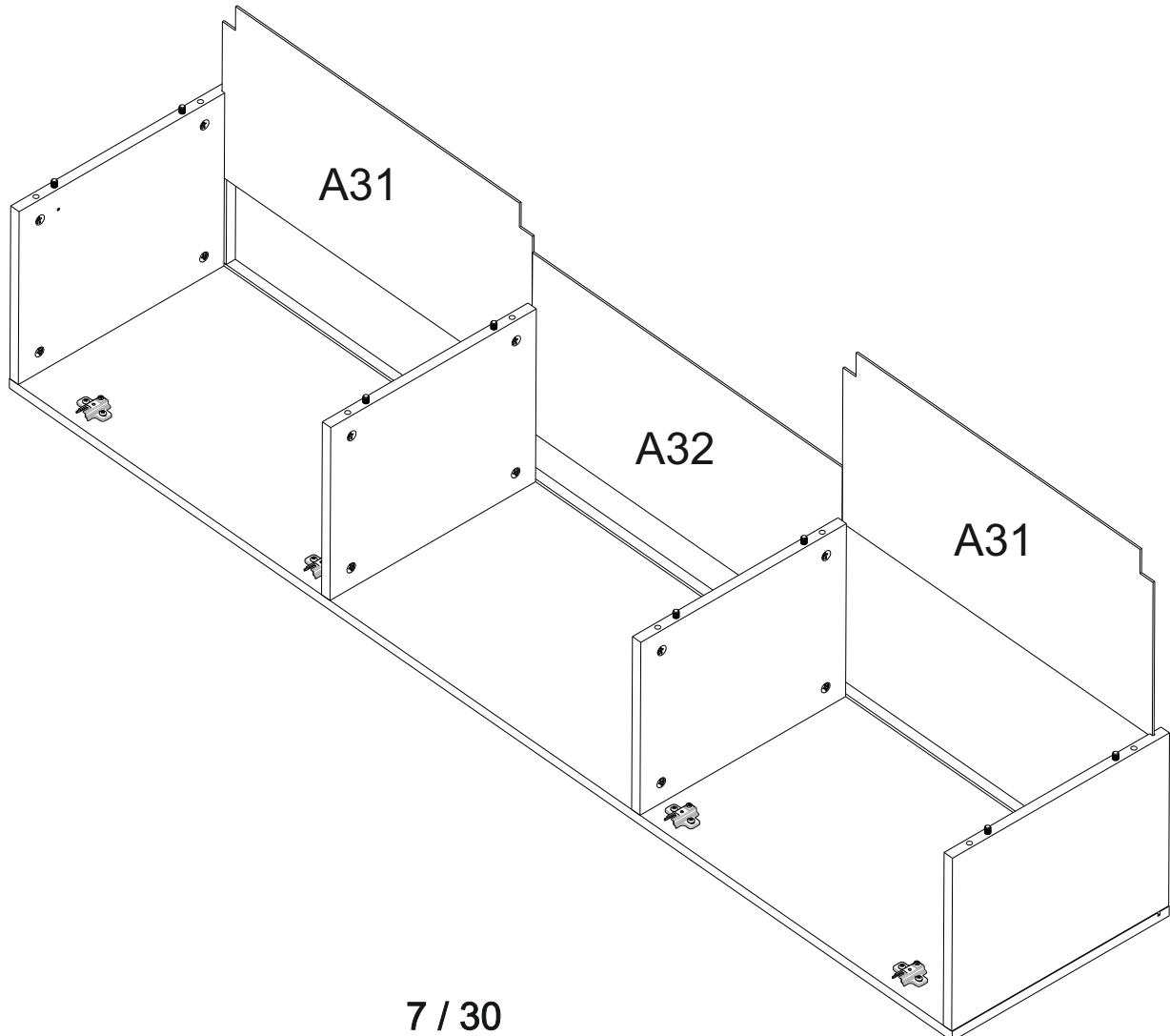
# 6



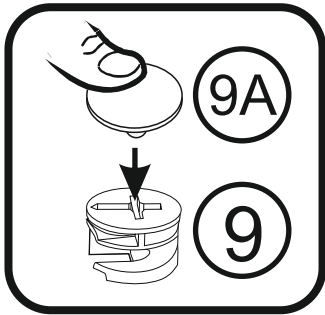
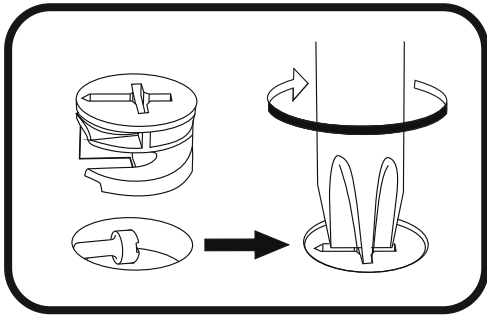
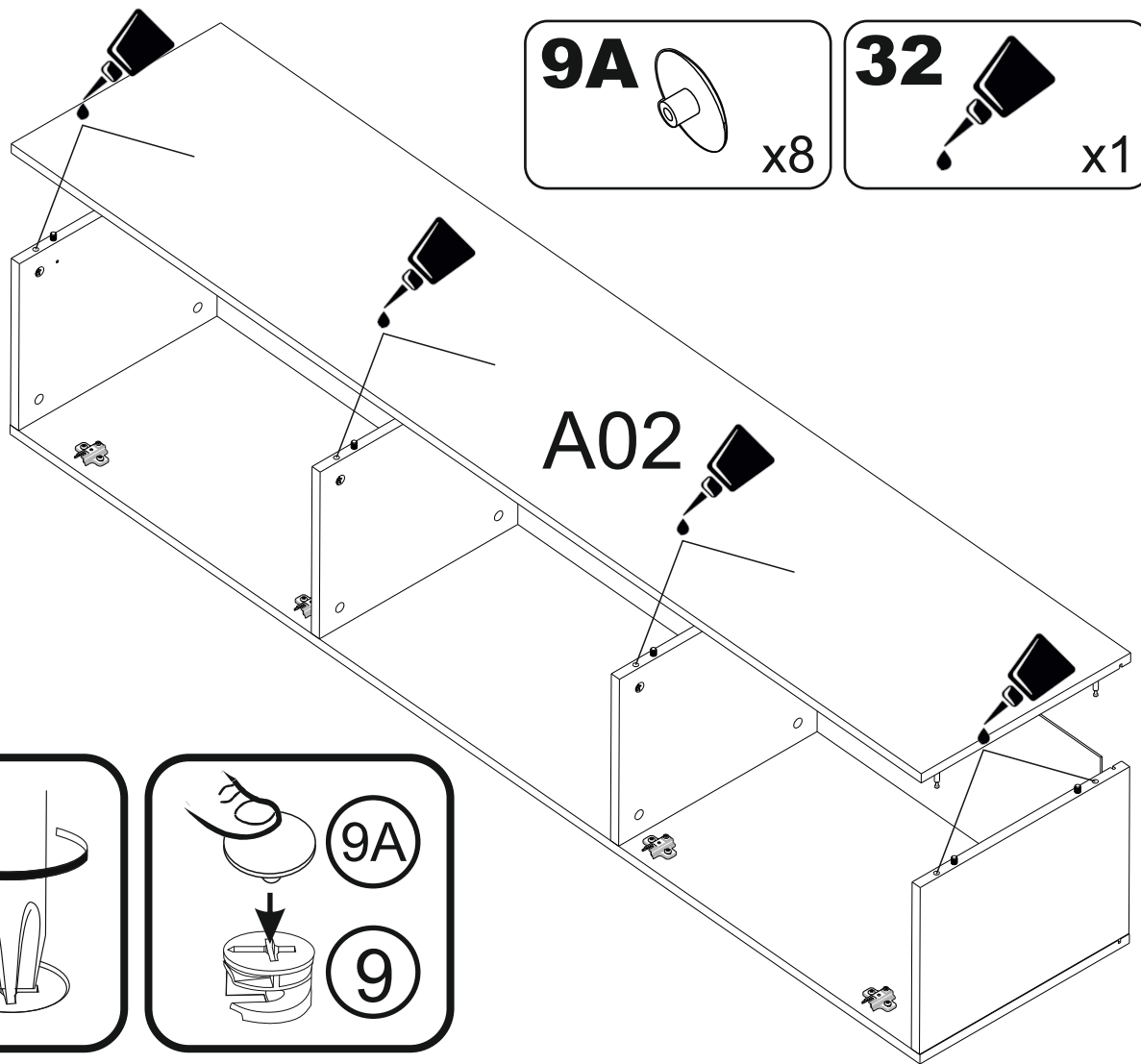
7



8

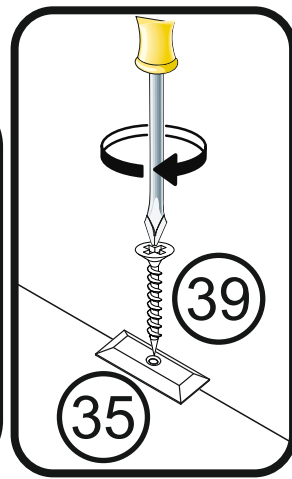
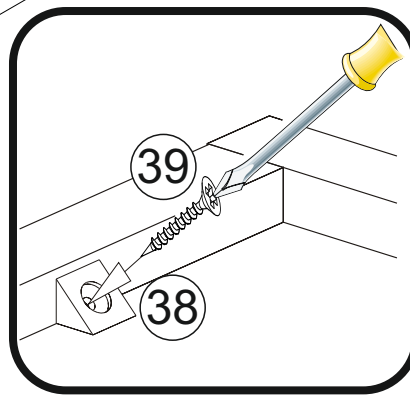
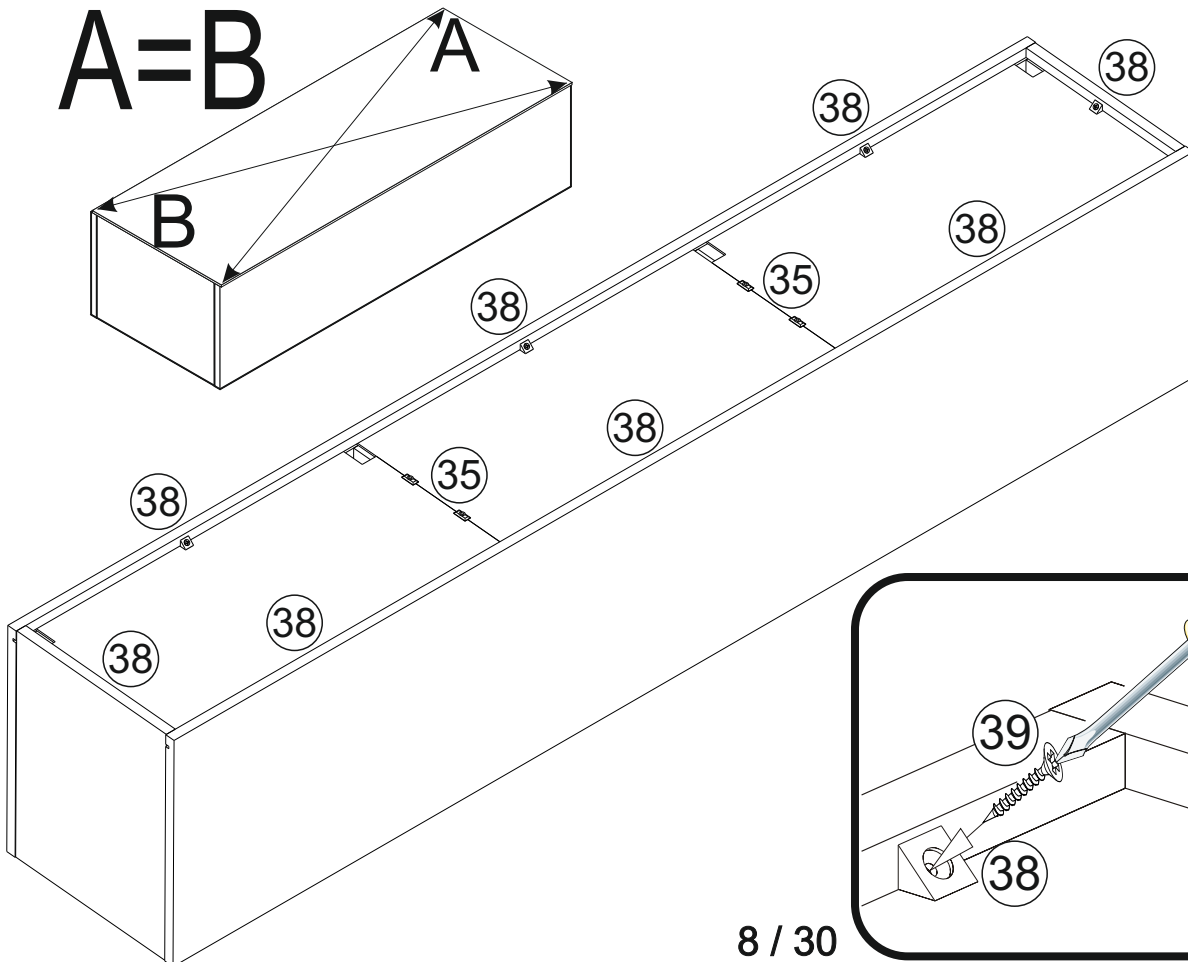


# 9



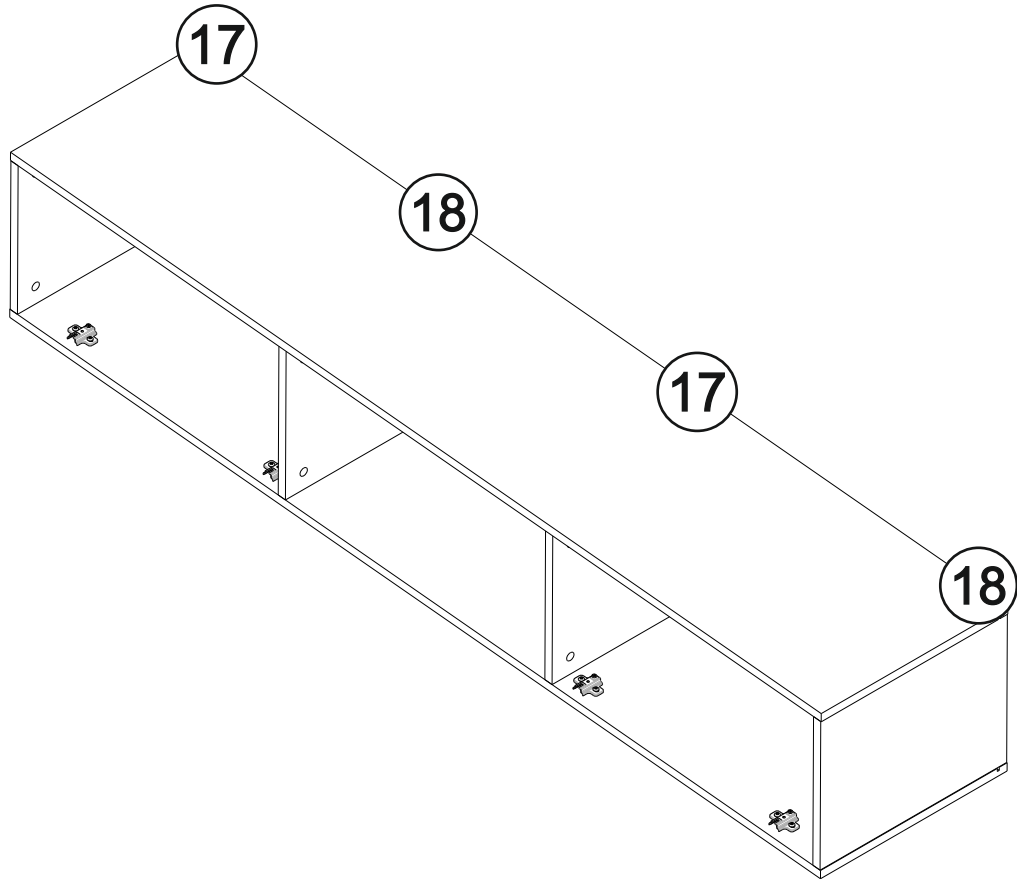
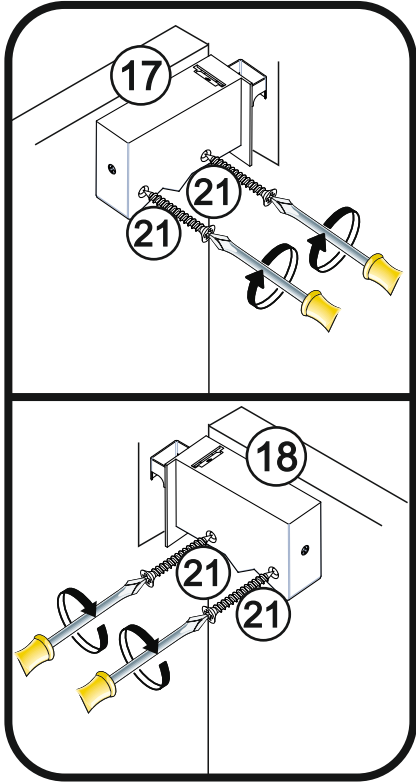
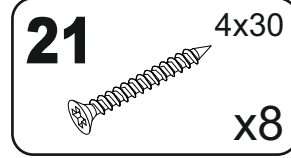
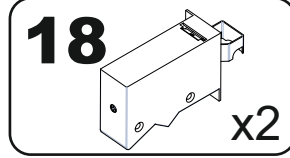
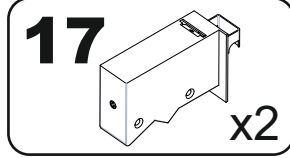
# 10

**A=B**

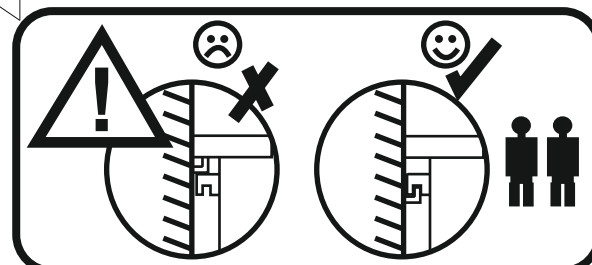
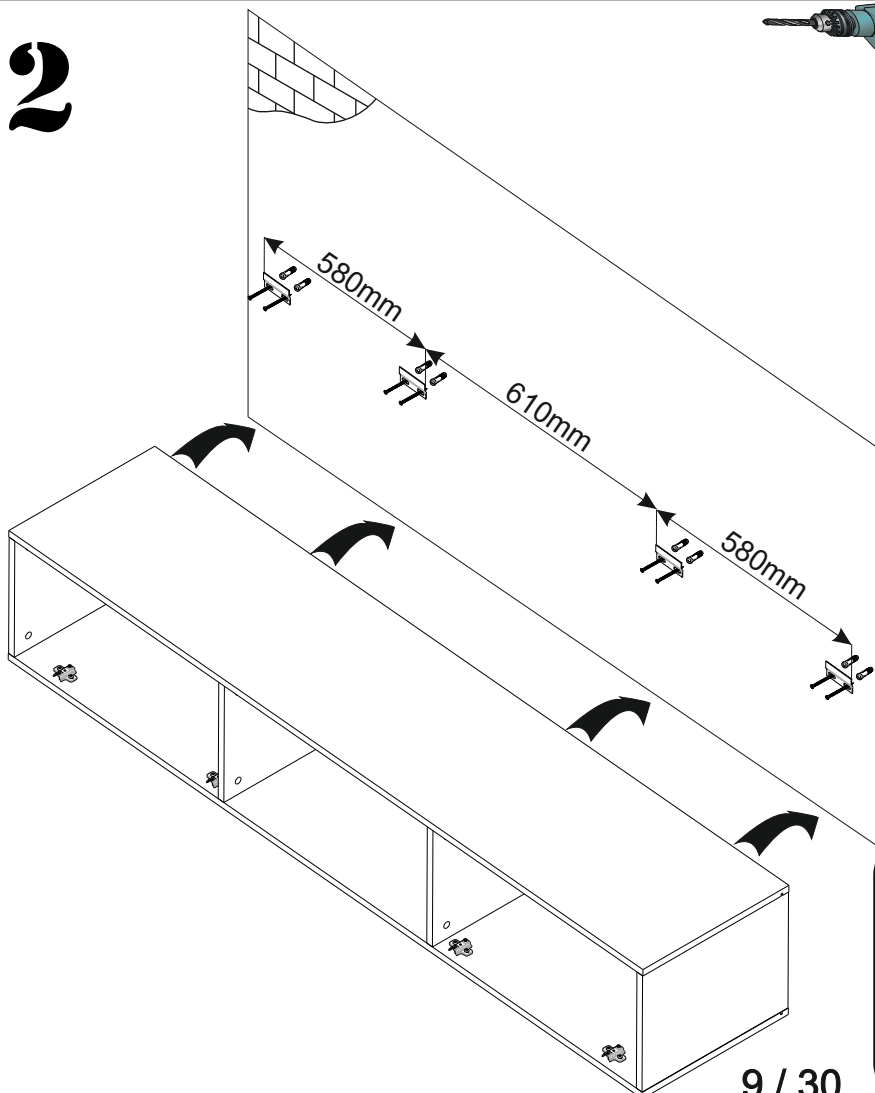
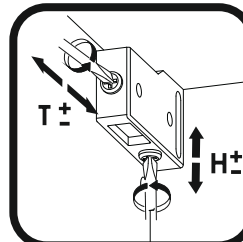
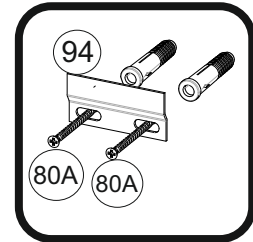
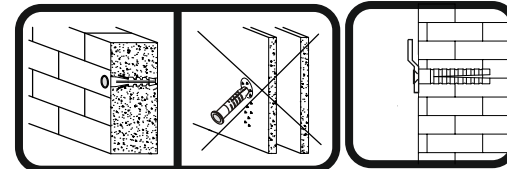
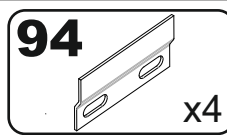
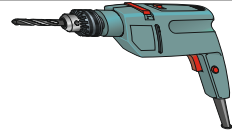




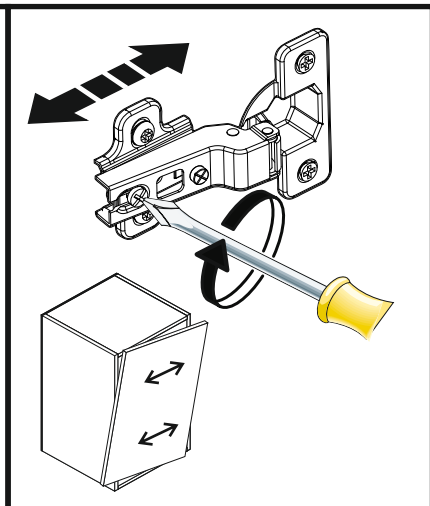
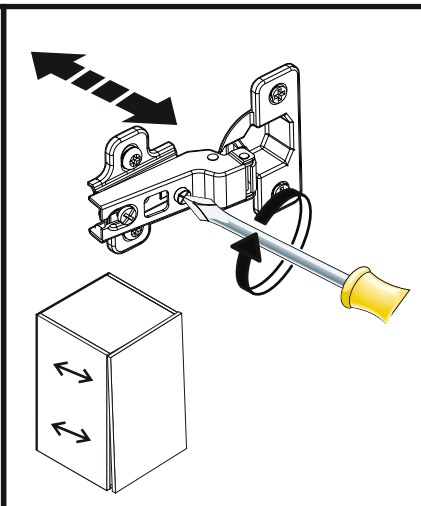
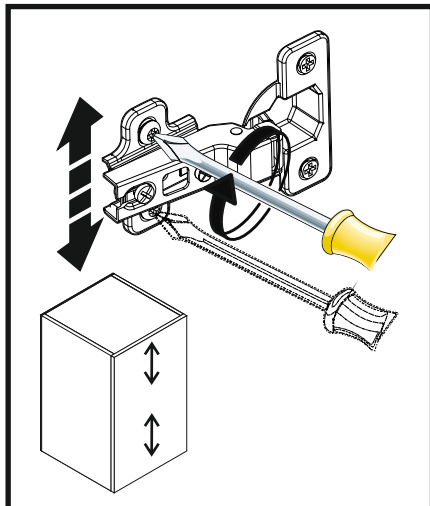
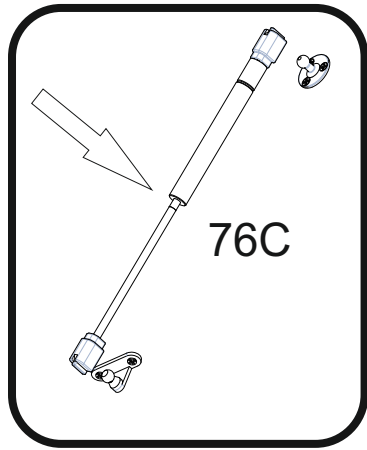
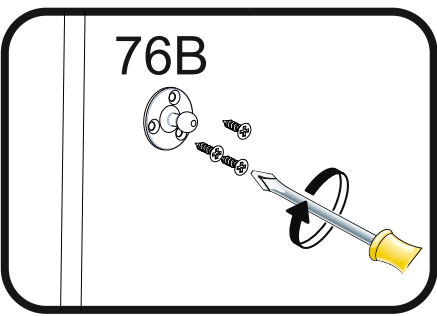
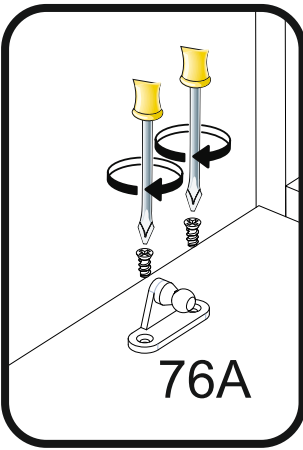
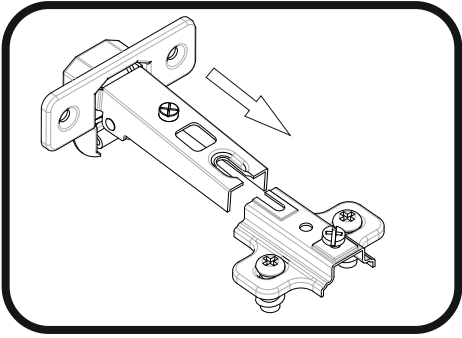
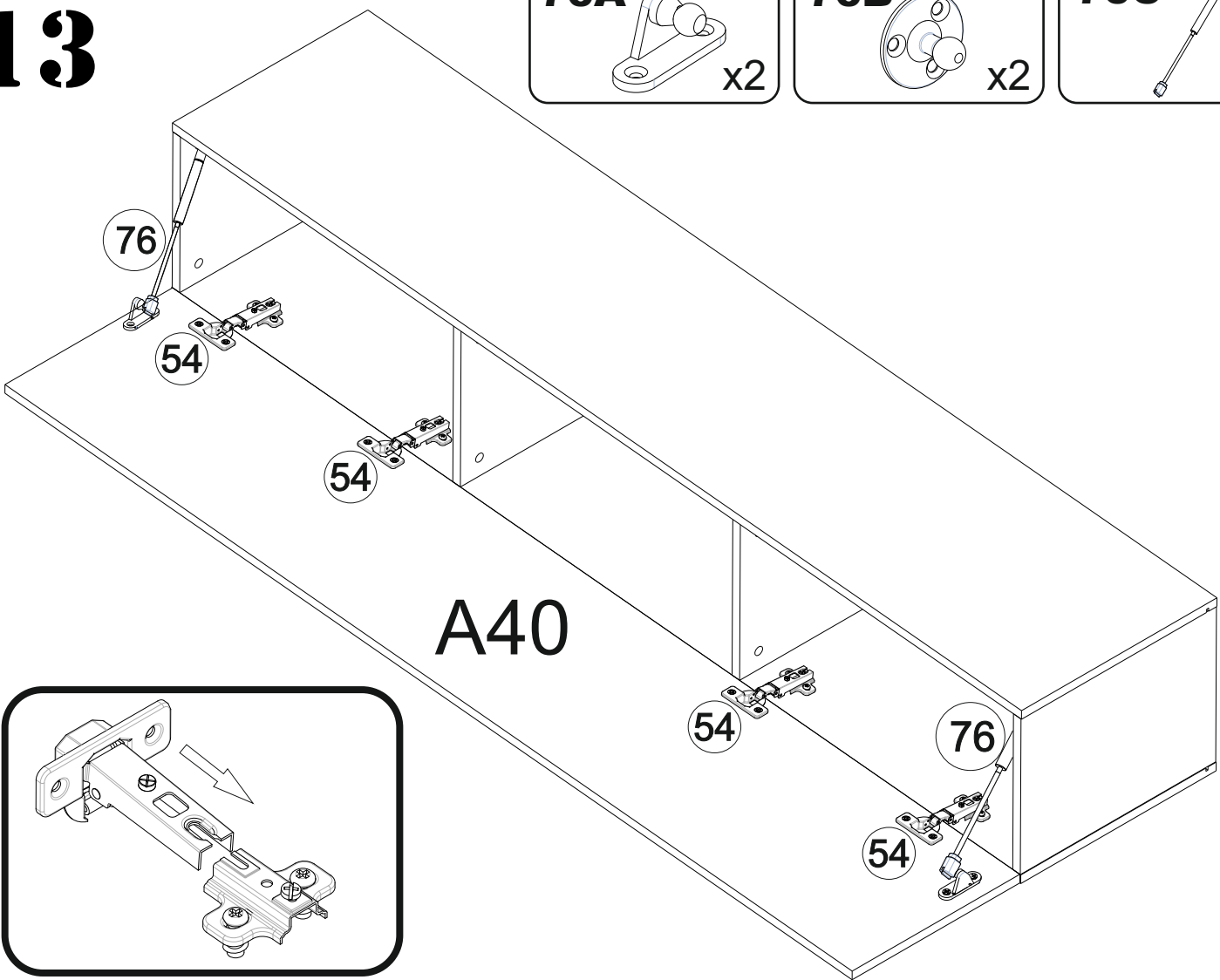
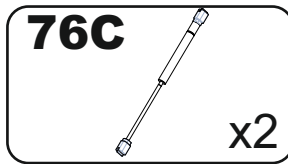
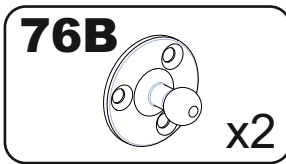
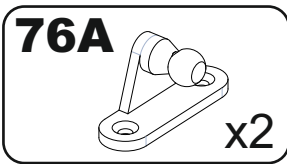
# 11



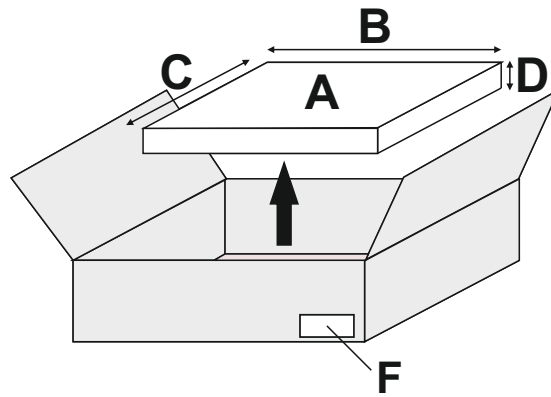
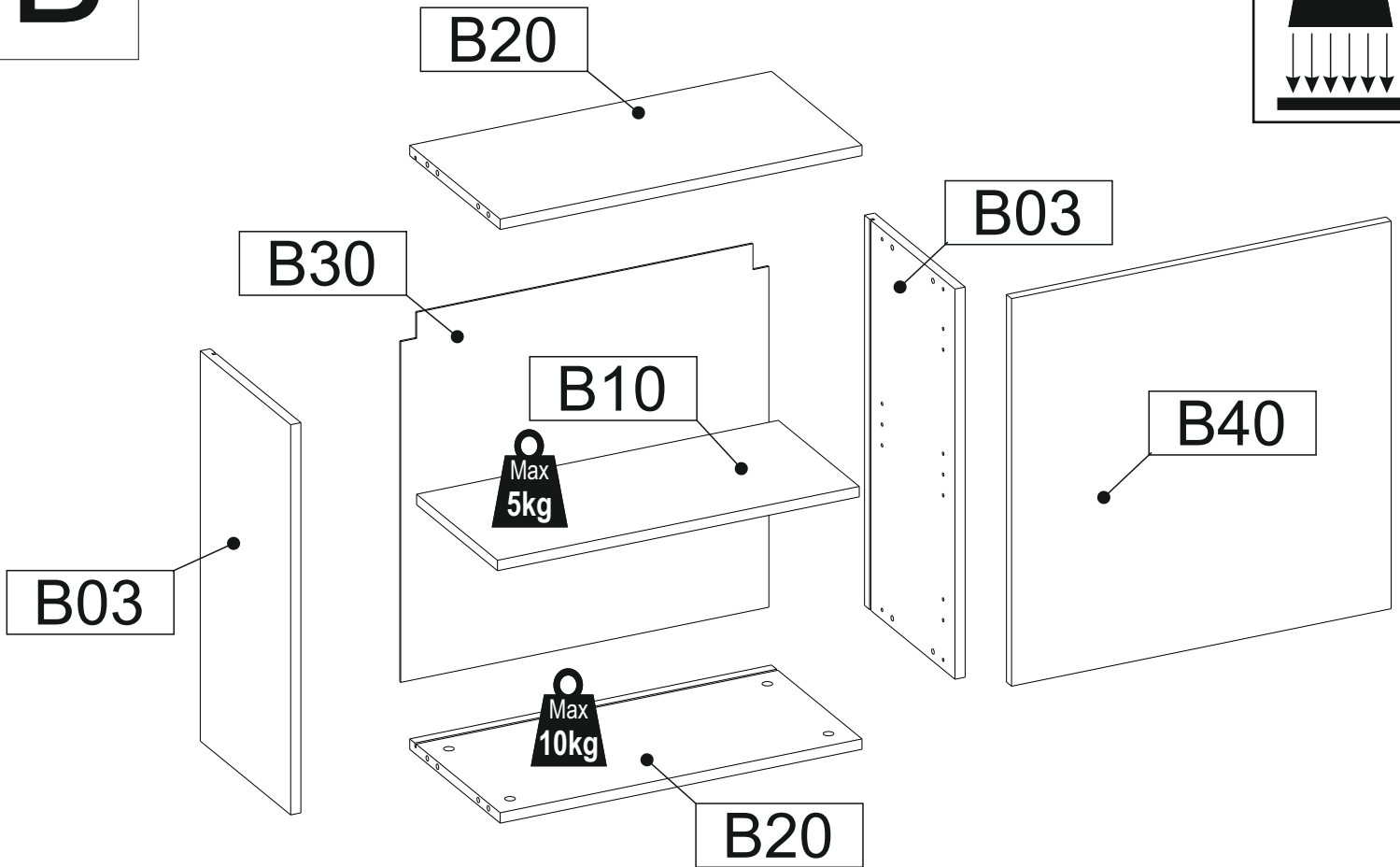
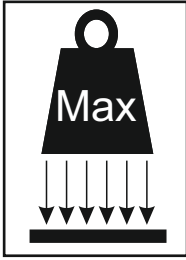
# 12



# 13

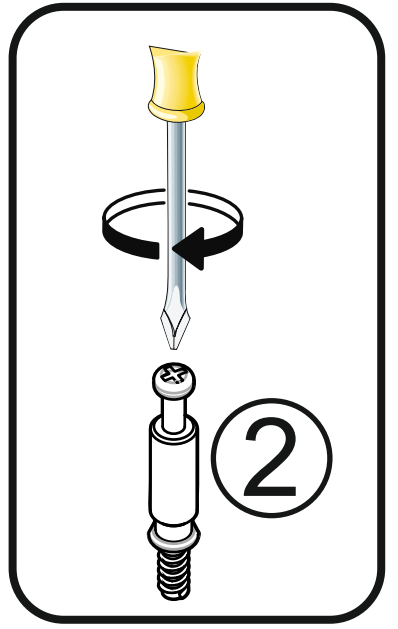
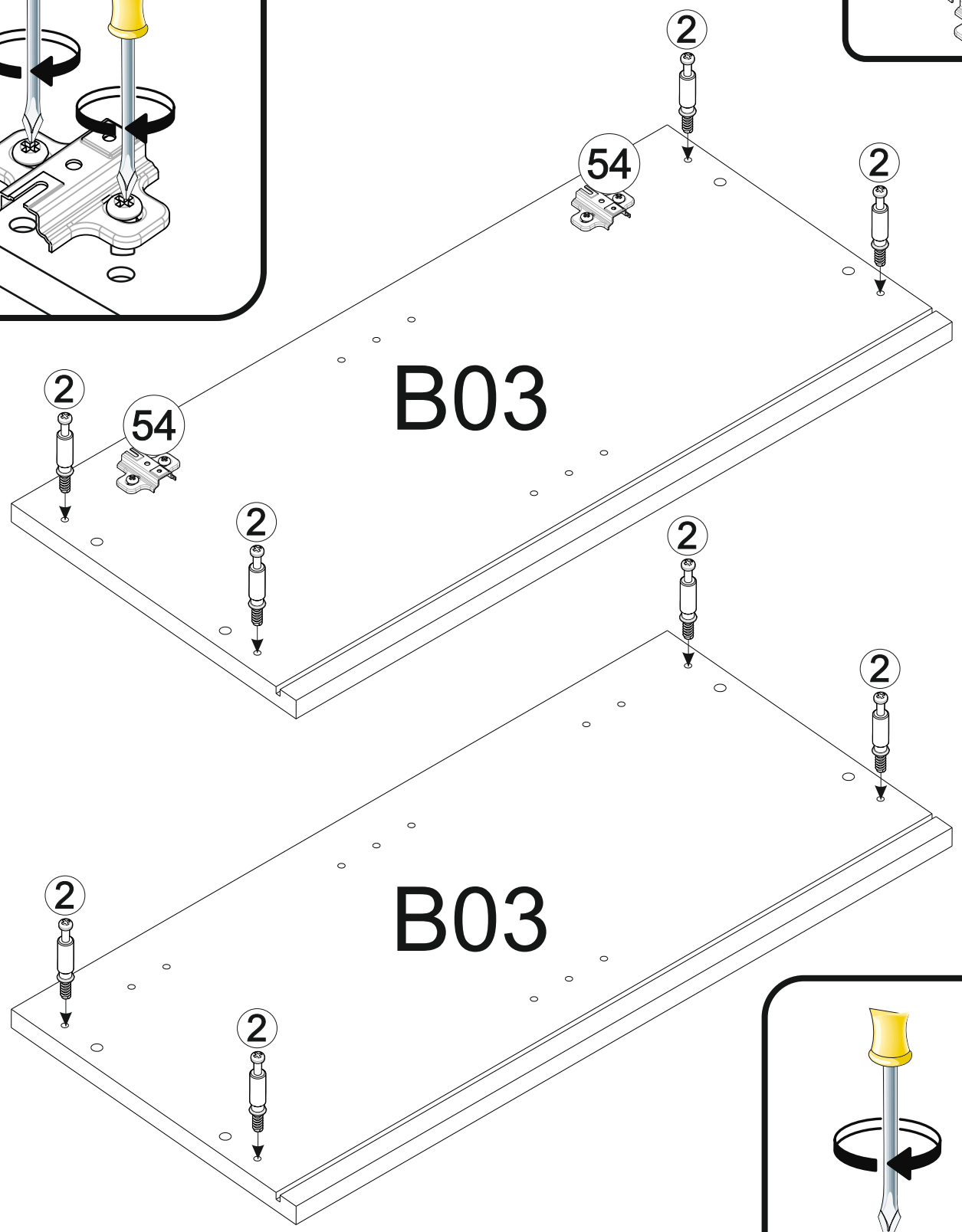
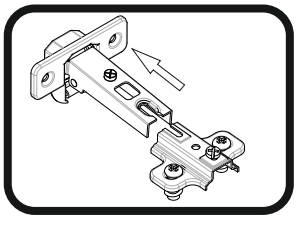
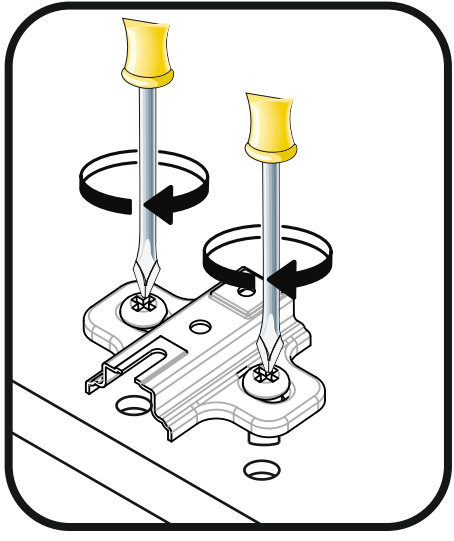
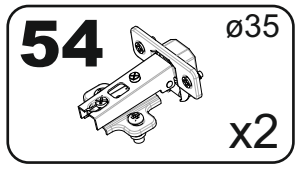
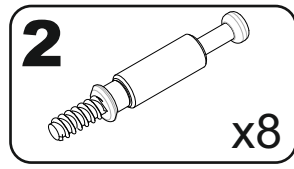


# B

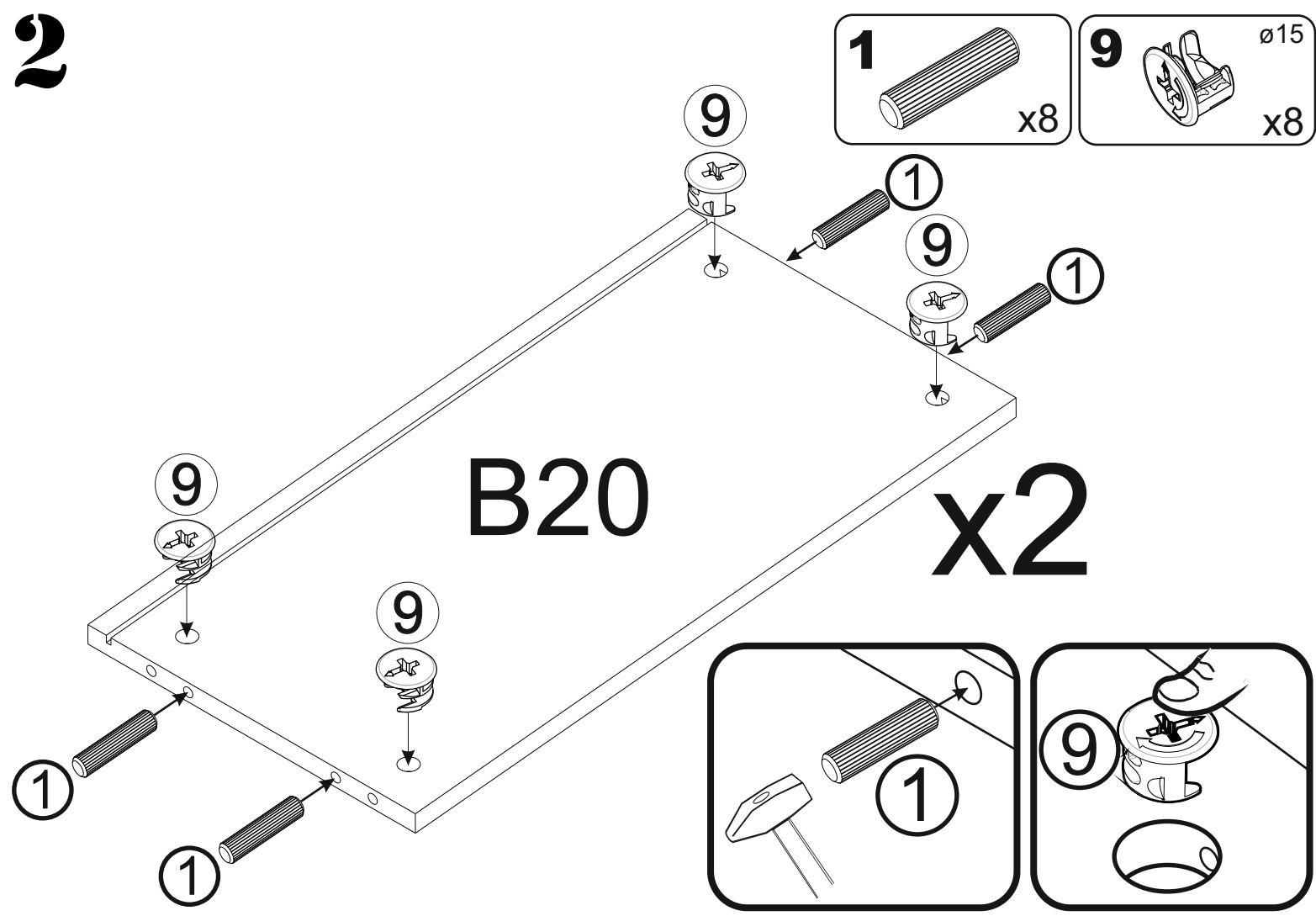


A	B_(mm)	C_(mm)	D_(mm)	E	F
B03	600	284	16	2	3 4
B10	568	254	16	1	3 4
B20	568	284	16	2	3 4
B30	564	578	3	1	3 4
B40	596	596	16	1	3 4

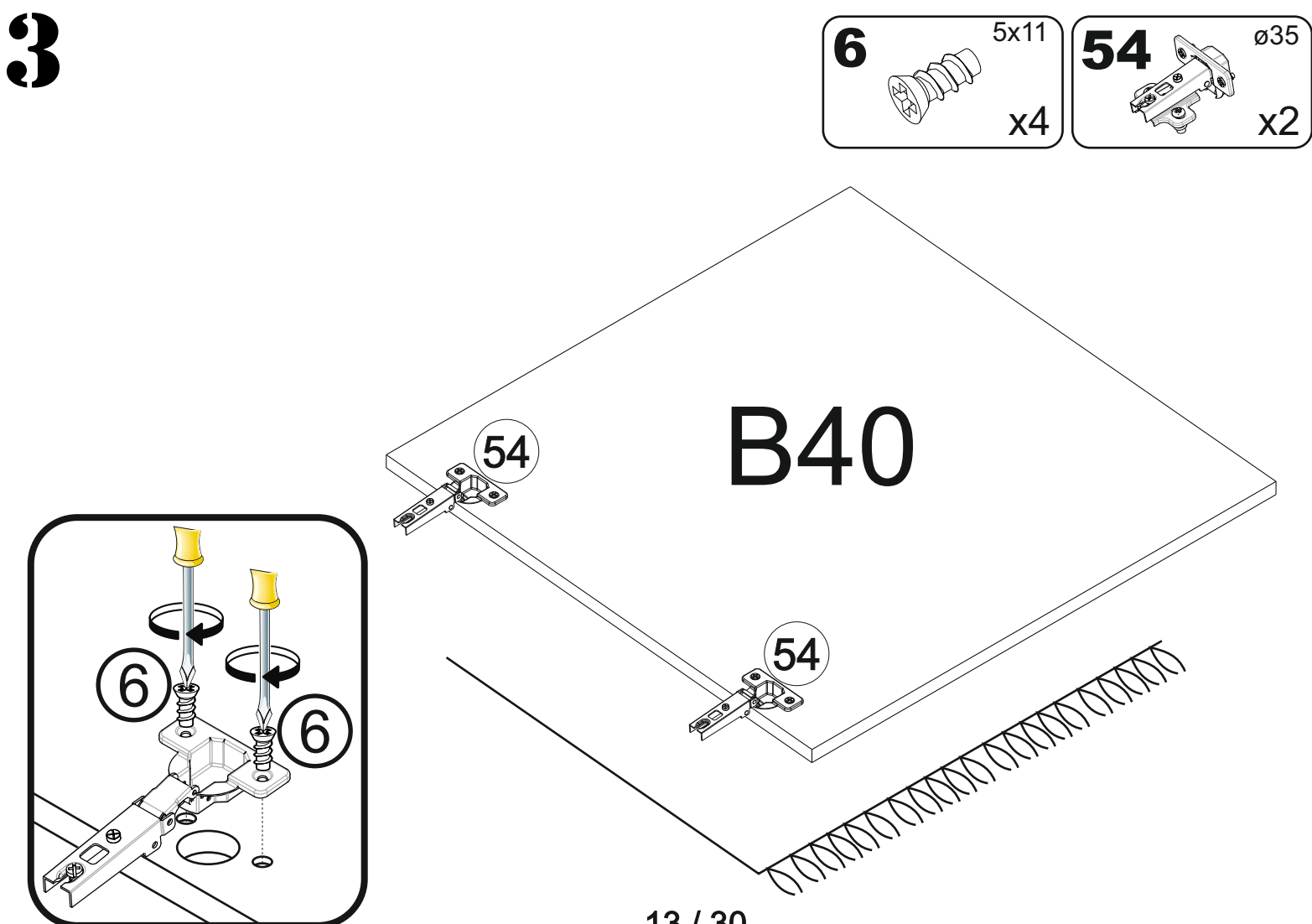
# 1




**2**

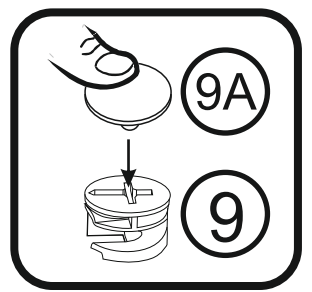
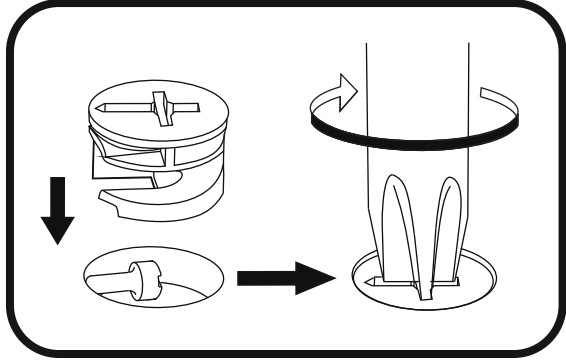
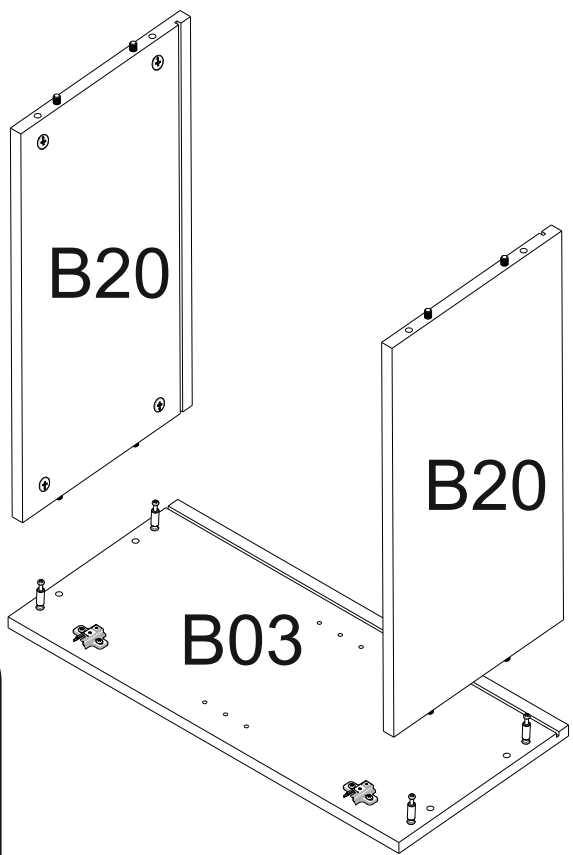


**3**

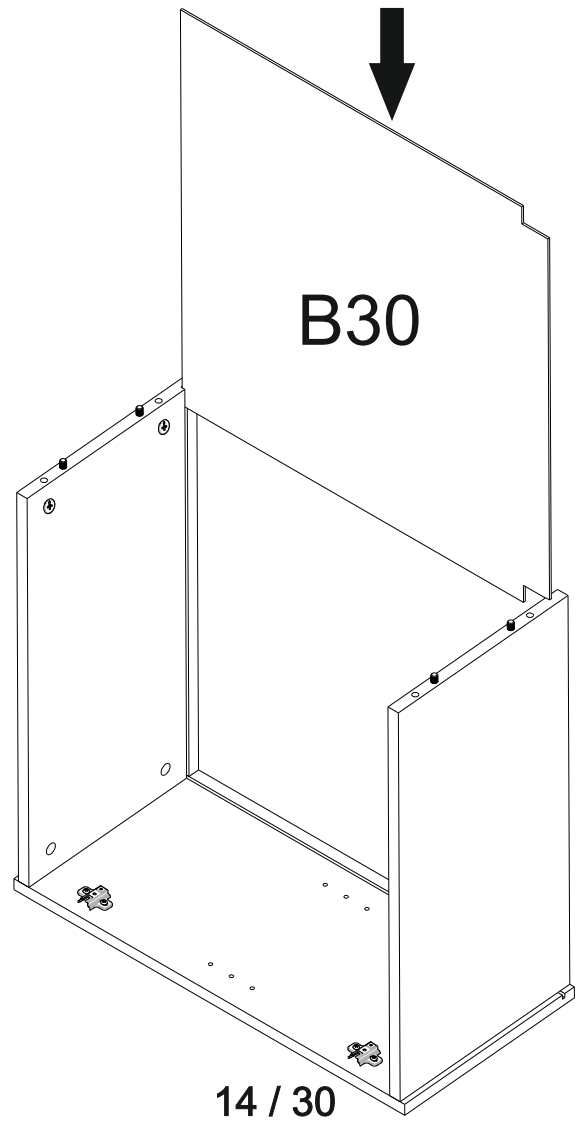


4

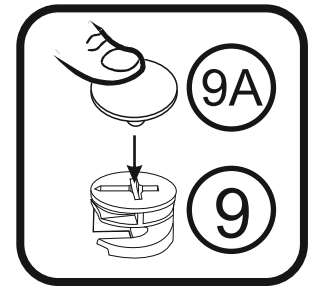
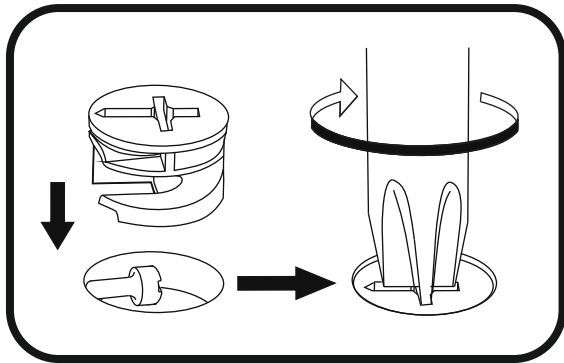
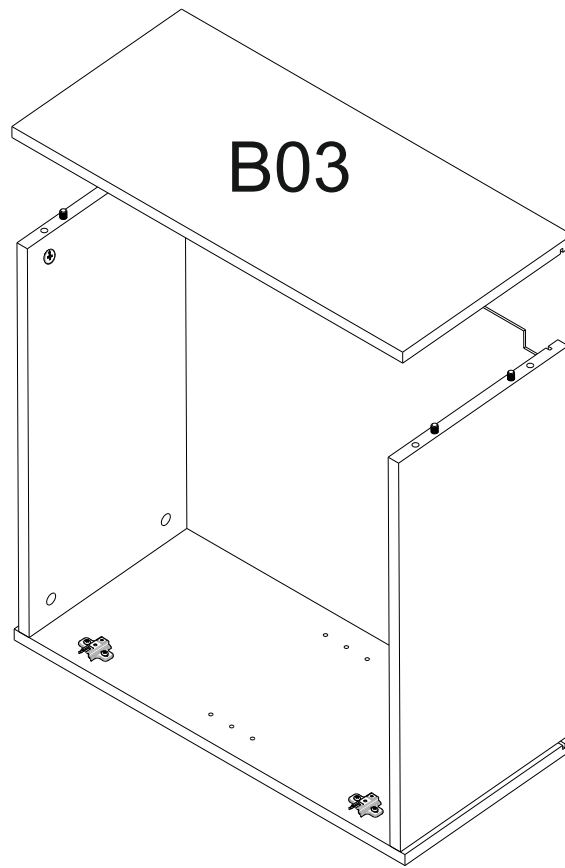
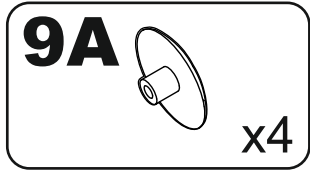
9A  x4



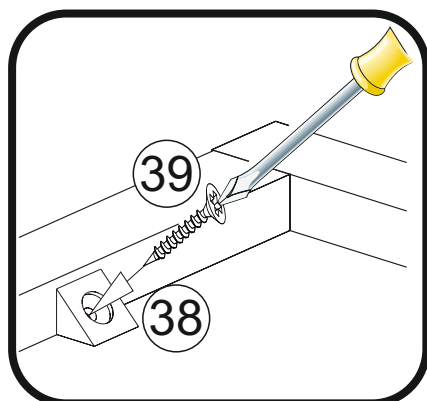
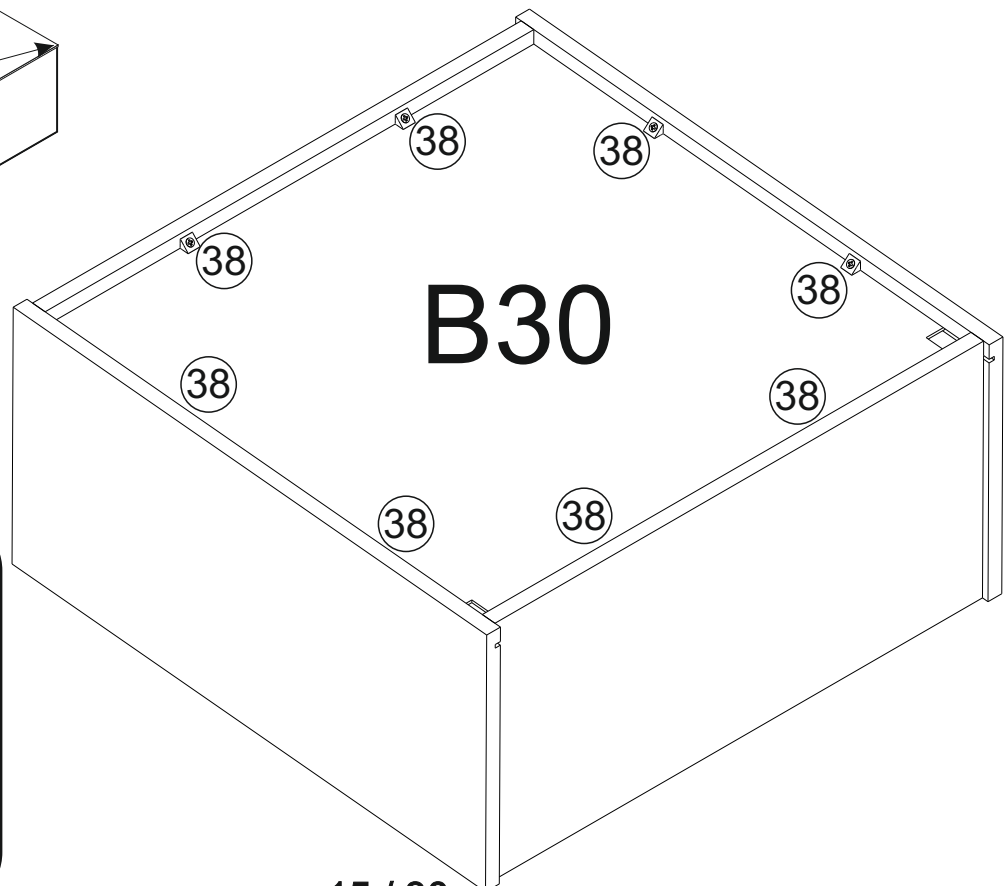
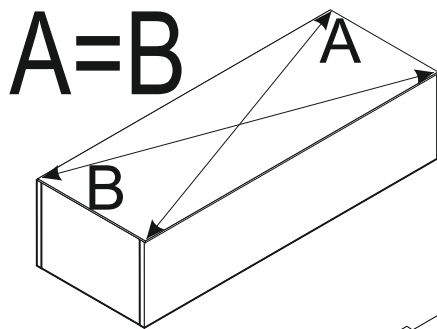
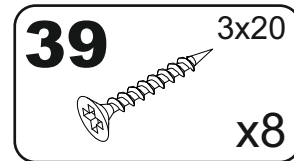
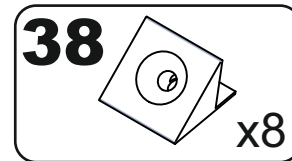
5



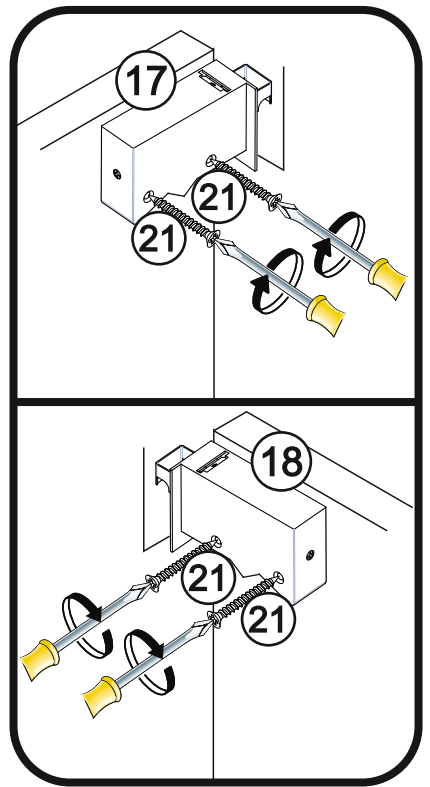
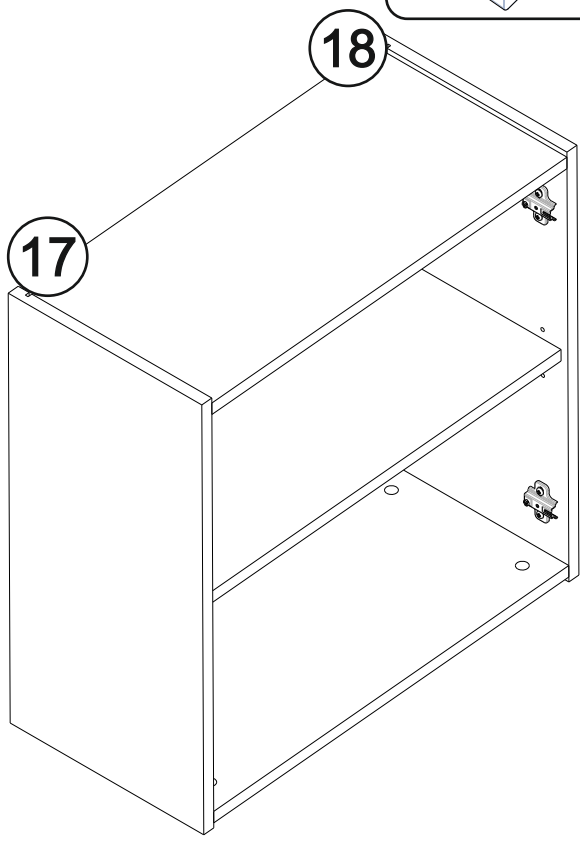
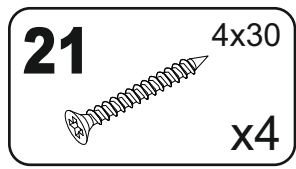
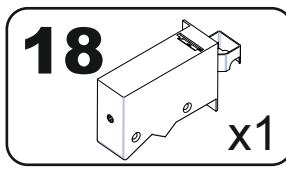
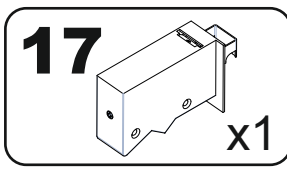
# 6



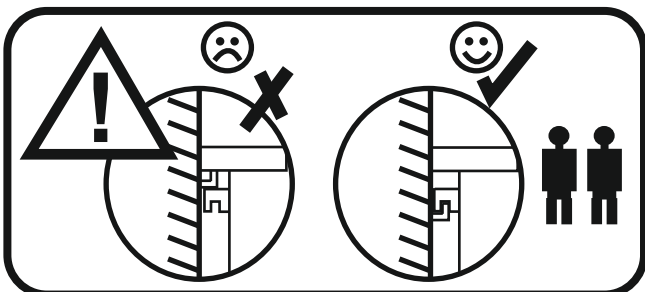
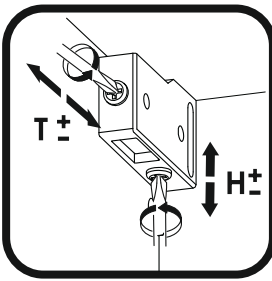
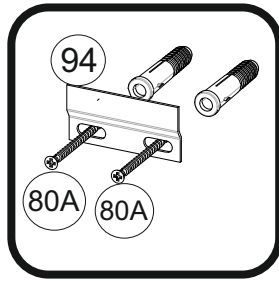
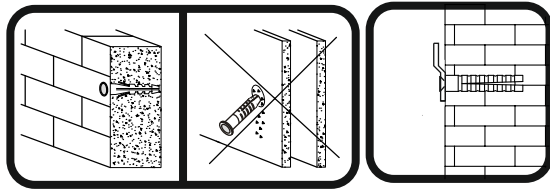
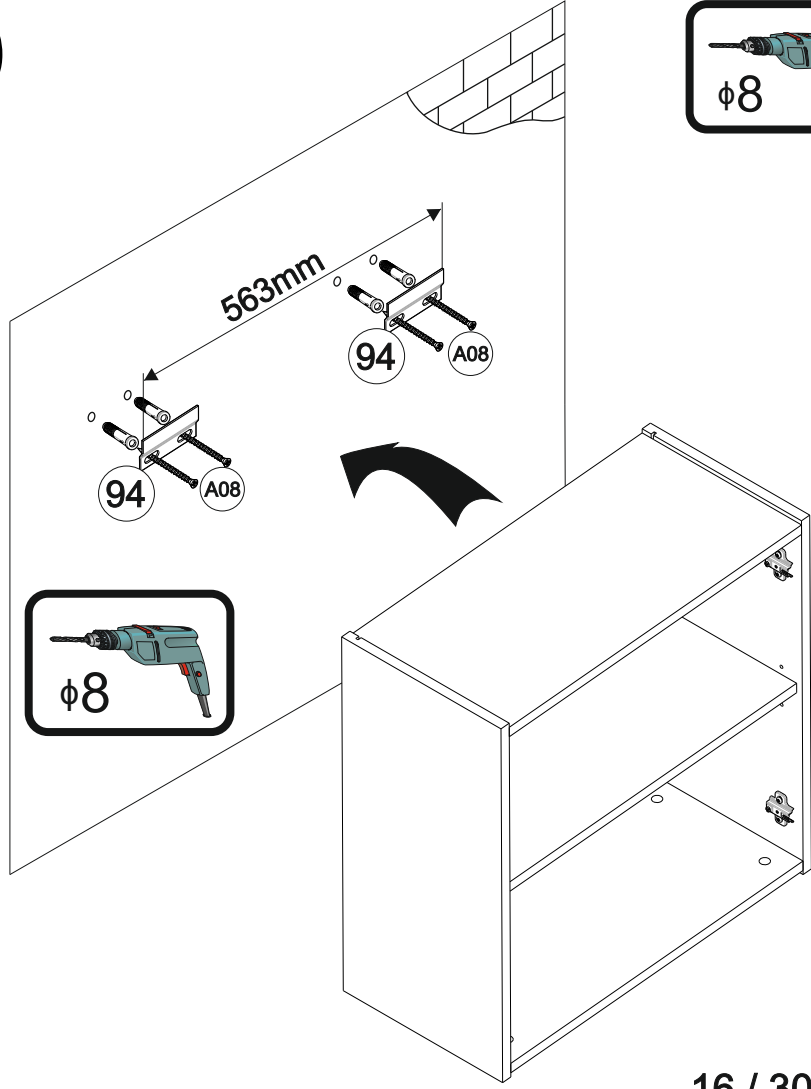
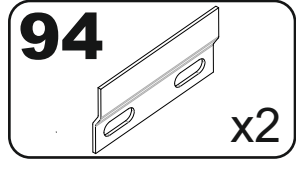
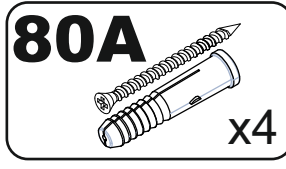
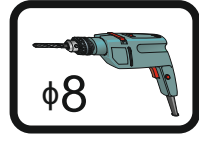
# 7



# 8

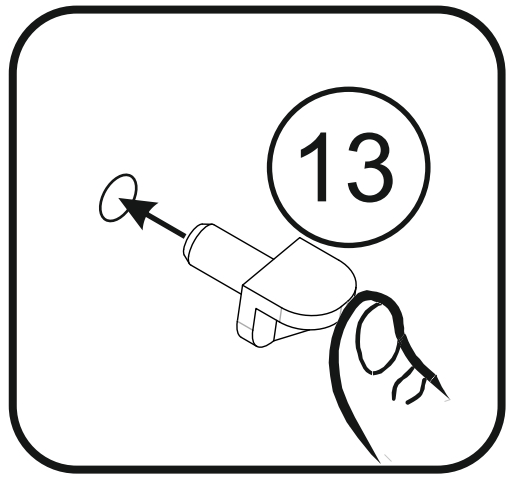
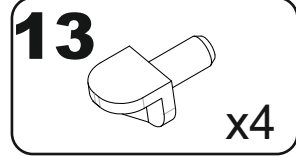
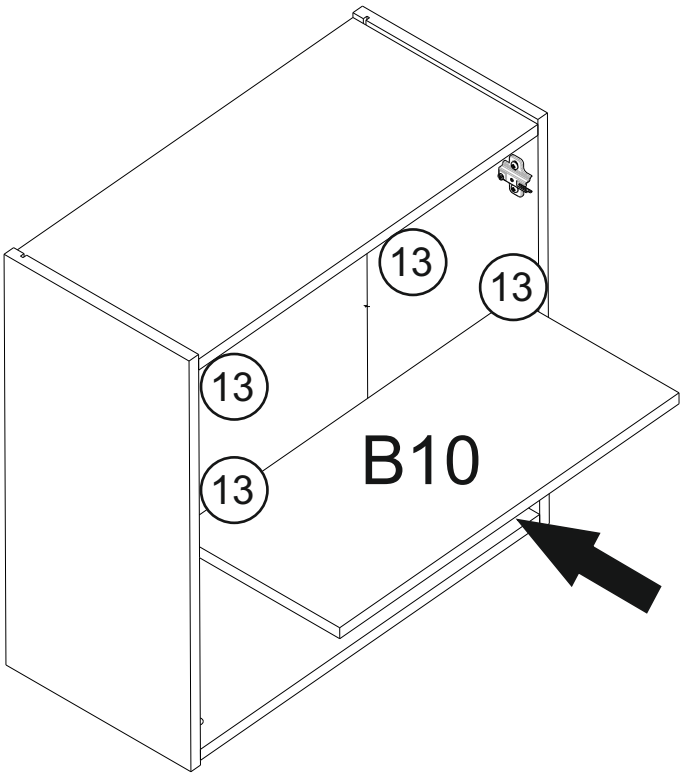


# 9

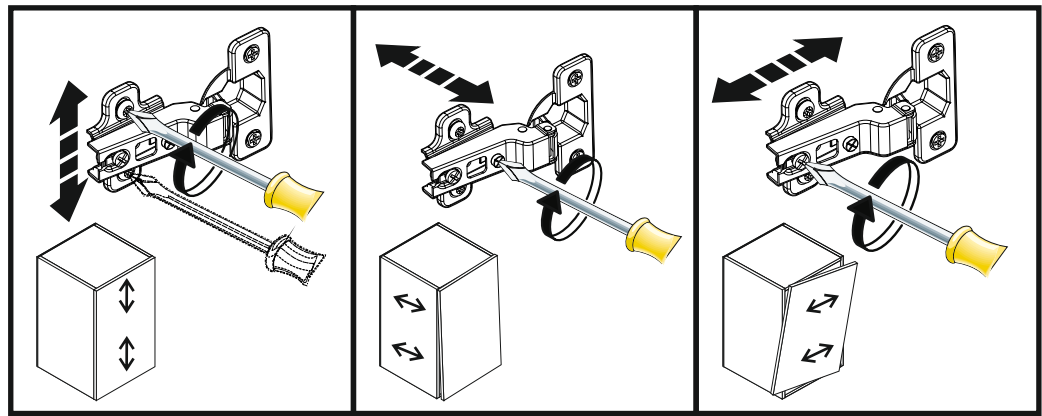
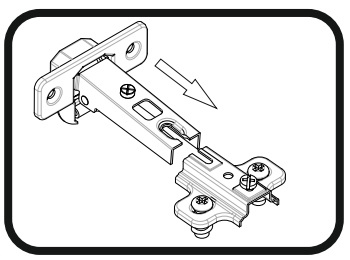
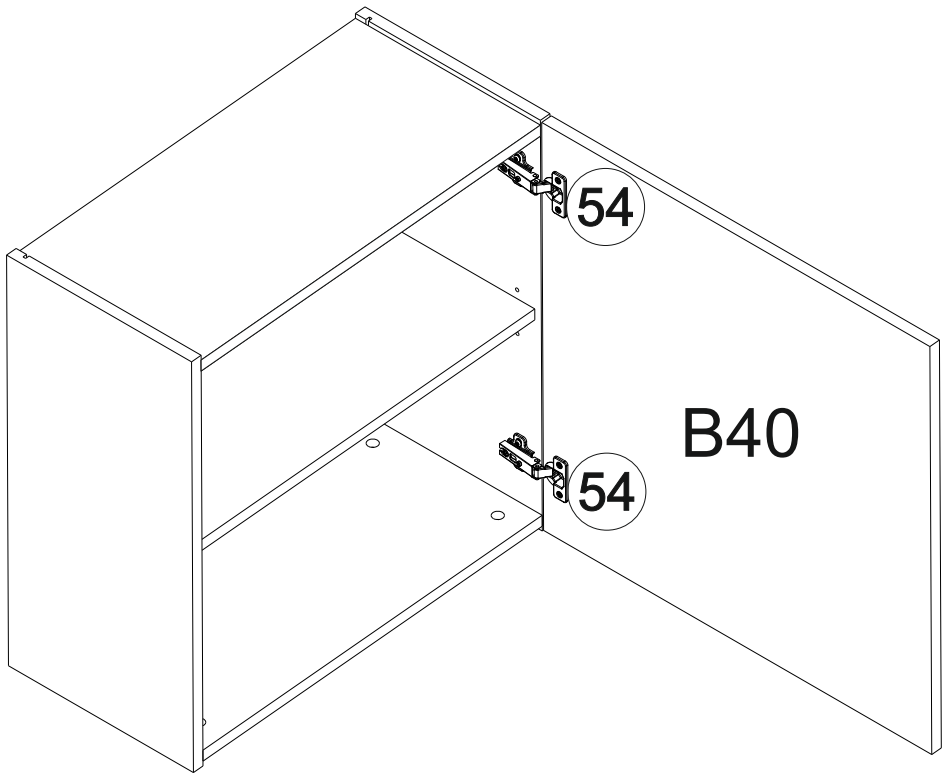




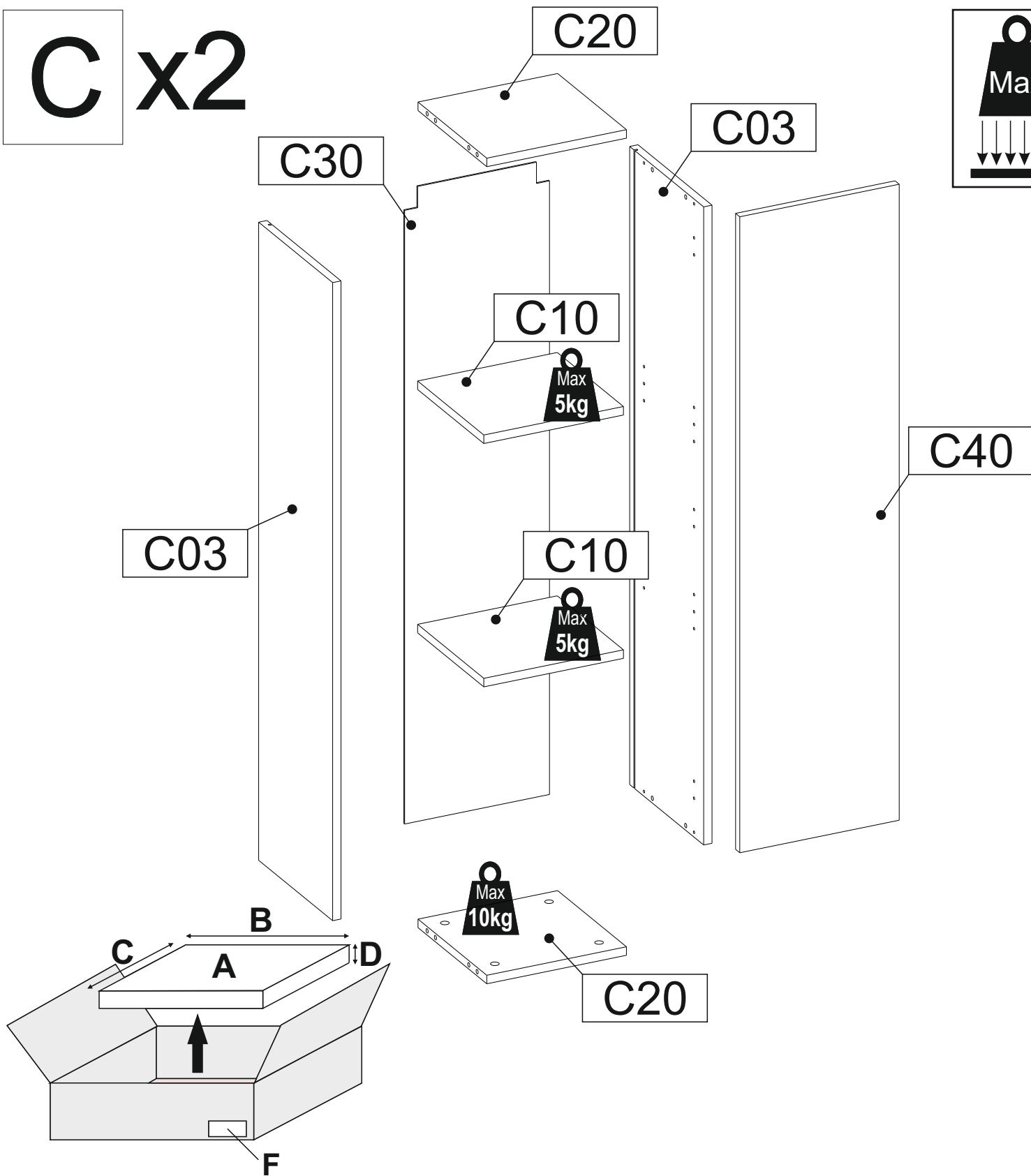
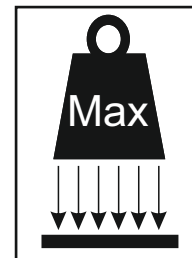
# 10



# 11

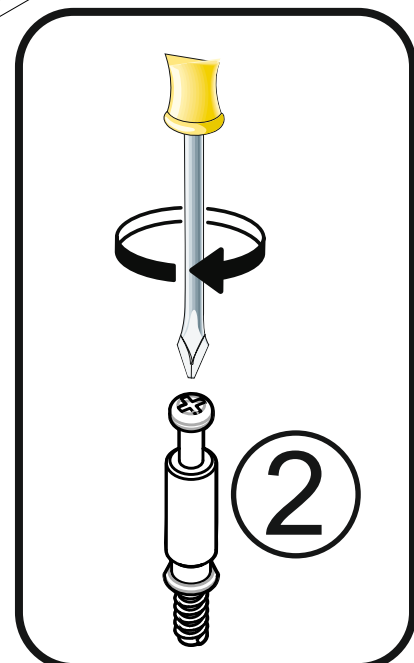
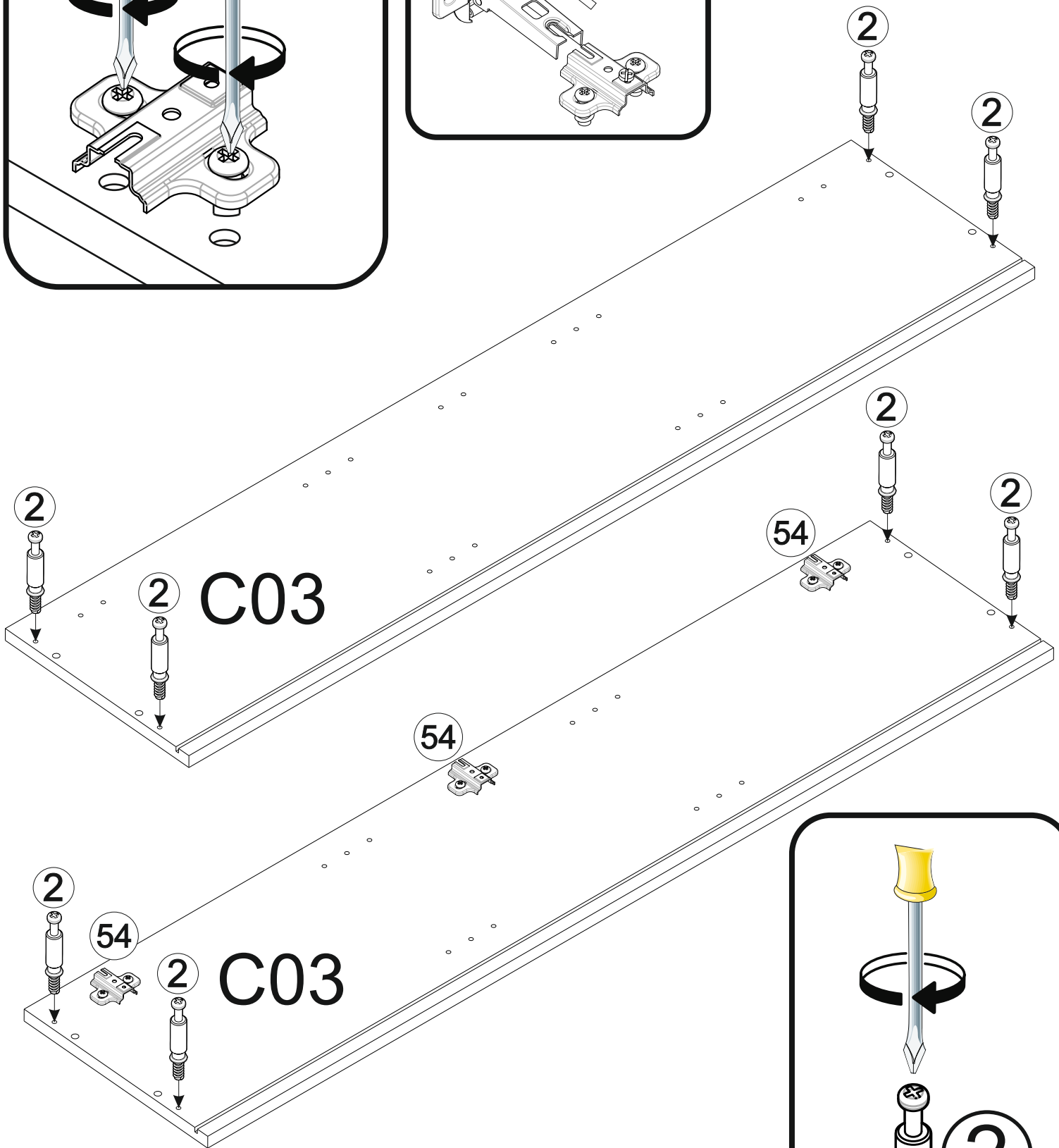
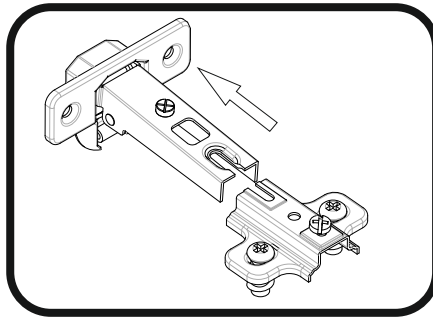
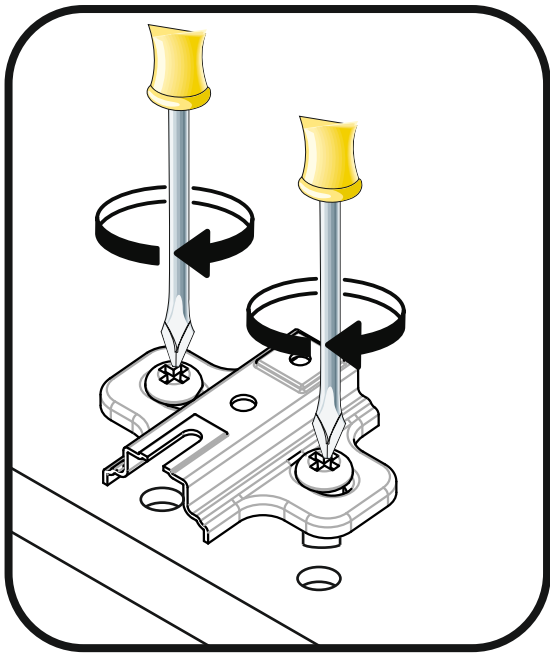
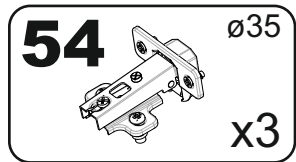
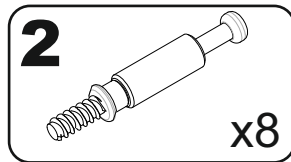


# C x2

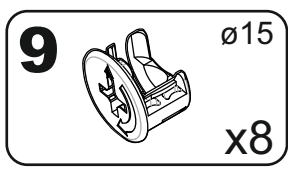
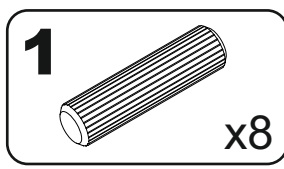
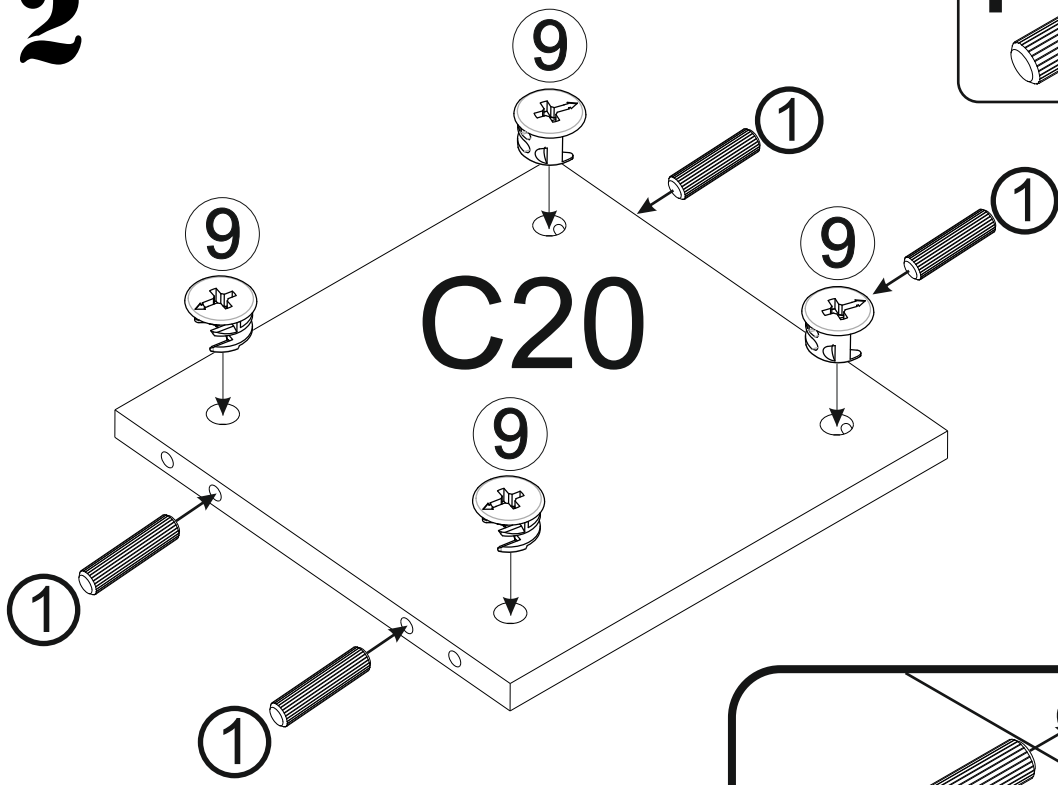


A	B_(mm)	C_(mm)	D_(mm)	E	F
C03	1200	284	16	2	4 4
C10	268	254	16	2	4 4
C20	268	264	16	2	4 4
C30	1194	278	3	1	4 4
C40	1196	306	16	1	4 4

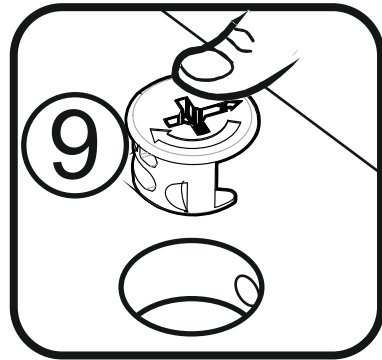
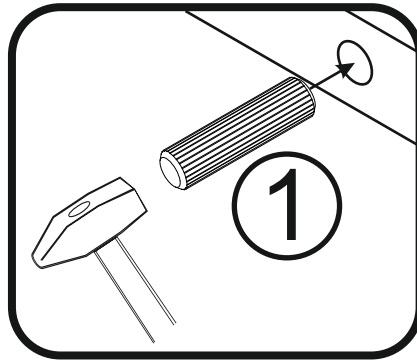
# 1



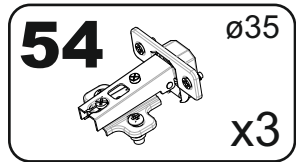
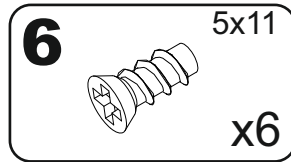
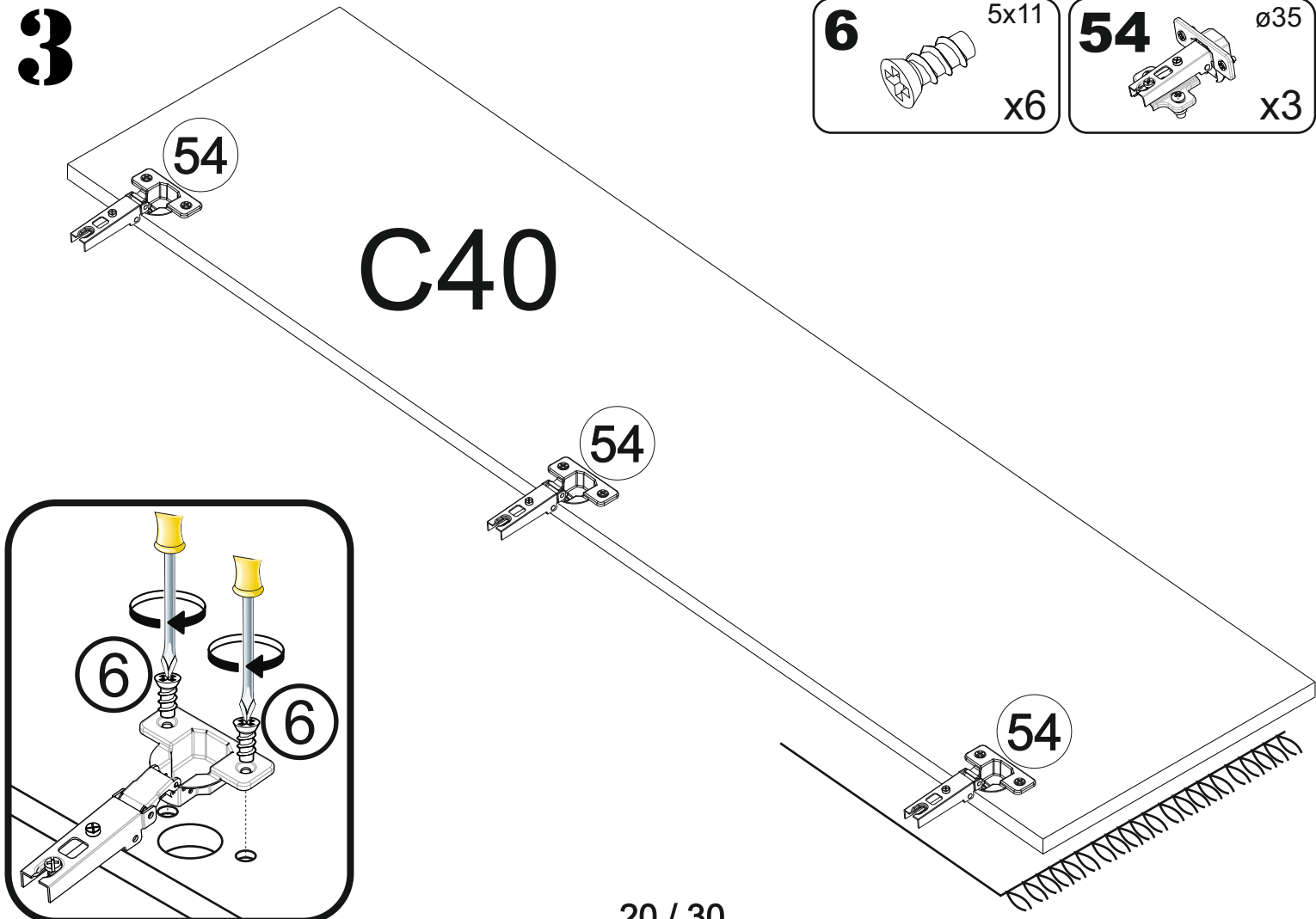
2



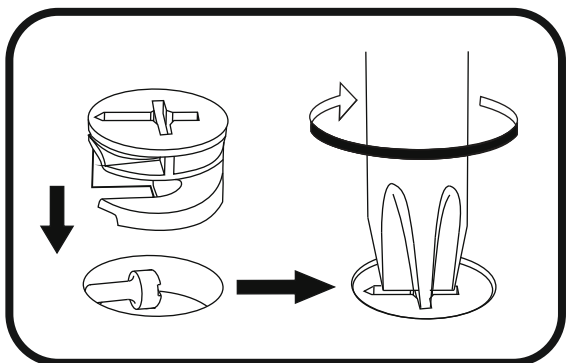
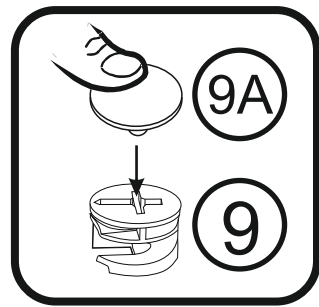
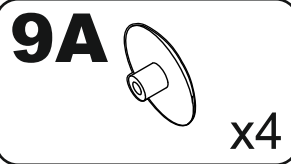
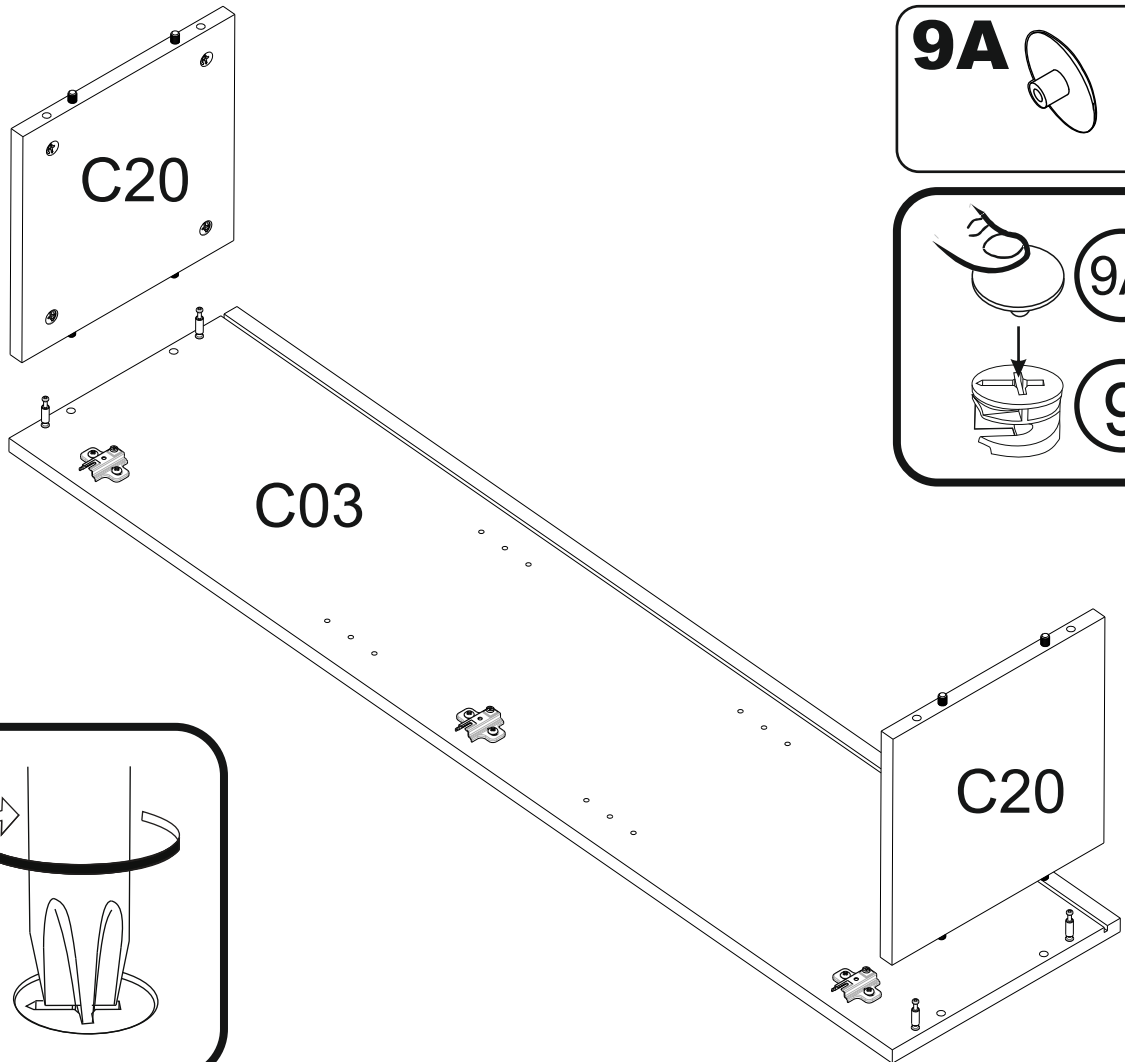
x2



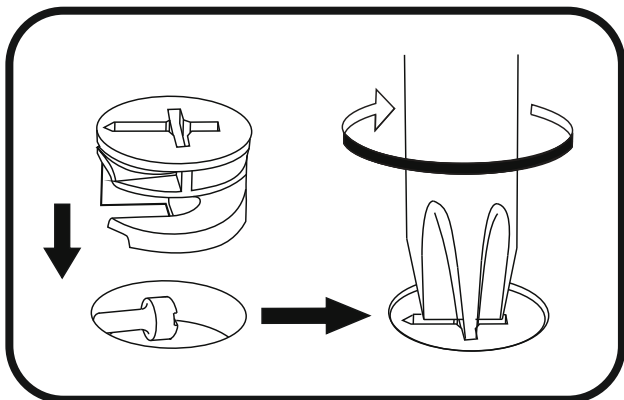
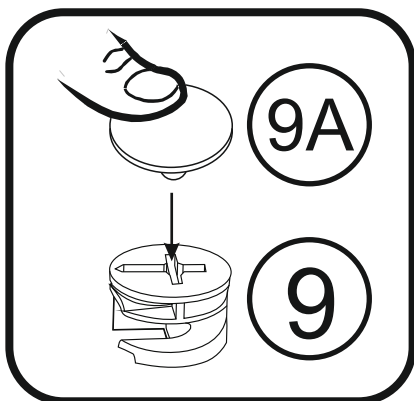
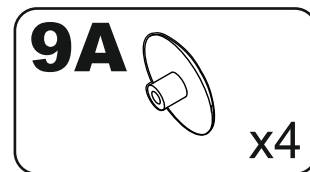
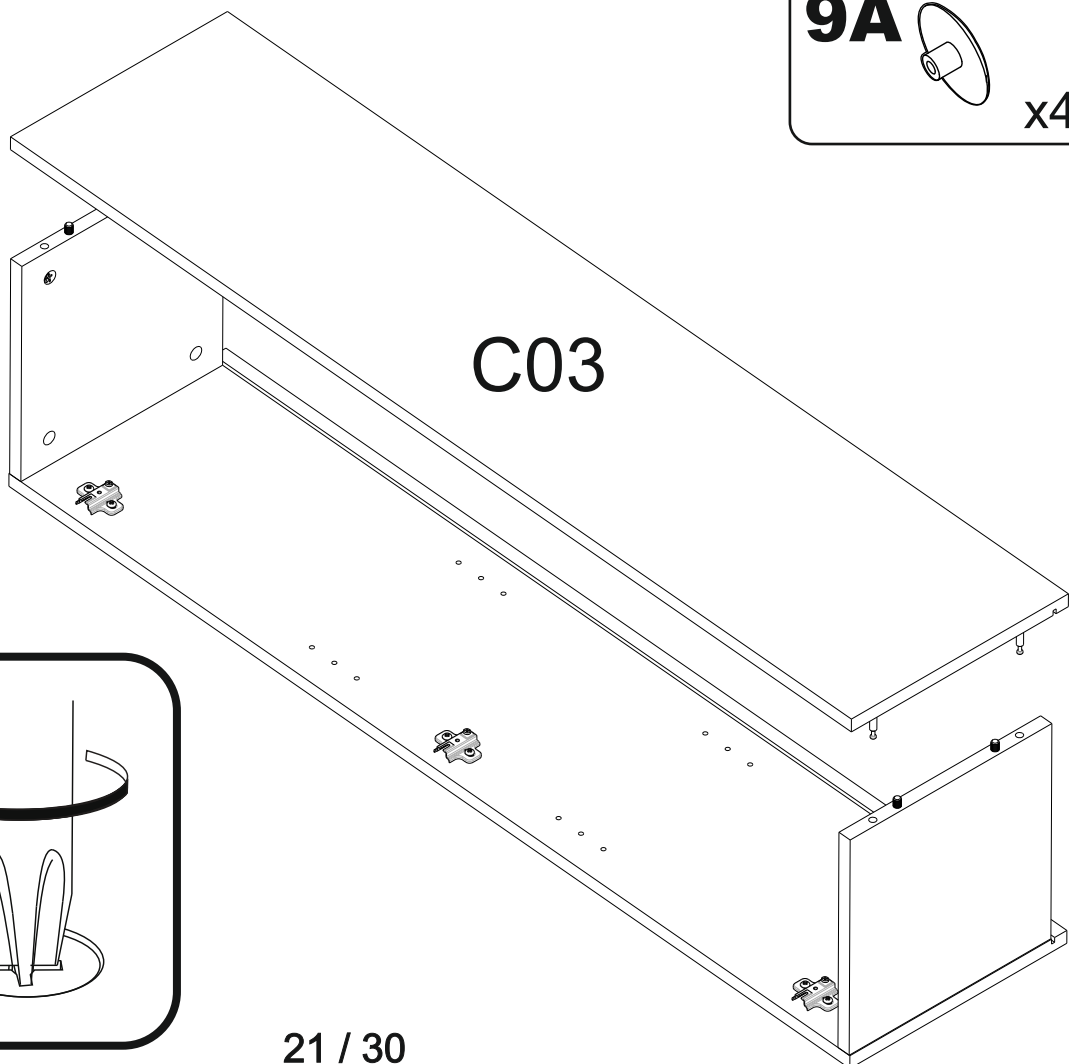
3



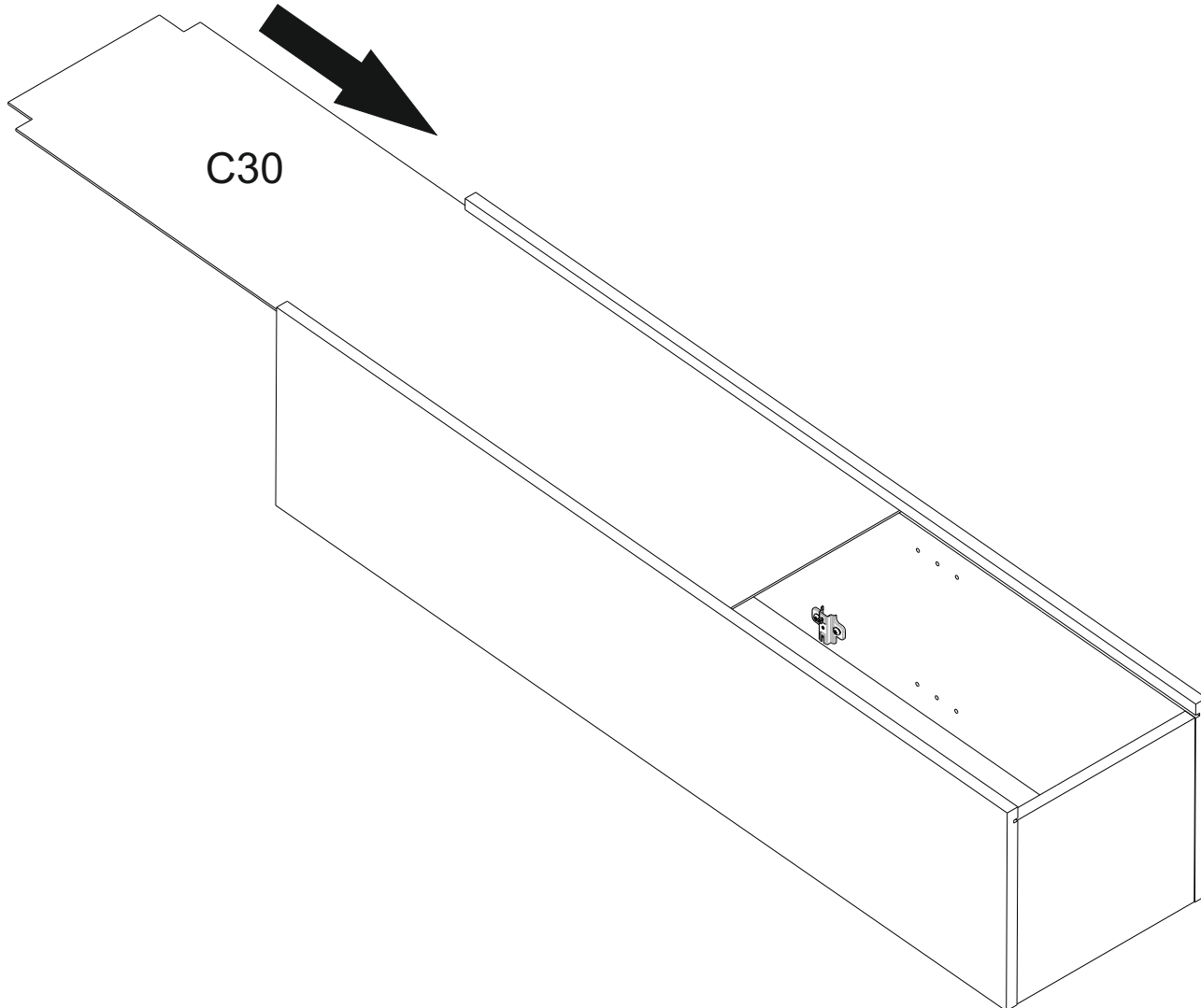
4



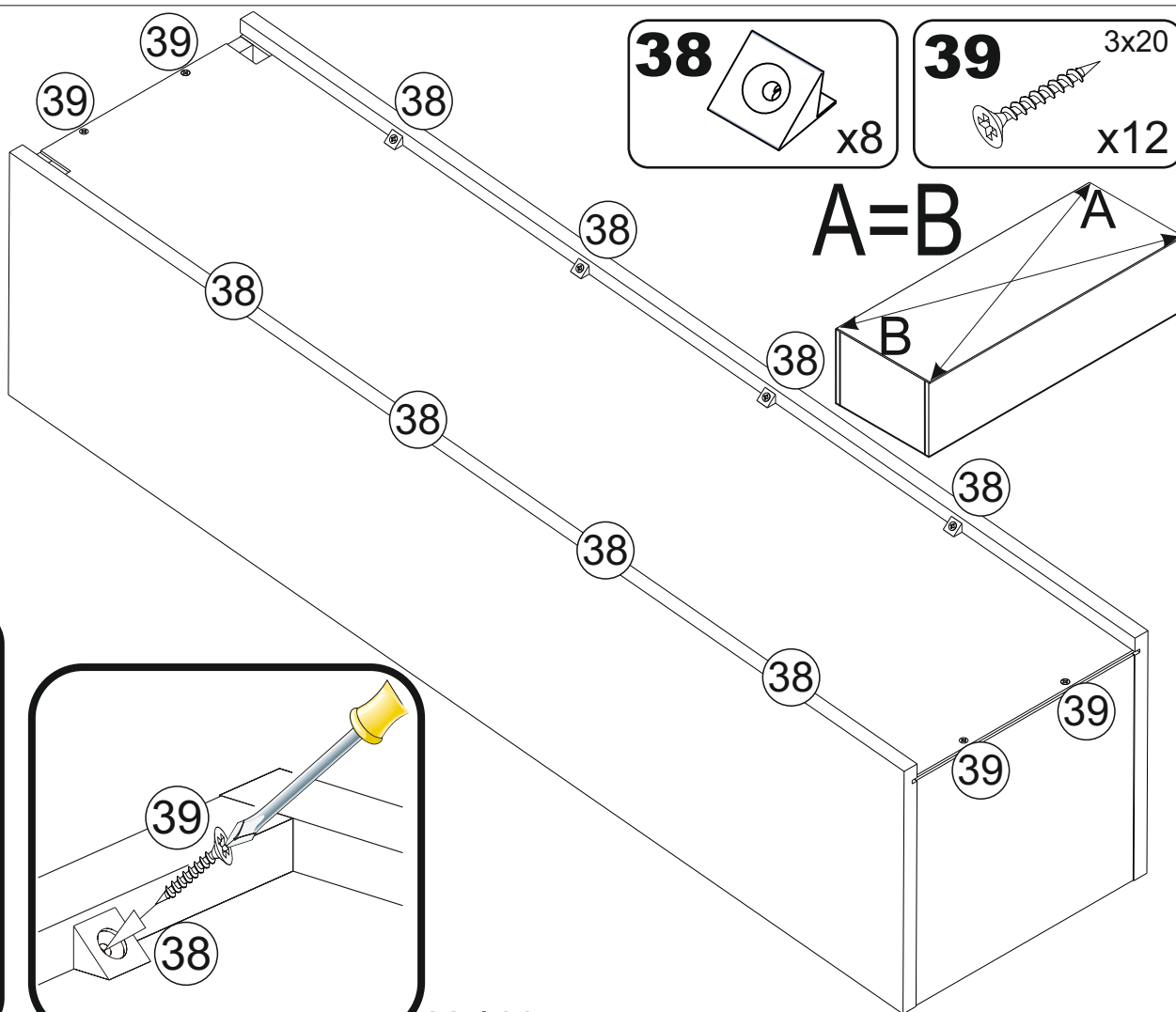
5



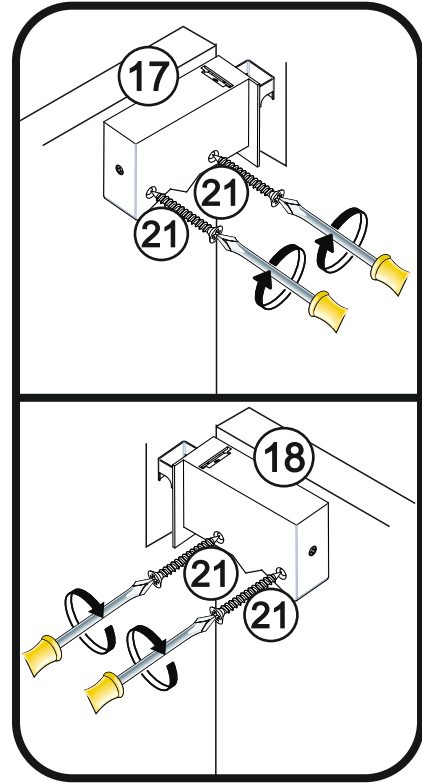
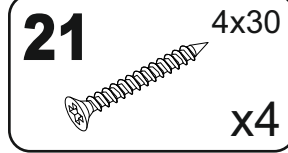
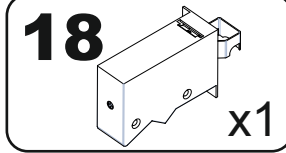
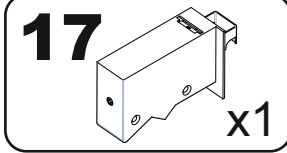
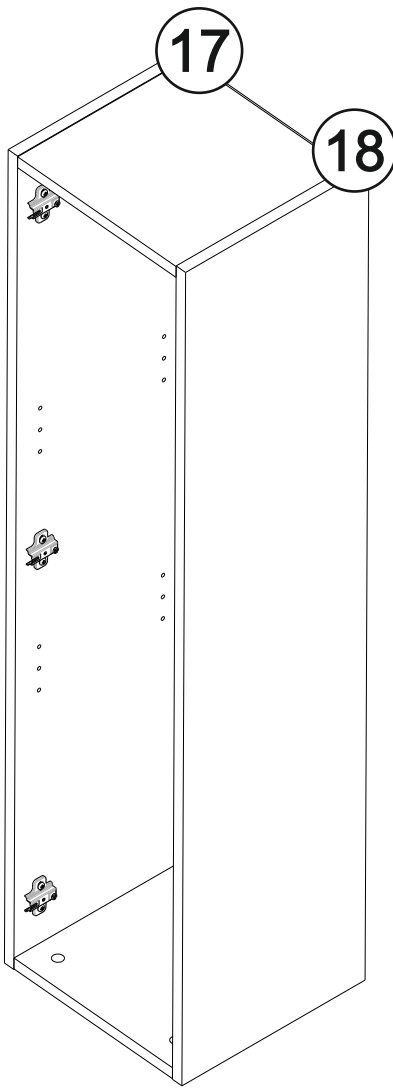
**6**



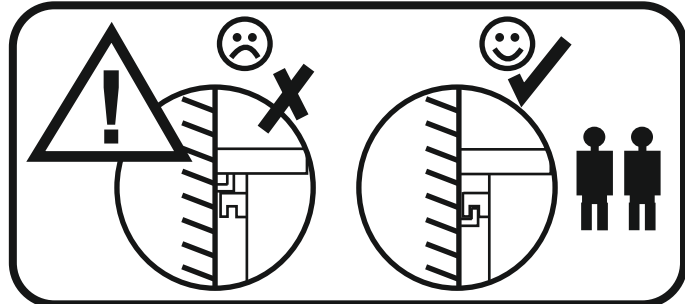
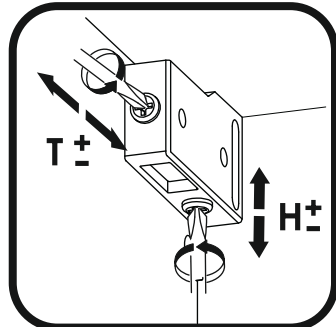
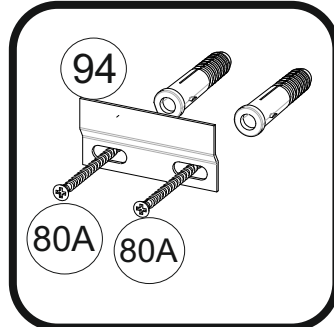
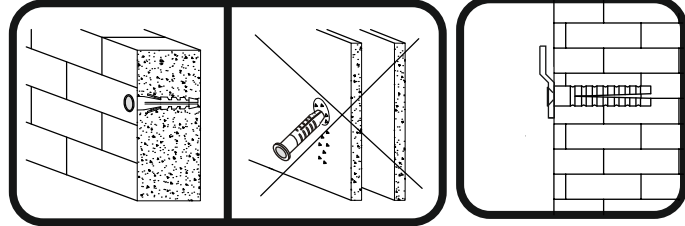
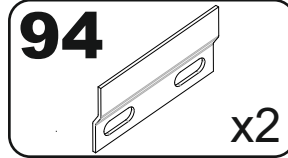
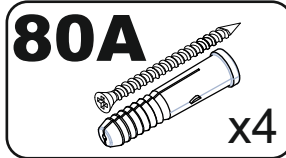
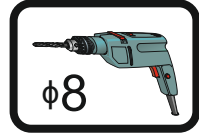
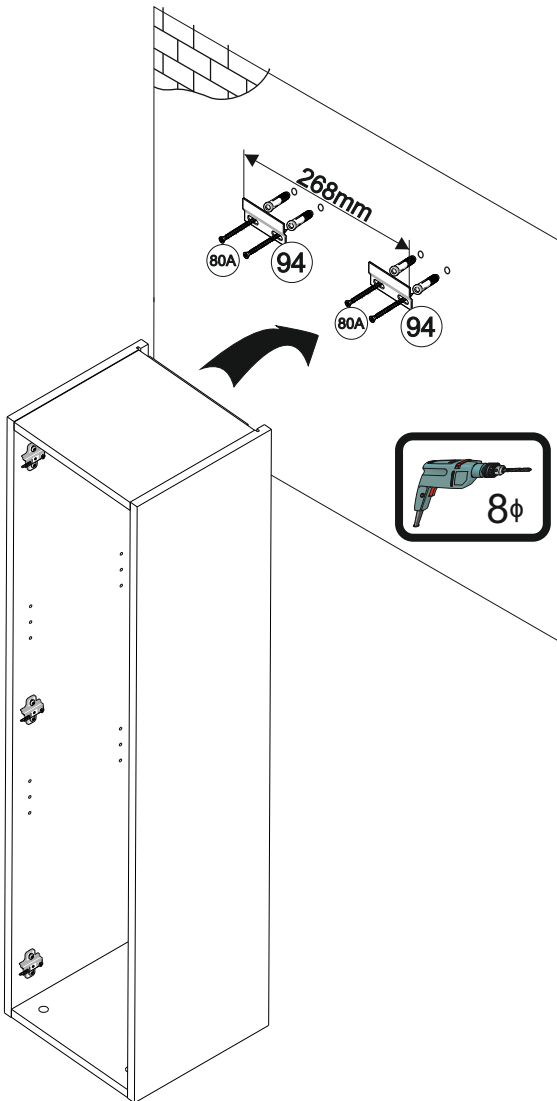
**7**



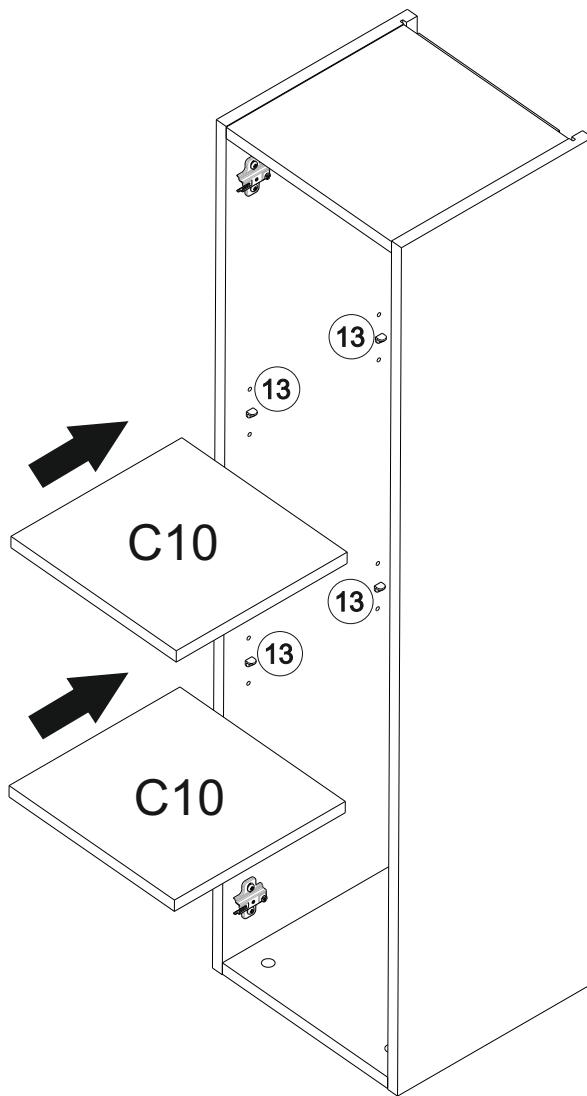
# 8

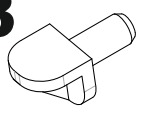


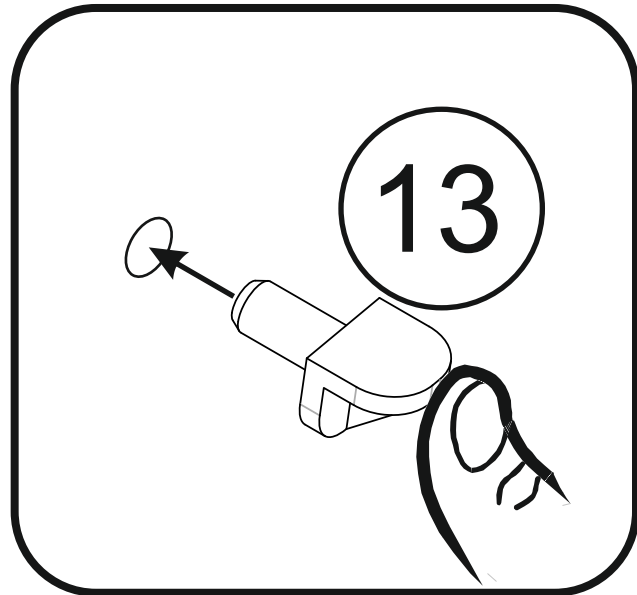
# 9



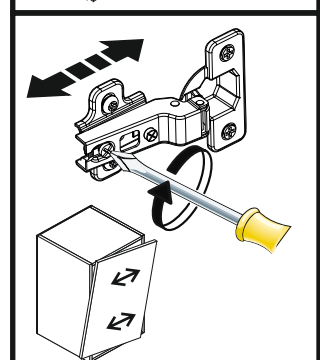
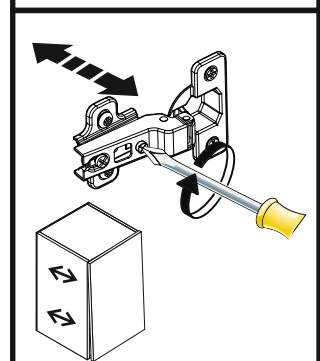
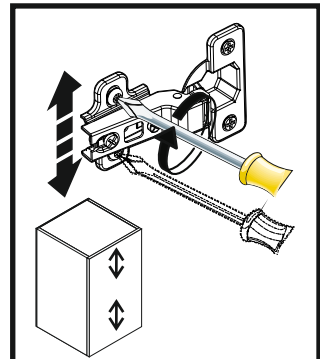
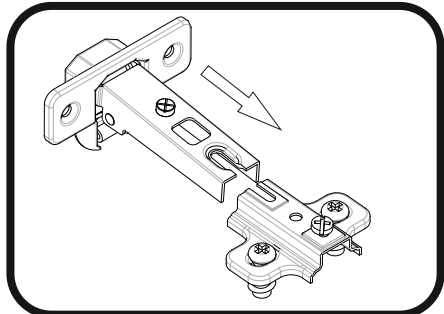
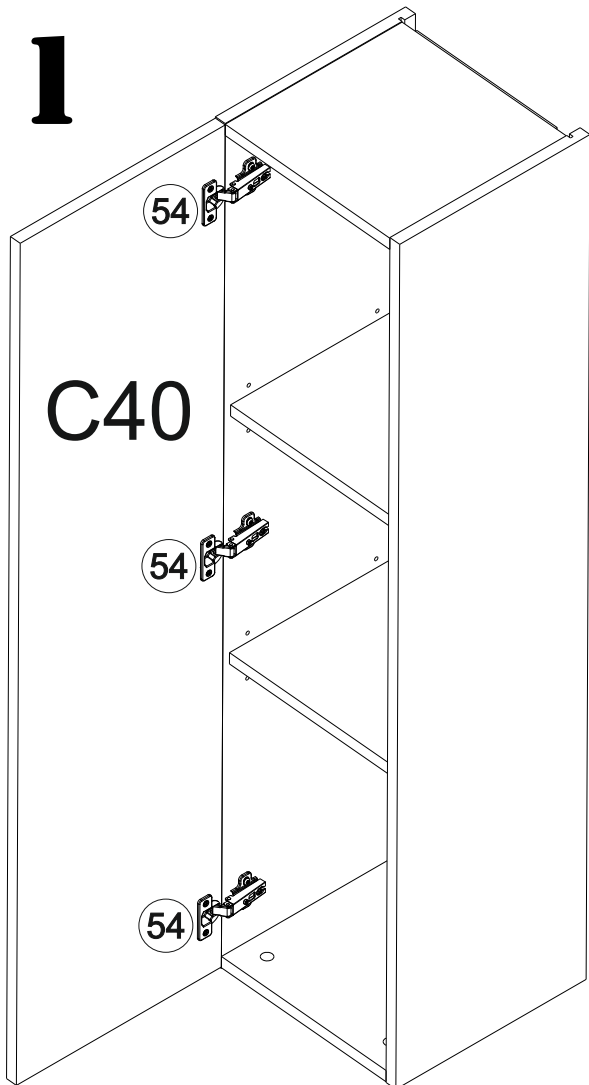
# 10



**13**  x8



# 11

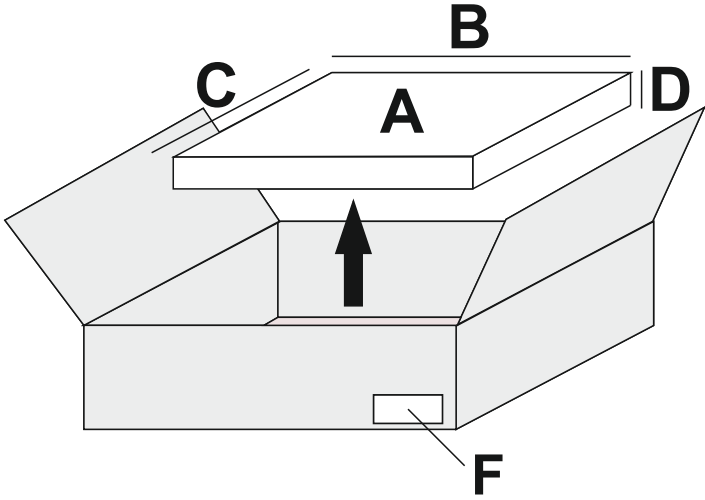
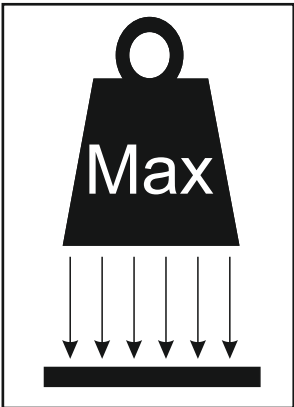




M

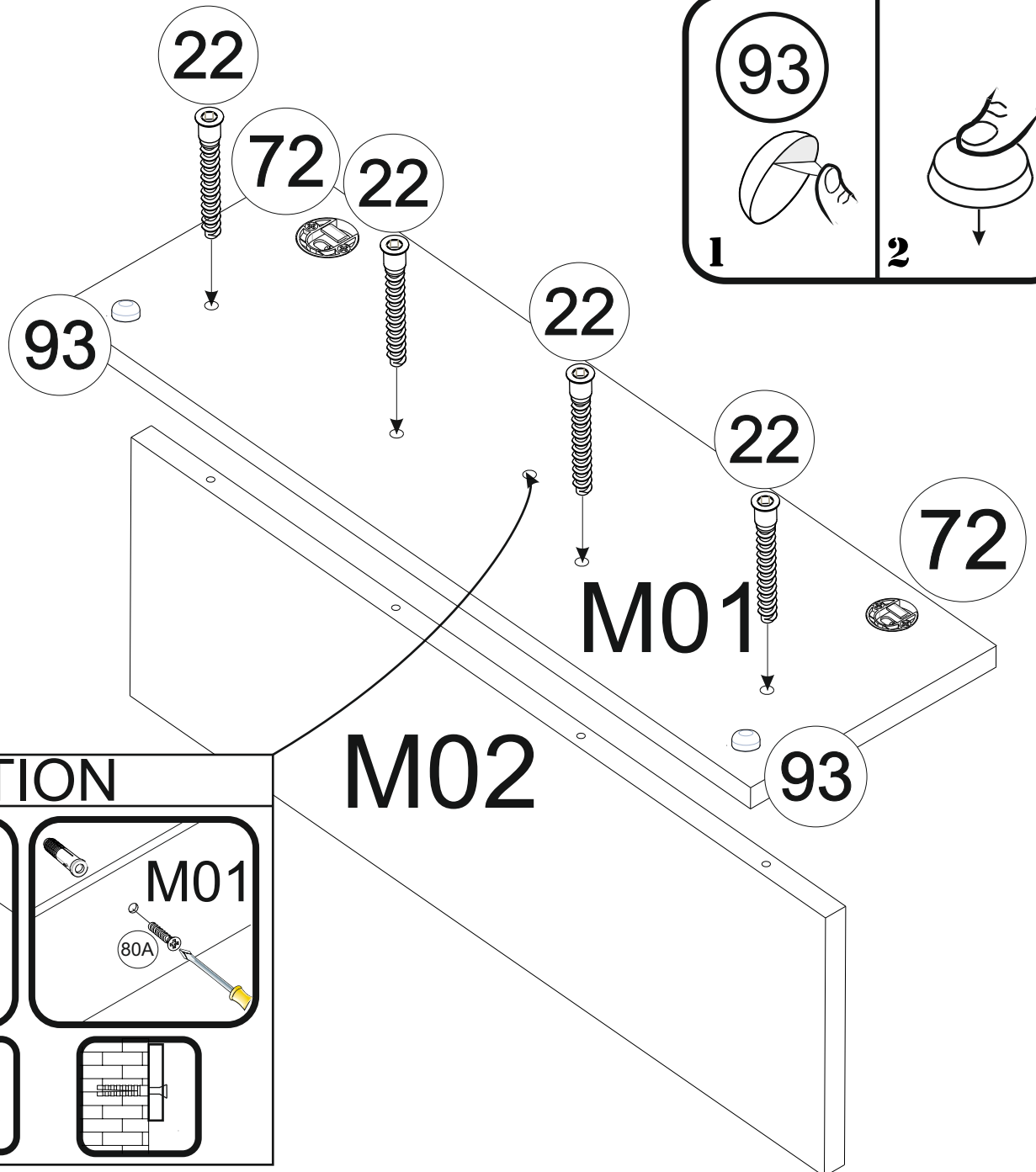
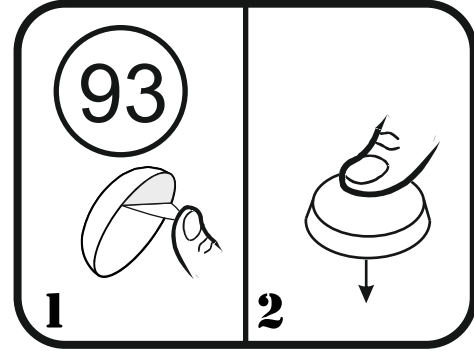
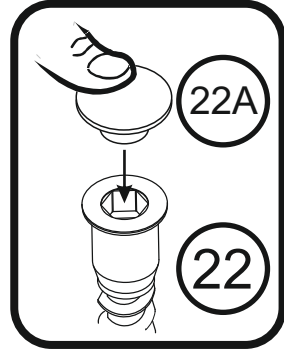
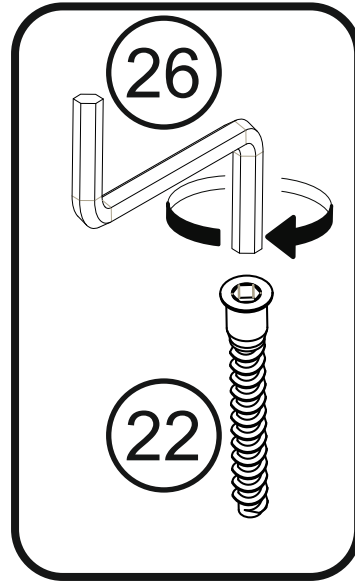
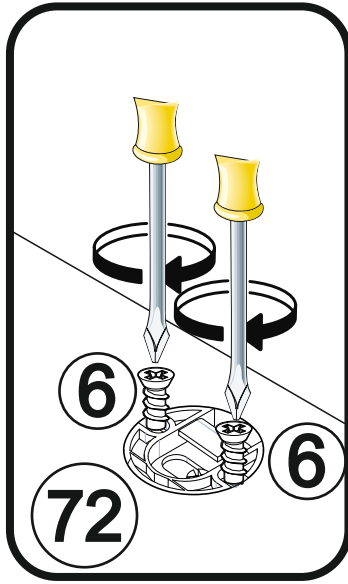
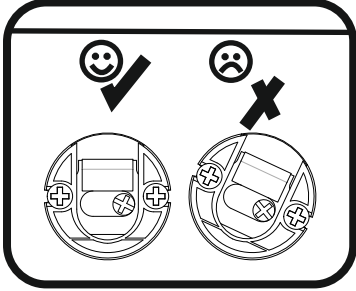
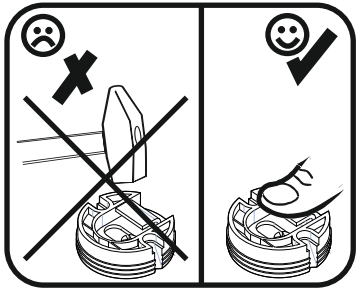
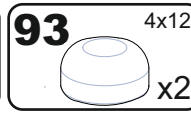
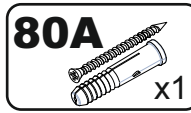
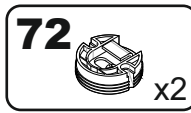
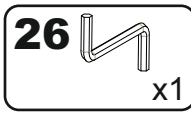
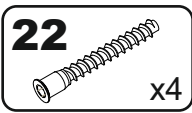
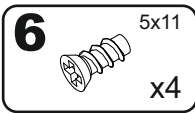
M01

M02

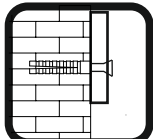
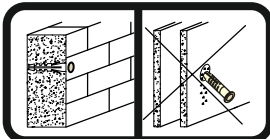
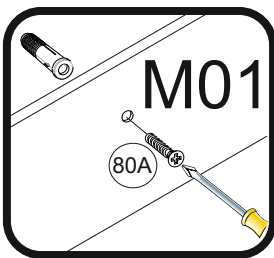
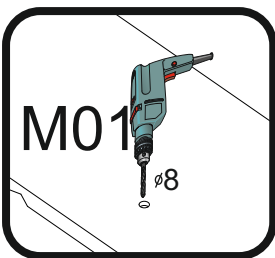


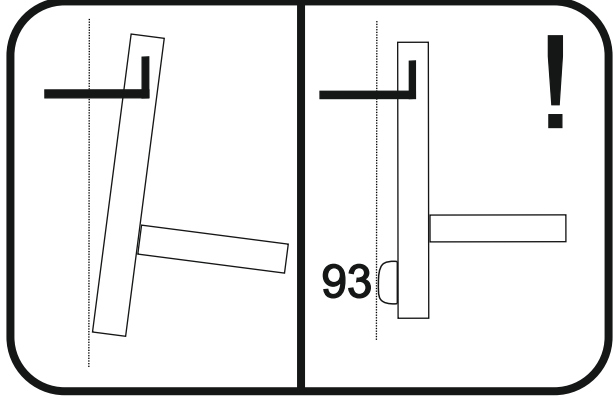
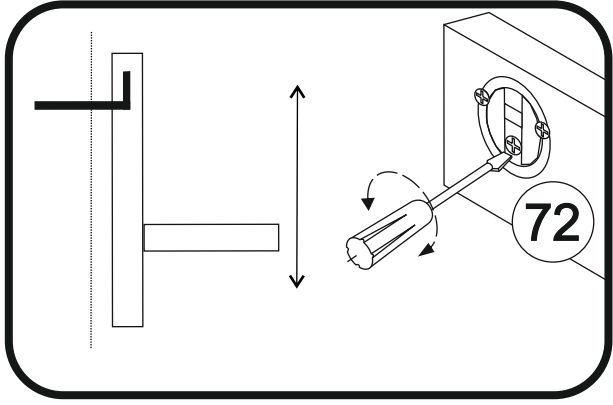
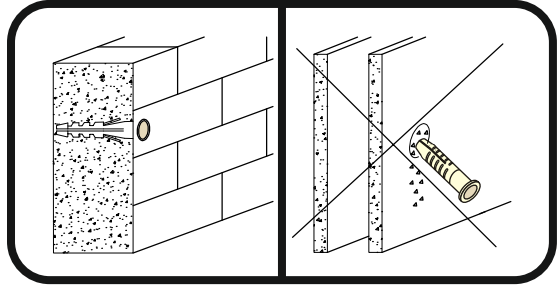
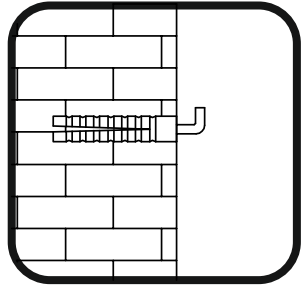
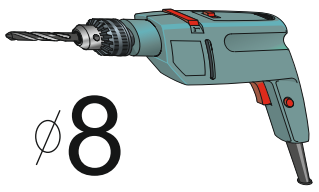
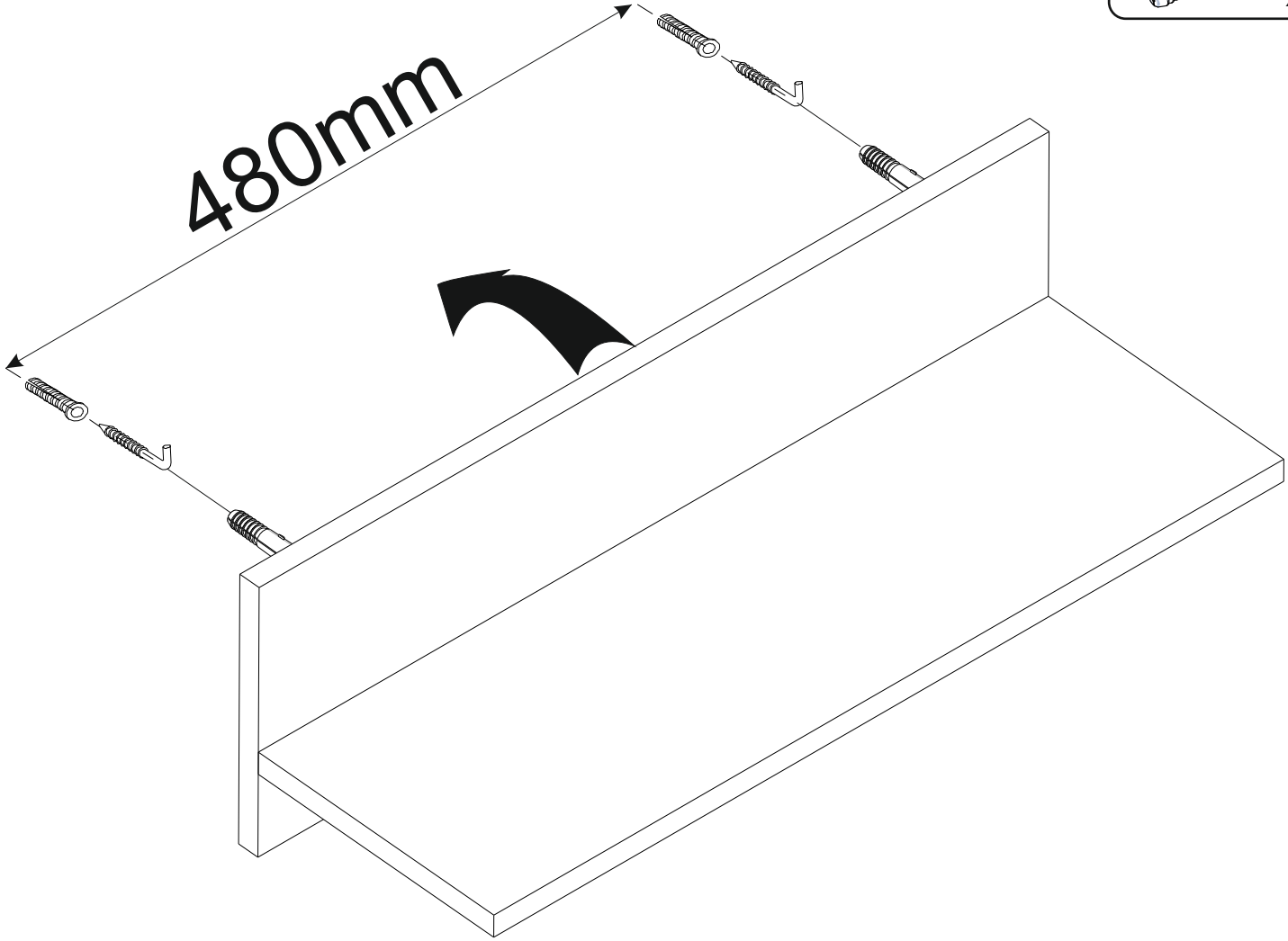
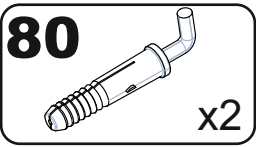
A	B (mm)	C (mm)	D (mm)	E	F
M01	600	195	16	1	1/4
M02	600	195	16	1	1/4

# I

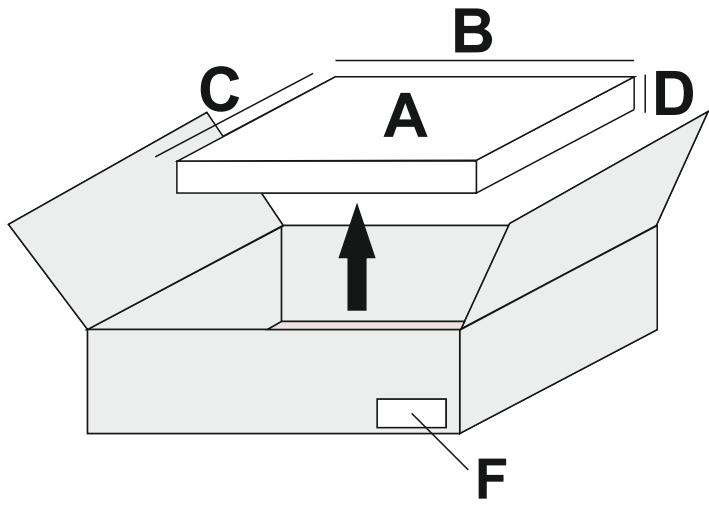
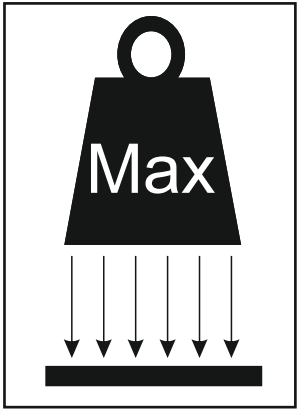
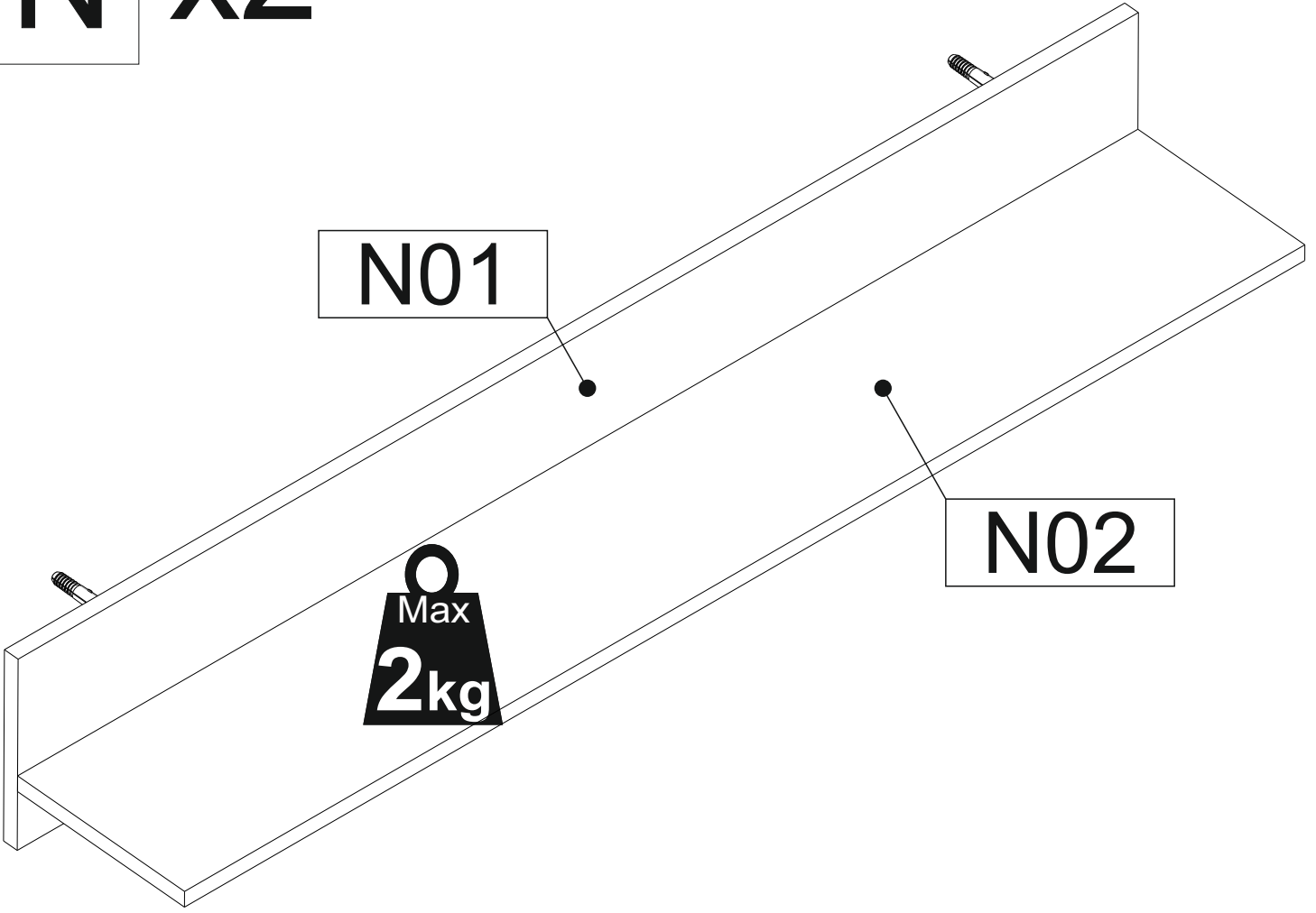


## OPTION



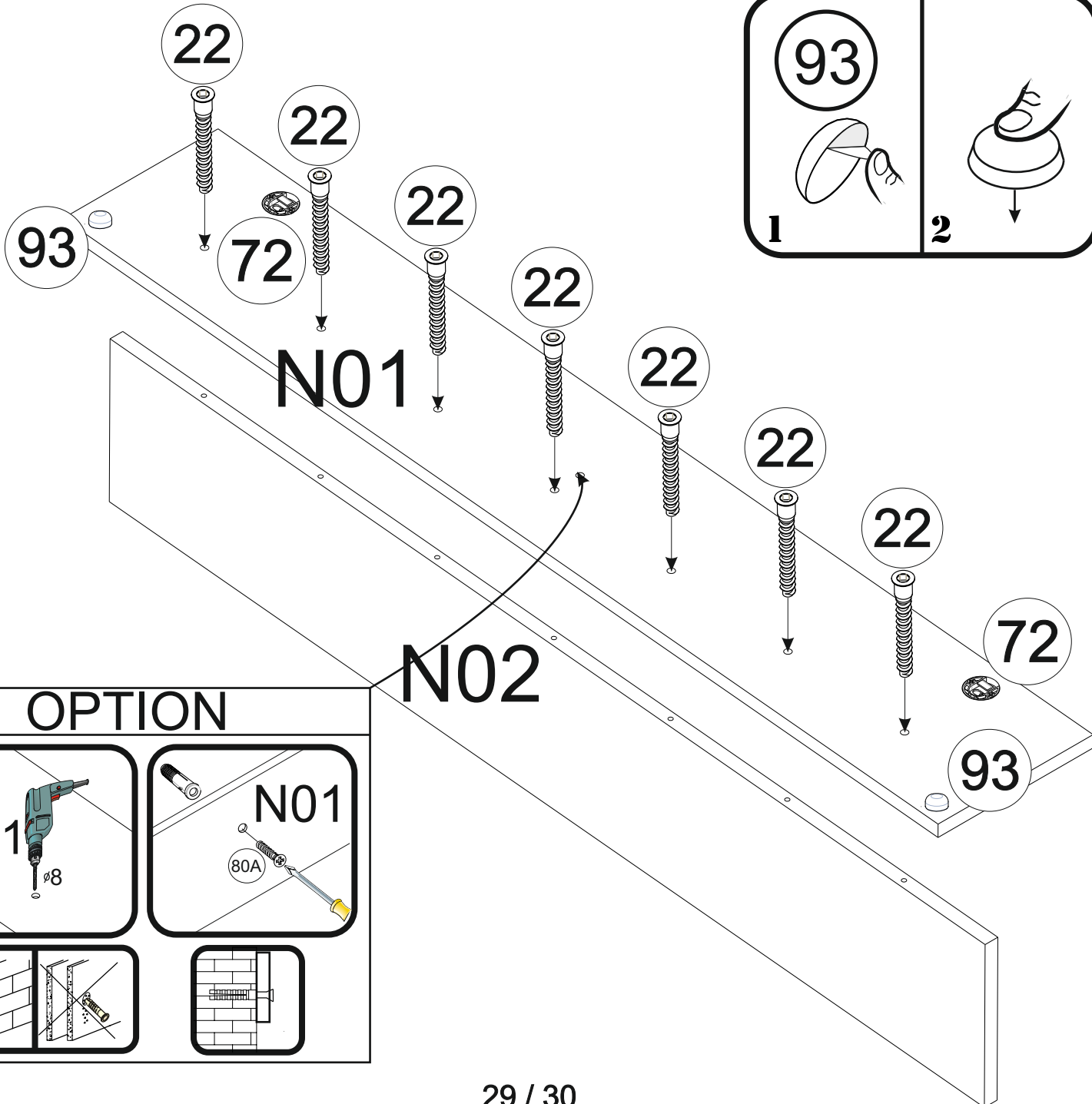
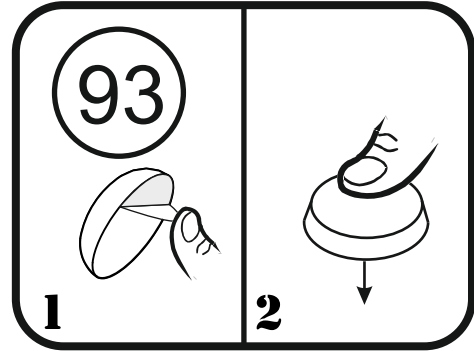
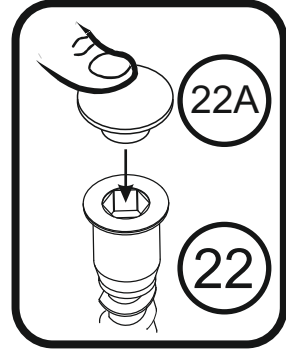
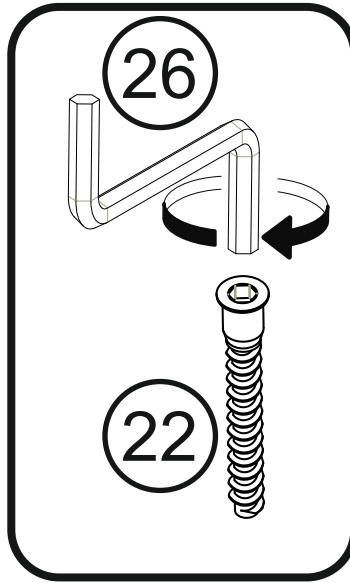
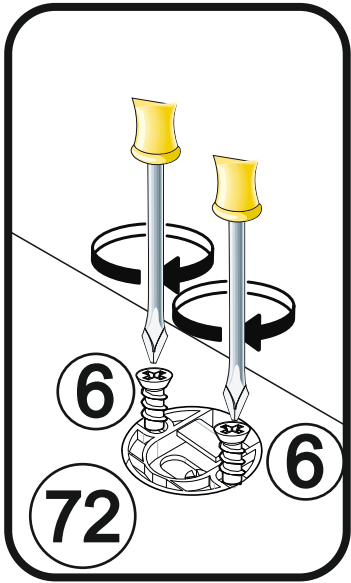
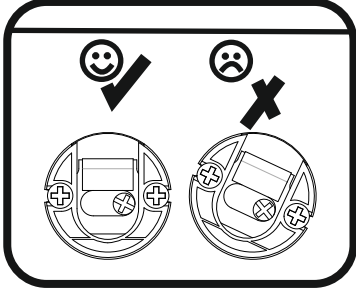
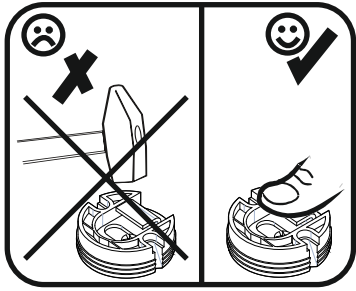
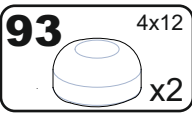
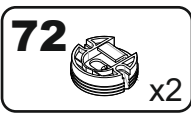
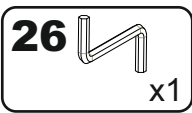
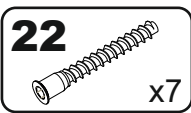
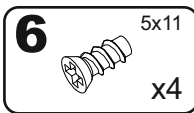


**N x2**

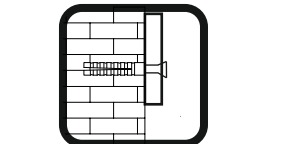
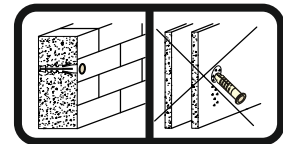
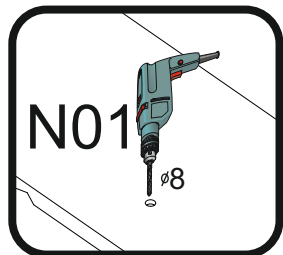


A	B (mm)	C (mm)	D (mm)	E	F
N01	1200	195	16	1	14
N02	1200	195	16	1	14

# I



## OPTION



# 2

