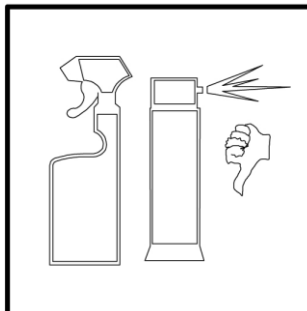
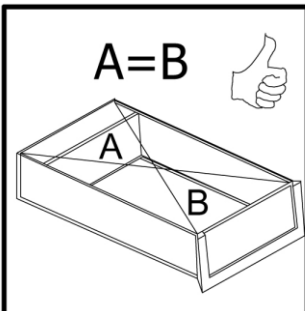
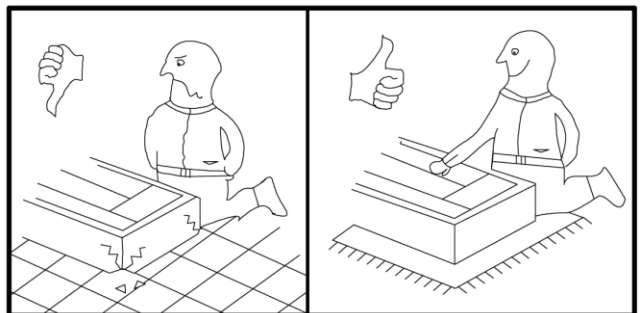
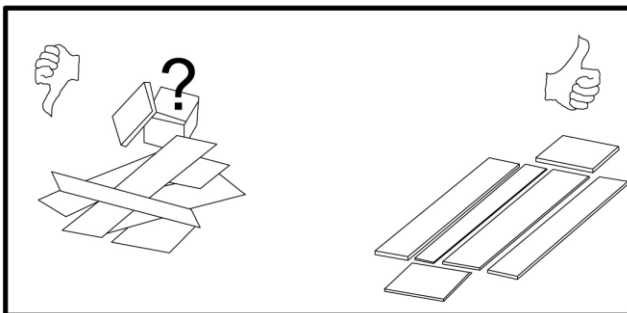
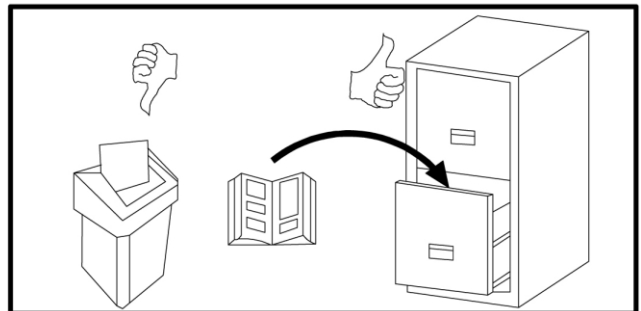
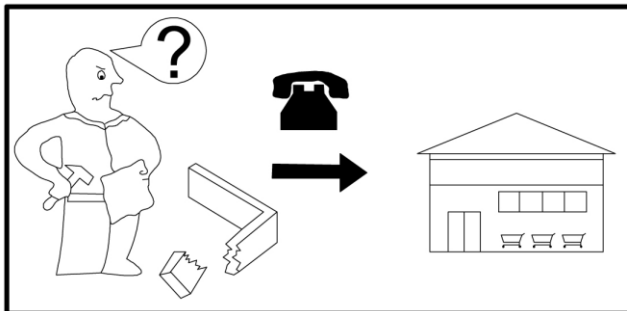
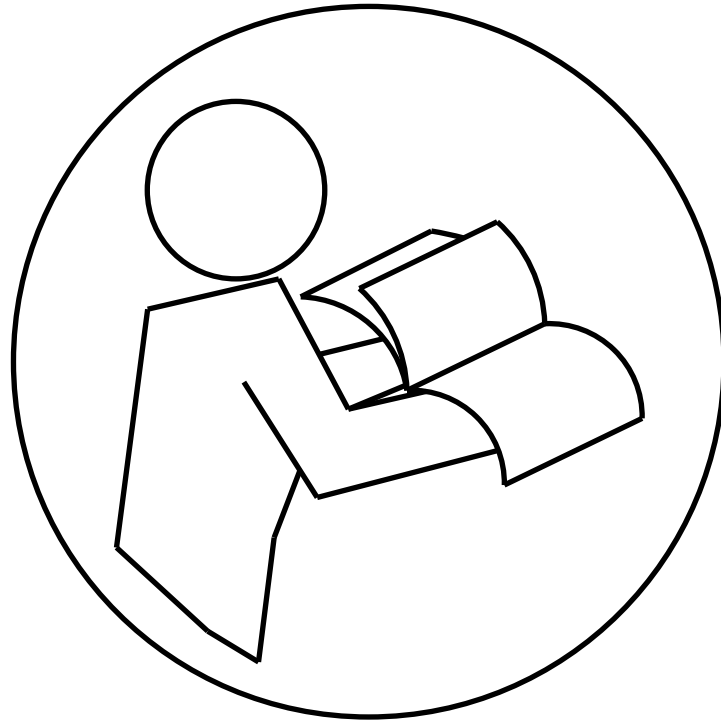
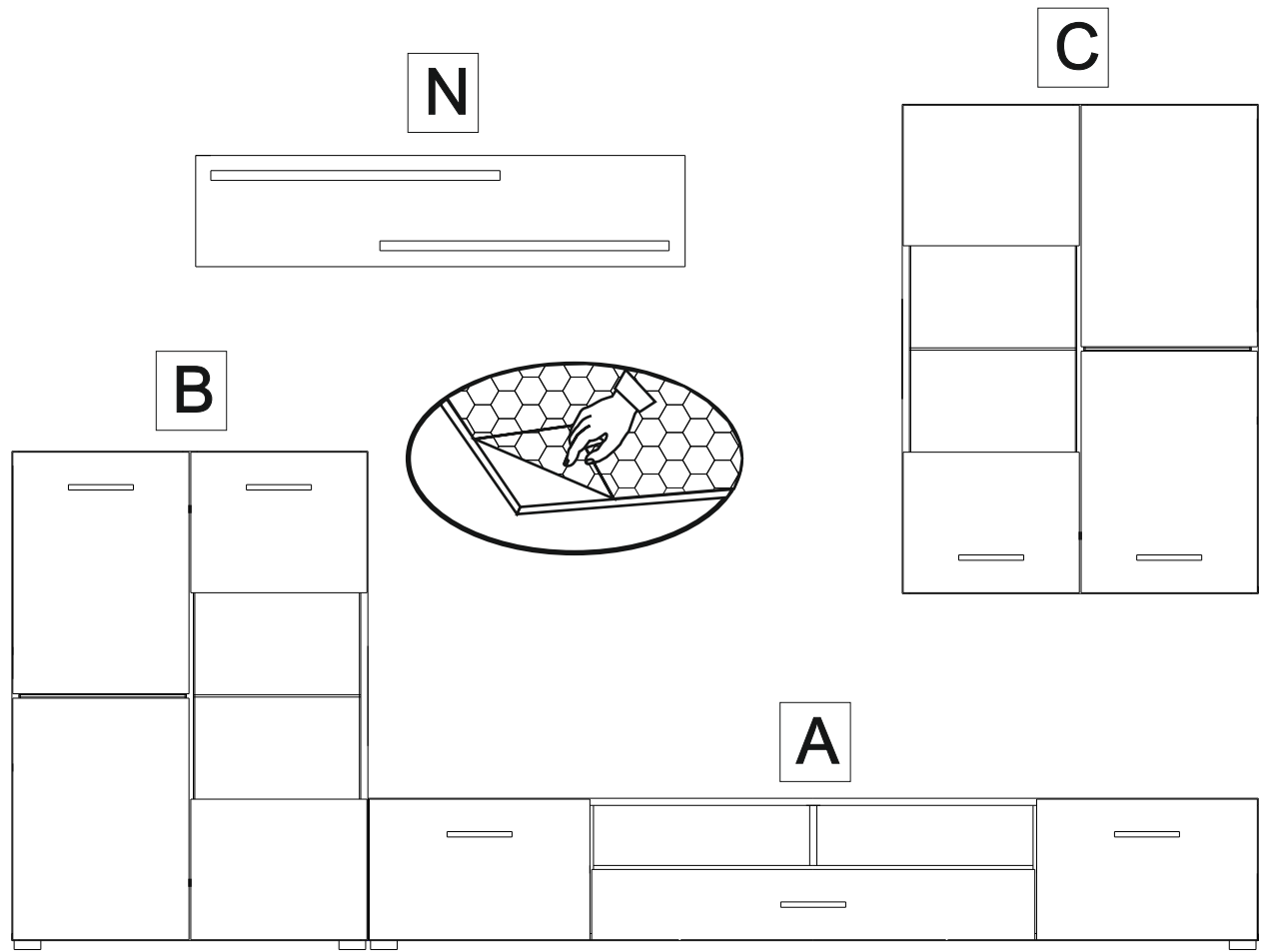
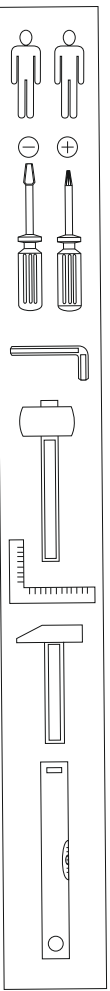
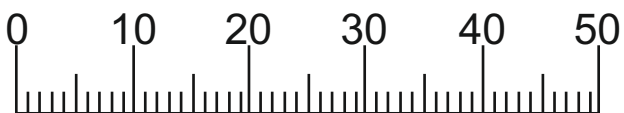


MADISON



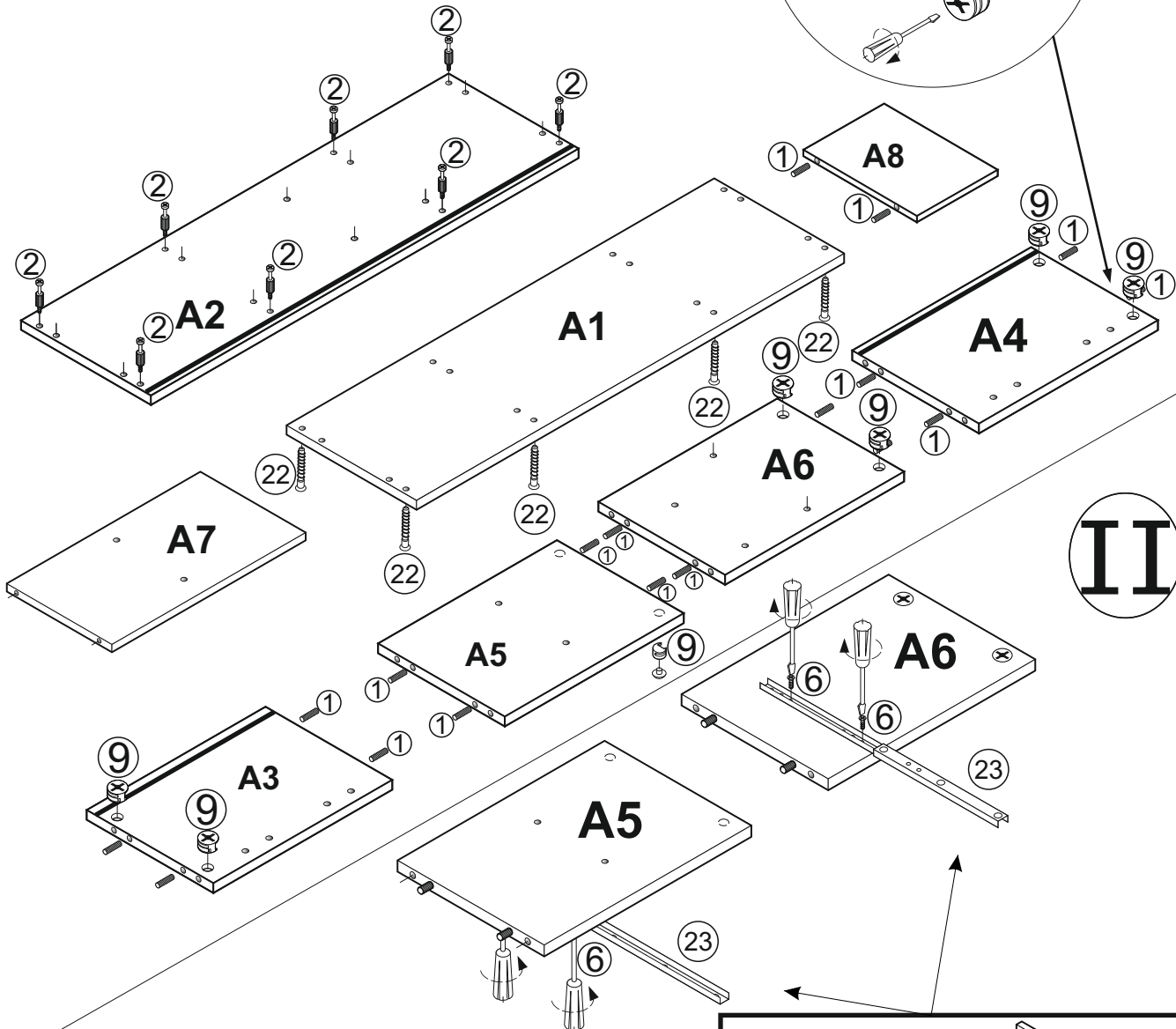
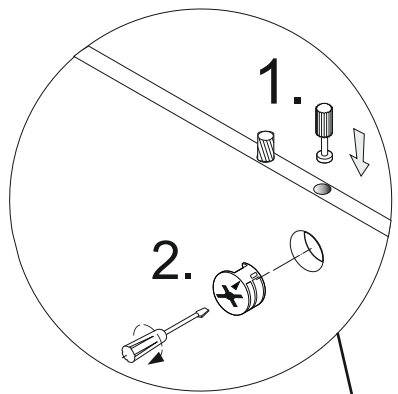
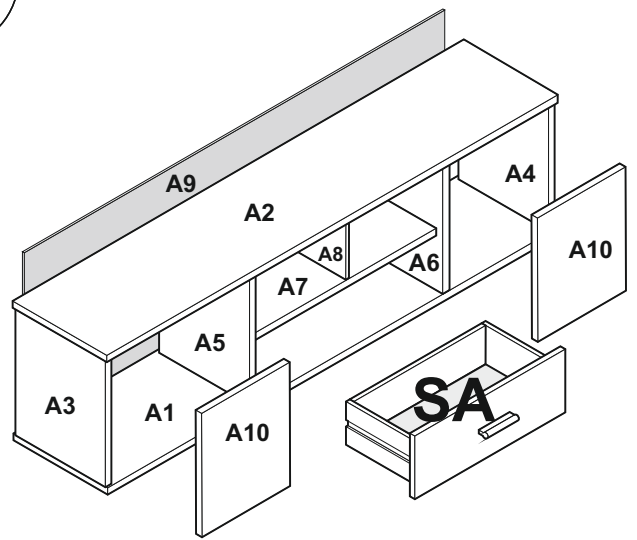


1	x40	2	x34	3	x7	4	3.5x30 x4	4A	4x16 x21
5	x20	6	5x11EU x76	9	x32	9A	x32	10	x11
11	3.5x13 x6	13	x32	14	x16	17	x2	18	x1
21	4x30 x4	22	x22	22A	x16	23	x2	24	x2
26	x1	30	x1	35	x12	36	x24	37	300mm x2
38	x34	39	3x20 x6	41	x3	71	x2	72	x2
80	x7								



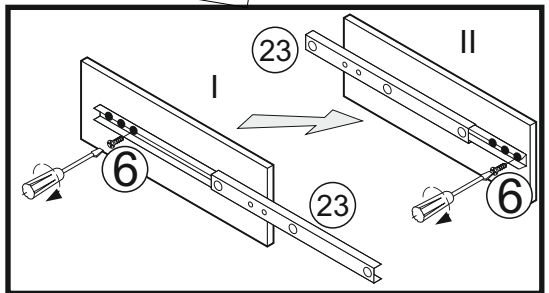
I

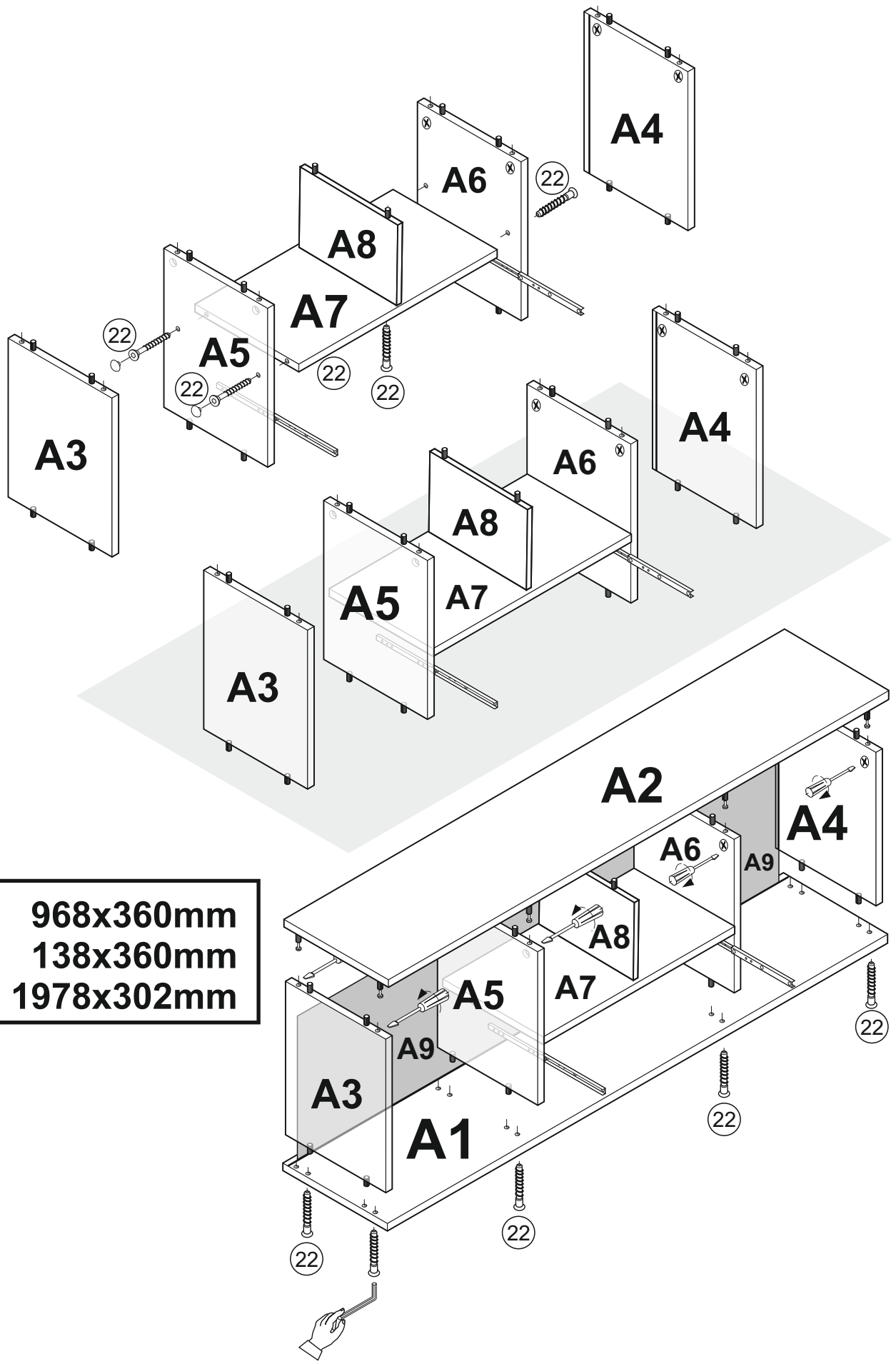
A



II

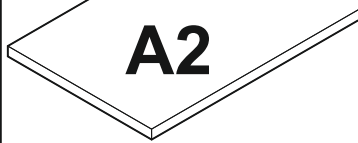
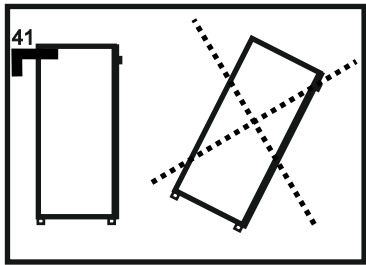
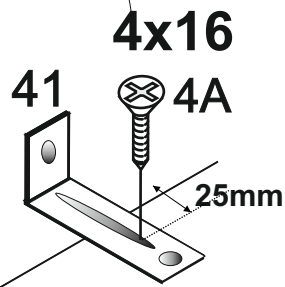
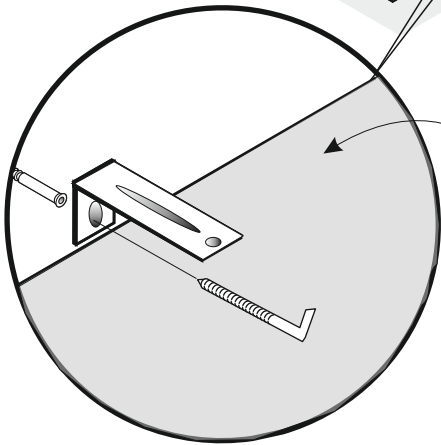
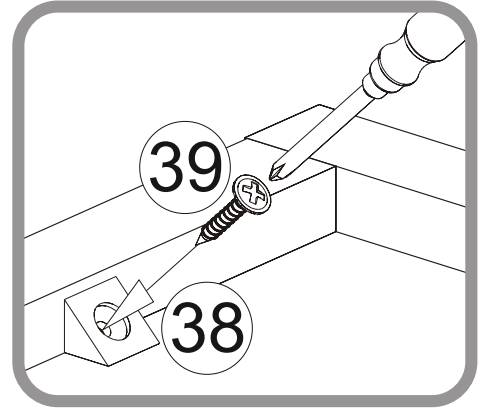
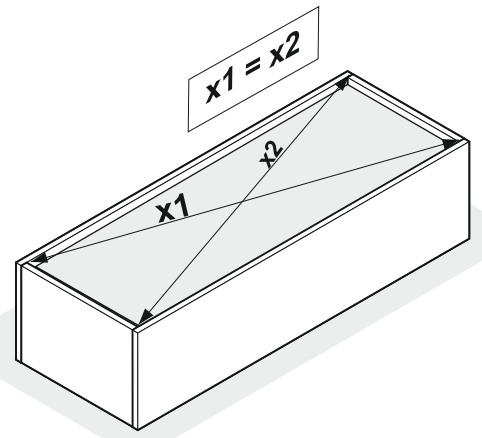
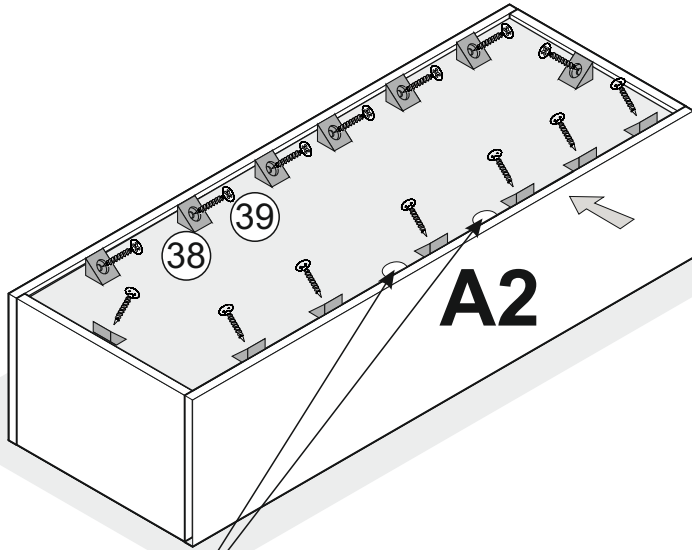
A1	2001x380mm
A2	2001x380mm
A3	292x380mm
A4	292x380mm
A5	292x360mm
A6	292x360mm



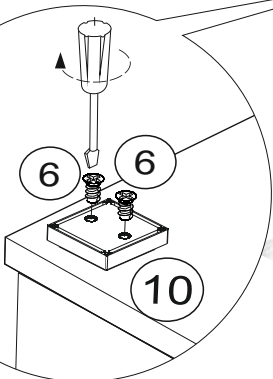
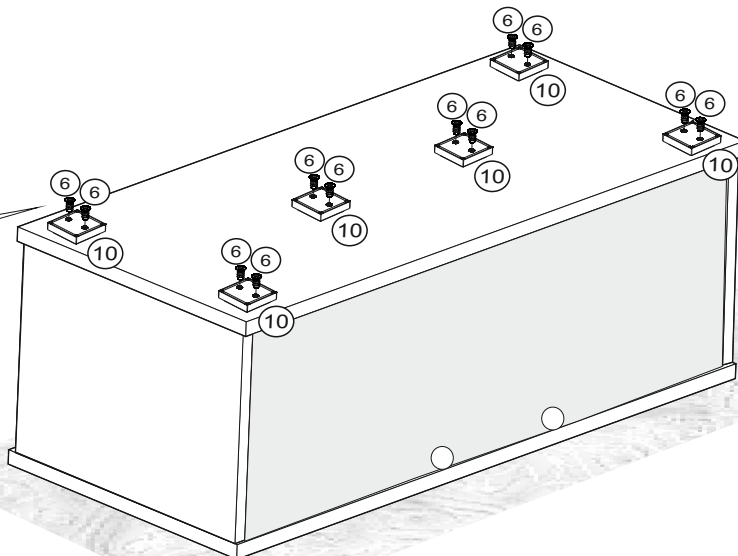


A7	968x360mm
A8	138x360mm
A9	1978x302mm

IV

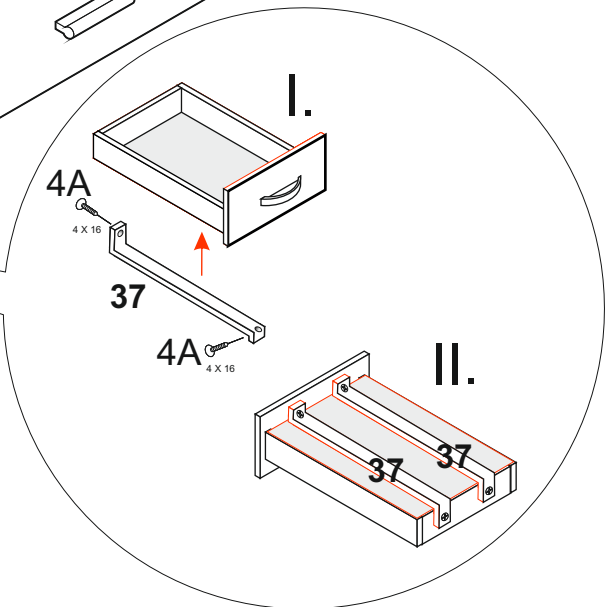
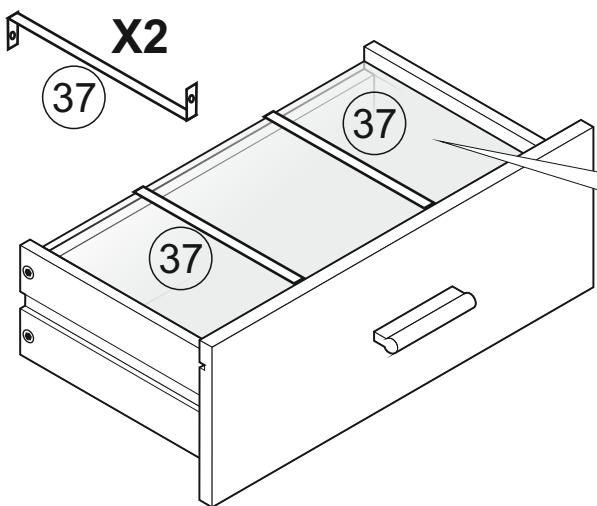
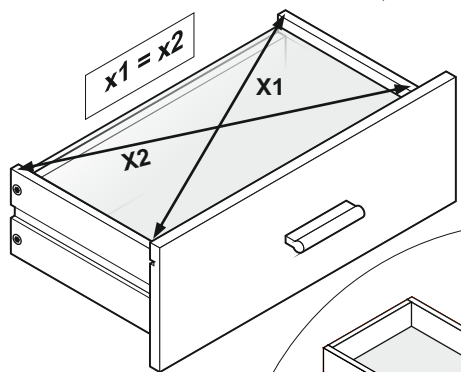
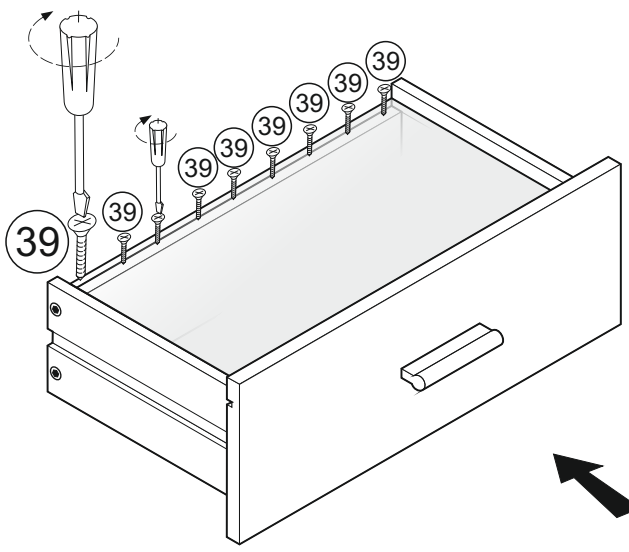
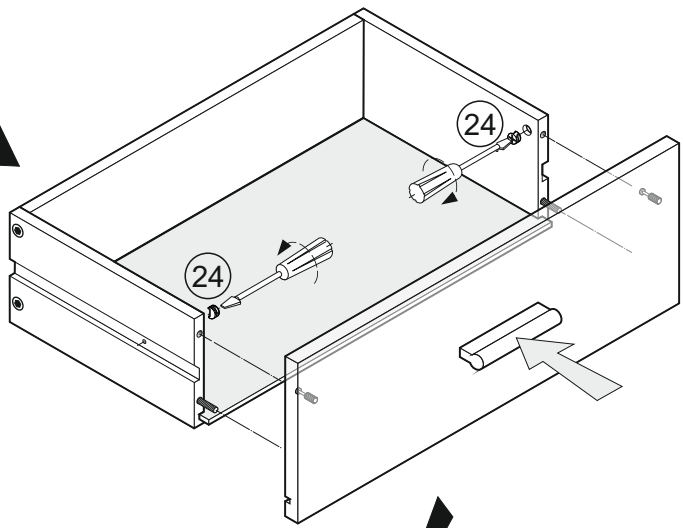
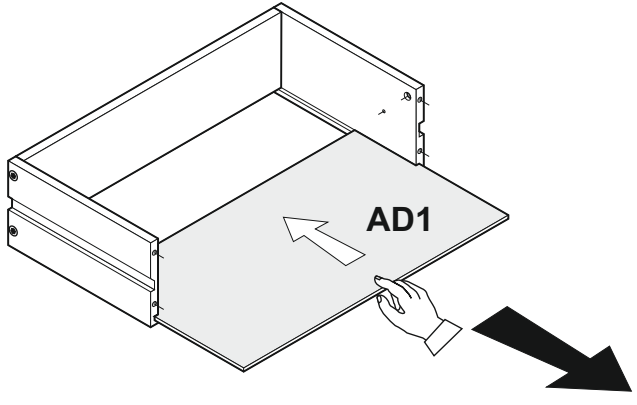
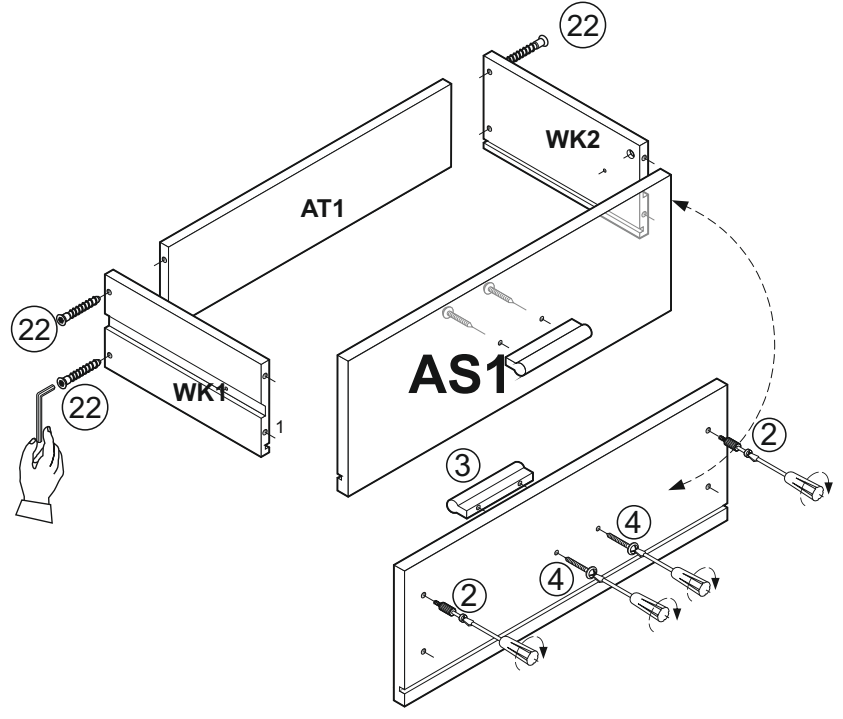


V

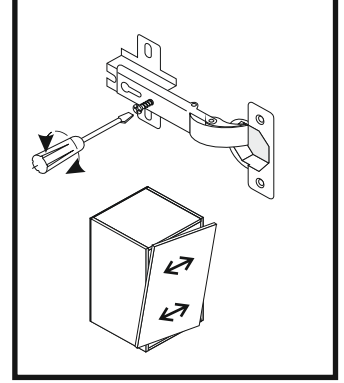
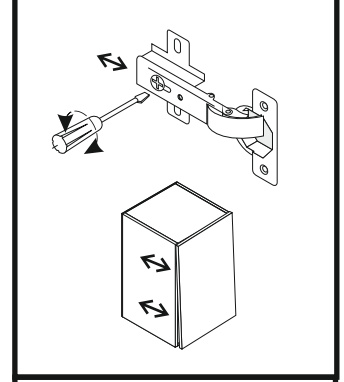
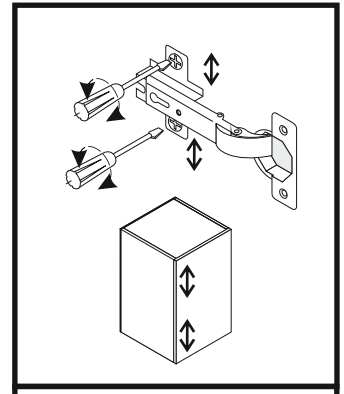
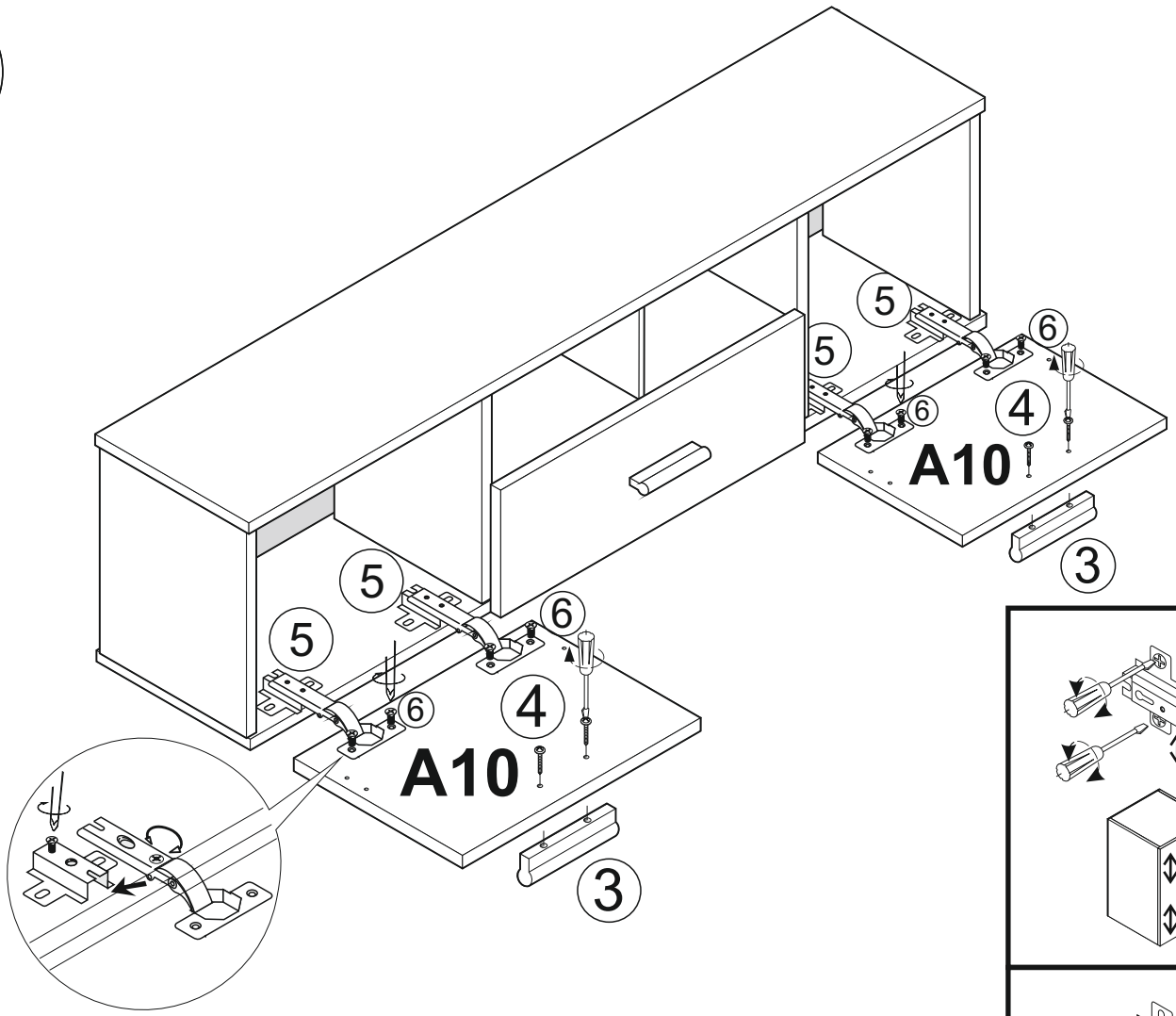


VI

AT1	952x85mm
AS1	158x996mm
AD1	962x303mm
WK1	300x100mm
WK2	300x100mm

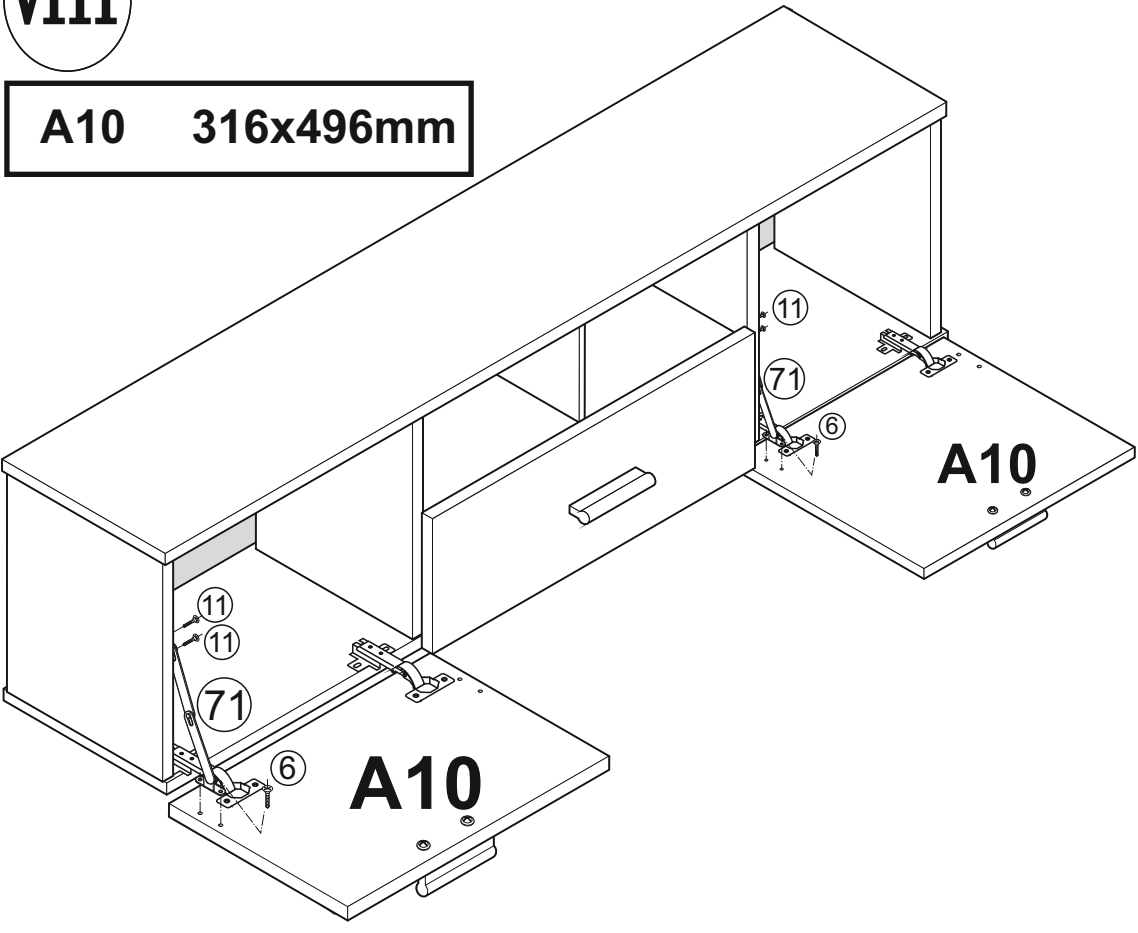


VII



VIII

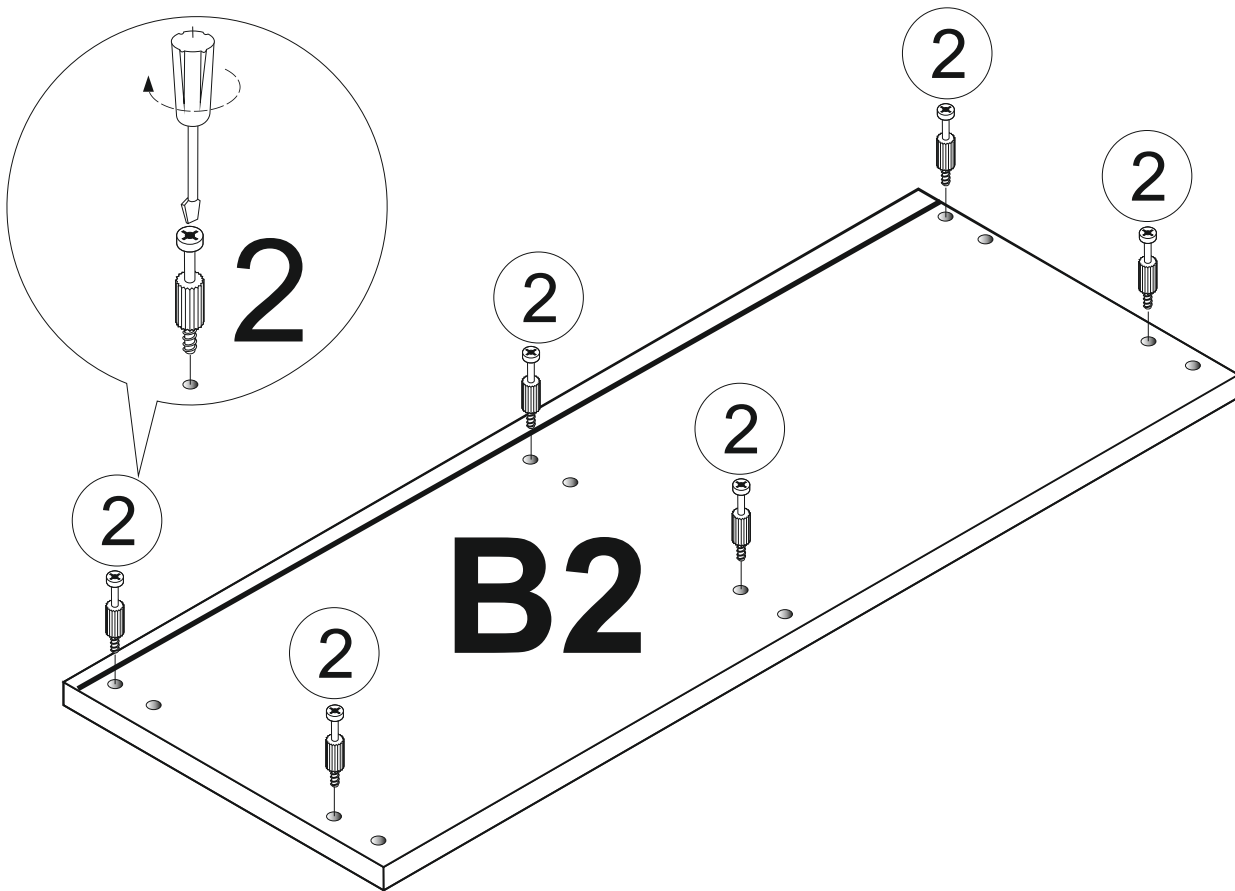
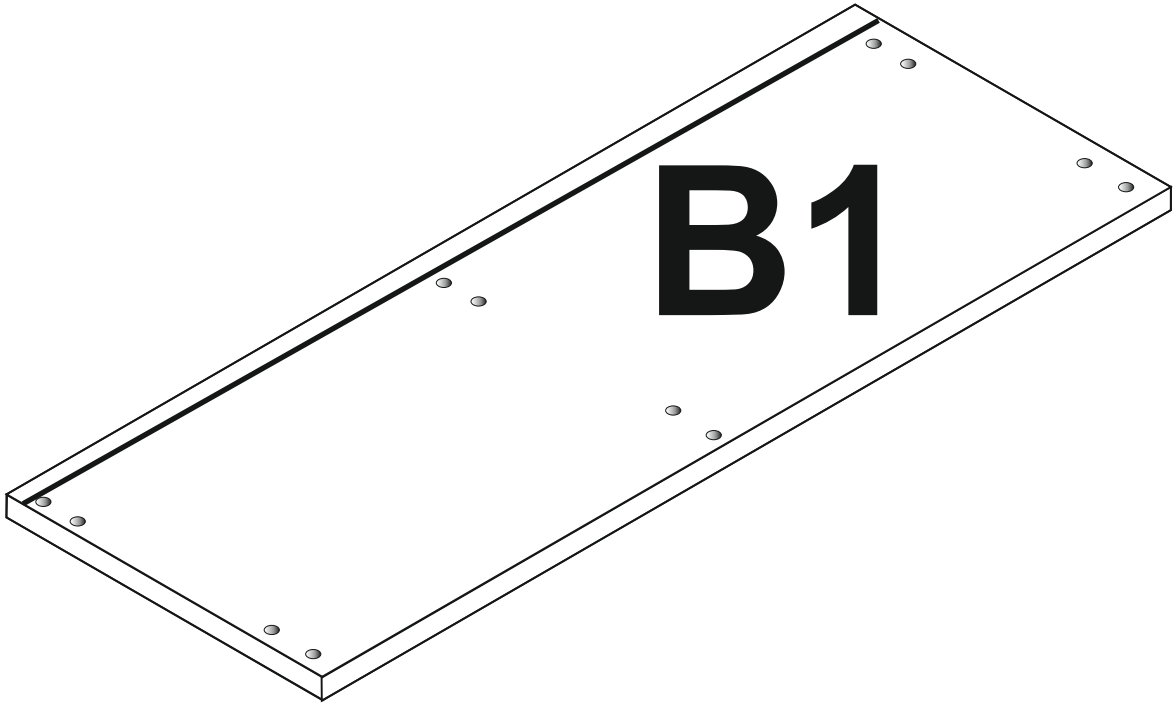
A10 316x496mm



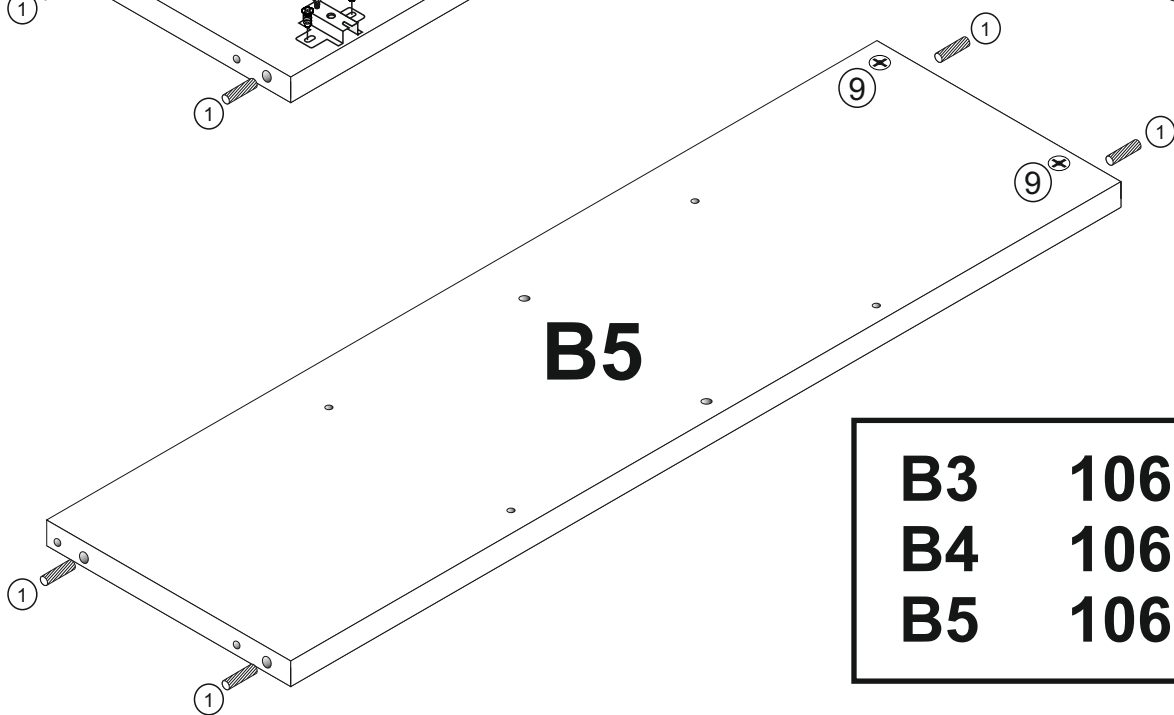
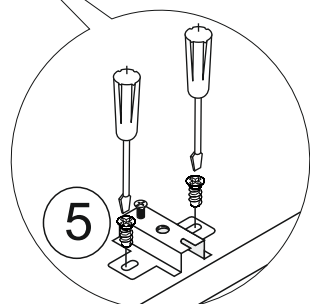
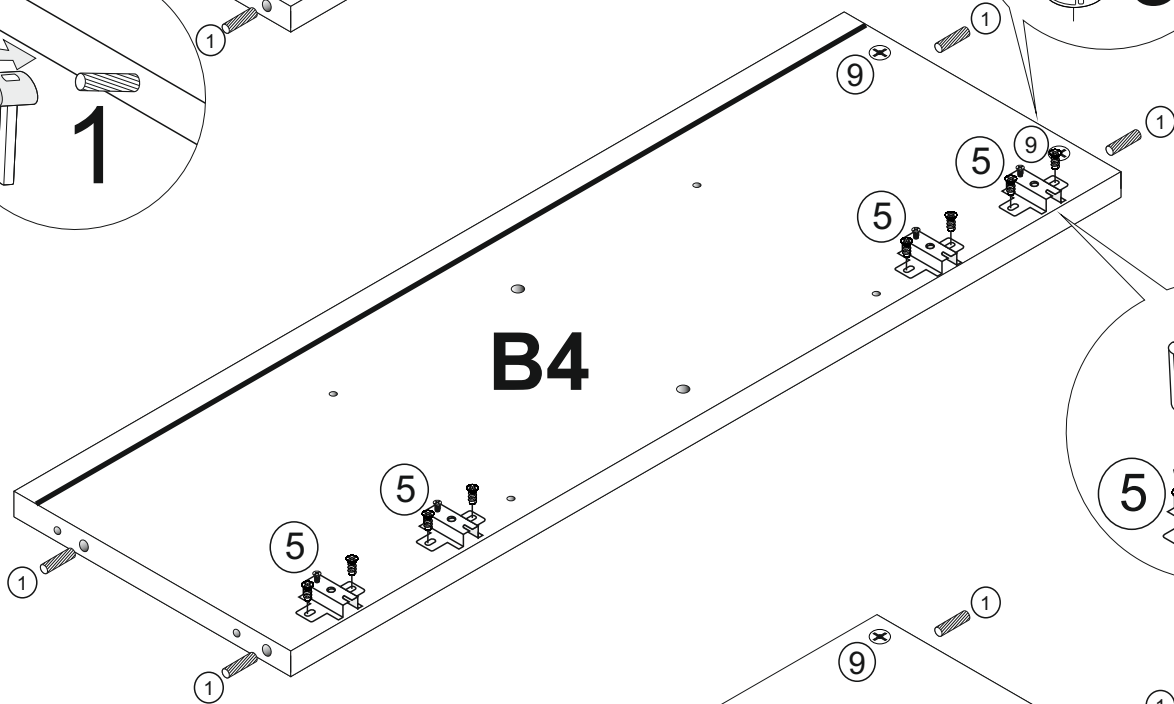
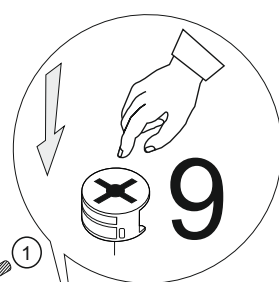
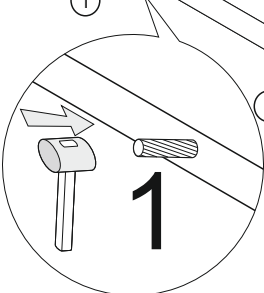
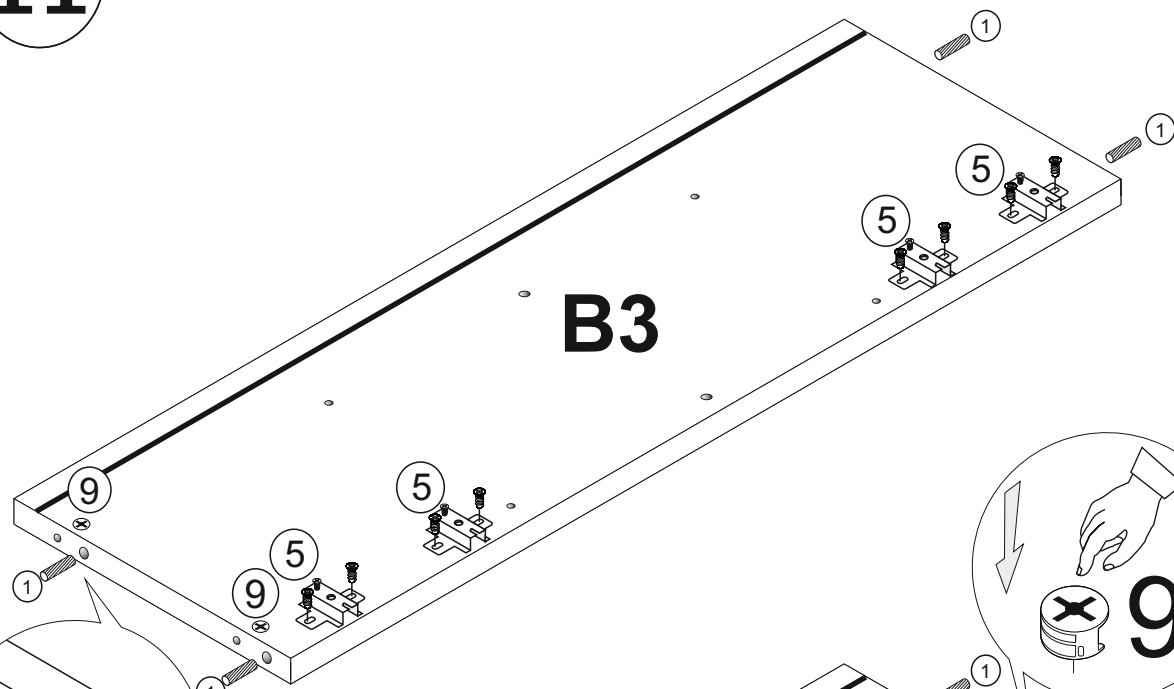
B

I

B1 801x314mm
B2 801x314mm

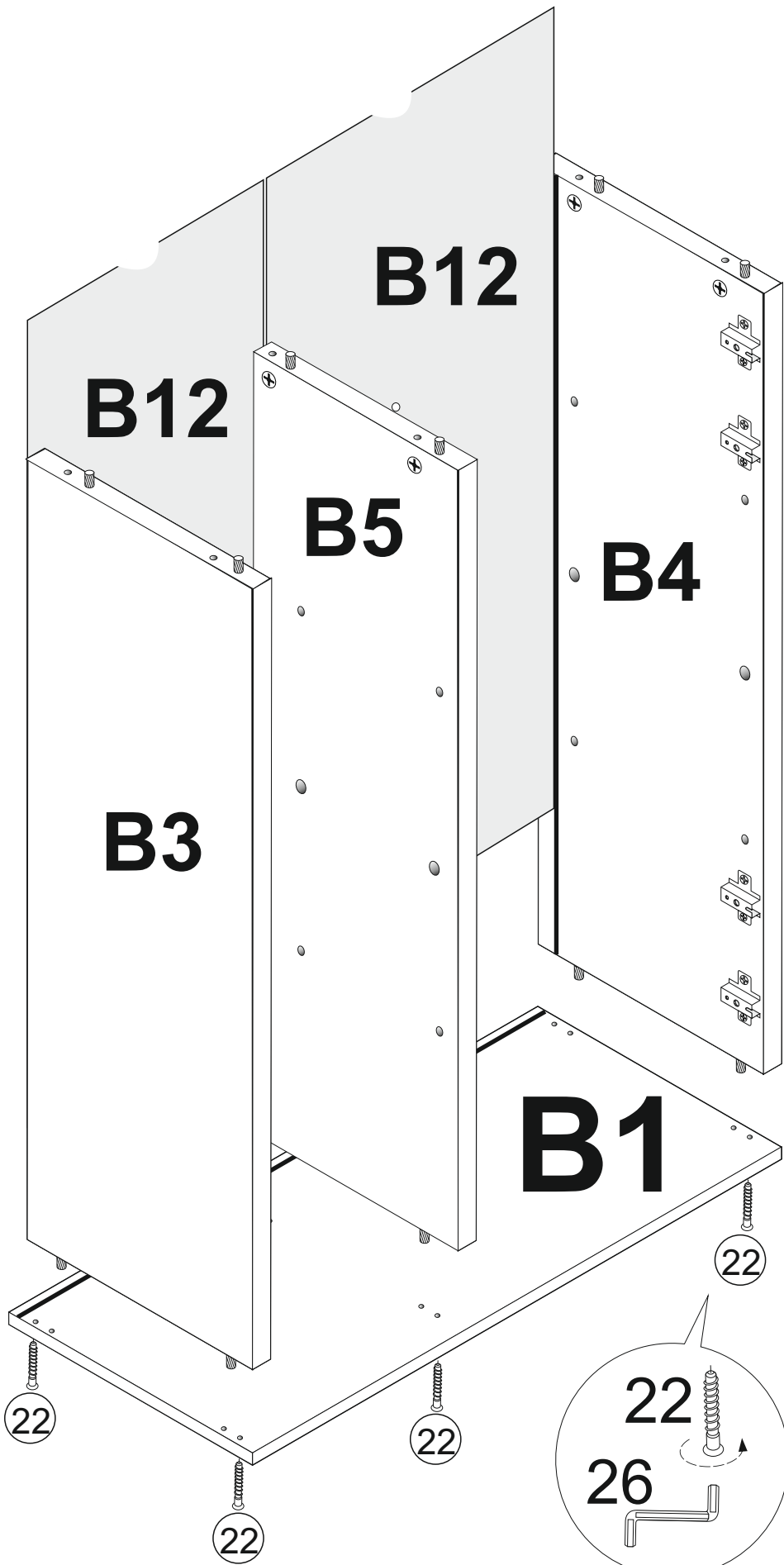


II



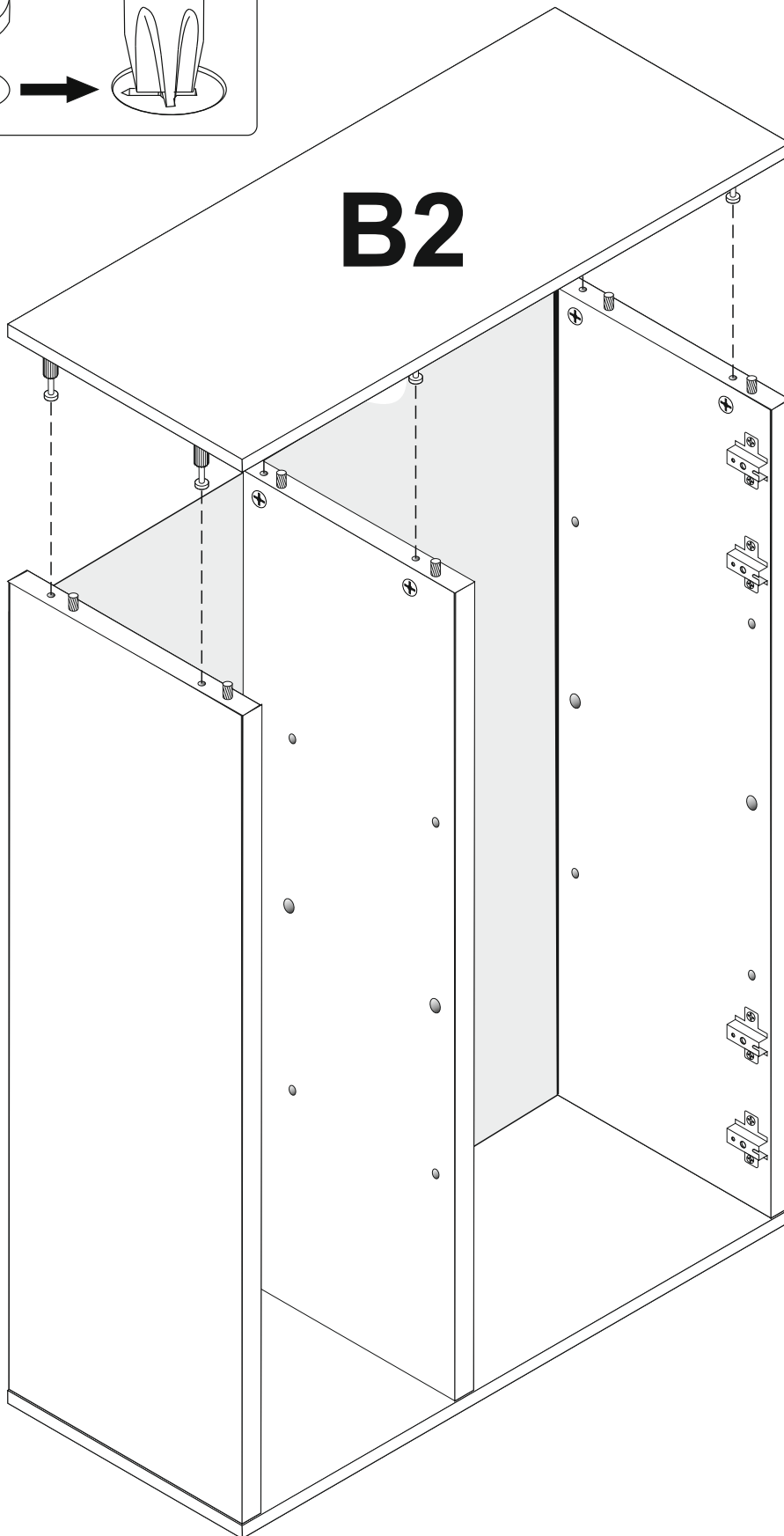
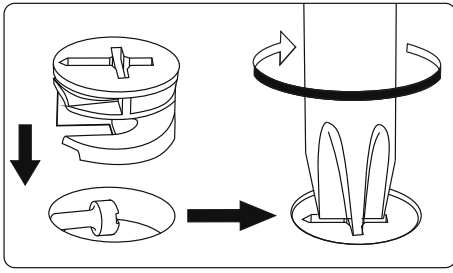
B3	1068x314mm
B4	1068x314mm
B5	1068x294mm

III

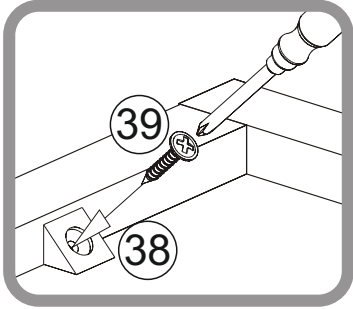
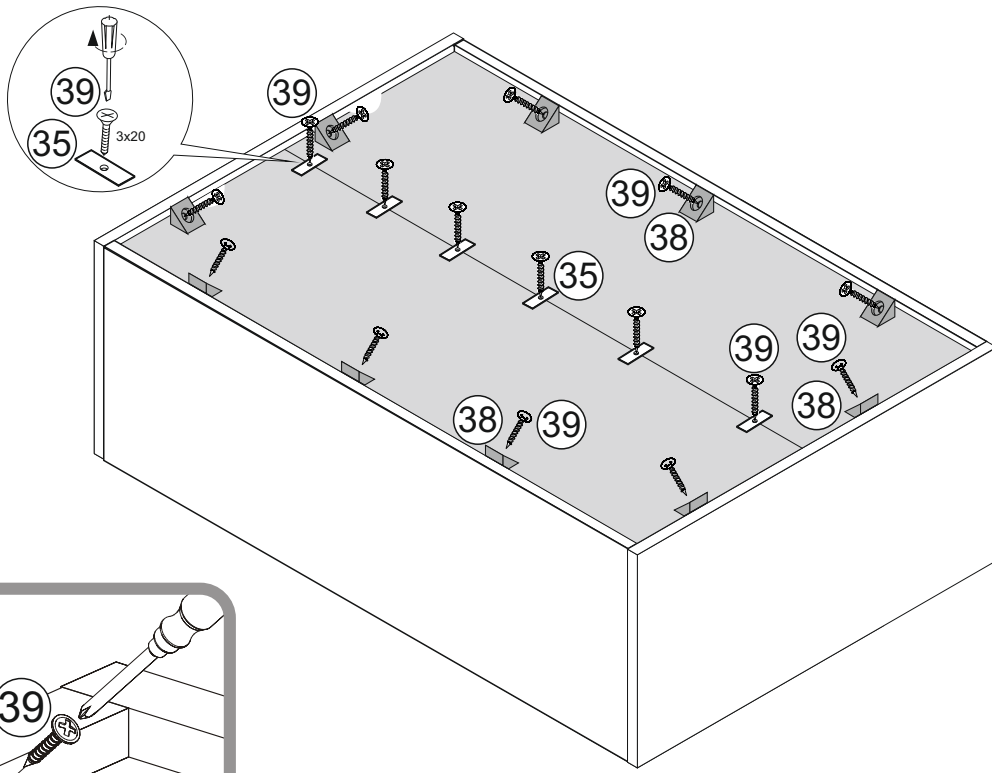


B12 1078x388mm

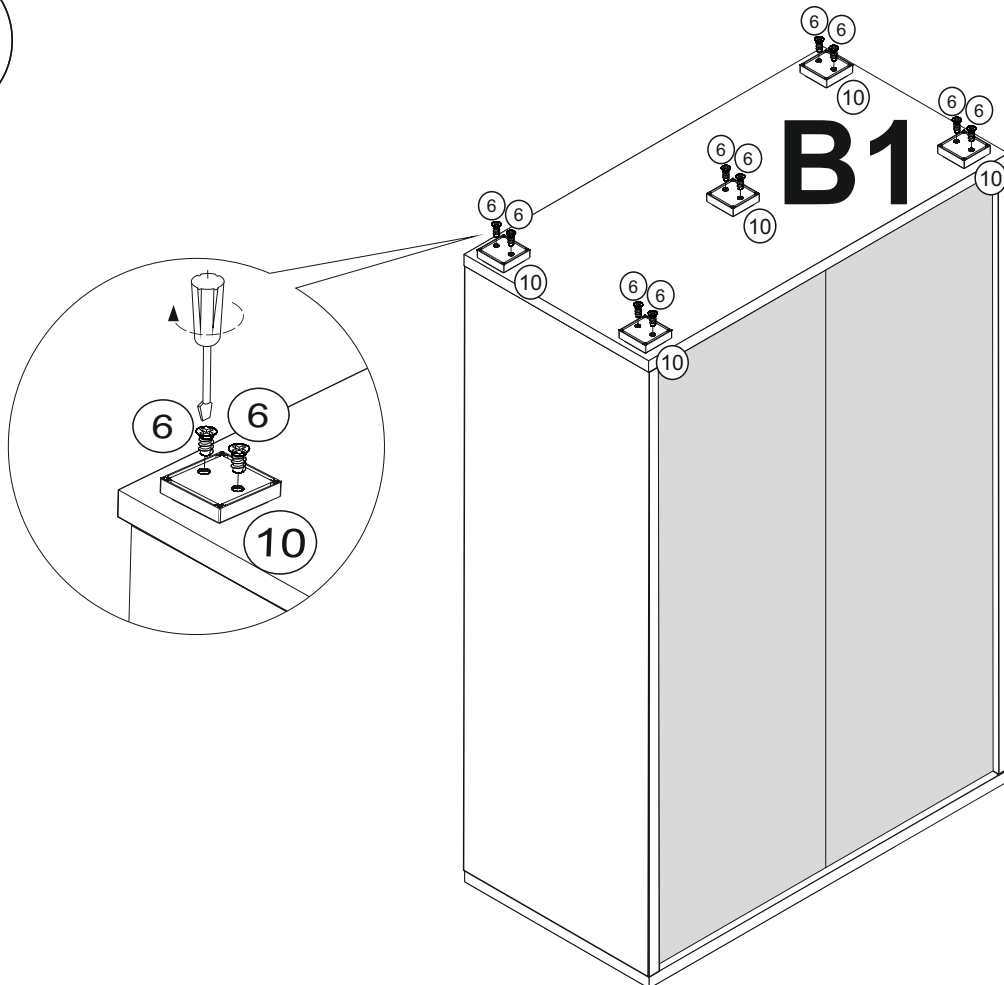
IV



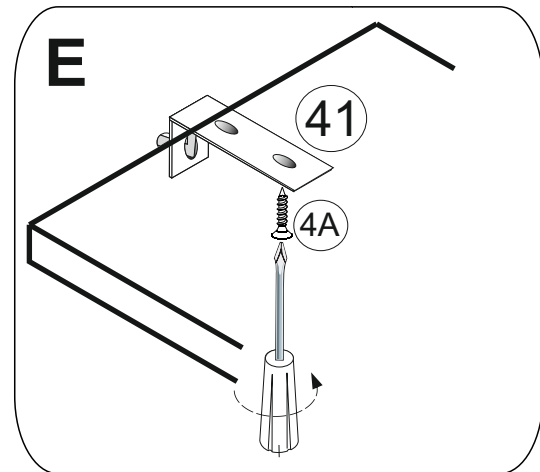
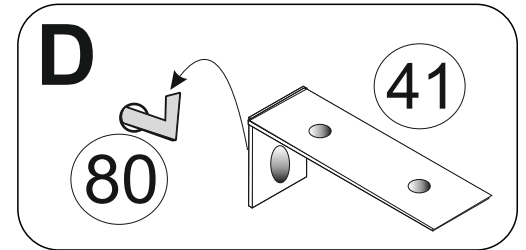
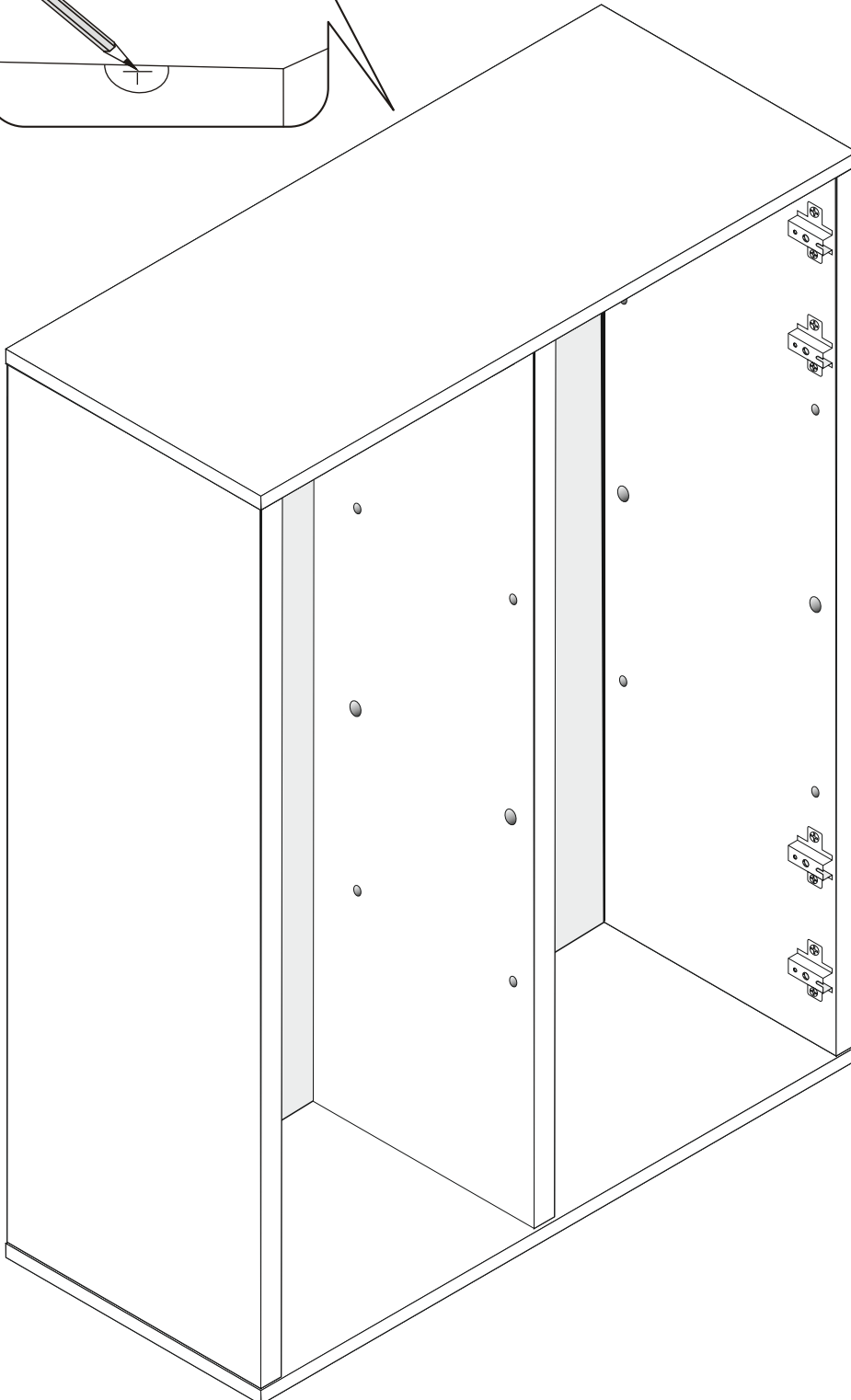
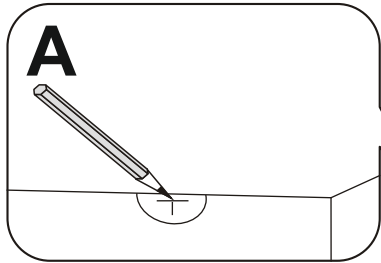
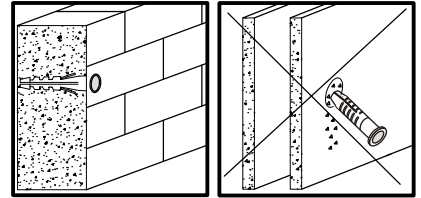
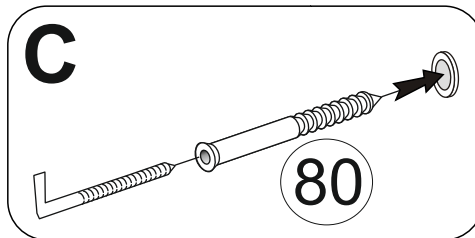
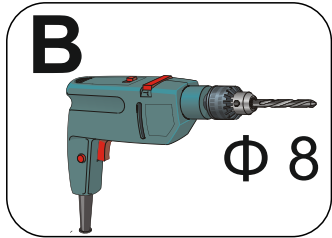
V



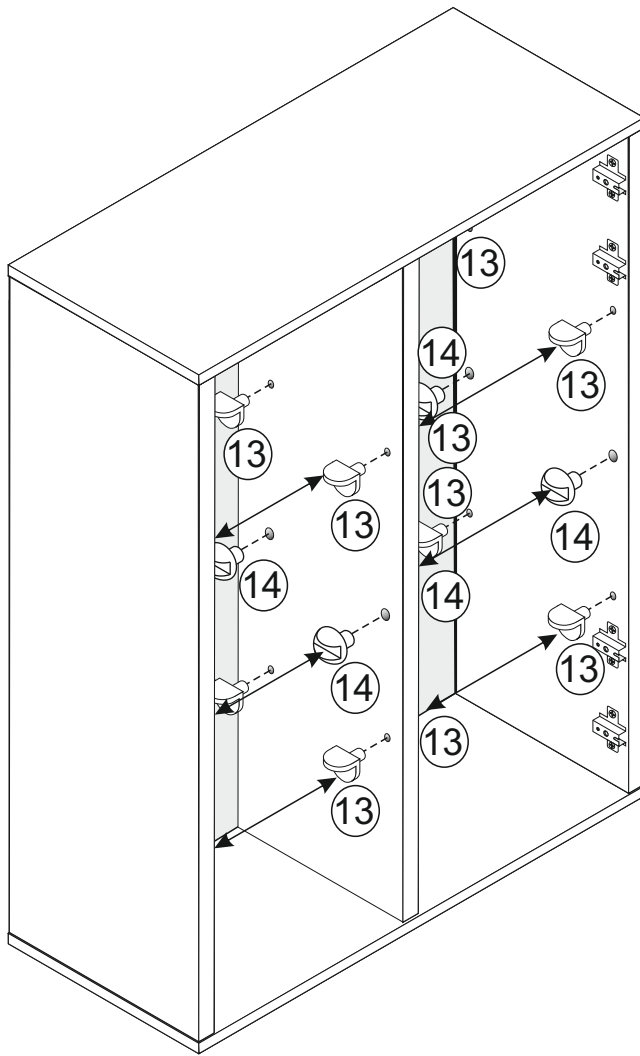
VI



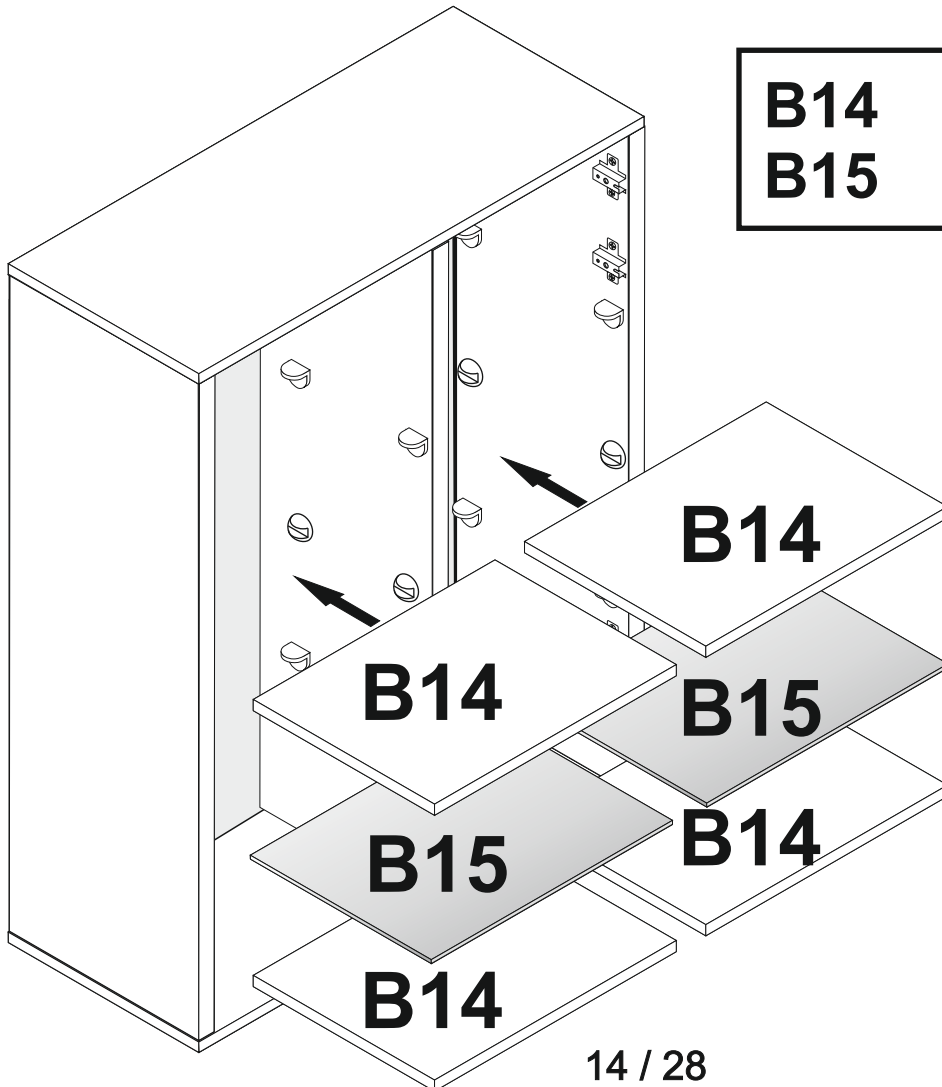
VII



VIII

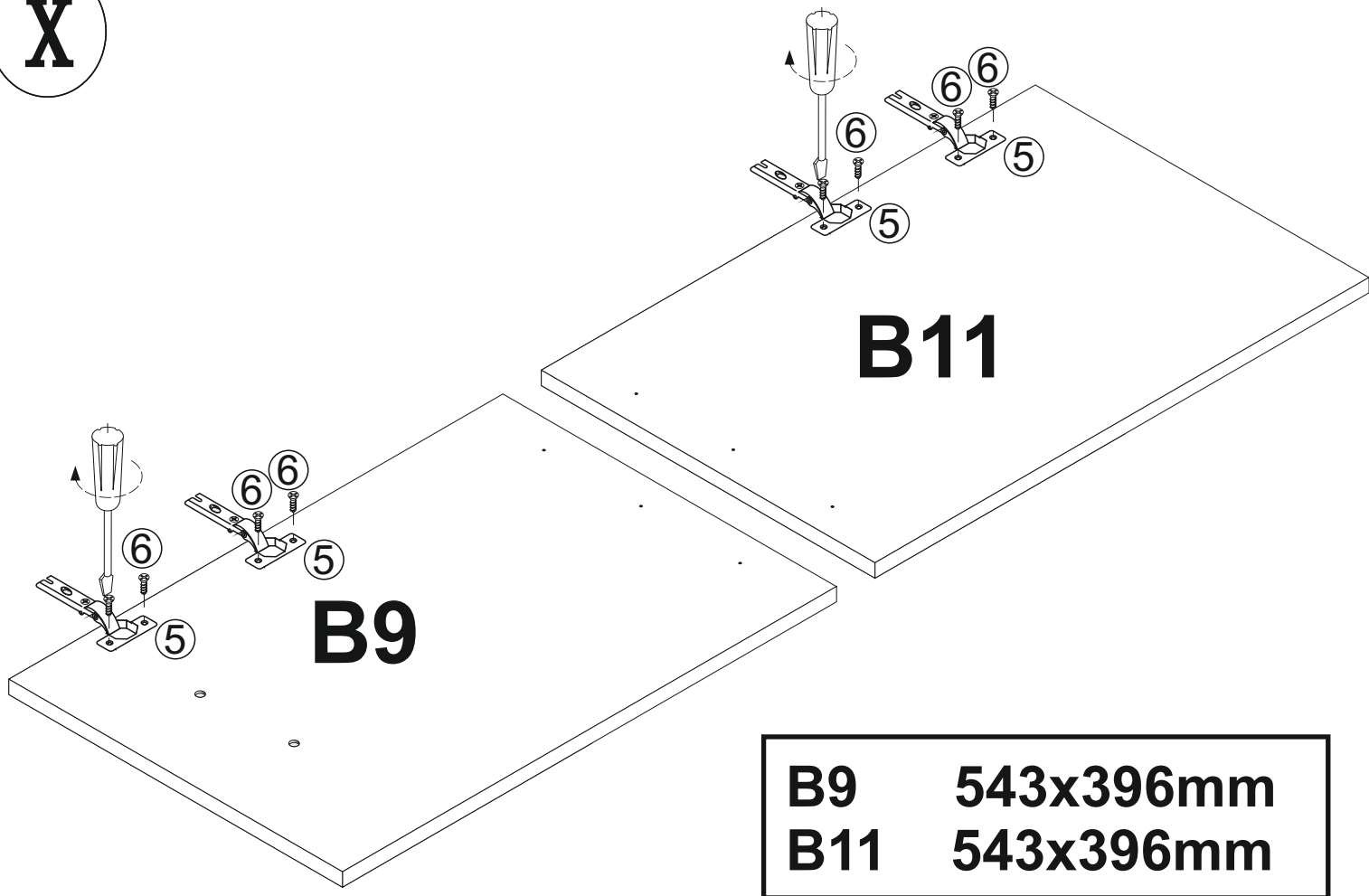


IX

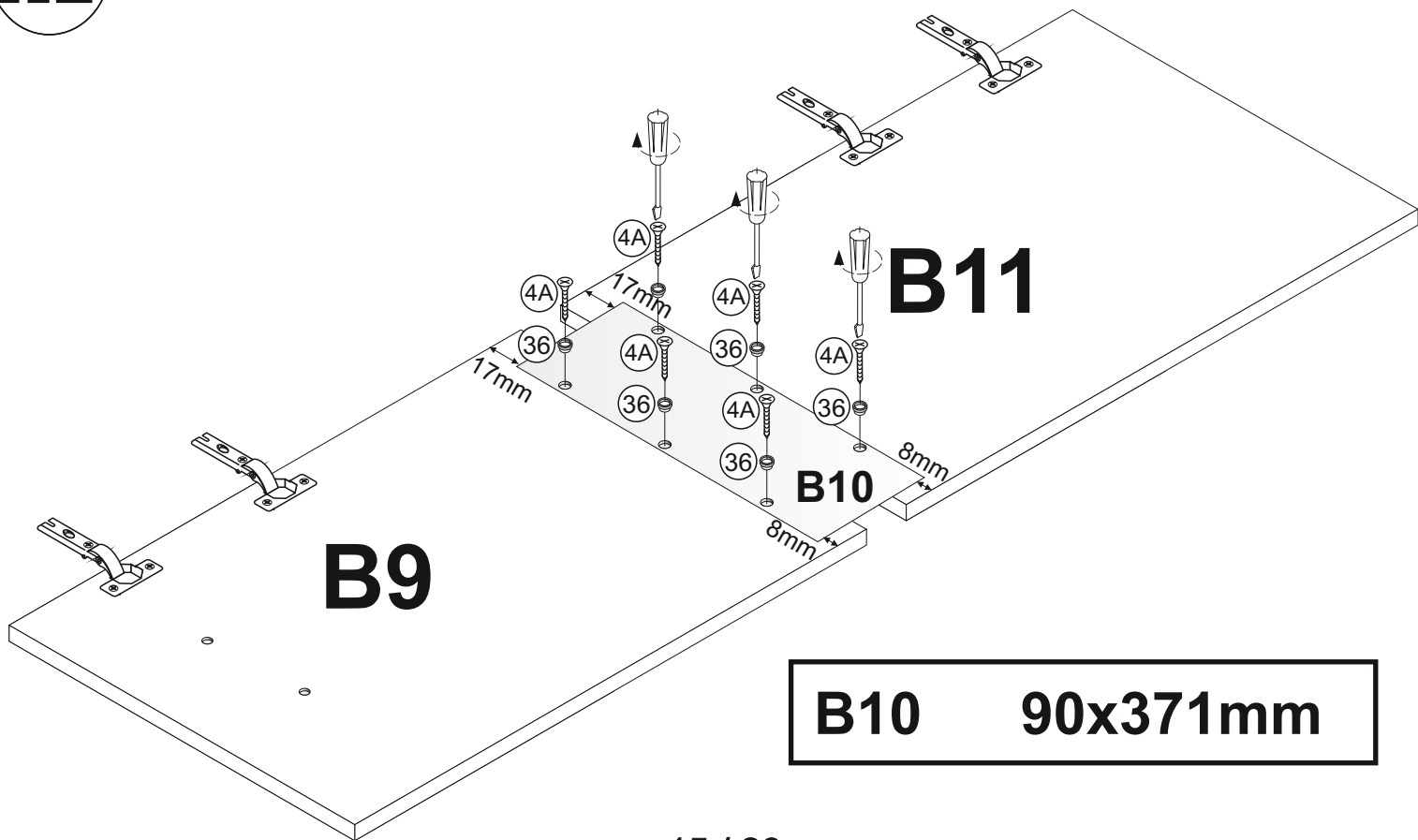


B14	375x280mm
B15	368x280mm

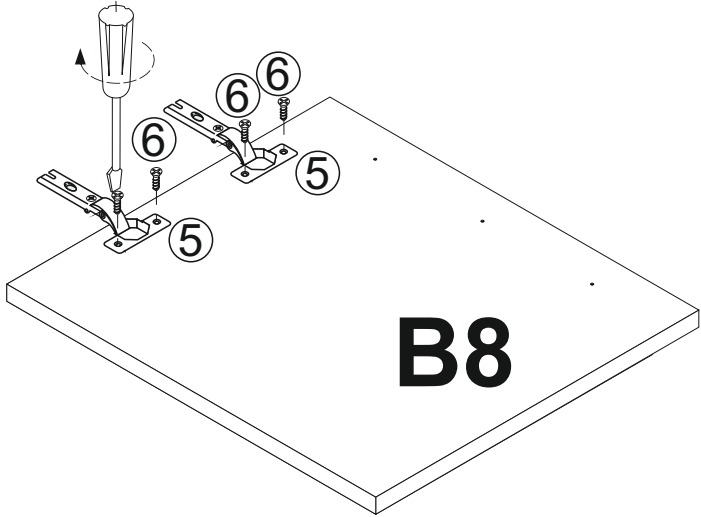
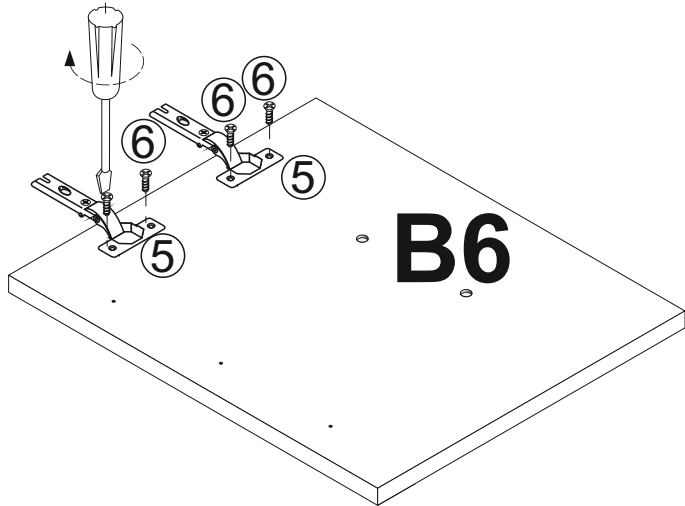
X



XI

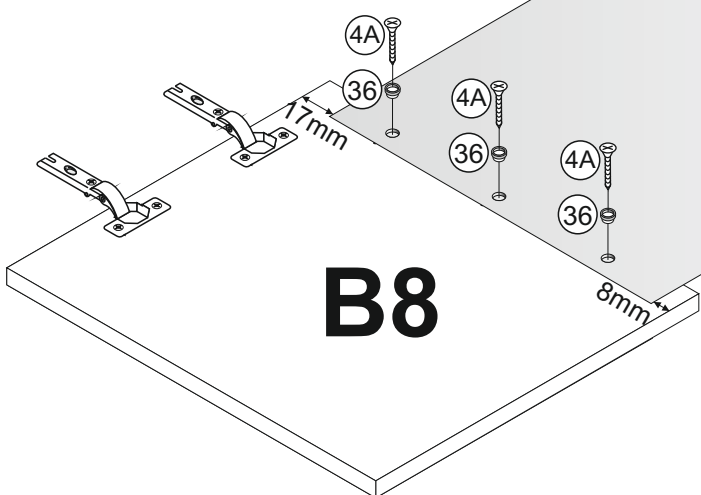
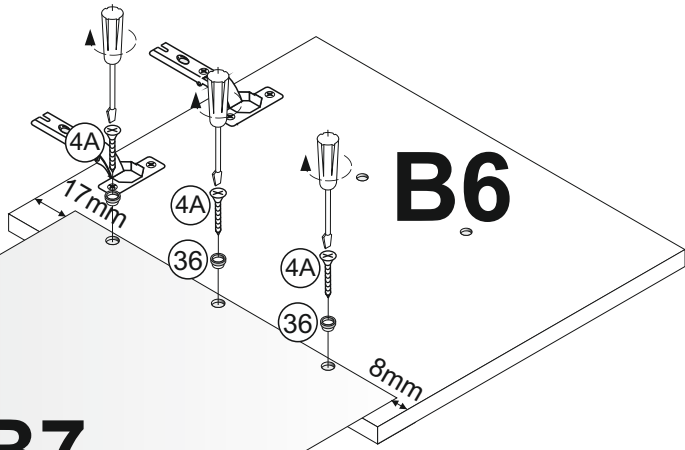


XII

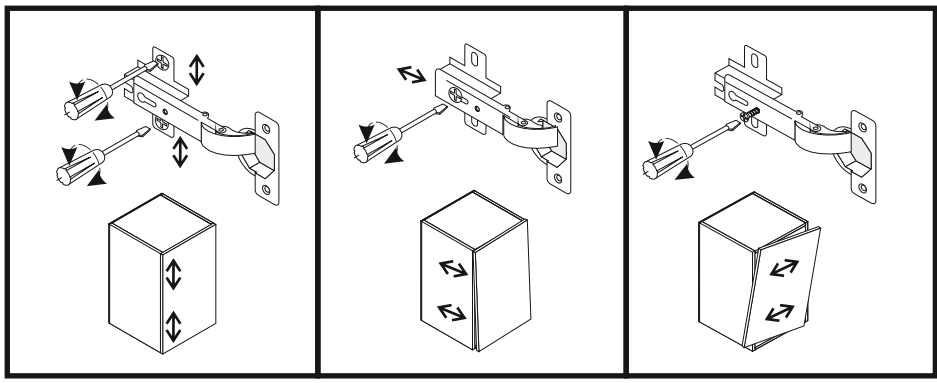
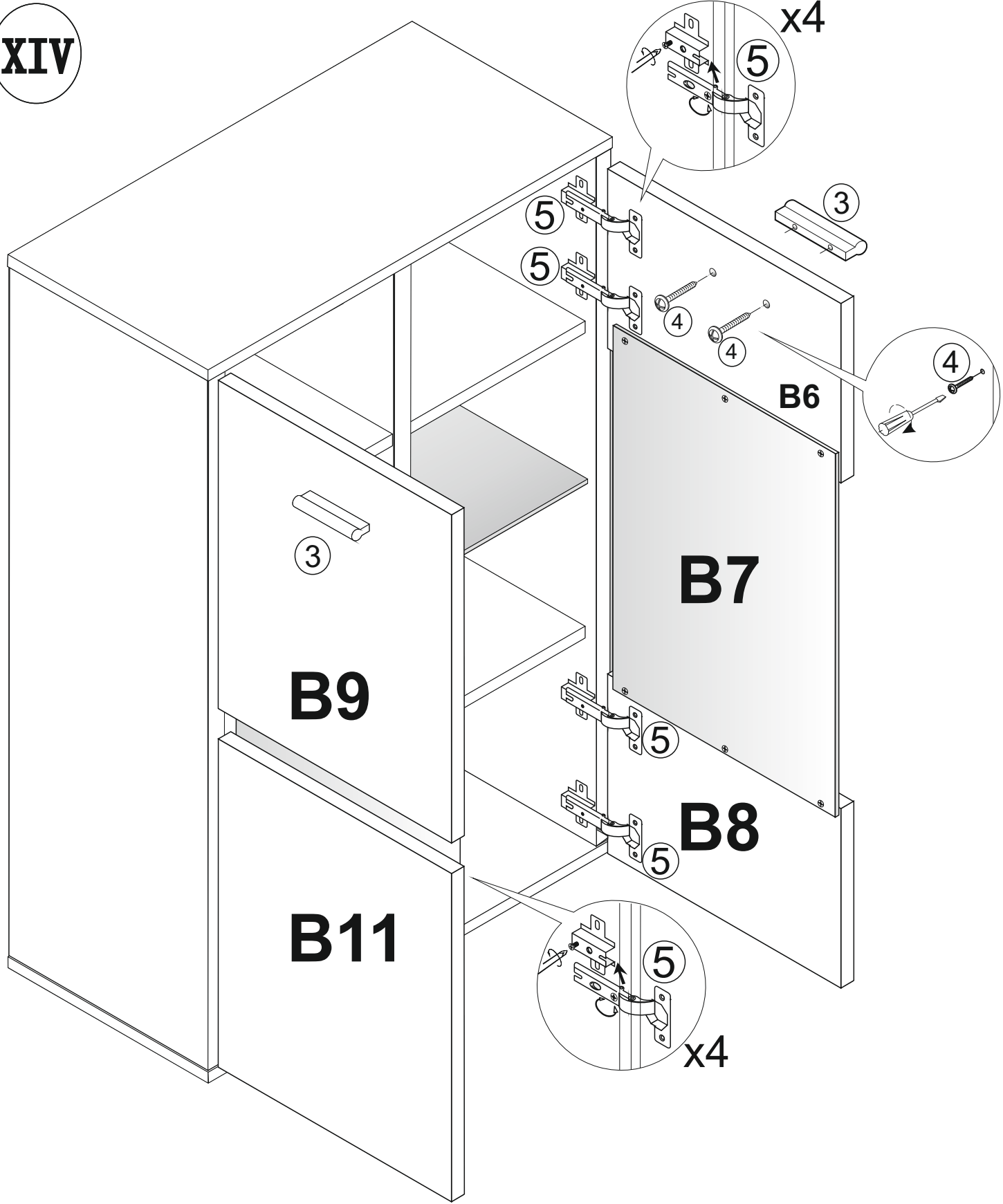


B6	320x396mm
B8	320x396mm

XIII



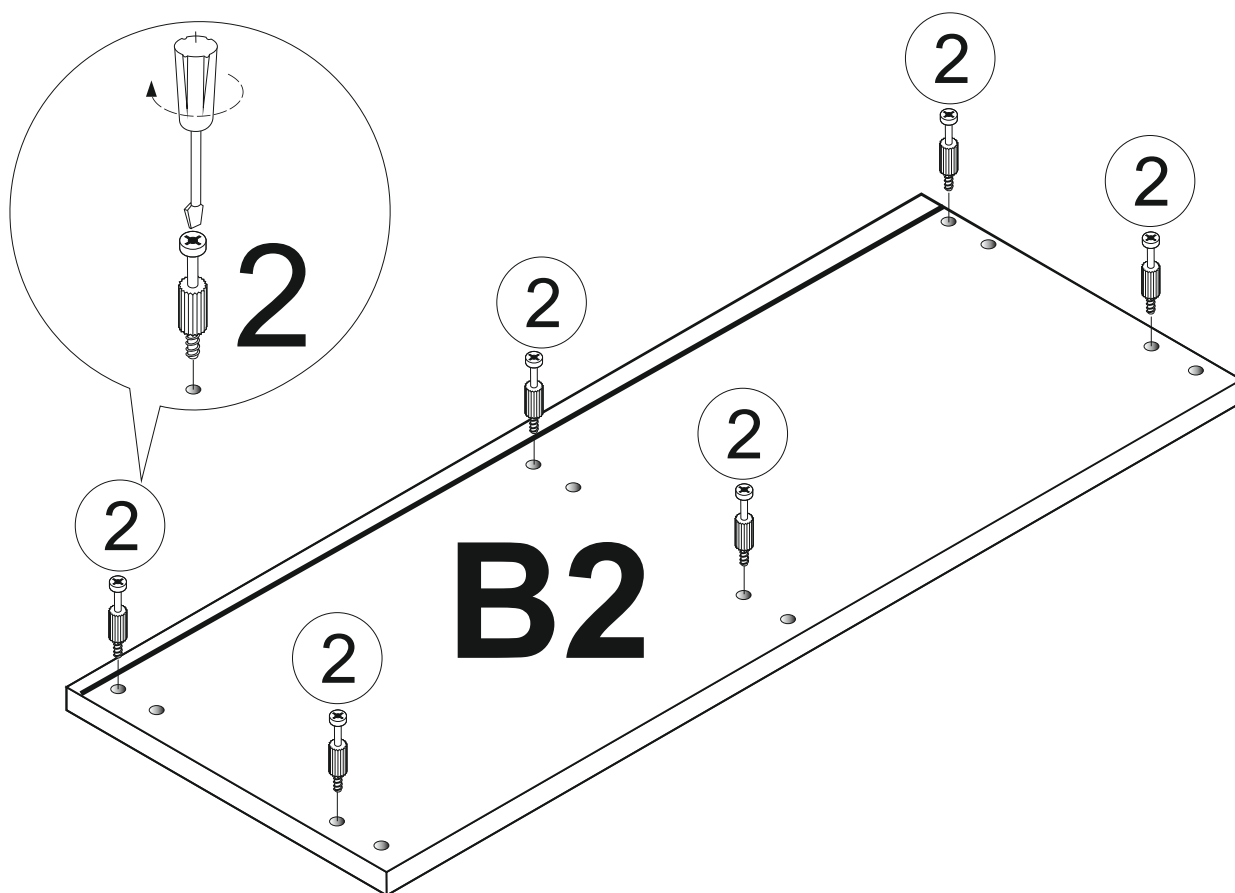
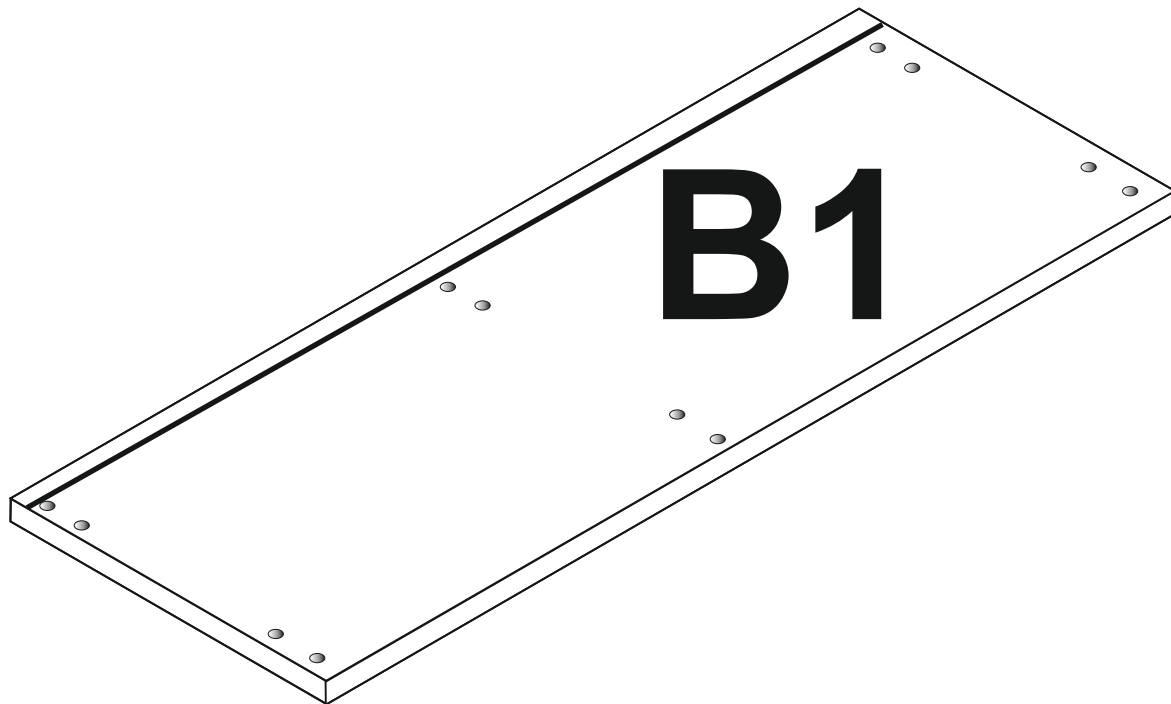
B7	516x371mm
-----------	------------------



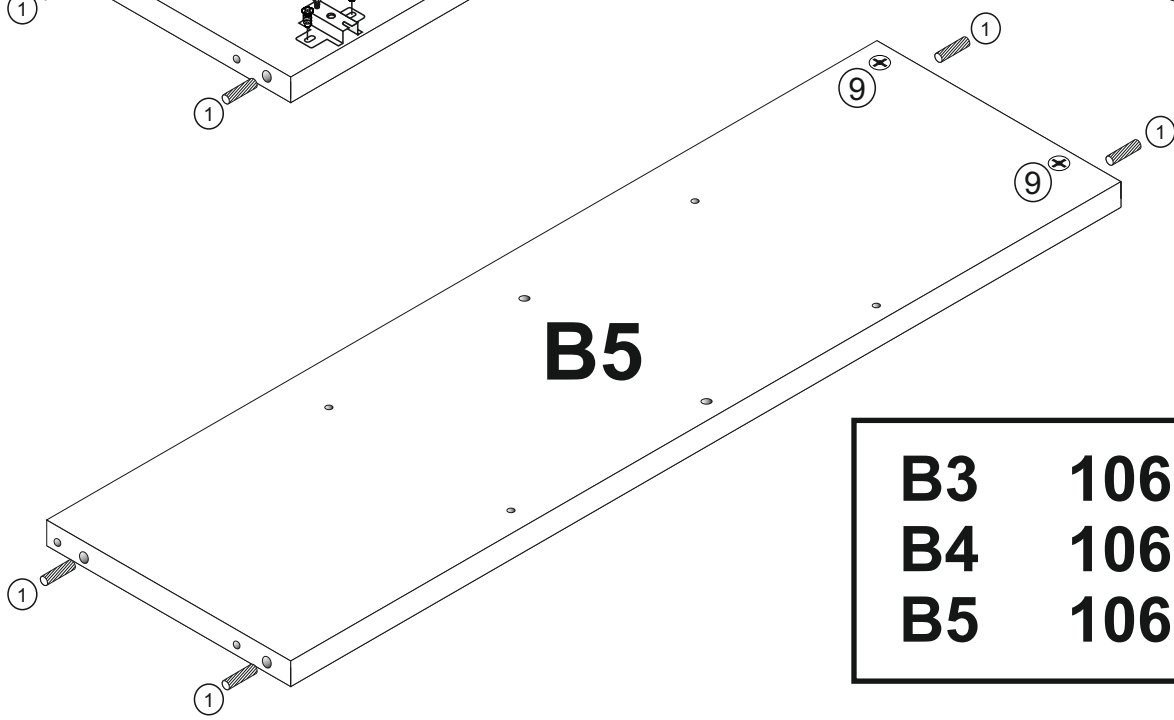
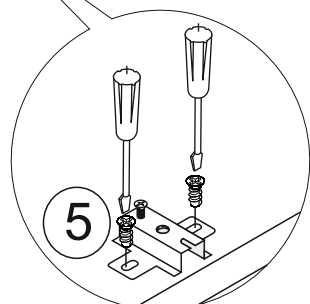
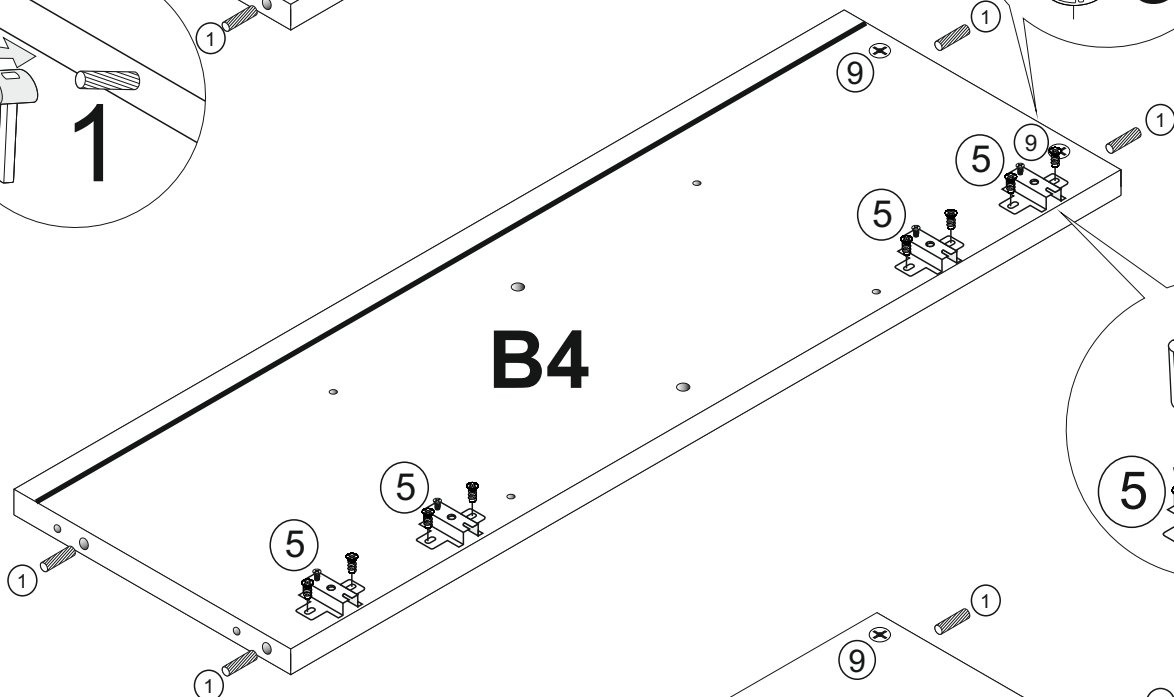
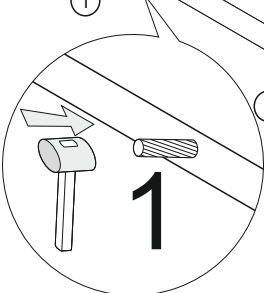
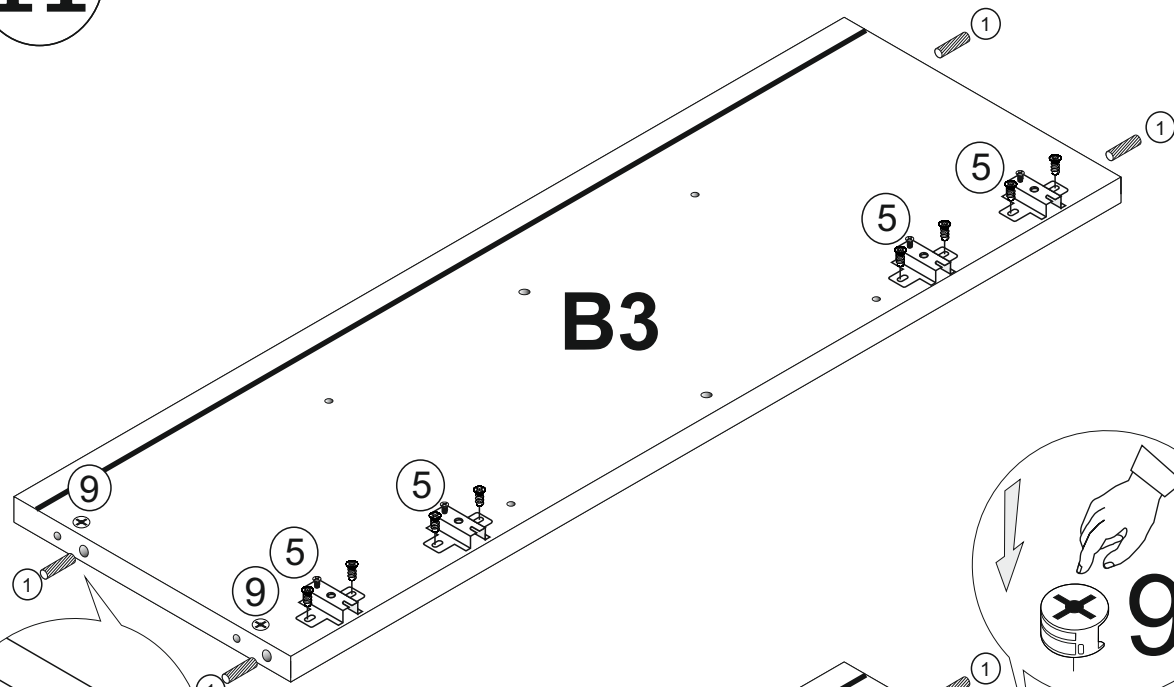
C

I

B1 801x314mm
B2 801x314mm

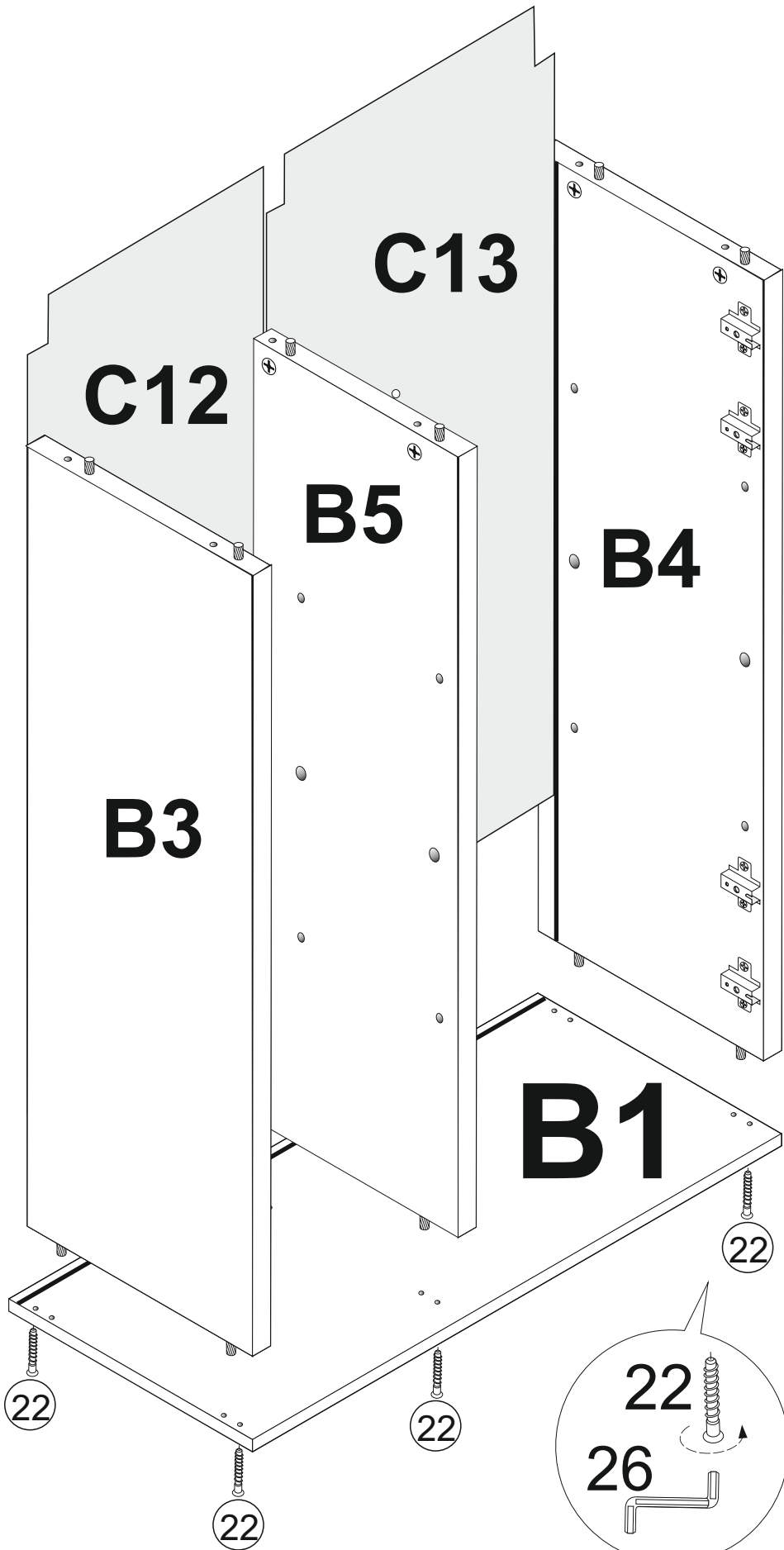


II



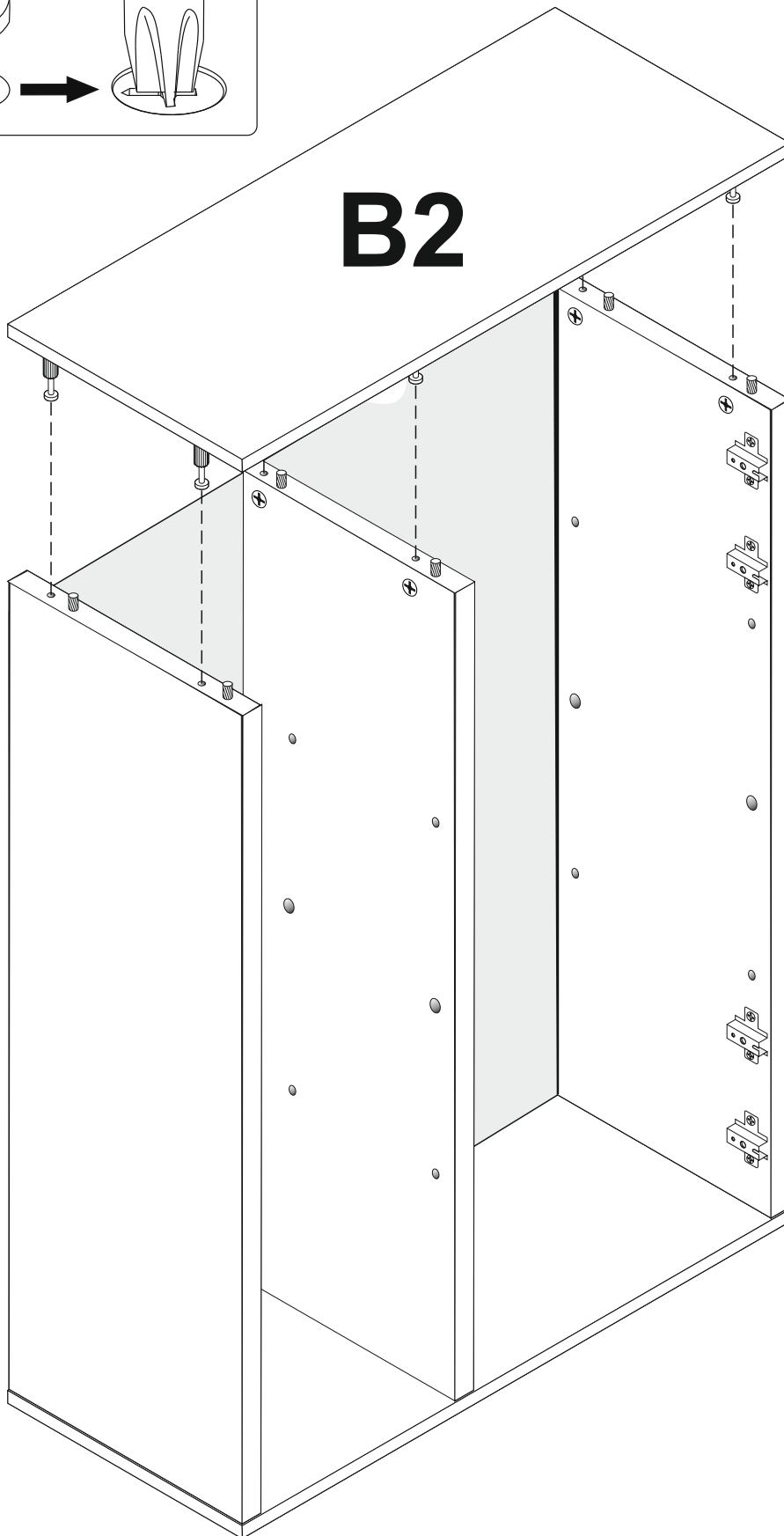
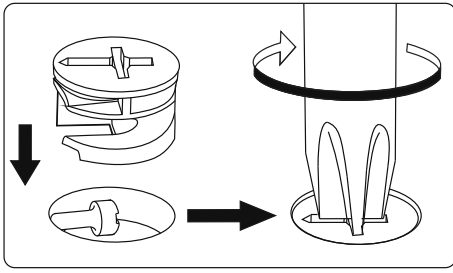
B3	1068x314mm
B4	1068x314mm
B5	1068x294mm

III

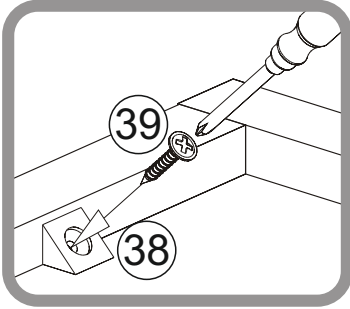
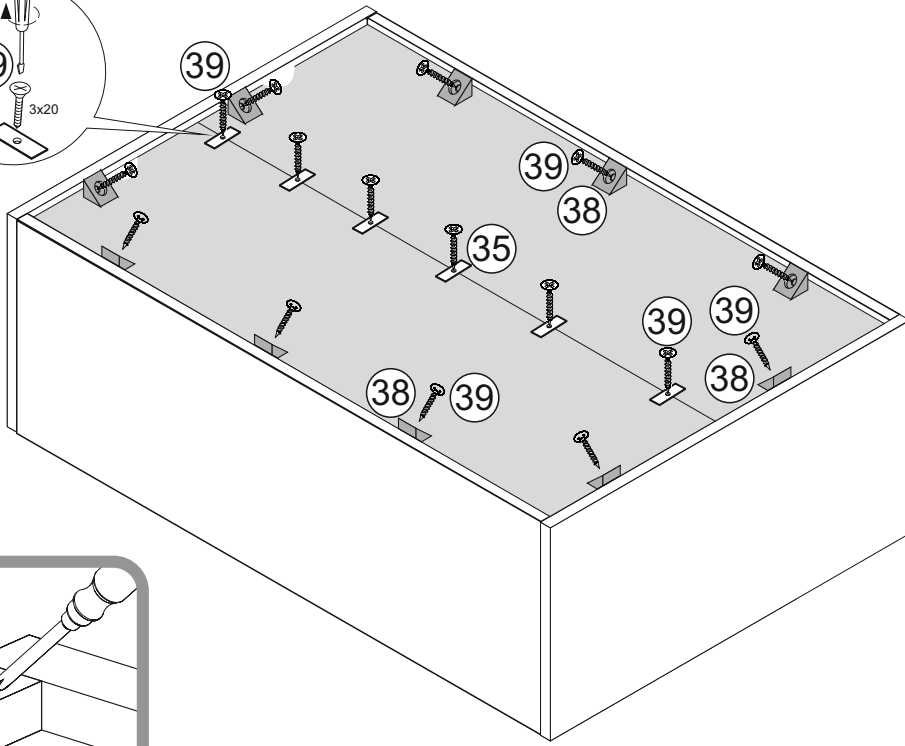
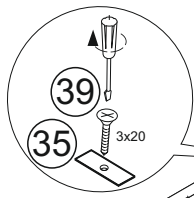


C12	1078x388mm
C13	1078x388mm

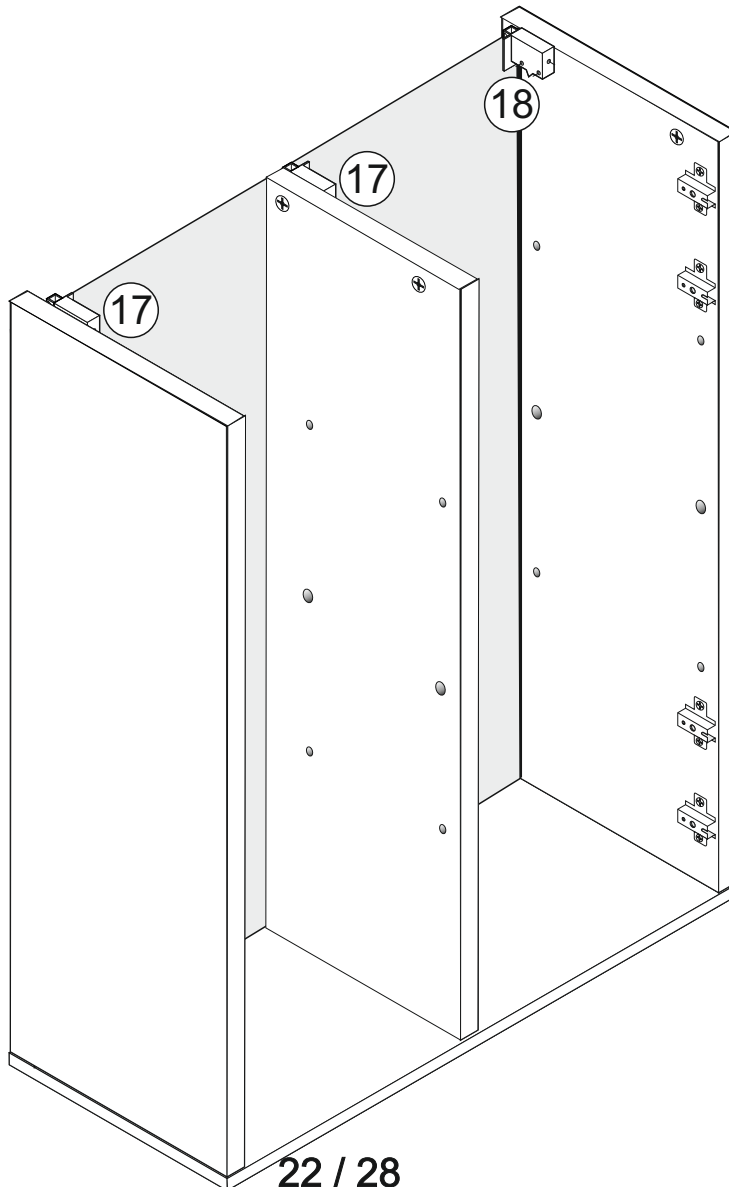
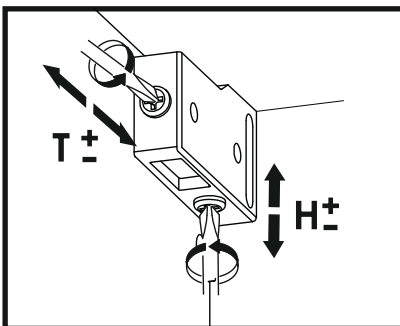
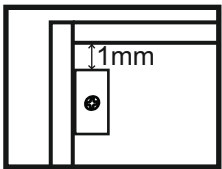
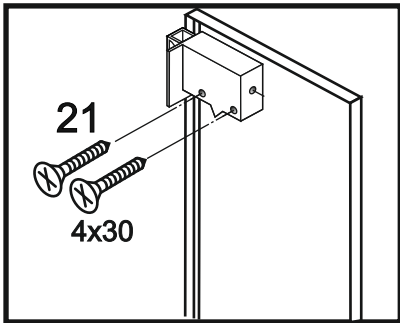
IV



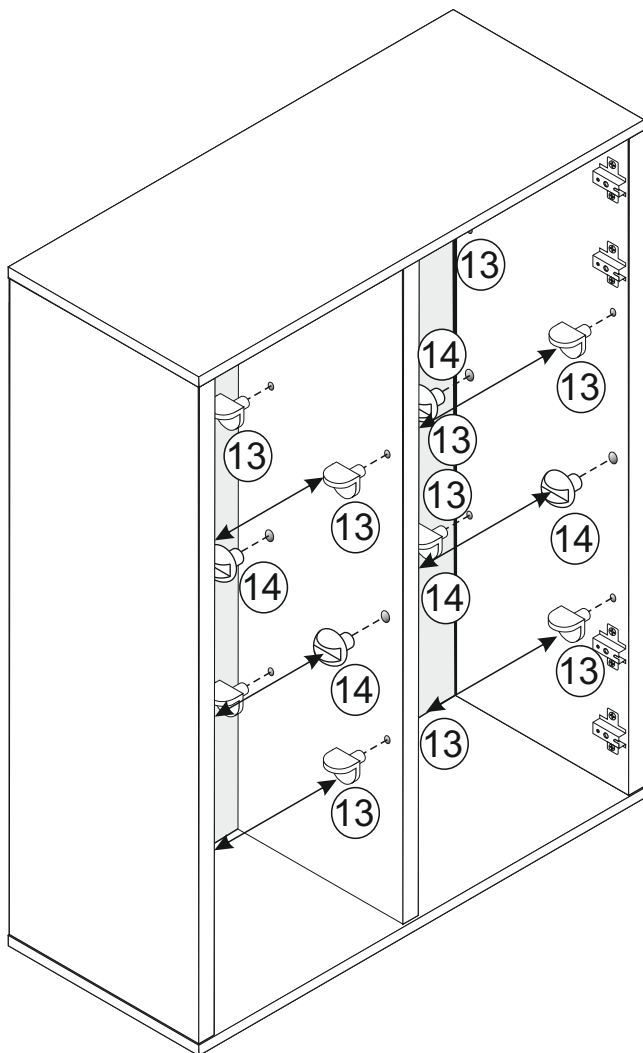
V



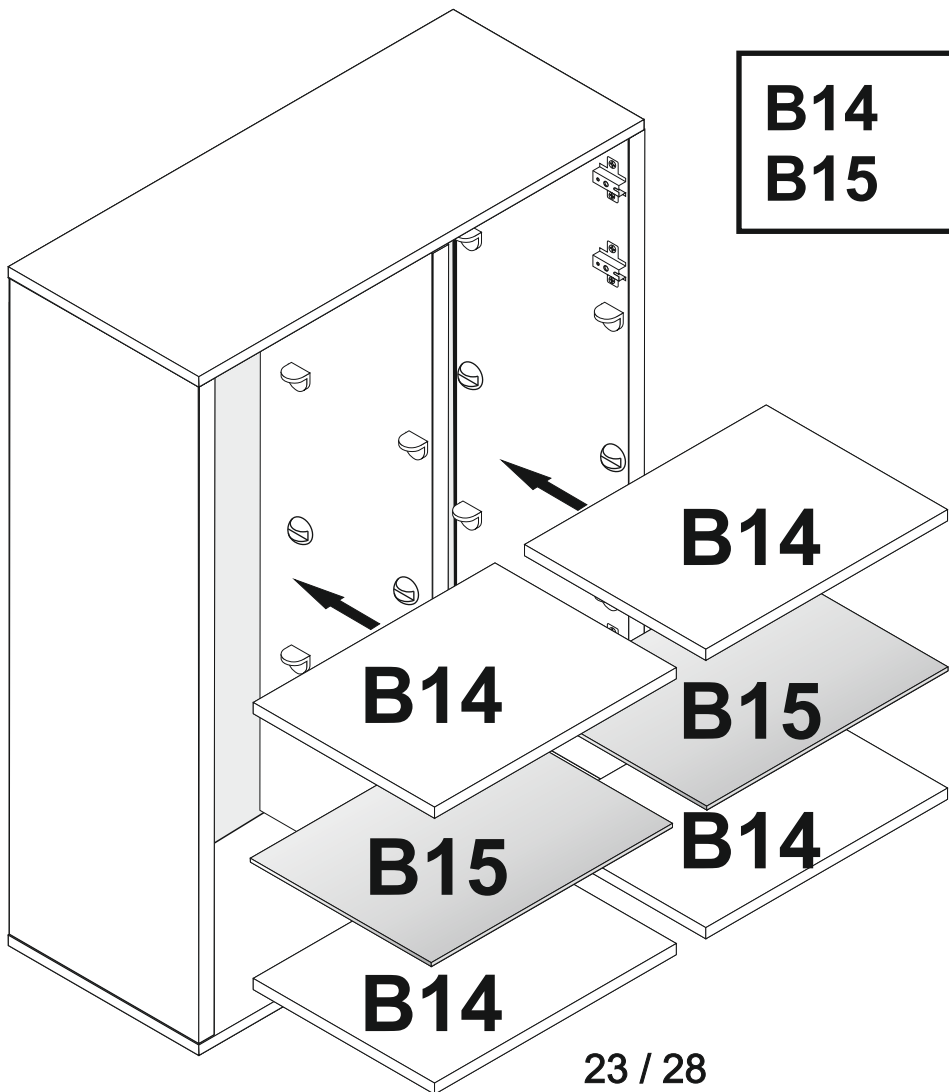
VI



VII

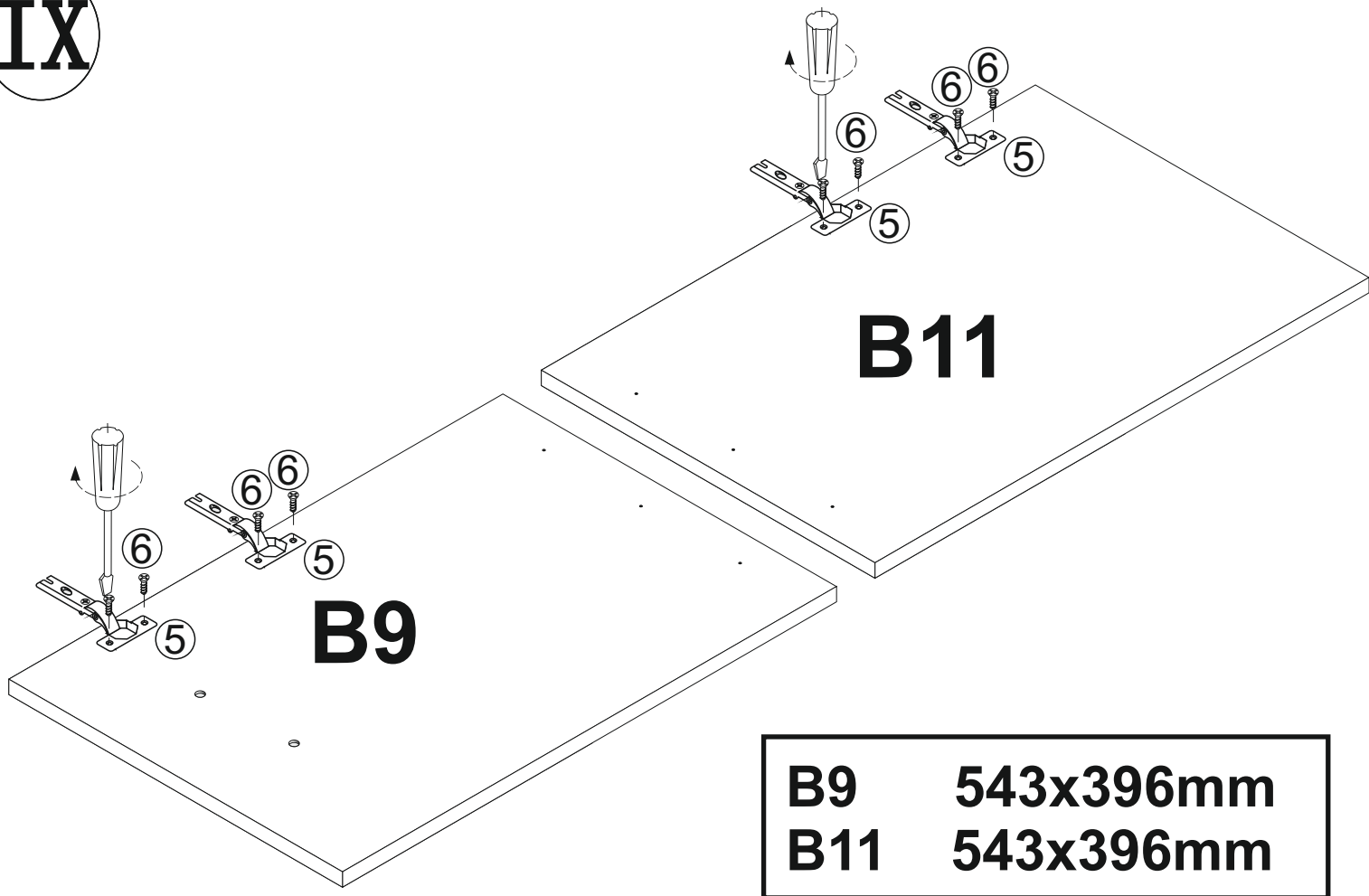


VIII

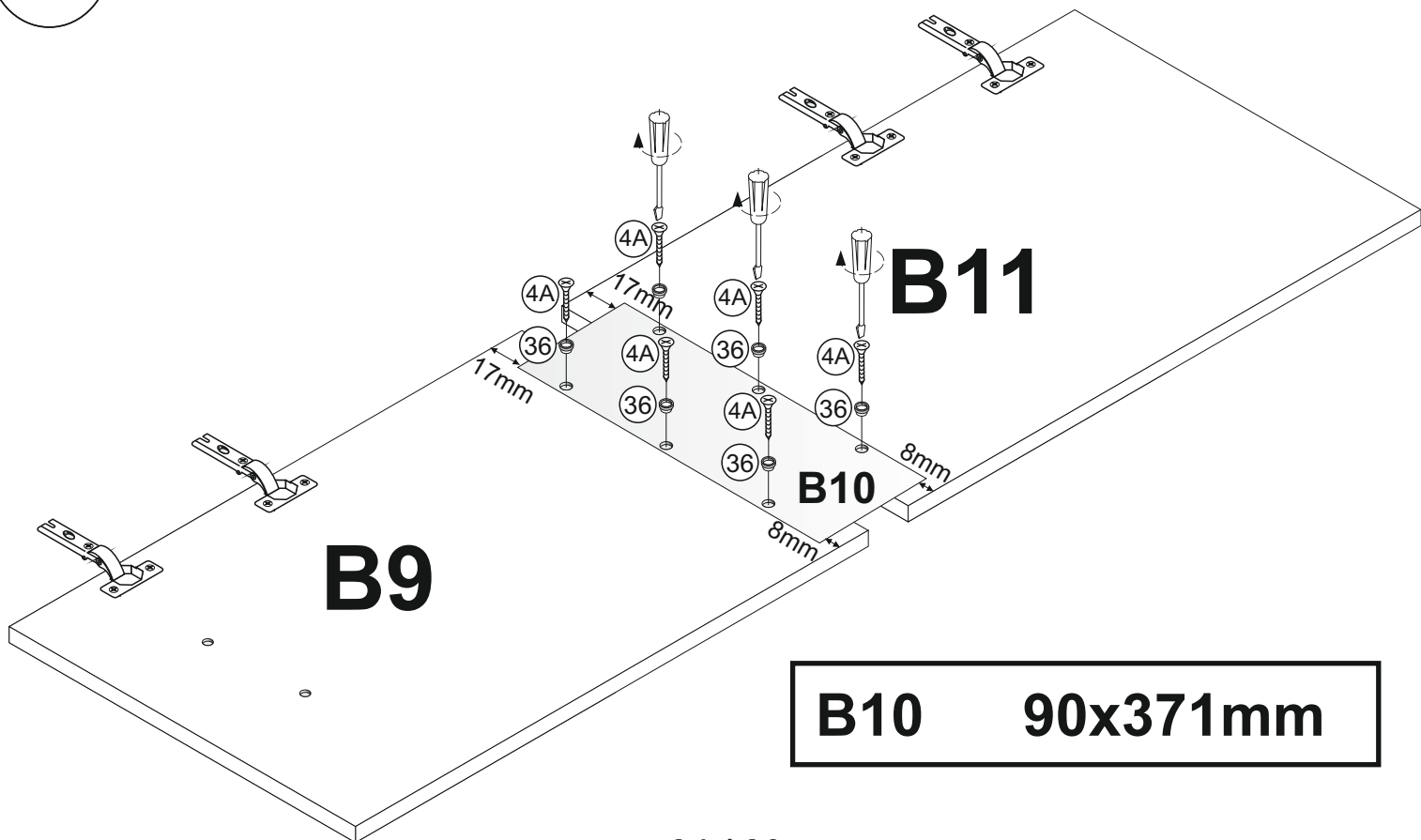


B14	375x280mm
B15	368x280mm

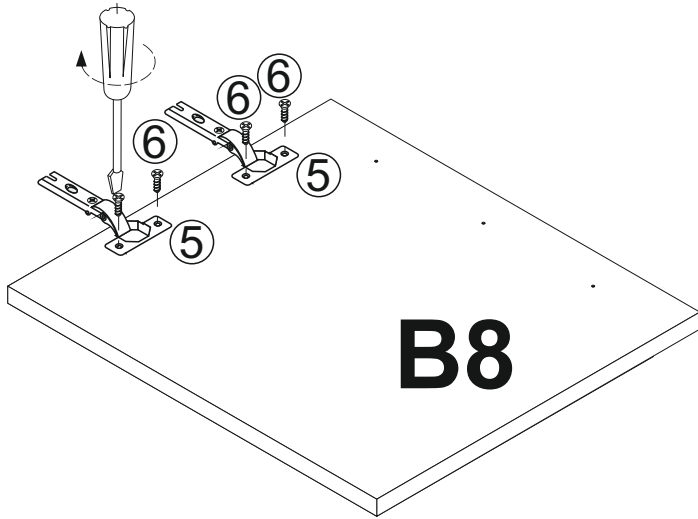
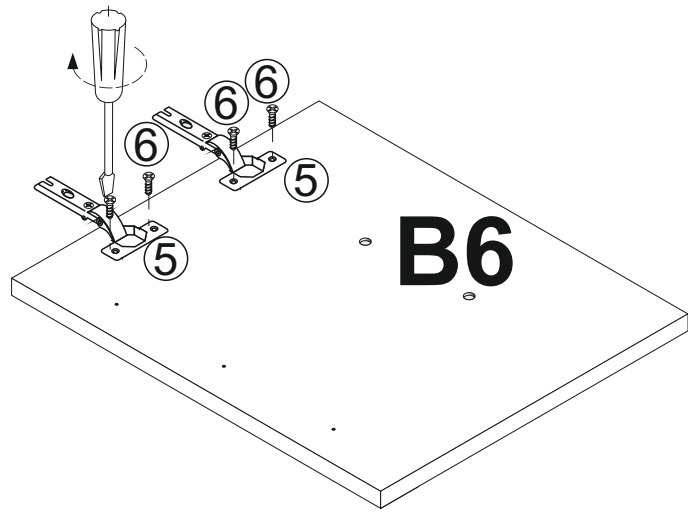
IX



X

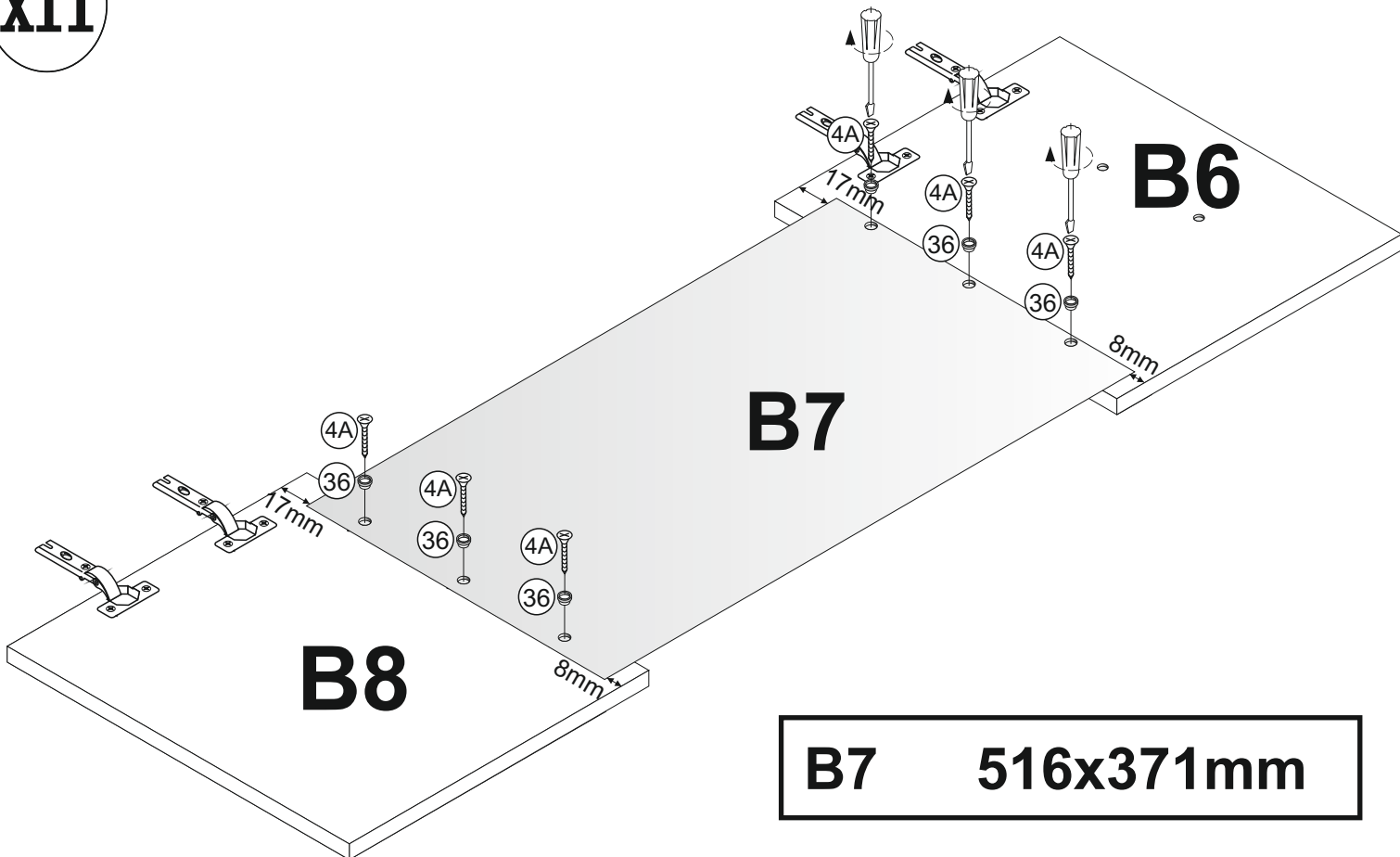


XI

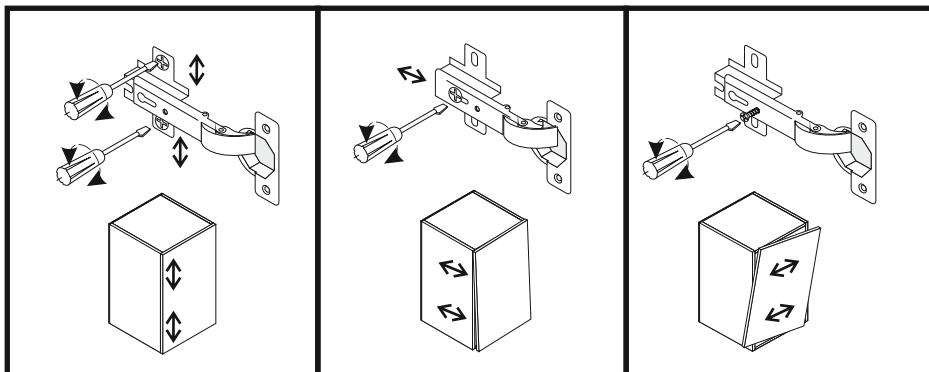
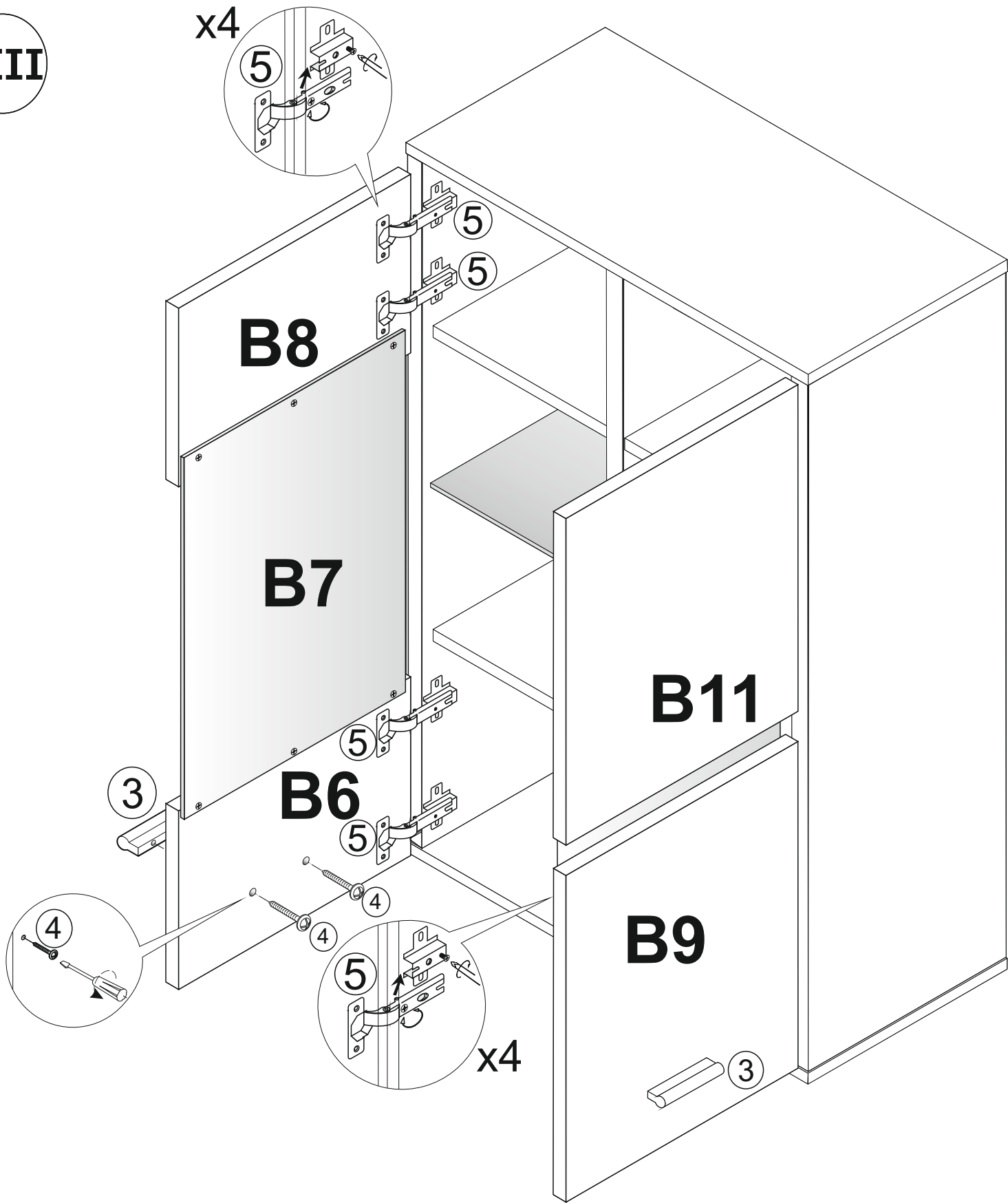


B6	320x396mm
B8	320x396mm

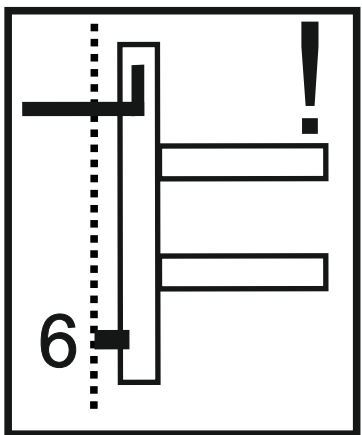
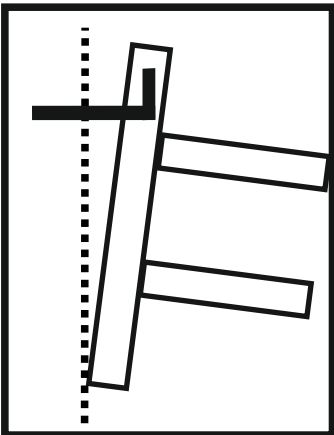
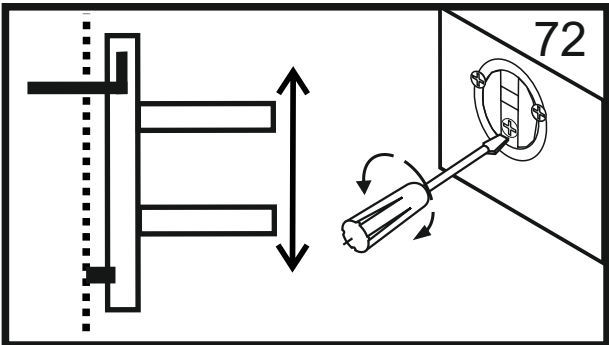
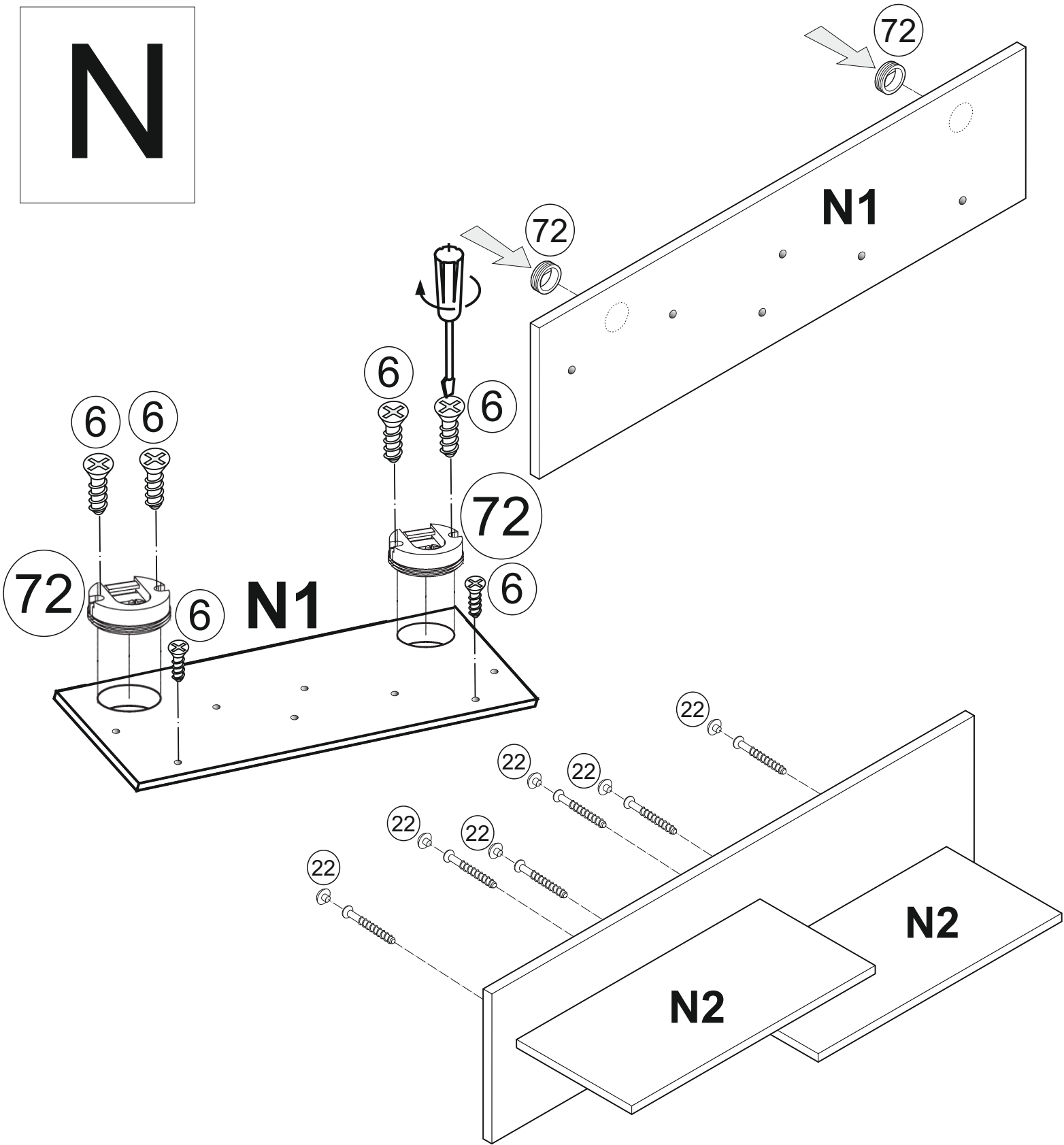
XII

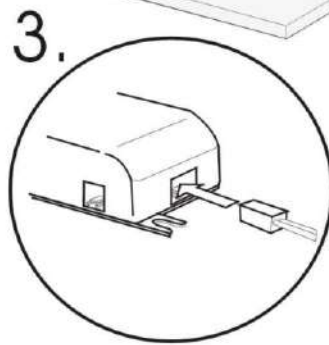
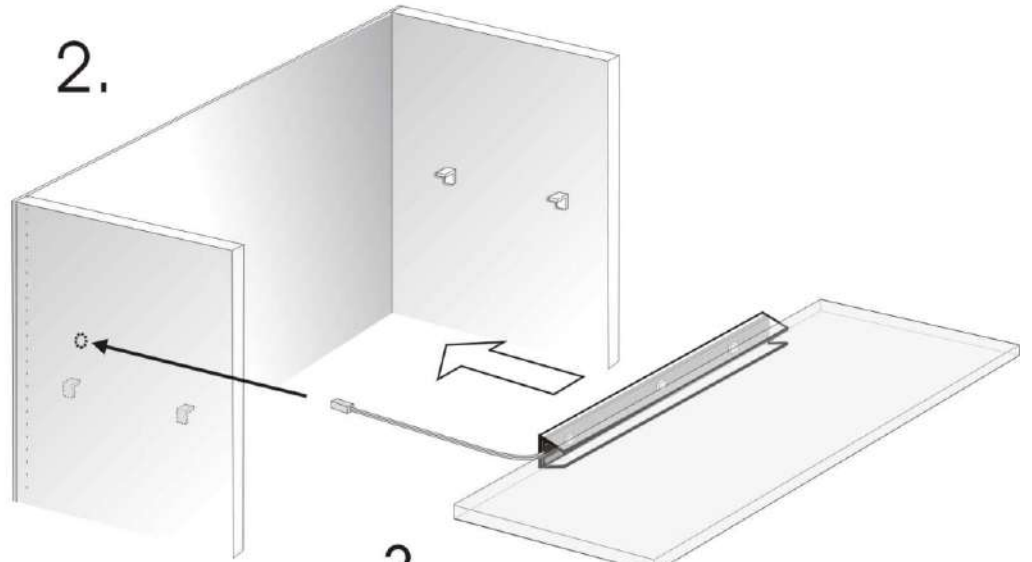
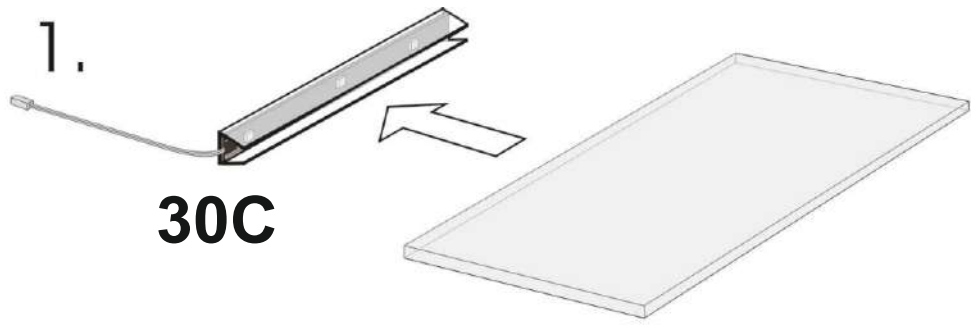


B7	516x371mm
-----------	------------------



N





4.

30A

3.

30B

