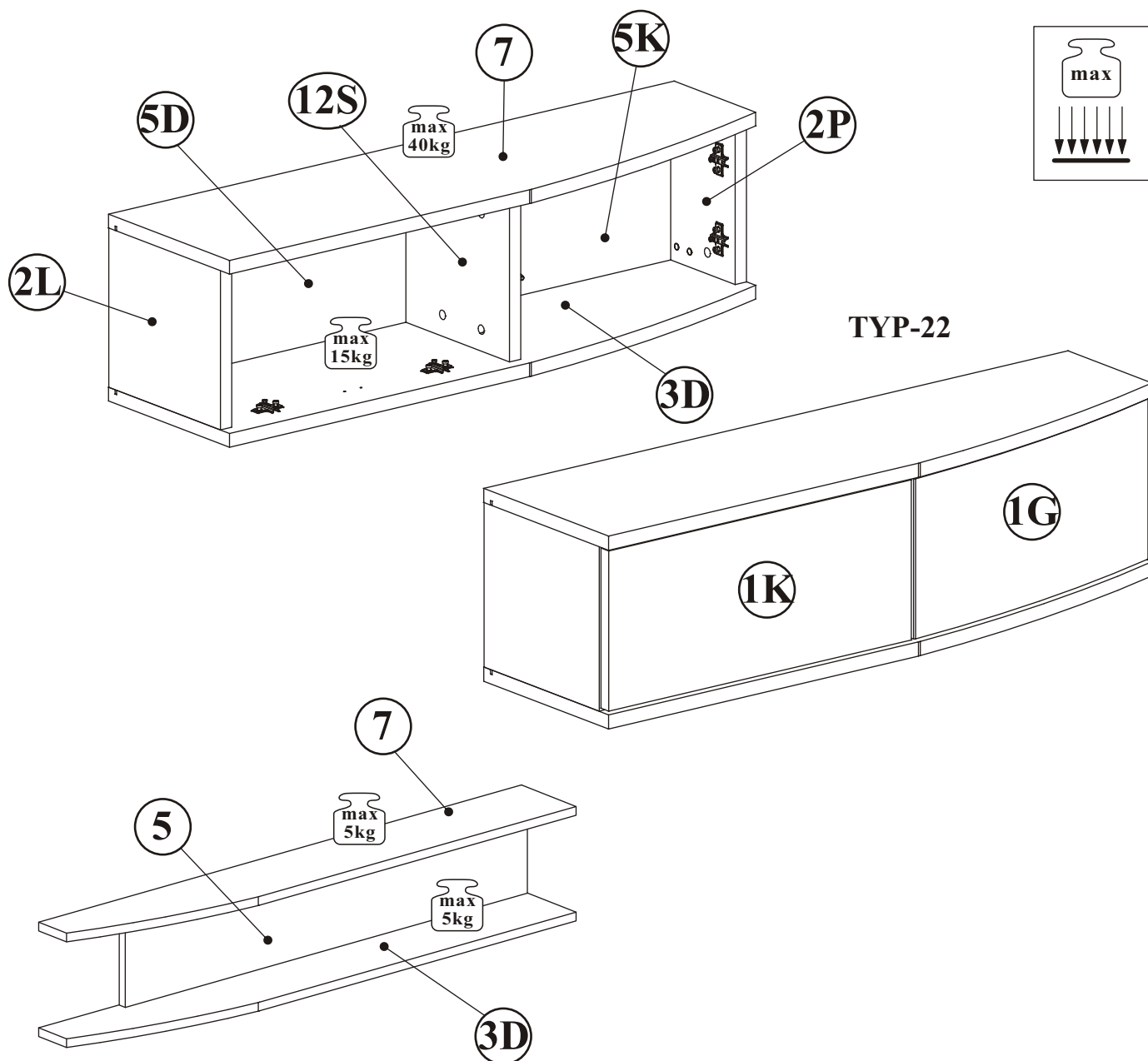
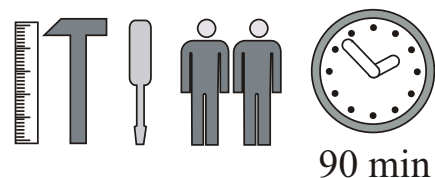


# MANHATAN TYP-22 / 70

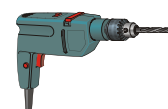


## TYP-22

NO	Dim.			Col-No	Qty
1G	523	249	18	6/6	1
1K	570	249	19	6/6	1
2L	256	277	22	6/6	1
2P	256	180	22	6/6	1
12S	256	257	22	6/6	1
3D	1101	300	22	6/6	1
5D	268	557	3	6/6	1
5K	268	510	3	6/6	1
7	1101	300	22	6/6	1



90 min

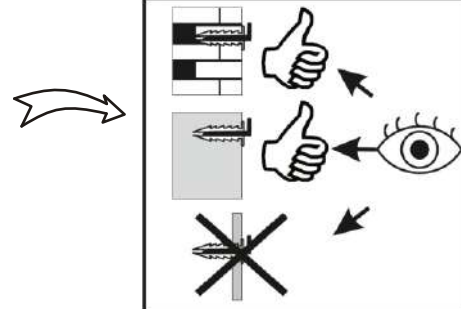
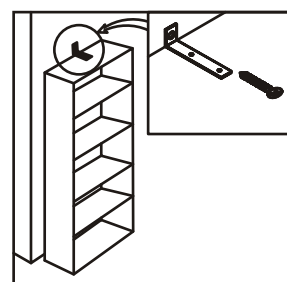
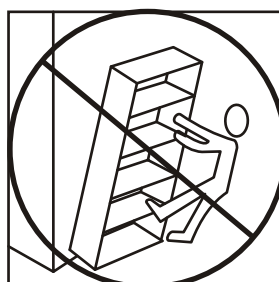
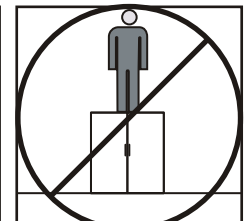
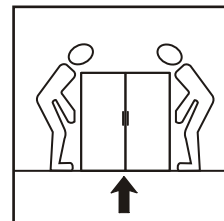
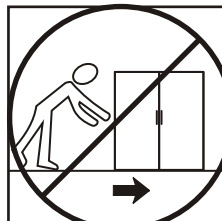
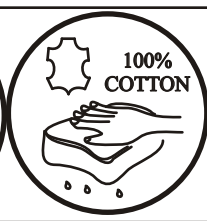
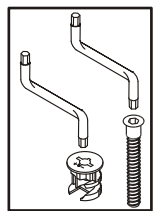
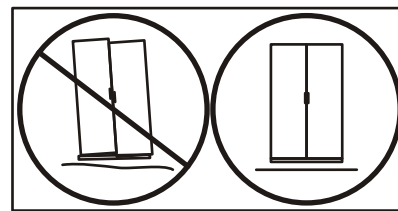
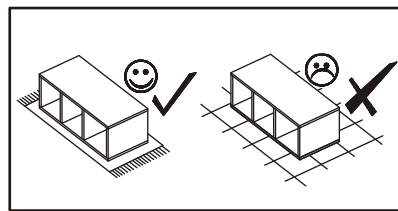
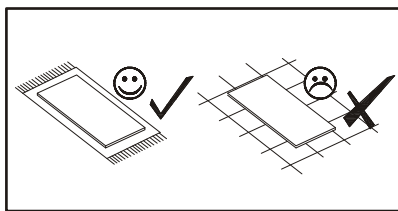
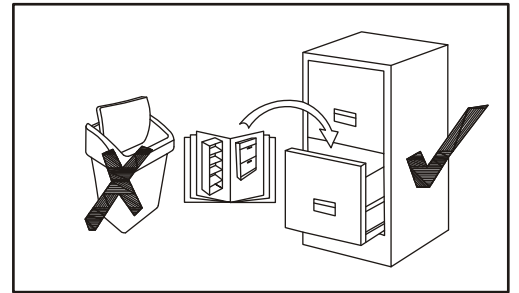
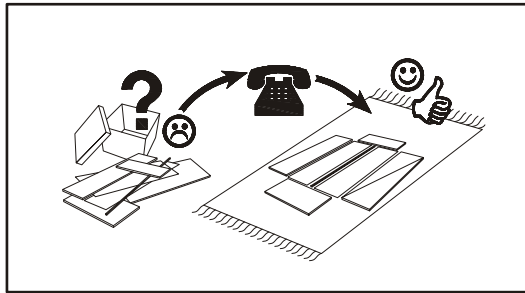
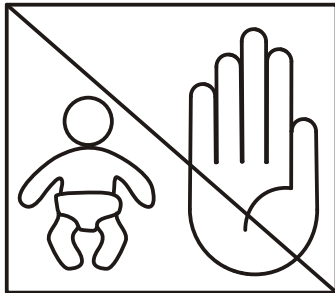
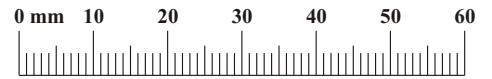


## TYP-70

NO	Dim.			Col-No	Qty
3D	1501	200	22	6/6	1
5	1250	244	22	6/6	1
7	1501	200	22	6/6	1

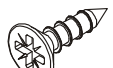
MANHATAN TYP-22/70

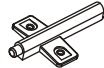
A1 x24 ø8x36	B4 x20	B16 x20 Ø15x16	G5 x20	E2 x2 H=0	E21 x2 Ø35 H=0
ZXL x1	ZXP x2	UP13 x2 UPØ3x16	G16 x2	E4 x2 H=2	E25 x2 Ø35 H=16
D10 x14 USØ3,5x13	S1 x10	T3 x2	BO1 x1	G2 x1	Z5 x6 Ø10
Z2 x4 Ø5	KR3 x6 Ø10	ZM1 x3	D28 x6 ESØ6x9,5		





MANHATAN TYP-22/70


1

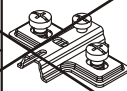
D10	
x2	USØ3,5x13

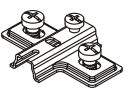
T3	
x1	

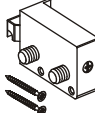
B16	
x10	Ø15x16

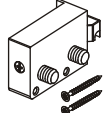
A1	
x12	ø8x36

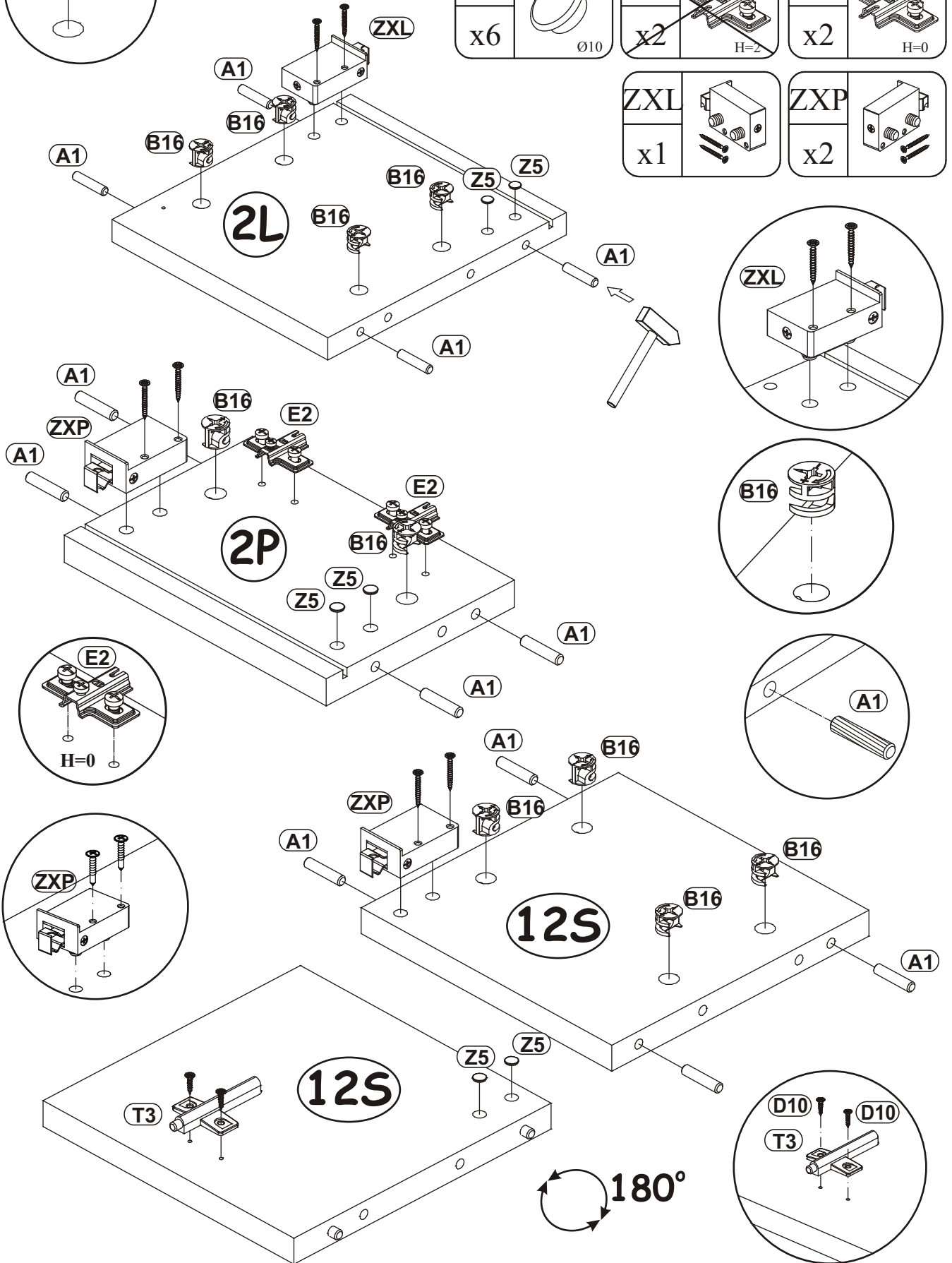
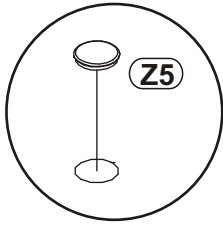
Z5	
x6	Ø10

<del>E4</del>	<del></del>
<del>x2</del>	<del>H=2</del>

E2	
x2	H=0

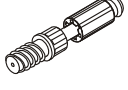
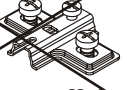
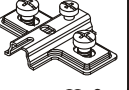

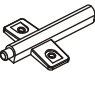

ZXL	
x1	

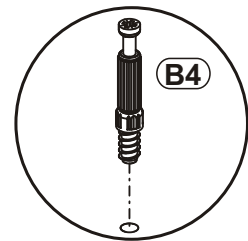
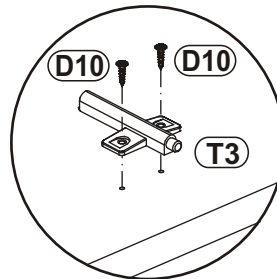
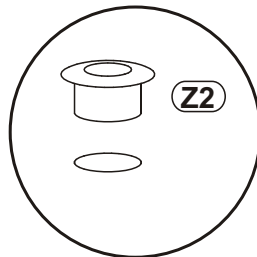
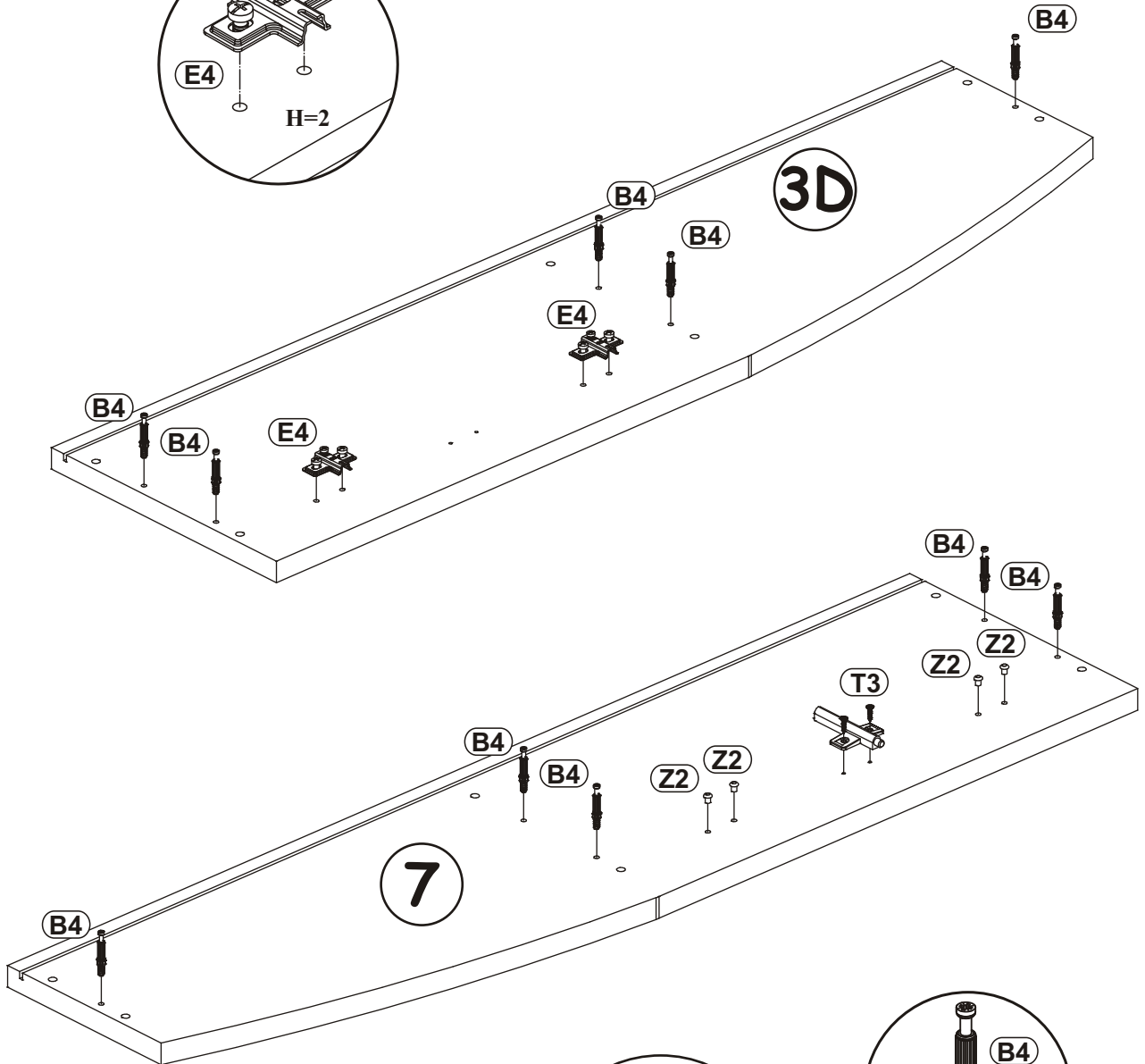
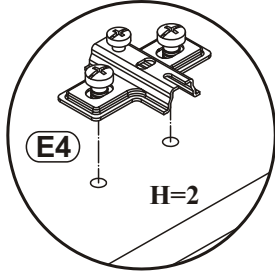
ZXP	
x2	



180°

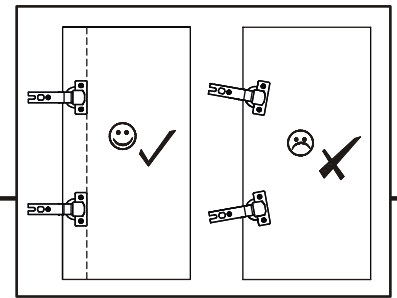
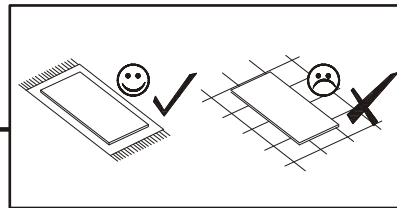
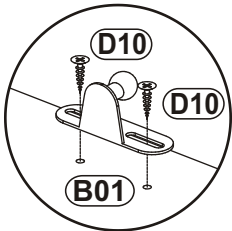
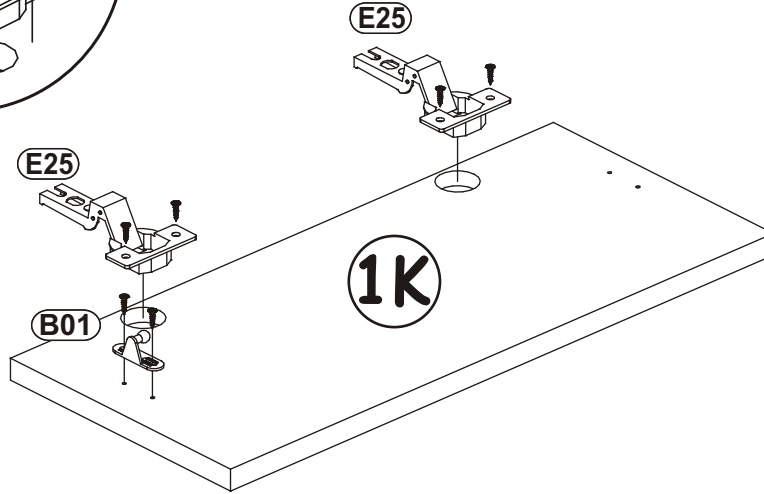
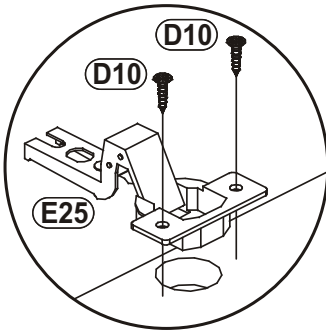
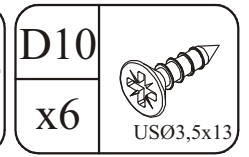
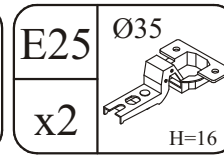
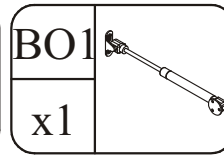
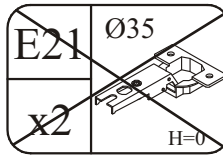
2

B4 x10		E2 x2 H=0		E4 x2 H=2	
Z2 x4		T3 x1		D10 x2	 USØ3,5x13

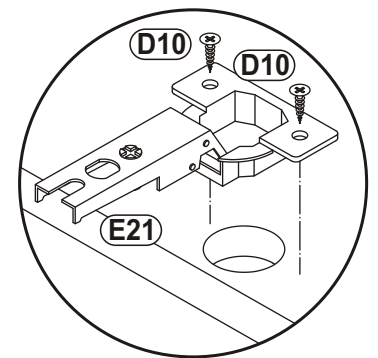
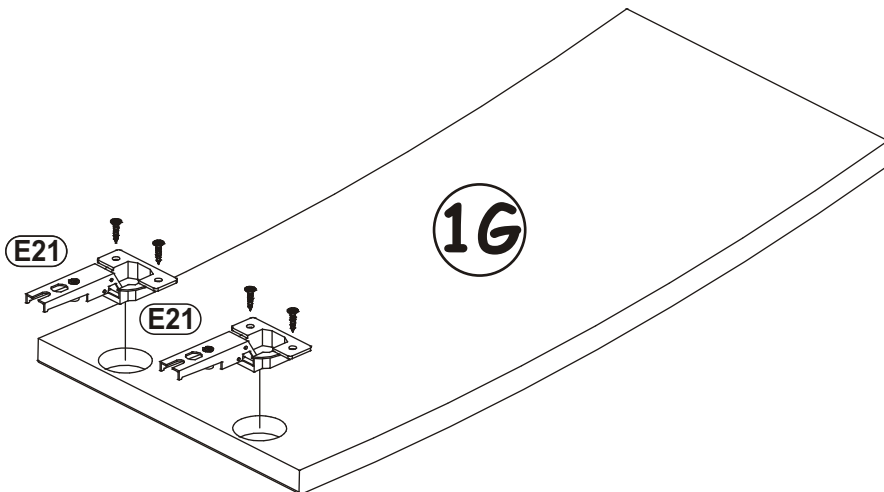
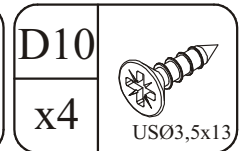
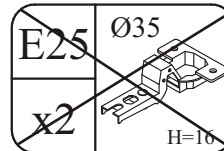
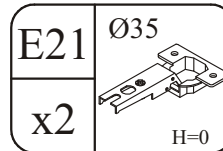


MANHATAN TYP-22/70

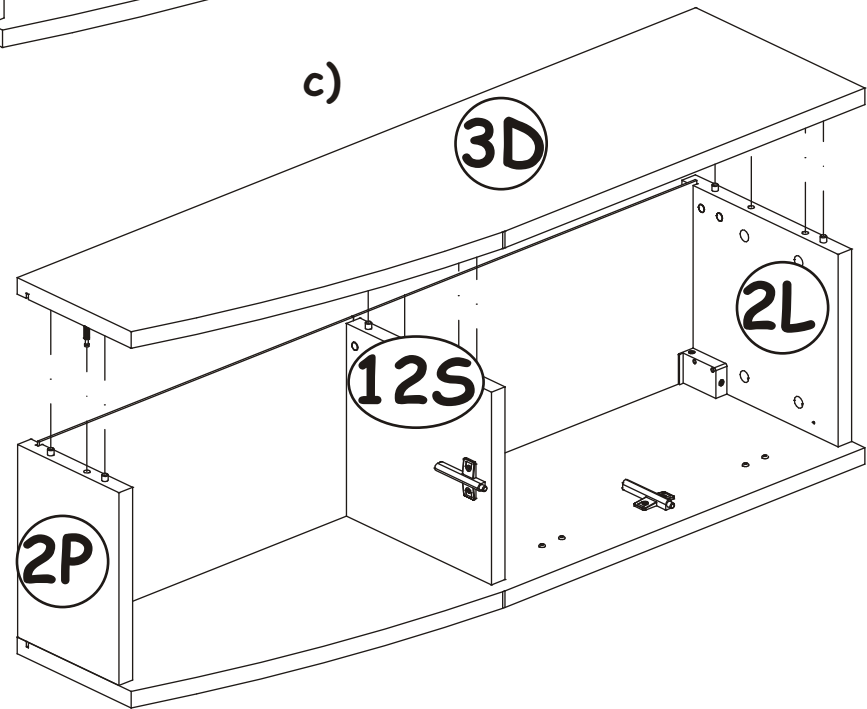
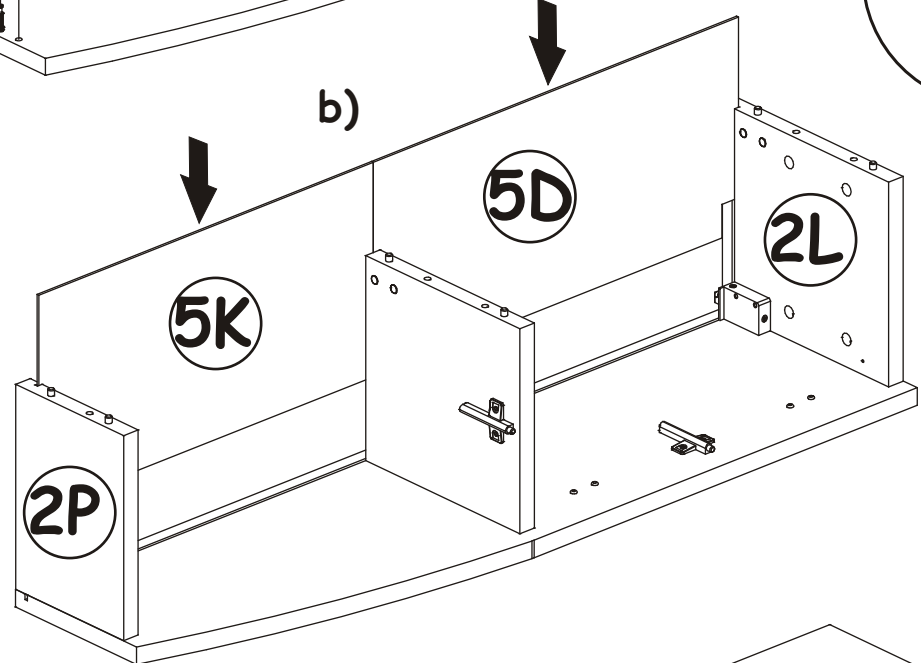
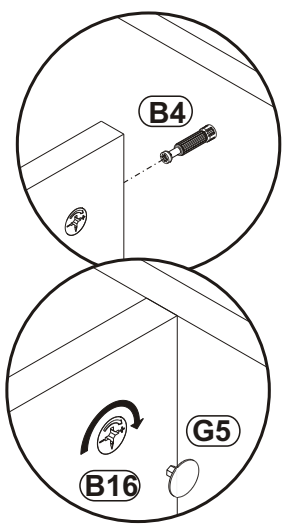
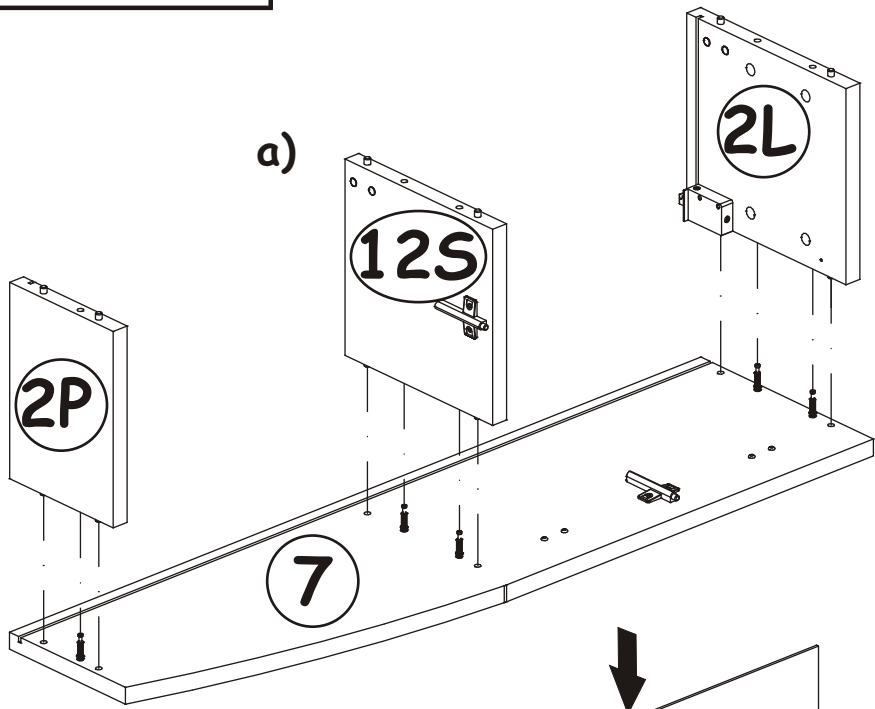
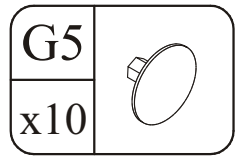
3



4

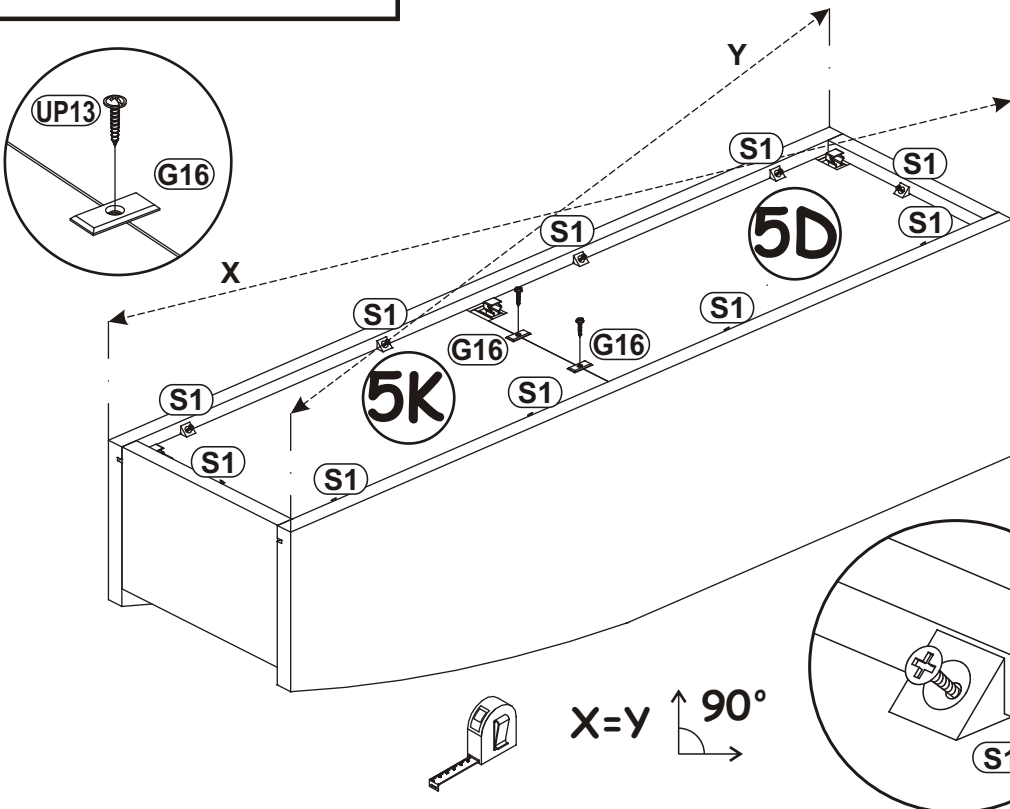



5

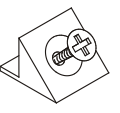


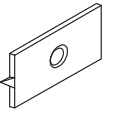
MANHATAN TYP-22/70

6




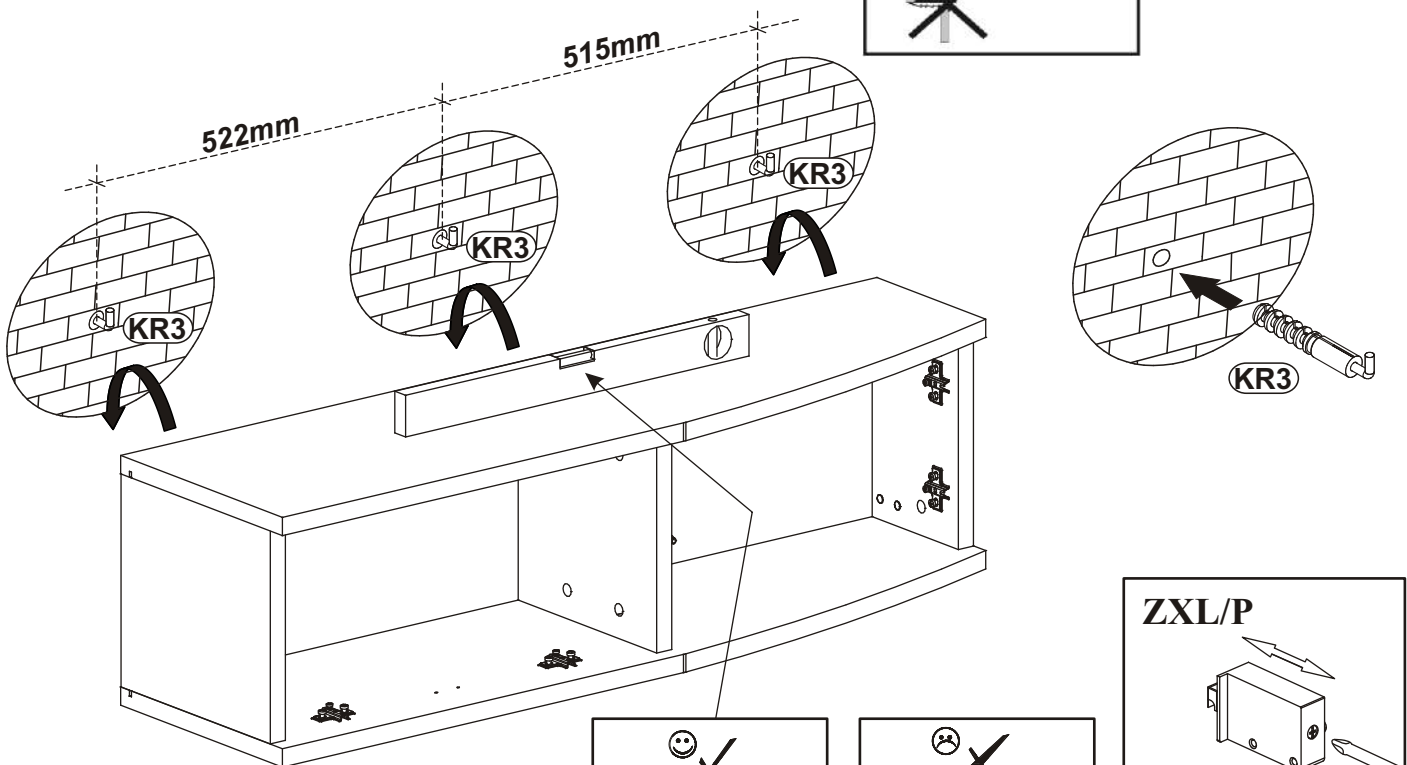
UP13	
x2	UPØ3x16

S1	
x10	

G16	
x2	

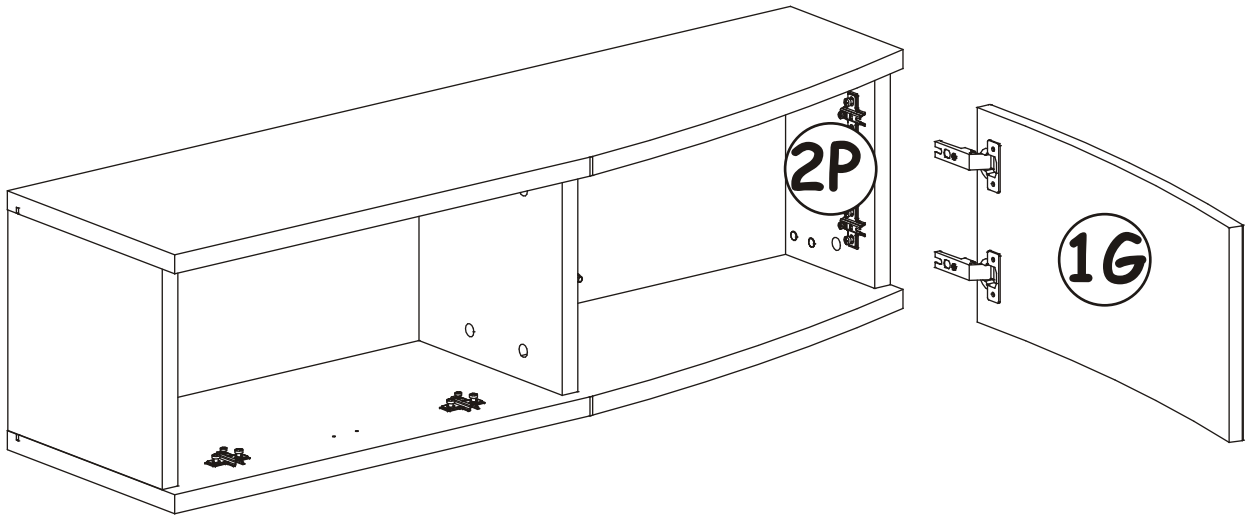
7

KR3	
x3	Ø10

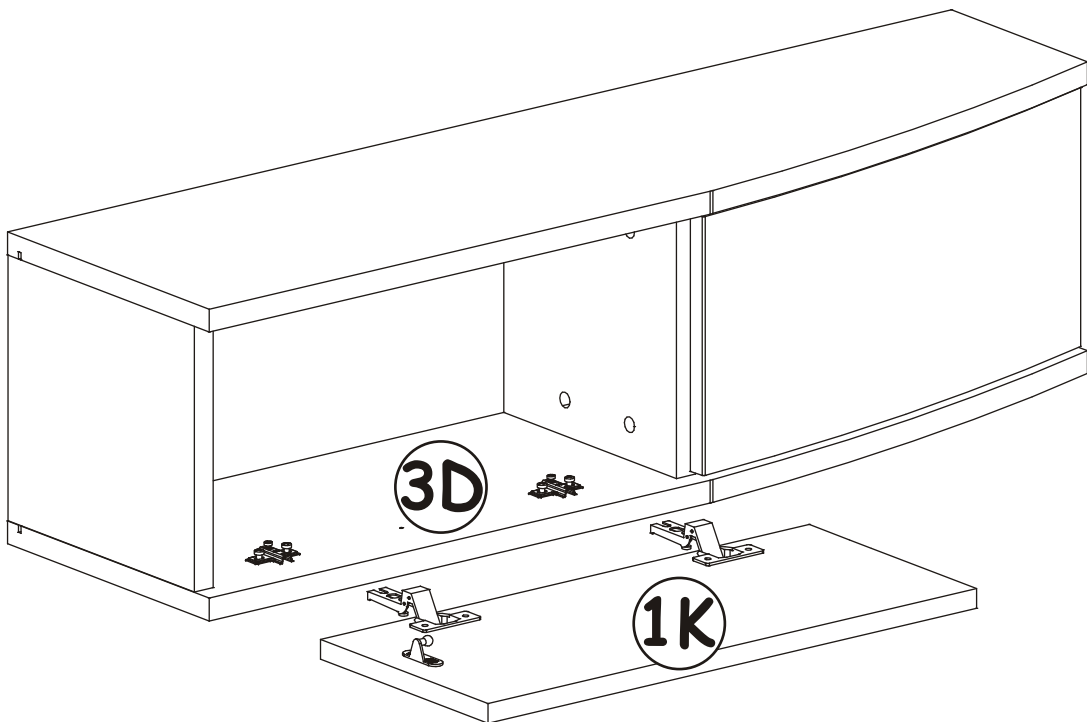
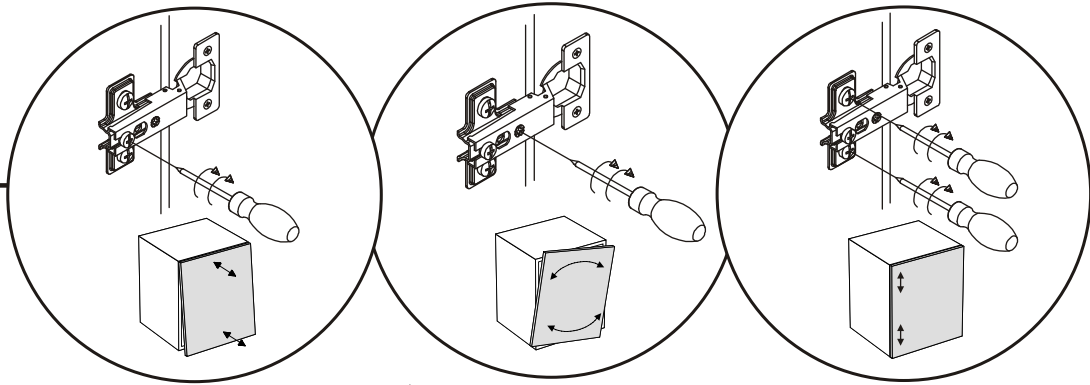


ZXL/P

8

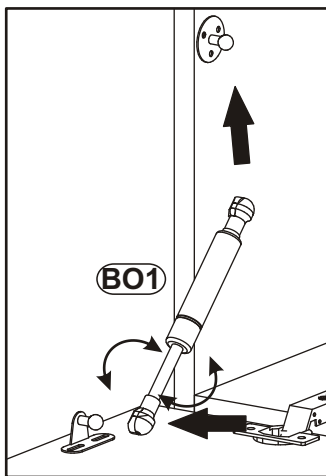
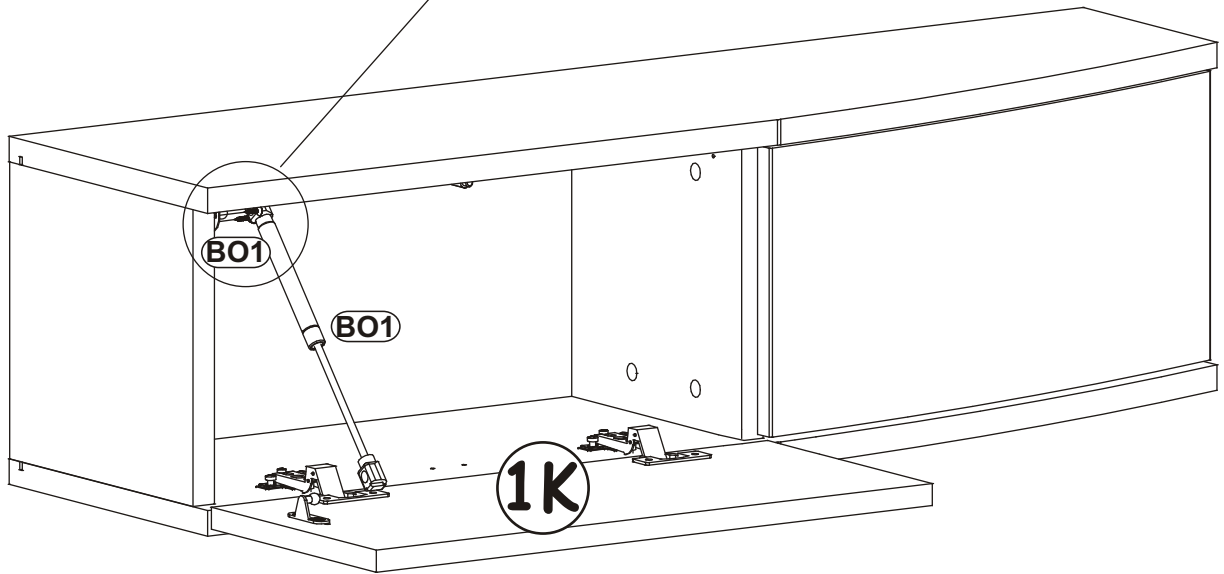
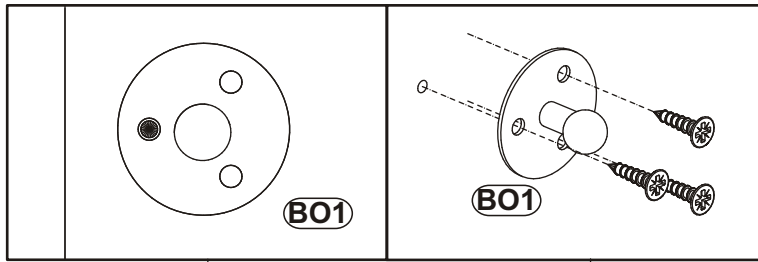
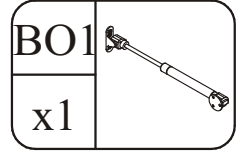


9



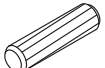



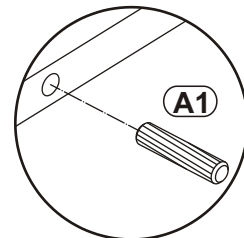
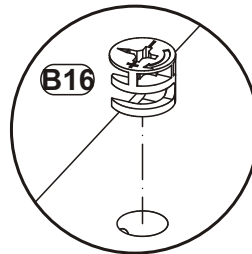
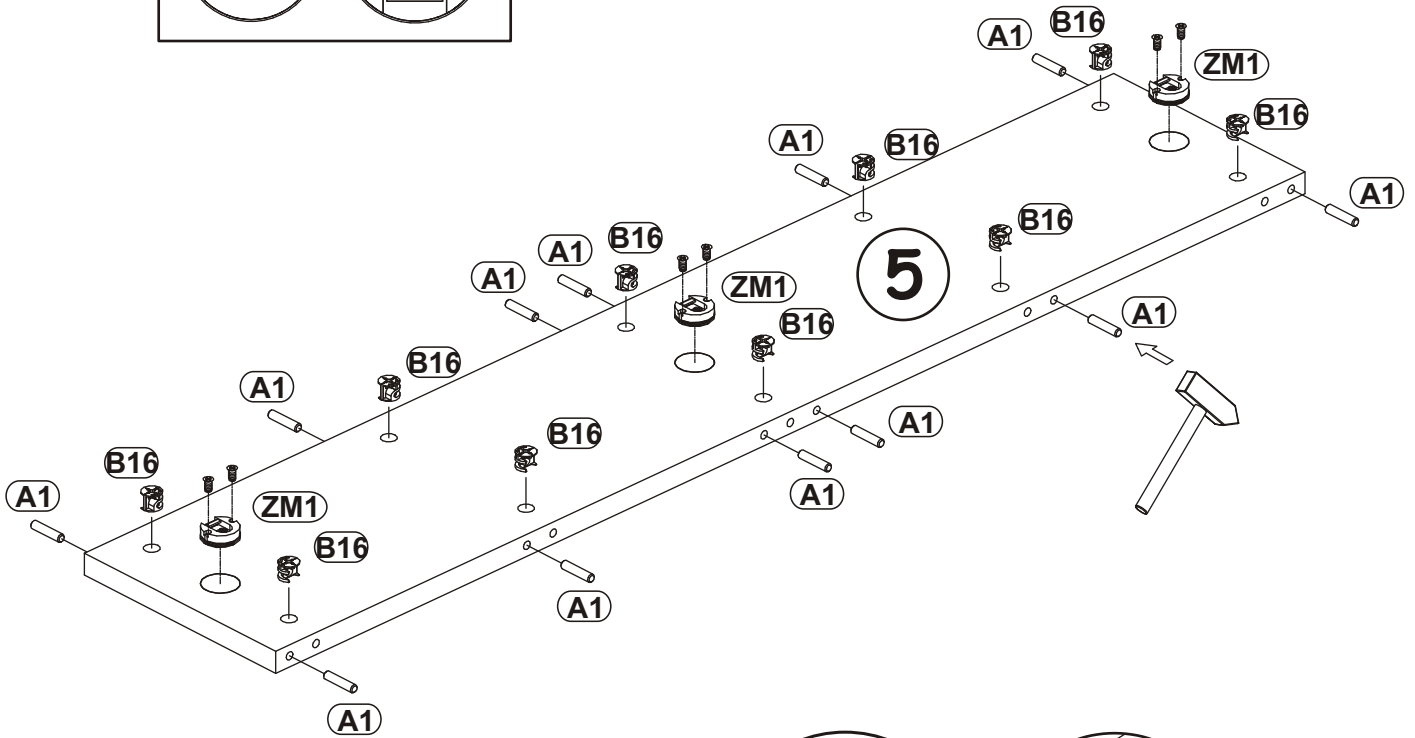
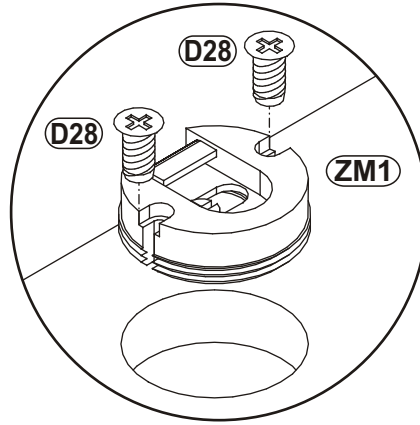
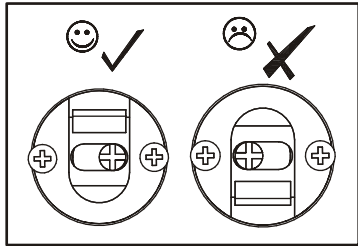
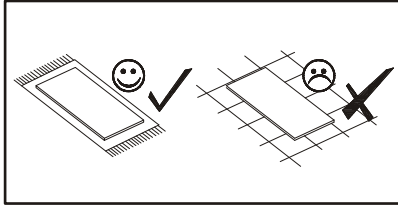


10

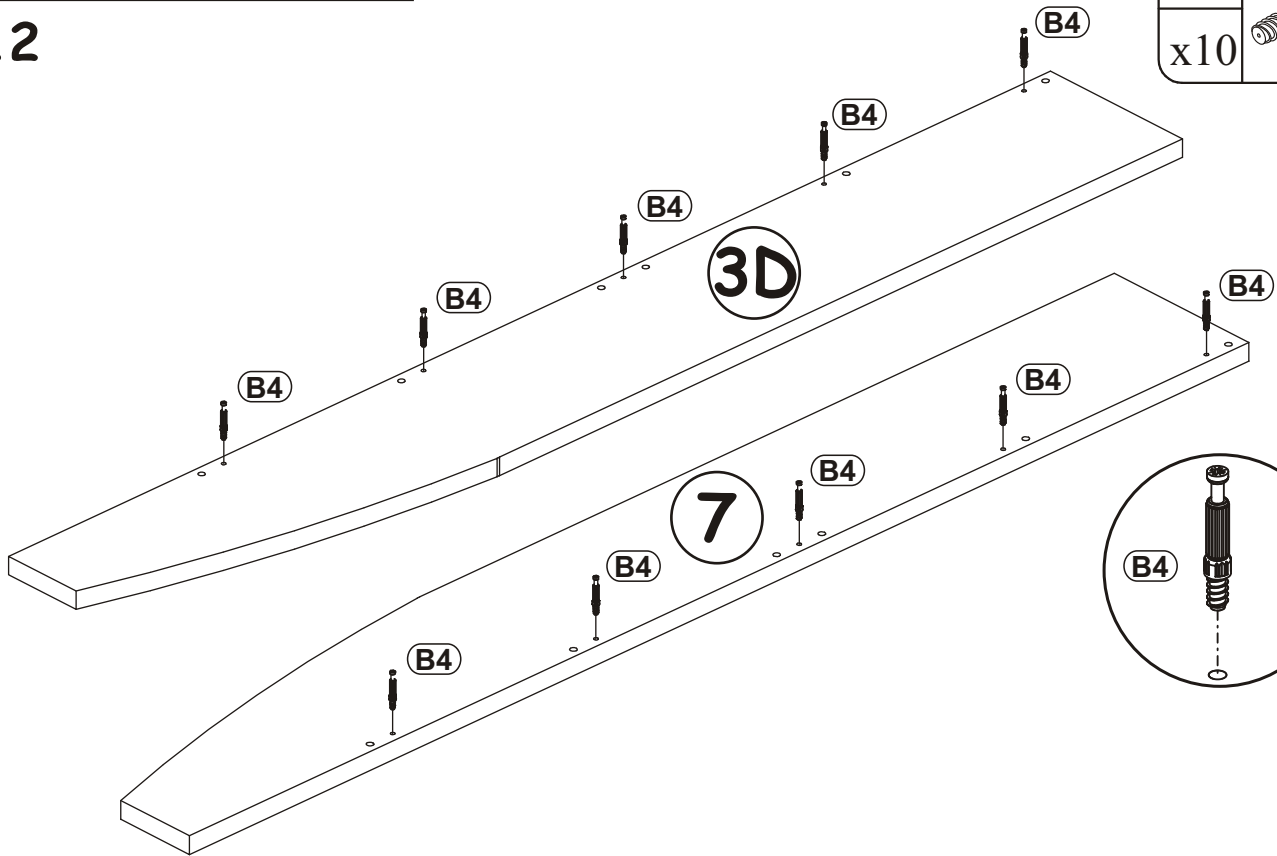
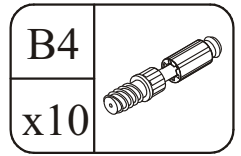


11

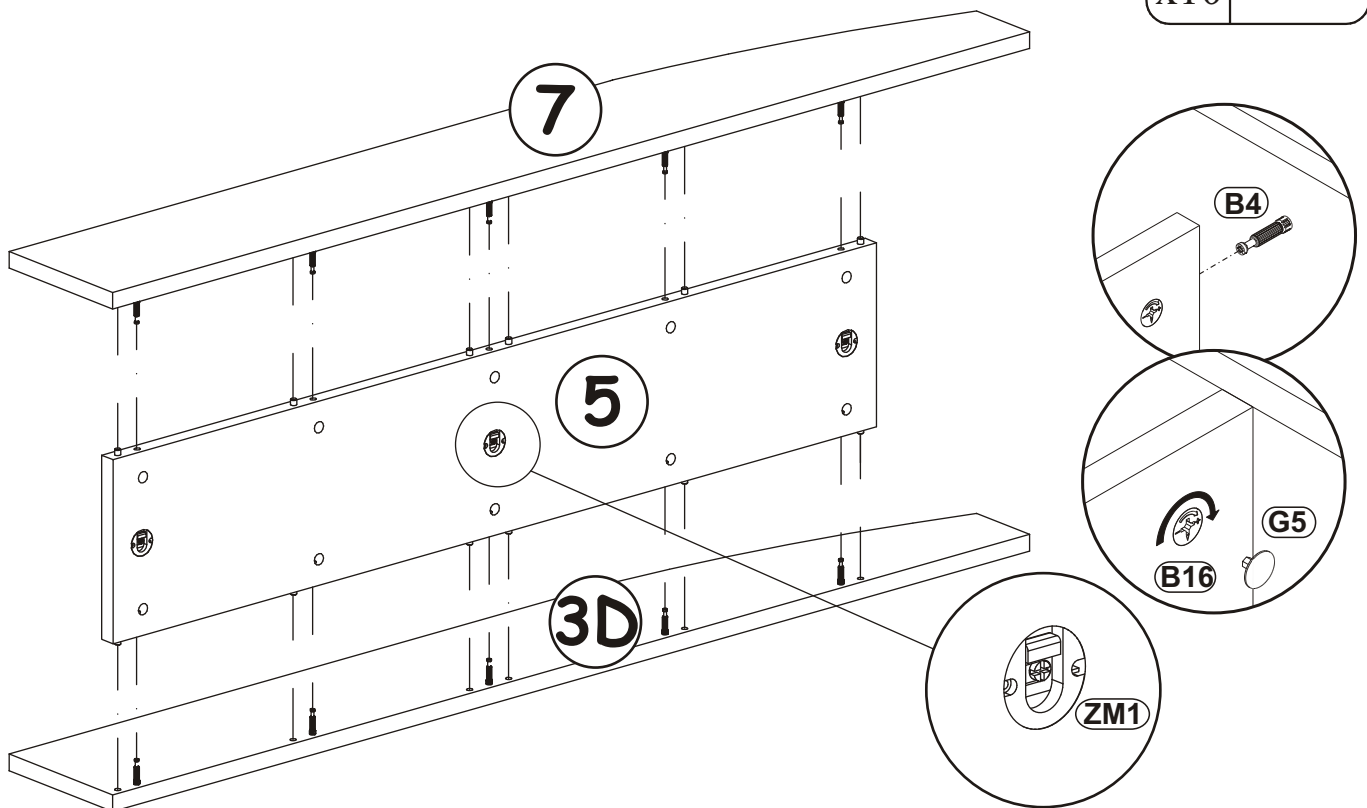
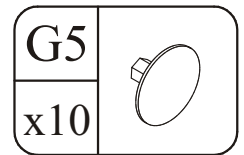
D28		B16		A1	
x6	ESØ6x9,5	x10	Ø15x16	x8	ø8x36
				ZM1	
				x3	



12



13



14

