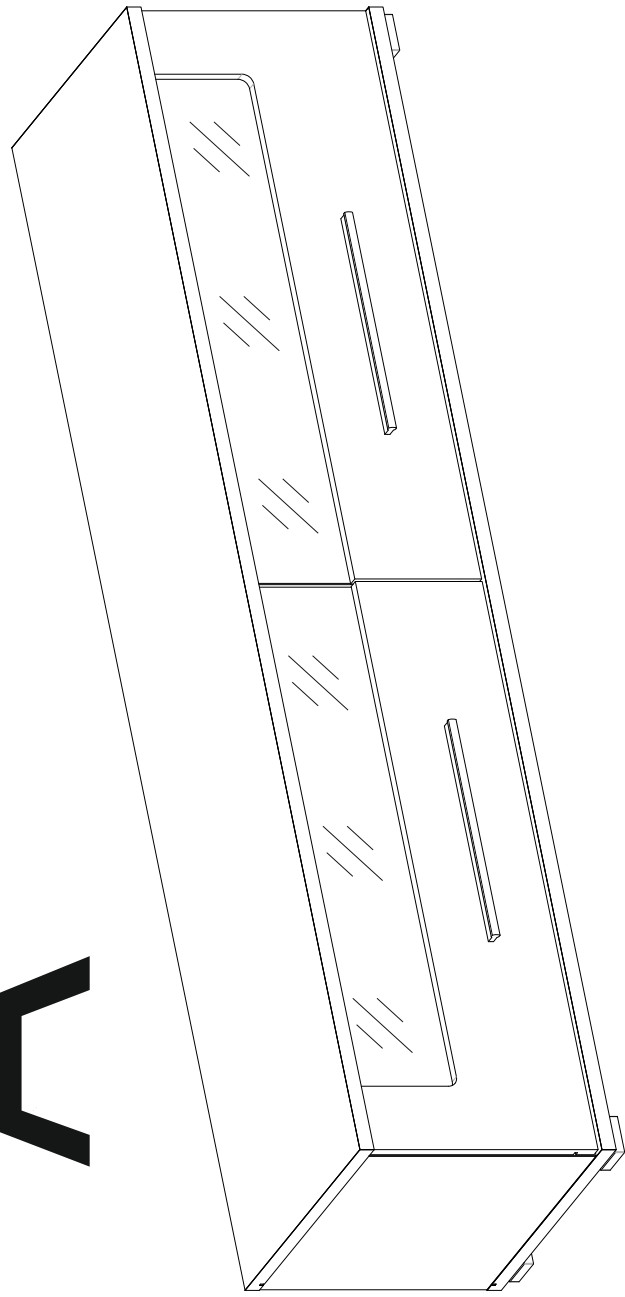
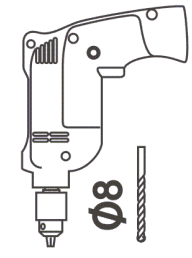
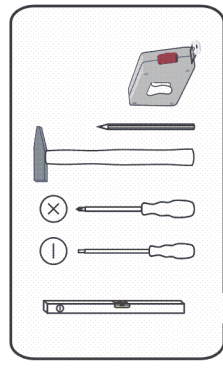
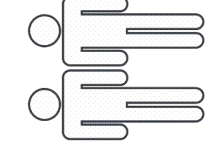
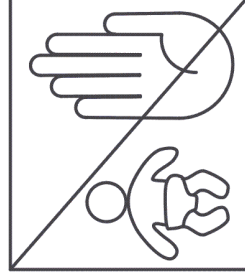
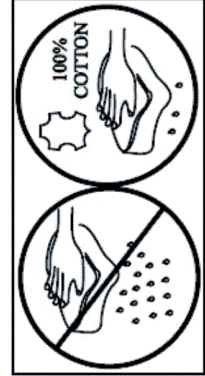
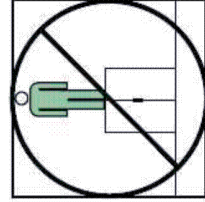
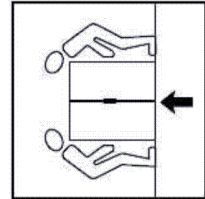
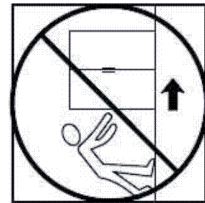
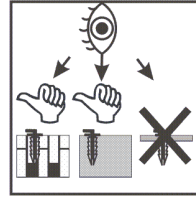
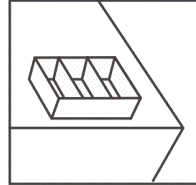
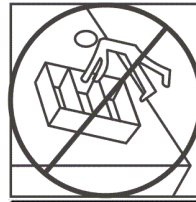
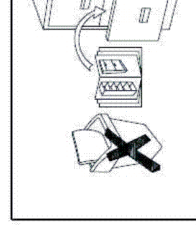
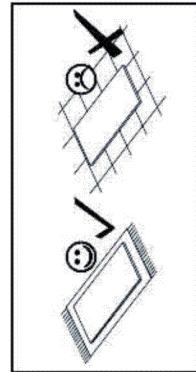


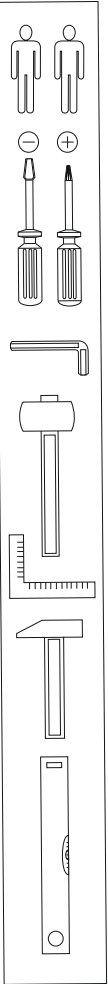
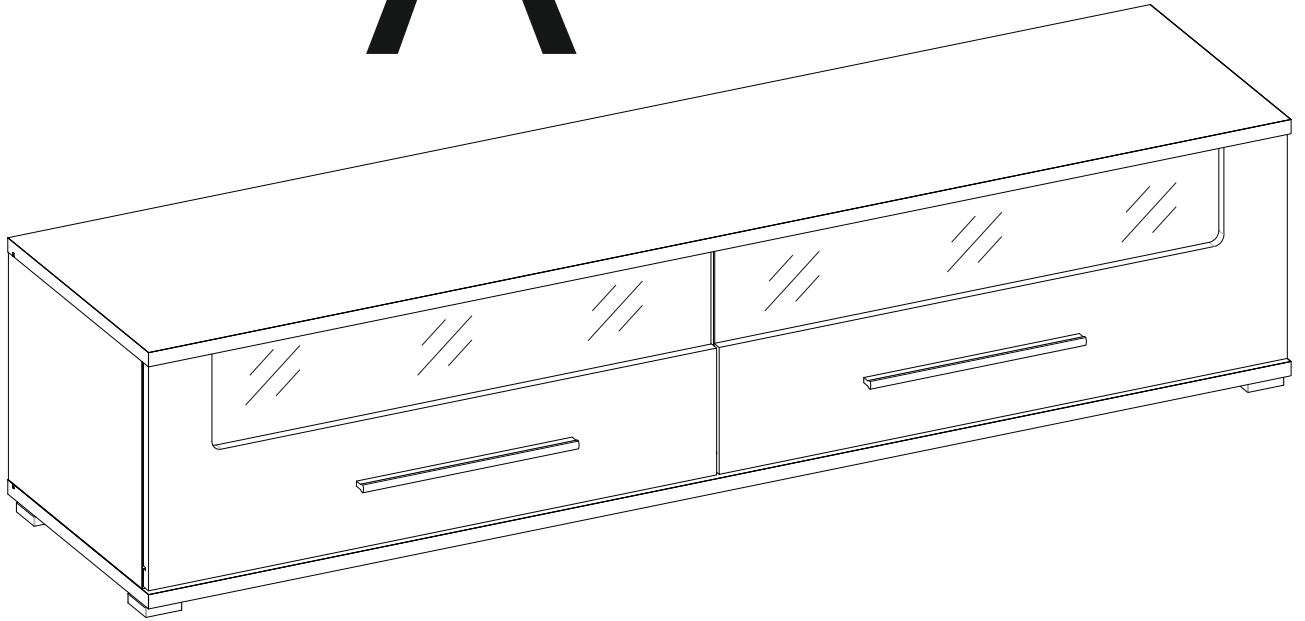
A

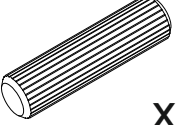
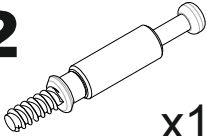
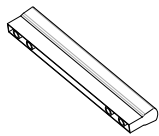
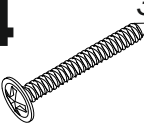
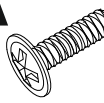
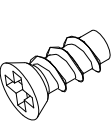


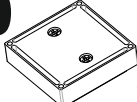
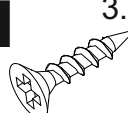



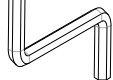

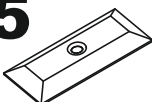
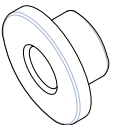
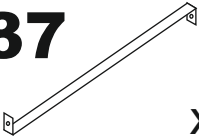
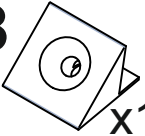

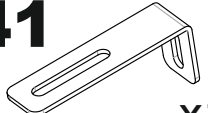
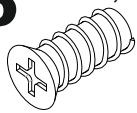
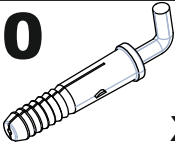
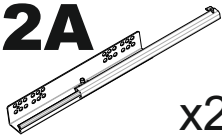
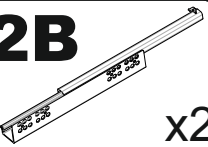


90 min

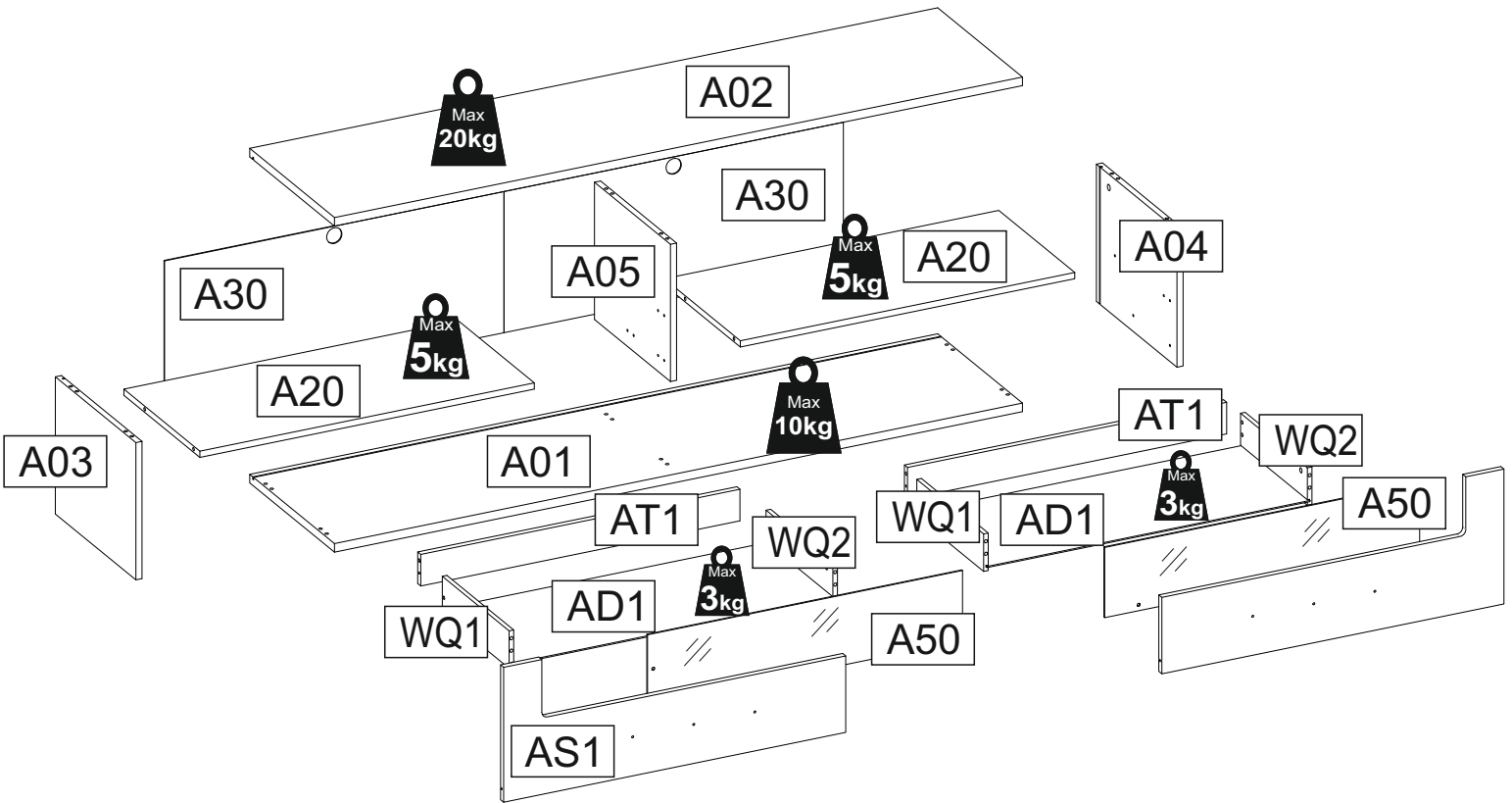


A

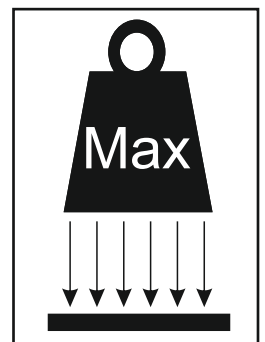
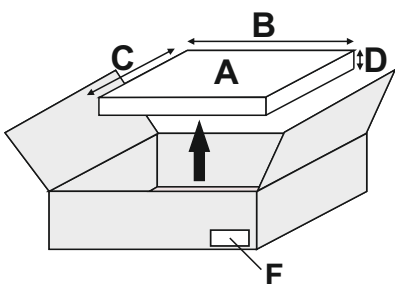


- | | | | | |
|--------------------------------------------------------------------------------------------------------|----------------------------------------------------------------------------------------------------------|---------------------------------------------------------------------------------------------------------|-----------------------------------------------------------------------------------------------------------|-----------------------------------------------------------------------------------------------------------|
| 1

x20 | 2

x18 | 3

x2 | 4

x6 | 4A

x11 |
| 6

x10 | 9

x14 | 9A

x14 | 10

x5 | 11

x4 |
| 22

x10 | 22A

x10 | 24

x4 | 26

x1 | 30

x1 |
| 35

x3 | 36

x6 | 37

x2 | 38

x18 | 39

x37 |
| 41

x1 | 45

x8 | 80

x1 | 92A

x2 | 92B

x2 |

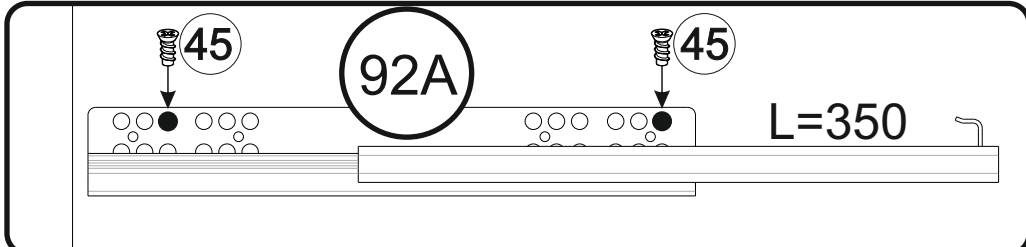
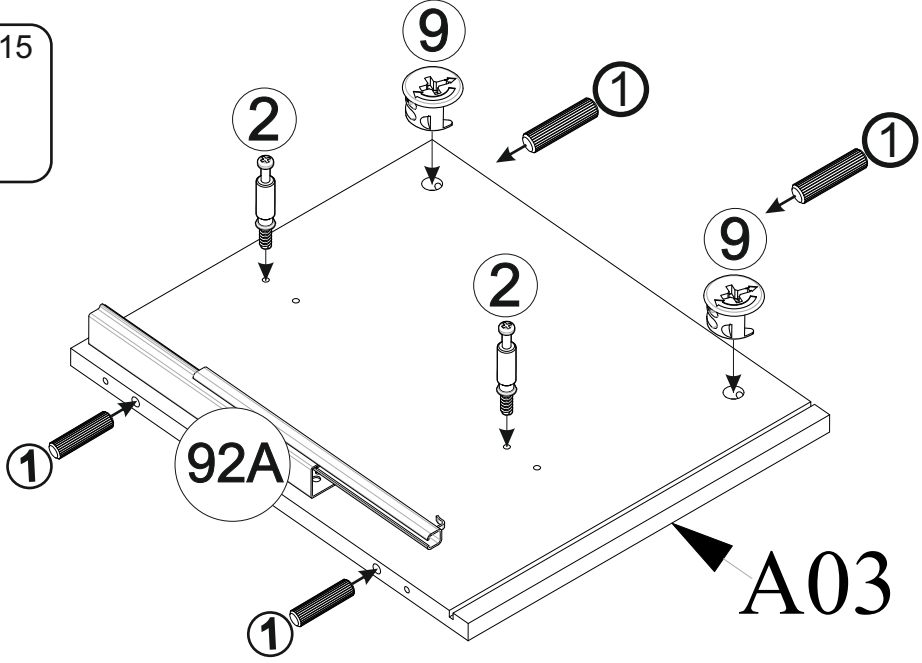
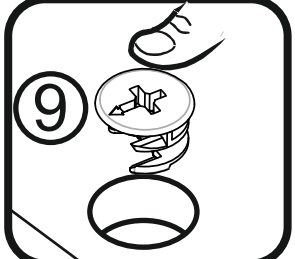
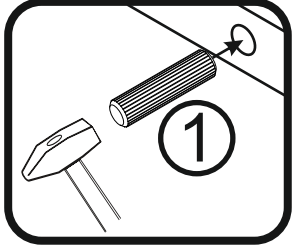
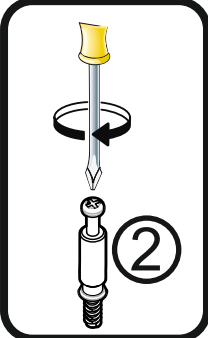
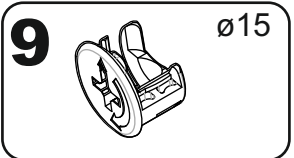
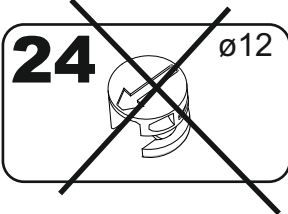
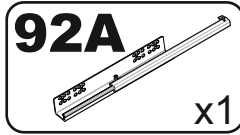
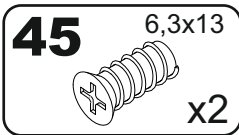
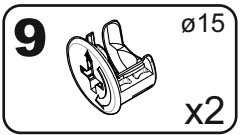
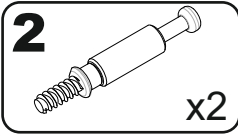
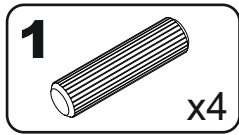




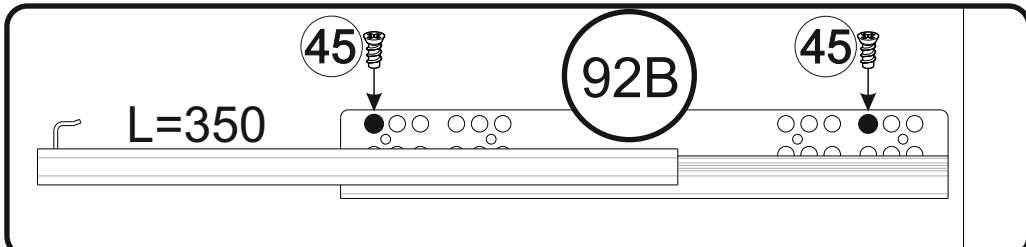
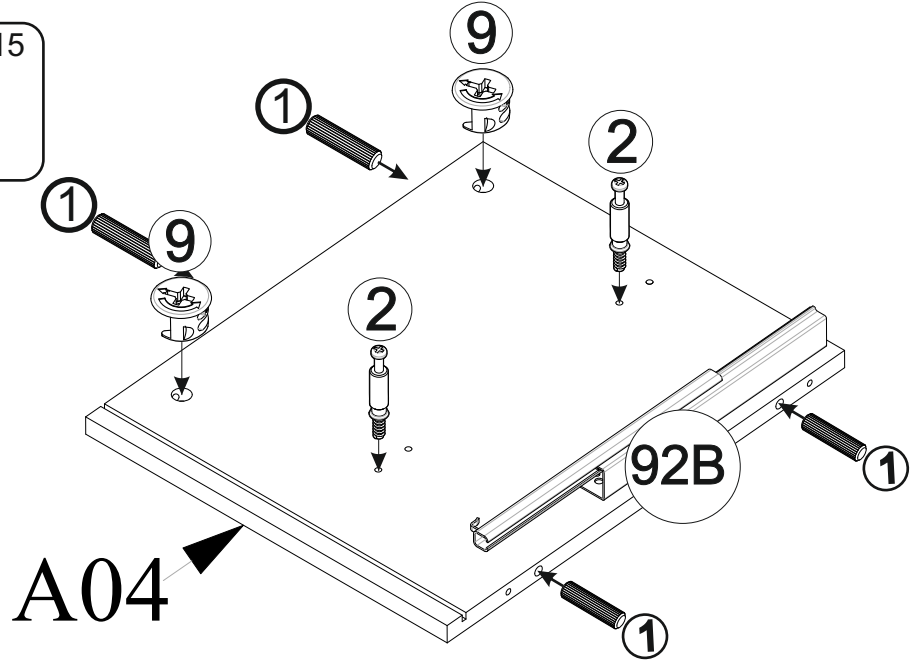
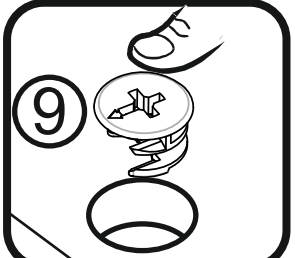
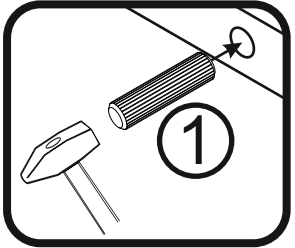
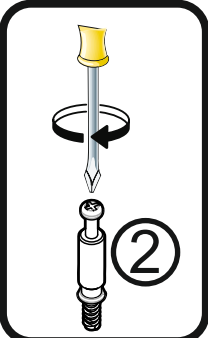
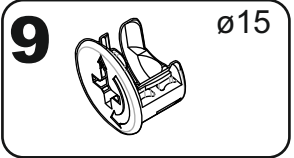
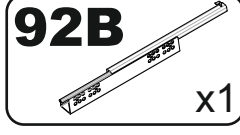
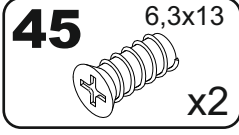
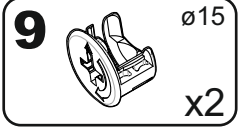
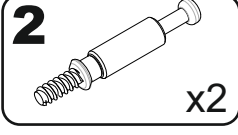
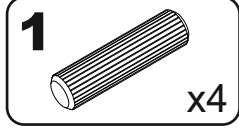
A	B (mm)	C (mm)	D (mm)	E	F
A01	1802	444	22	1	2 2
A02	1802	444	22	1	2 2
A03	352	422	16	1	1 2
A04	352	422	16	1	1 2
A05	352	398	16	1	1 2
A20	876	398	16	2	1 2
A30	362	889	3	2	2 2
A50	825	180	4	2	1 2
AD1	846	353	3	2	2 2
AS1	896	346	16	1	2 2
AS2	896	346	16	1	2 2
AT1	836	81	16	2	1 2
WQ1	350	96	12	2	1 2
WQ2	350	96	12	2	1 2



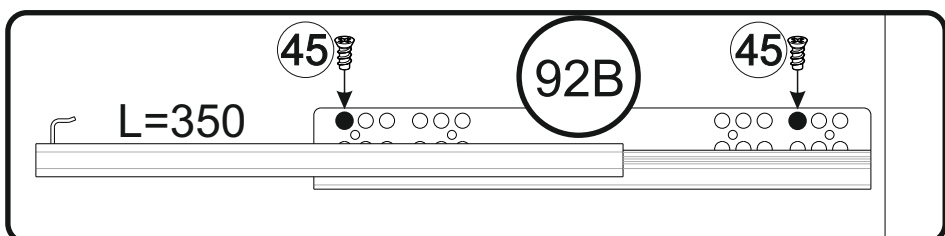
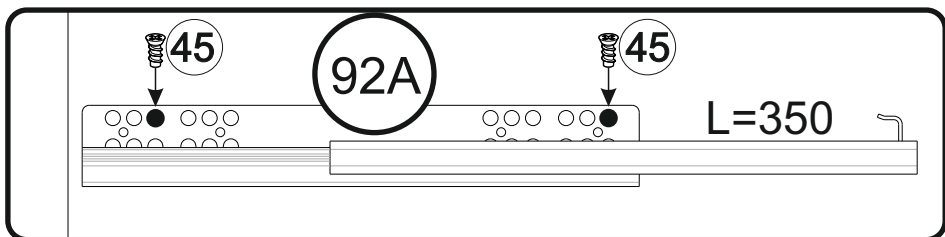
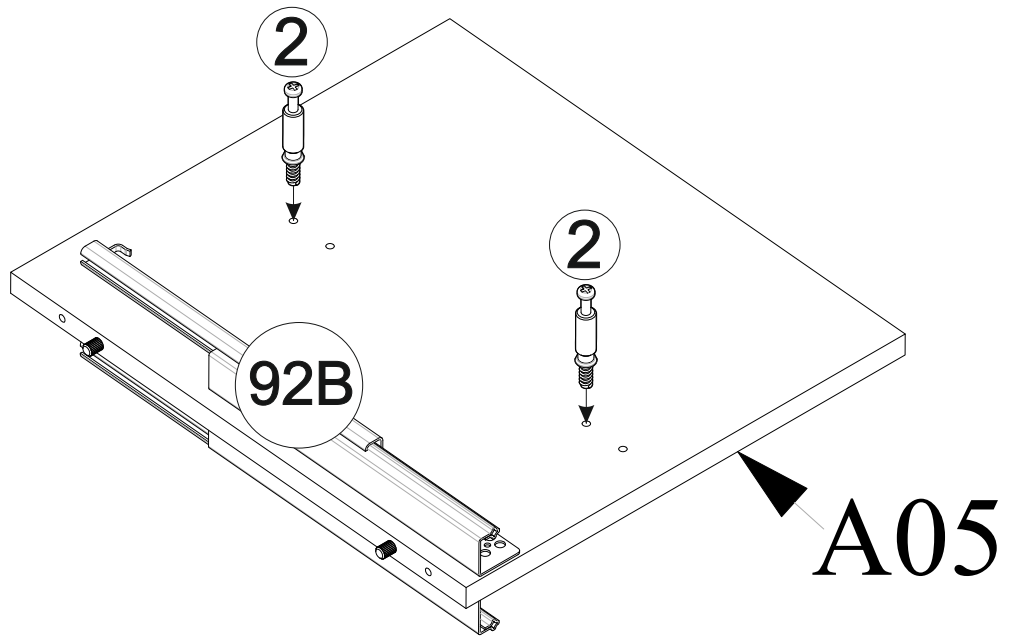
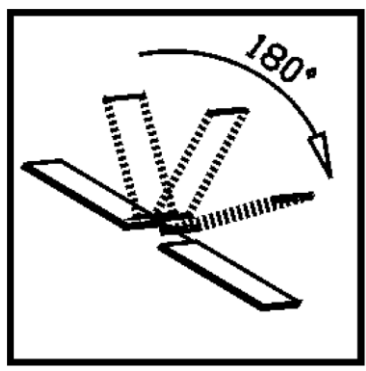
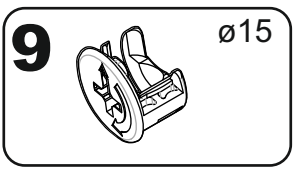
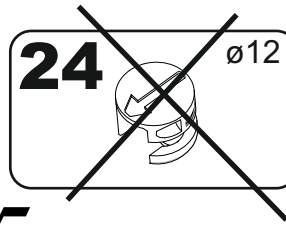
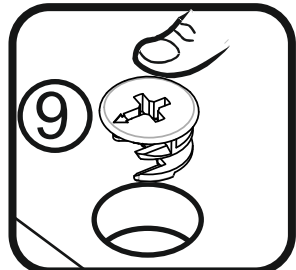
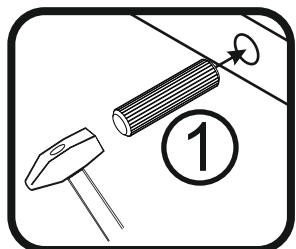
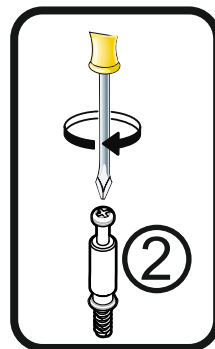
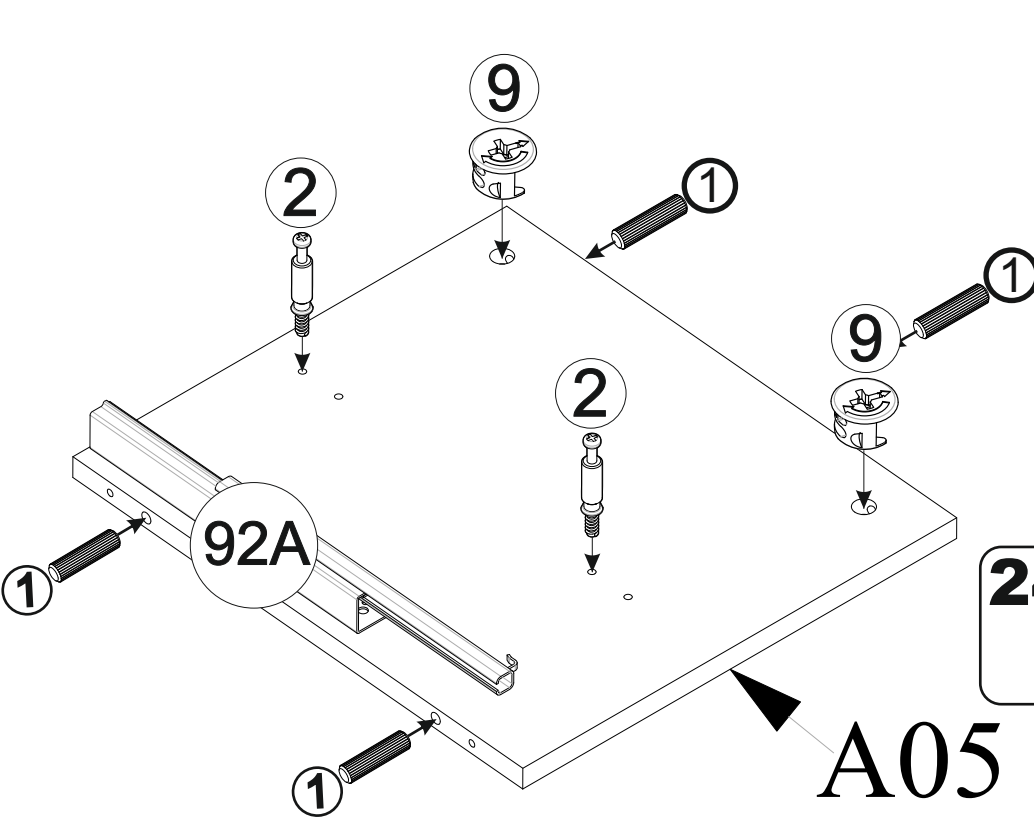
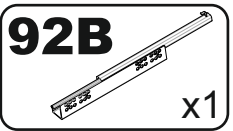
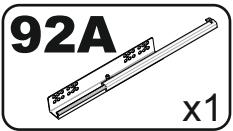
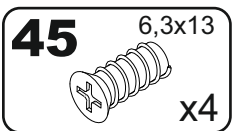
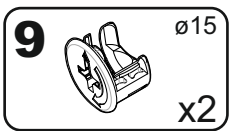
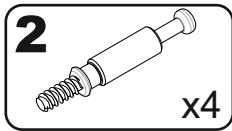
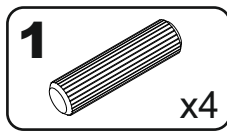
1



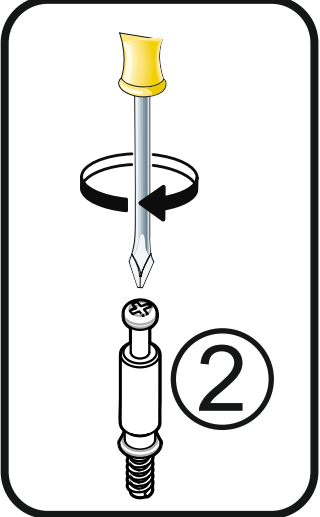
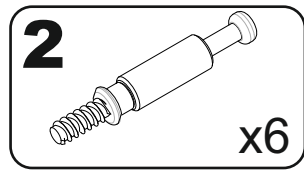
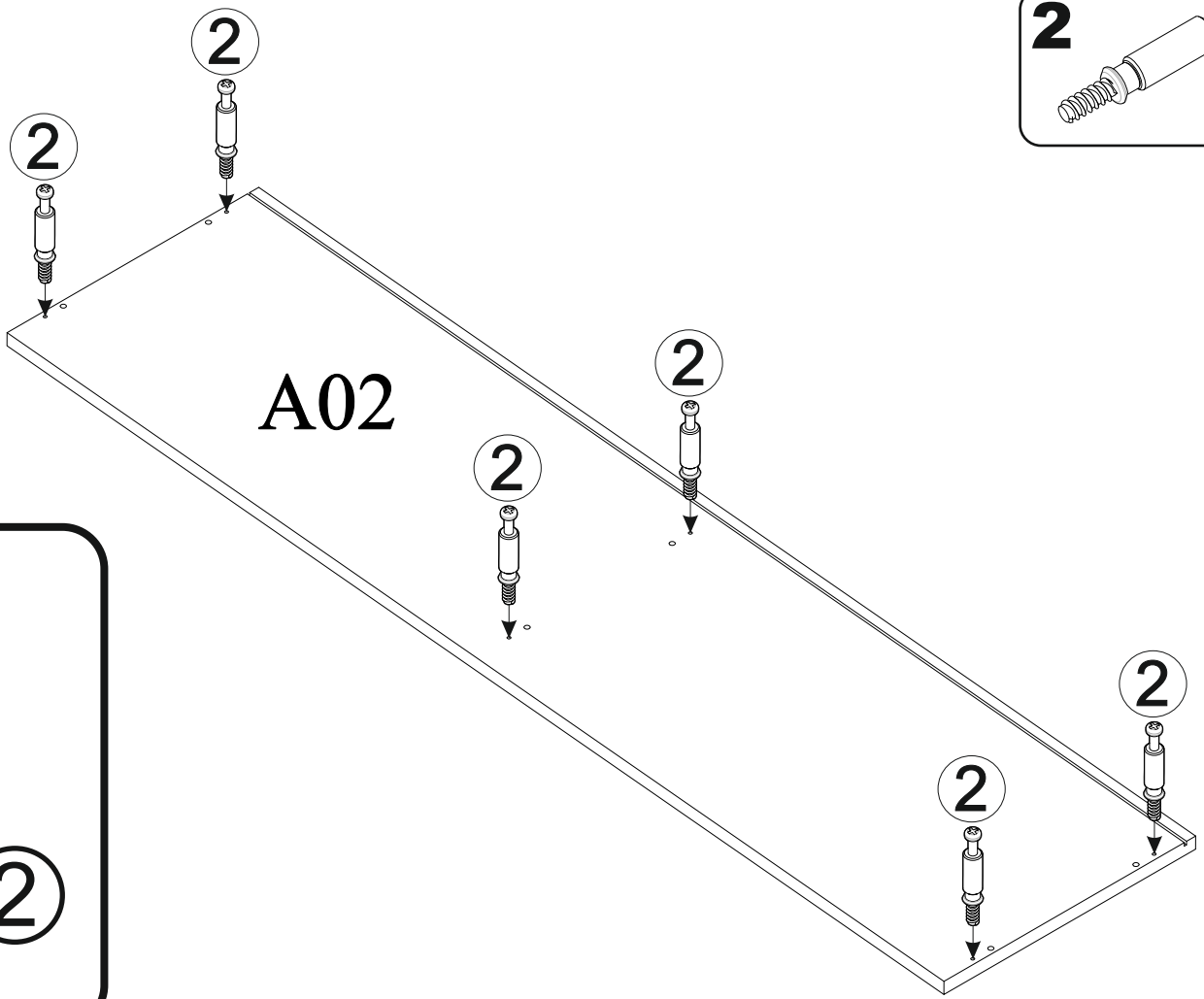
2



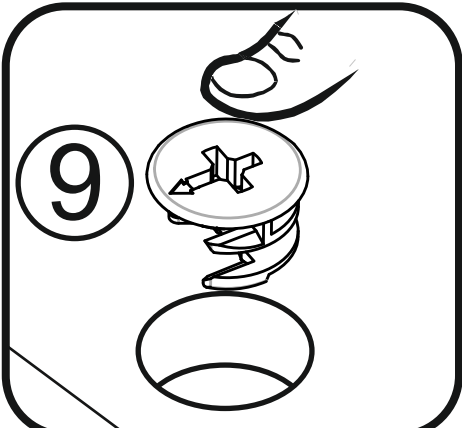
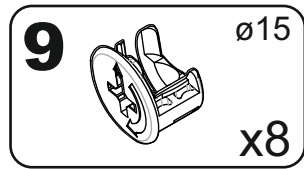
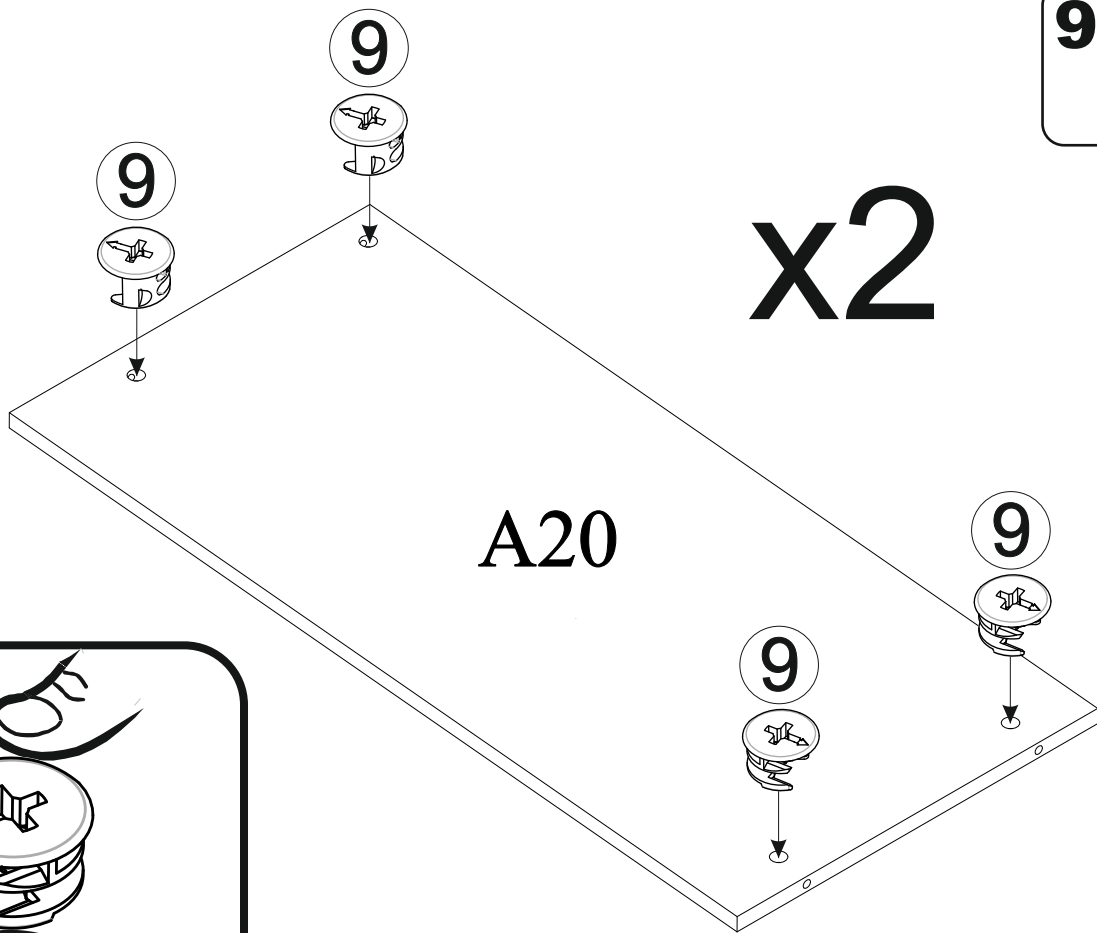
3



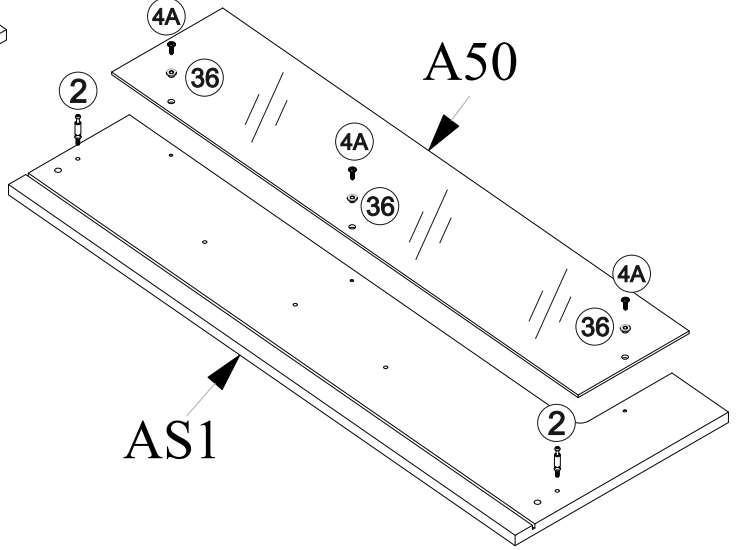
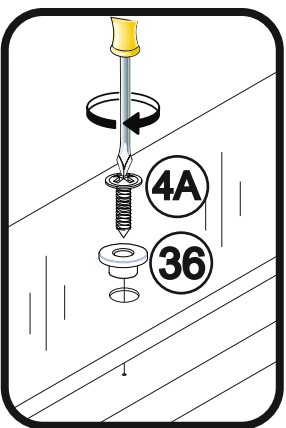
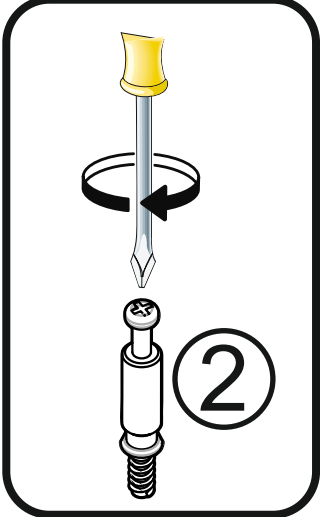
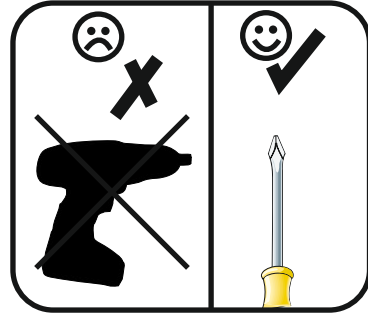
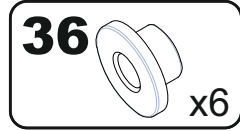
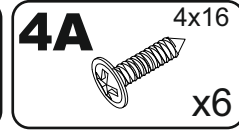
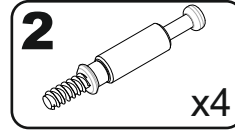
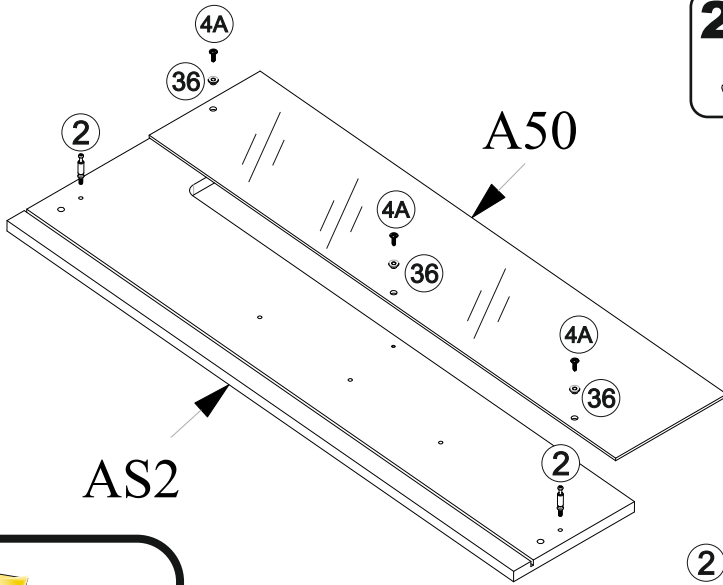
4



5

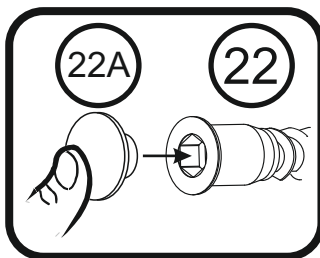
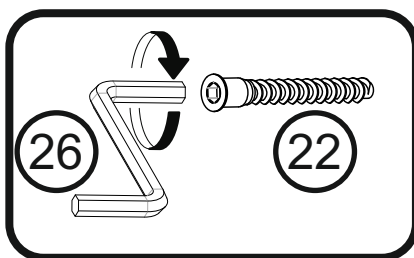
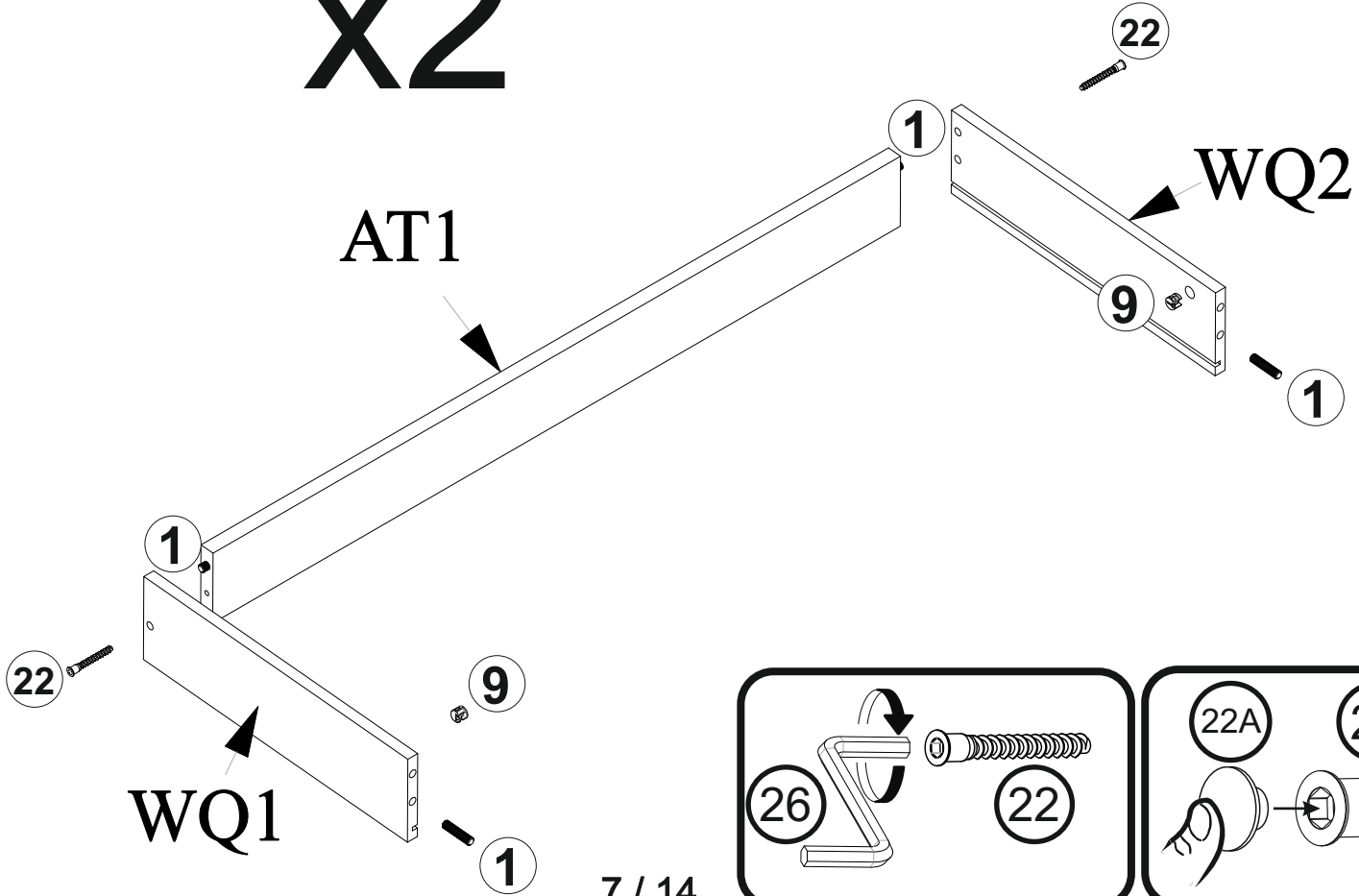
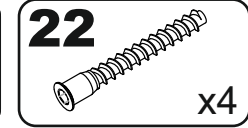
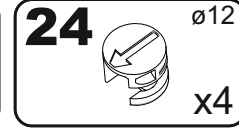
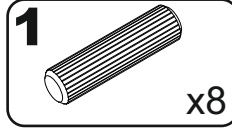


6

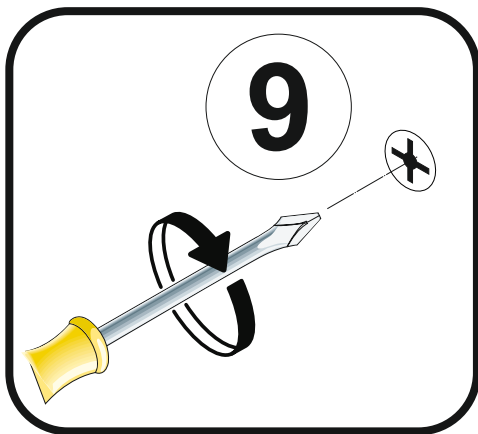
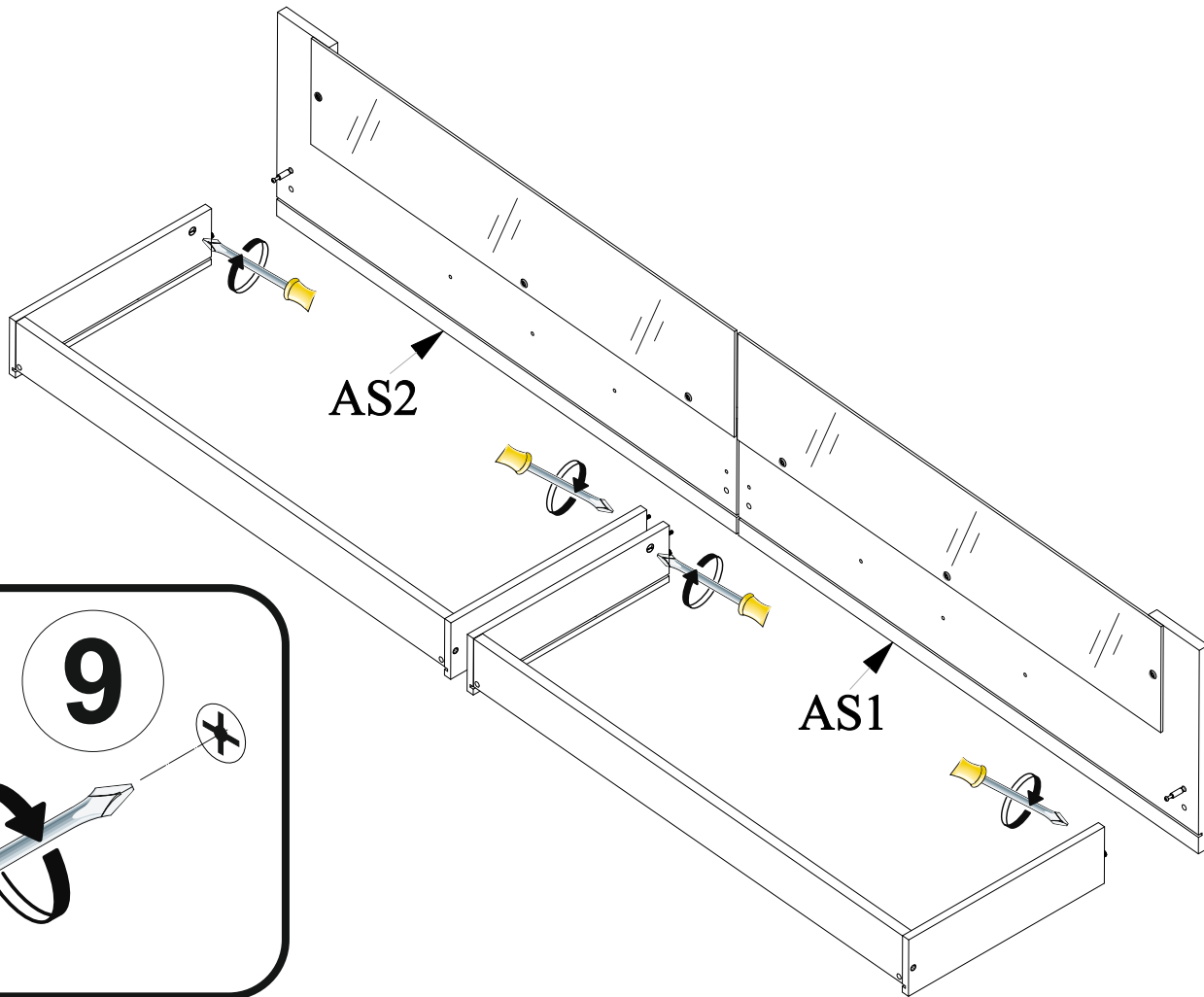


7

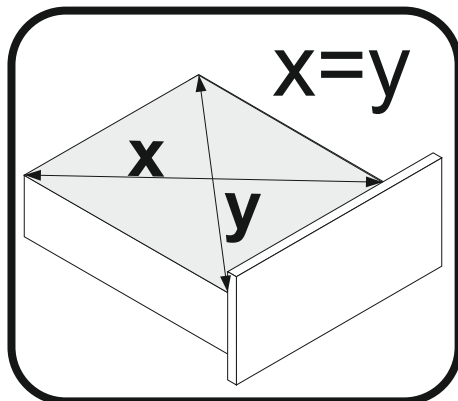
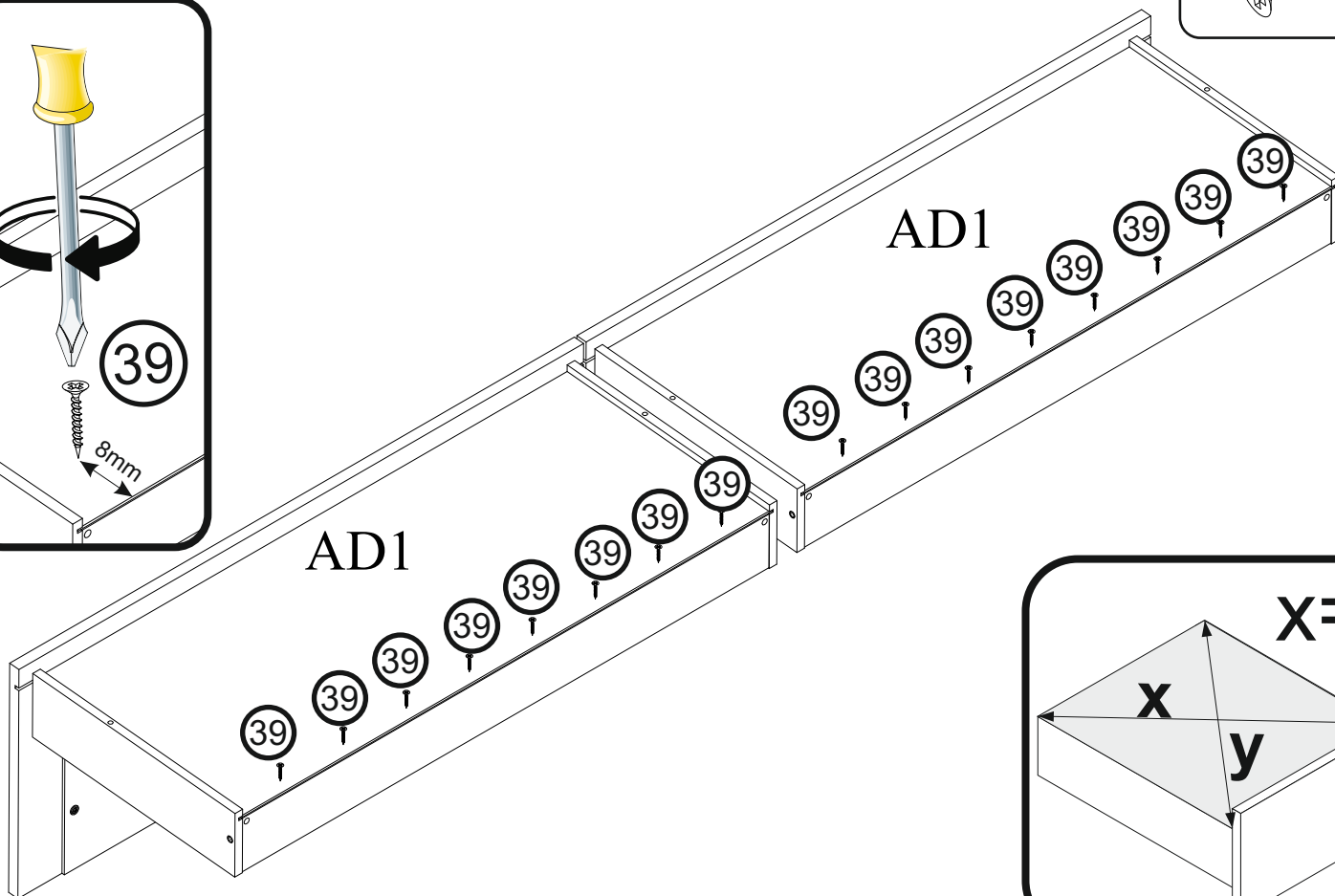
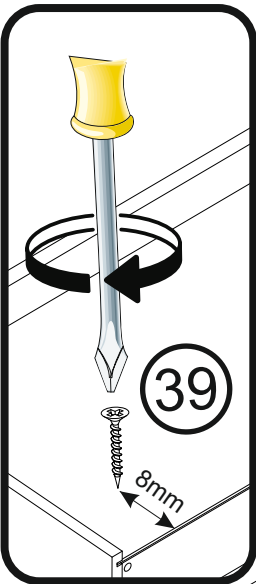
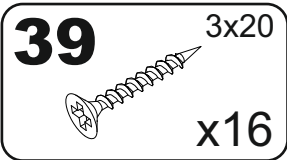
x2



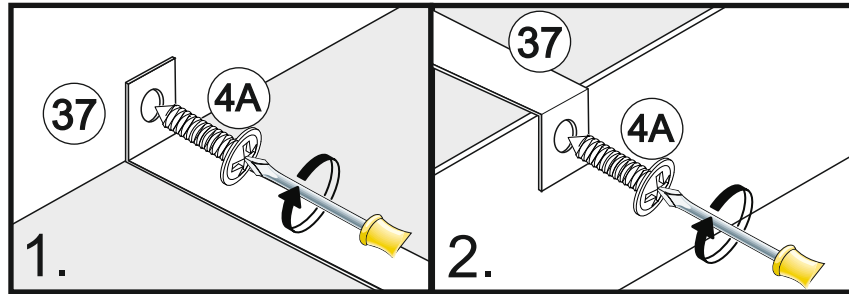
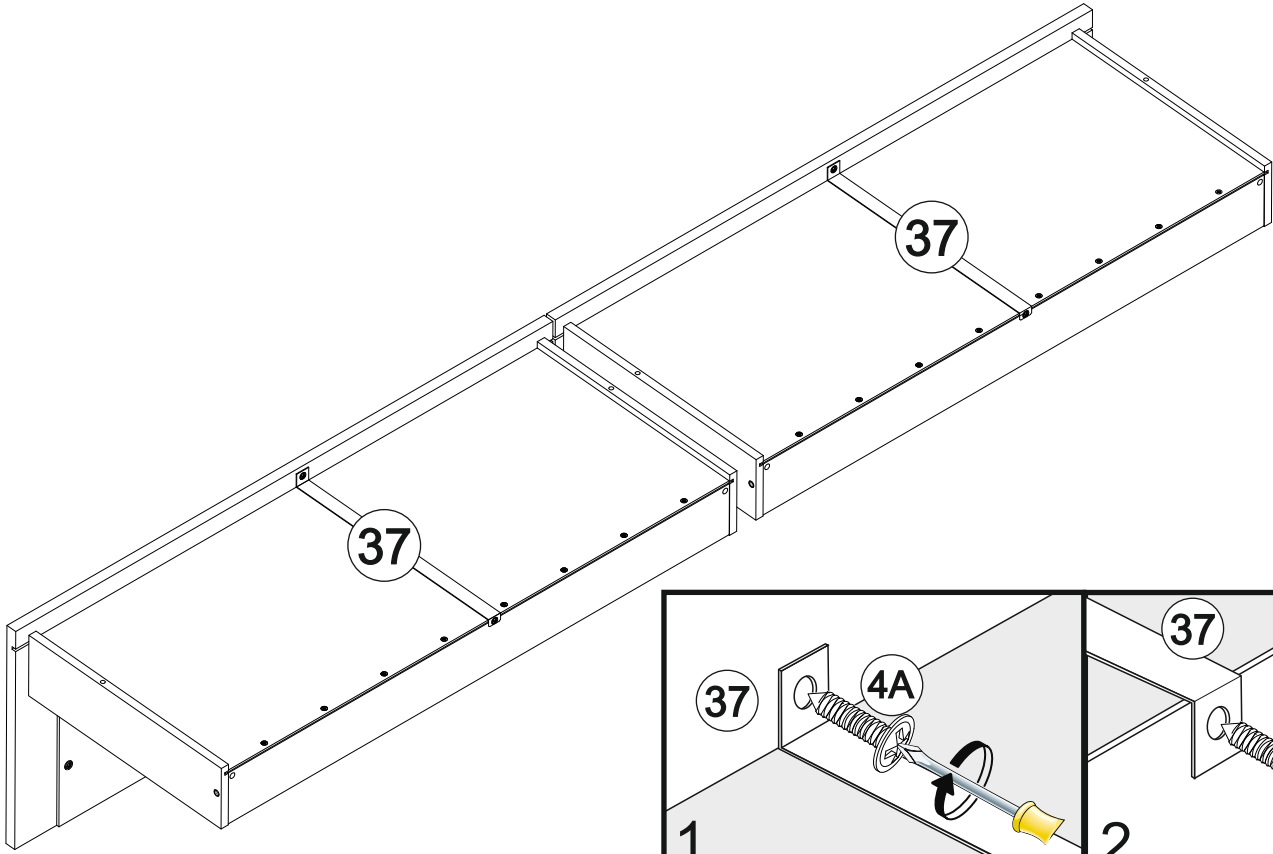
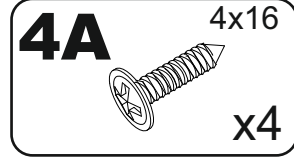
8



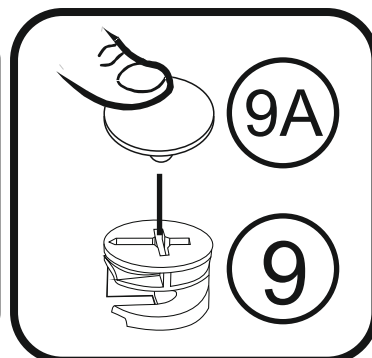
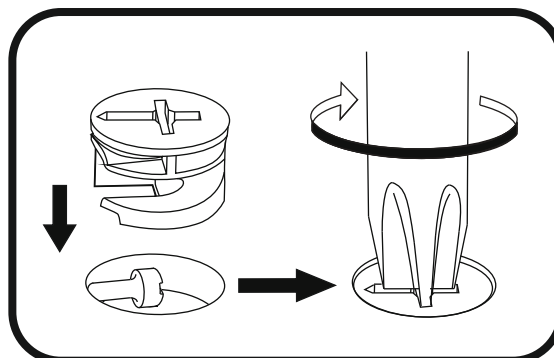
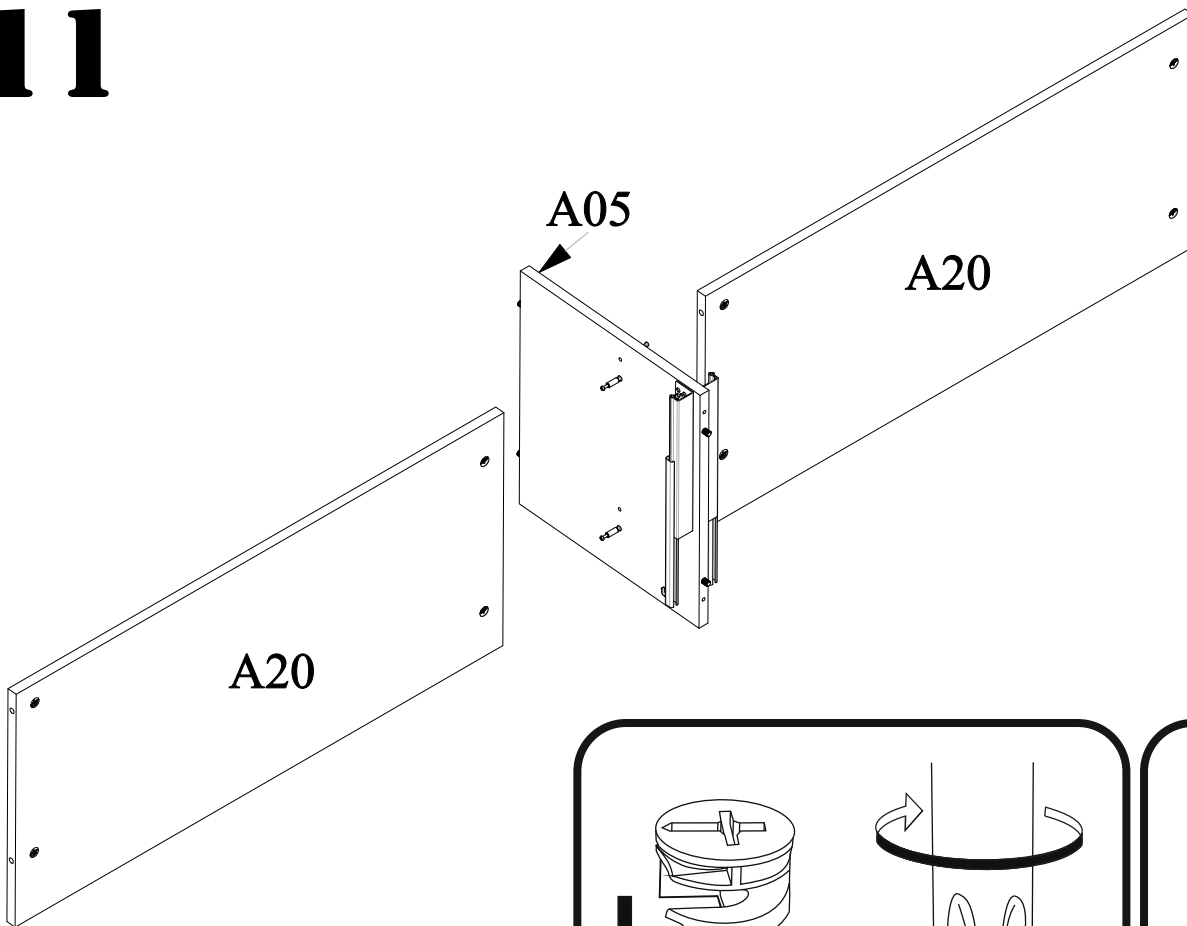
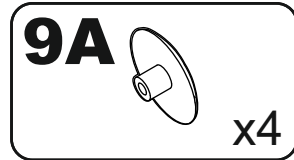
9



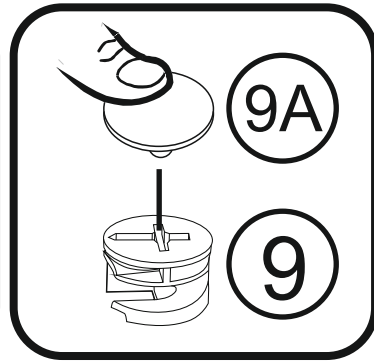
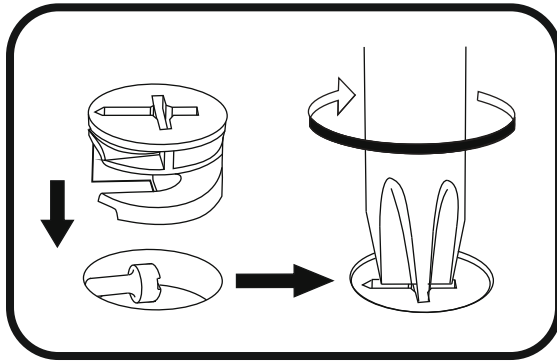
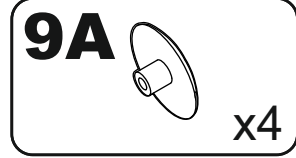
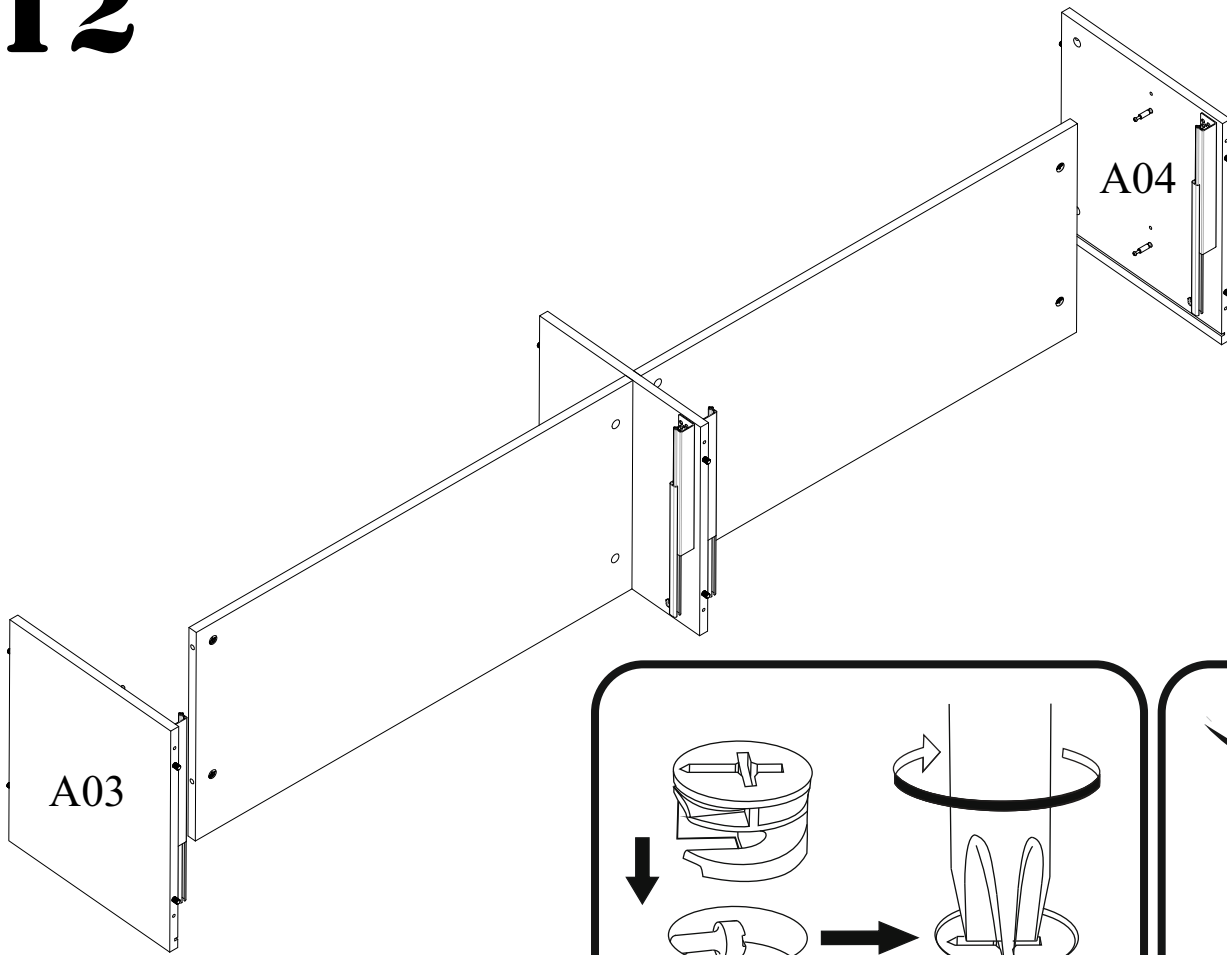
10



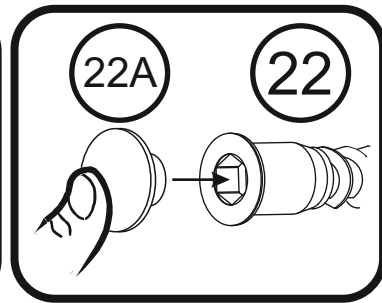
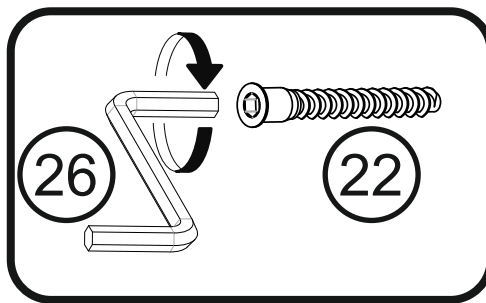
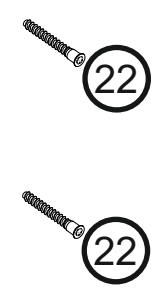
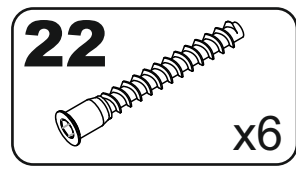
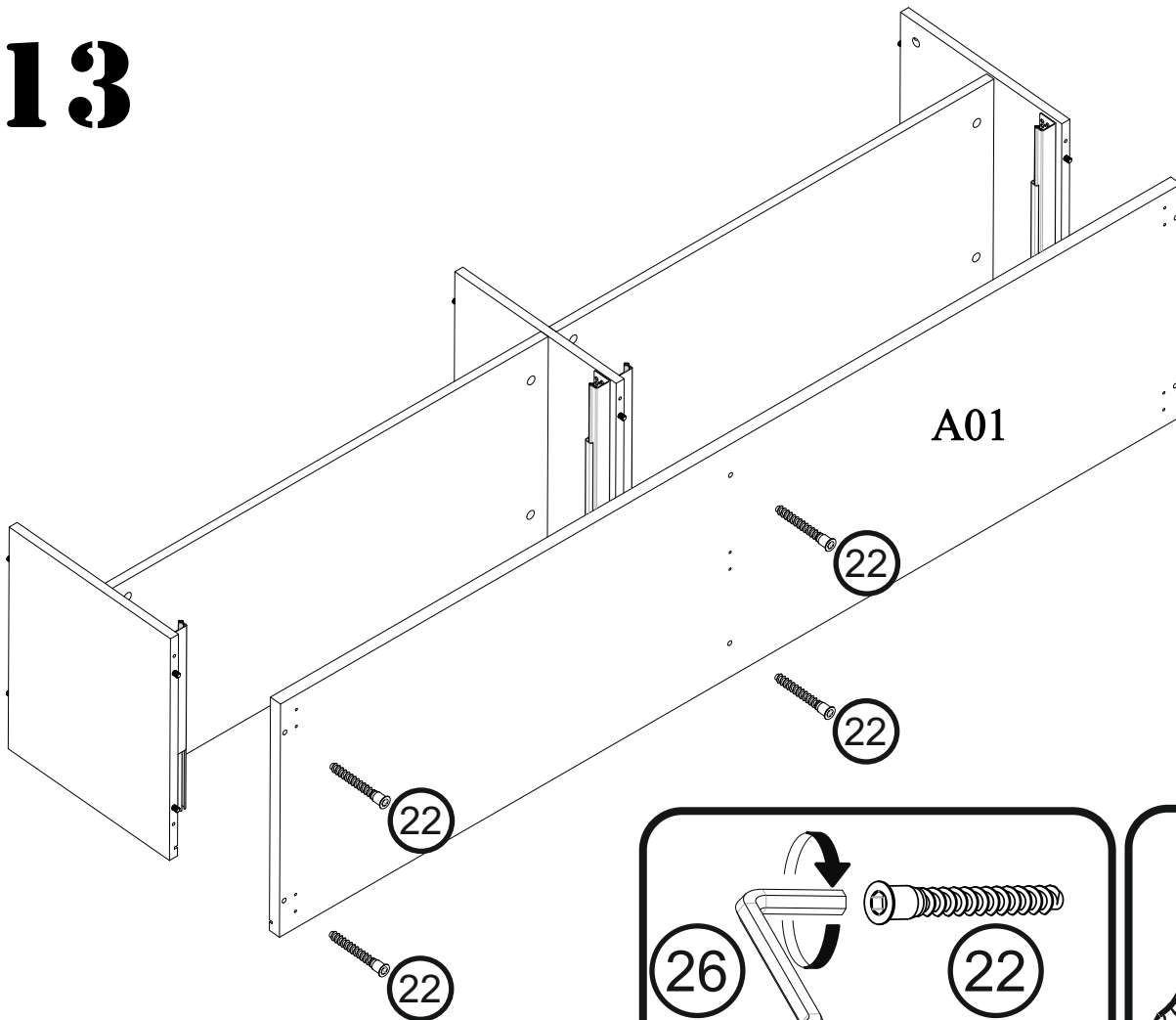
11



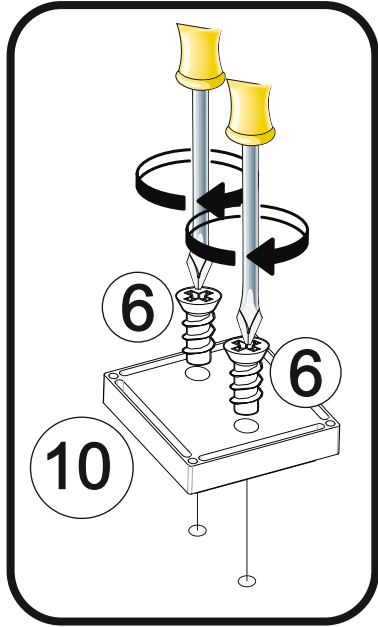
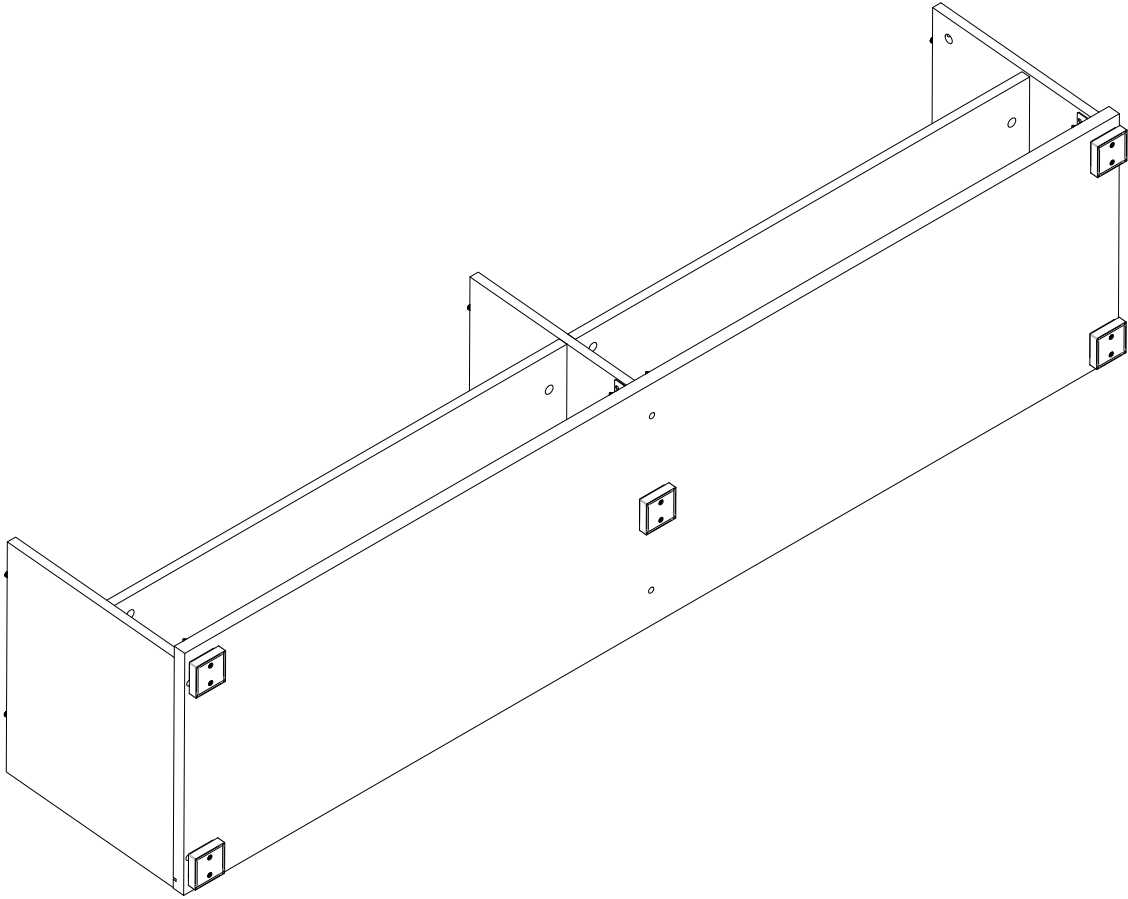
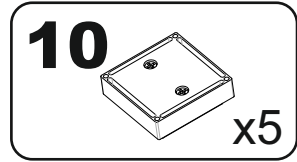
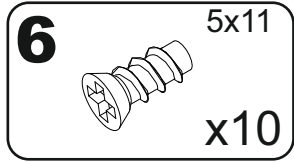
12



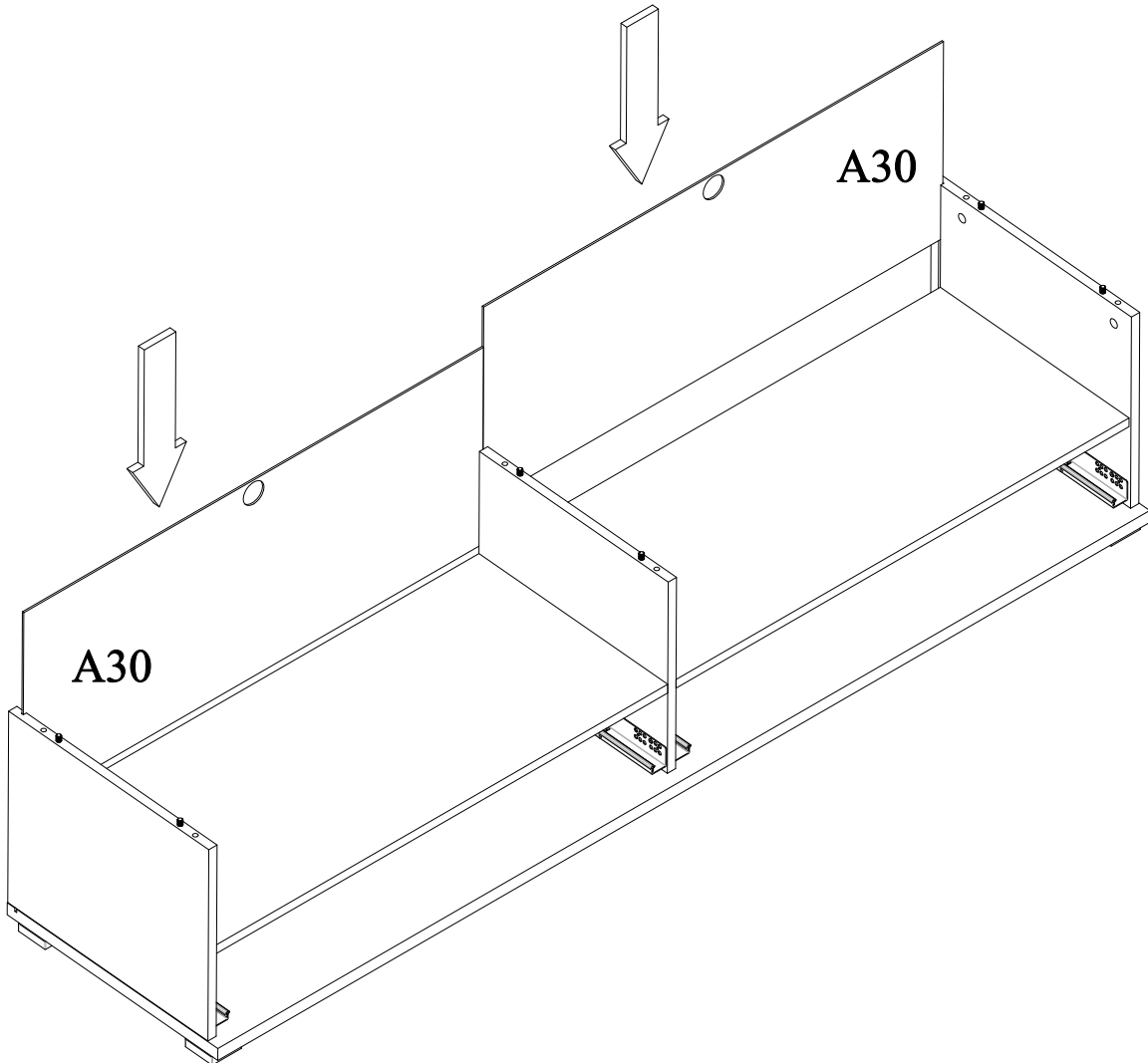
13



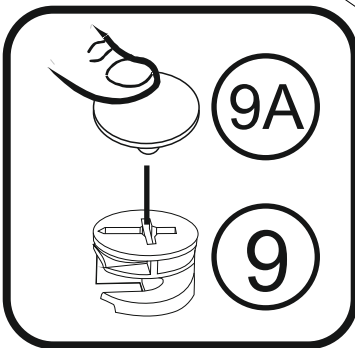
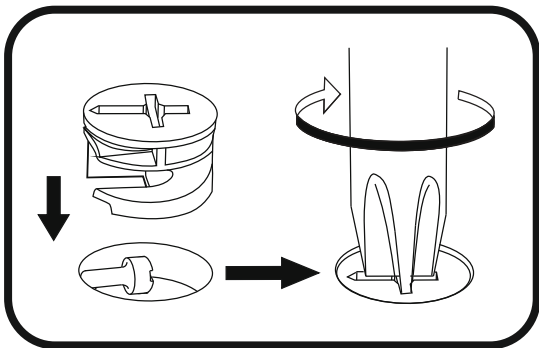
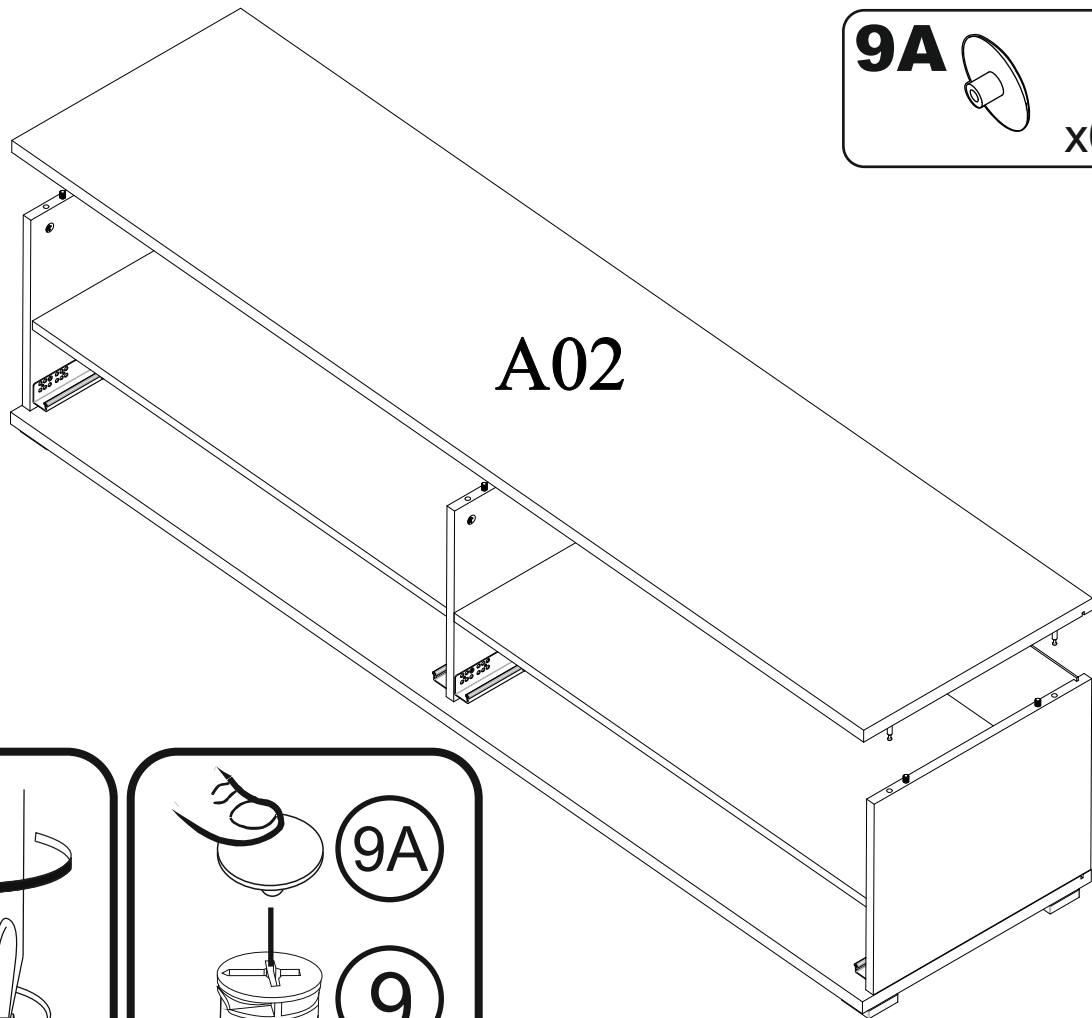
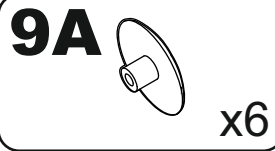
14



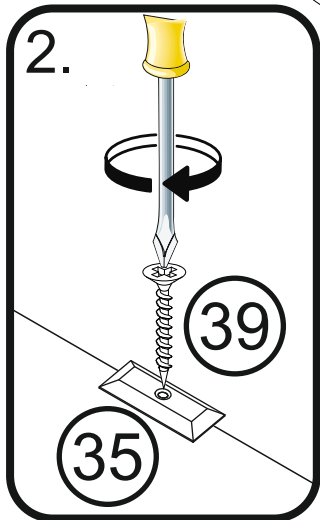
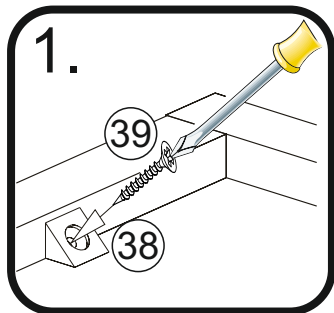
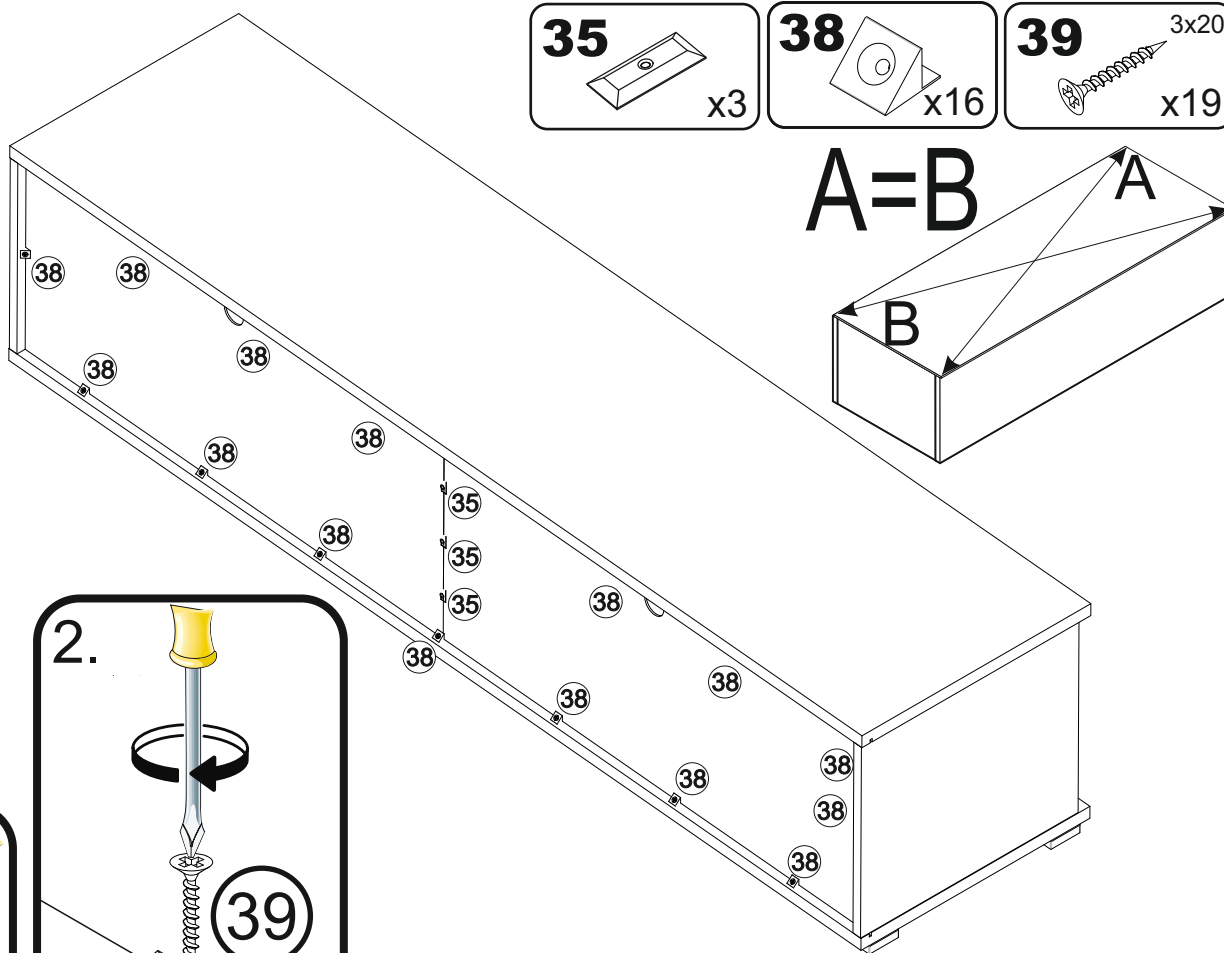
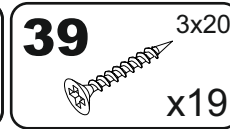
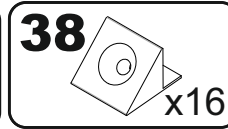
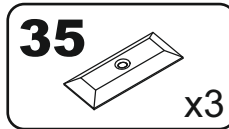
15



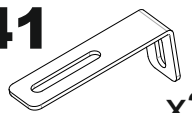

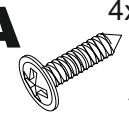
16

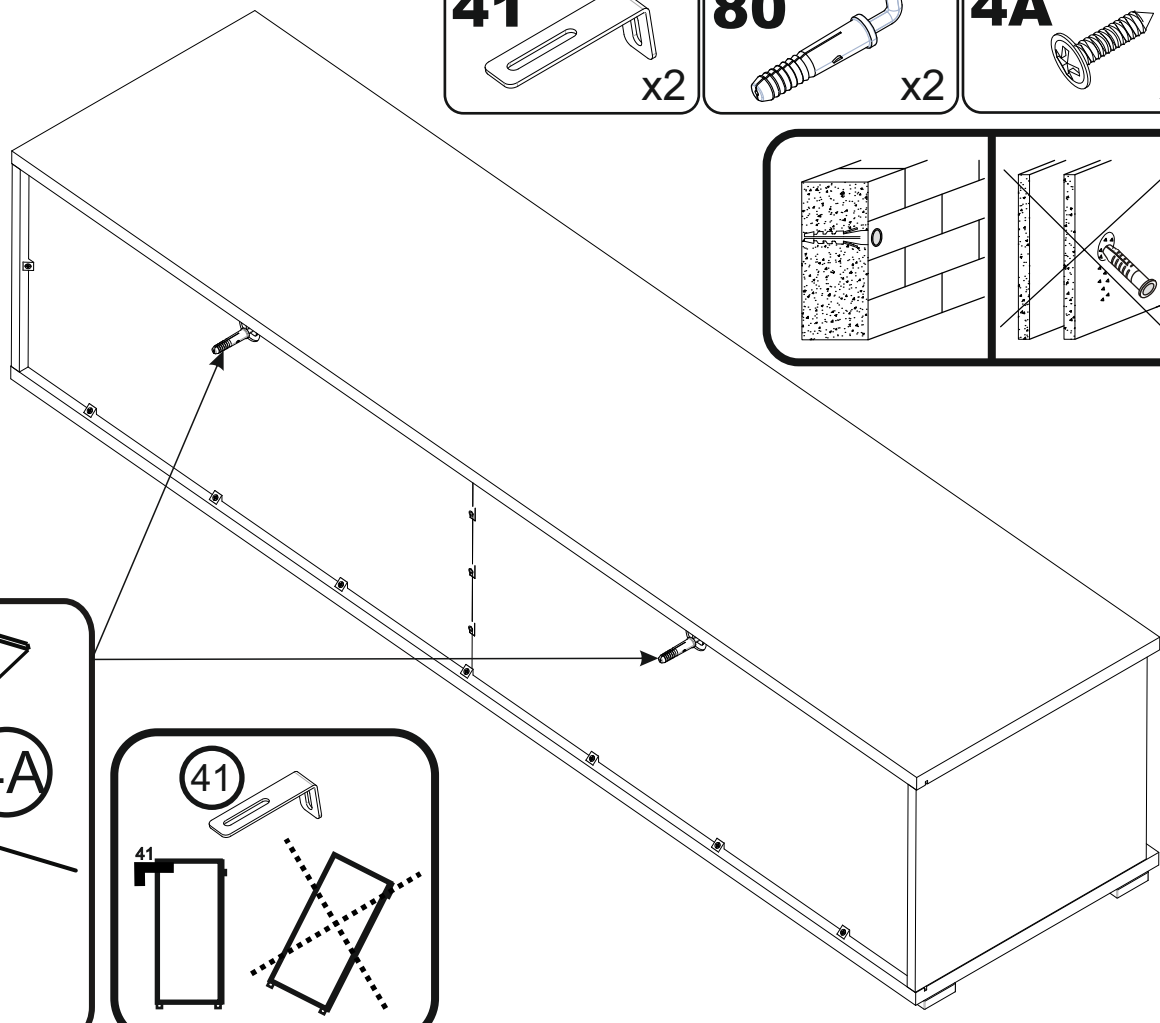
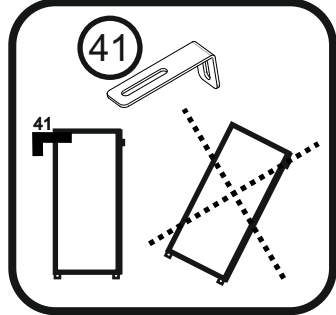
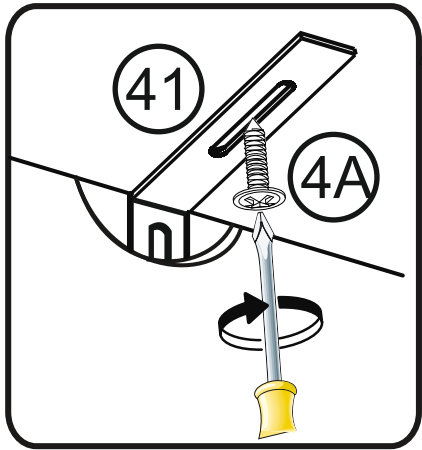
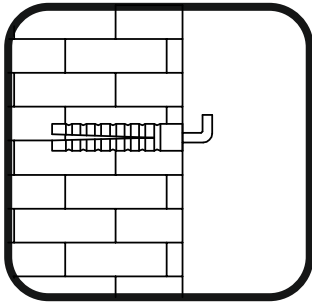
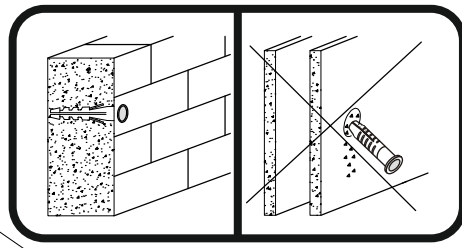


17




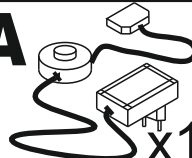
18

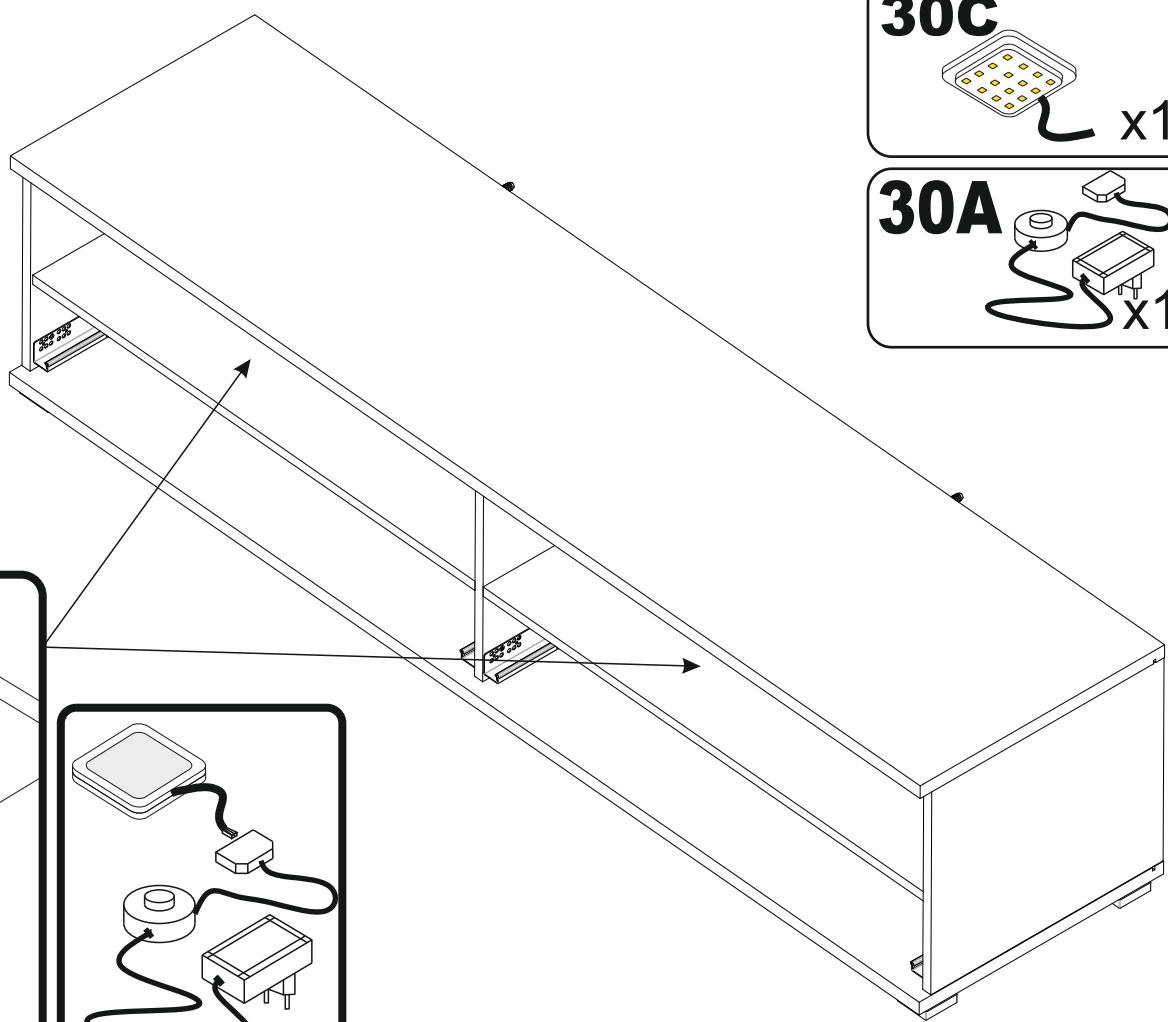
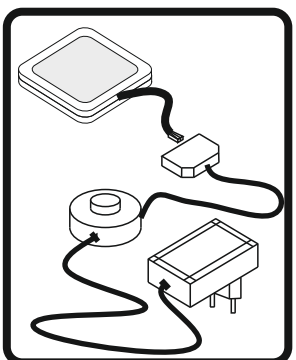
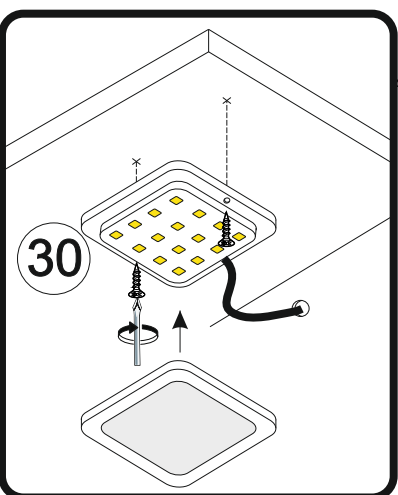
- 41**  x2
- 80**  x2
- 4A**  4x16 x2



19

- 30C**  x1

- 30A**  x1



20

