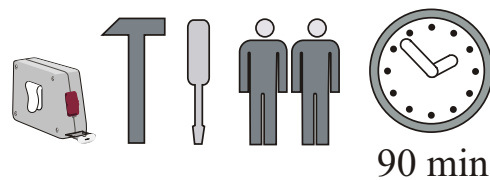
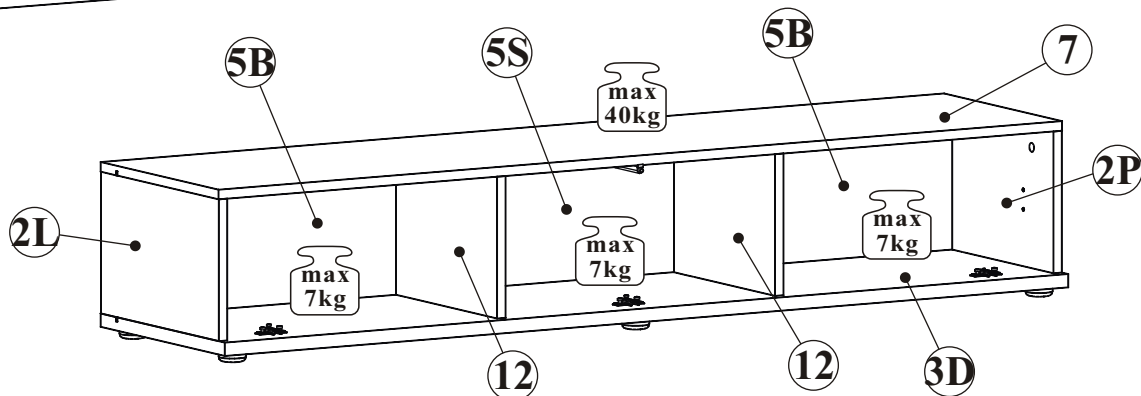
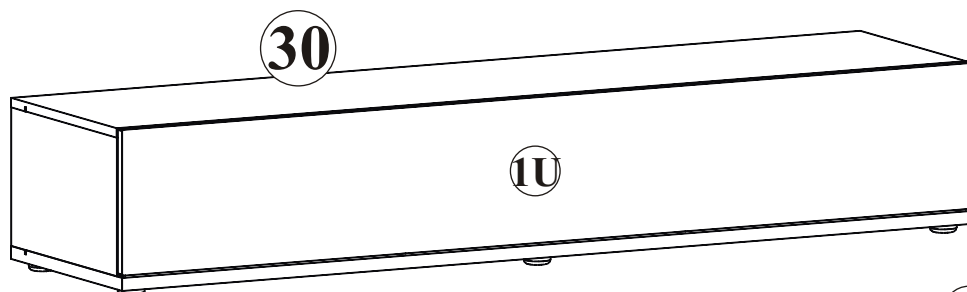
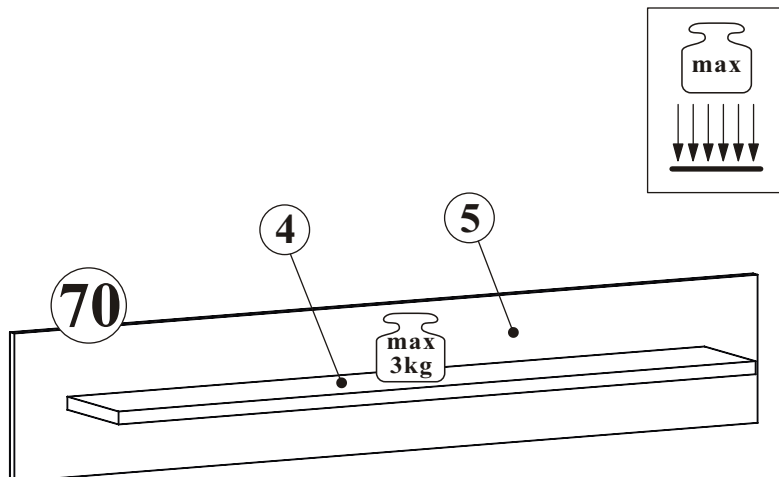
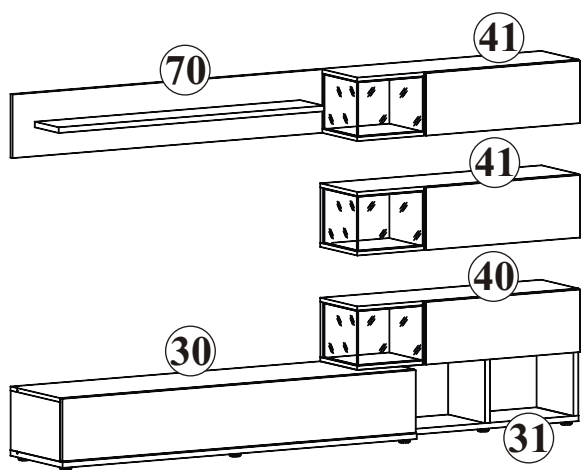
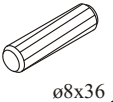
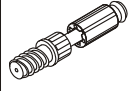




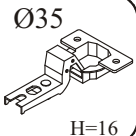
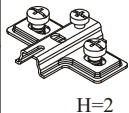



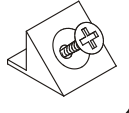
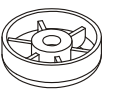
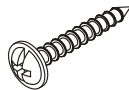
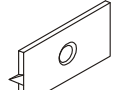


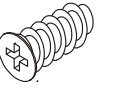
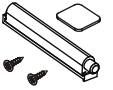
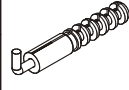
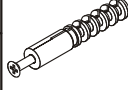
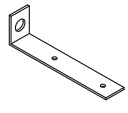



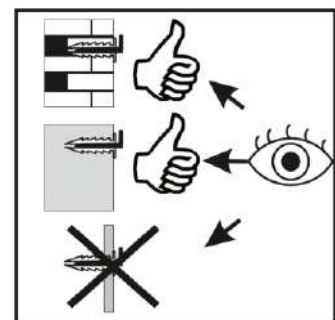
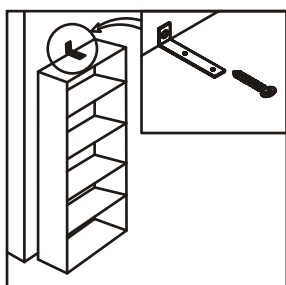
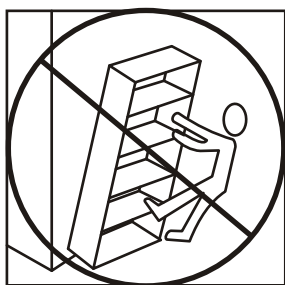
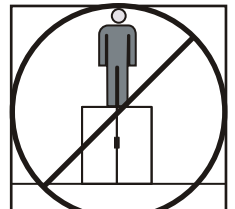
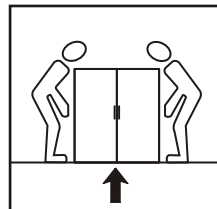
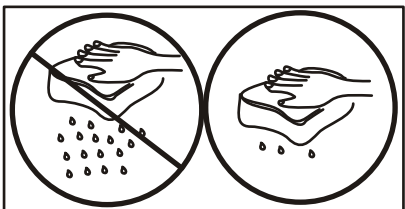
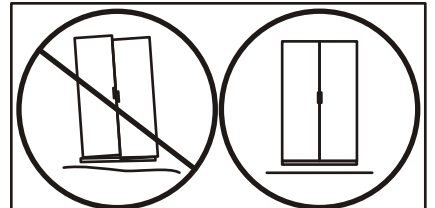
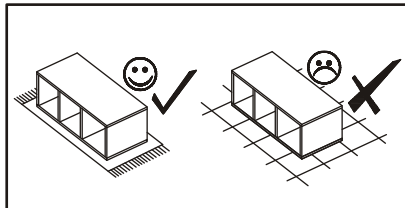
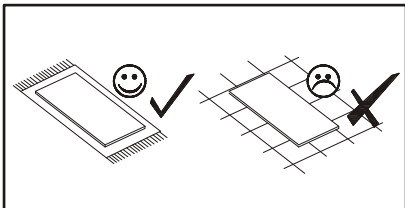
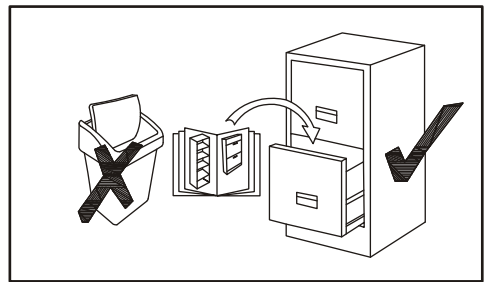
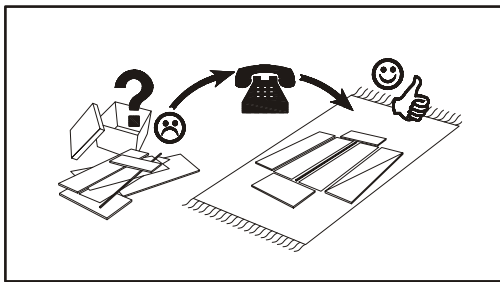
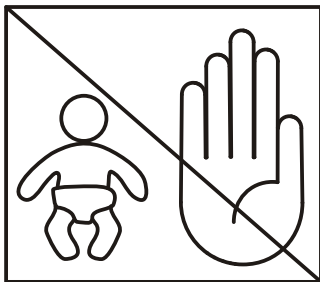
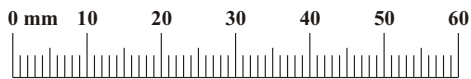
SILK TYP 30, TYP 70



NO	Dim.			Col.-No	Qty
1U	1596	246	16	1 / 3.	1
2L	234	380	16	1 / 3.	1
12	234	326	16	1 / 3.	2
2P	234	380	16	1 / 3.	1
3D	1600	400	22	1 / 3.	1
5B	246	526	3	1 / 3.	2
5S	246	527	3	1 / 3.	1
7	1600	380	16	1 / 3.	1
4	1200	184	22	1 / 3.	1
5	1400	250	16	1 / 3.	1

SILK TYP 30, TYP 70

A1 x20 	B4 x8 	B5 x8 	G5 x8 	B11 x13 	G4 x13 
E25 x3 	E4 x3 	D10 x16 	G21 x2 	D7 x6 	S1 x14 
I11 x6 	UP15 x6 	G16 x2 	UP13 x2 	ZM1 x3 	D20 x6 
OD2 x2 	KR2 x3 	KR1 x1 	L1 x1 	G2 x1 	



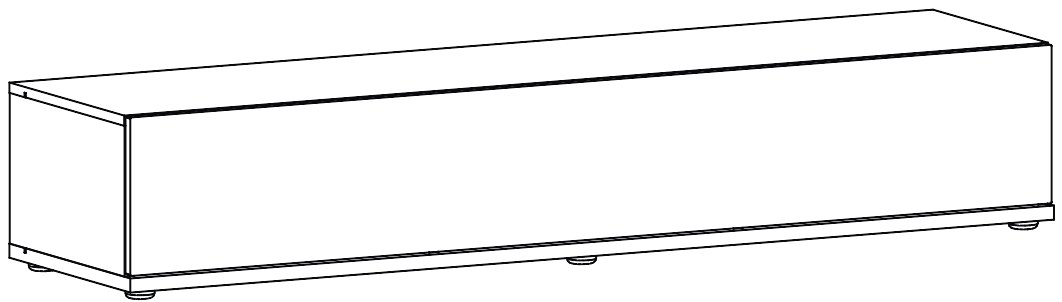
1 - 4

70



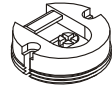

5 - 15

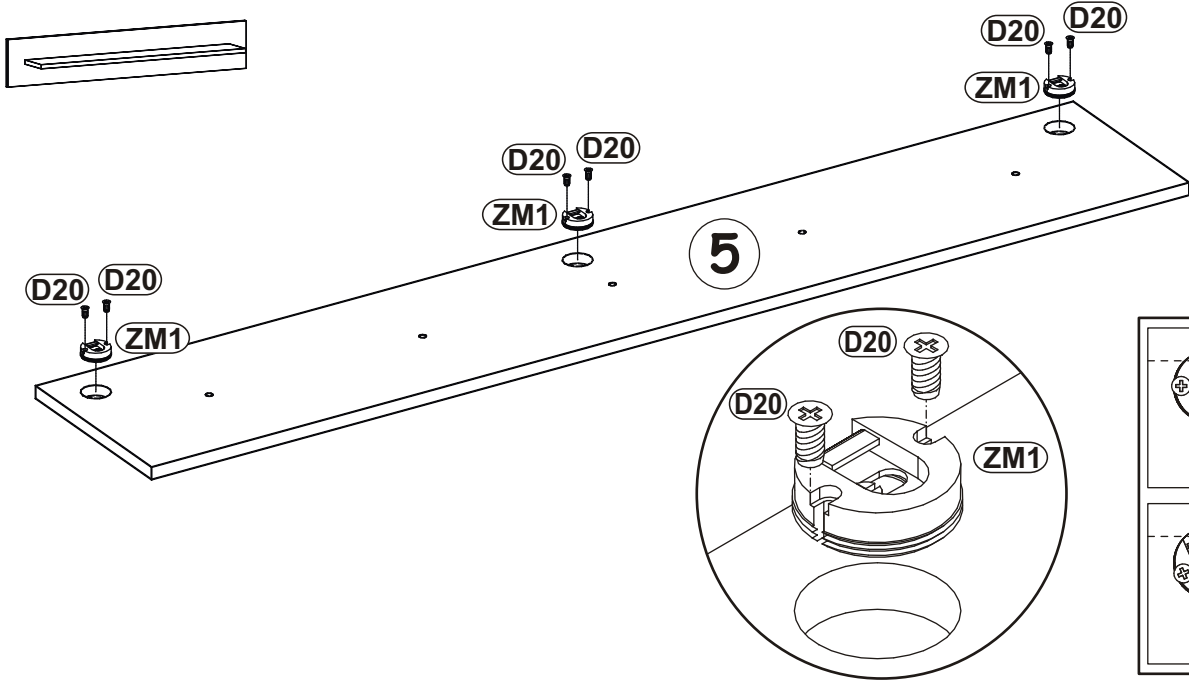
30



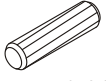
SILK TYP 70

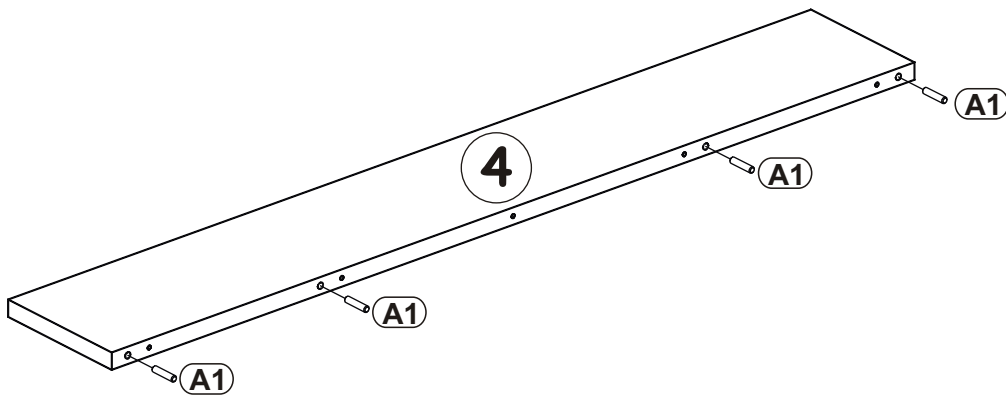
1

ZM1		D20	
x3		x6	ESØ6x9,5





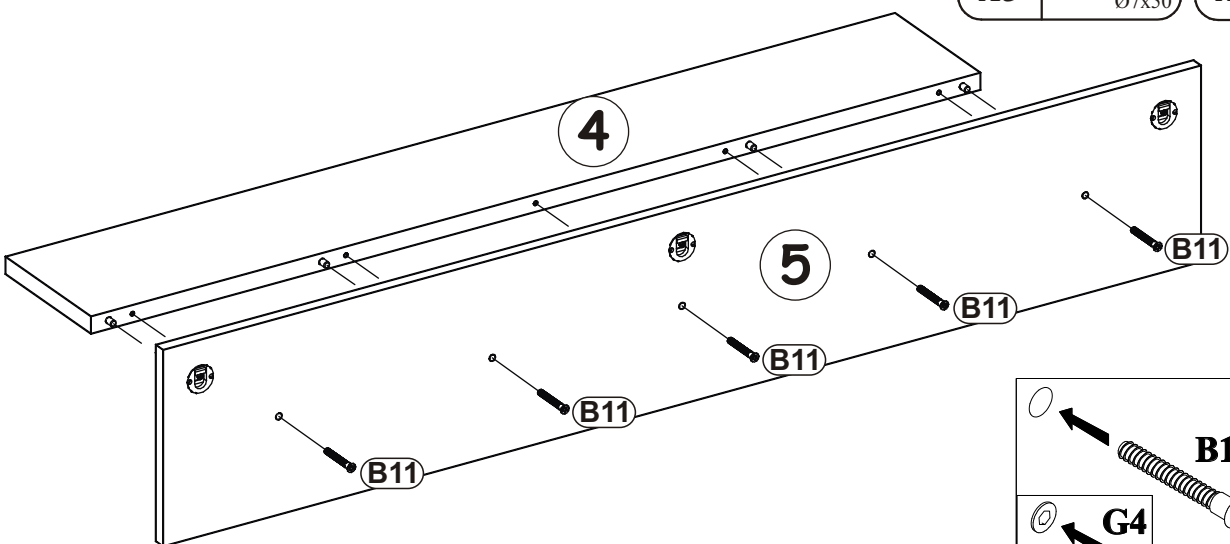
2

A1	
x4	ø8x36

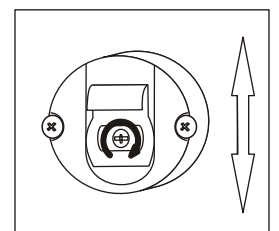
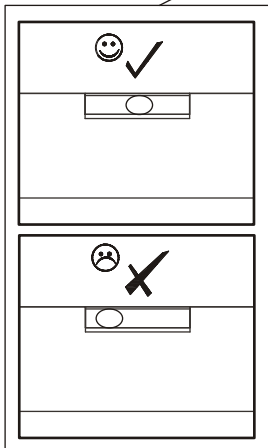
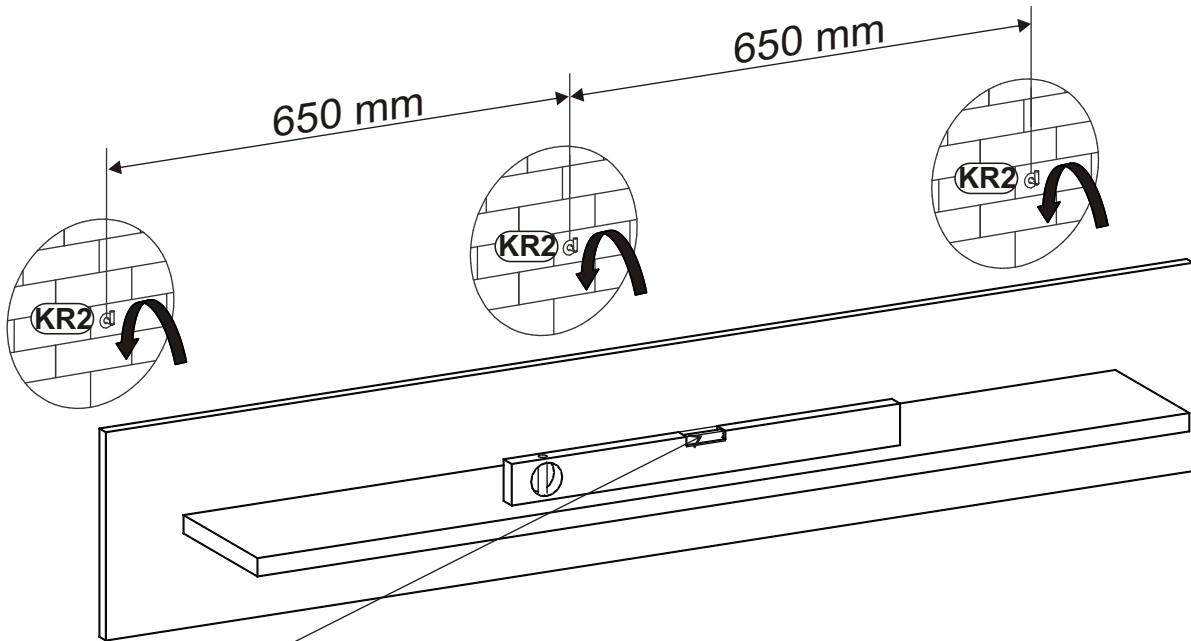
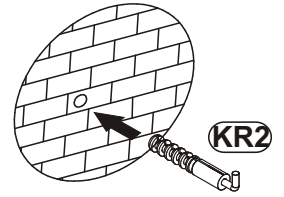
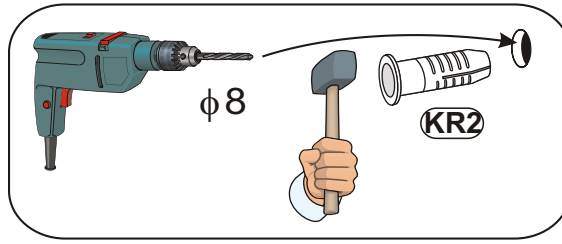
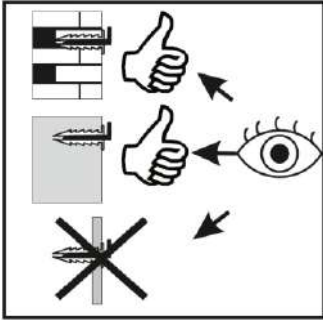
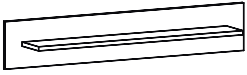
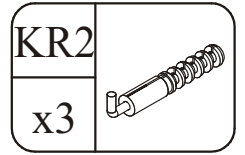


3

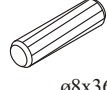
B11		G4	
x5	Ø7x50	x5	



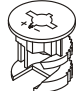
4



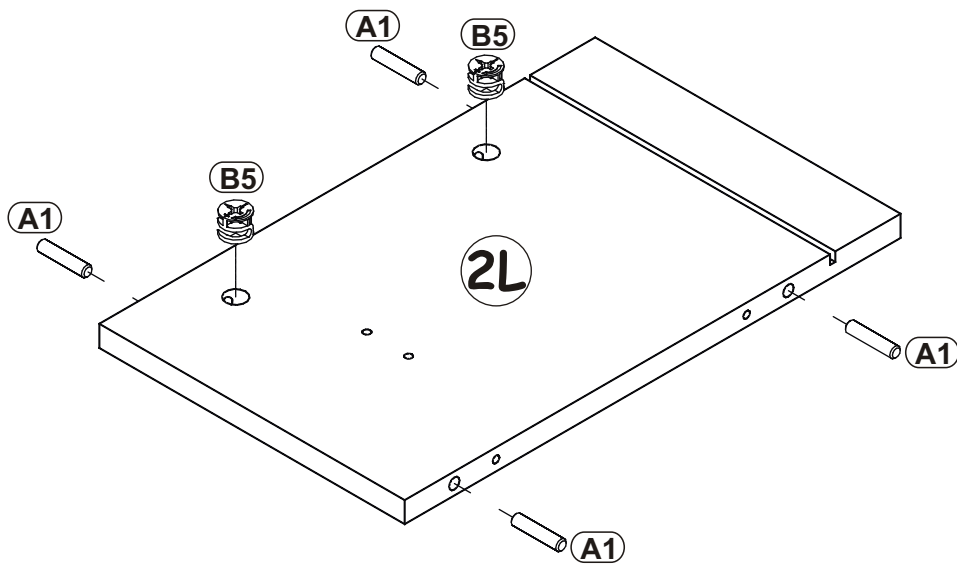
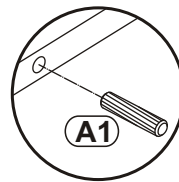
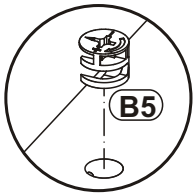
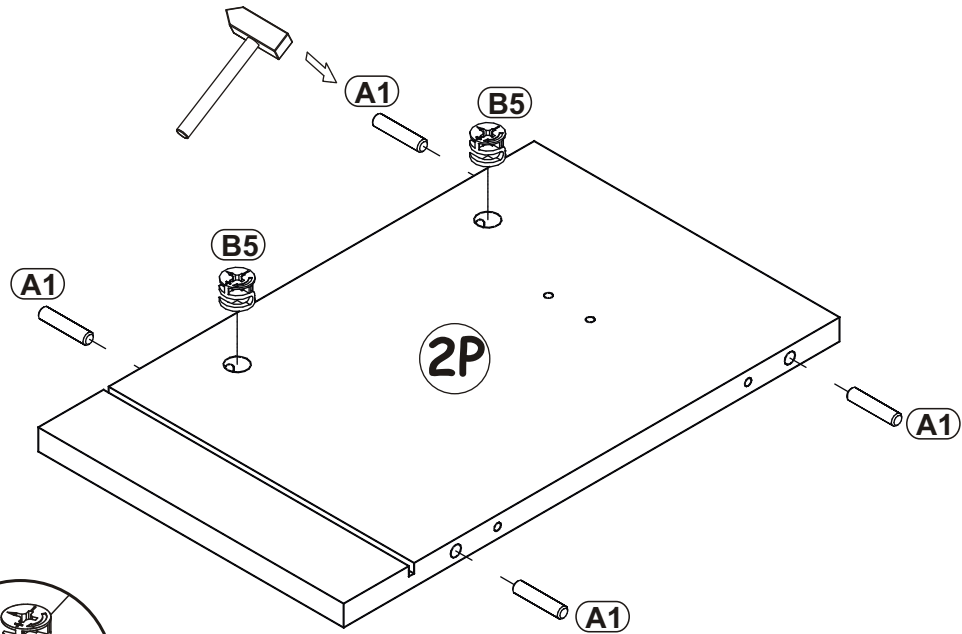
5

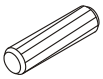

A1	
x8	

ø8x36

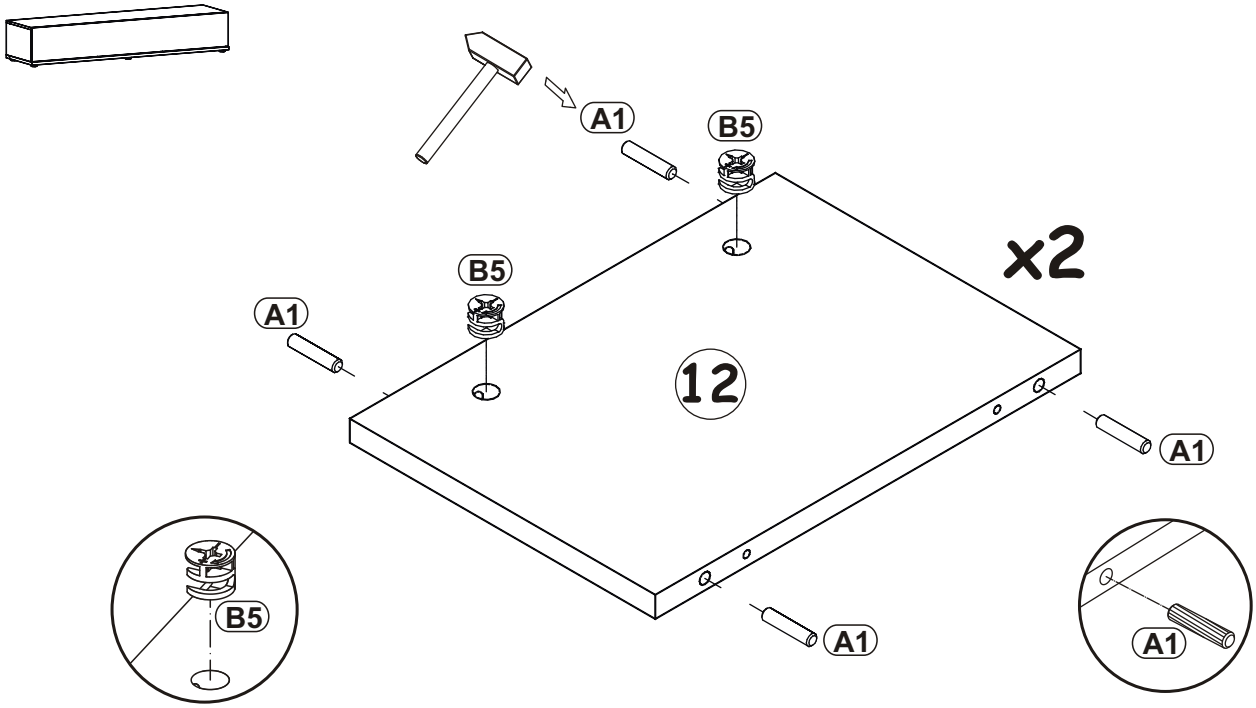
B5	
x4	

Ø15x12

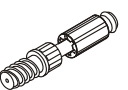


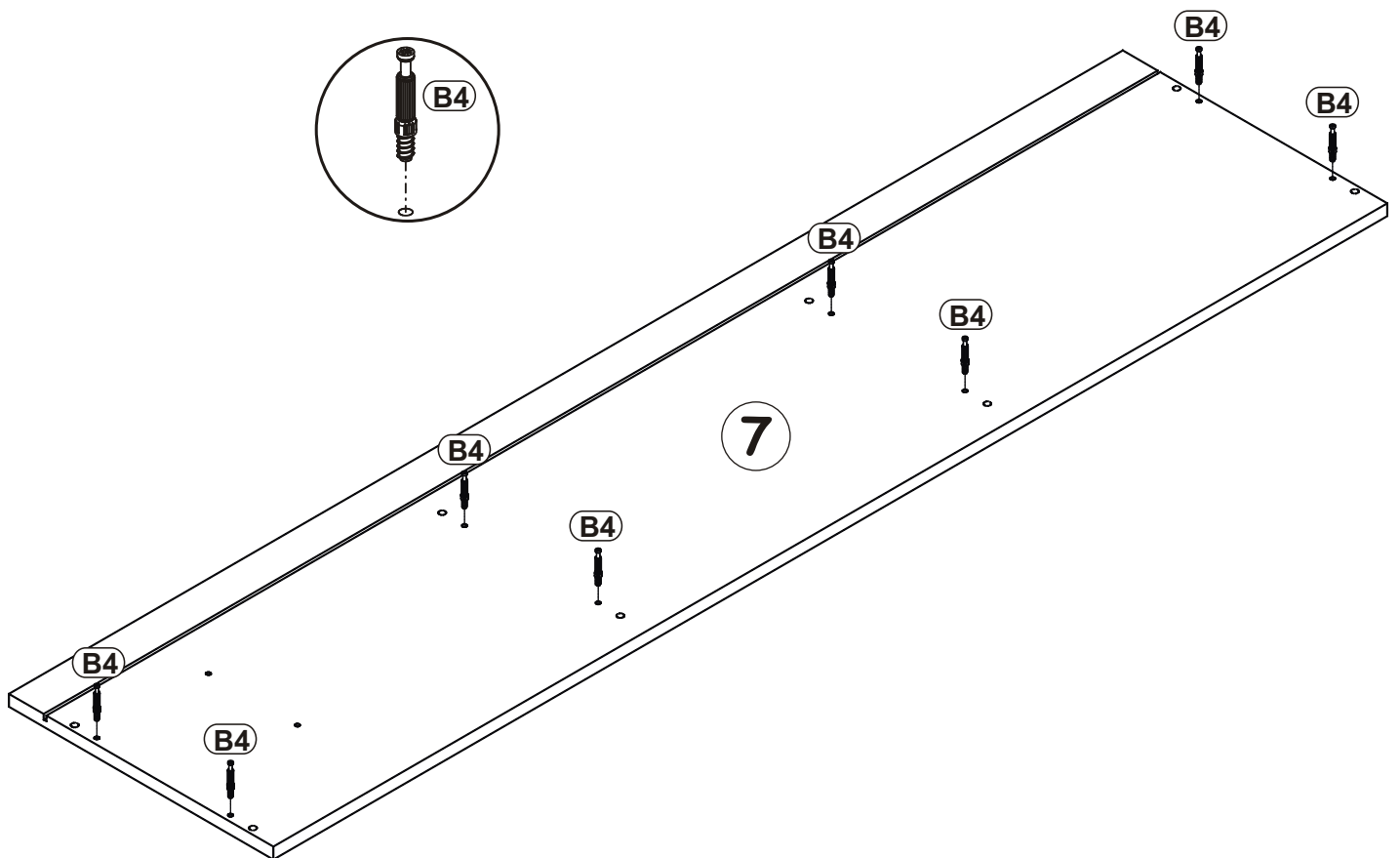
A1		B5	
x8	ø8x36	x4	Ø15x12

6

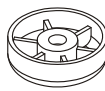



7

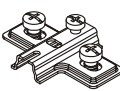
B4	
x8	

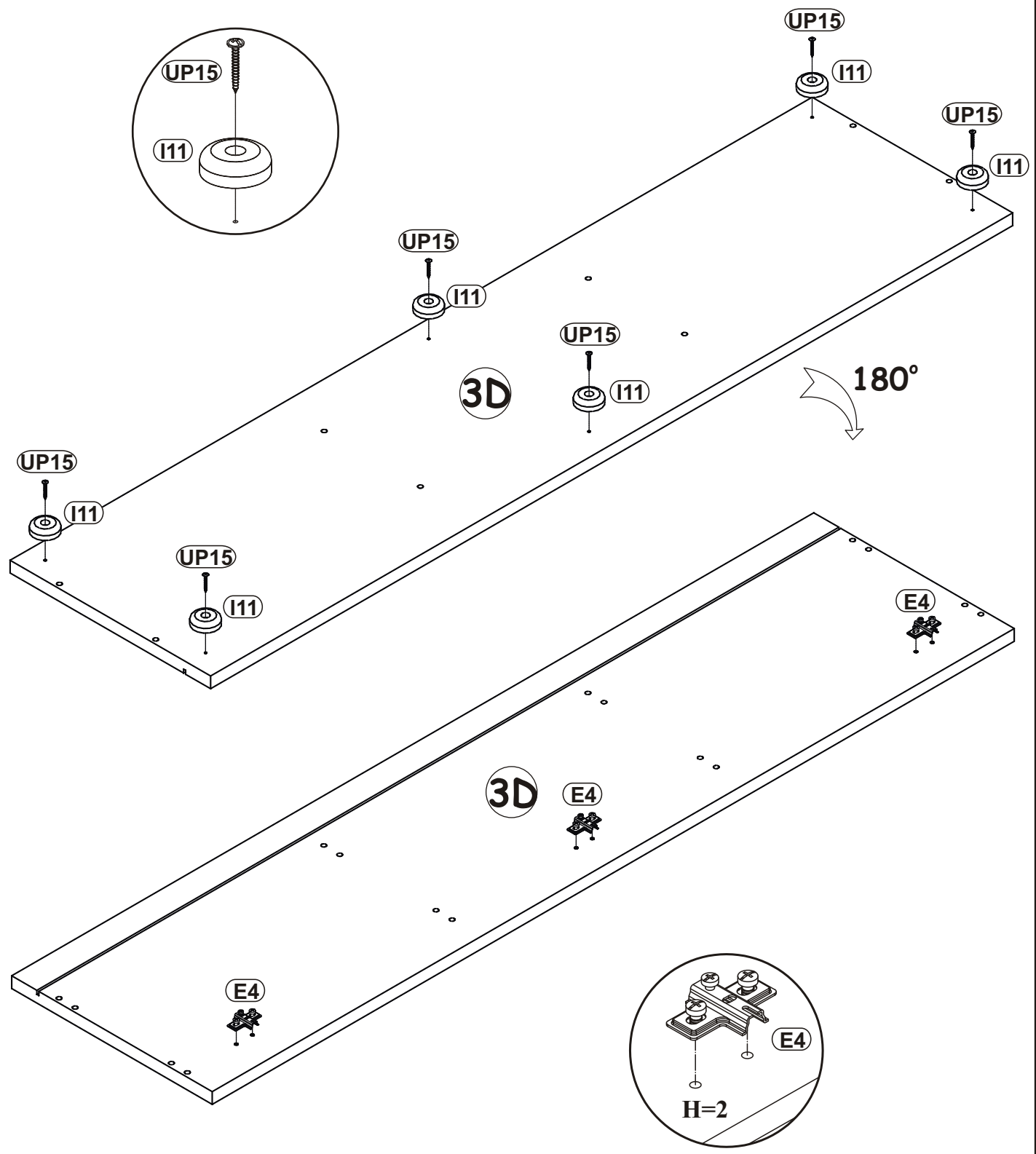
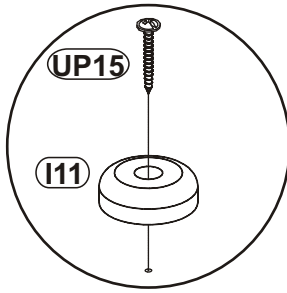


8

I11	
x6	Ø50, h=25

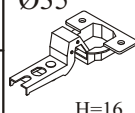

UP15	
x6	UPØ4x25

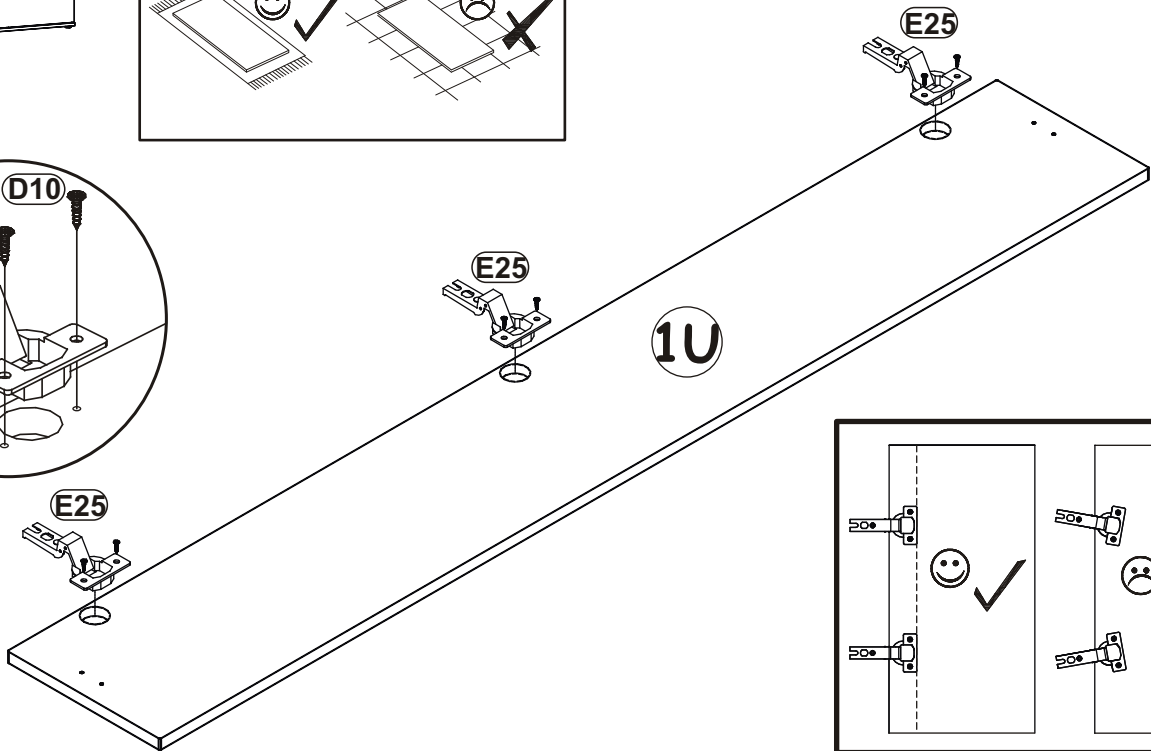
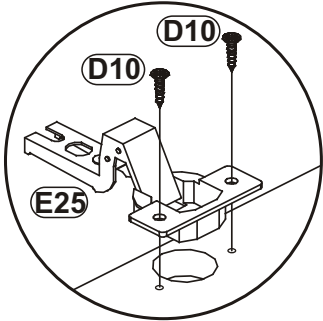
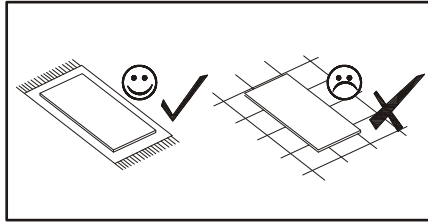
E4	
x3	H=2





SILK TYP 30

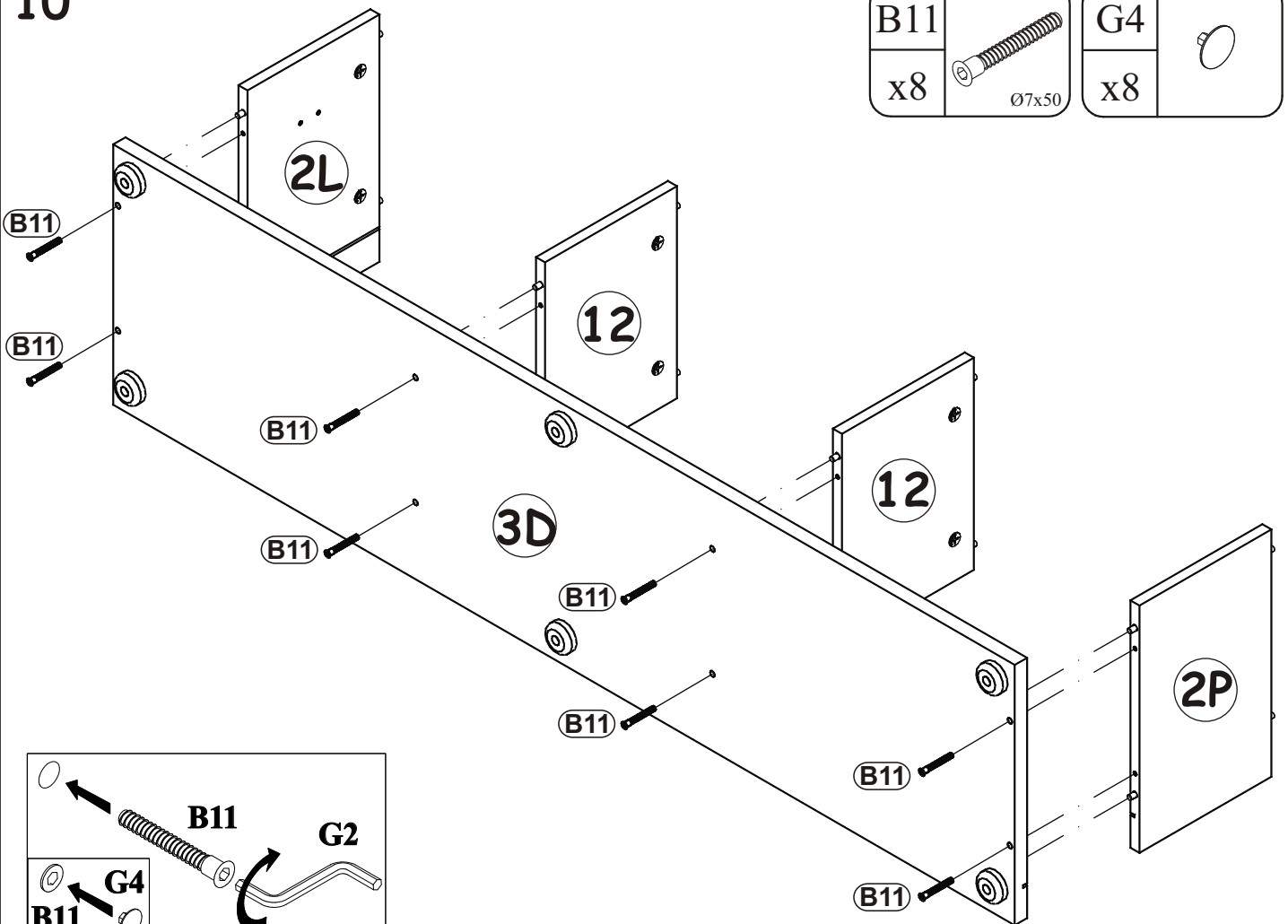
9

E25	Ø35 H=16	D10	USØ3,5x13
x3		x6	



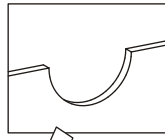
10

B11	Ø7x50	G4	
x8		x8	



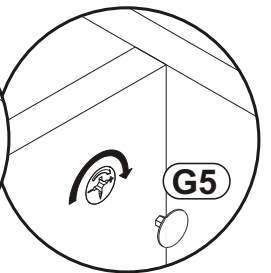
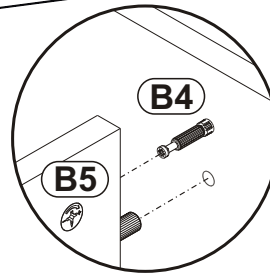
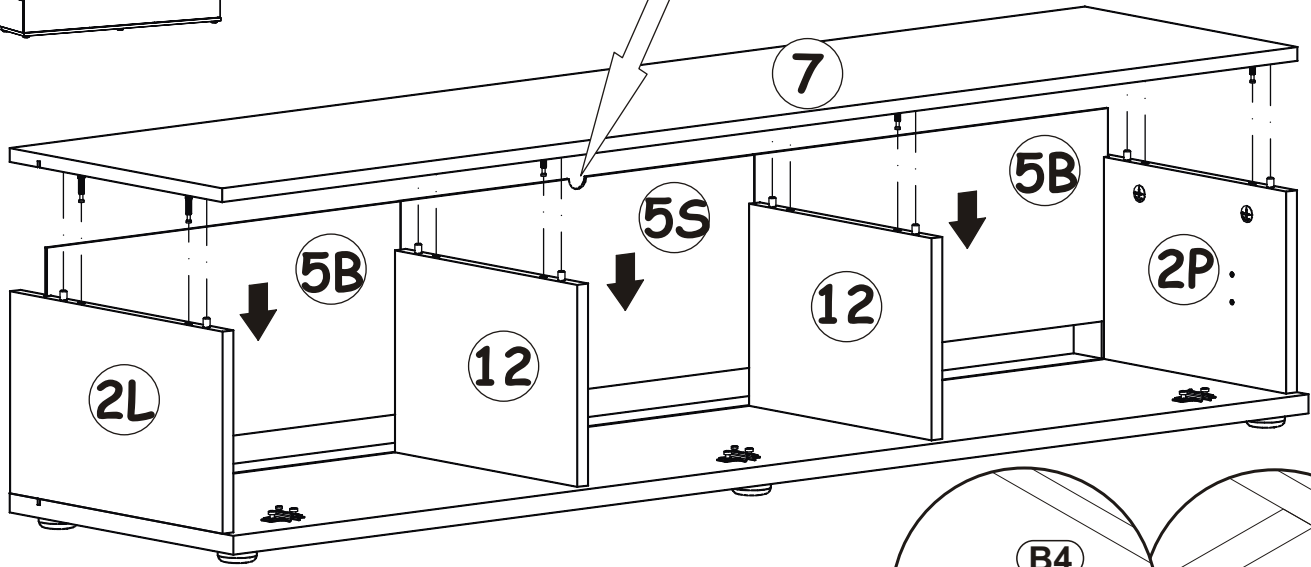
SILK TYP 30

11



G5

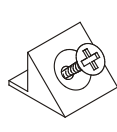
x8



12

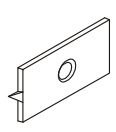
S1

x14



G16

x2



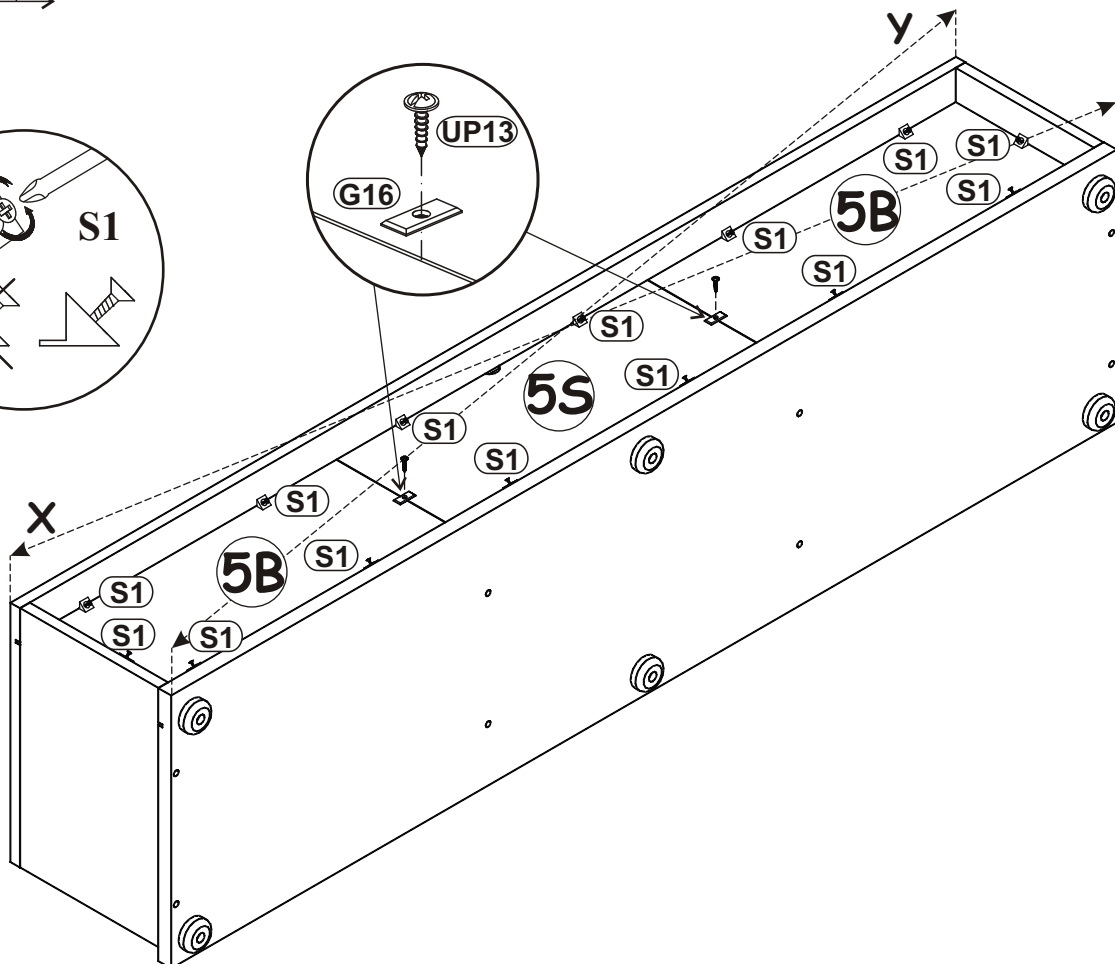
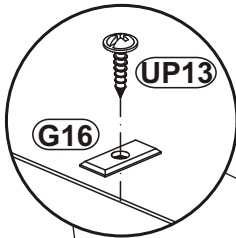
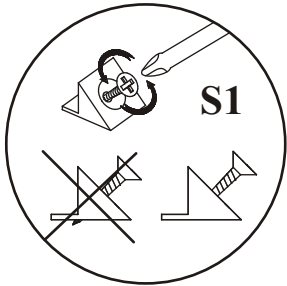
UP13

x2



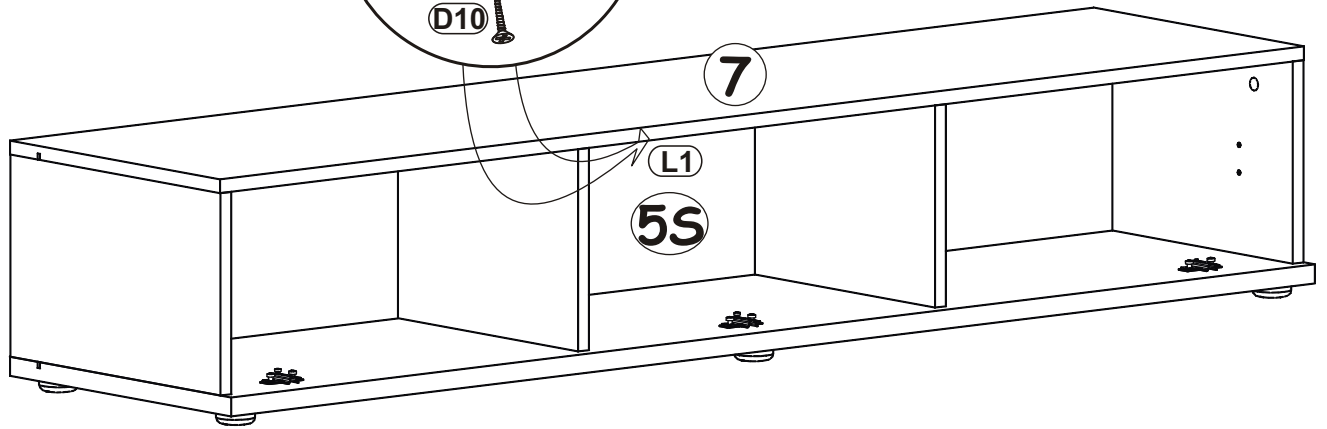
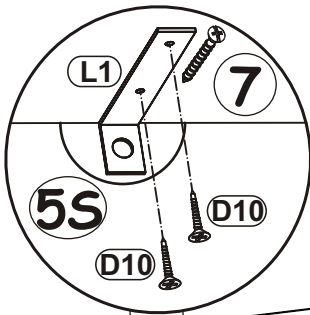
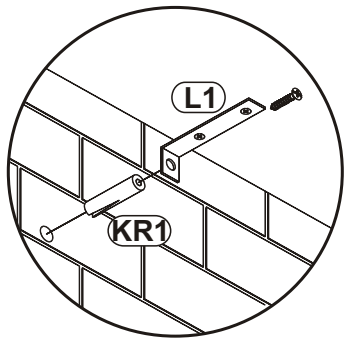
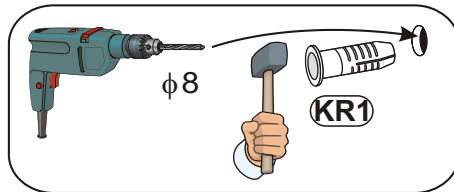
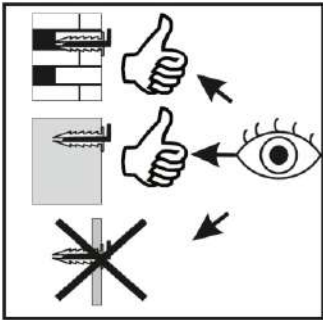
UPØ3x16

X=y 90°

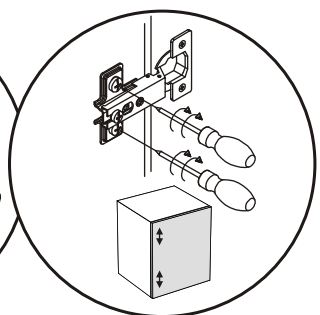
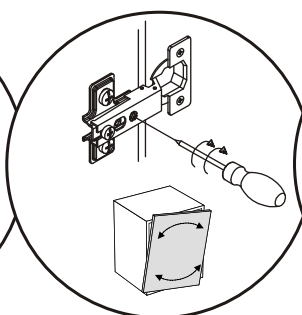
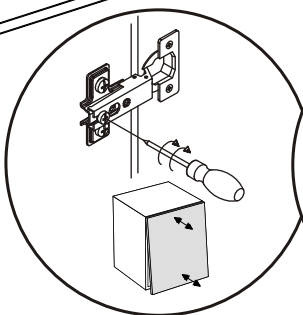
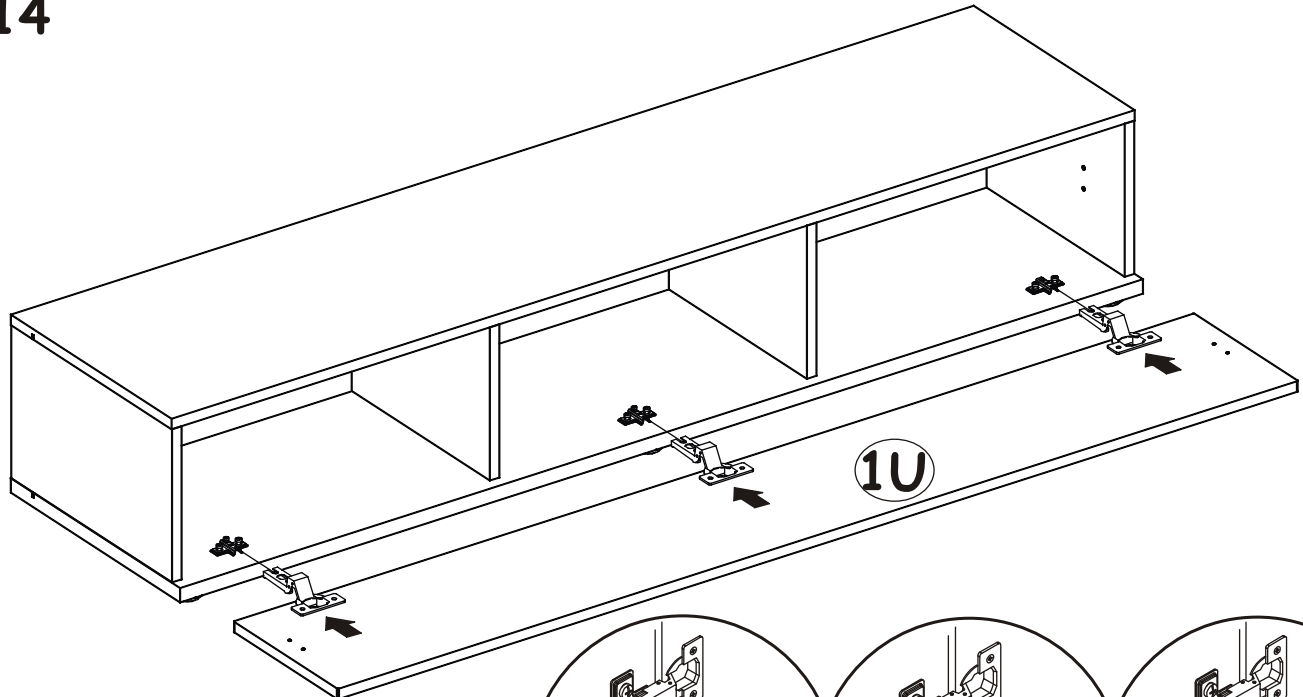


L1		KR1		D10	
x1		x1		x2	USØ3,5x13

13



14



15

