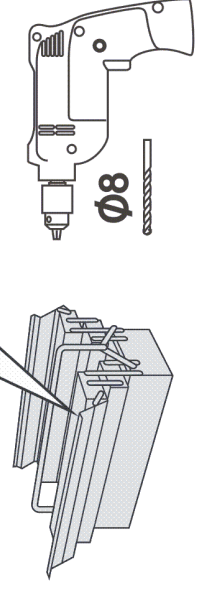
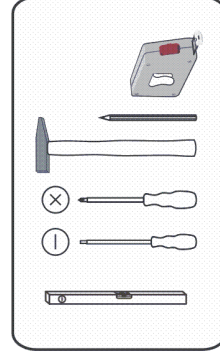
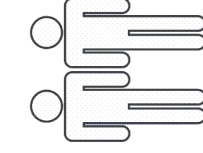
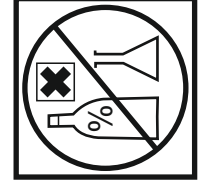
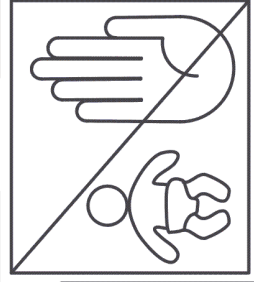
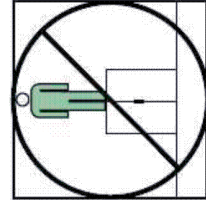
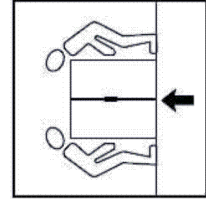
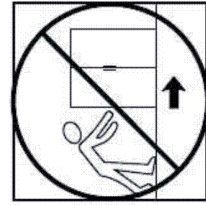
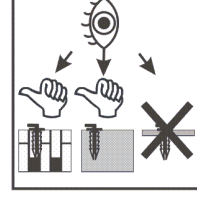
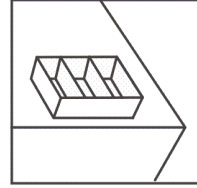
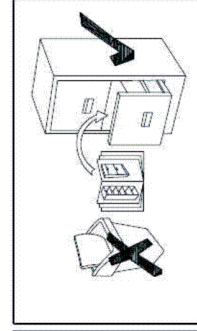
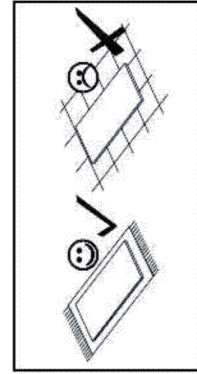
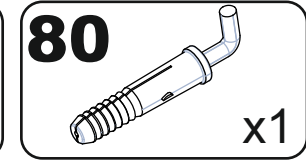
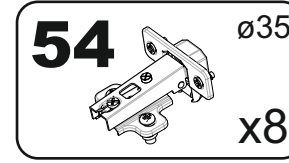
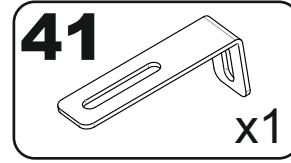
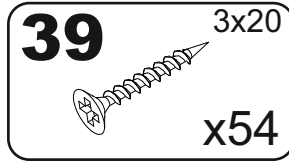
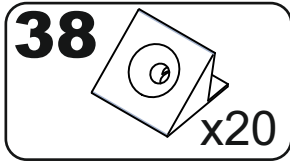
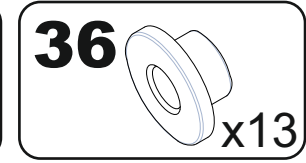
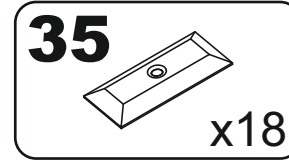
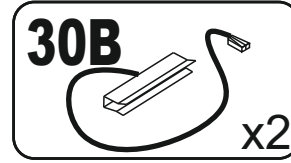
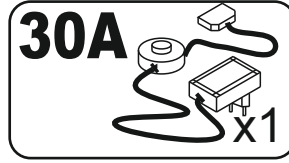
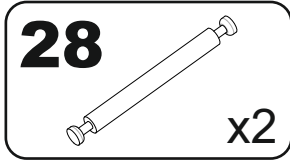
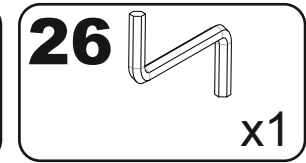
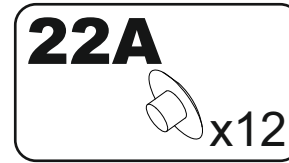
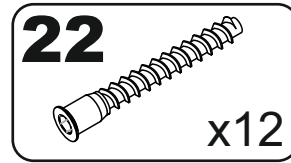
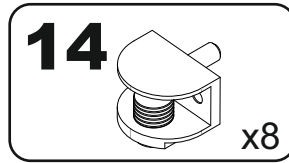
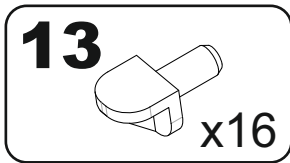
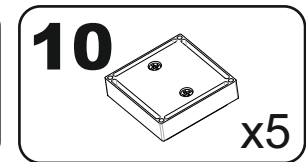
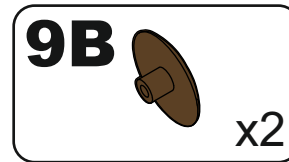
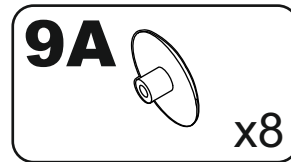
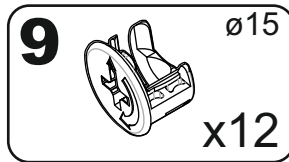
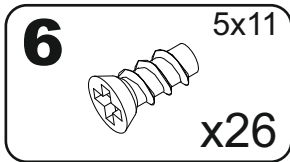
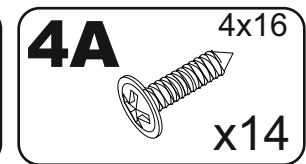
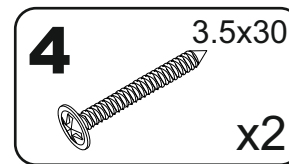
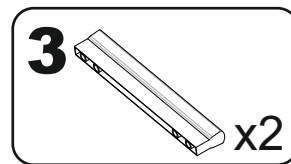
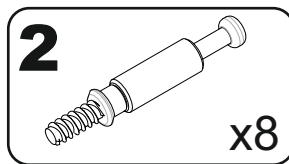
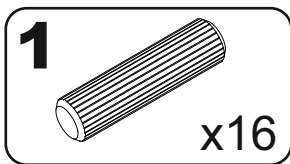
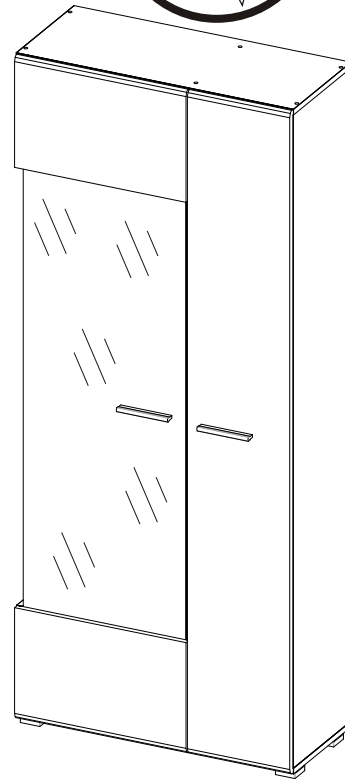
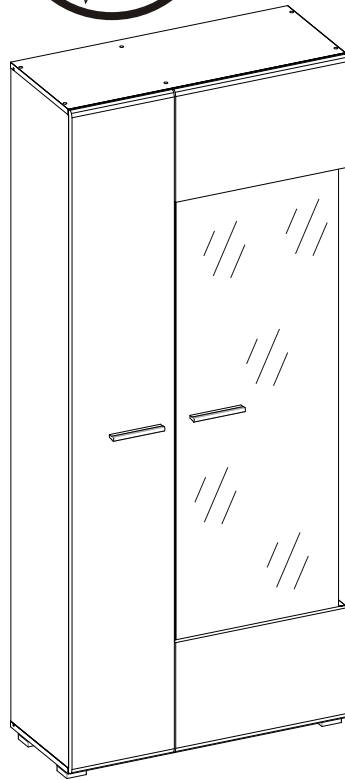
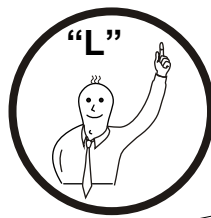
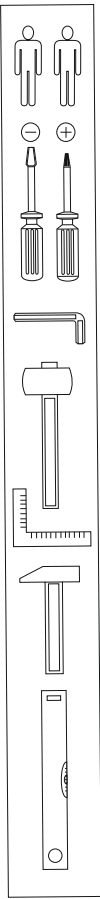
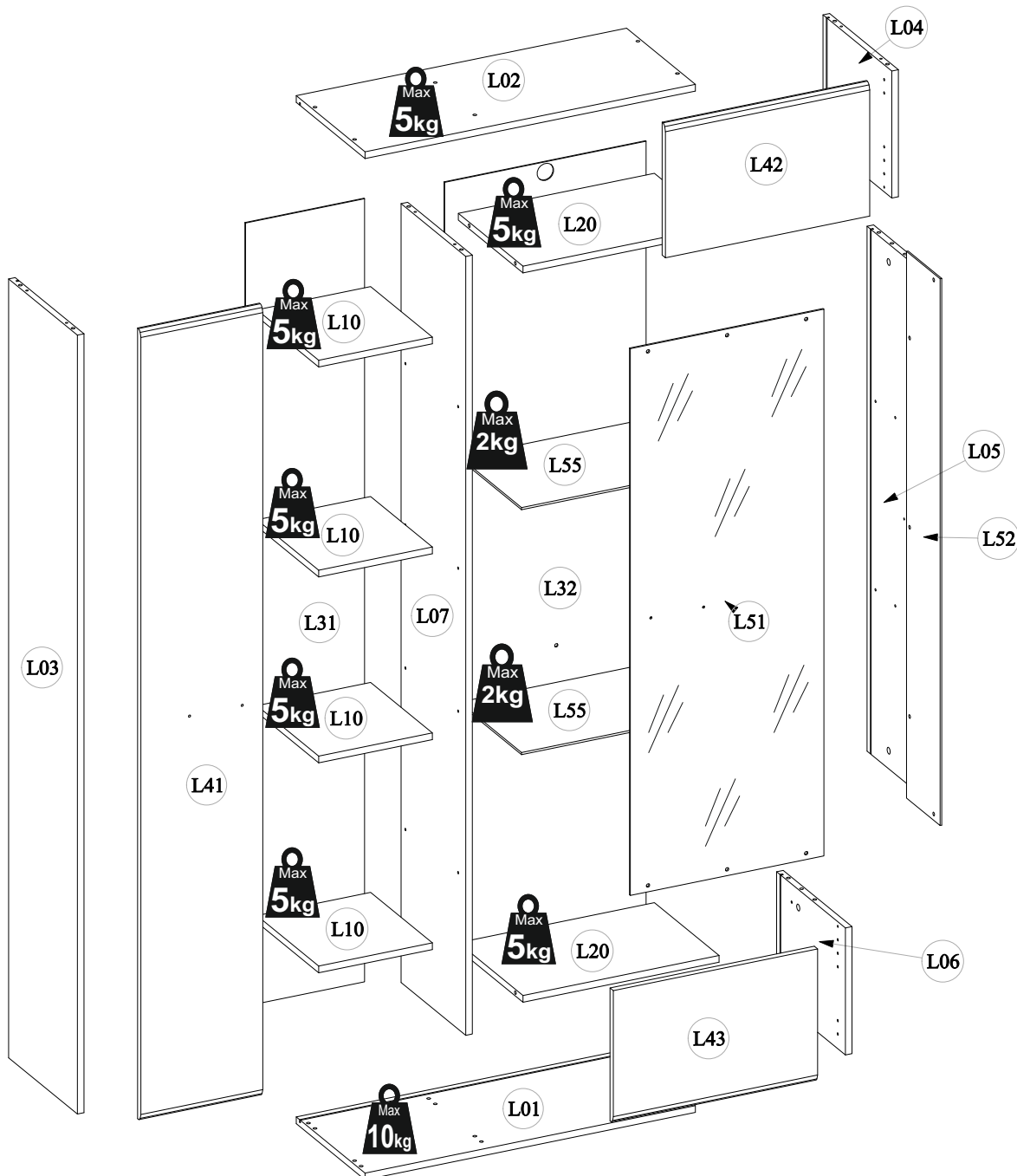
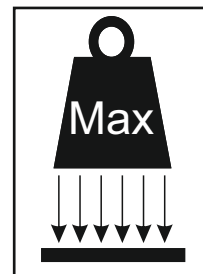


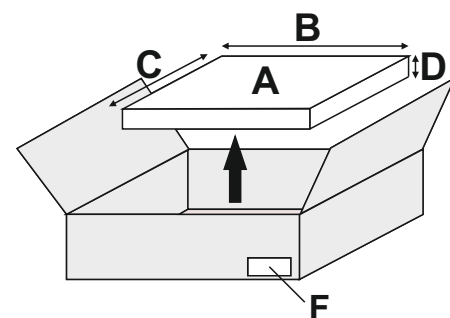
180 min



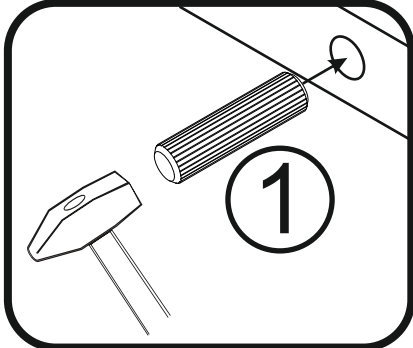
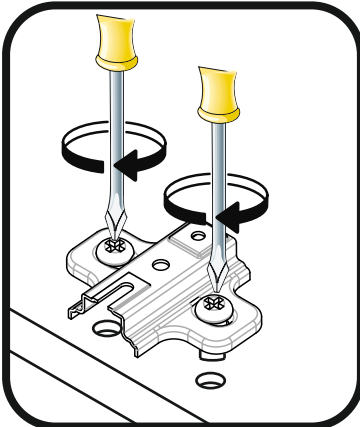
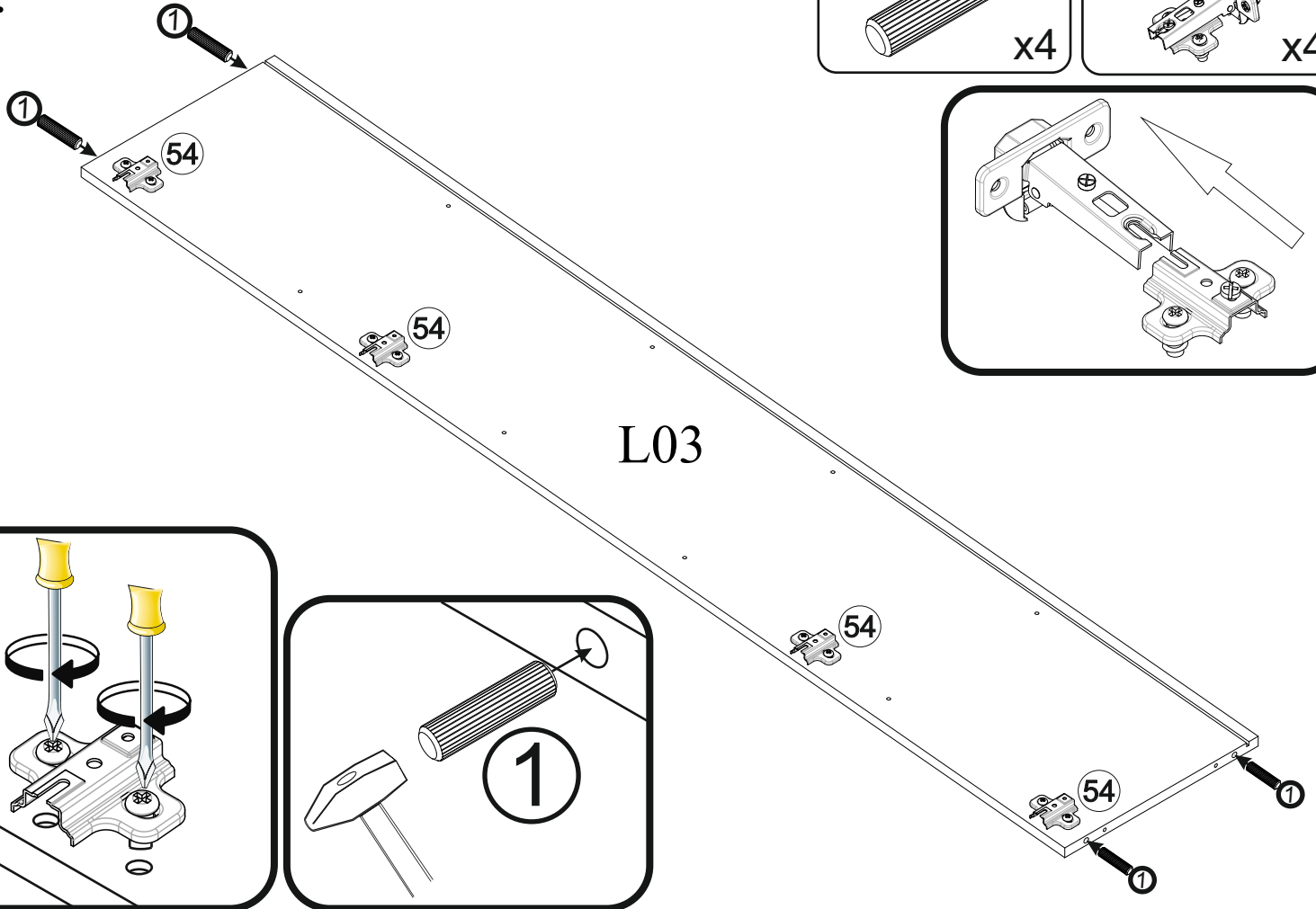
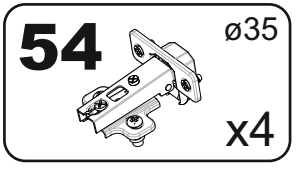
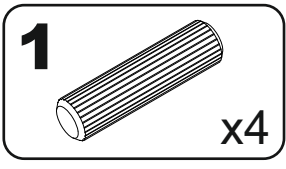




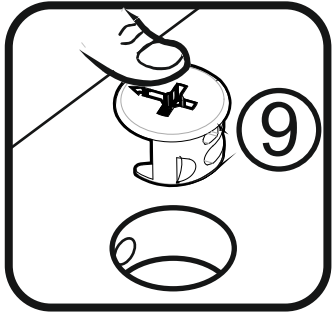
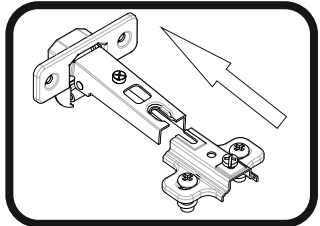
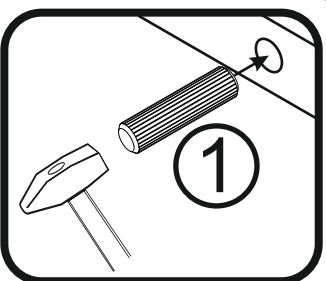
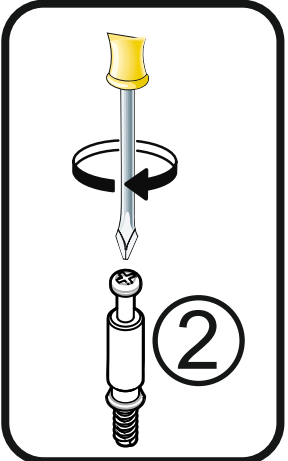
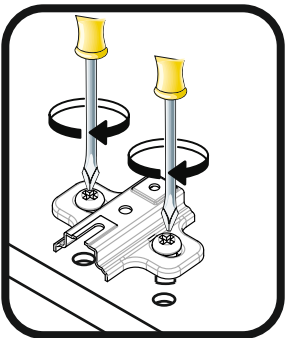
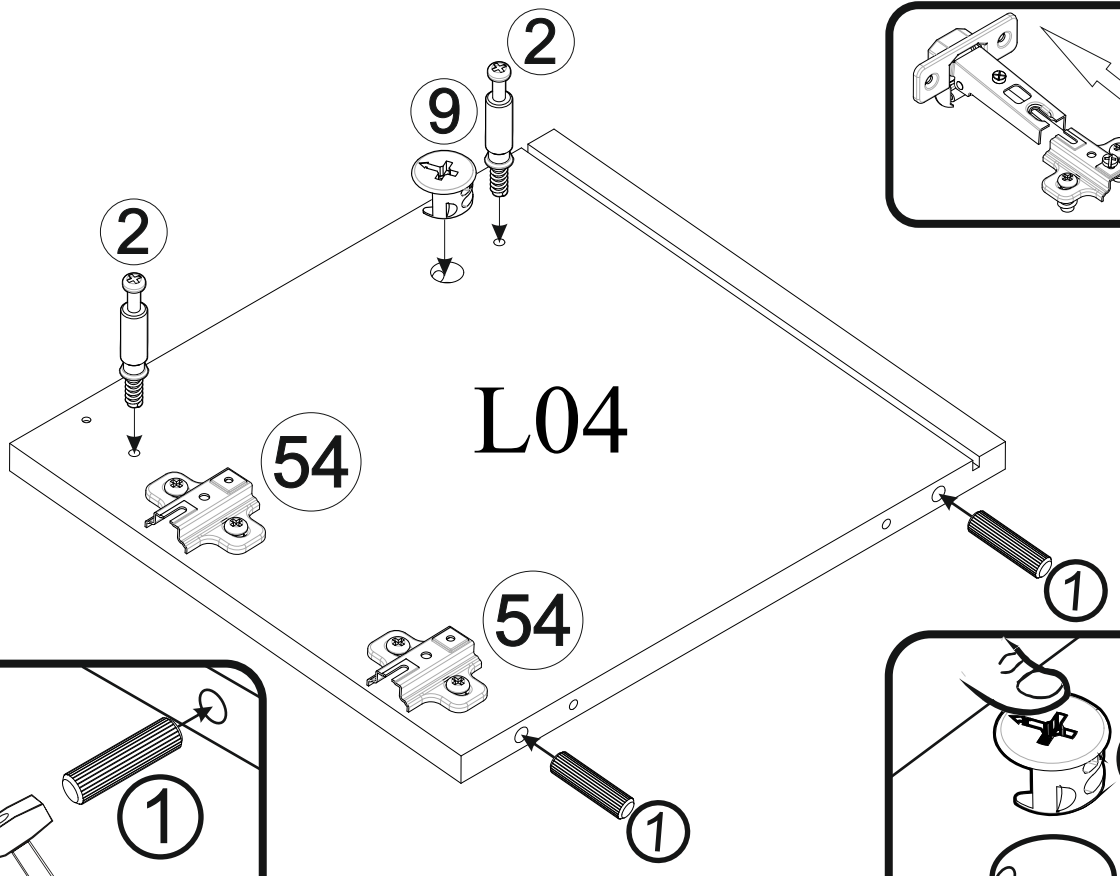
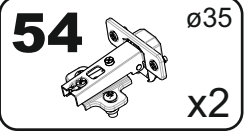
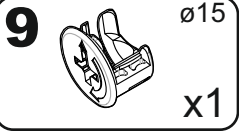
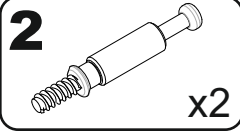
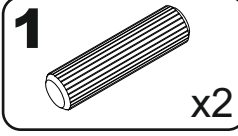
A	B (mm)	C (mm)	D (mm)	E	F
L01	802	334	16	1	1 2
L02	802	334	16	1	1 2
L03	1852	334	16	1	1 2
L04	302	334	16	1	1 2
L05	1248	195	16	1	1 2
L06	302	334	16	1	1 2
L07	1852	314	16	1	1 2
L10	276	300	16	4	1 2
L20	476	314	16	2	2 2
L31	1862	289	3	1	2 2
L32	1862	489	3	1	2 2
L41	1880	296	16	1	2 2
L42	316	496	16	1	2 2
L43	316	496	16	1	2 2
L51	1300	470	4	1	2 2
L52	1300	163	4	1	2 2
L55	467	300	5	2	1 2



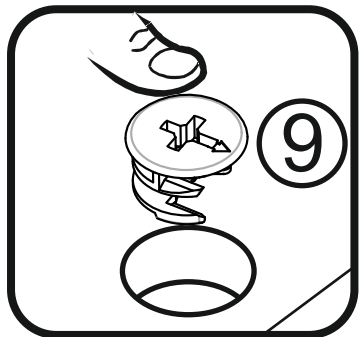
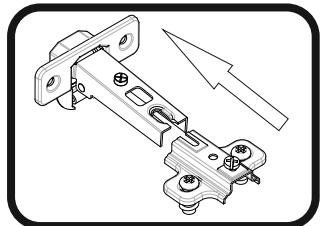
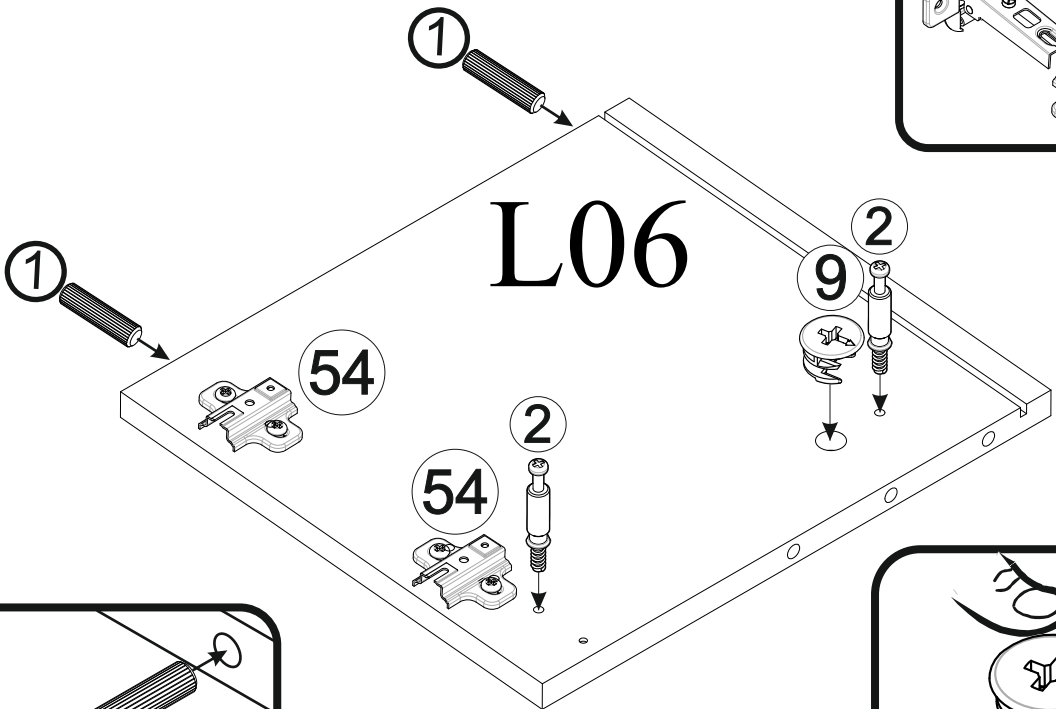
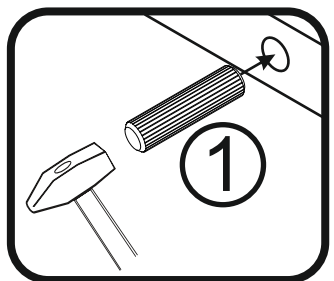
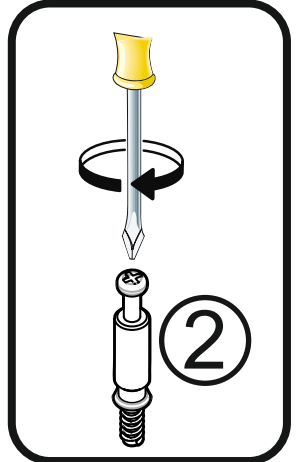
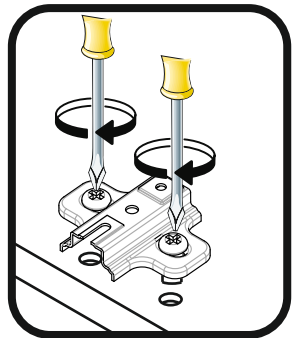
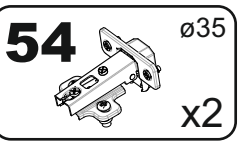
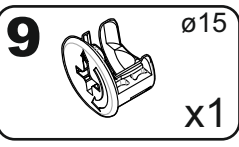
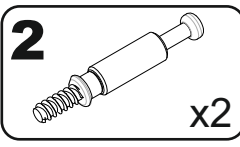
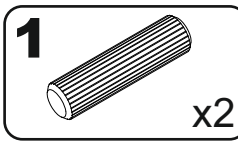
# 1



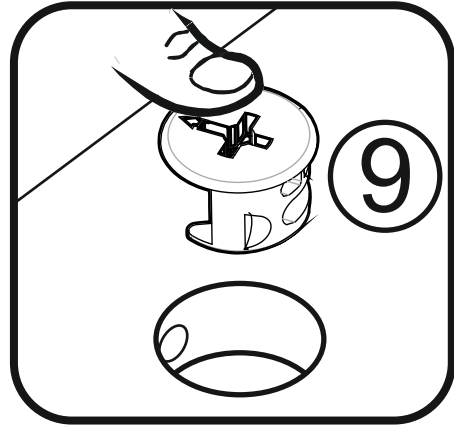
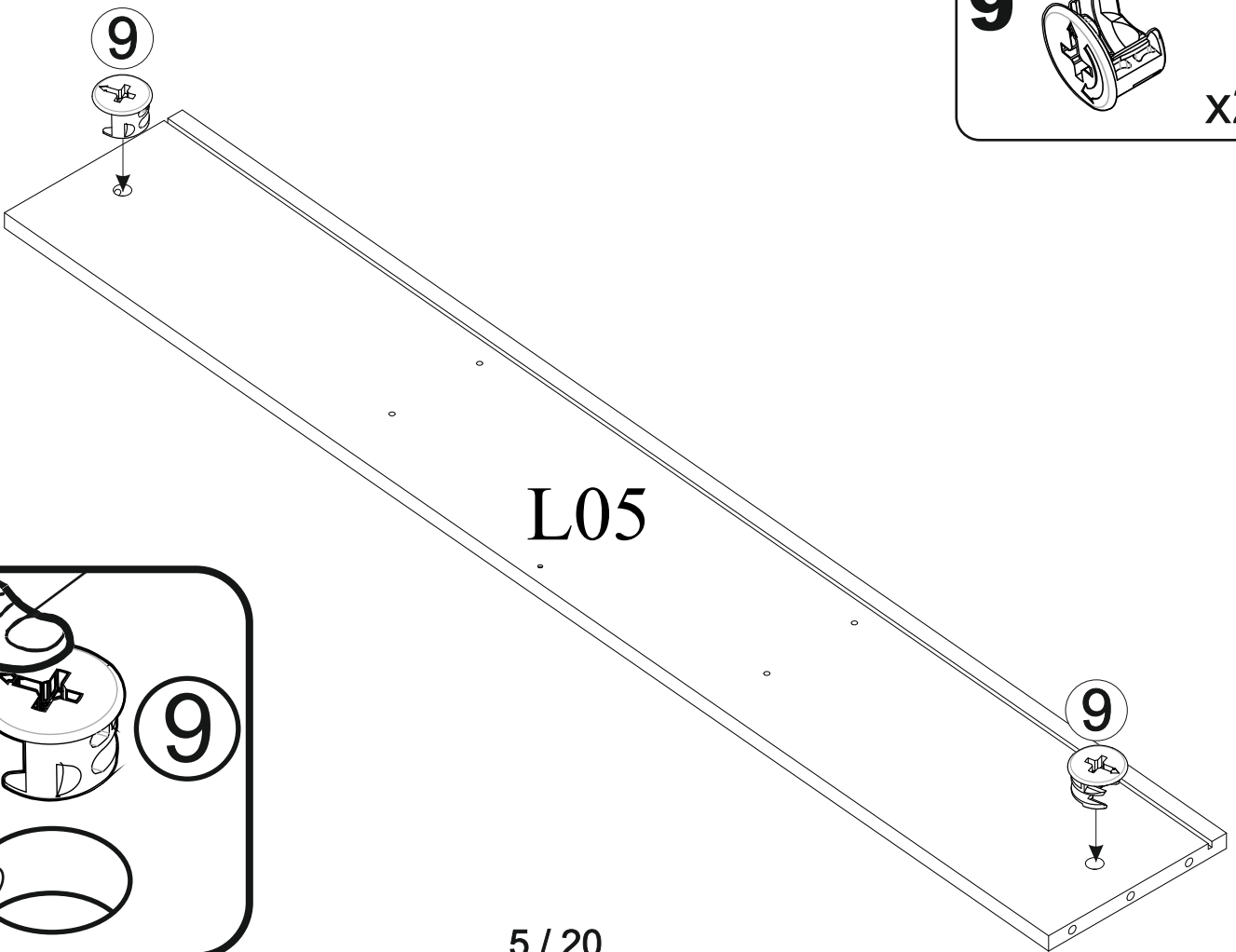
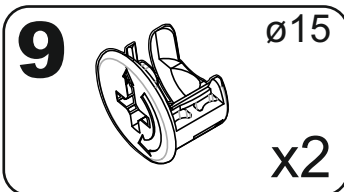
# 2



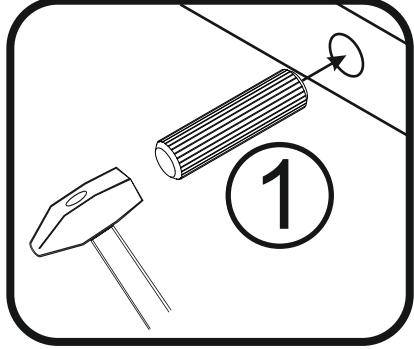
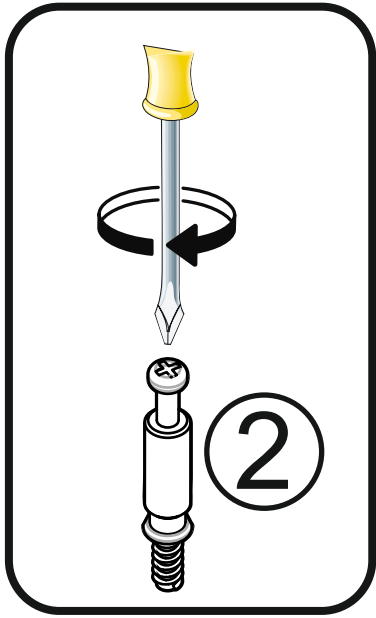
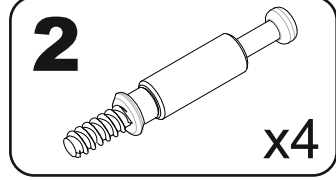
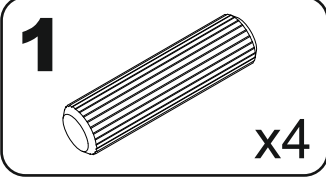
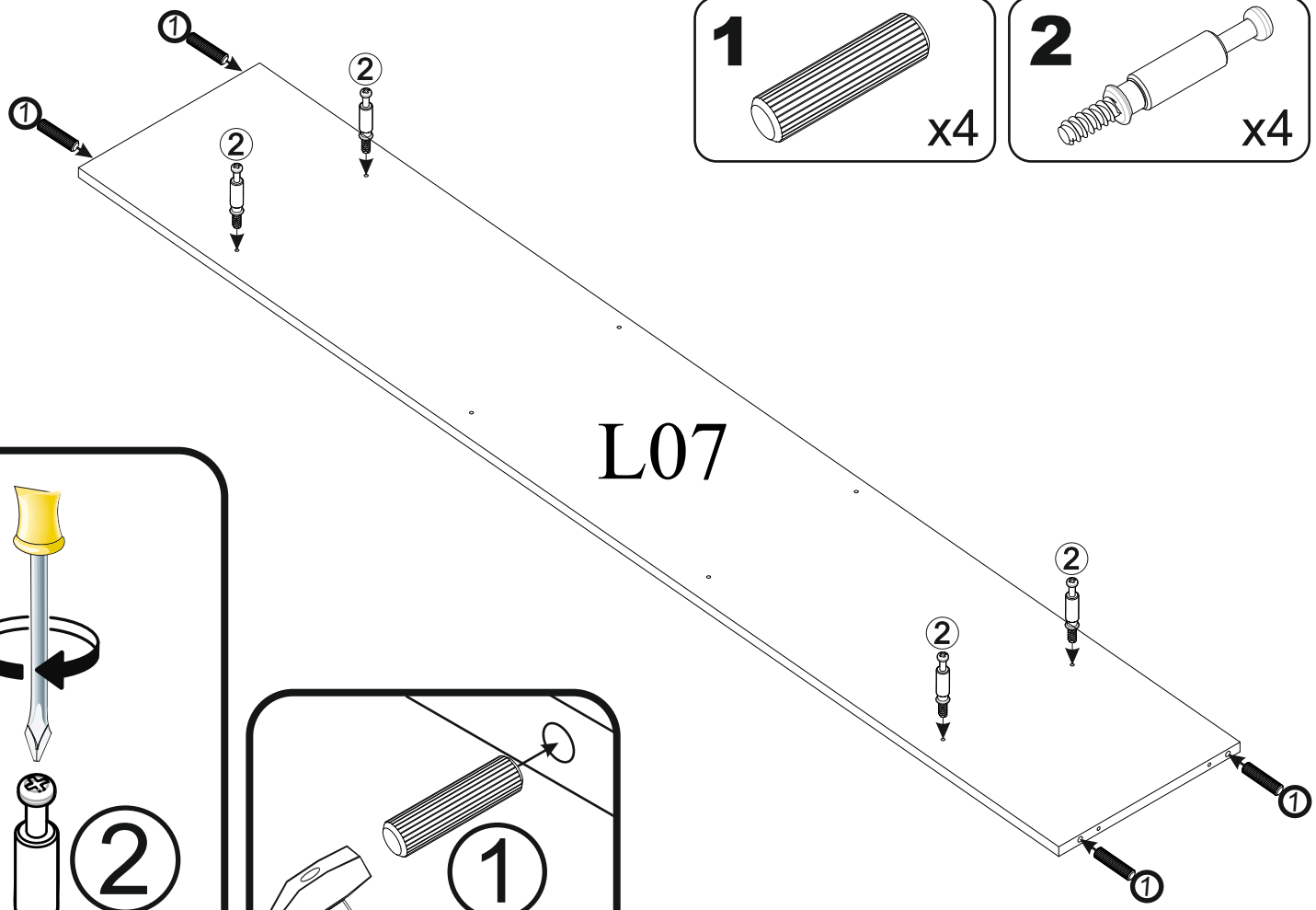
# 3



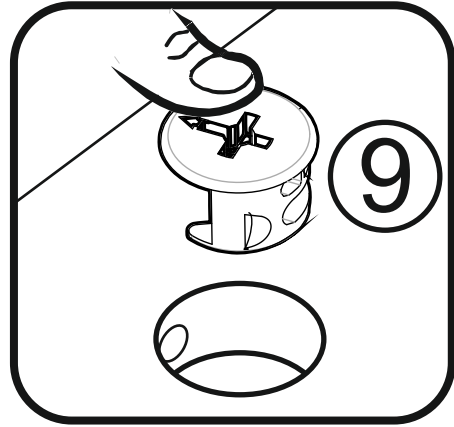
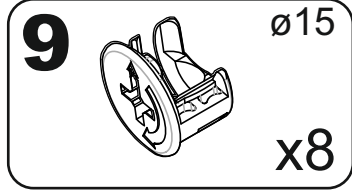
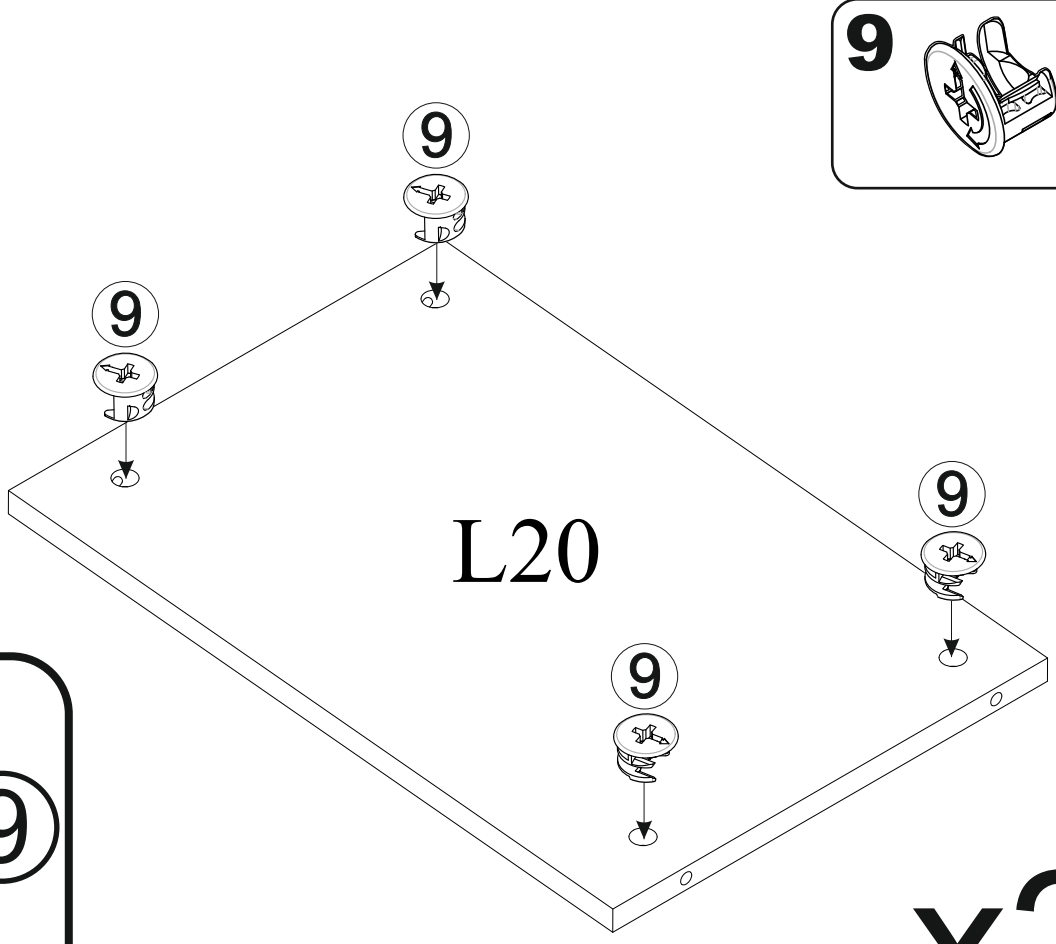
# 4



5



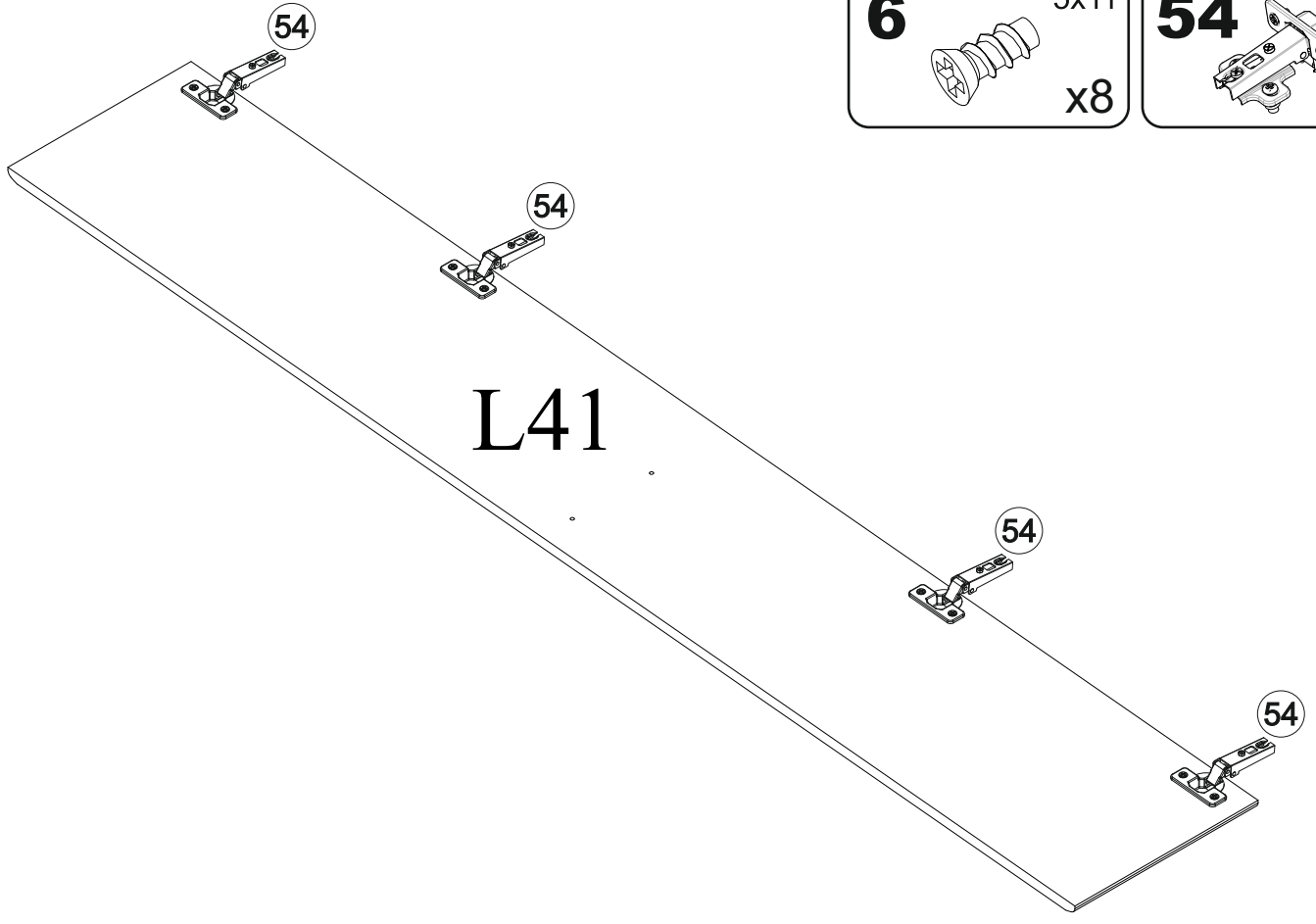
6



x2

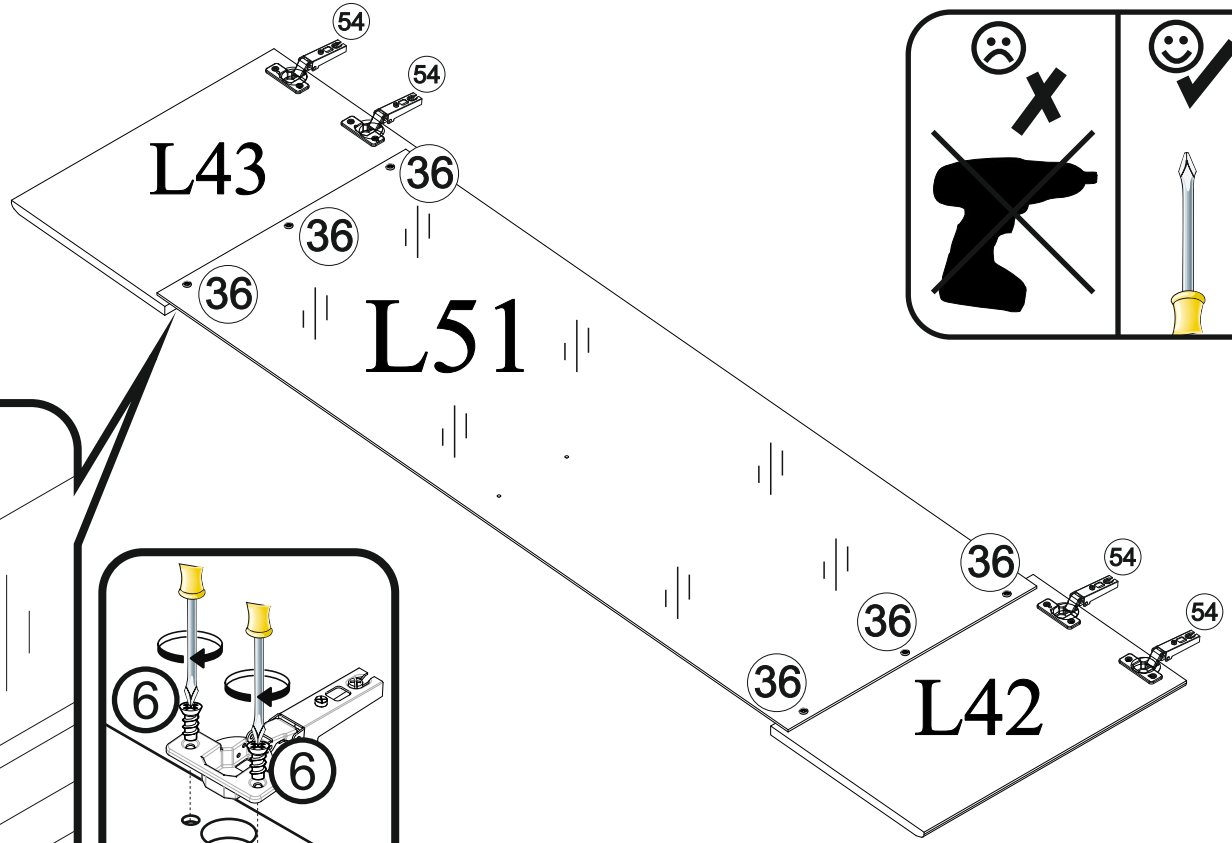
7

<b>6</b>	5x11	<b>54</b>	ø35
	x8		x4

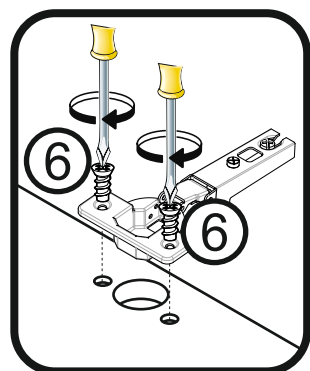
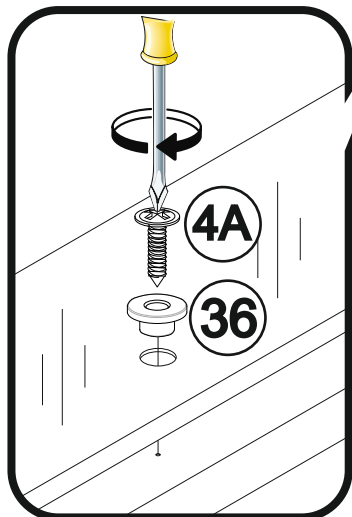


8

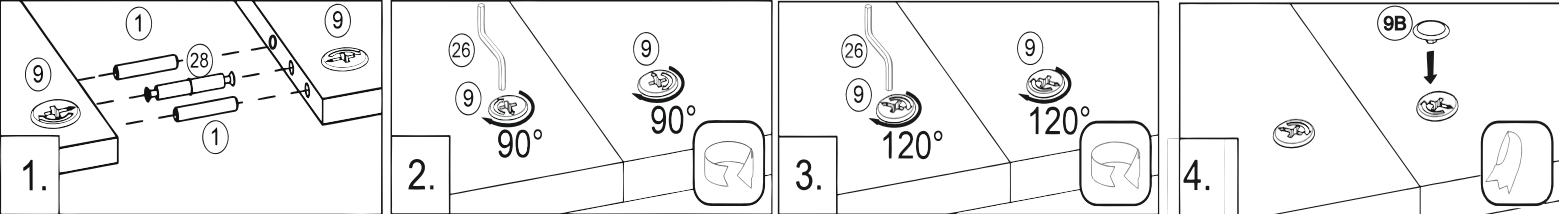
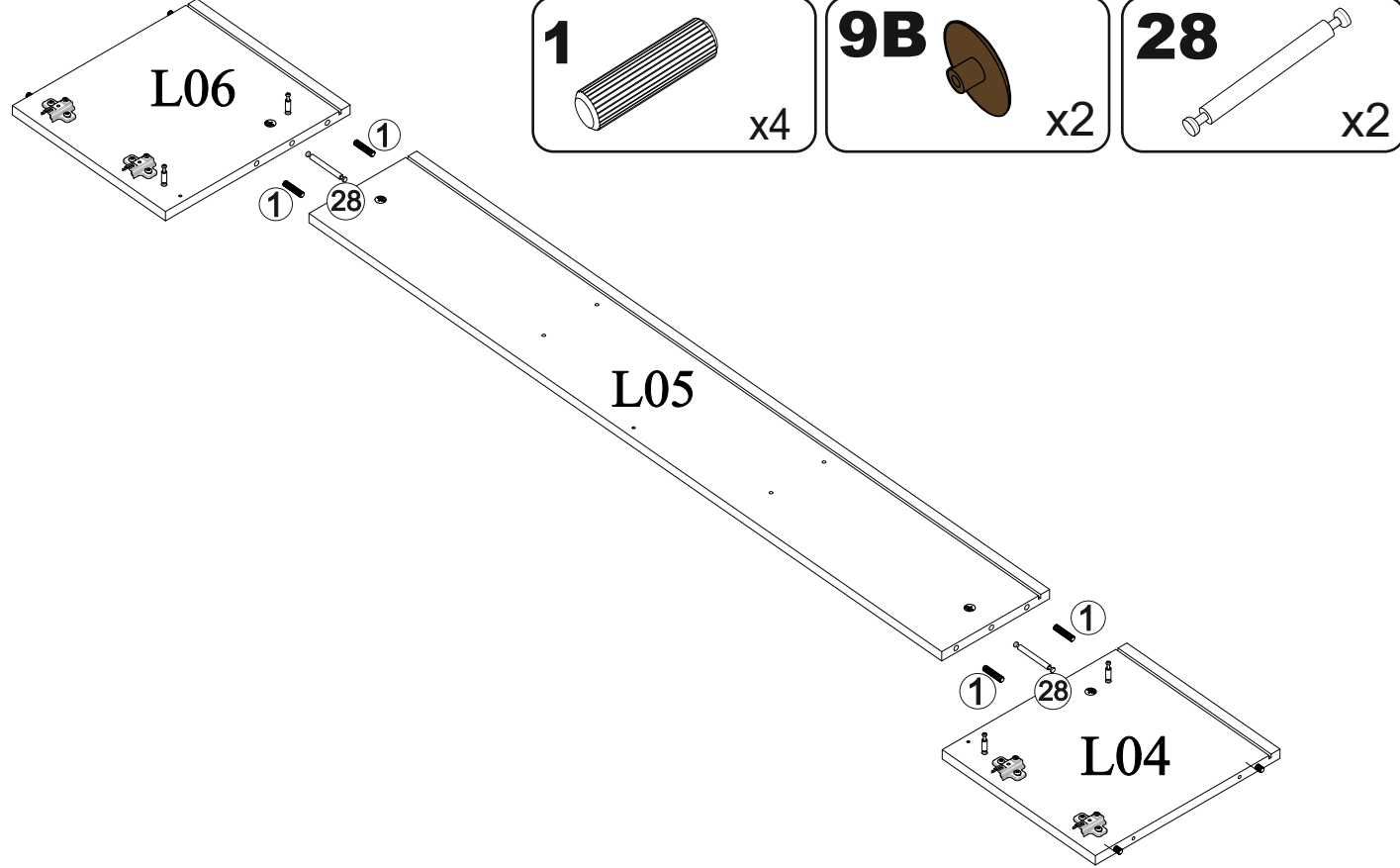
<b>4A</b>	4x16	<b>6</b>	5x11	<b>36</b>	<b>54</b>	ø35
	x6		x8			x6



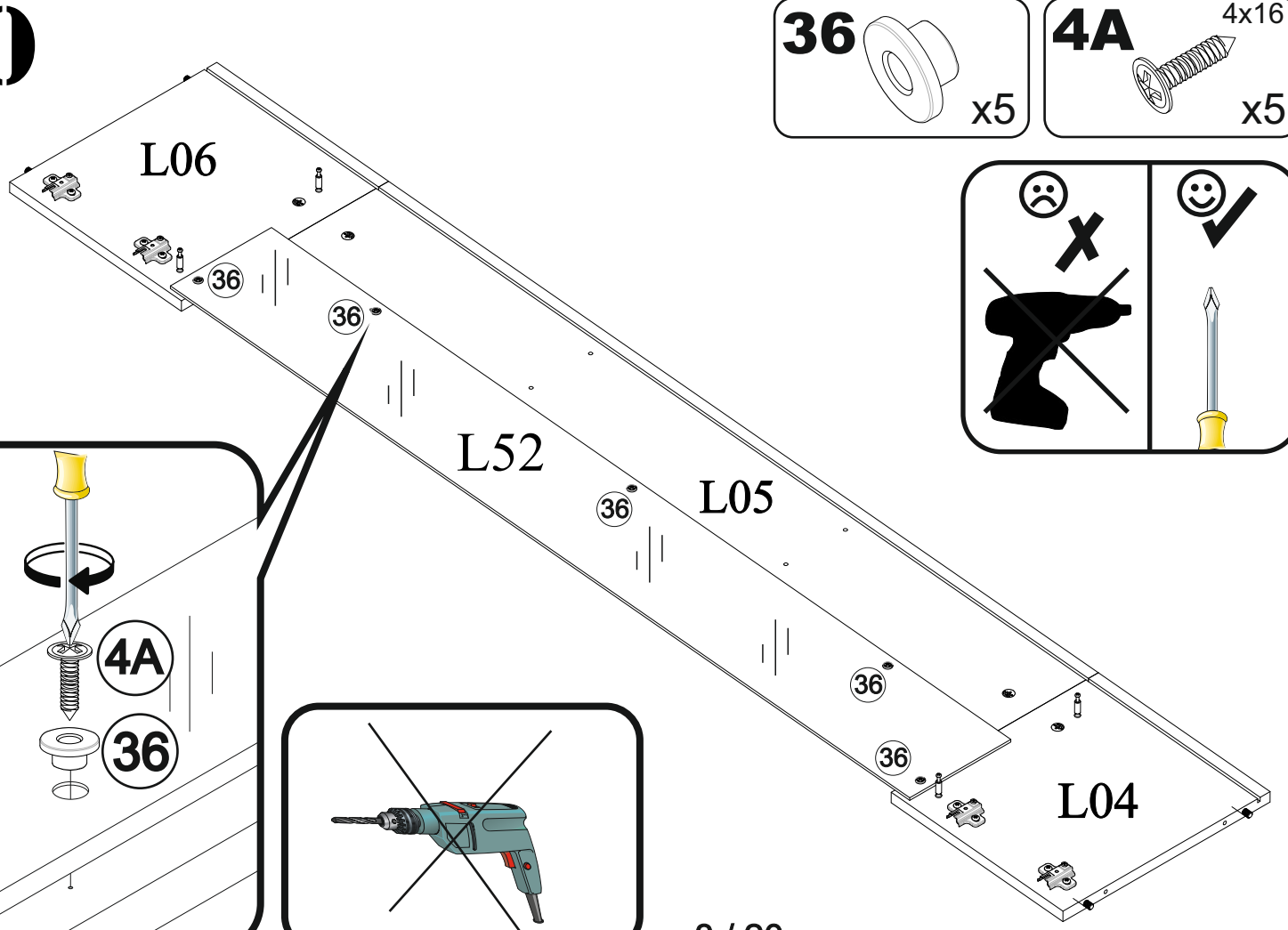
--	--



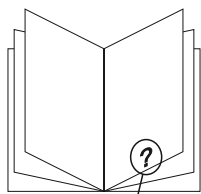
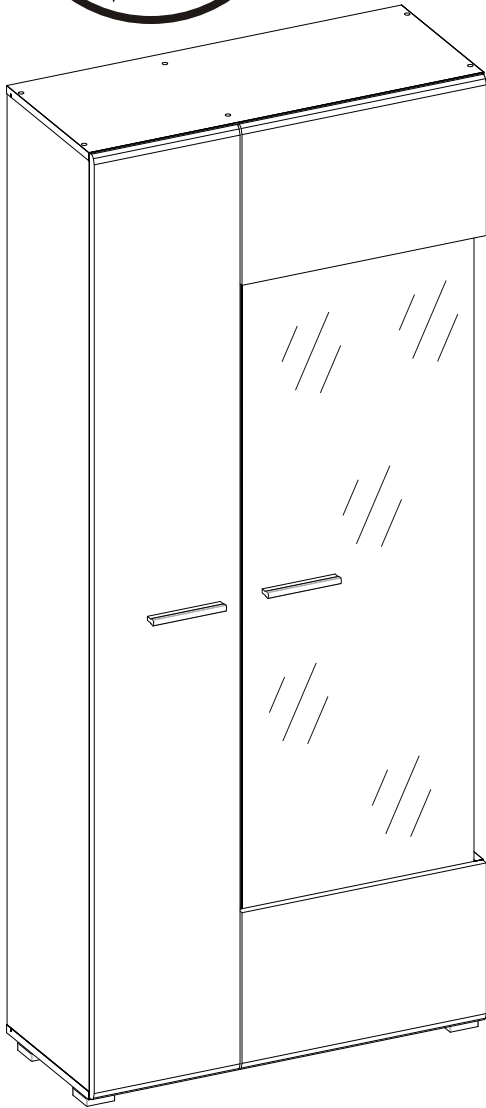
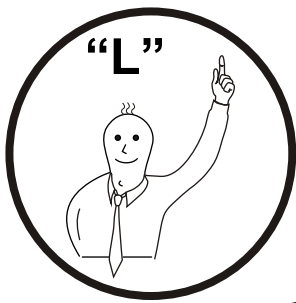
# 9



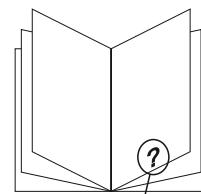
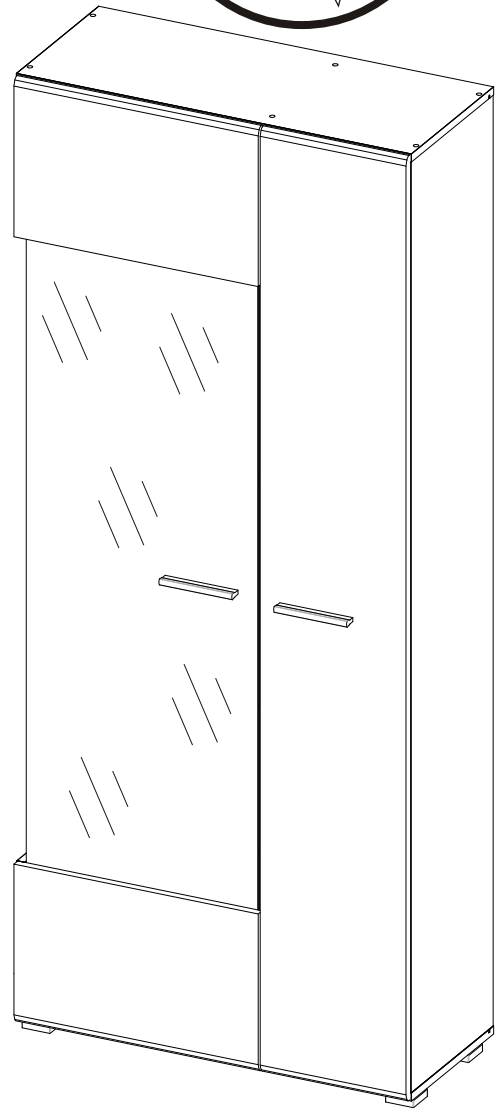
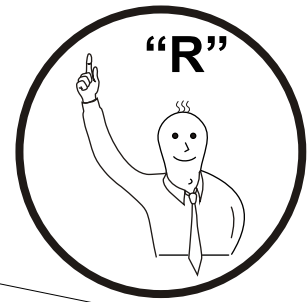
# 10





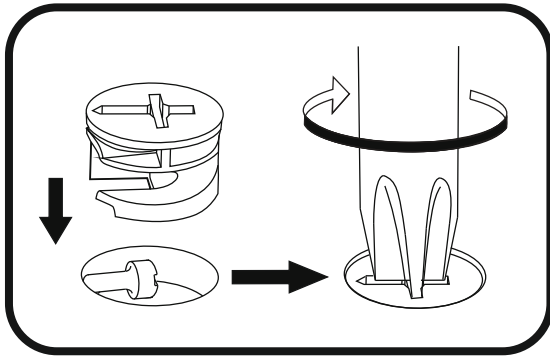
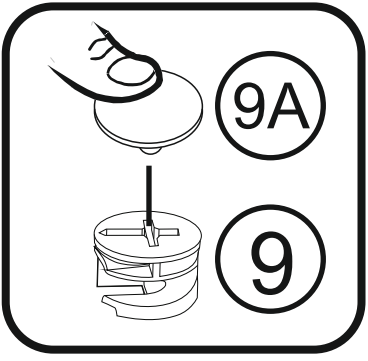
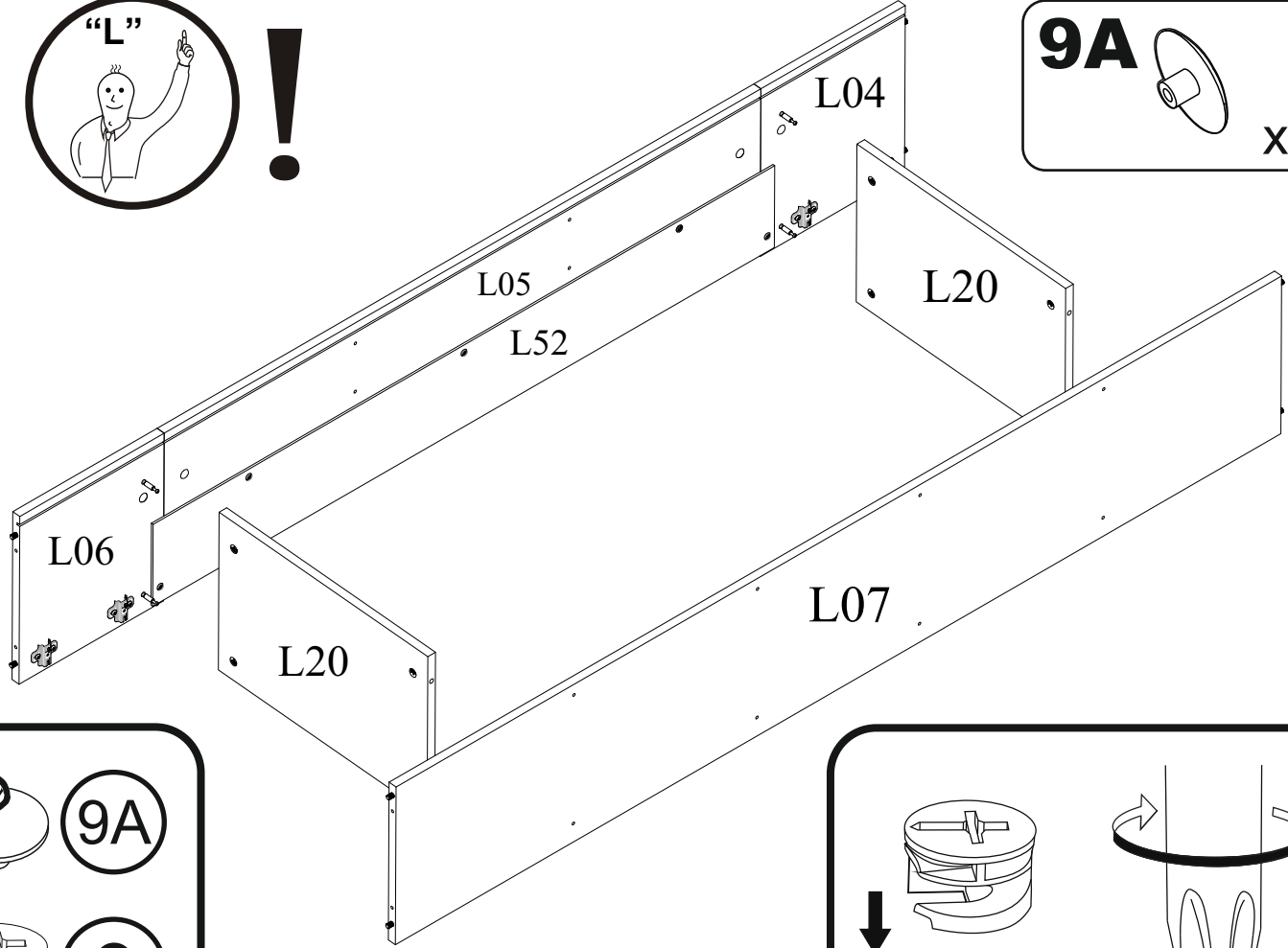
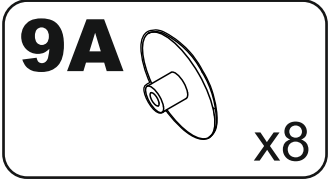


10-14

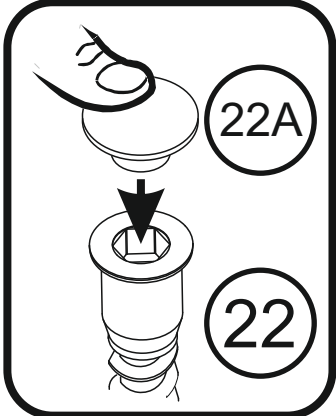
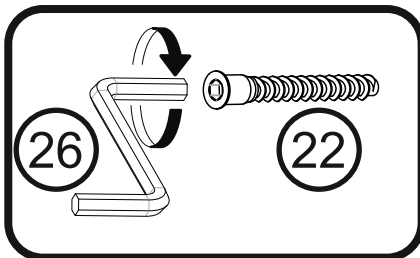
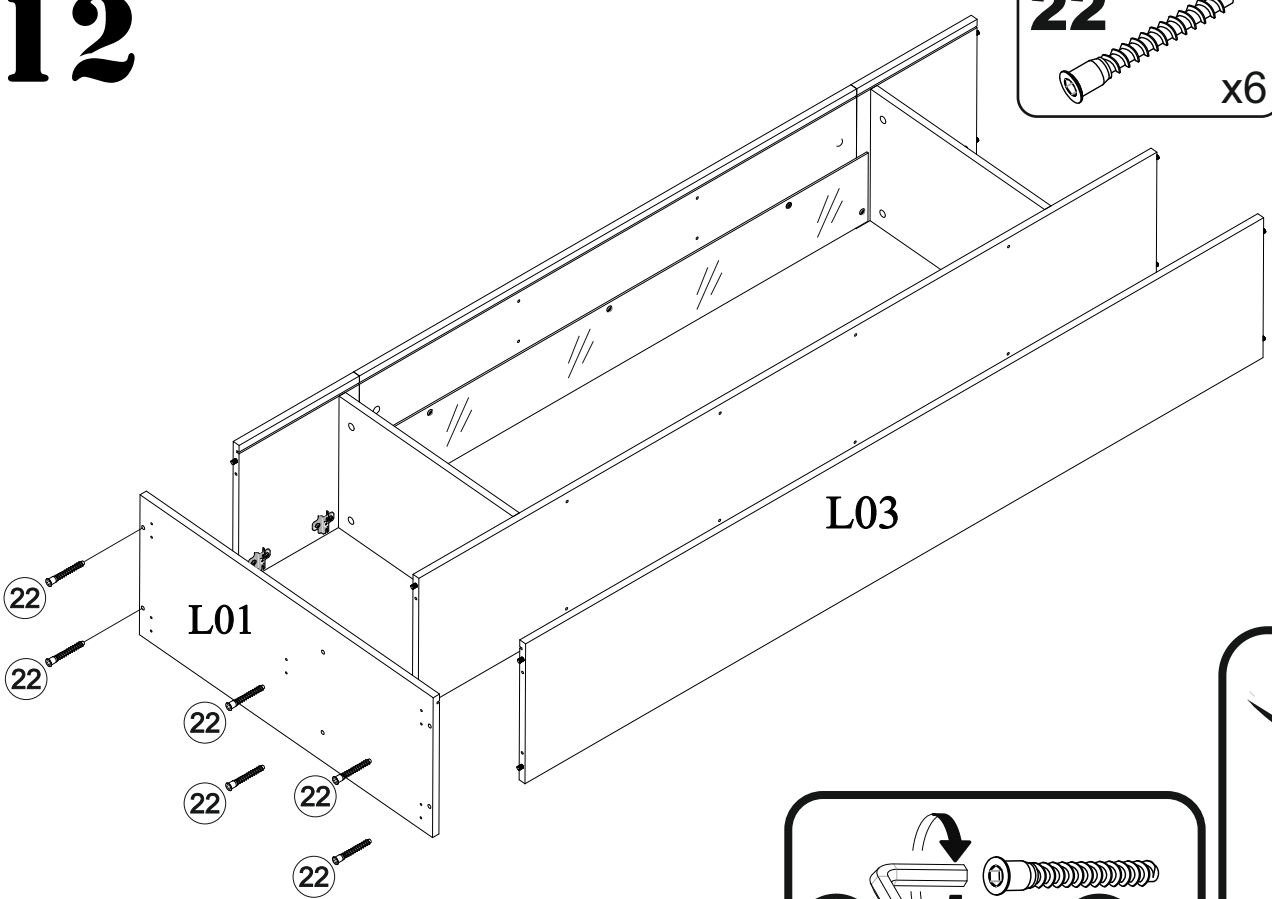
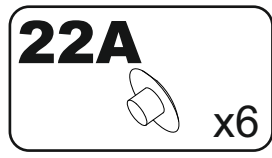
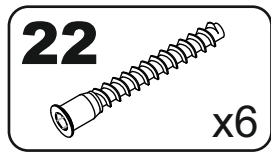


15-19

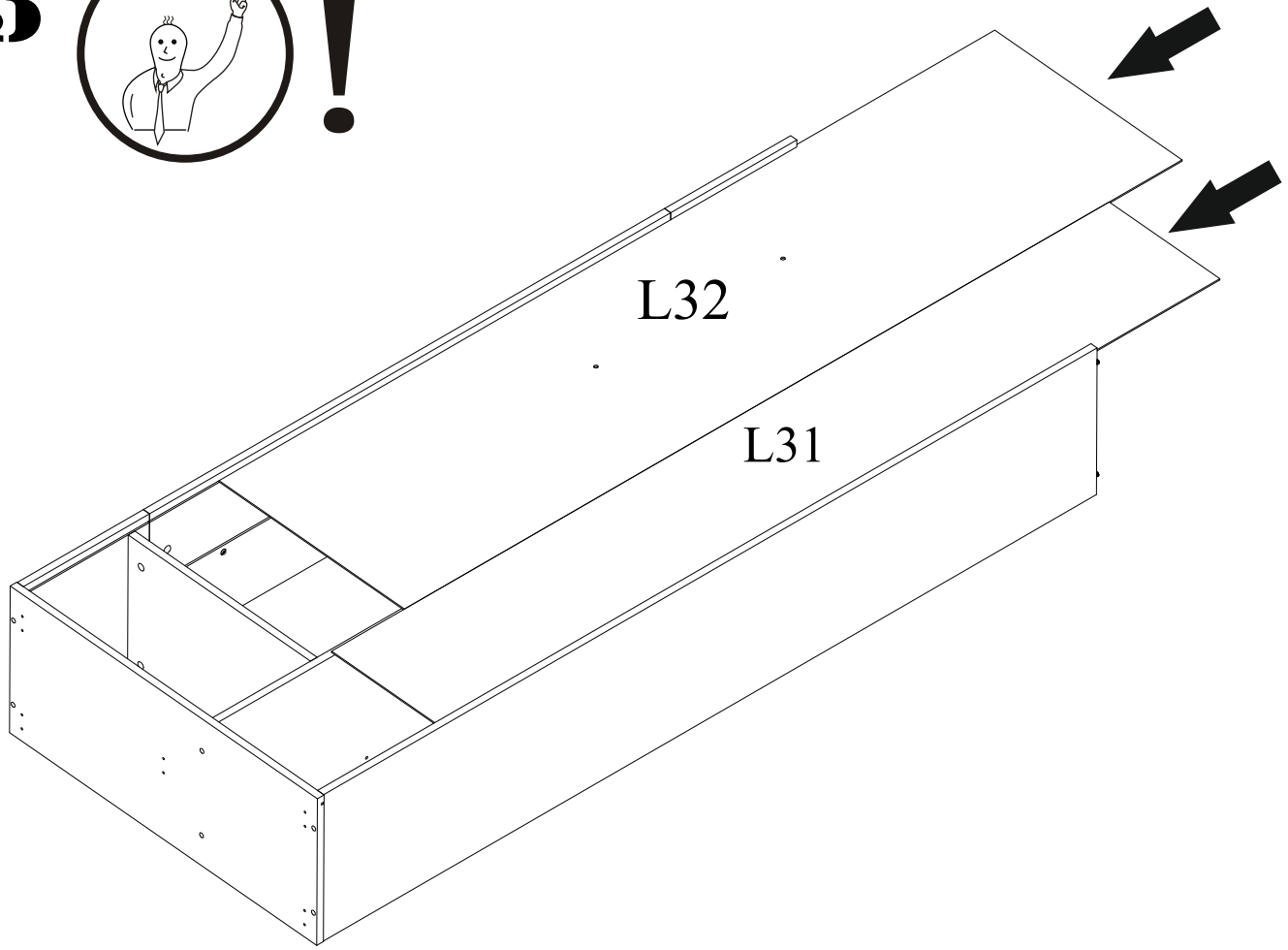
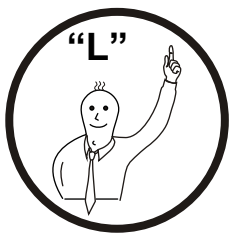
# 11



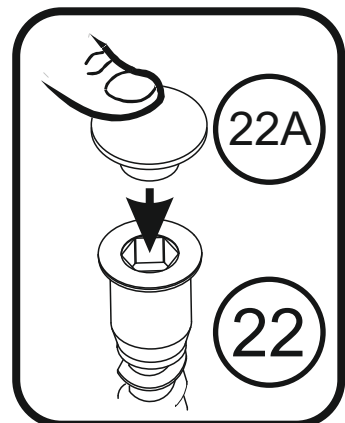
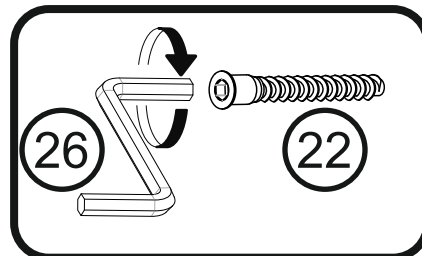
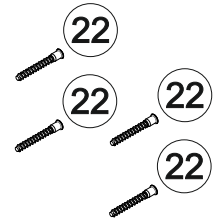
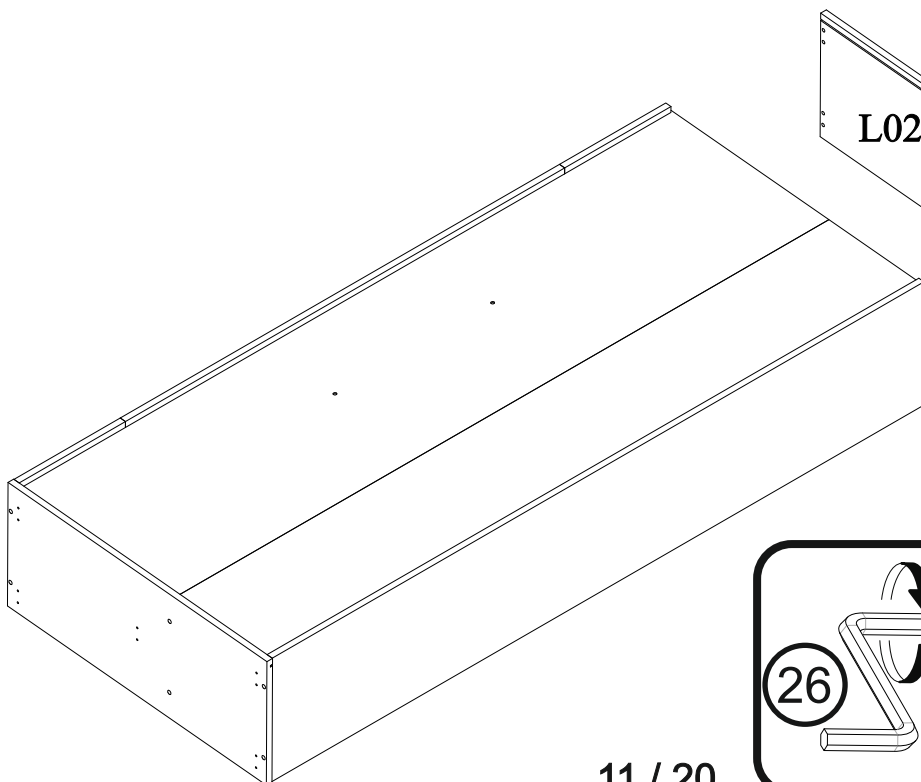
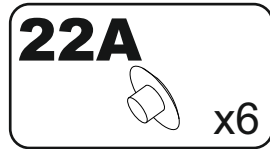
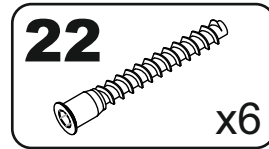
# 12



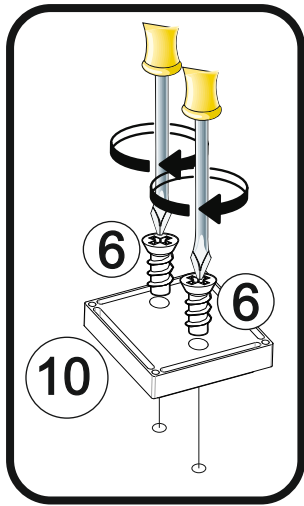
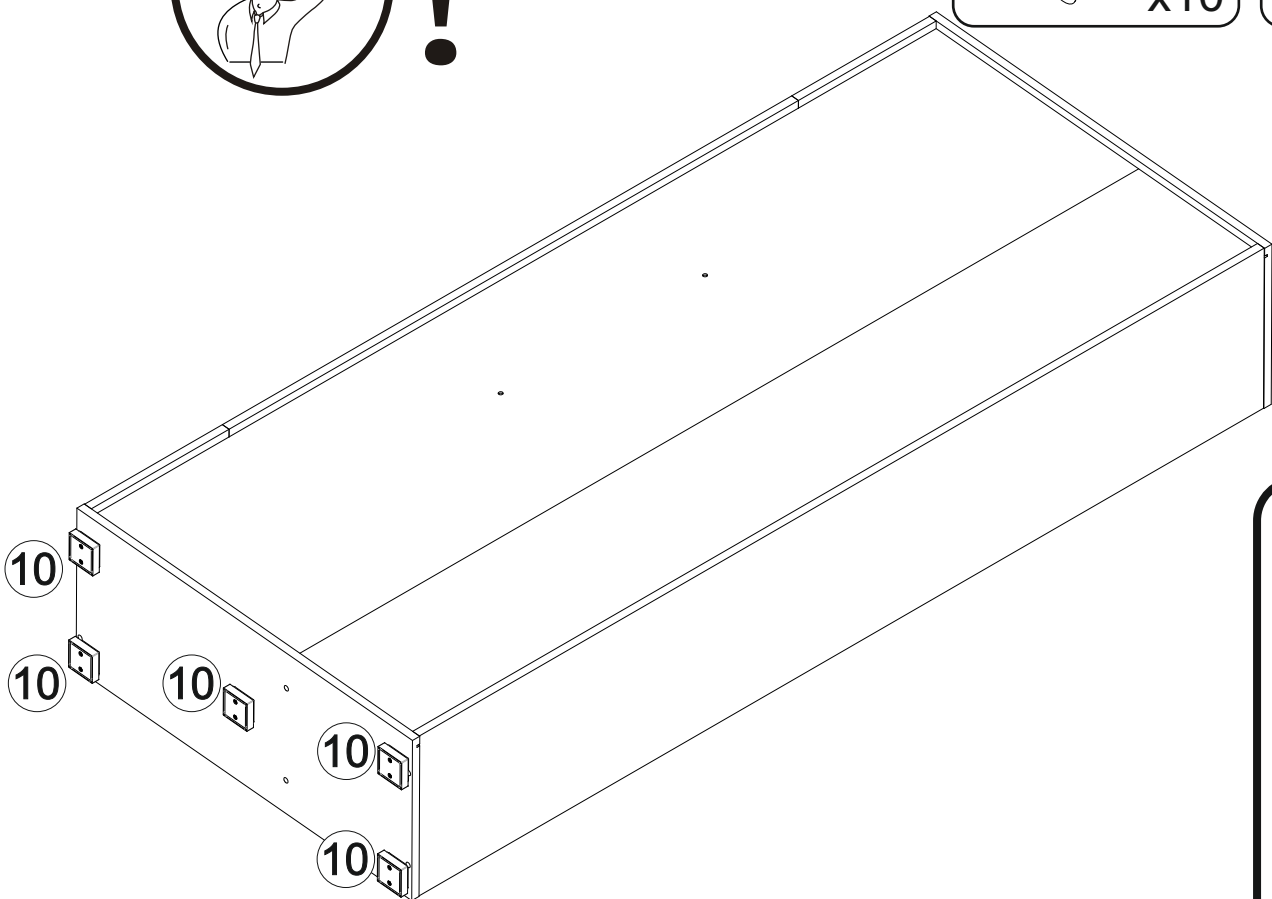
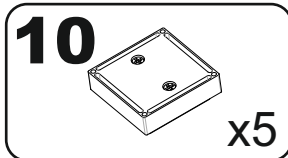
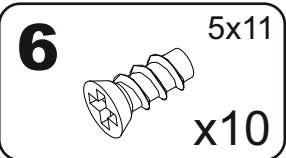
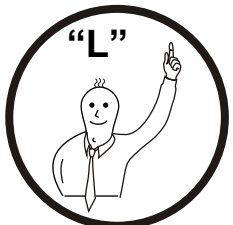
# 13



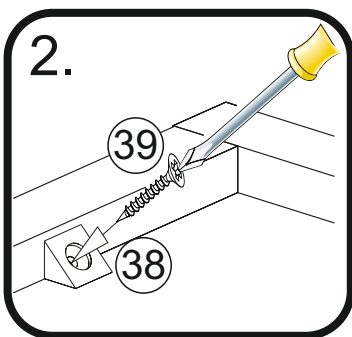
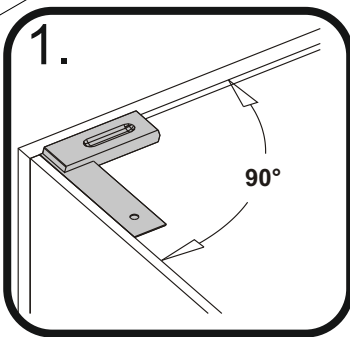
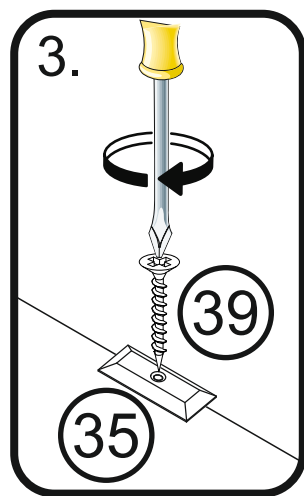
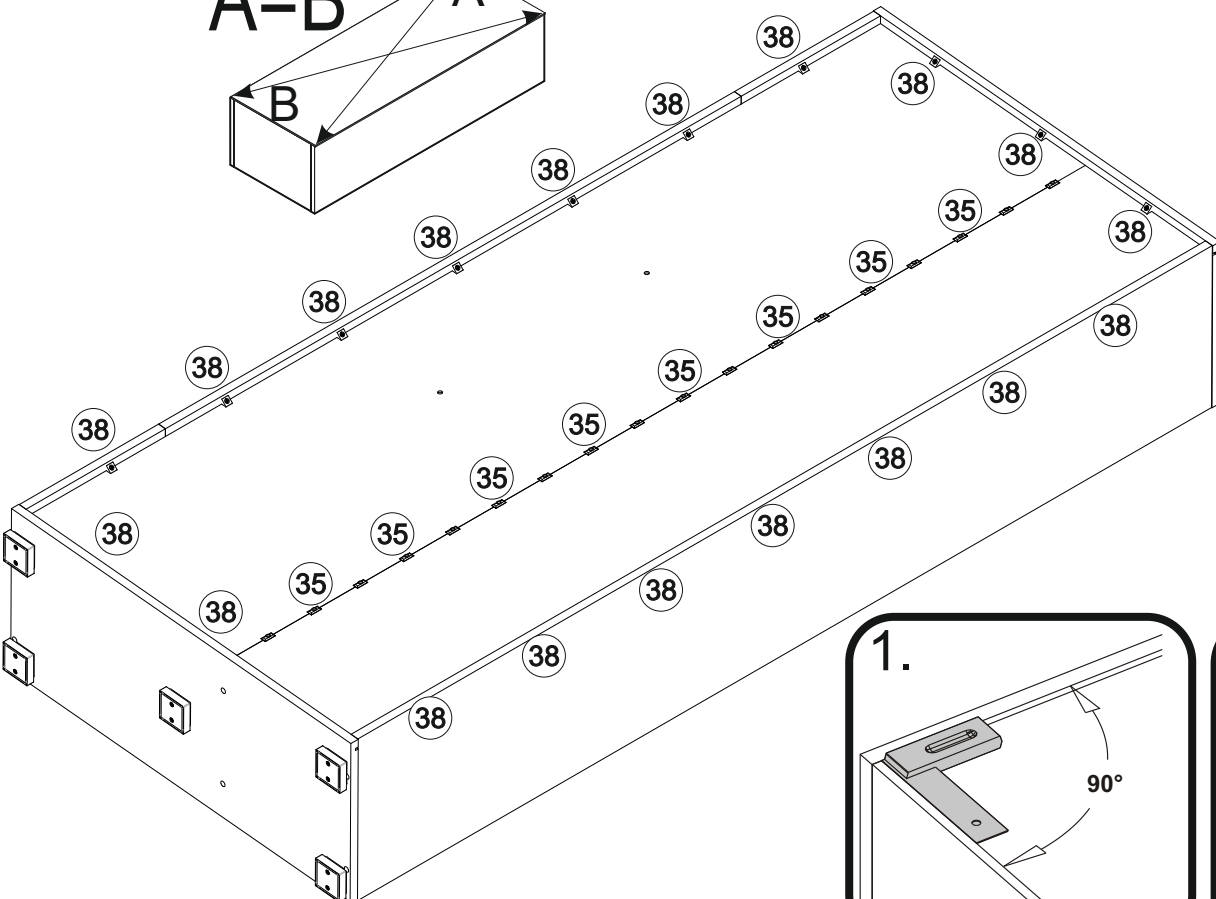
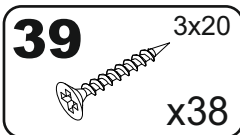
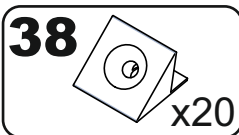
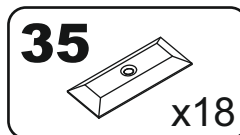
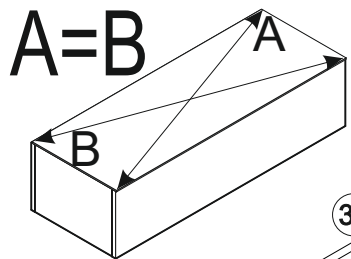
# 14



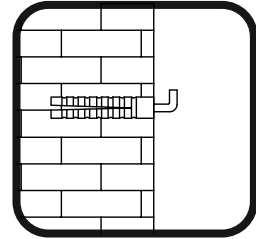
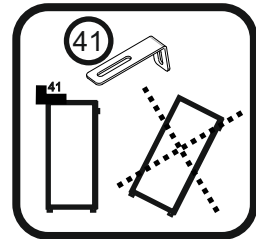
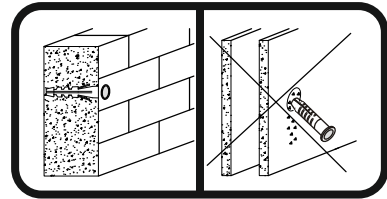
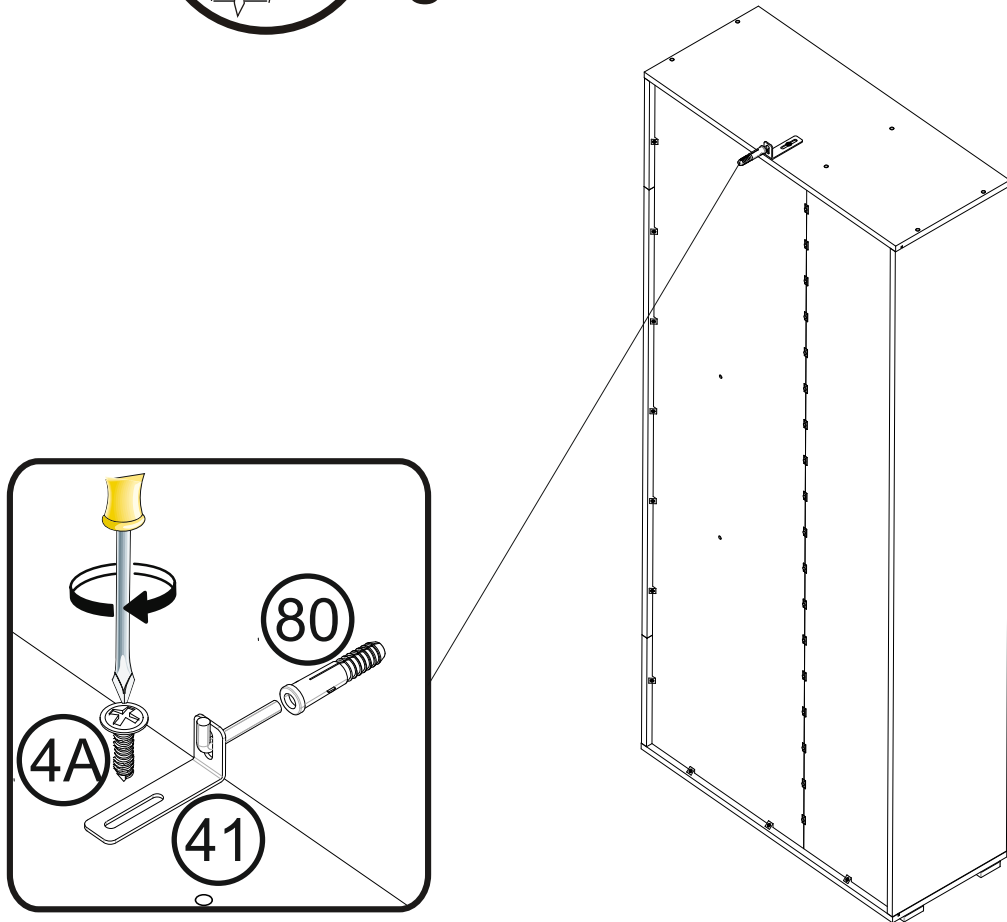
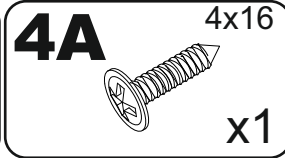
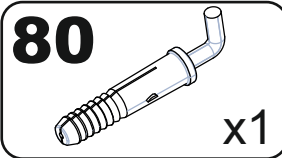
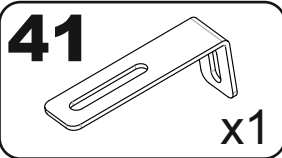
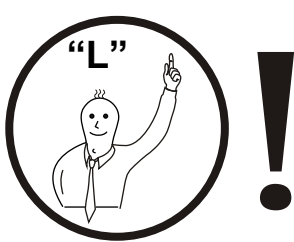
# 15



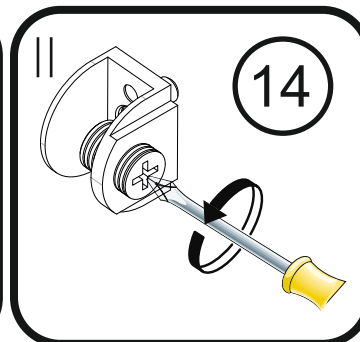
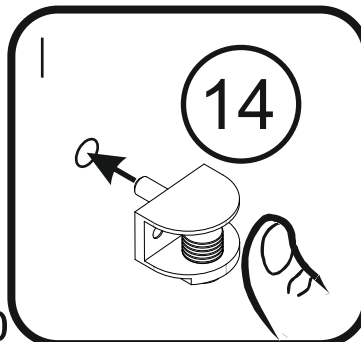
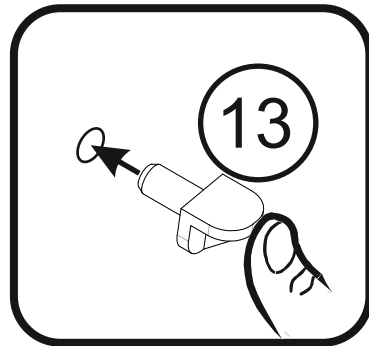
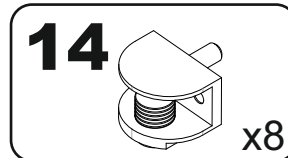
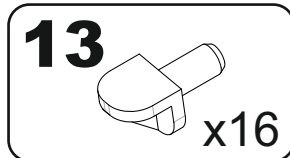
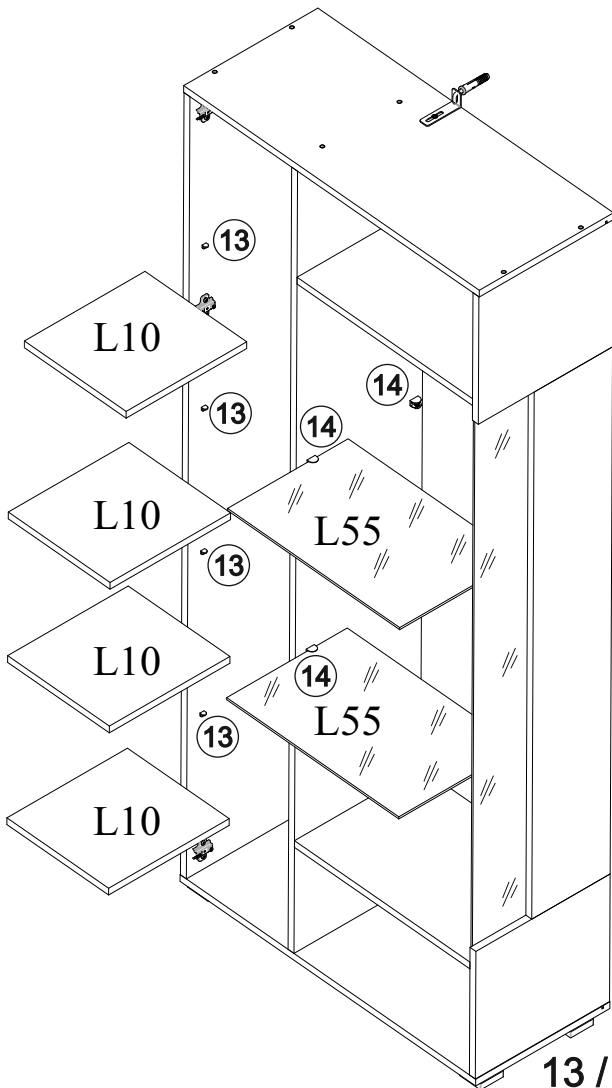
# 16



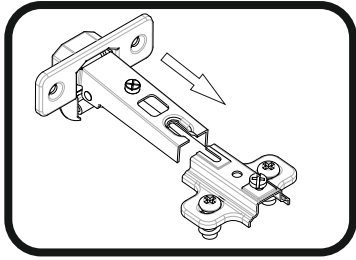
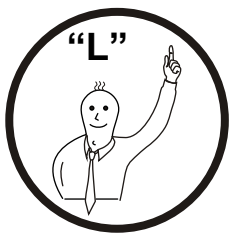
# 17



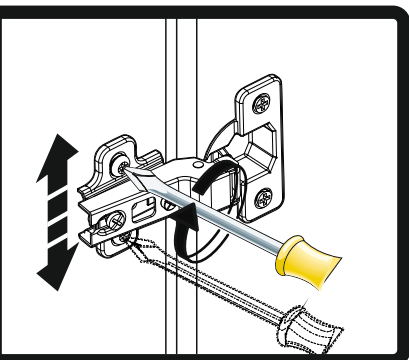
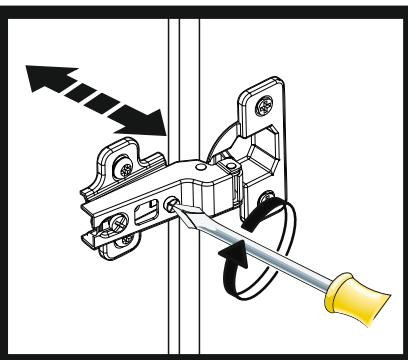
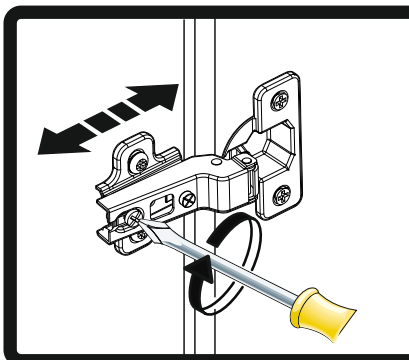
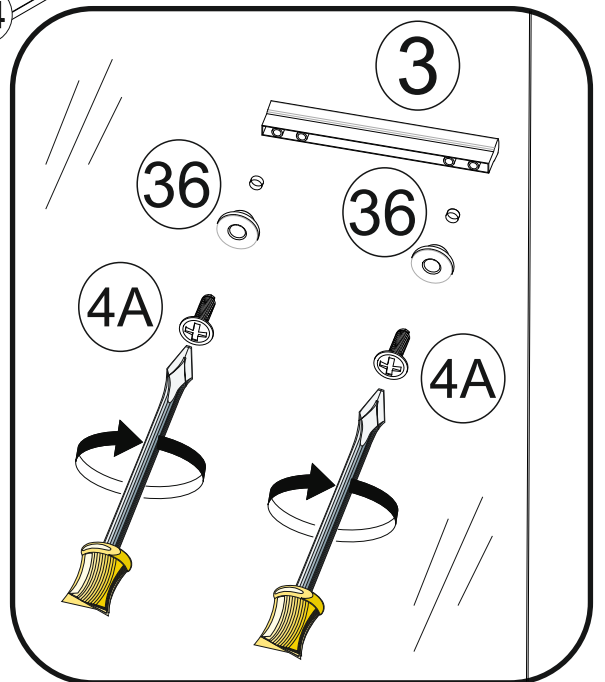
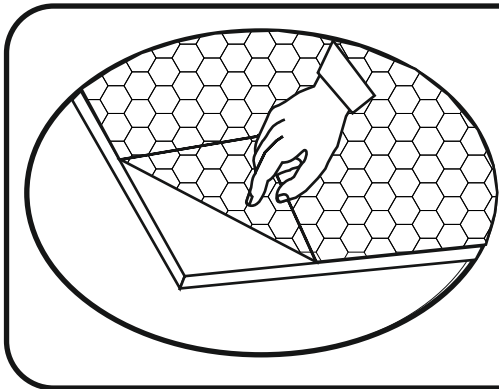
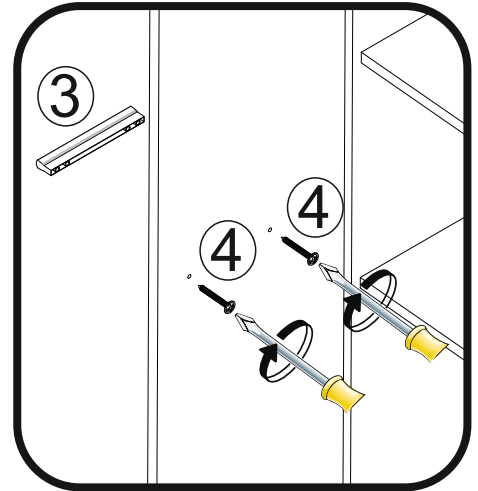
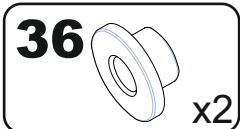
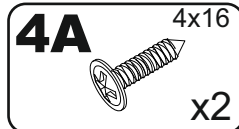
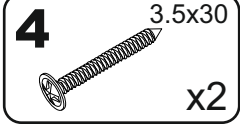
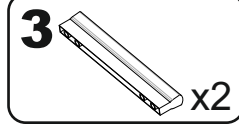
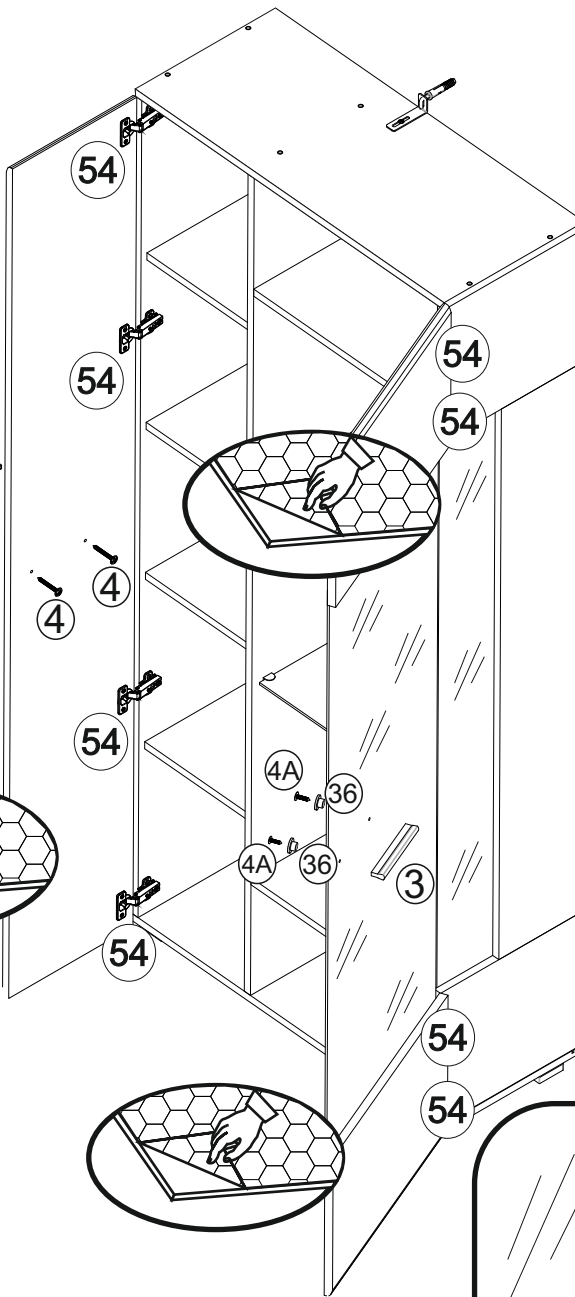
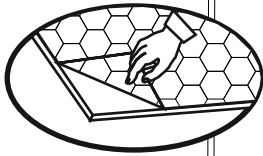
# 18



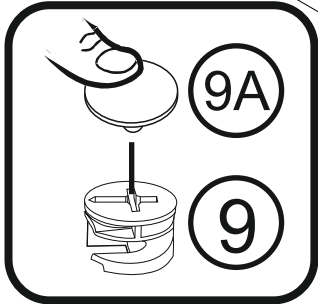
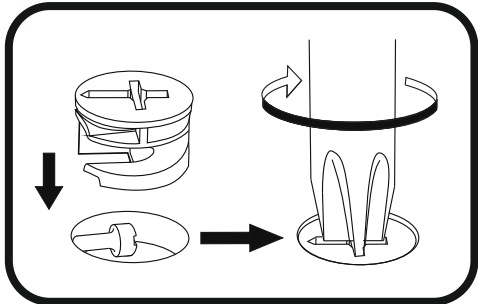
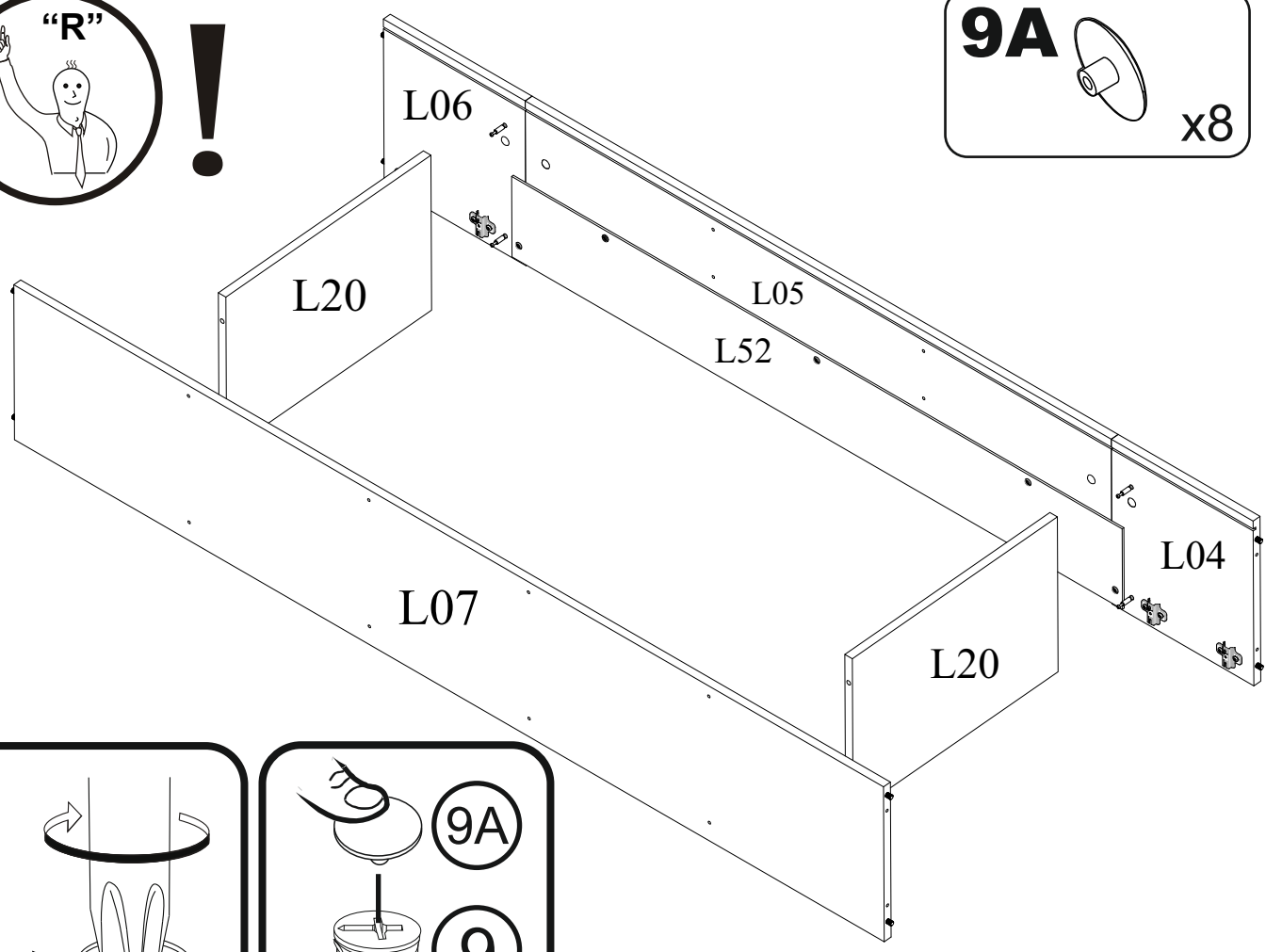
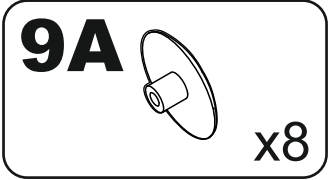
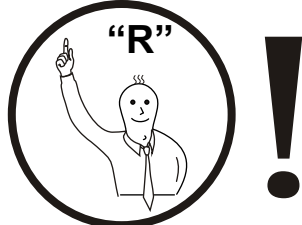
# 19



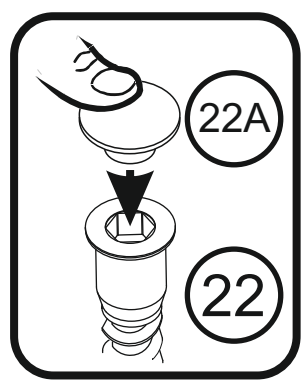
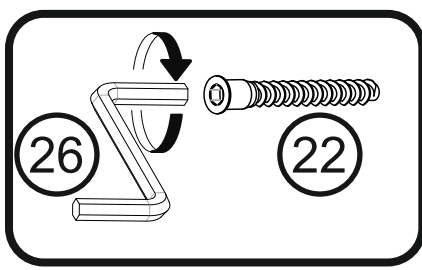
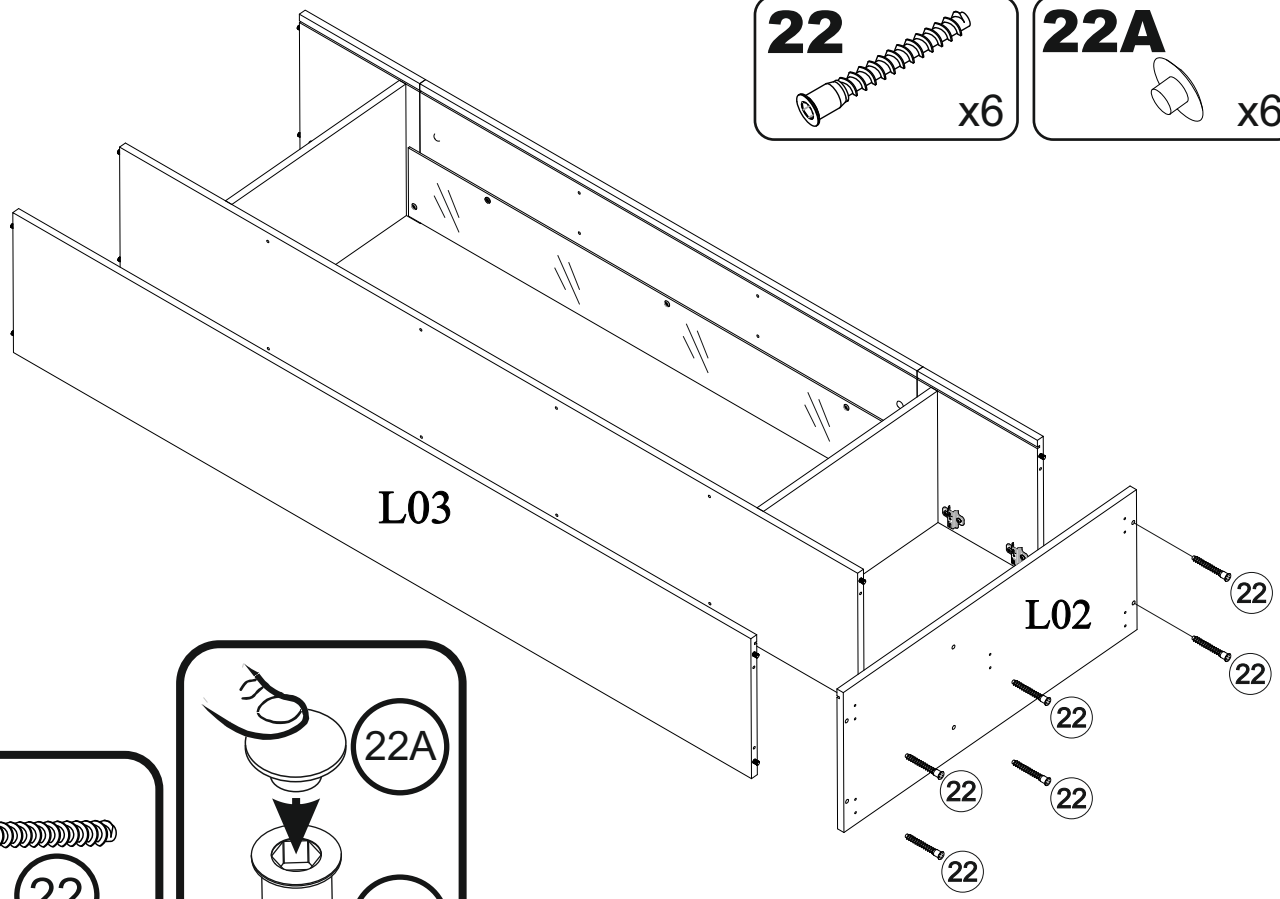
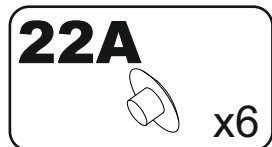
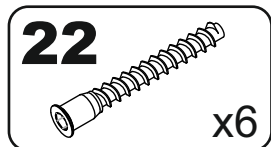
3



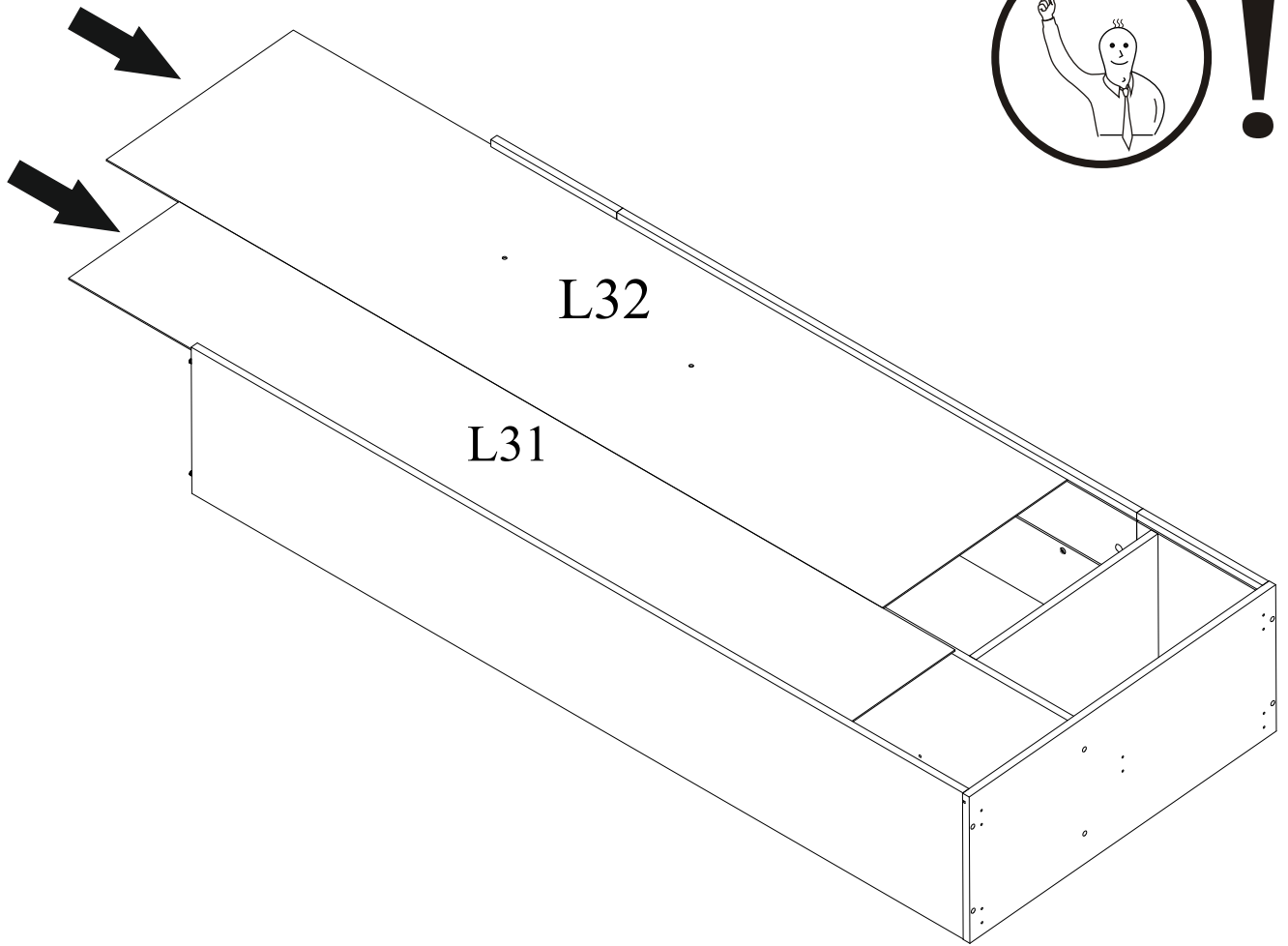
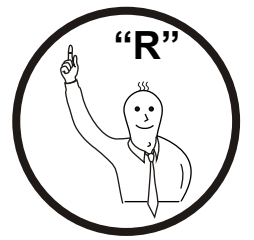
# 11



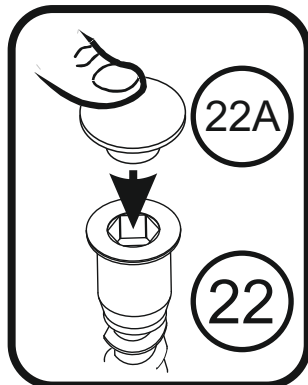
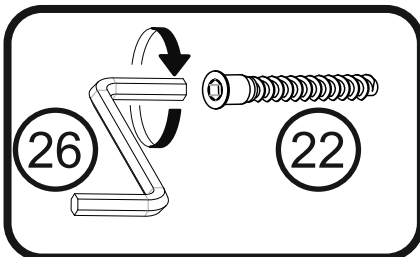
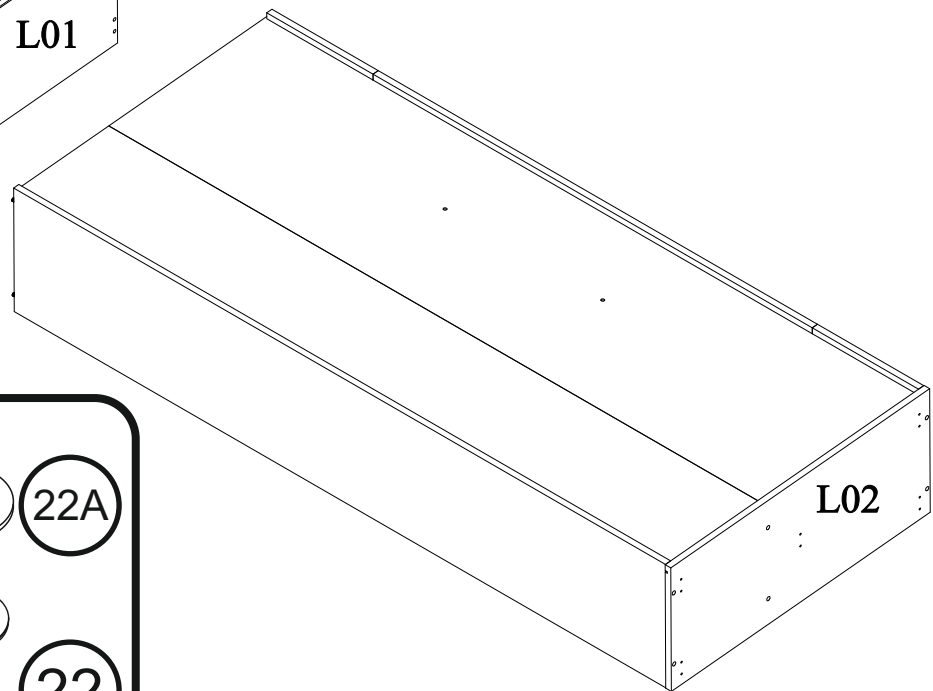
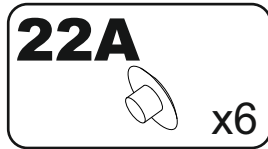
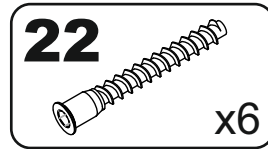
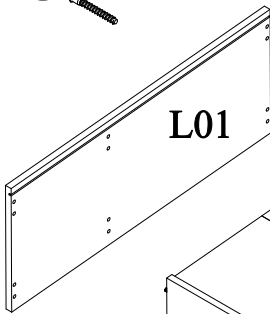
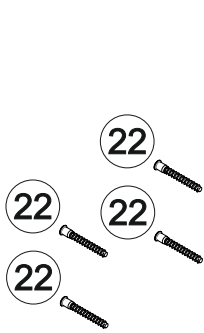
# 12



# 13

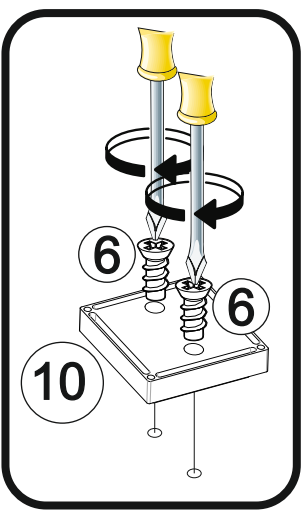
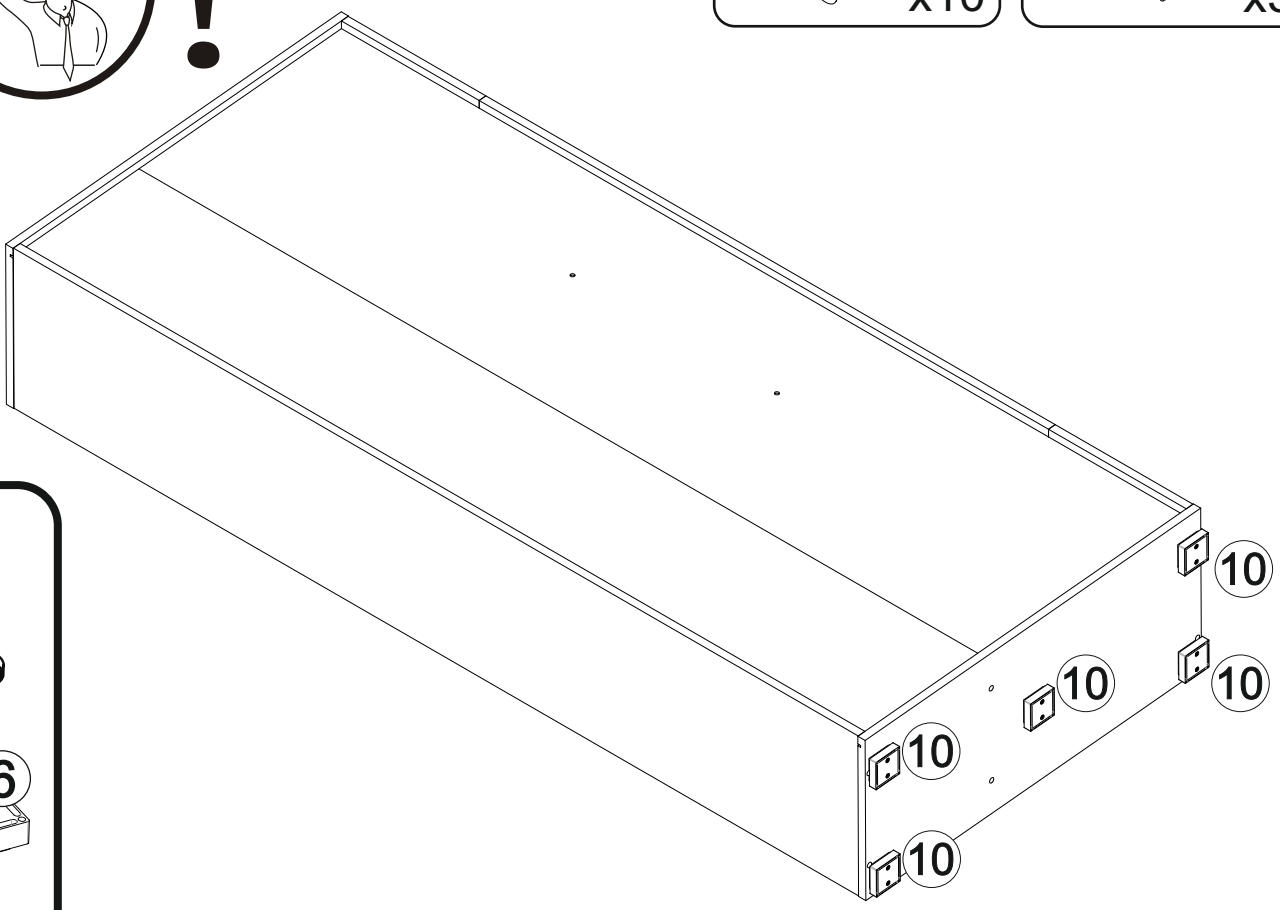
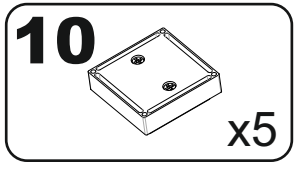
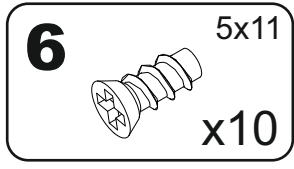
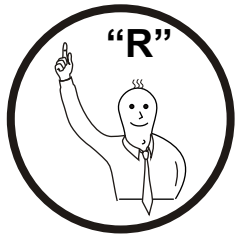


# 14

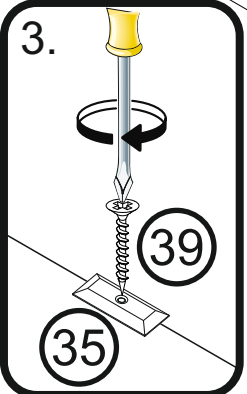
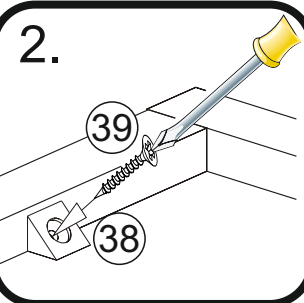
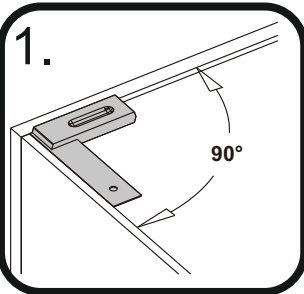
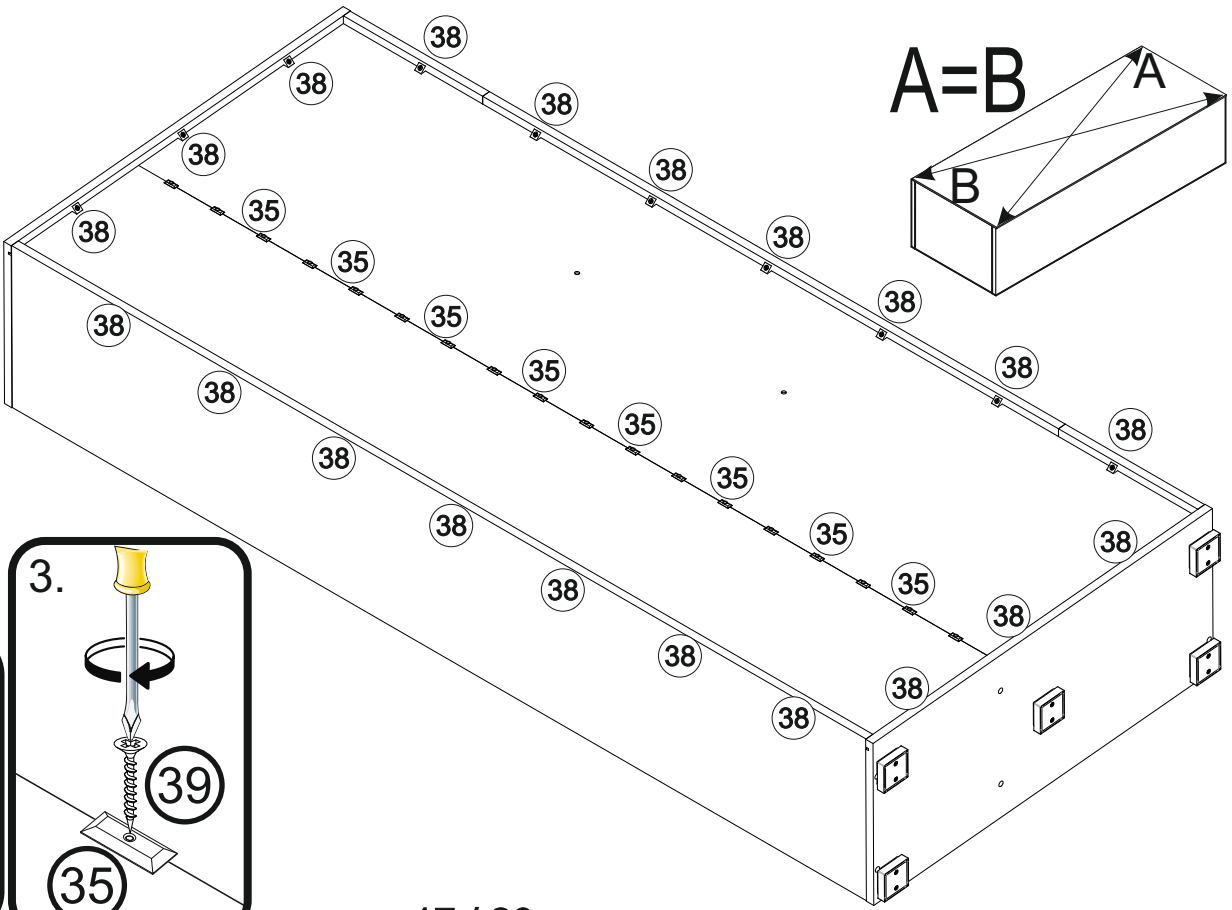
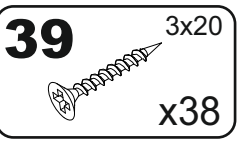
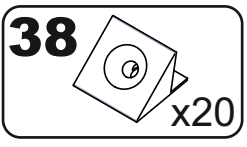
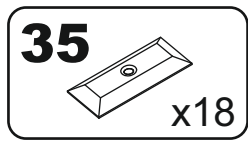




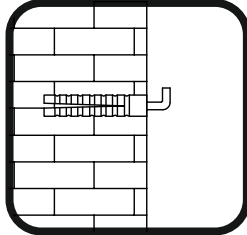
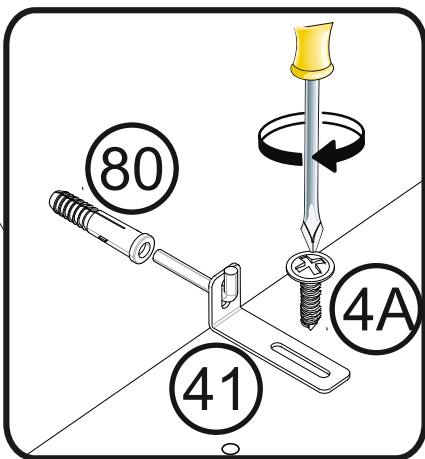
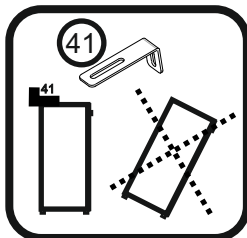
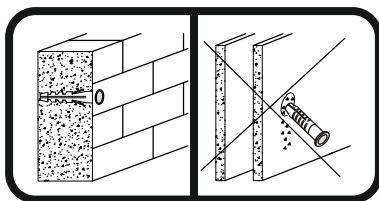
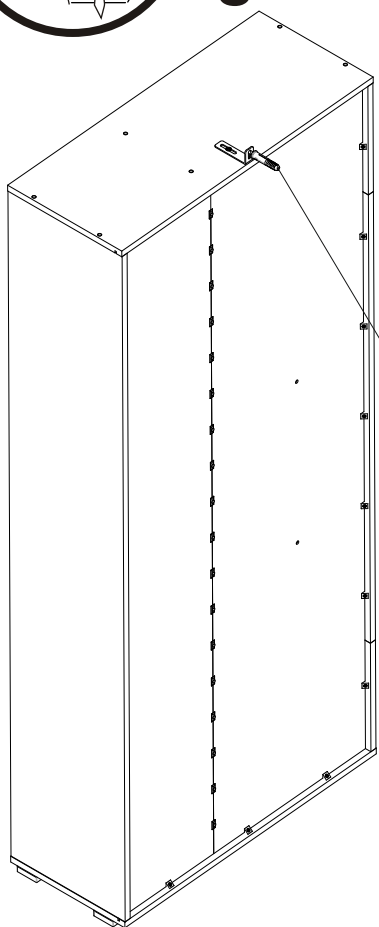
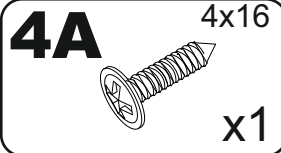
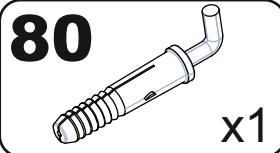
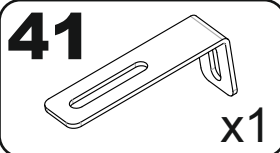
# 15



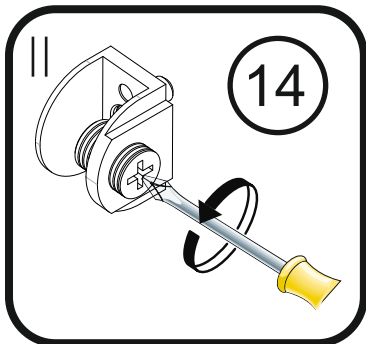
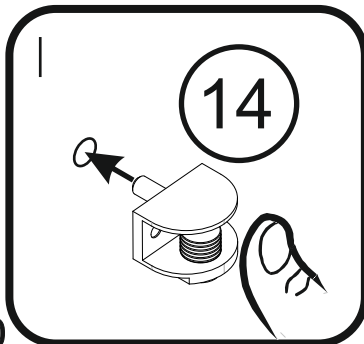
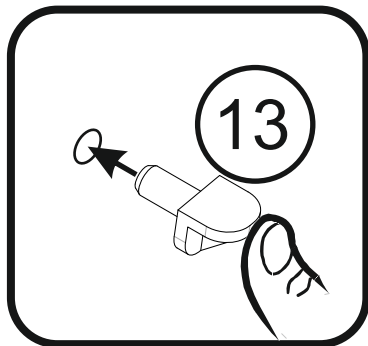
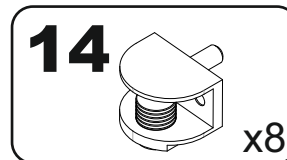
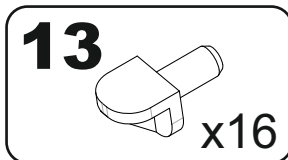
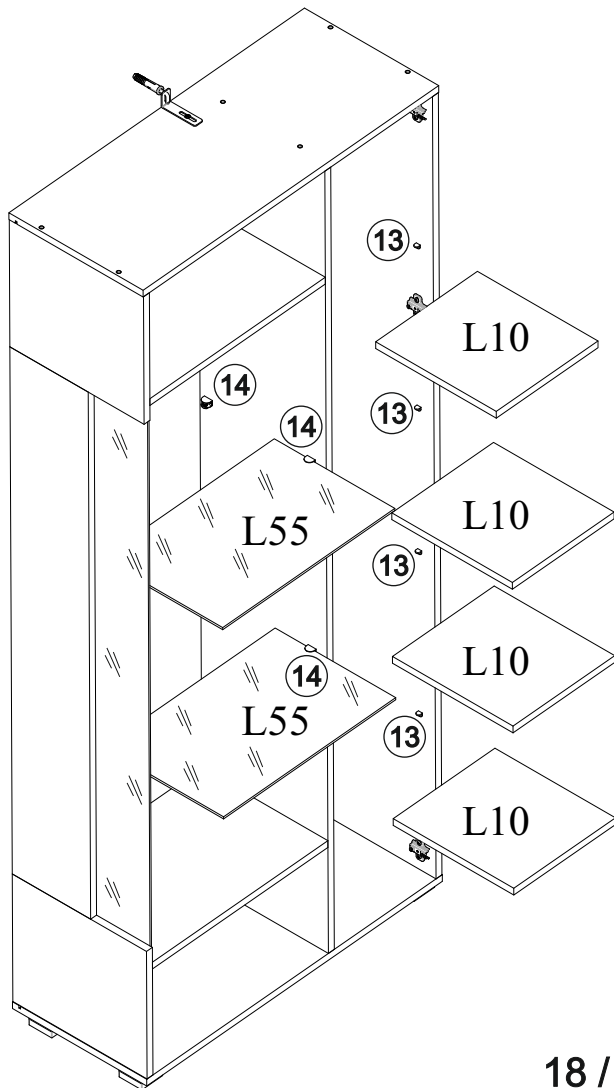
# 16



# 17



# 18



# 19

