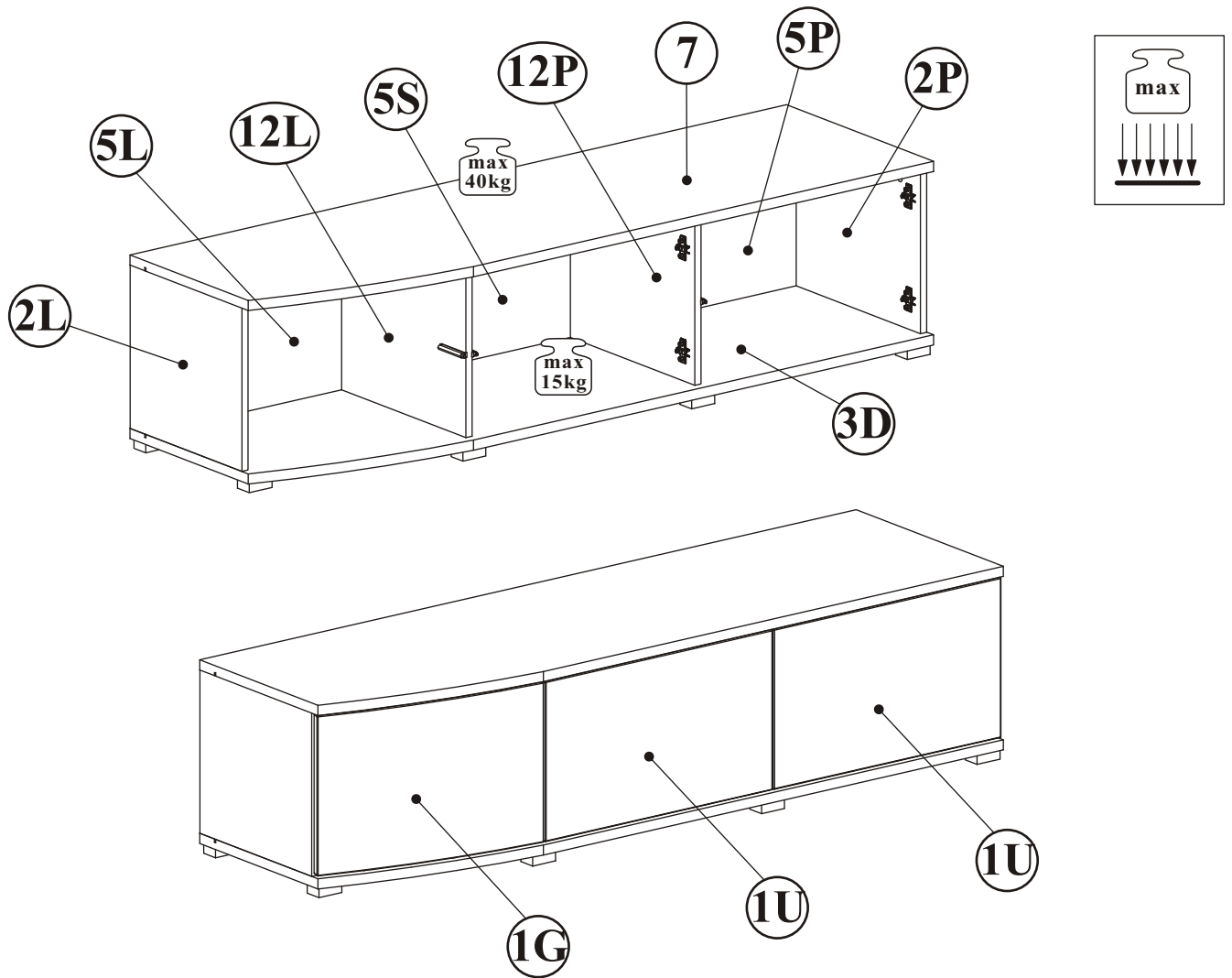
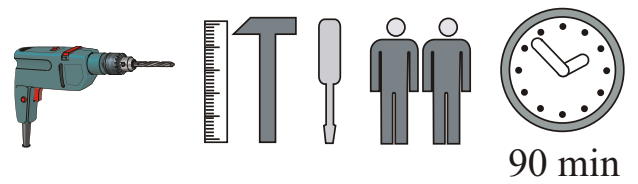


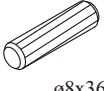
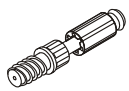
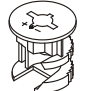

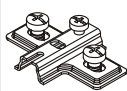
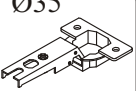
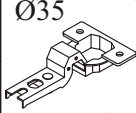
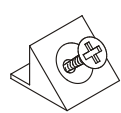

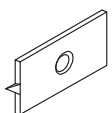


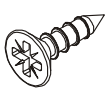
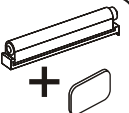

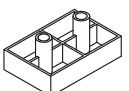
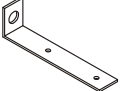


SONIC TYP-31

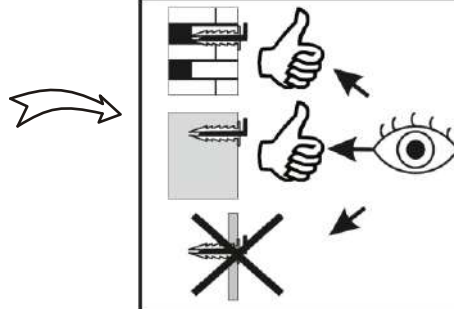
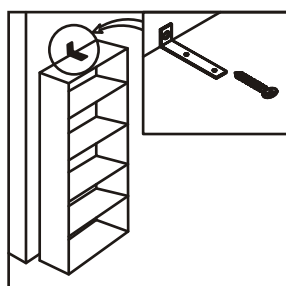
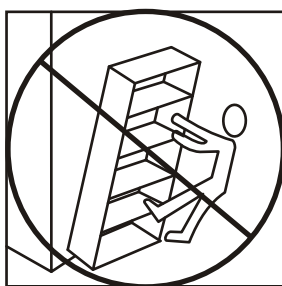
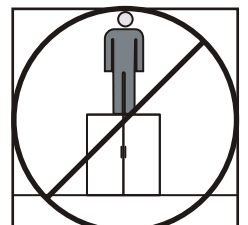
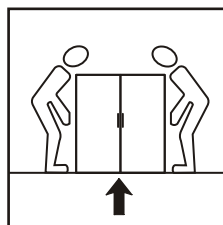
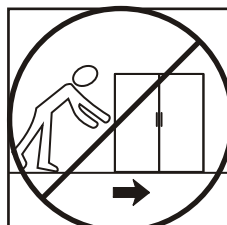
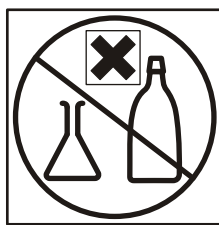
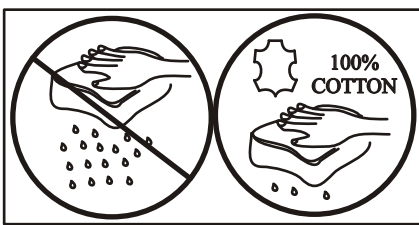
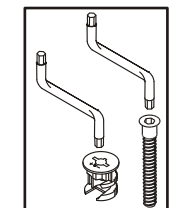
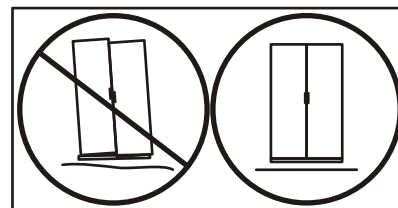
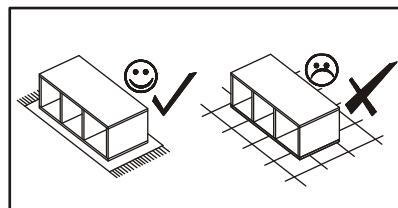
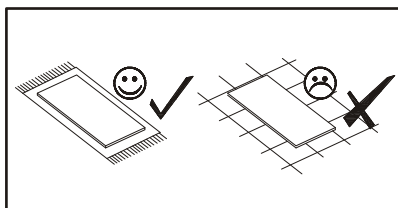
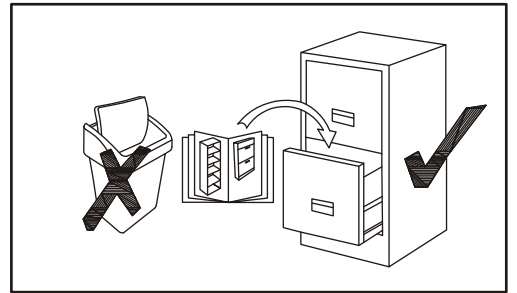
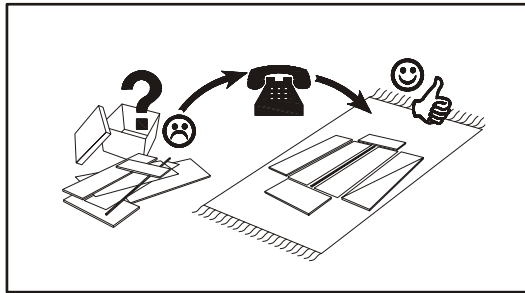
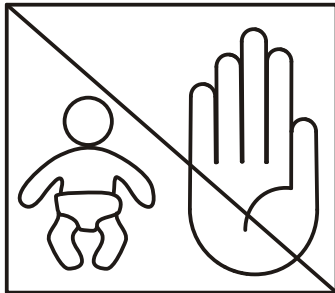
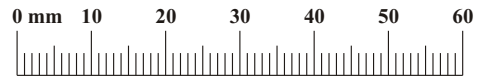


NO	Dim.		Col.-No	Qty
1G	523	348	1	1
1U	596	348	1	2
2L	355	380	2	1
2P	355	477	2	1
12L	355	423	2	1
12P	355	423	2	1
3D	1721	500	2	1
5L	367	510	1	1
5S	367	600	1	1
5P	367	590	2	1
7	1721	500	1	1



SONIC TYP-31

A1 x16  ø8x36	B4 x8 	B5 x8  ø15x12	G5 x8 	E2 x6  H=0	E21 x4  Ø35 H=0
E23 x2  Ø35 H=8	S1 x14 	UP13 x4  UPØ3x16	G16 x4 	B11 x8  Ø7x50	G4 x8 
D10 x20  USØ3,5x13	T2 x3  +  20x14	ST6 x8 	L1 x1 	KR1 x1 	G2 x1 

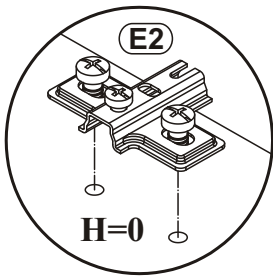
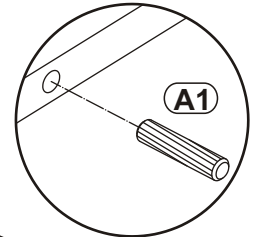
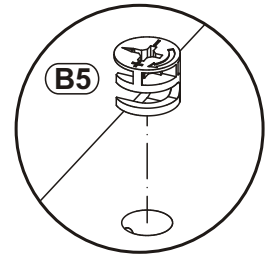
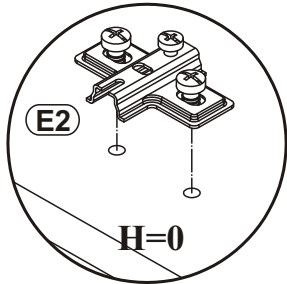
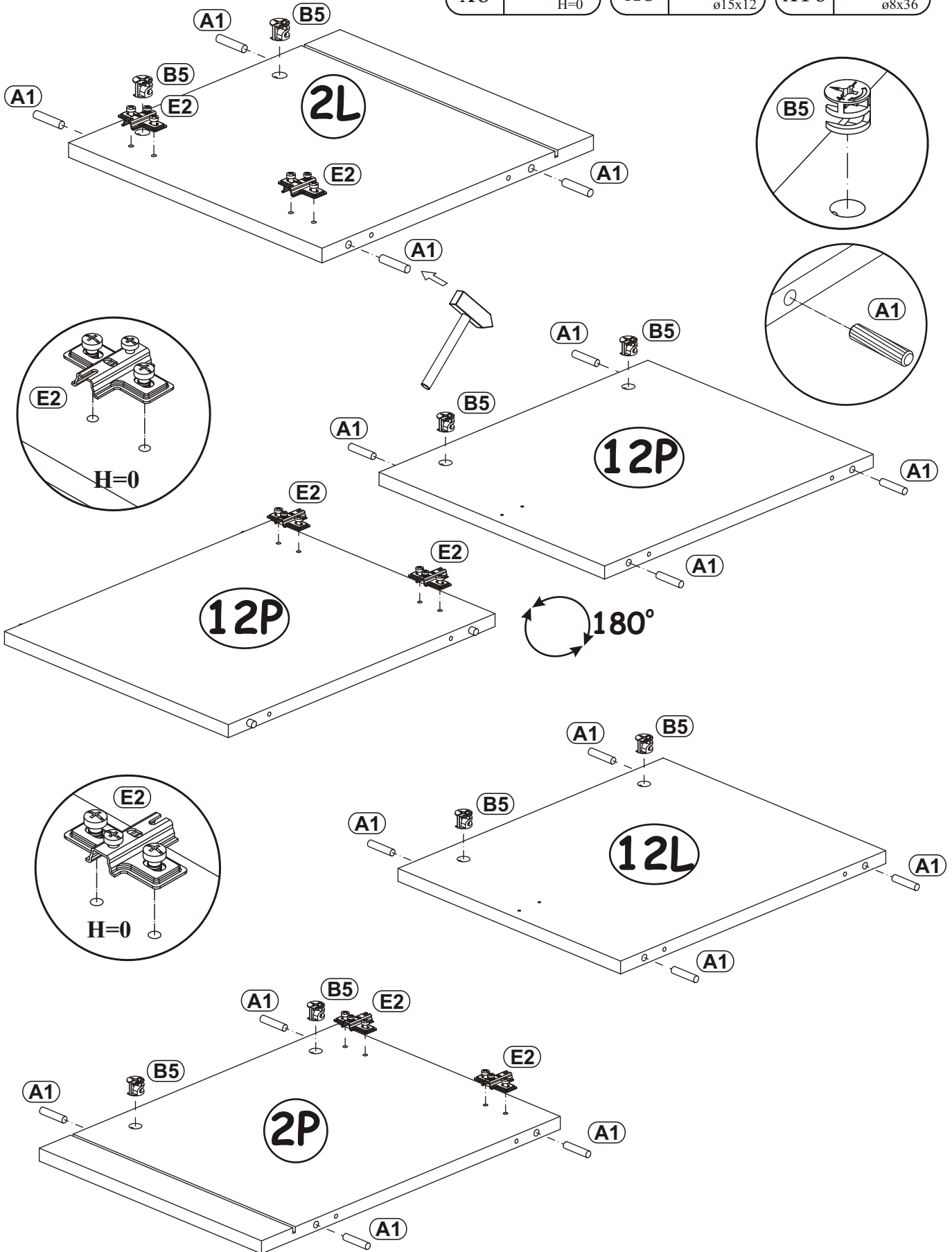


1

E2	
x6	H=0

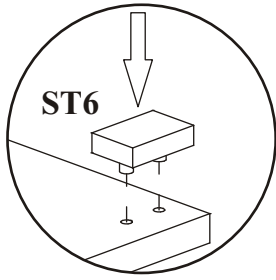
B5	
x8	ø15x12

A1	
x16	ø8x36



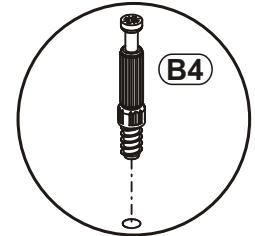
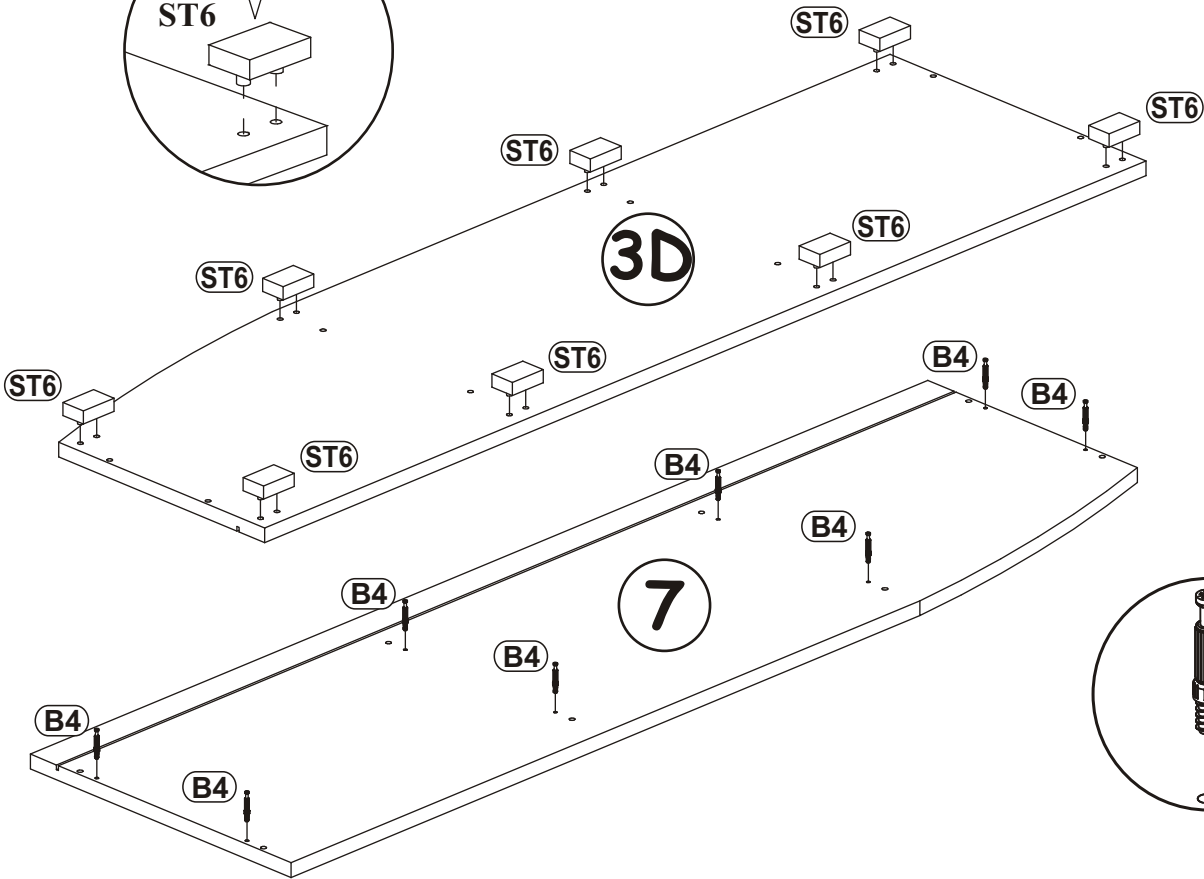
SONIC TYP-31

2

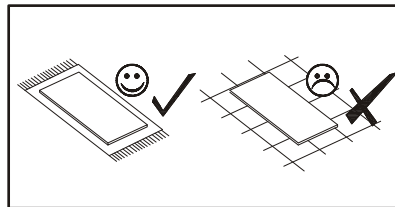
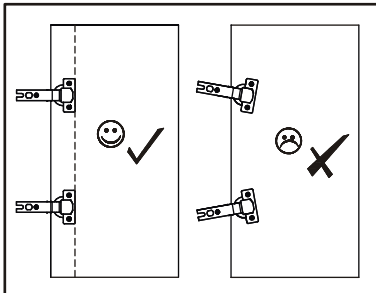


ST6	
x8	

B4	
x8	

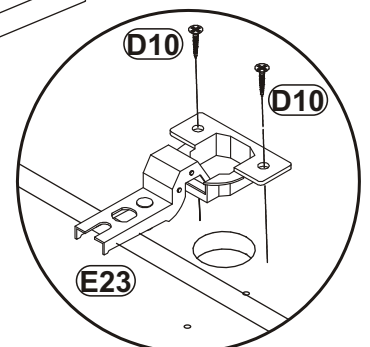
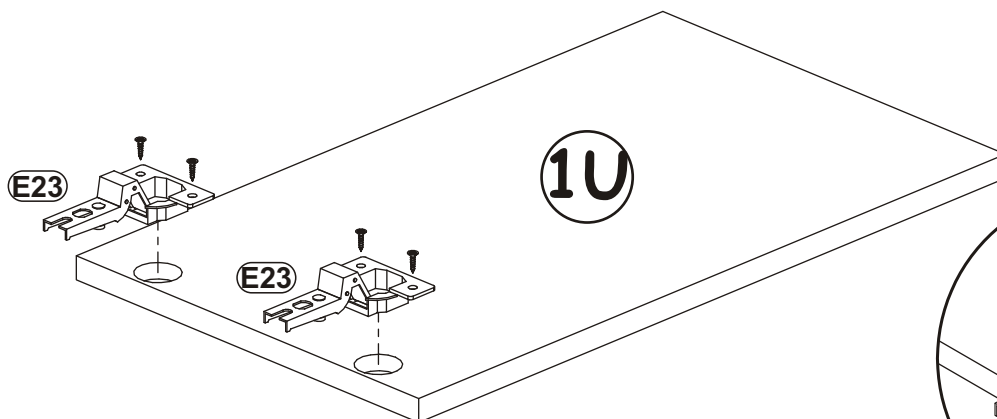


3



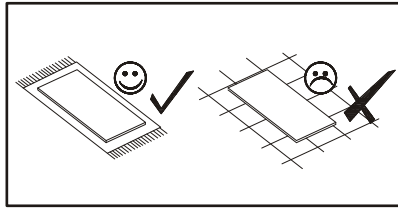
E23	Ø35
x2	
	H=8


D10	
x4	USØ3,5x13

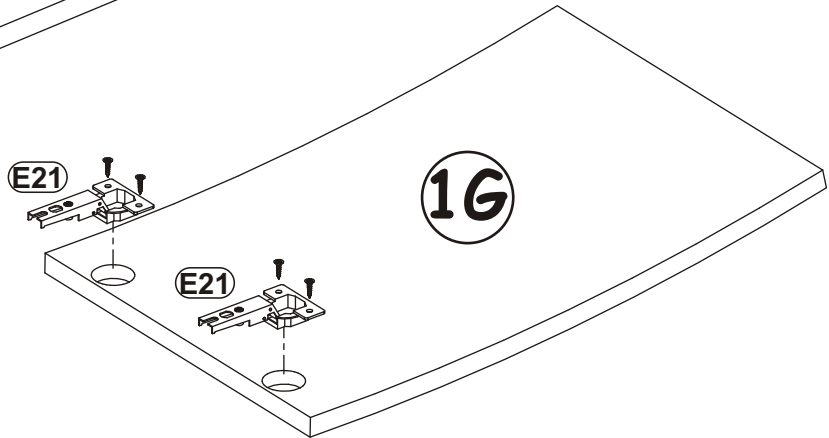
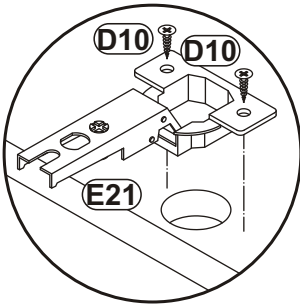
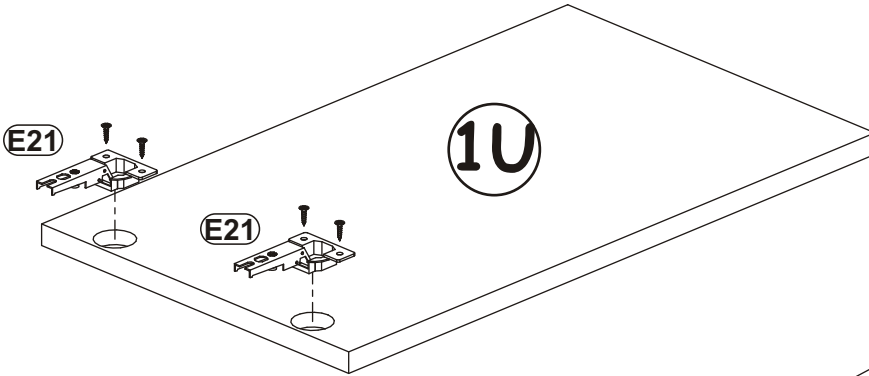
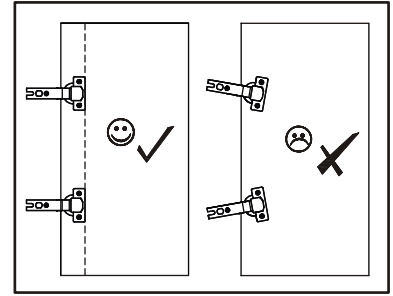


SONIC TYP-31

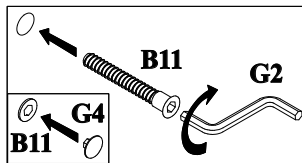
4





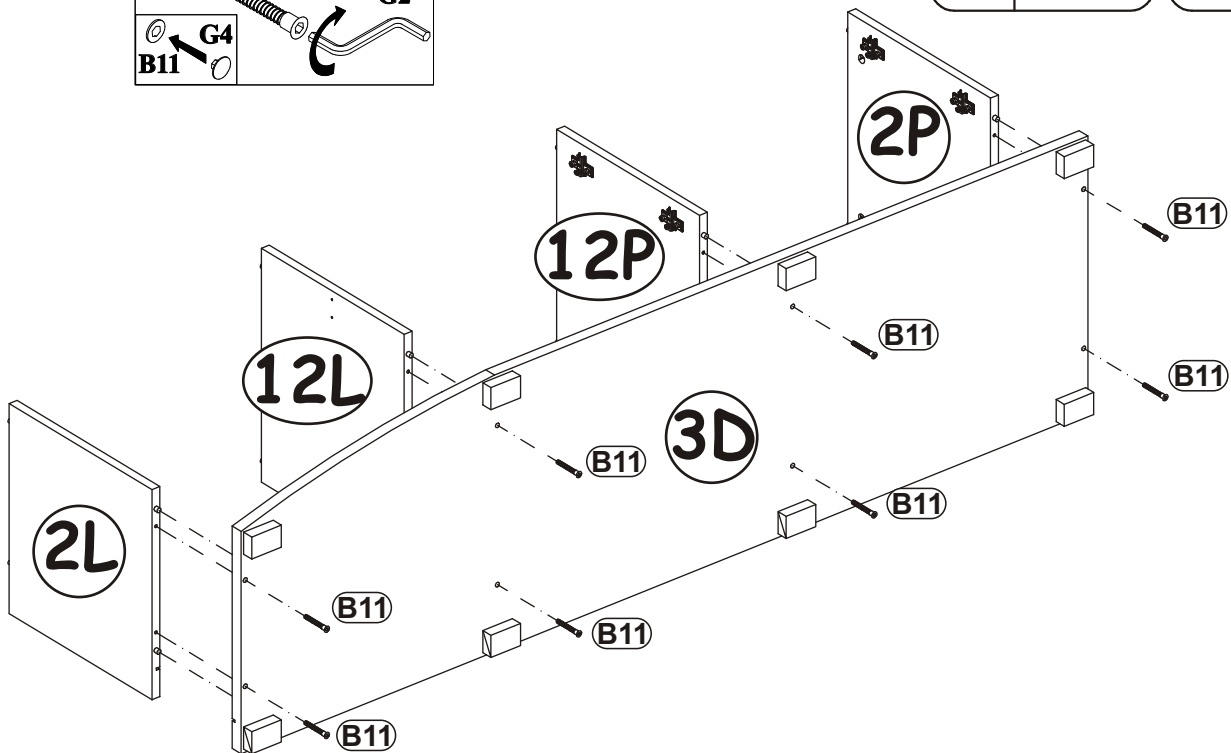
E21	Ø35	D10	 USØ3,5x13
x4	H=0	x8	



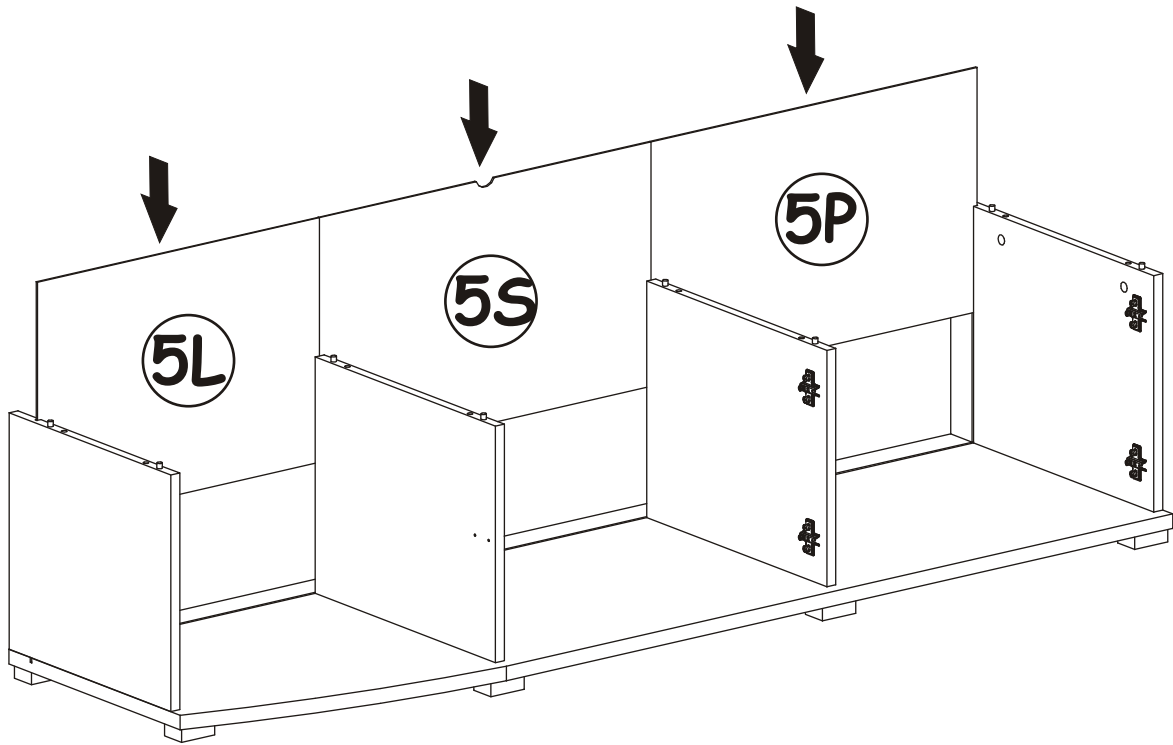
5



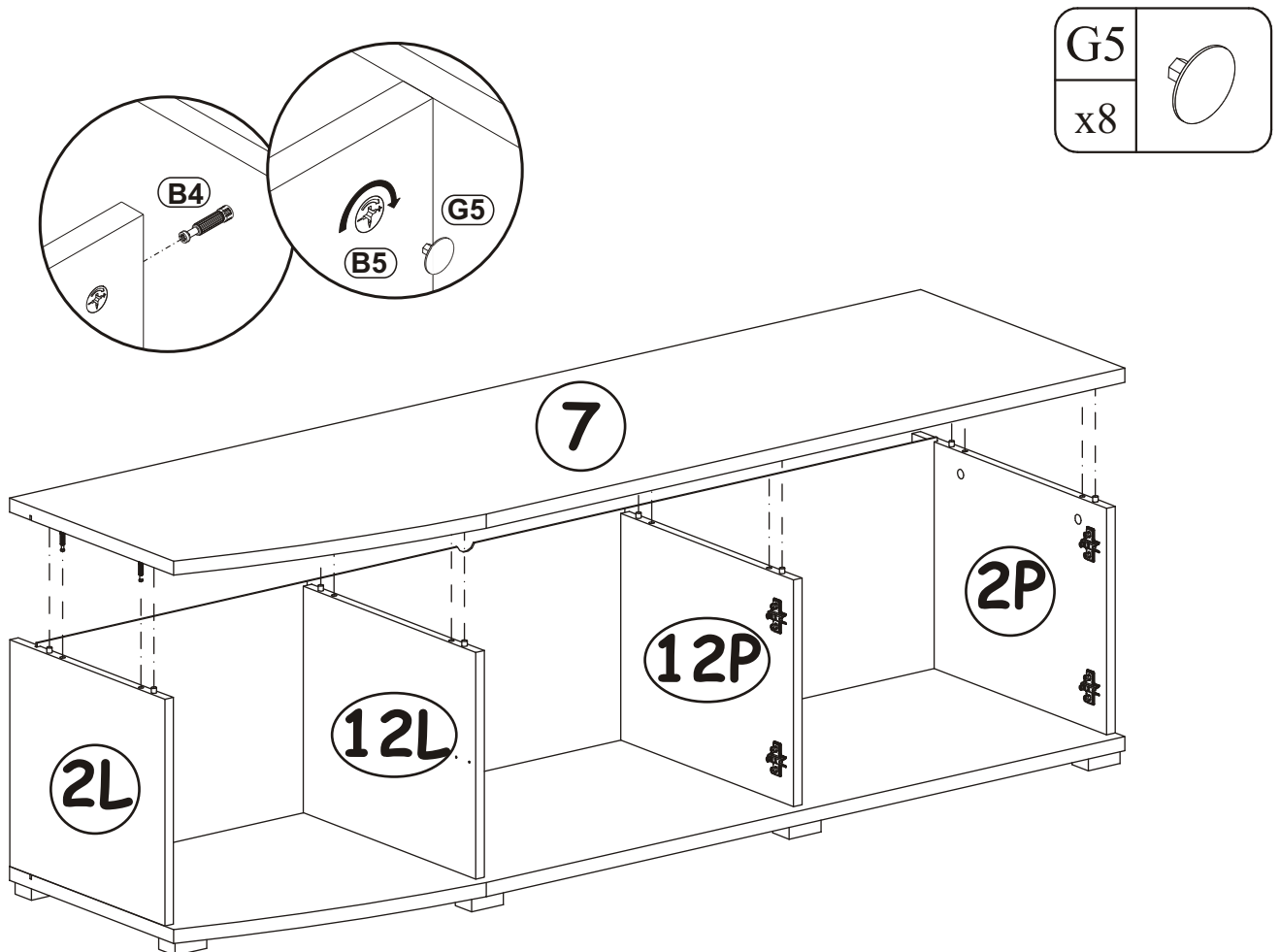
B11	 Ø7x50	G4	
x8		x8	



6

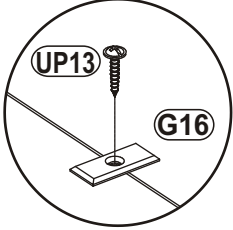
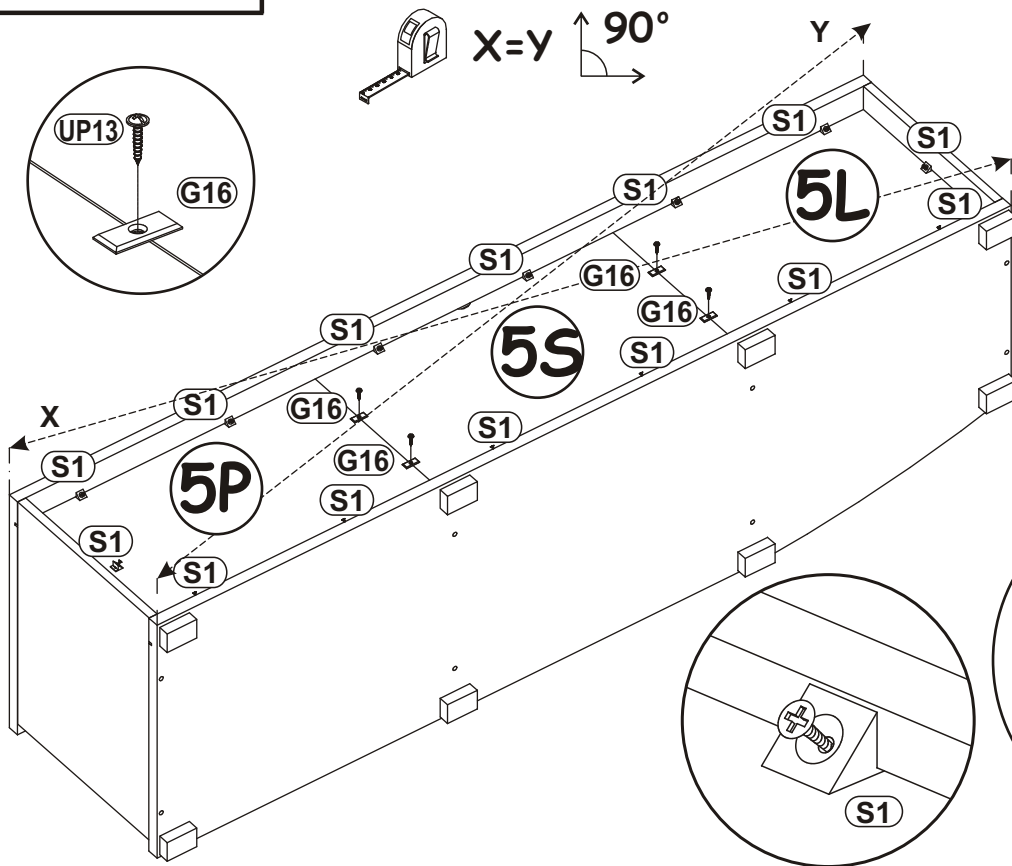


7



SONIC TYP-31

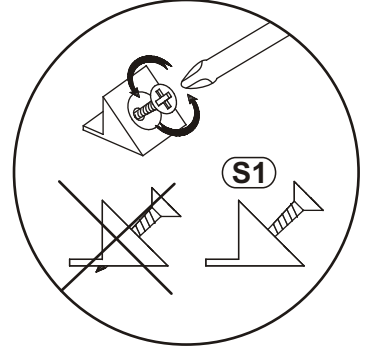
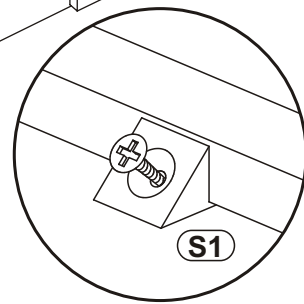
8



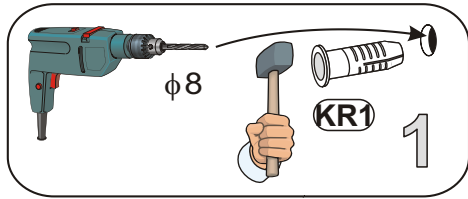
UP13	
x4	UPØ3x16

S1	
x14	

G16	
x4	



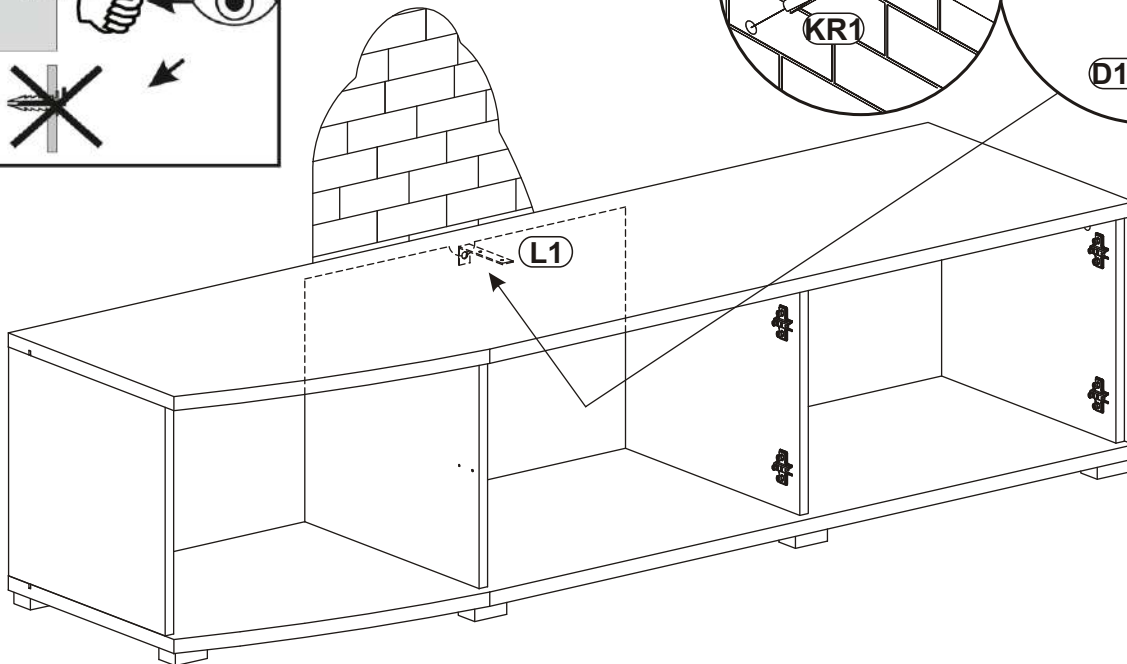
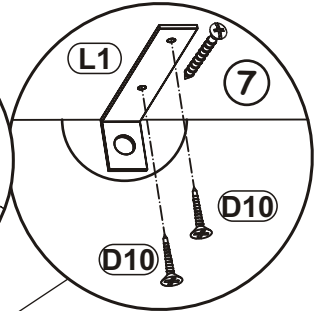
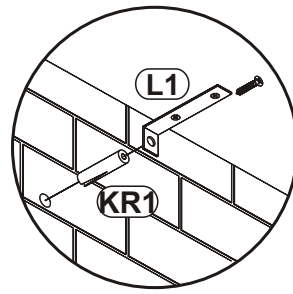
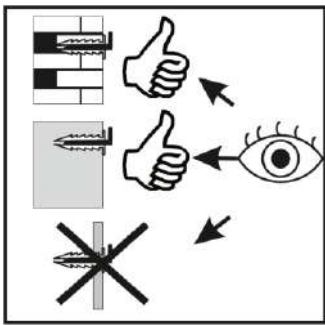
9






D10	
x2	USØ3,5x13

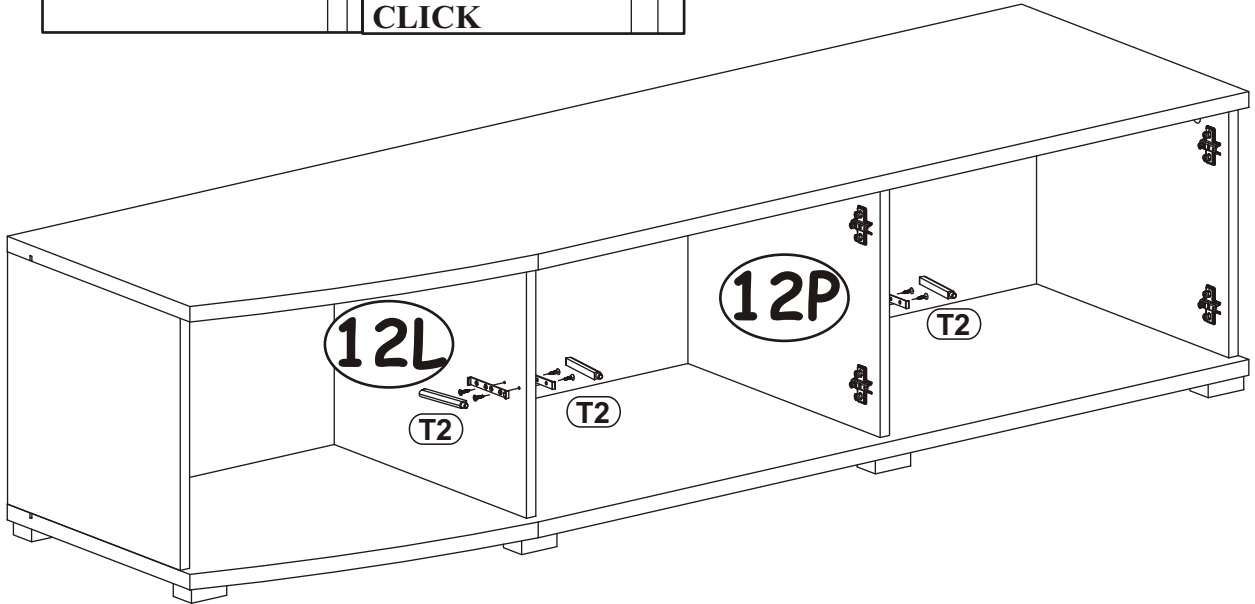
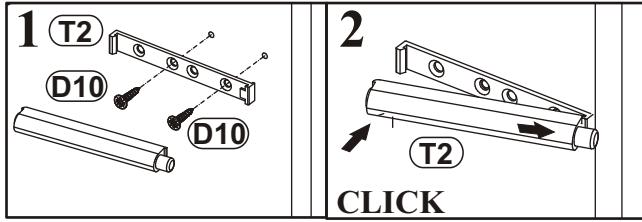
L1	
x1	

KR1	
x1	



D10		T2	
x6	USØ3,5x13	x3	+  20x14

10



||

11

