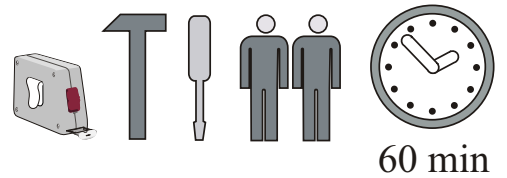
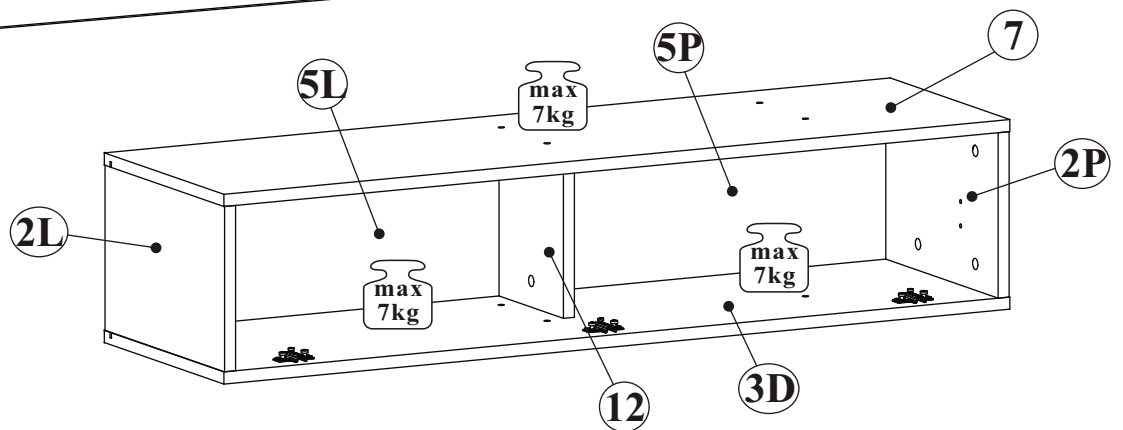
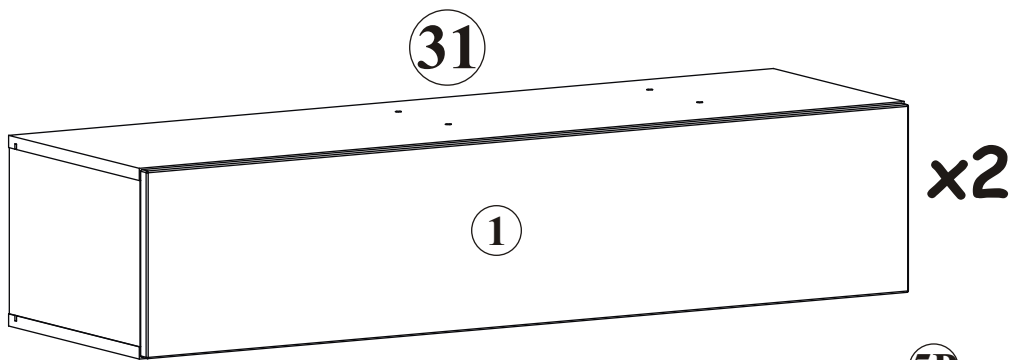
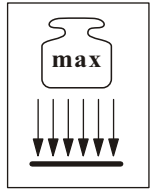
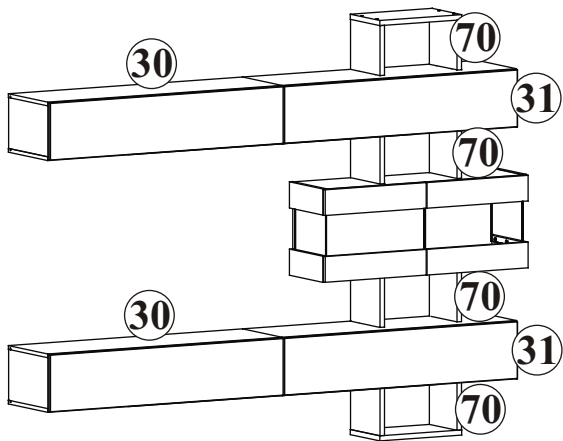
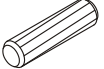
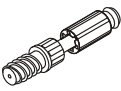
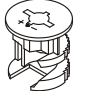

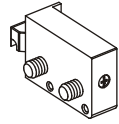
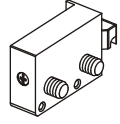
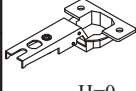
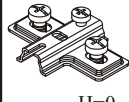

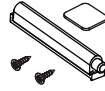


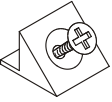
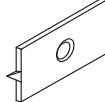



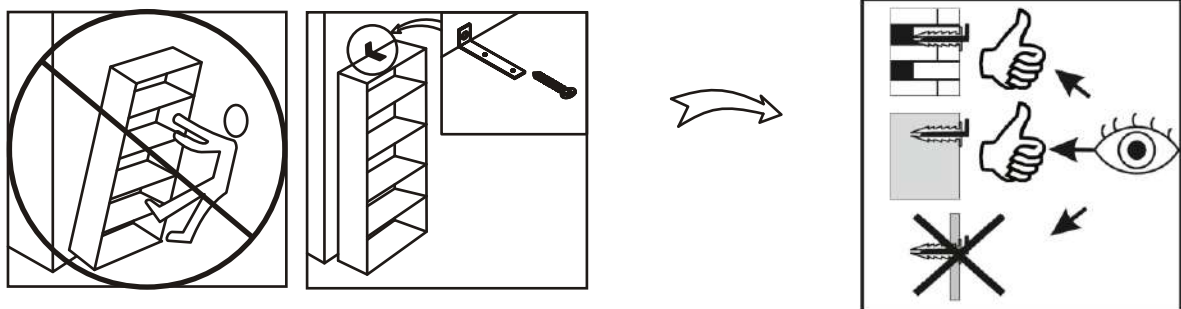
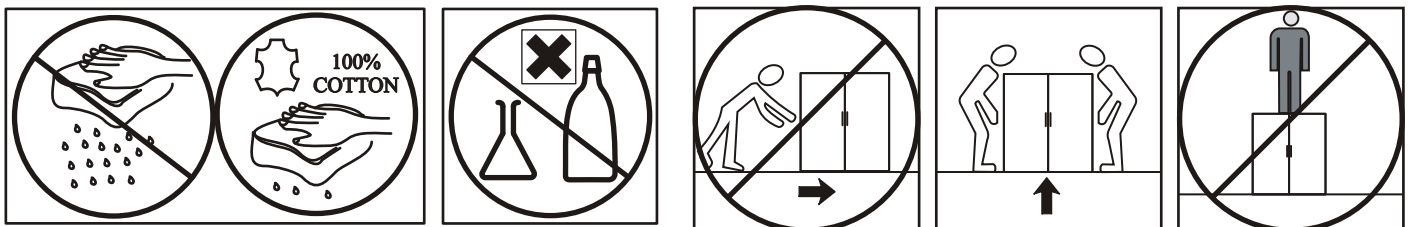
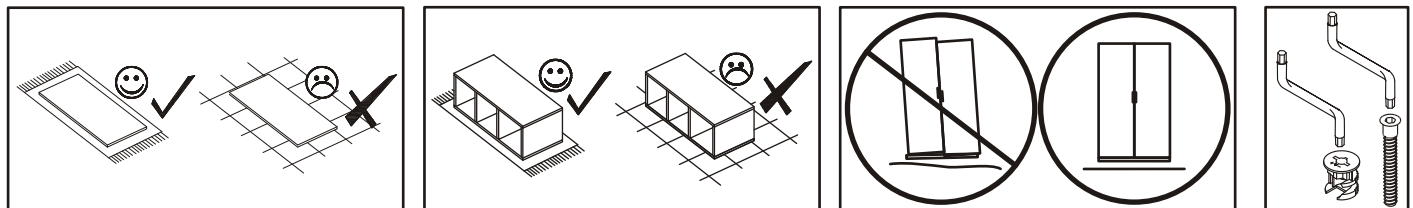
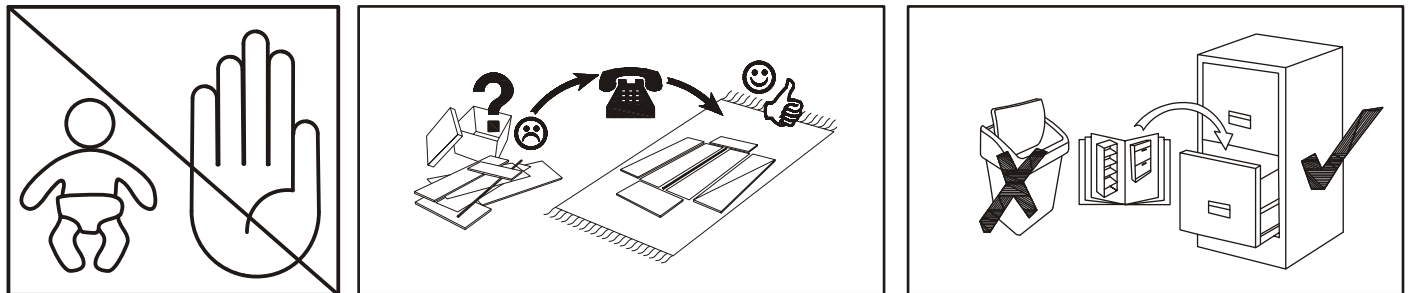
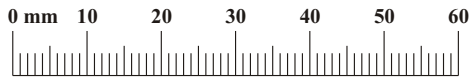


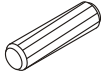
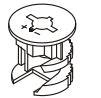
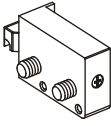
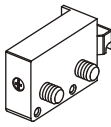
# TOKYO 20\_TK TYP 31



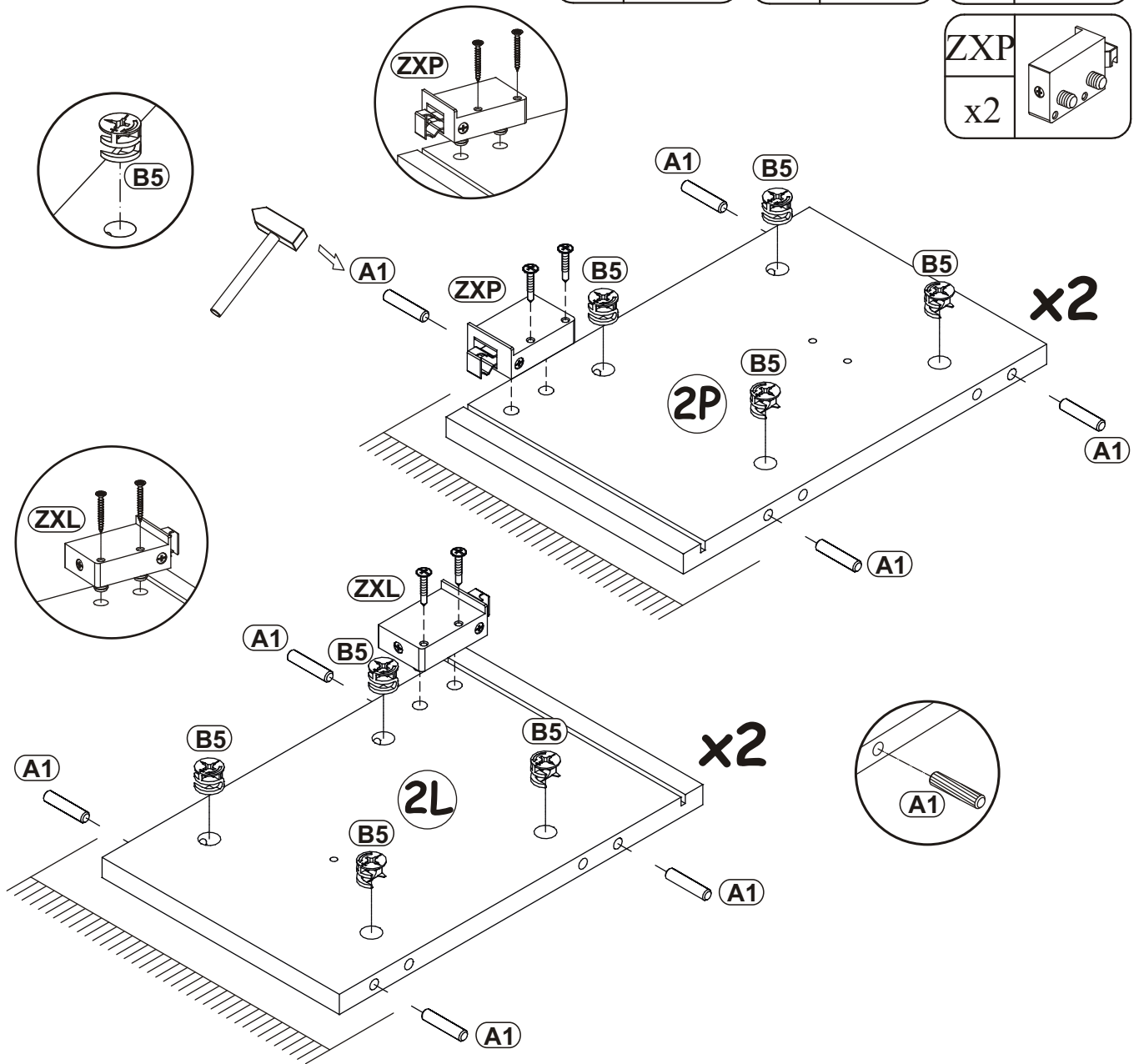
NO	Dim.			Col.-No	Qty
1	1146	246	16	3/5.	2
2L	218	334	16	2/5.	2
2P	218	334	16	2/5.	2
12	218	180	16	2/5.	2
3D	1150	334	16	2/5.	2
5L	564	230	3	2/5.	2
5P	564	230	3	2/5.	2
7	1150	334	16	2/5.	2

A1 x24  ø8x36	B4 x20 	B5 x20  Ø15x12	G5 x20 	ZXL x2 	ZXP x2 
E1 x6 Ø26 H=0 	E2 x6 H=0 	D10 x24 USØ3,5x13 	OD2 x2 	G21 x4 	D7 x12 USØ3x16 
S1 x20 	G16 x4 	UP13 x4 UPØ3x16 	KR3 x4 Ø10 	G2 x1 	

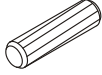



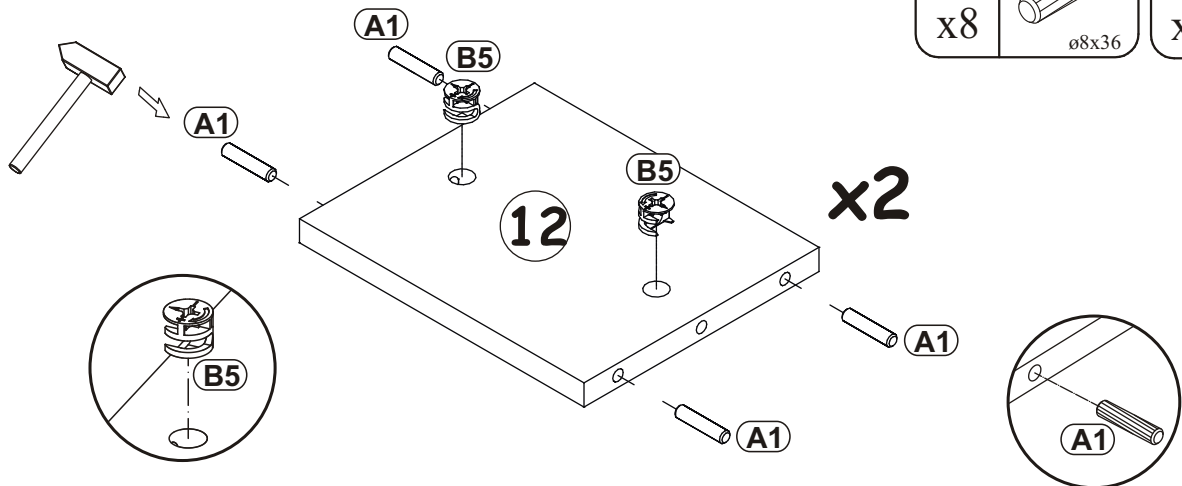
A1		B5		ZXL	
x16	ø8x36	x16	Ø15x12	x2	
				ZXP	
				x2	

1



2

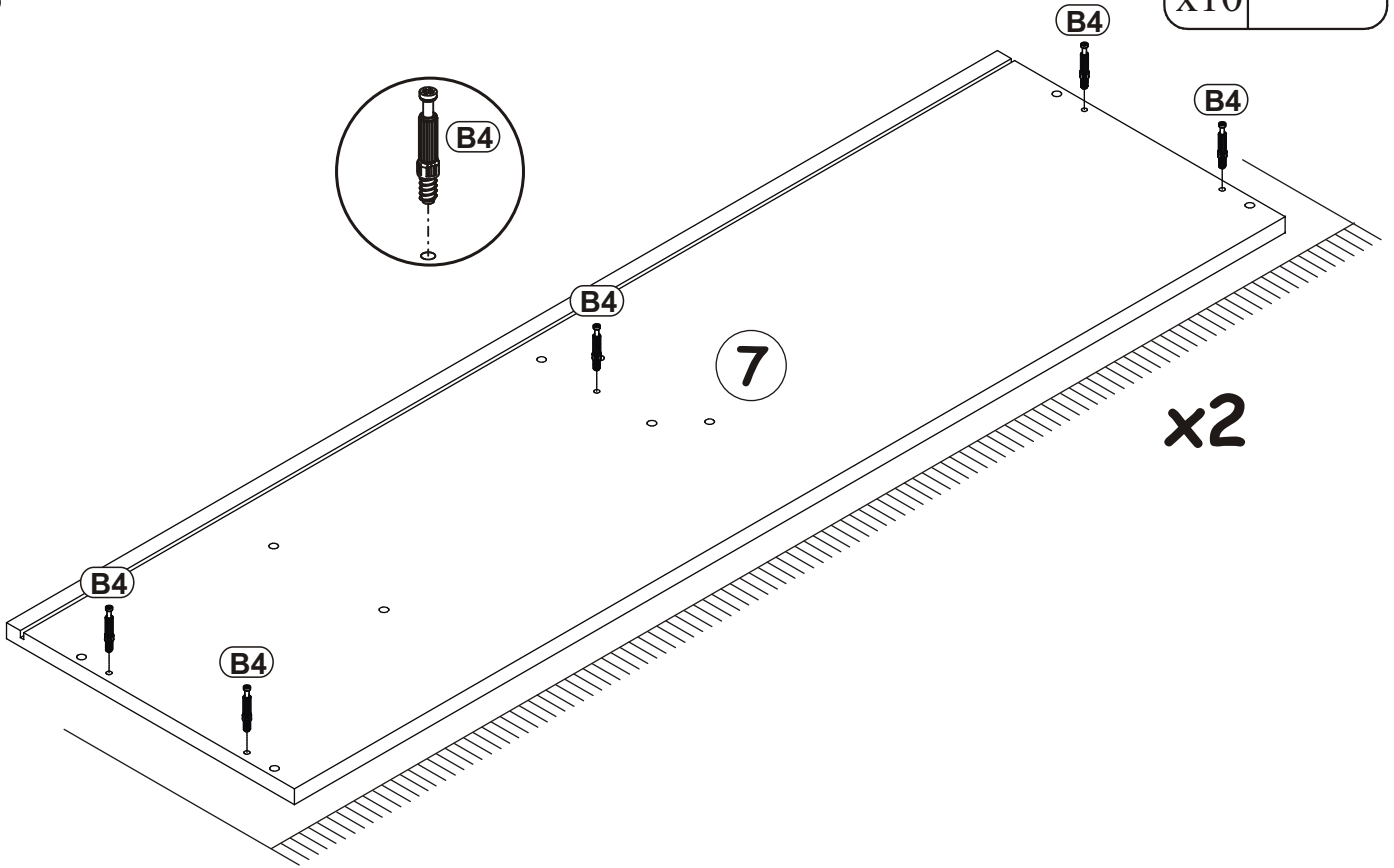
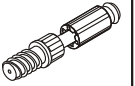
A1		B5	
x8	ø8x36	x4	Ø15x12



3

B4

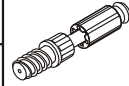
x10



4

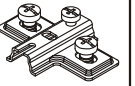
B4

x10

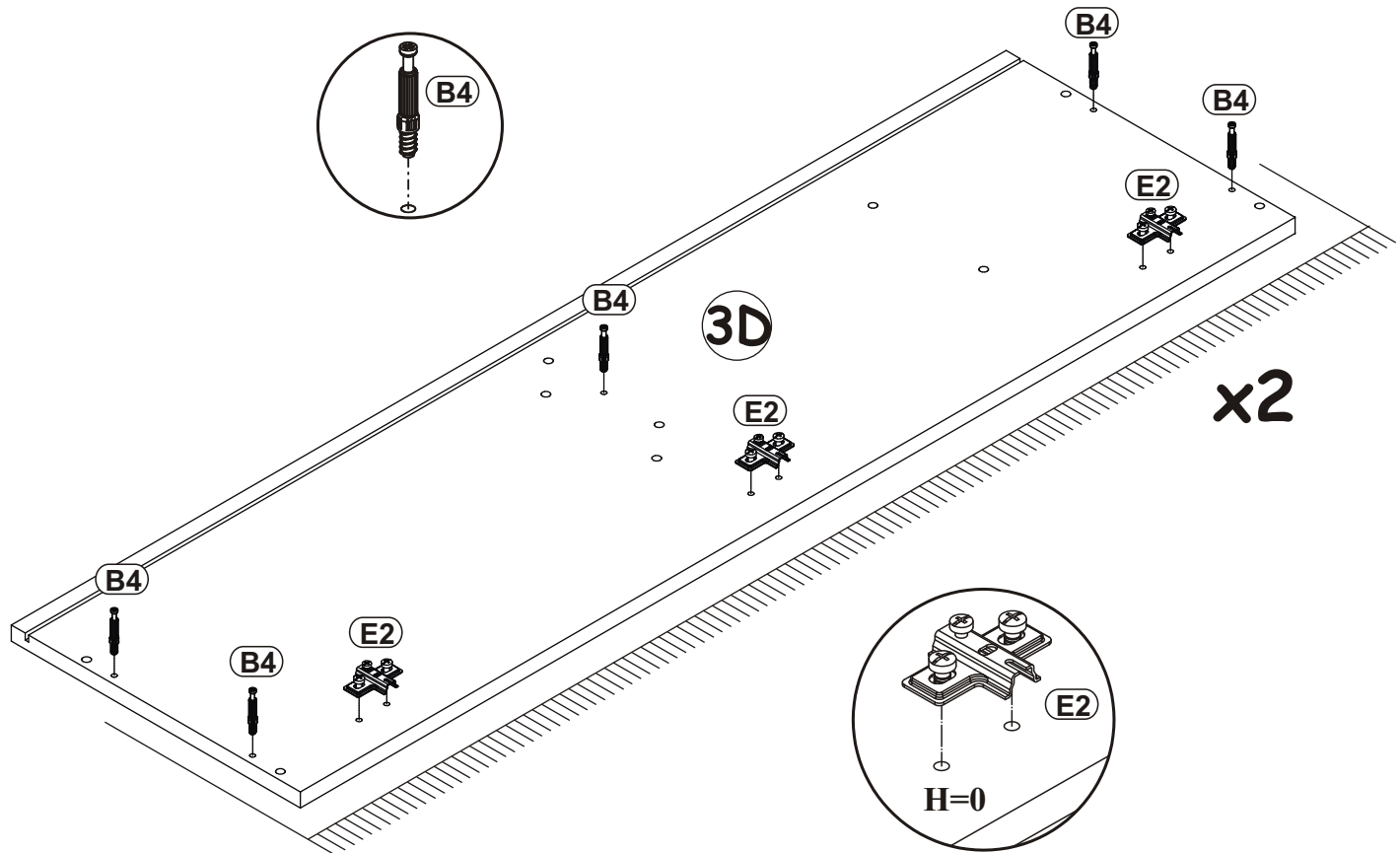


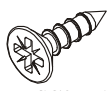
E2

x6

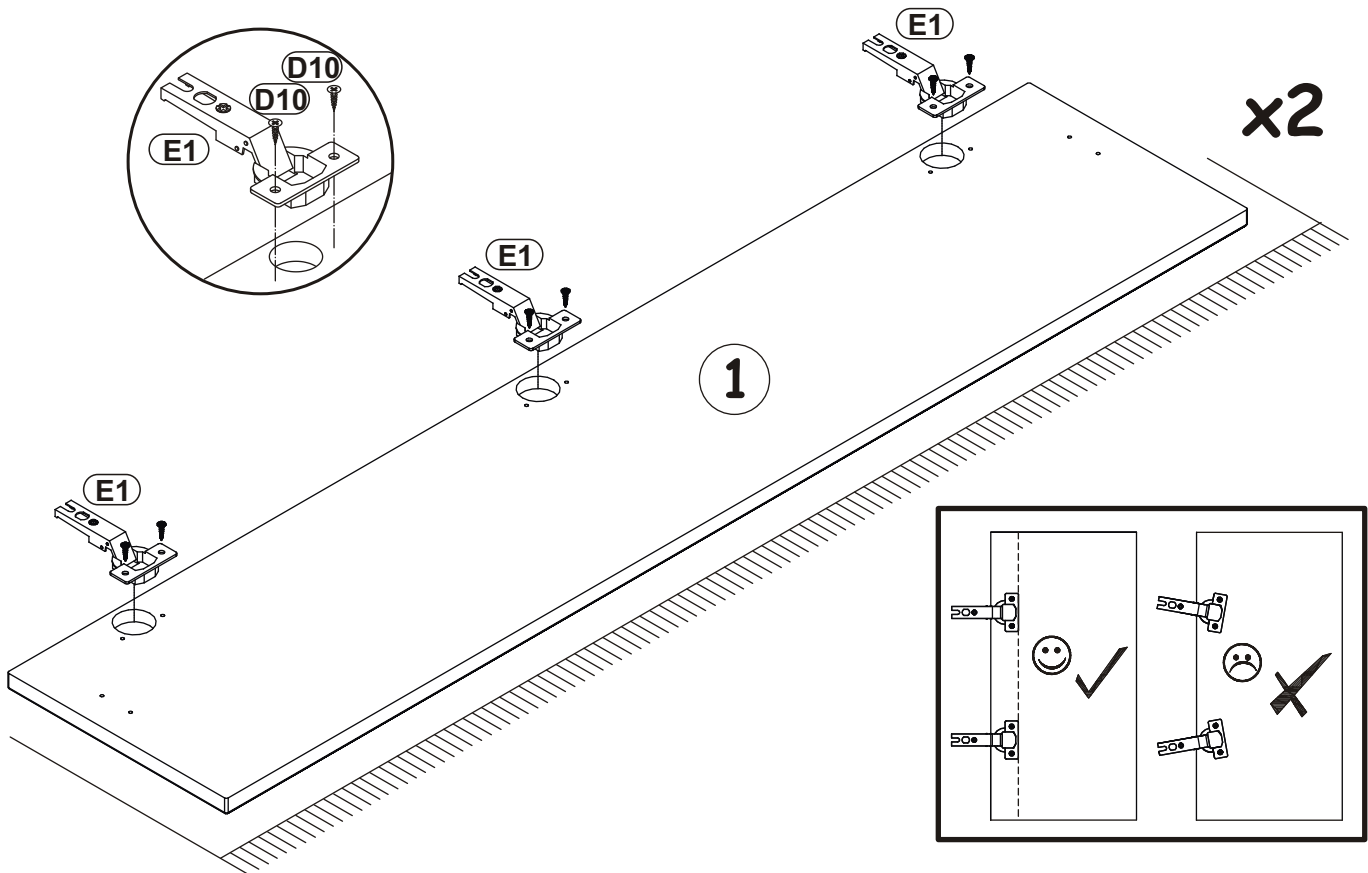


H=0

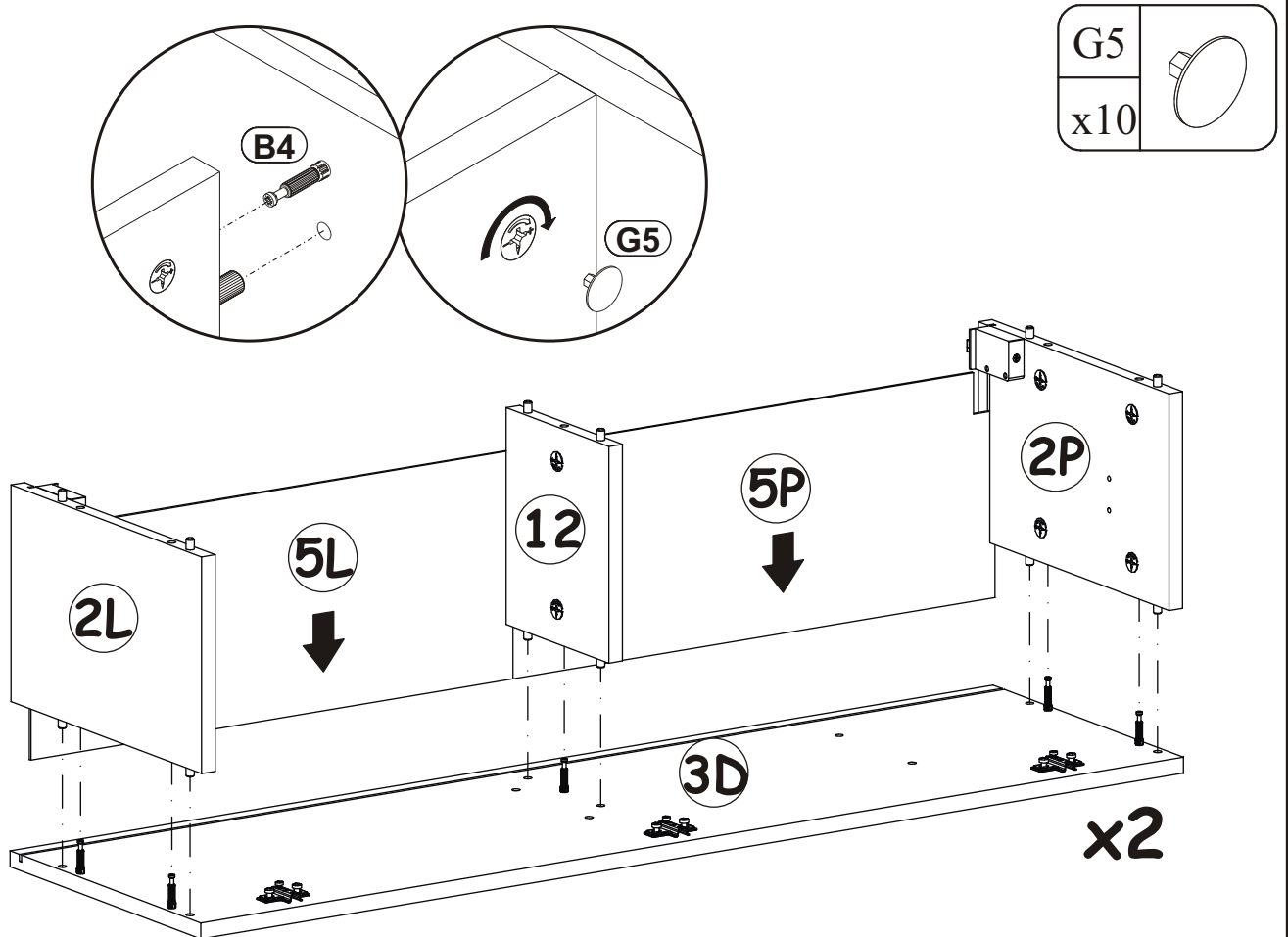


E1	Ø26	D10	 USØ3,5x13
x6	H=0	x12	

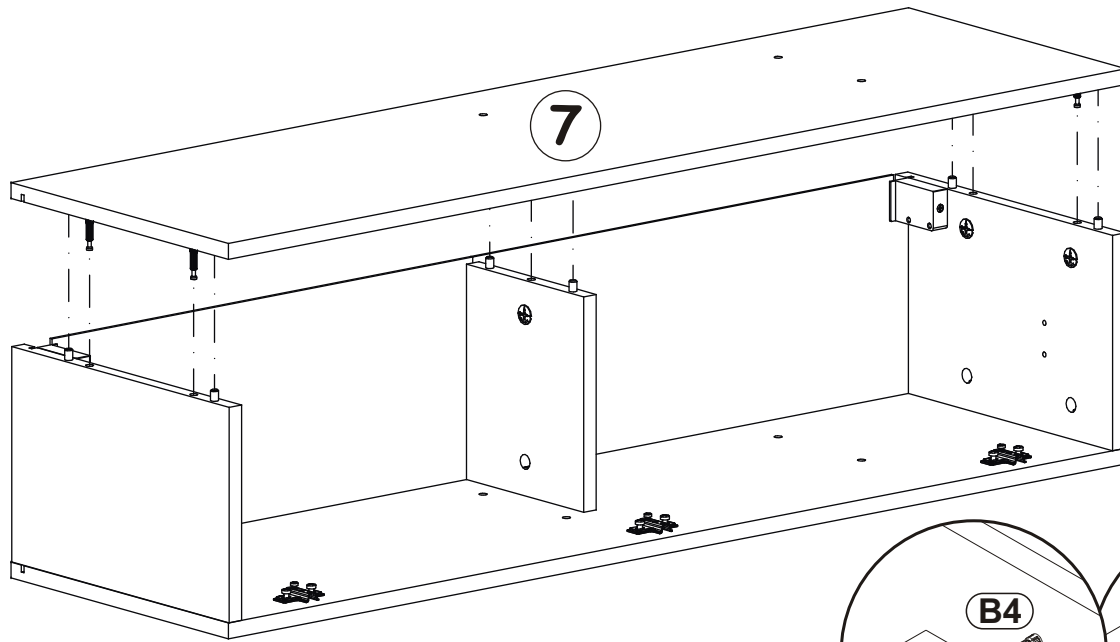
5



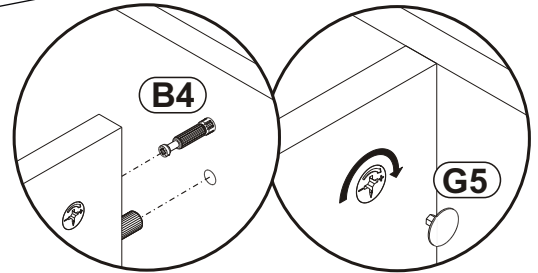
6



7



G5	
x10	



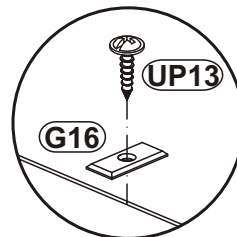
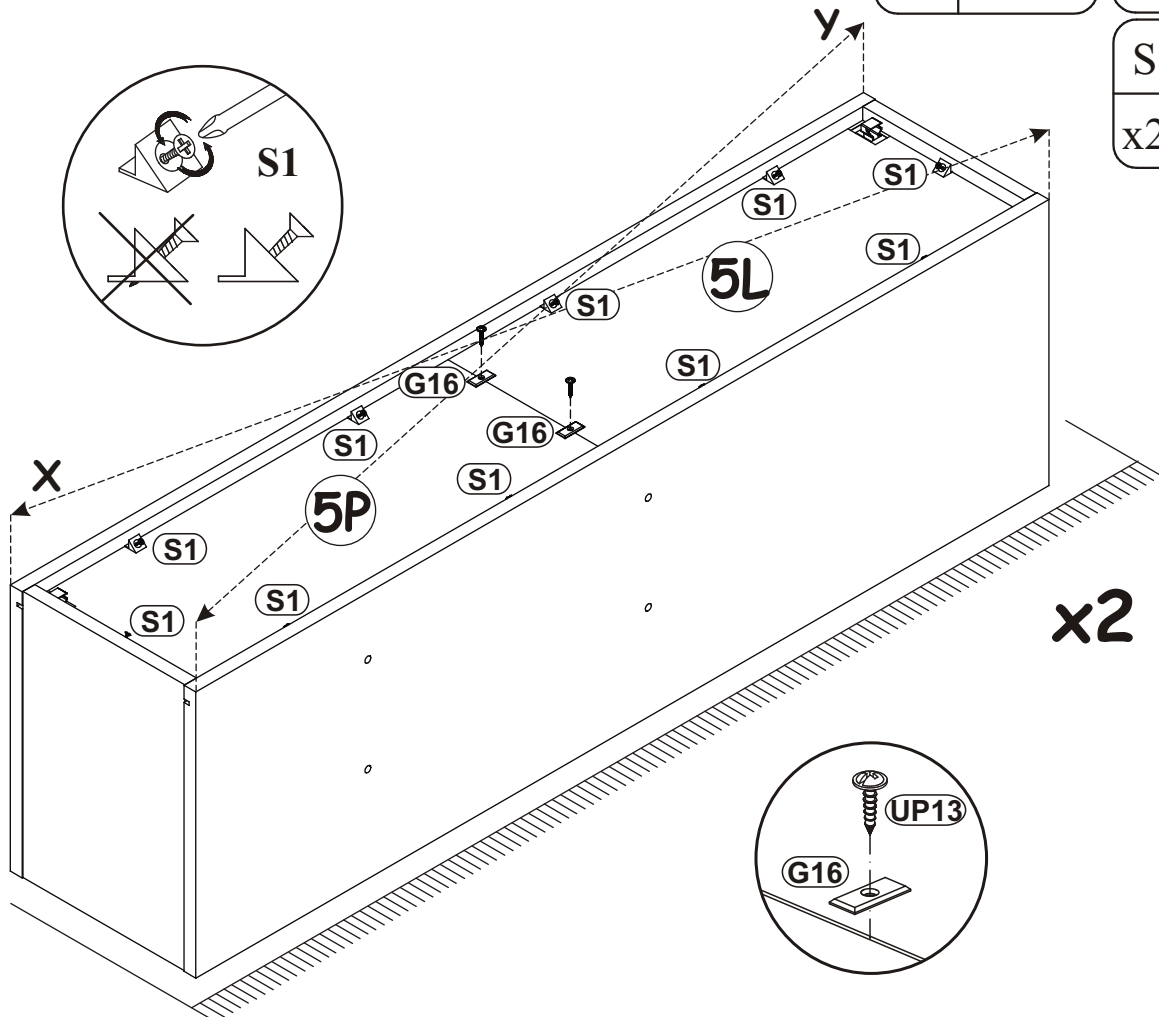
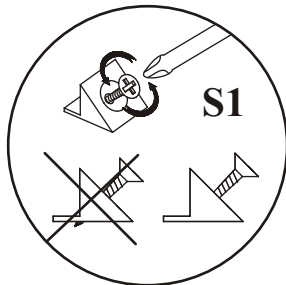
8





G16	
x4	

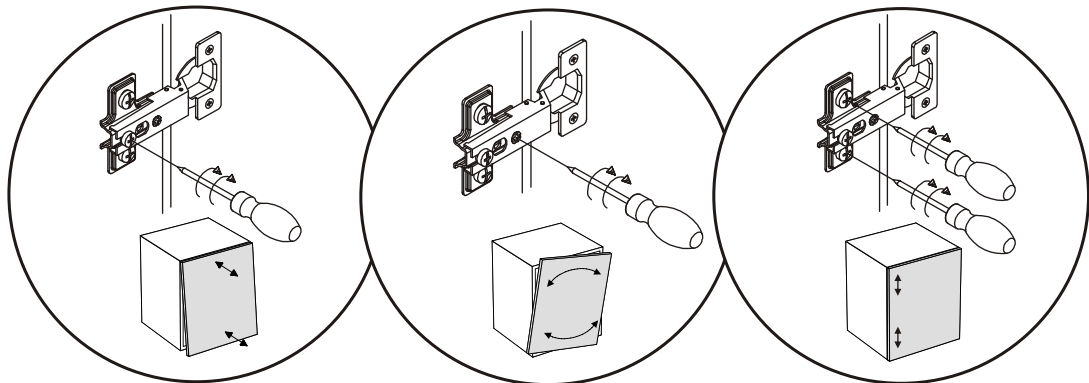
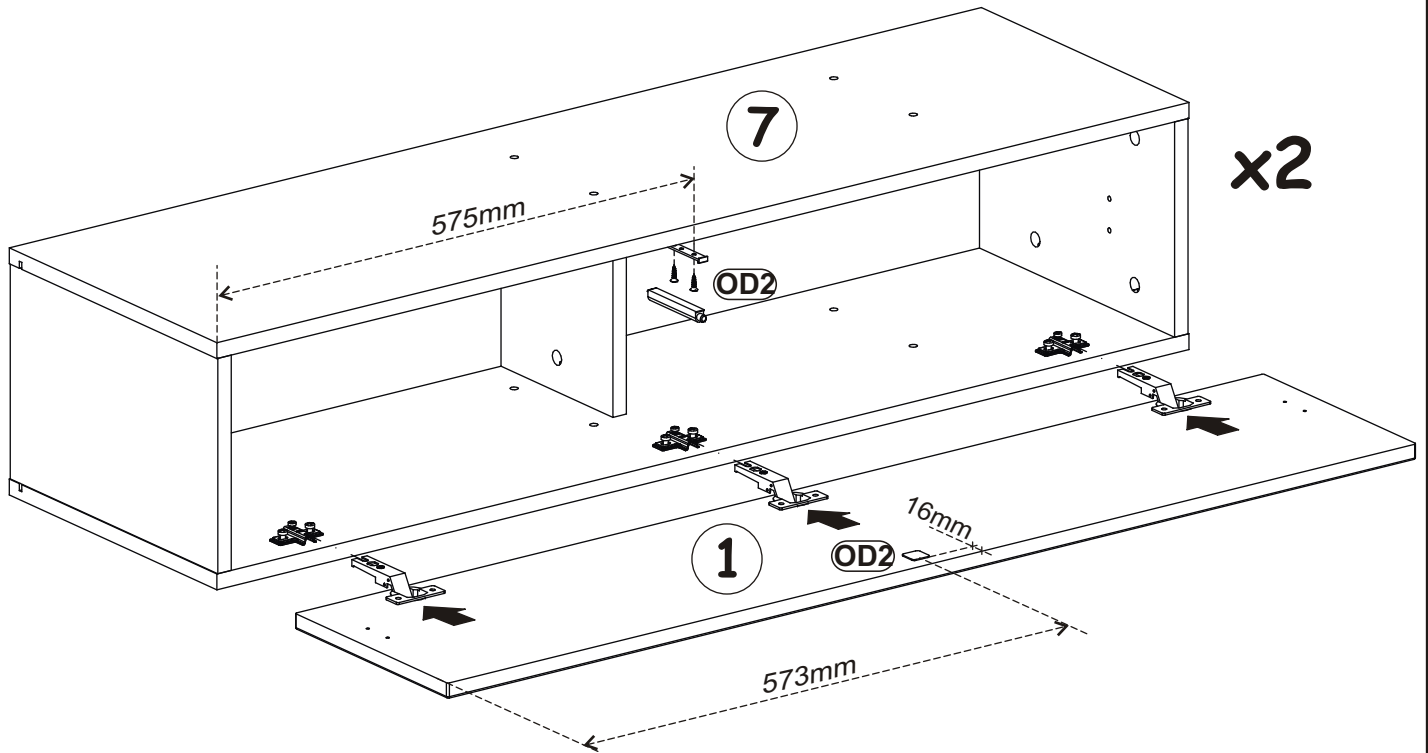
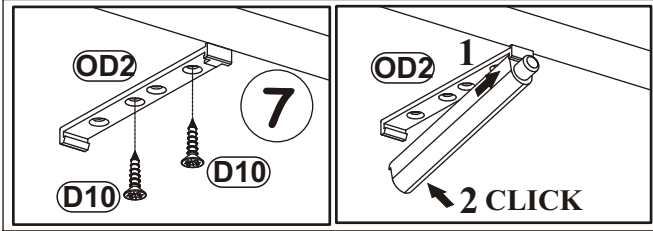
UP13	
x4	UPØ3x16

S1	
x20	



9

OD2		D10	
x2		x4	US03,5x13



10

