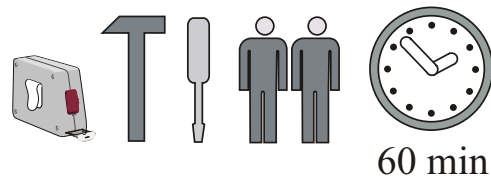
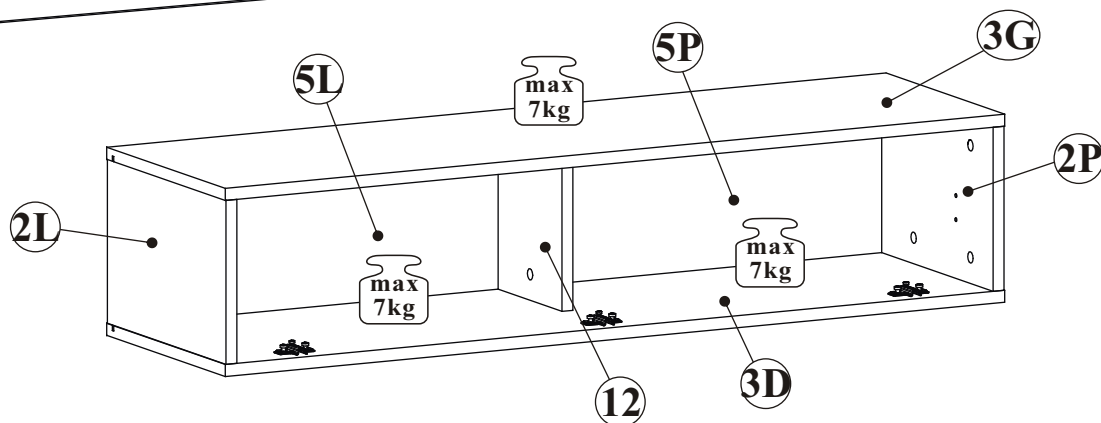
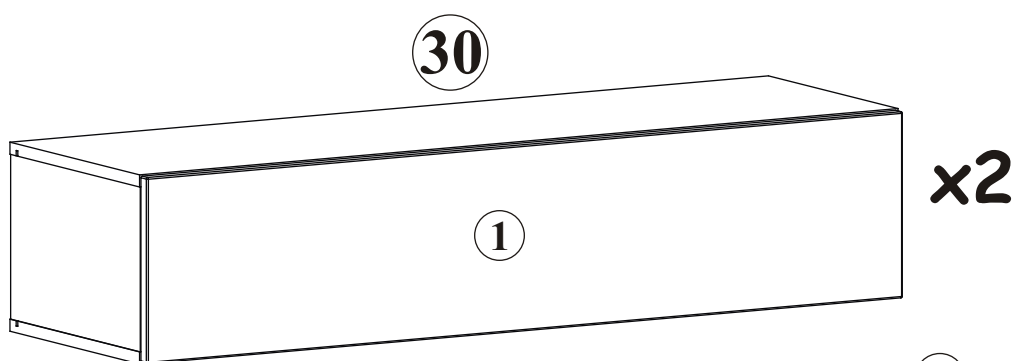
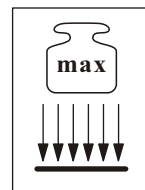
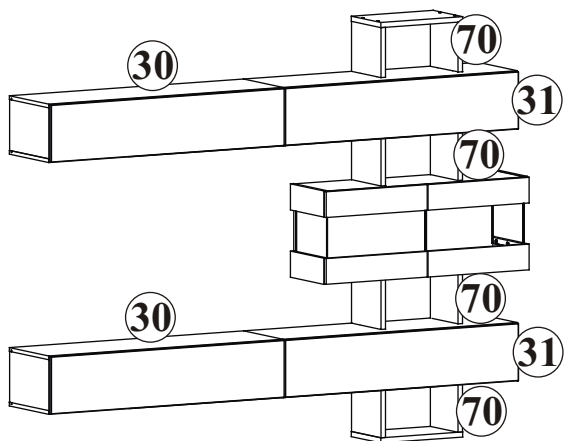
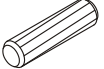
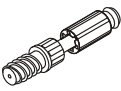
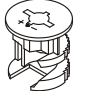

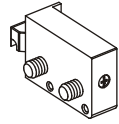
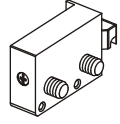
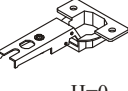
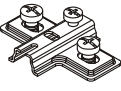

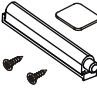


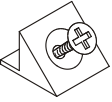
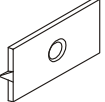

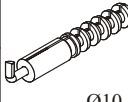



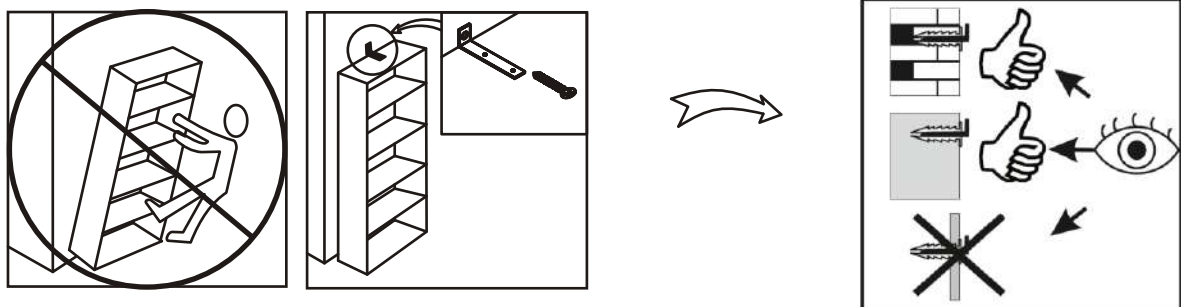
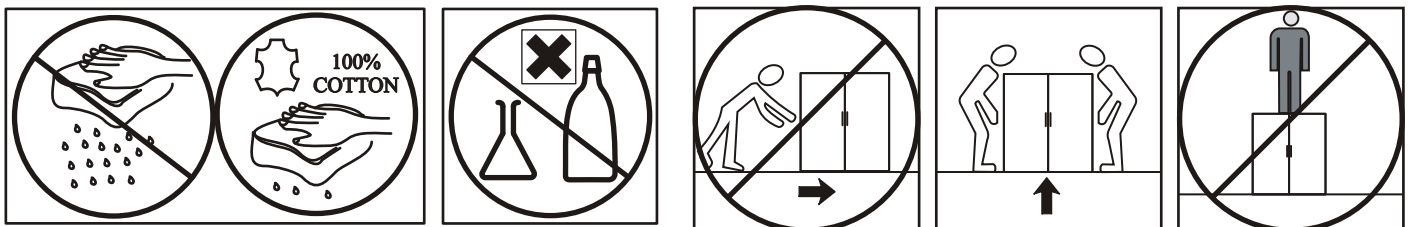
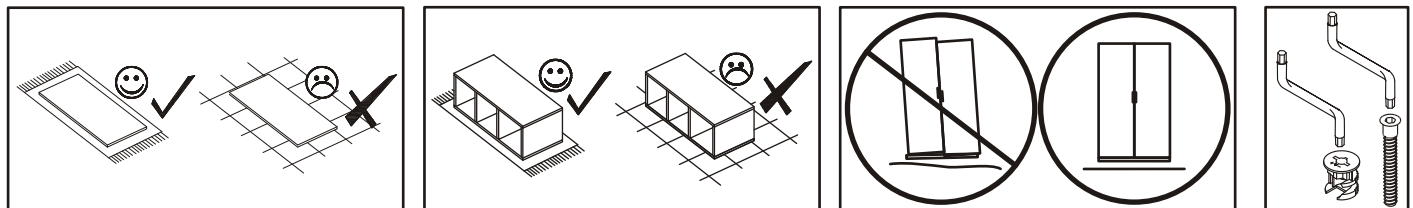
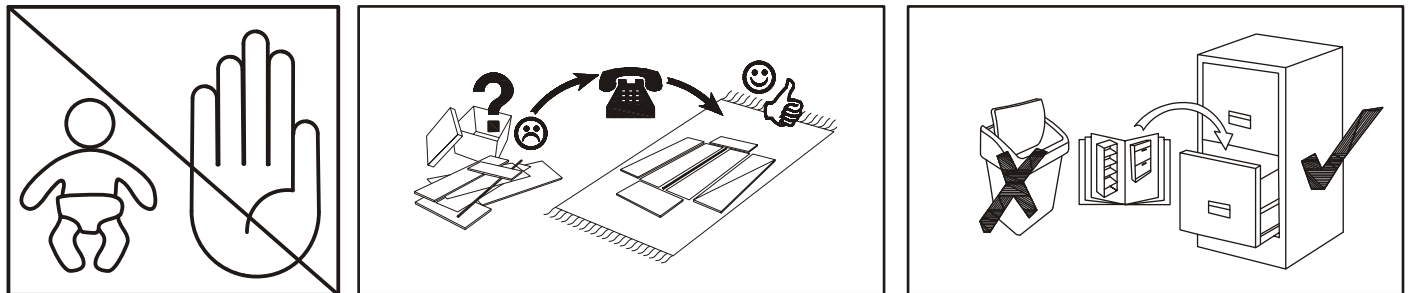
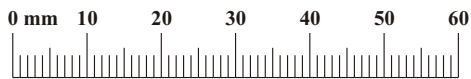
TOKYO 20_TK TYP 30

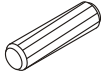
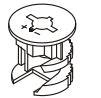
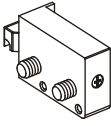
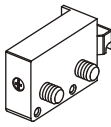


NO	Dim.			Col.-No	Qty
1	1146	246	16	3/5.	2
2L	218	334	16	1/5.	2
2P	218	334	16	1/5.	2
12	218	180	16	1/5.	2
3D	1150	334	16	1/5.	2
3G	1150	334	16	1/5.	2
5L	564	230	3	1/5.	2
5P	564	230	3	1/5.	2

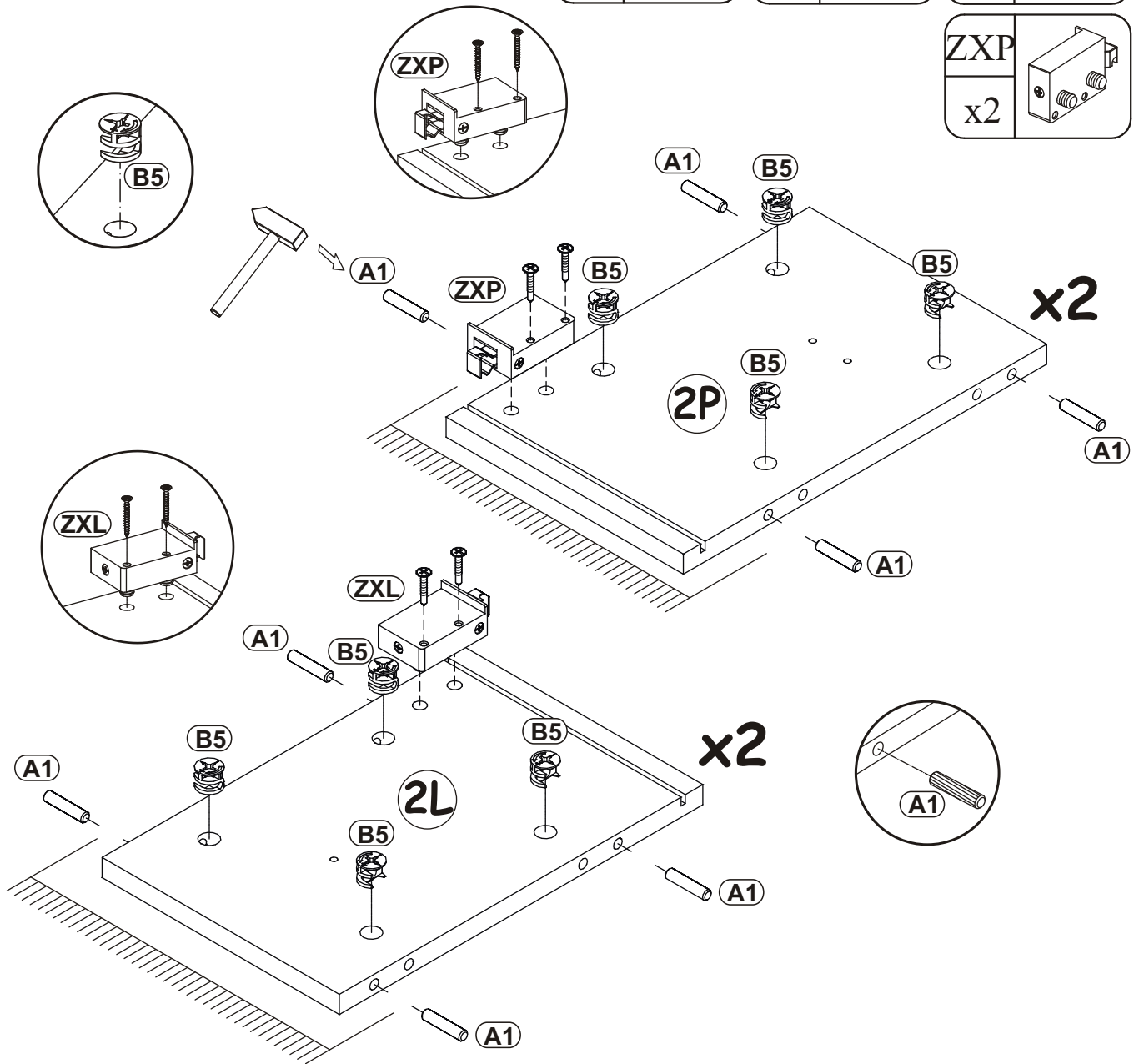
TOKYO 20_TK TYP 30

A1 x24  ø8x36	B4 x20 	B5 x20  Ø15x12	G5 x20 	ZXL x2 	ZXP x2 
E1 x6 Ø26  H=0	E2 x6  H=0	D10 x24  USØ3,5x13	OD2 x2 	G21 x4 	D7 x12  USØ3x16
S1 x20 	G16 x4 	UP13 x4  UPØ3x16	KR3 x4  Ø10	G2 x1 	

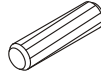
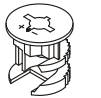


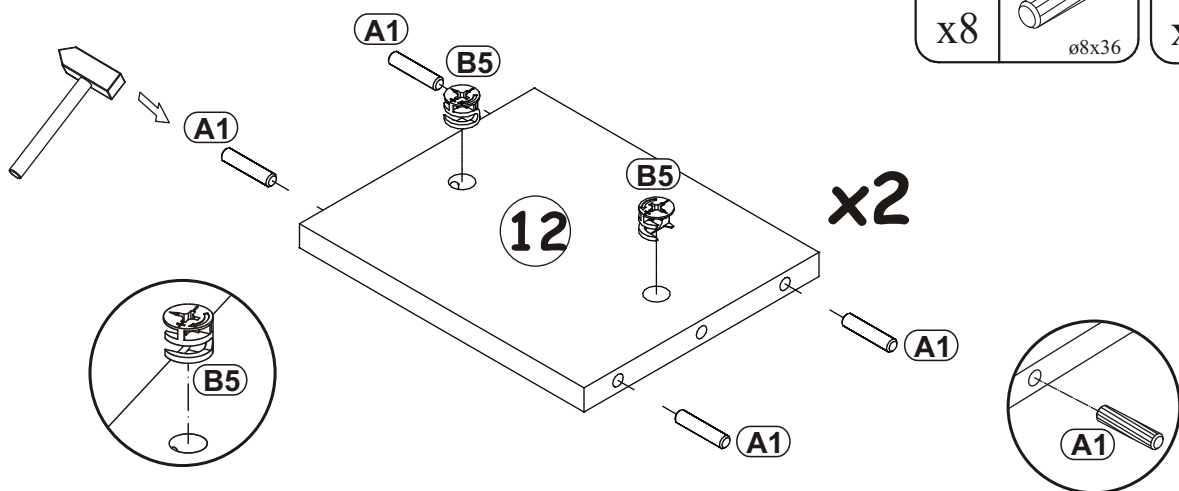
A1		B5		ZXL	
x16	ø8x36	x16	Ø15x12	x2	
				ZXP	
				x2	

1



2

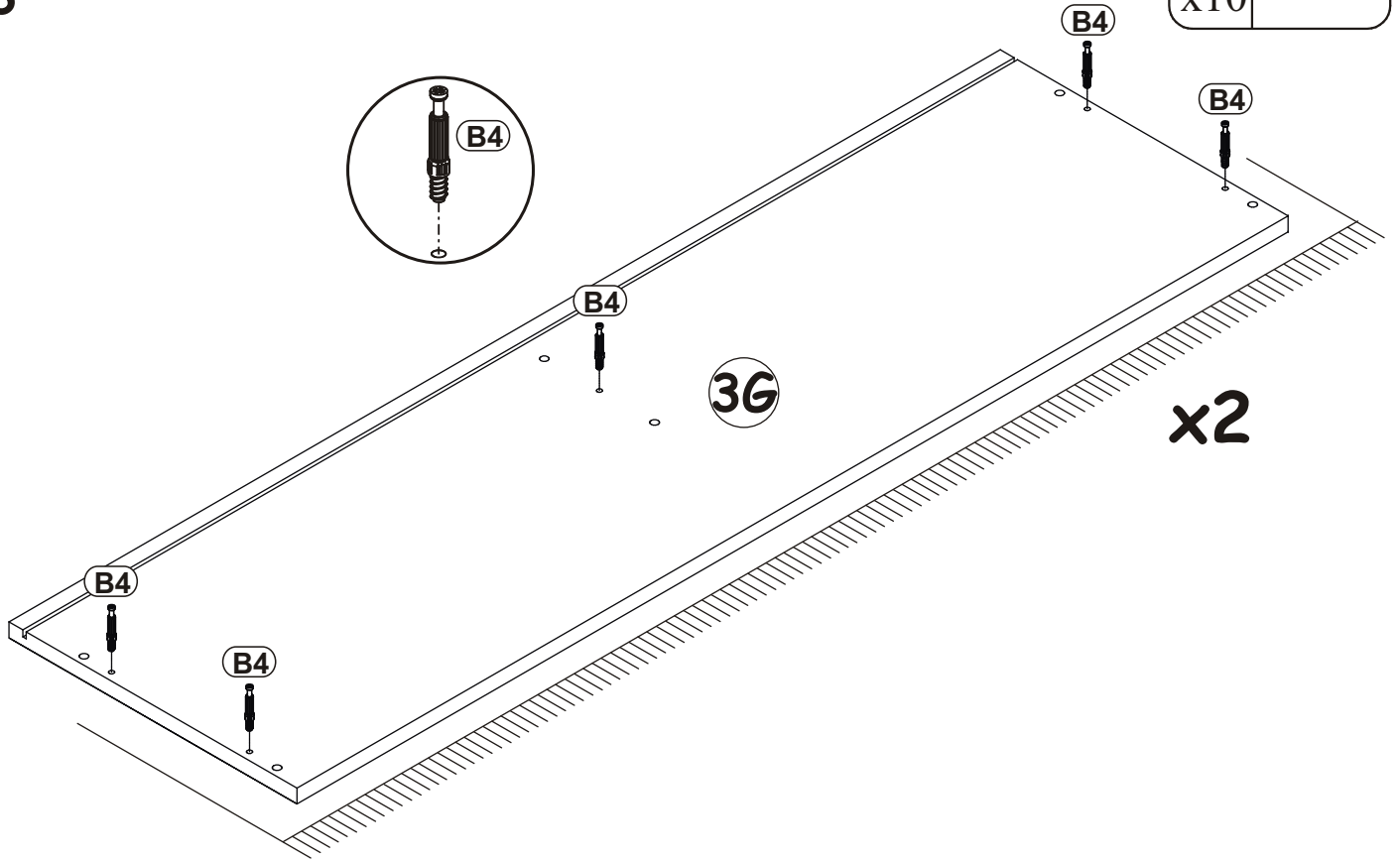
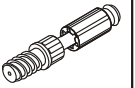
A1		B5	
x8	ø8x36	x4	Ø15x12



3

B4

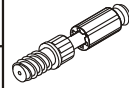
x10



4

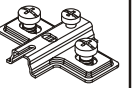
B4

x10

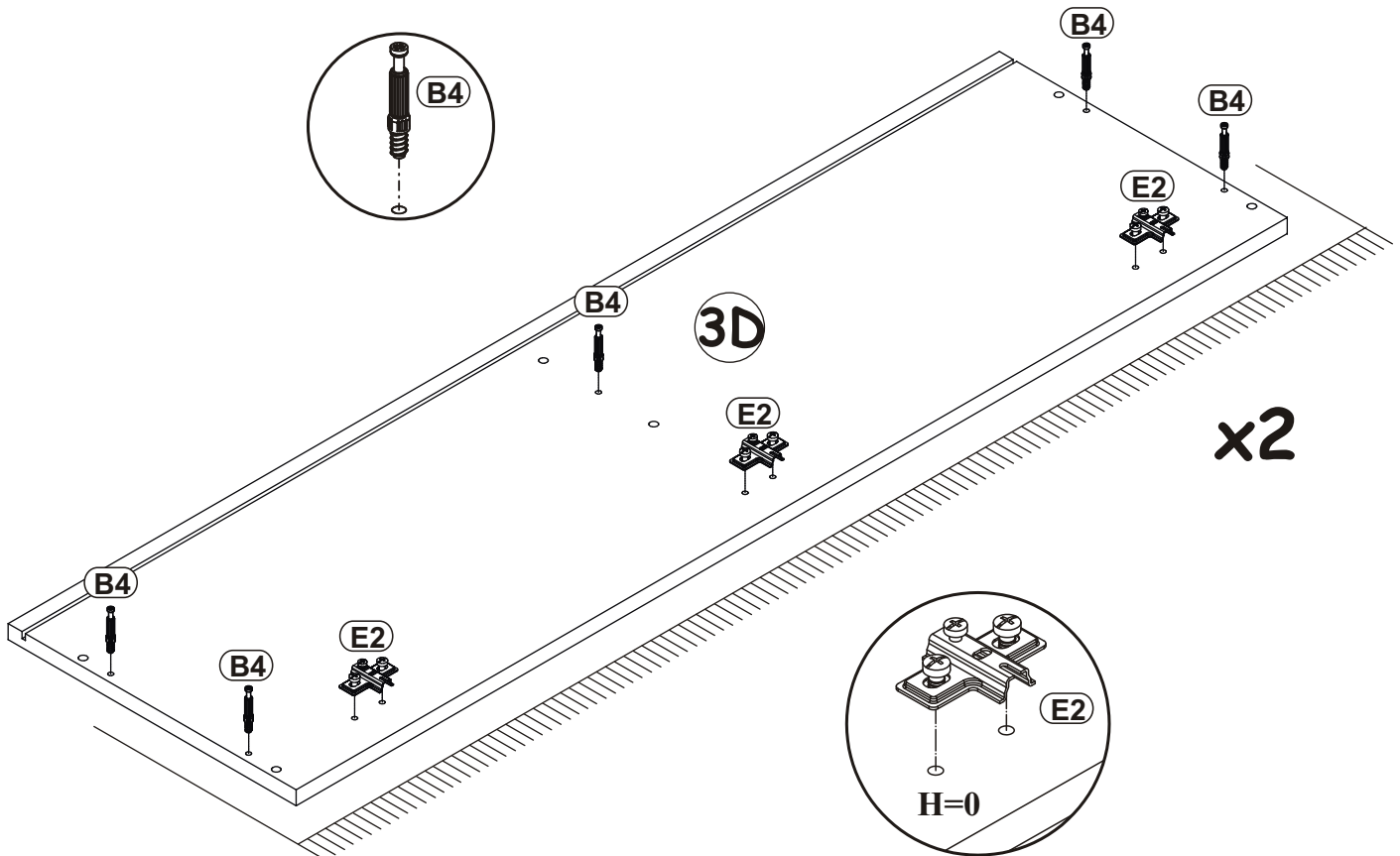


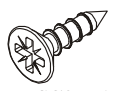
E2

x6

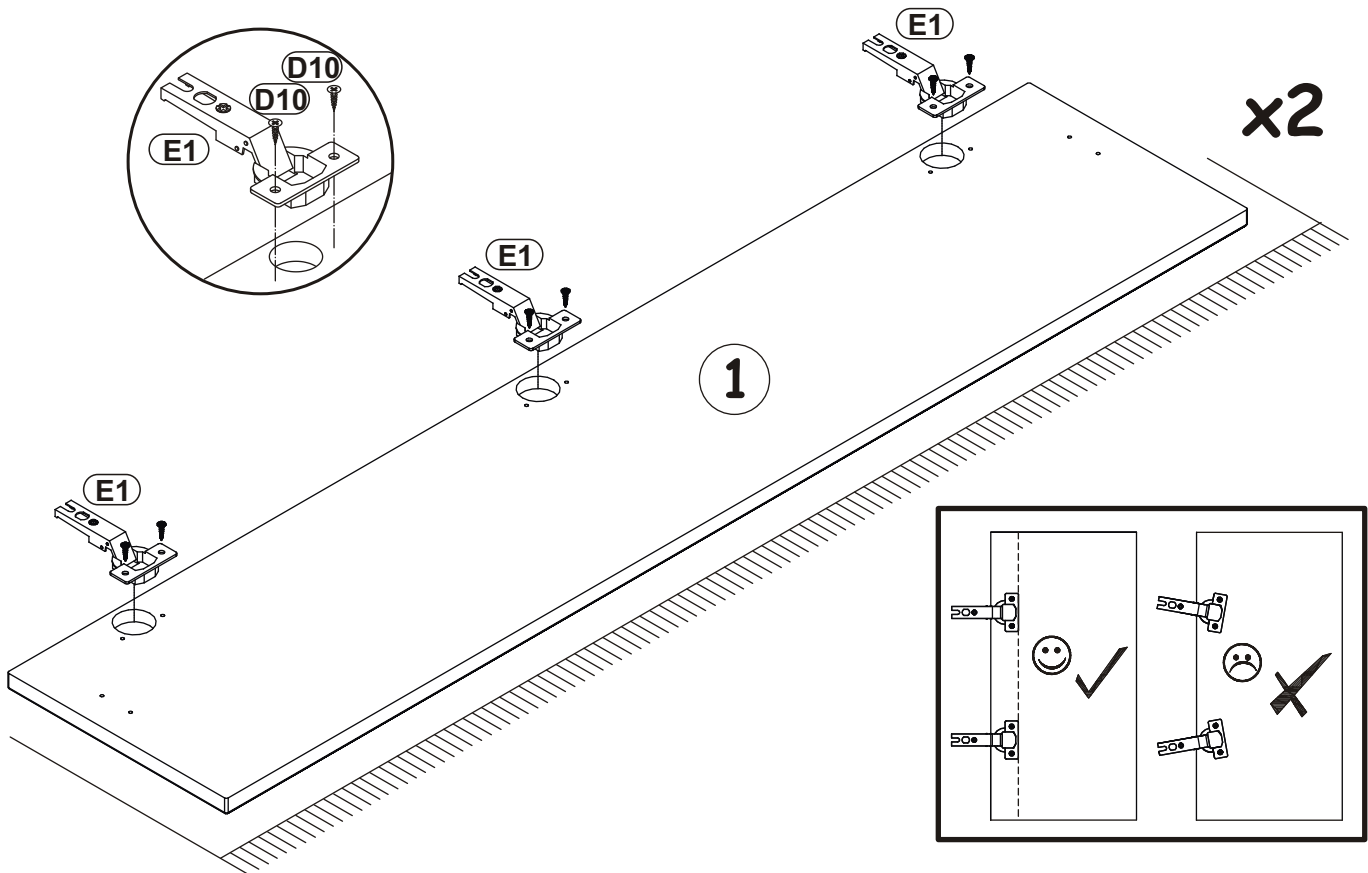


H=0




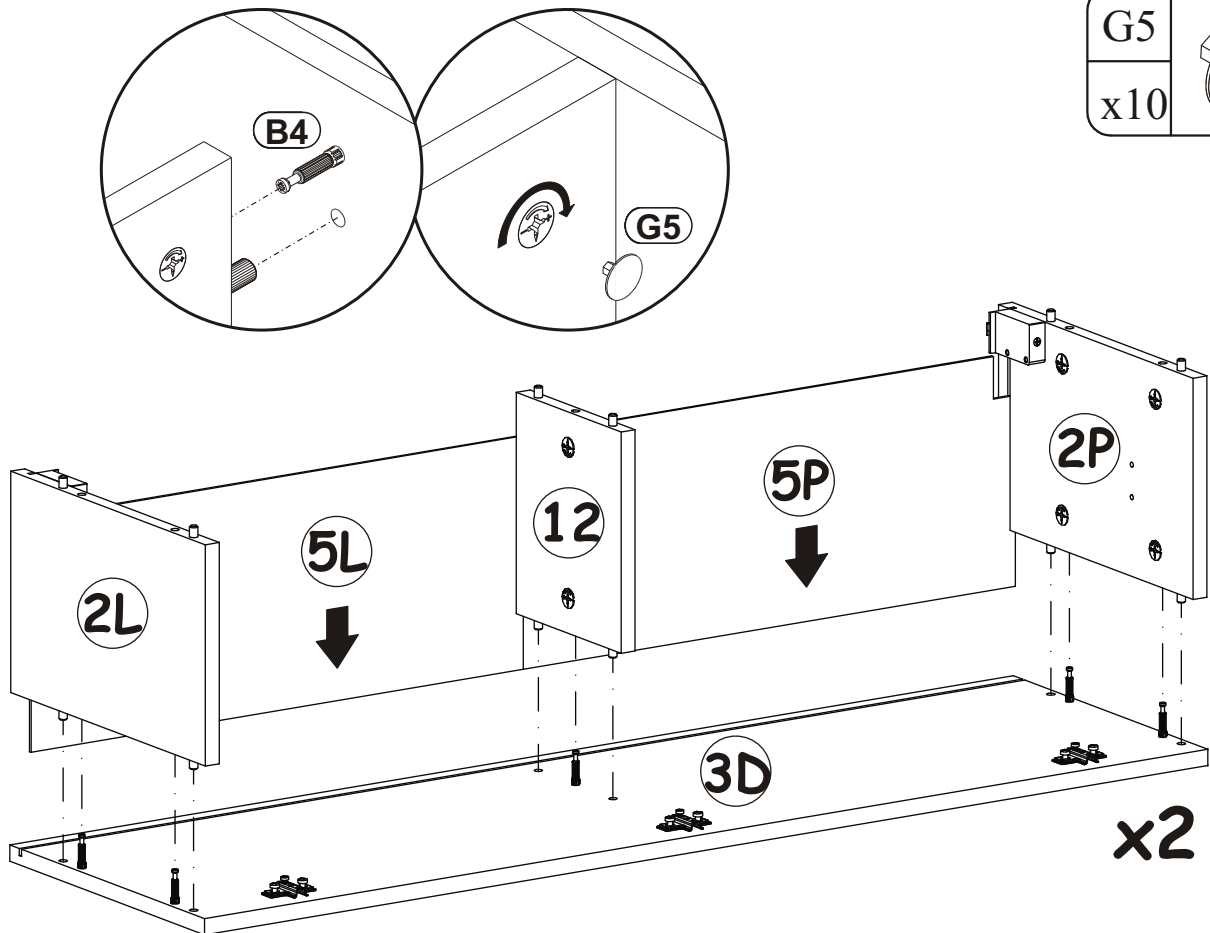
E1	Ø26	D10	 USØ3,5x13
x6	H=0	x12	

5




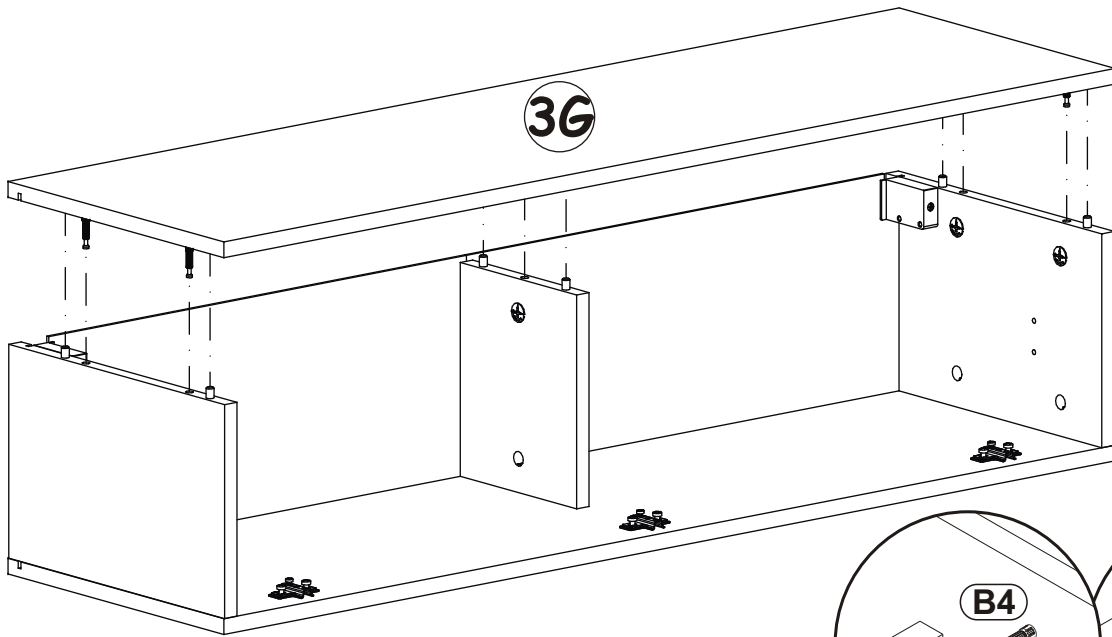
6

G5	
x10	

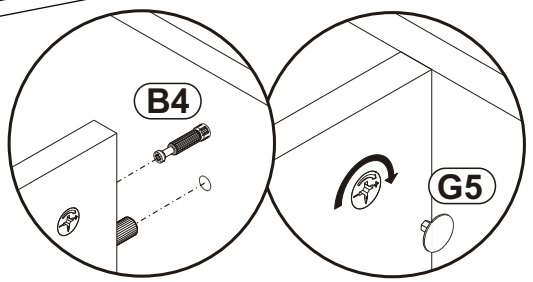


7

G5	
x10	

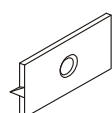



x2

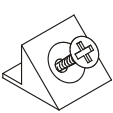


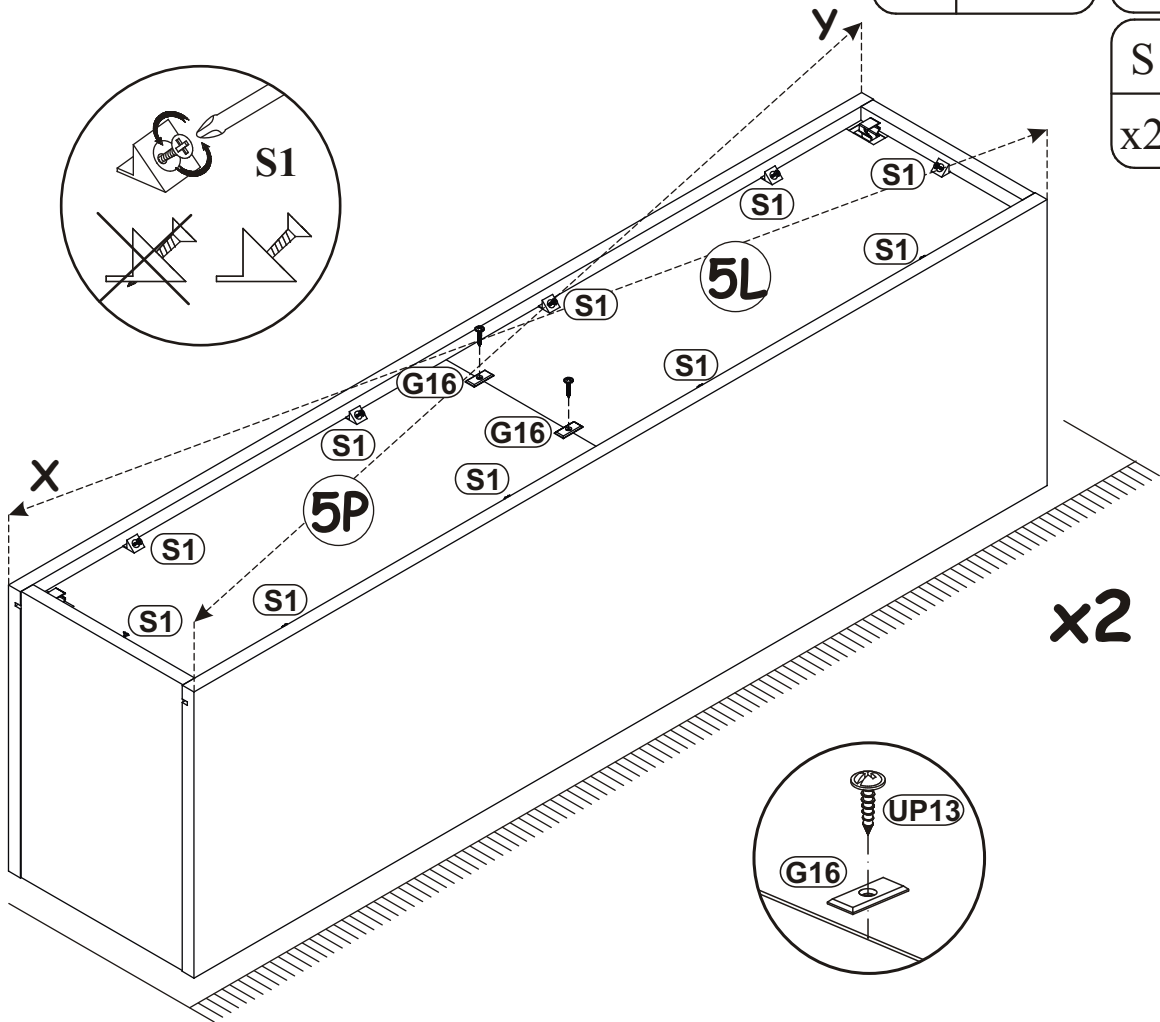
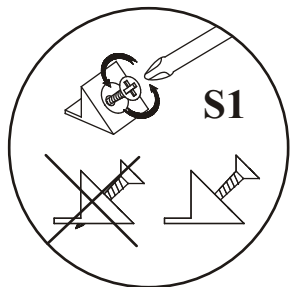
8



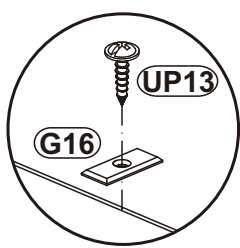
G16	
x4	

UP13	
x4	UPØ3x16



S1	
x20	

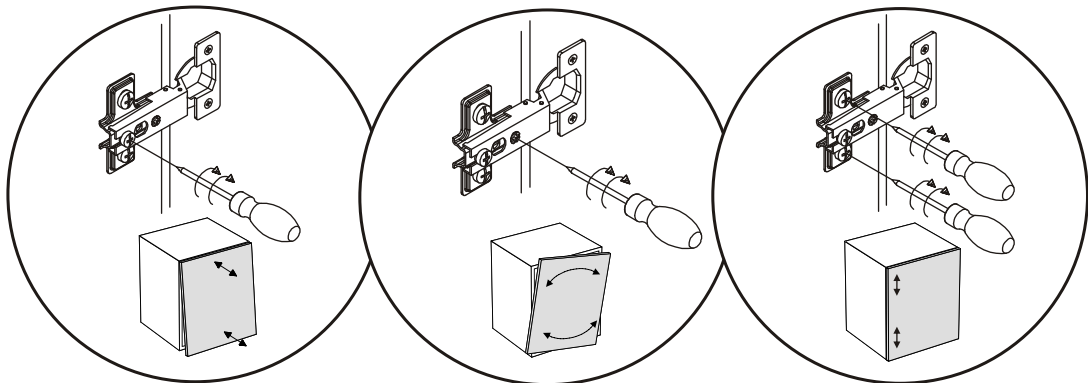
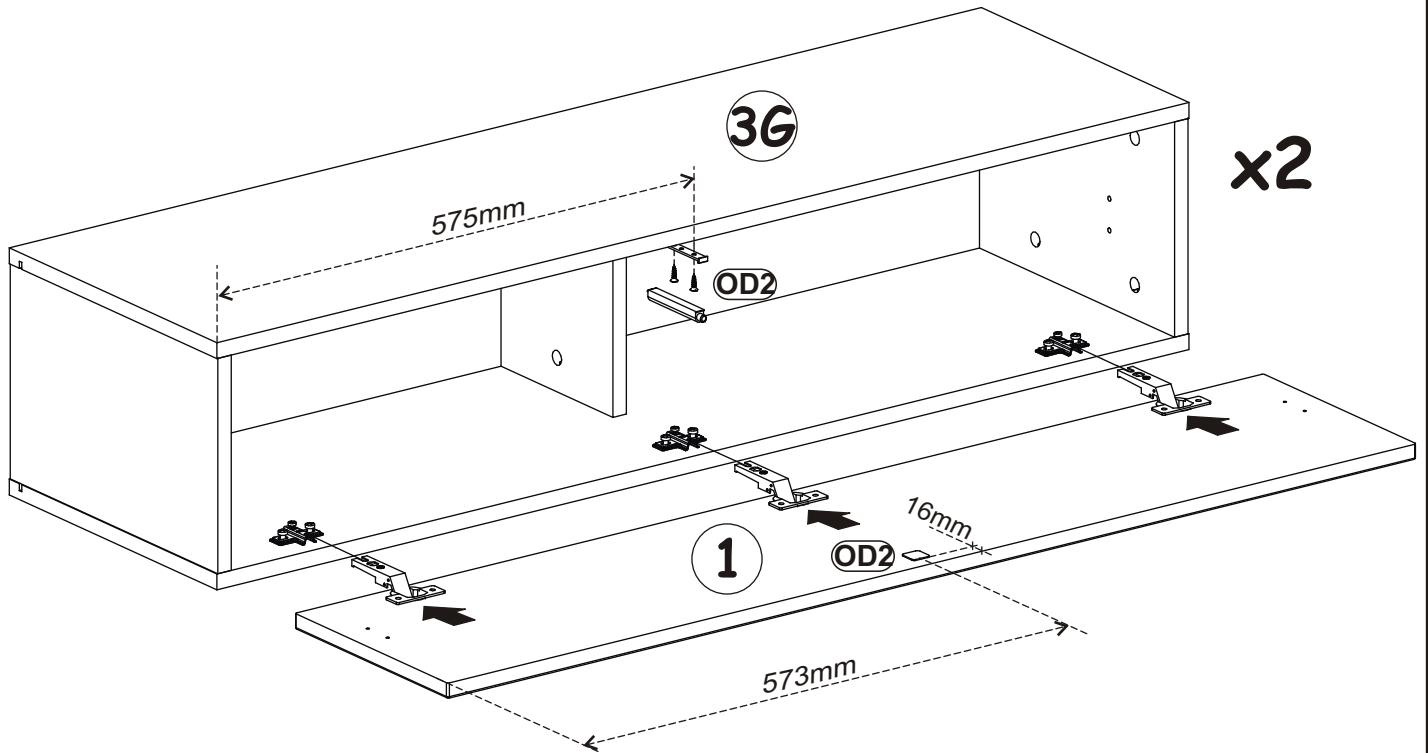
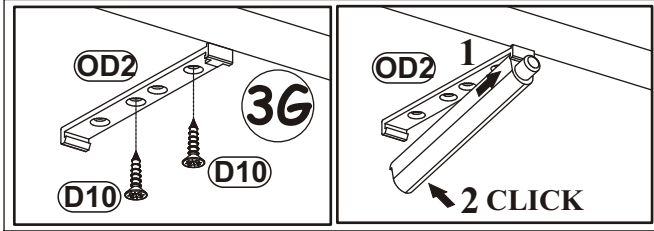


x2



9

OD2		D10	
x2		x4	US03,5x13



10

