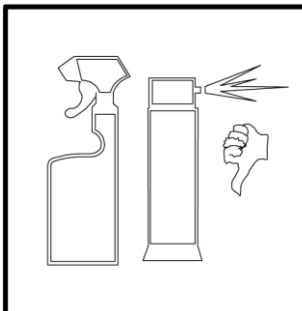
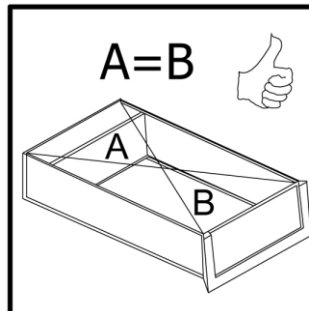
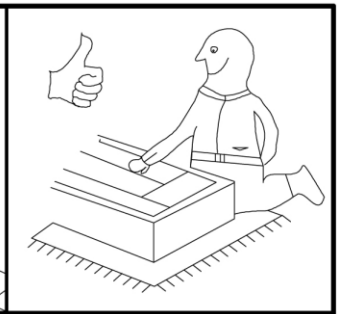
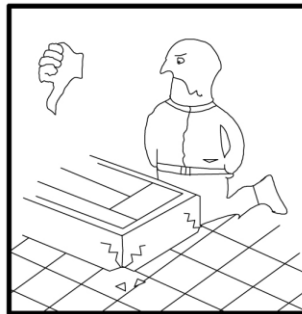
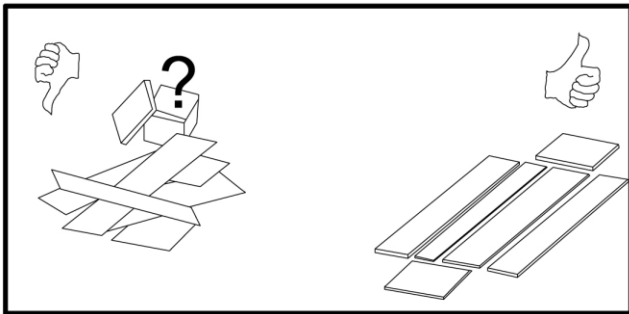
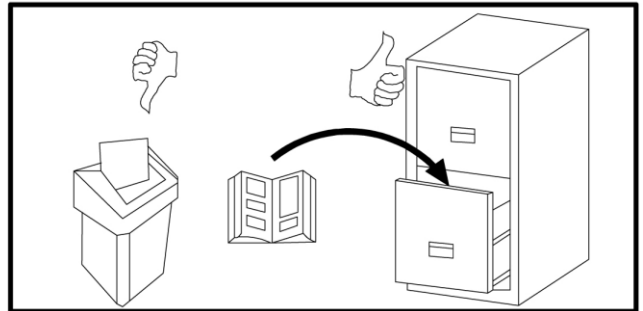
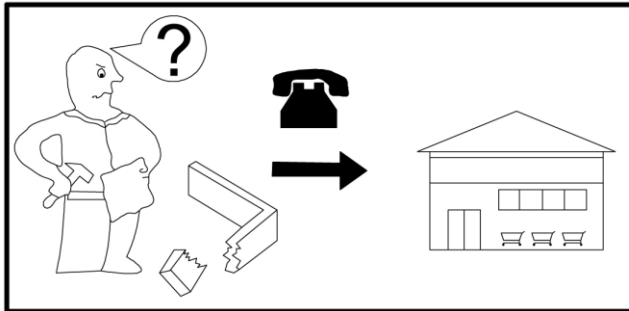
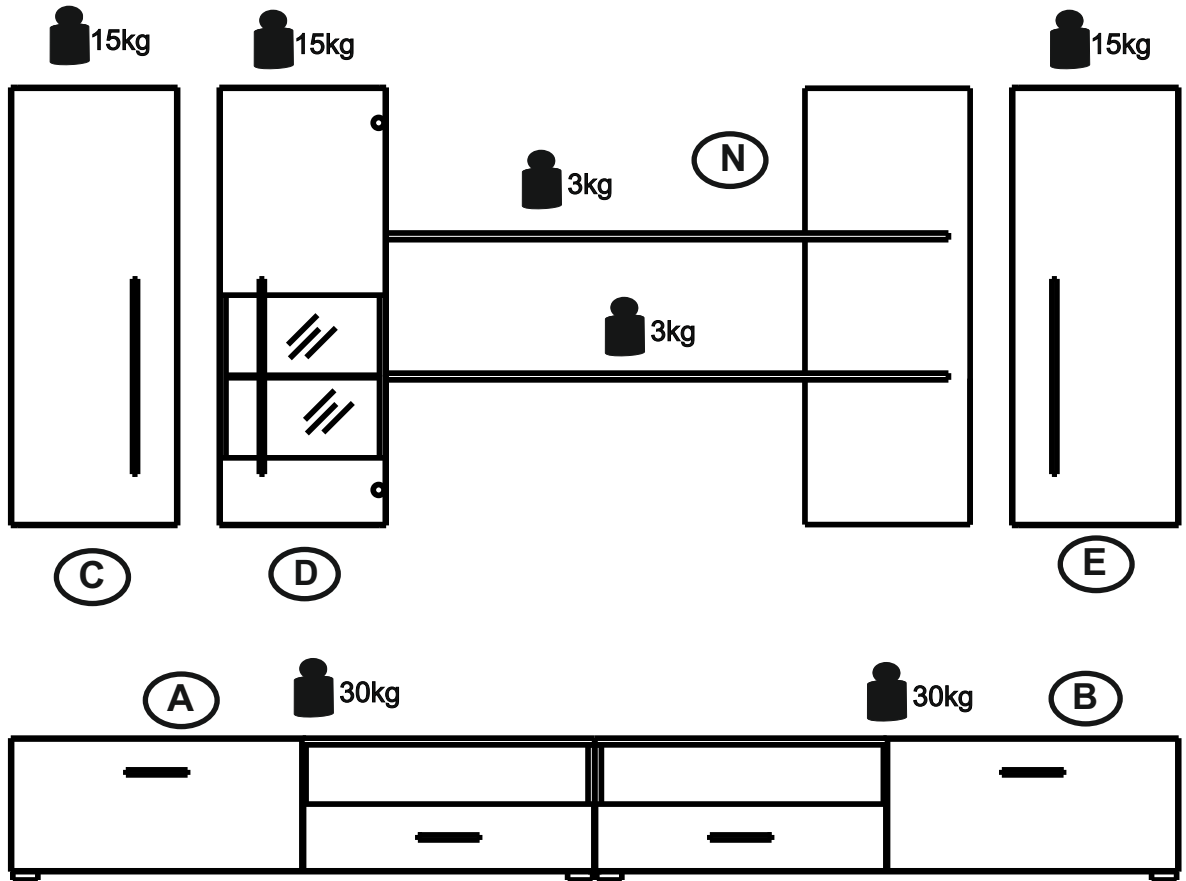
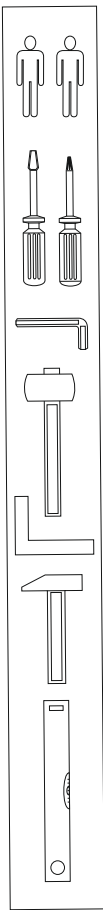


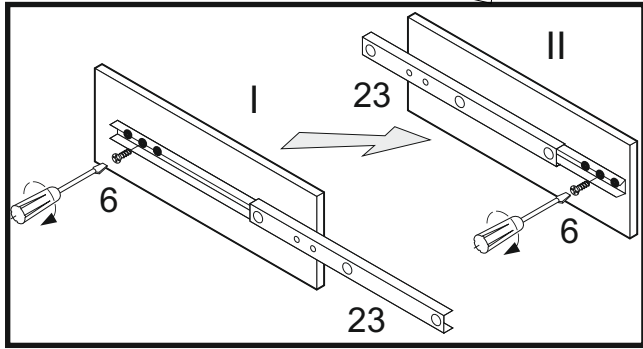
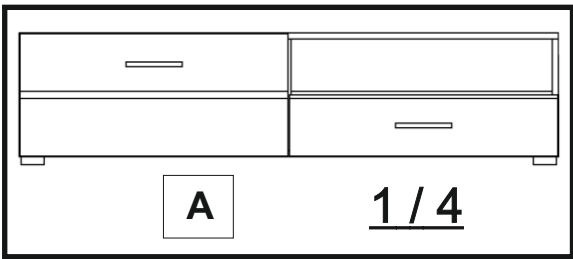
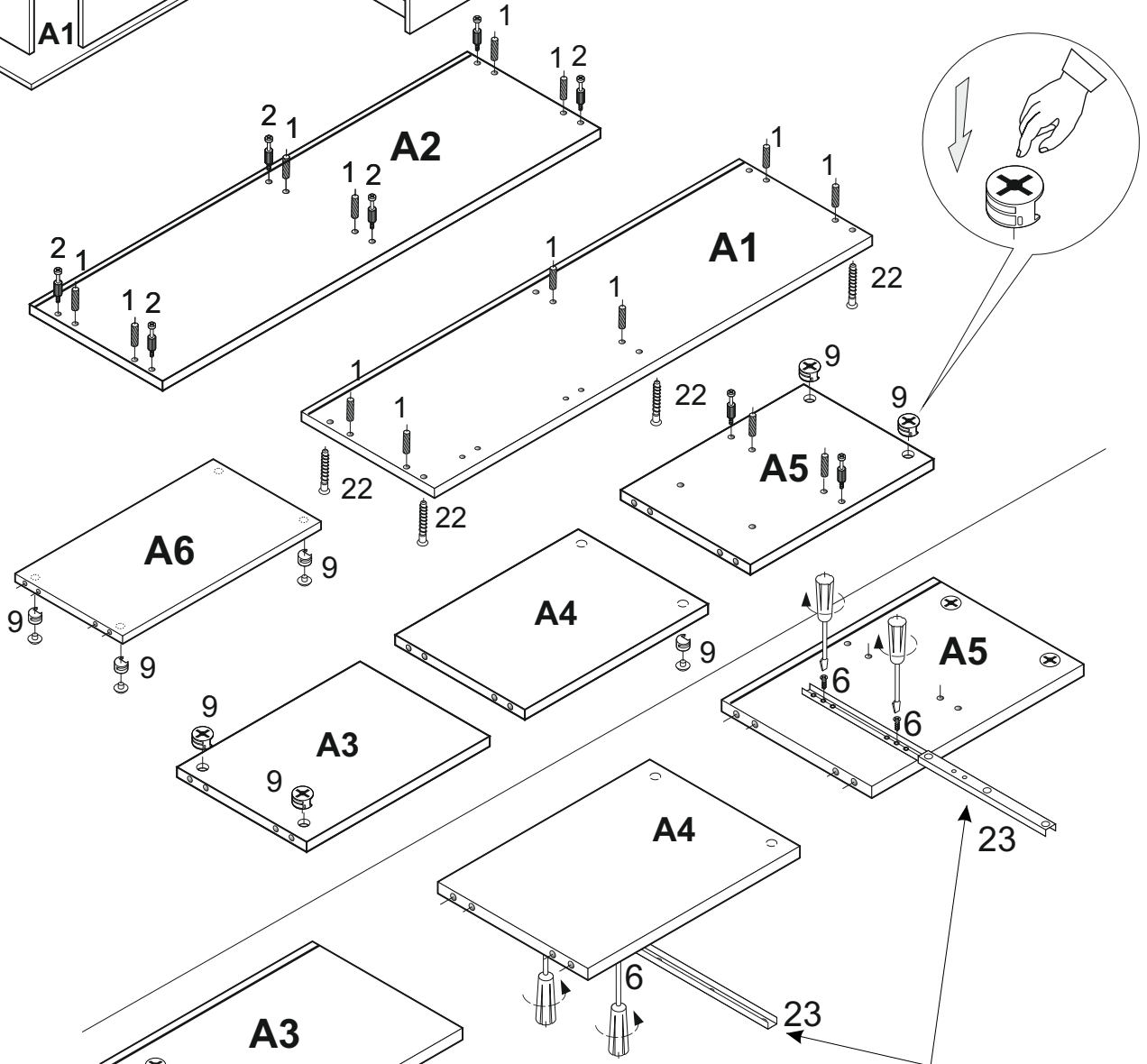
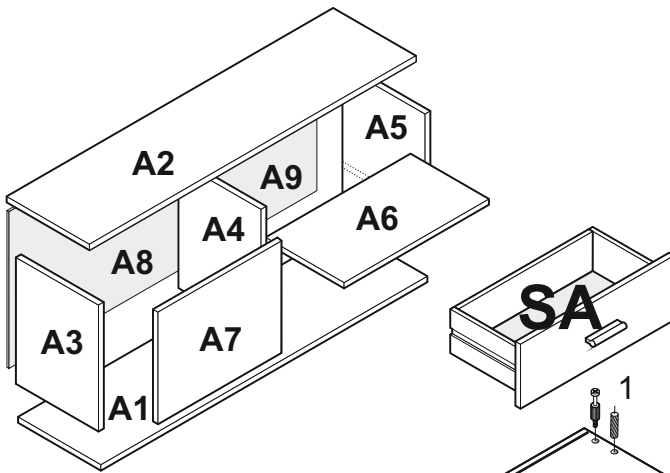
MILAN / TORINO

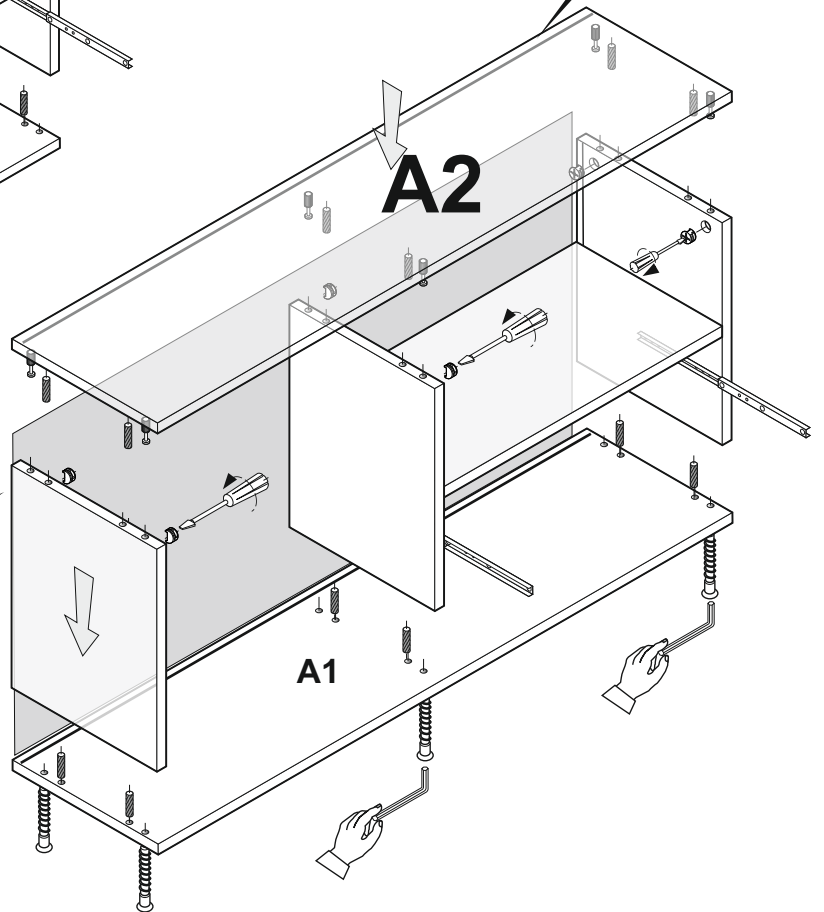
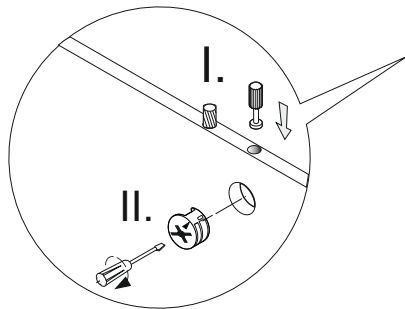
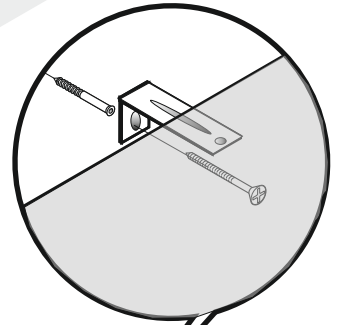
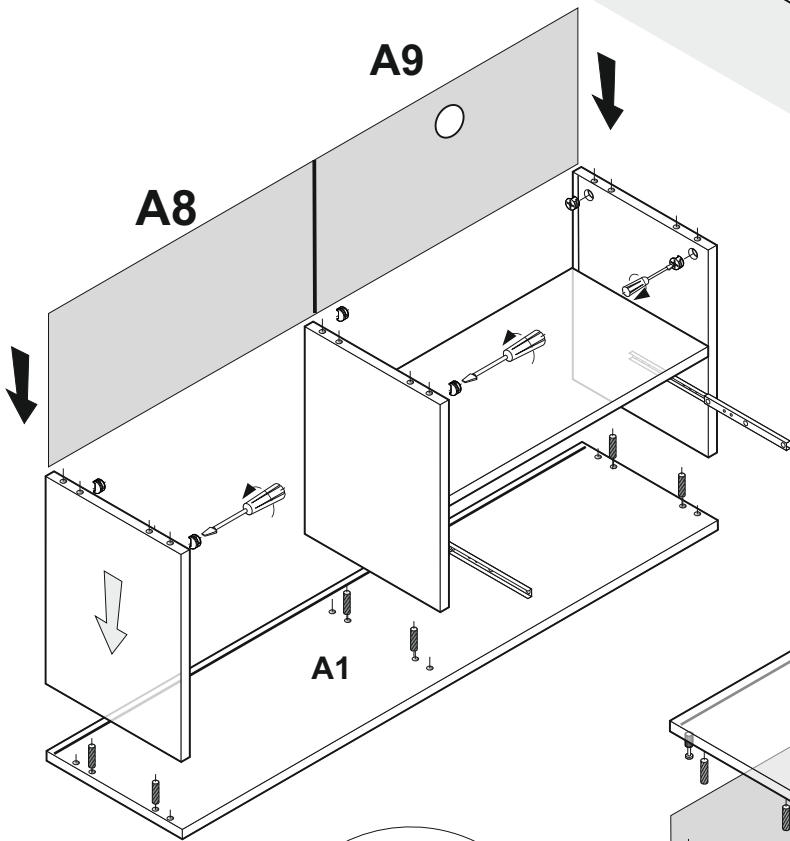
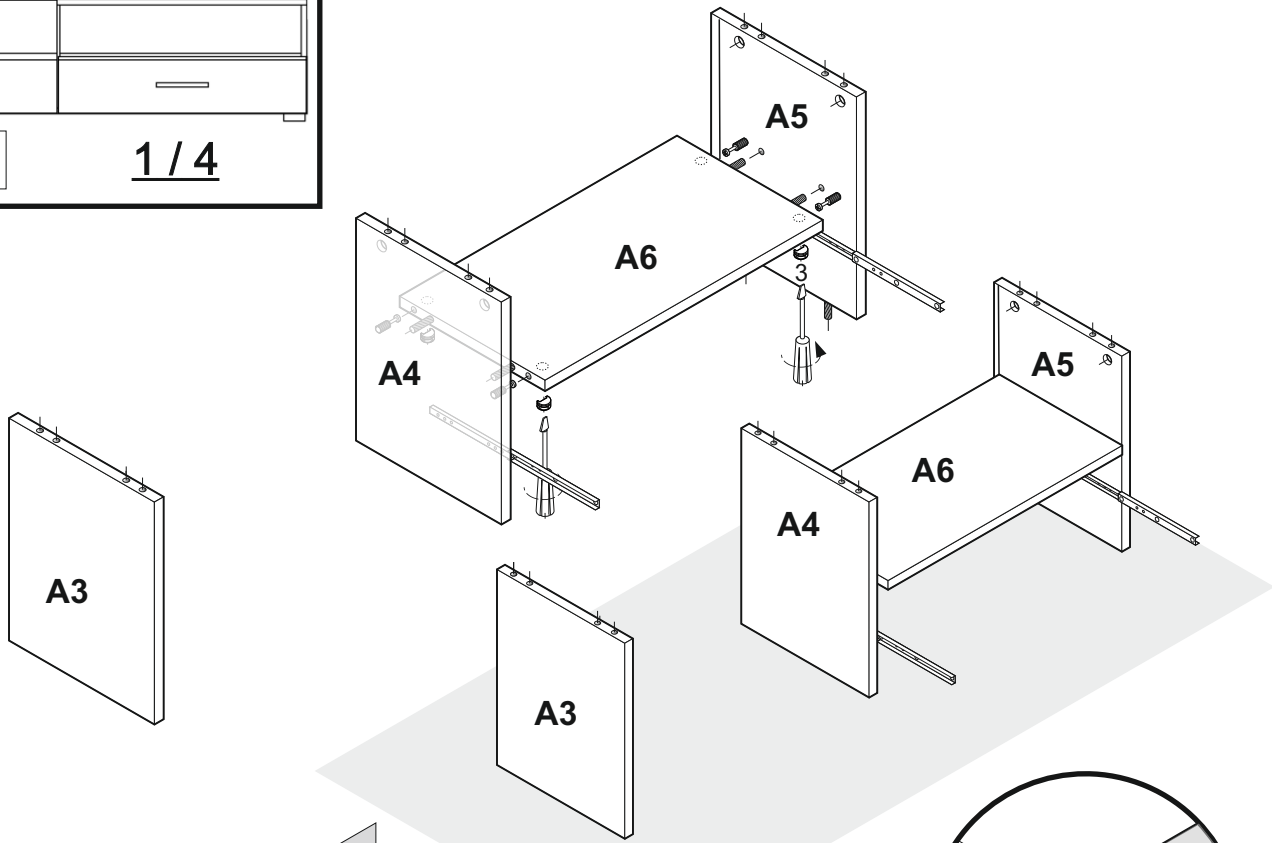
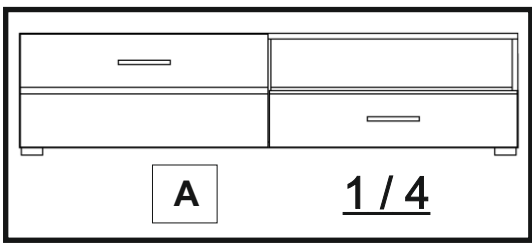


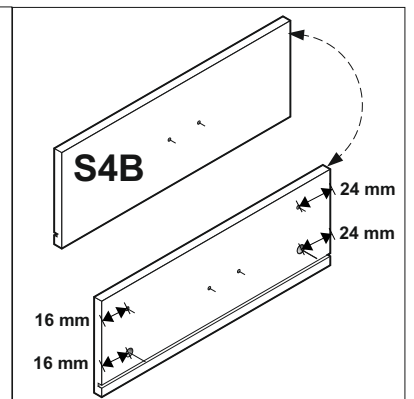
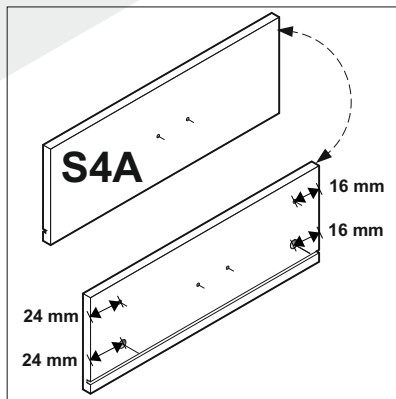
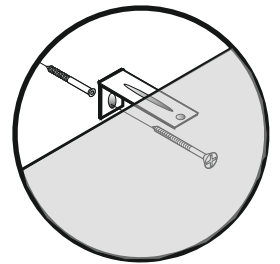
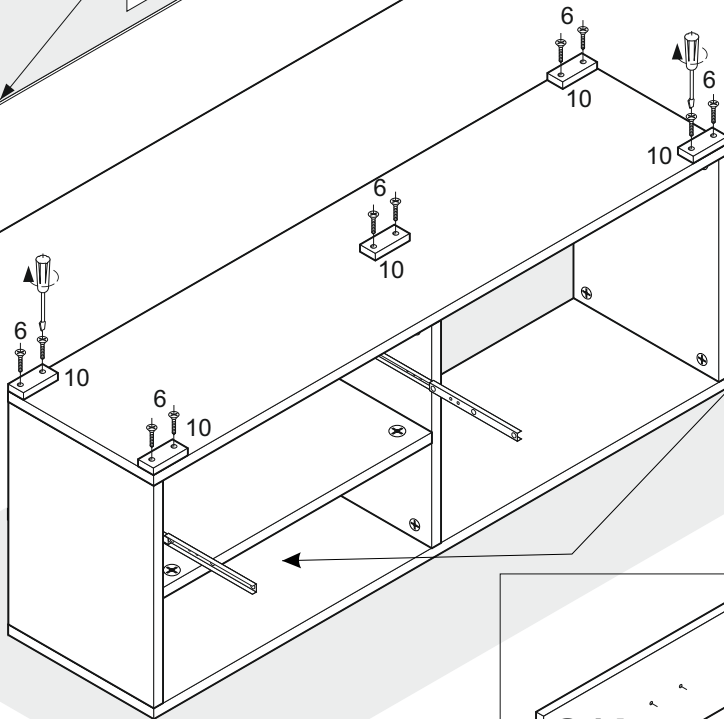
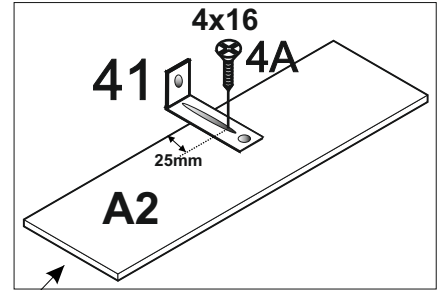
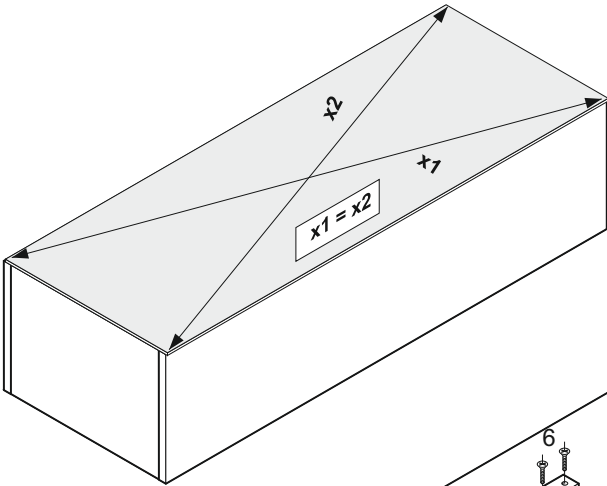
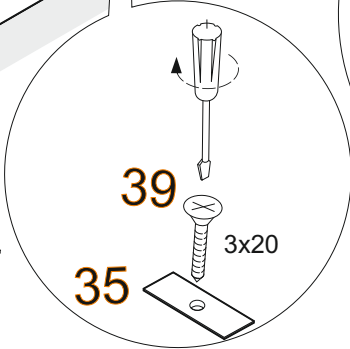
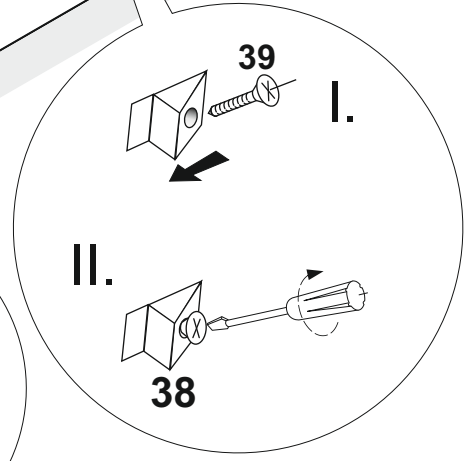
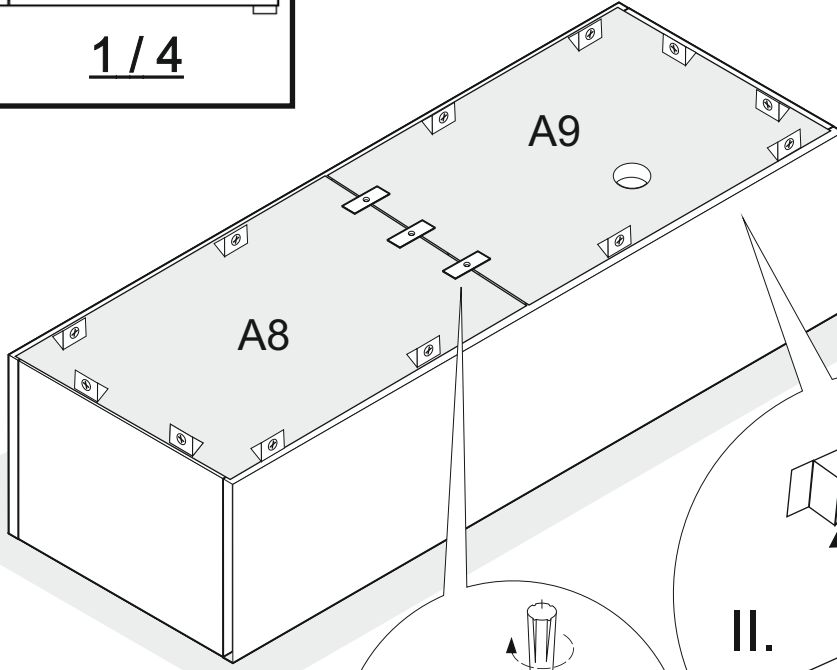
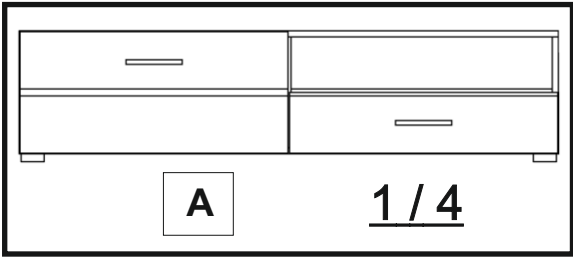


1	<u>X 56</u>	10	<u>X 10</u>	41	<u>X 2</u>	17	<u>X 3</u>
2	<u>X 48</u>	14	<u>X 4</u>	13	<u>X 20</u>	18	<u>X 3</u>
3	<u>X 3</u>	33	<u>X 1</u>	5	<u>X 8</u>	21	<u>X 12</u>
3A	<u>X 4</u>	9	<u>X 44</u>	22	<u>X 30</u>	23	<u>X 4</u>
35	<u>X 6</u>	9A	<u>X 44</u>	22A 22A	<u>X 24</u> <u>X 6</u>		
4	<u>X 14</u>	26	<u>X 1</u>	24	<u>X 4</u>	15	<u>X 2</u>
6	<u>X 60</u>	30	LED <u>X 1</u>	72	<u>X 3</u>		
4A	<u>X 5</u>	39	<u>X 84</u>	36	<u>X 3</u>	38	<u>X 42</u>
80	<u>X 11</u>	7	<u>X 2</u>			25	<u>X 4</u>

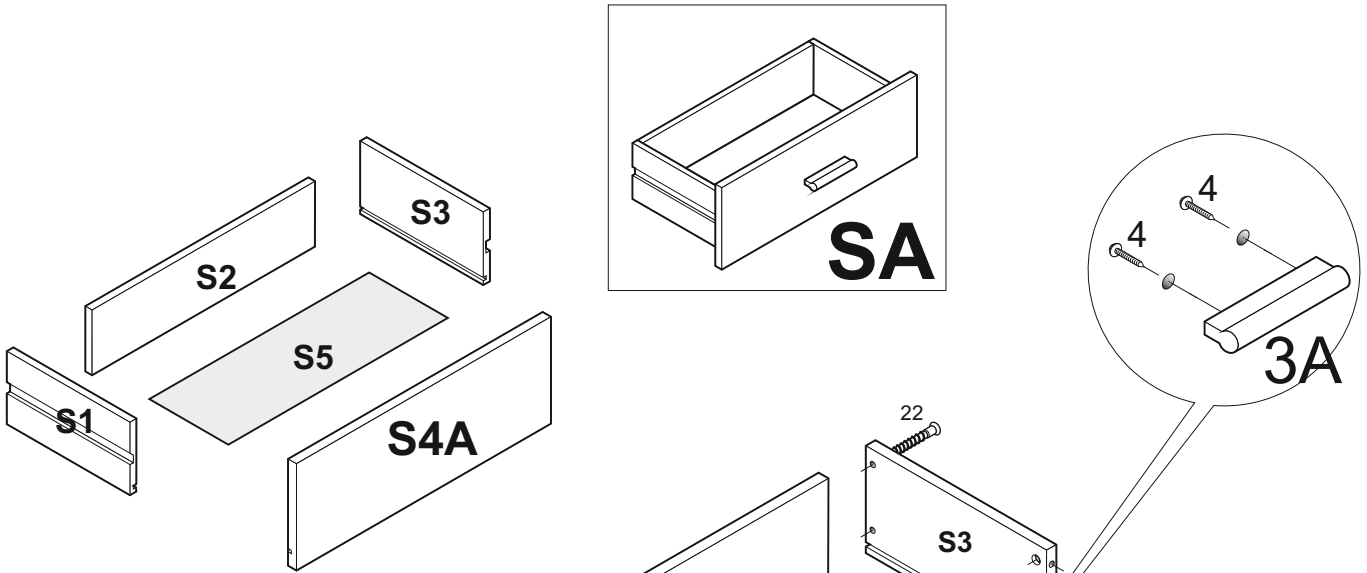
- A1** 1401mm x 413mm
- A2** 1401mm x 413mm
- A3** 288mm x 413mm
- A4** 288mm x 399mm
- A5** 288mm x 413mm
- A6** 675mm x 399mm
- A7** 696mm x 316mm
- A8** 688mm x 298mm
- A9** 688mm x 298mm



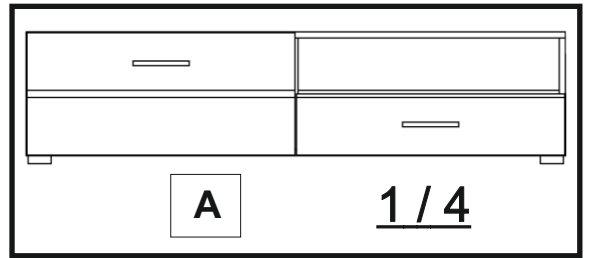
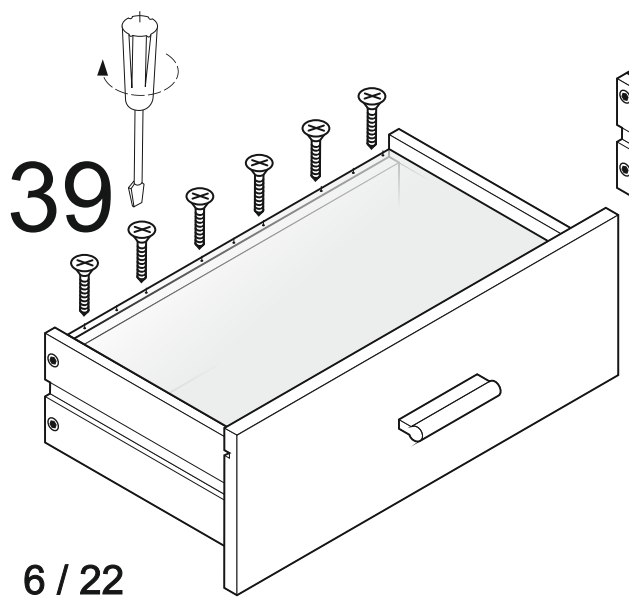
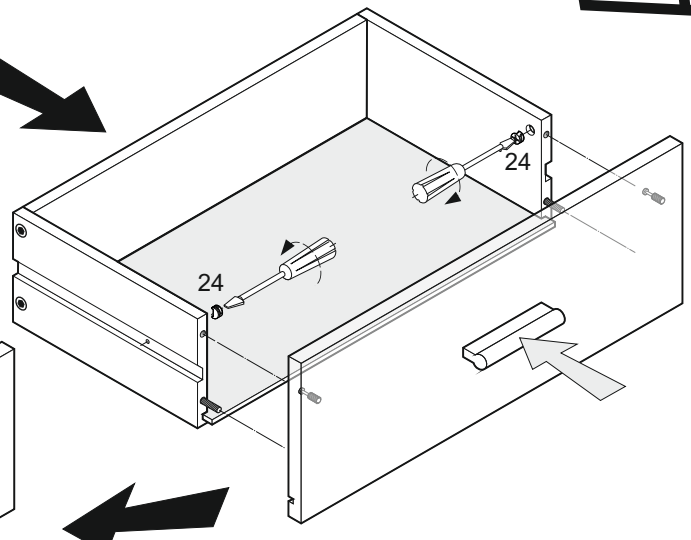
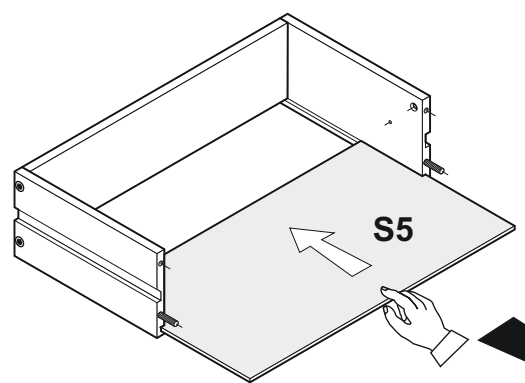
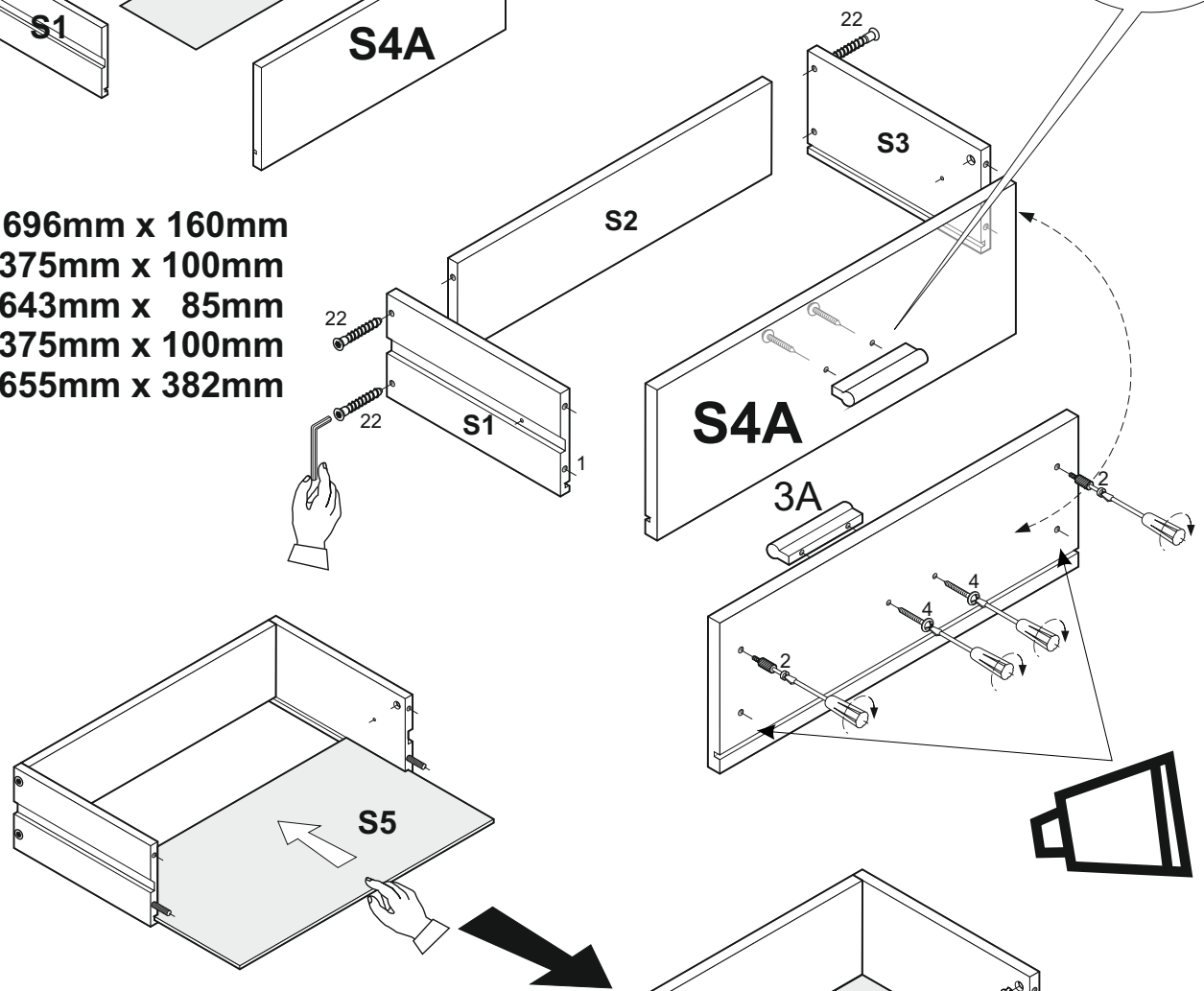


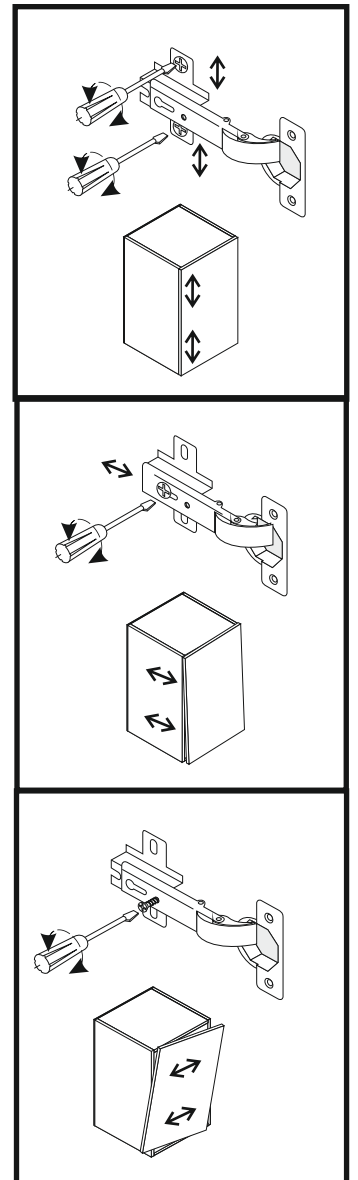
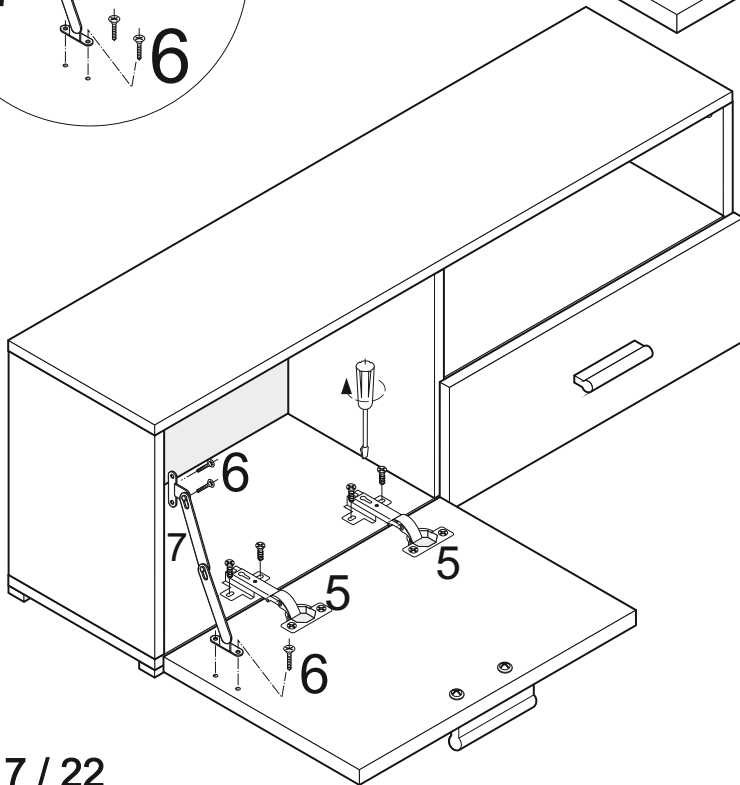
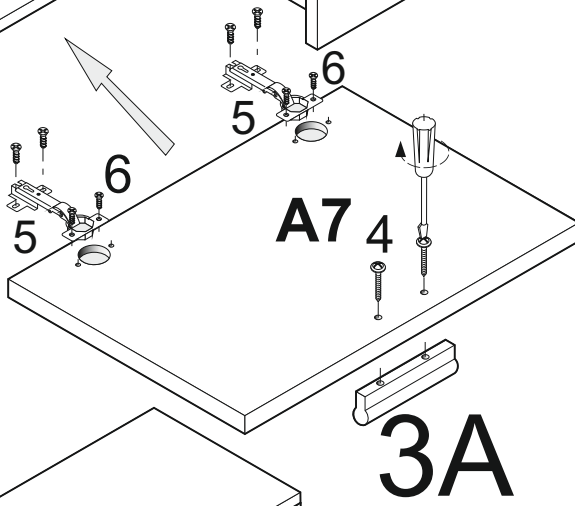
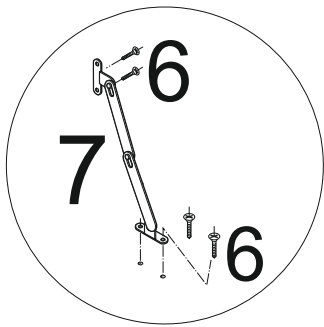
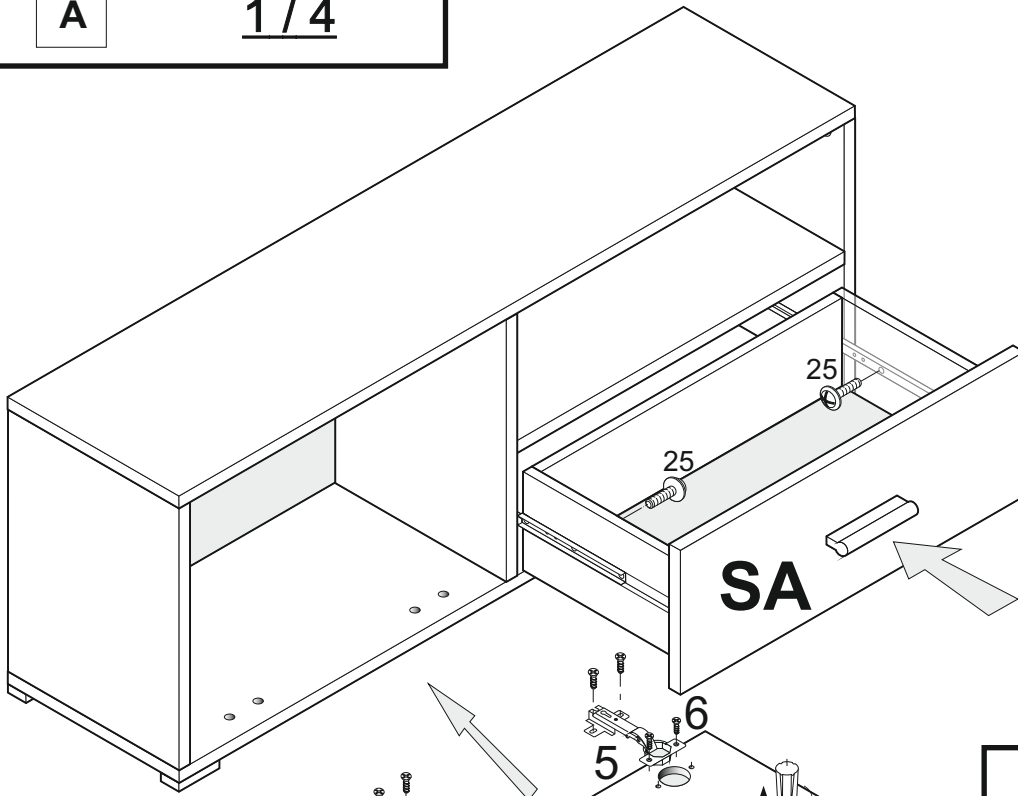
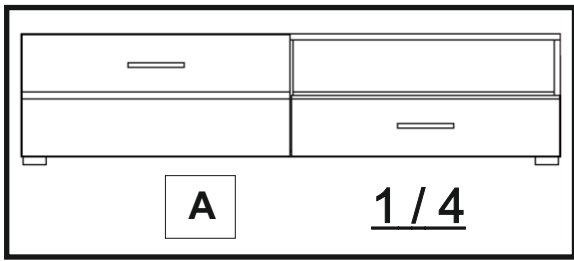


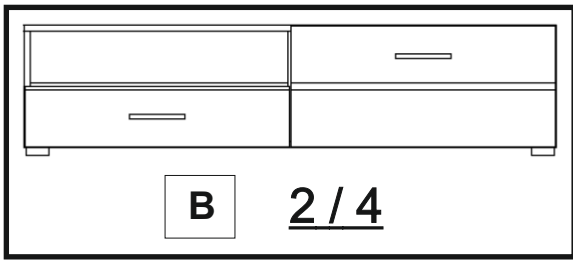
41		X 1
4A		X 1



- S4A** 696mm x 160mm
- S1** 375mm x 100mm
- S2** 643mm x 85mm
- S3** 375mm x 100mm
- S5** 655mm x 382mm

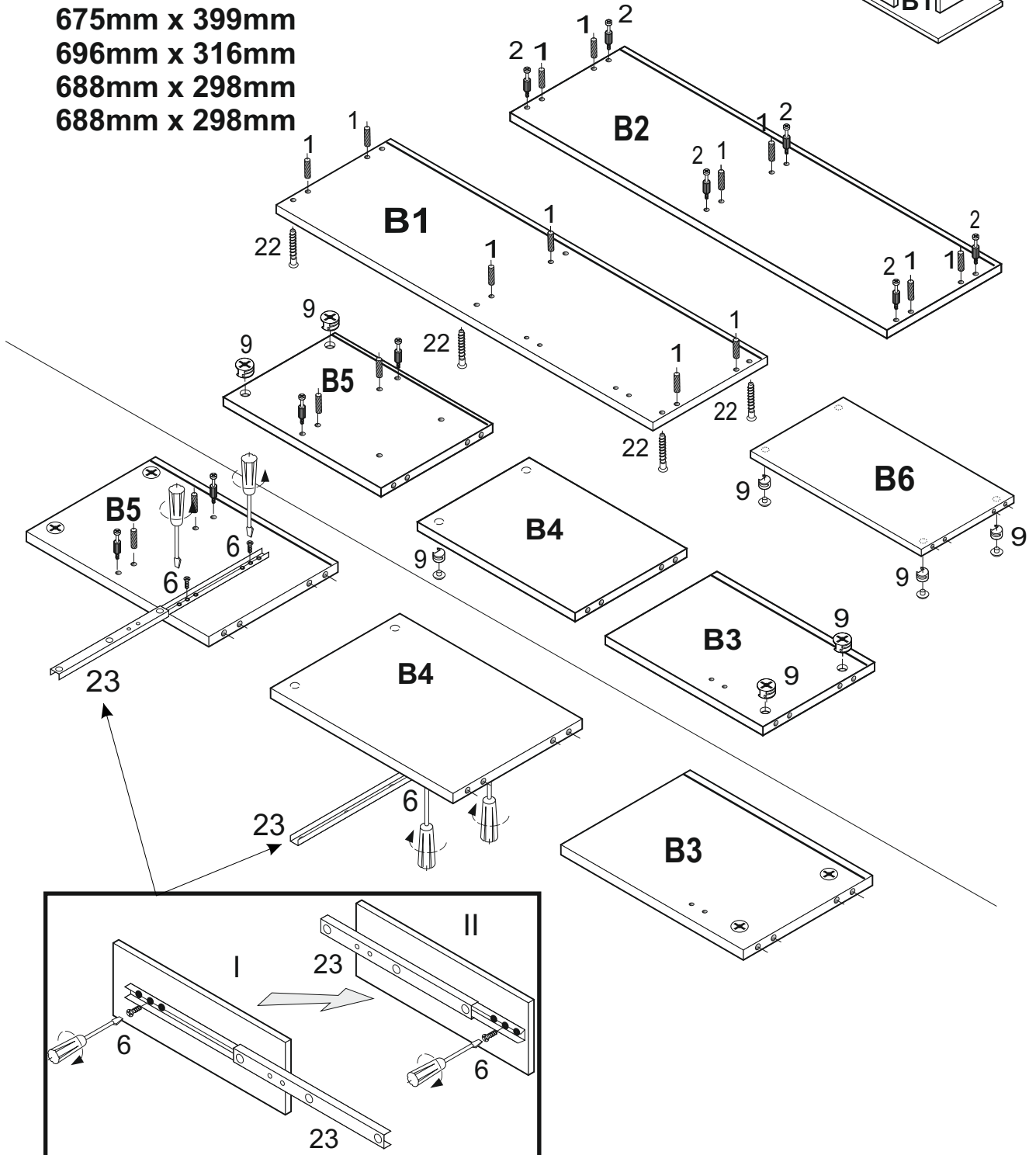
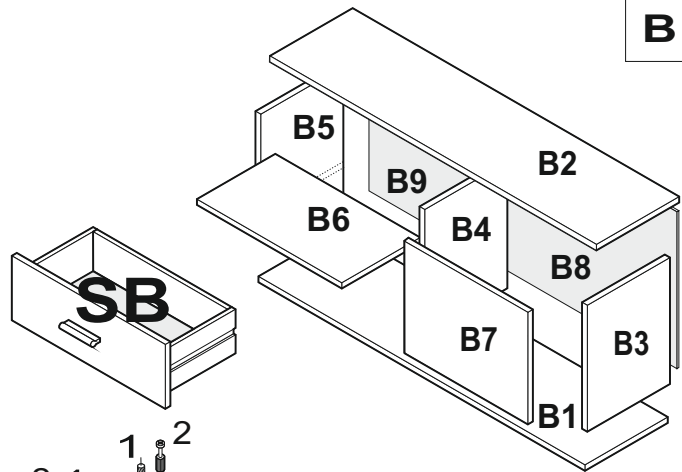


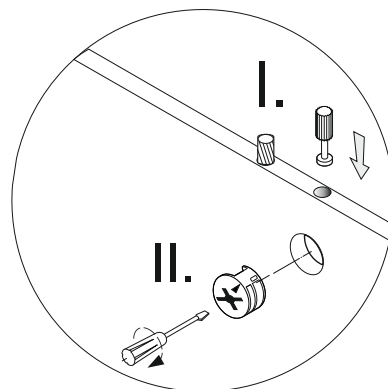
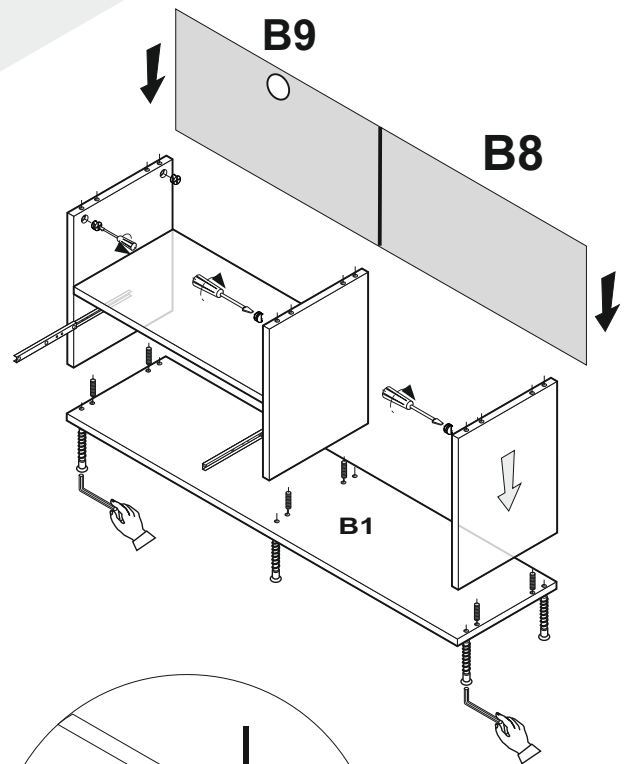
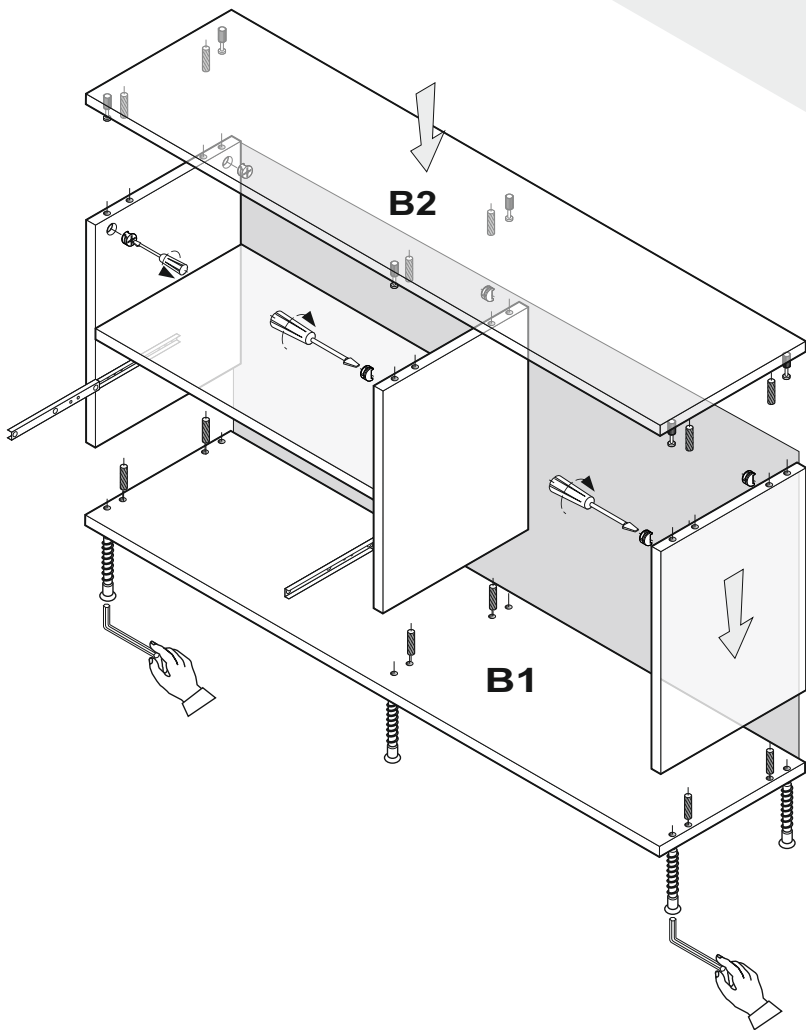
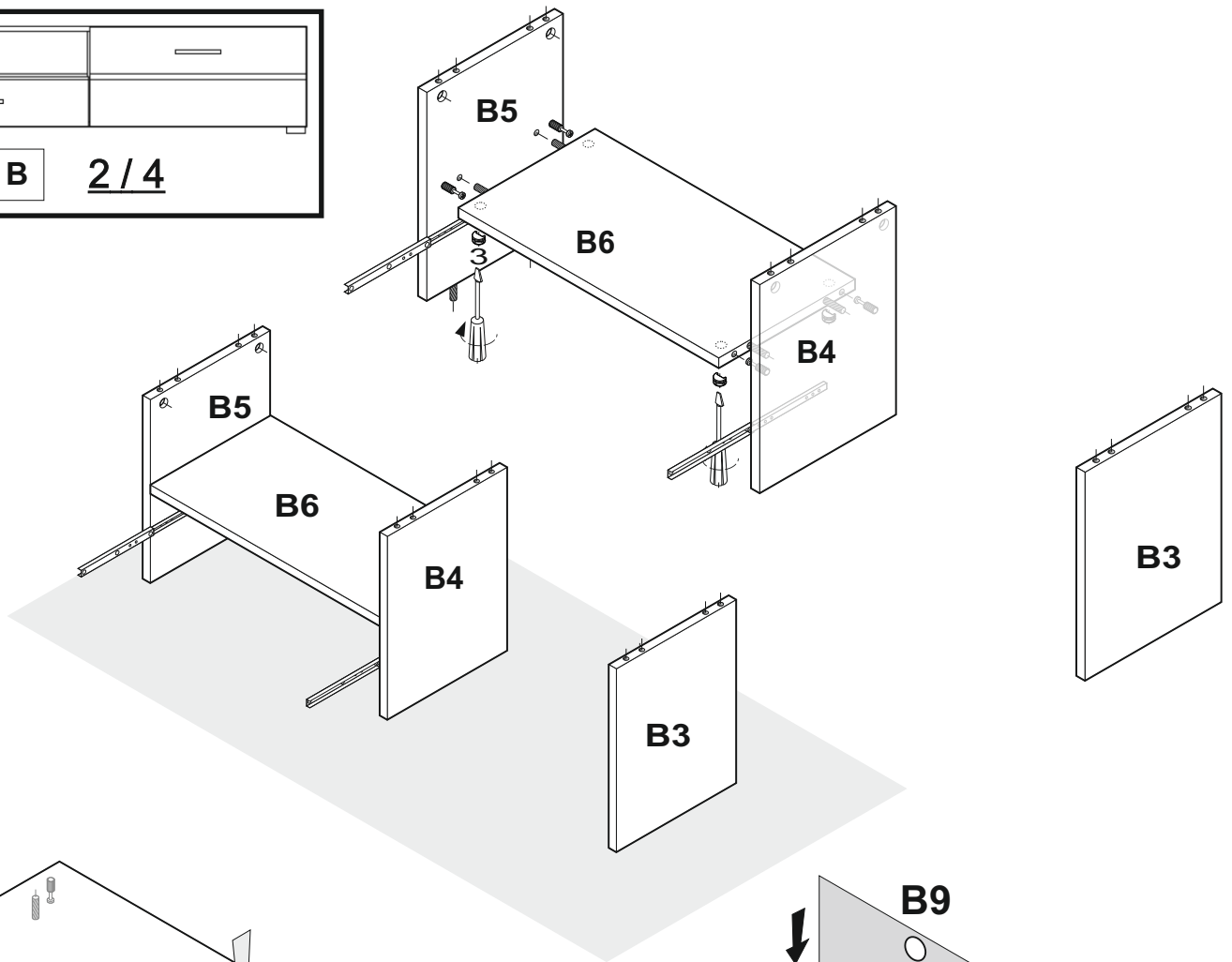
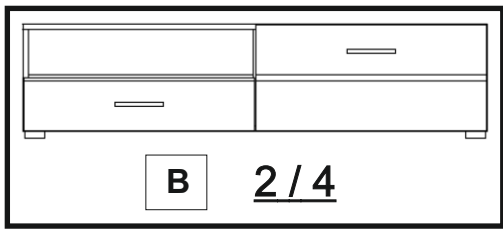


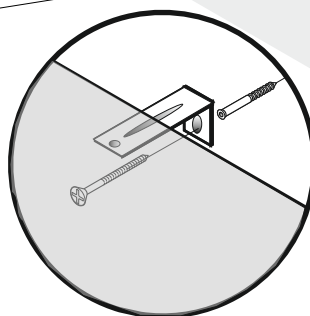
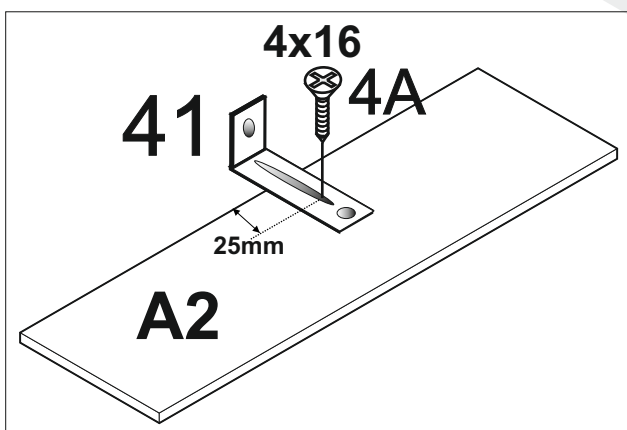
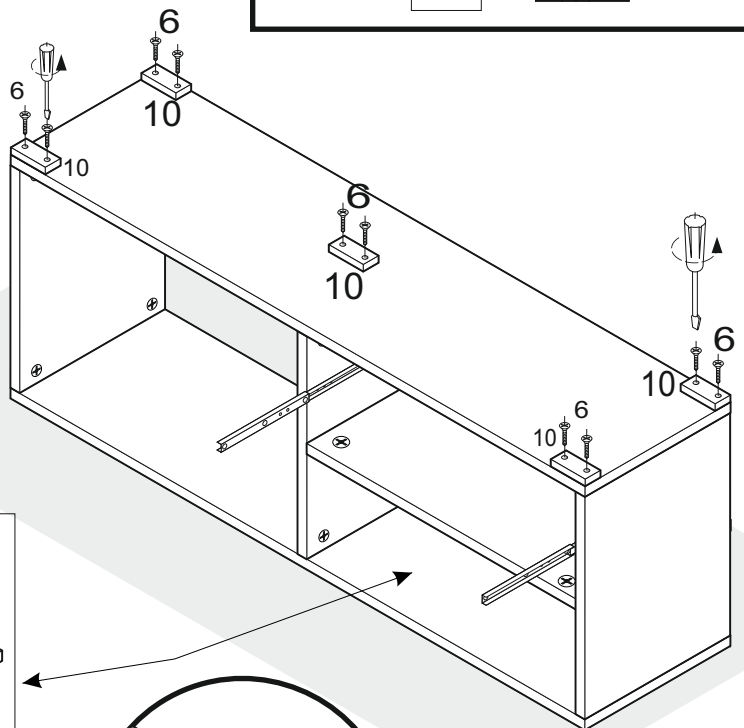
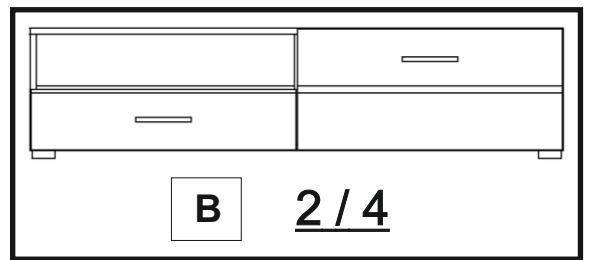
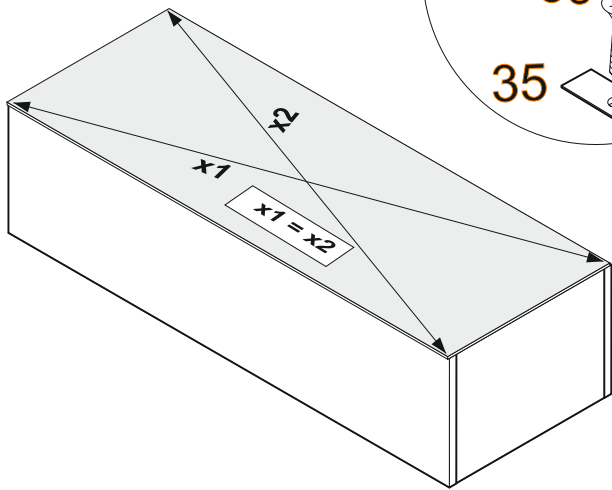
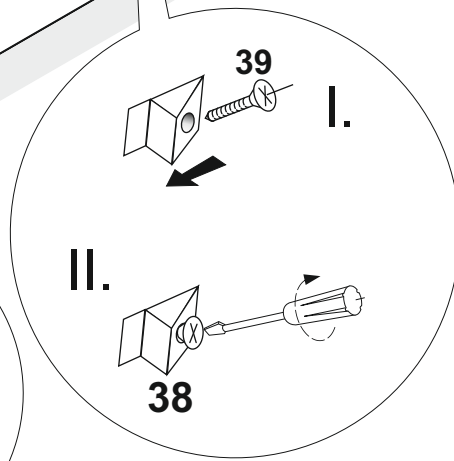
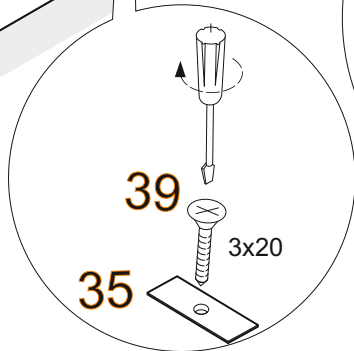
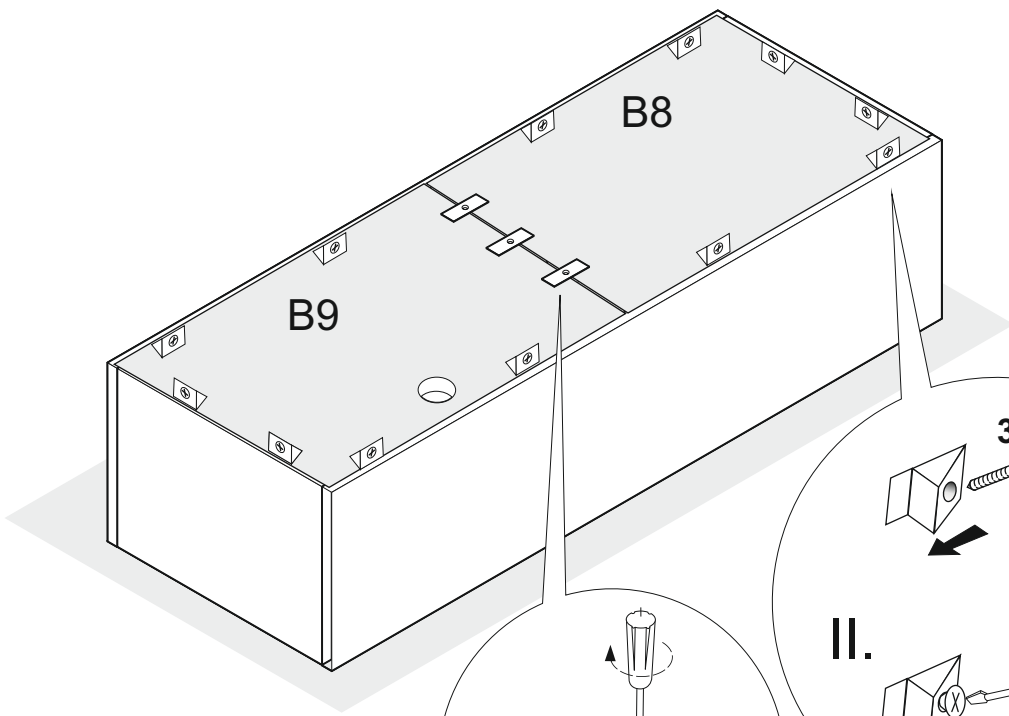


B

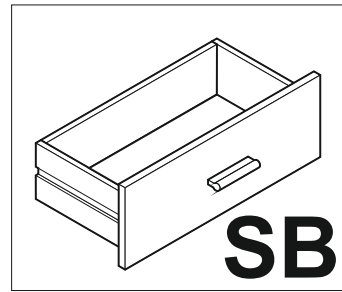
- B1** 1401mm x 413mm
- B2** 1401mm x 413mm
- B3** 288mm x 413mm
- B4** 288mm x 399mm
- B5** 288mm x 413mm
- B6** 675mm x 399mm
- B7** 696mm x 316mm
- B8** 688mm x 298mm
- B9** 688mm x 298mm



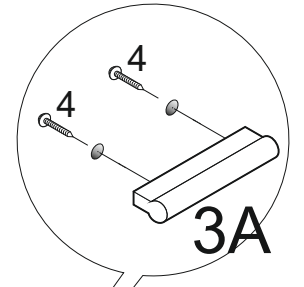




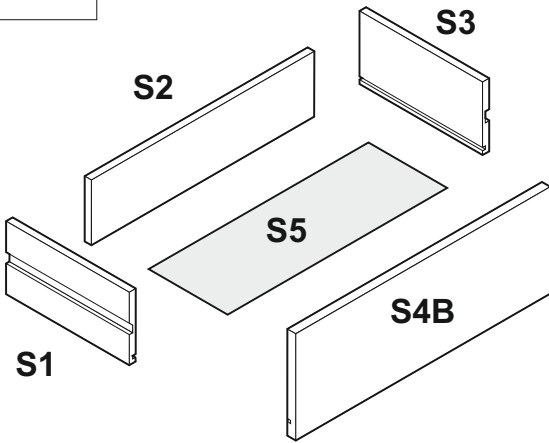
B



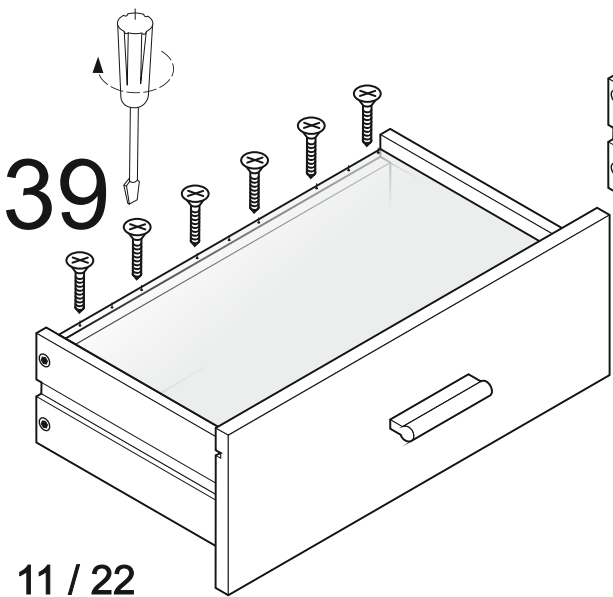
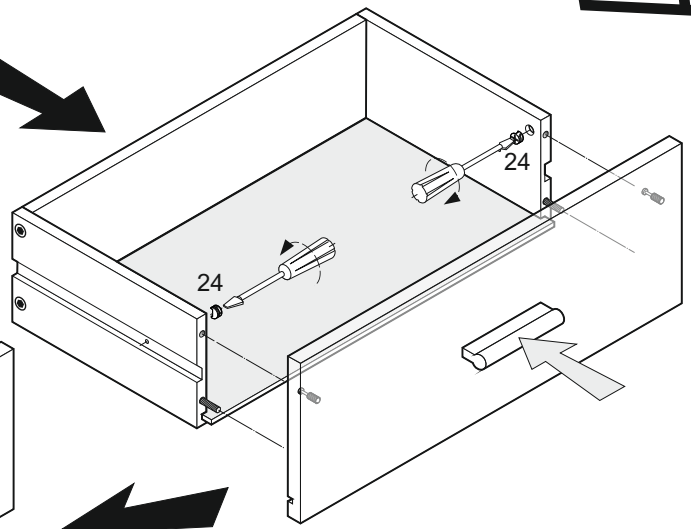
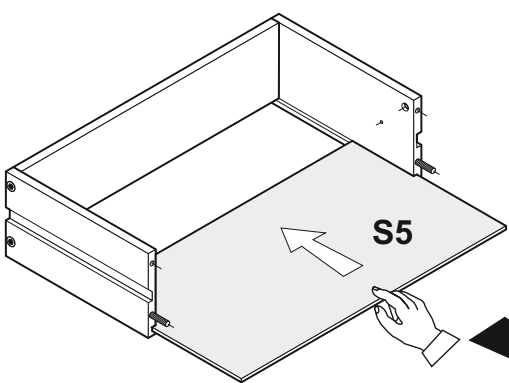
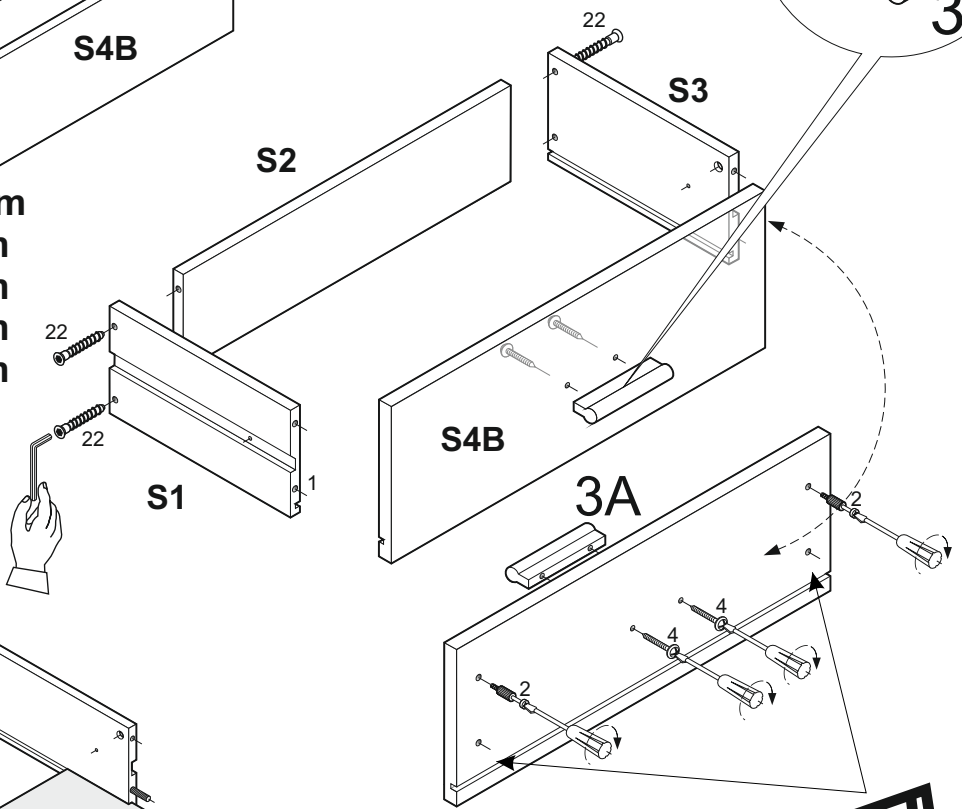
SB



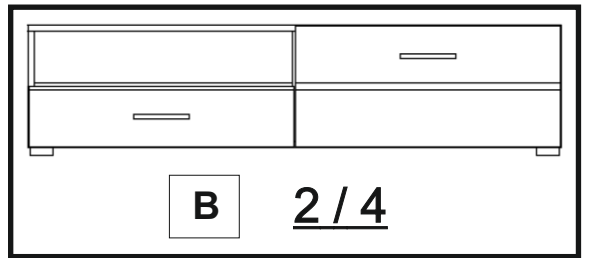
3A



- S4B** 696mm x 160mm
- S1** 375mm x 100mm
- S2** 643mm x 85mm
- S3** 375mm x 100mm
- S5** 655mm x 382mm

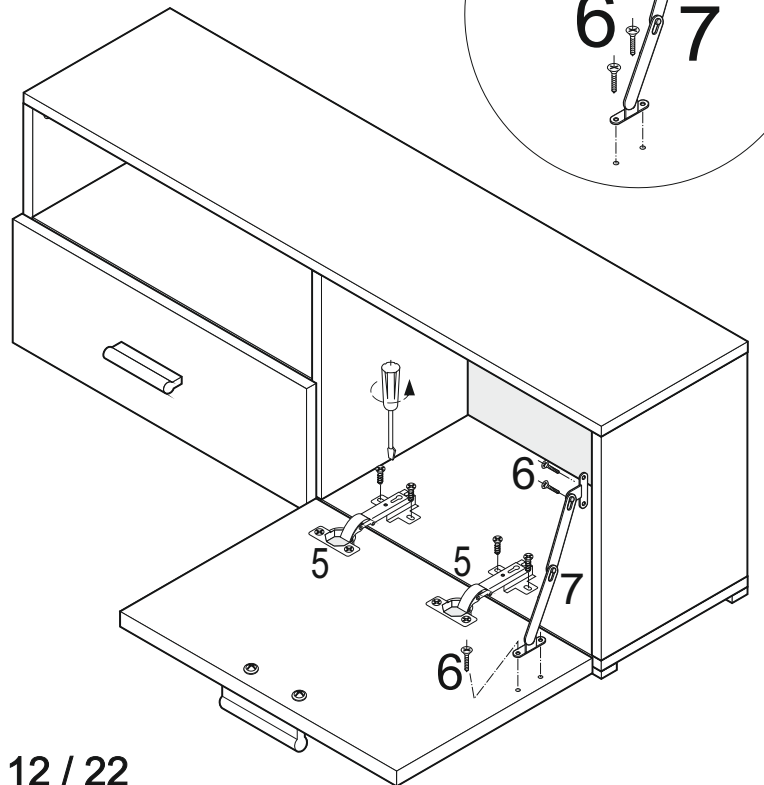
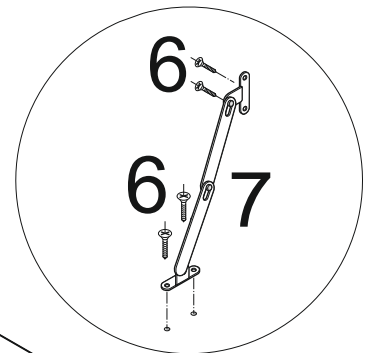
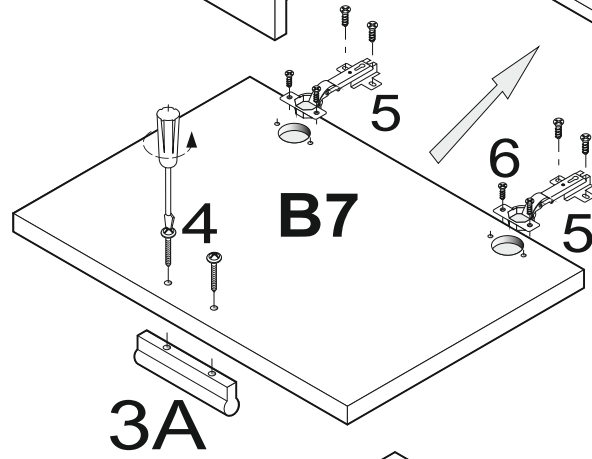
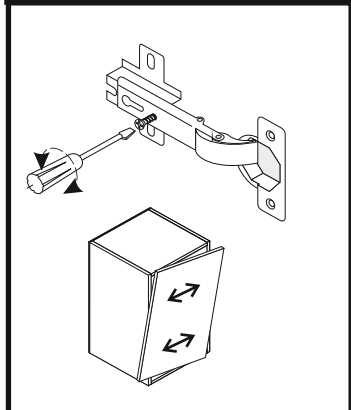
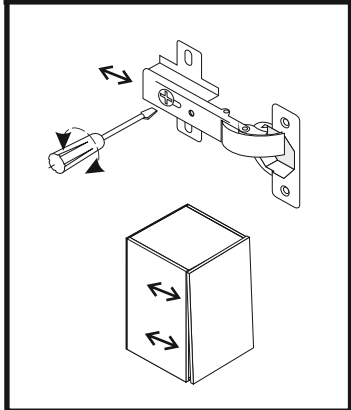
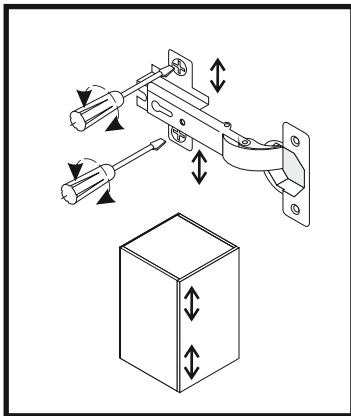
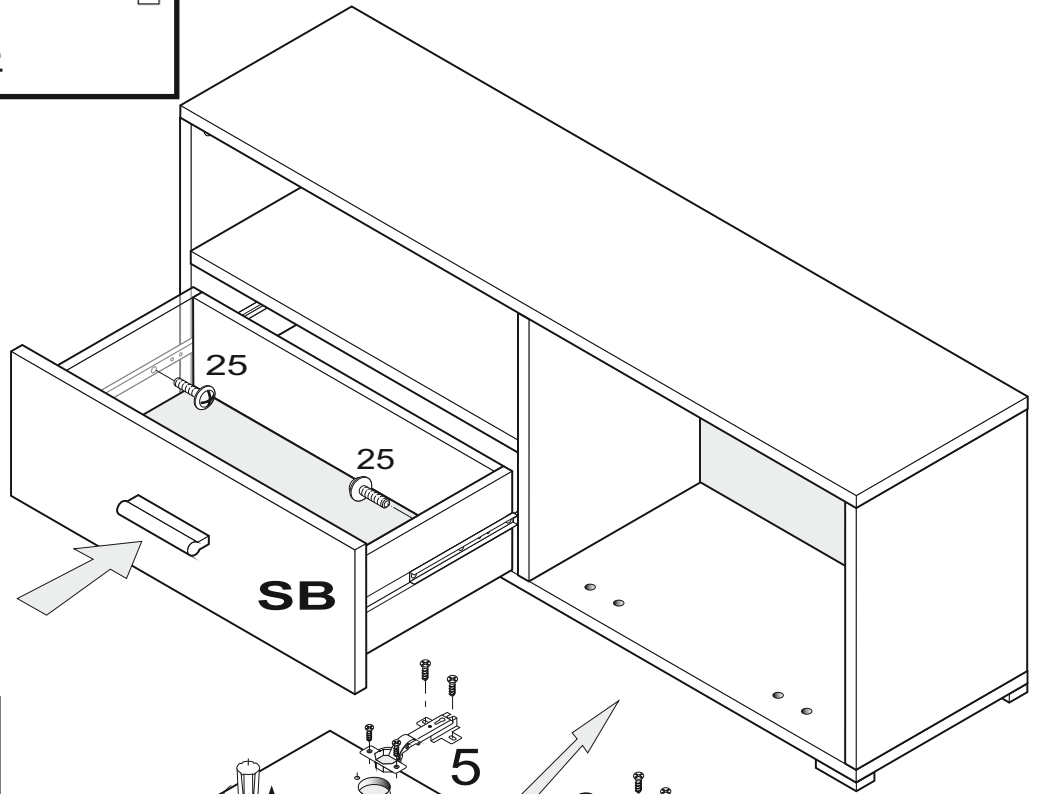
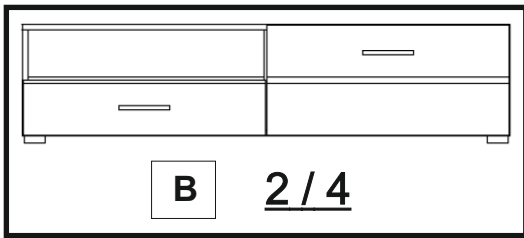


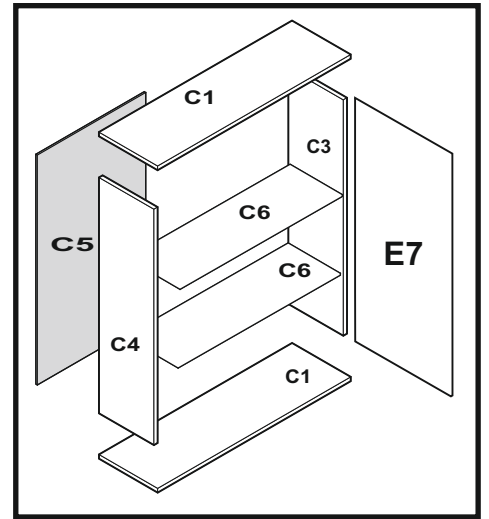
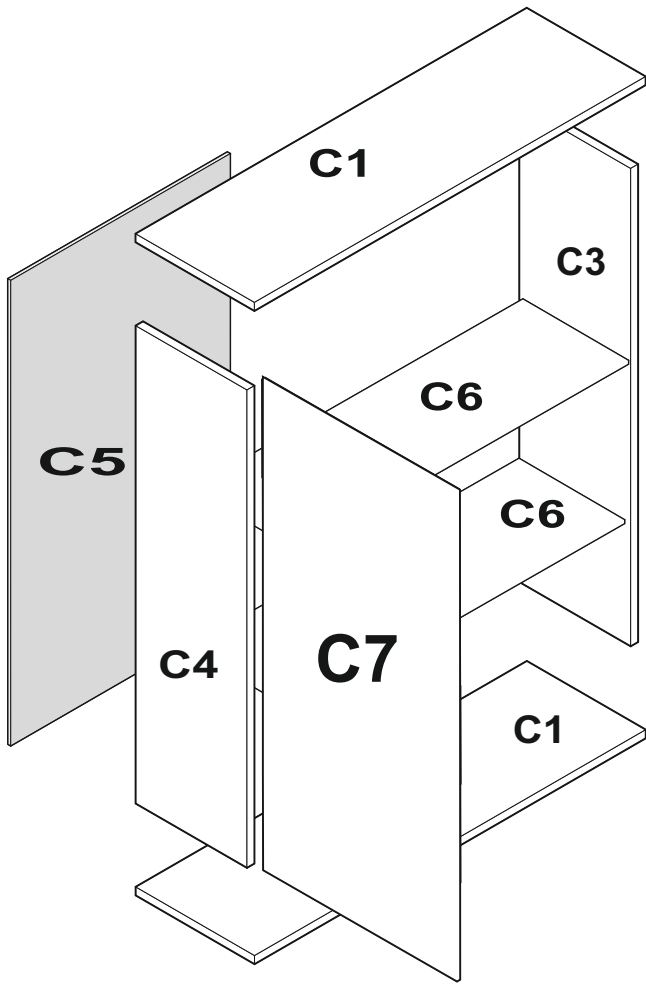
11 / 22



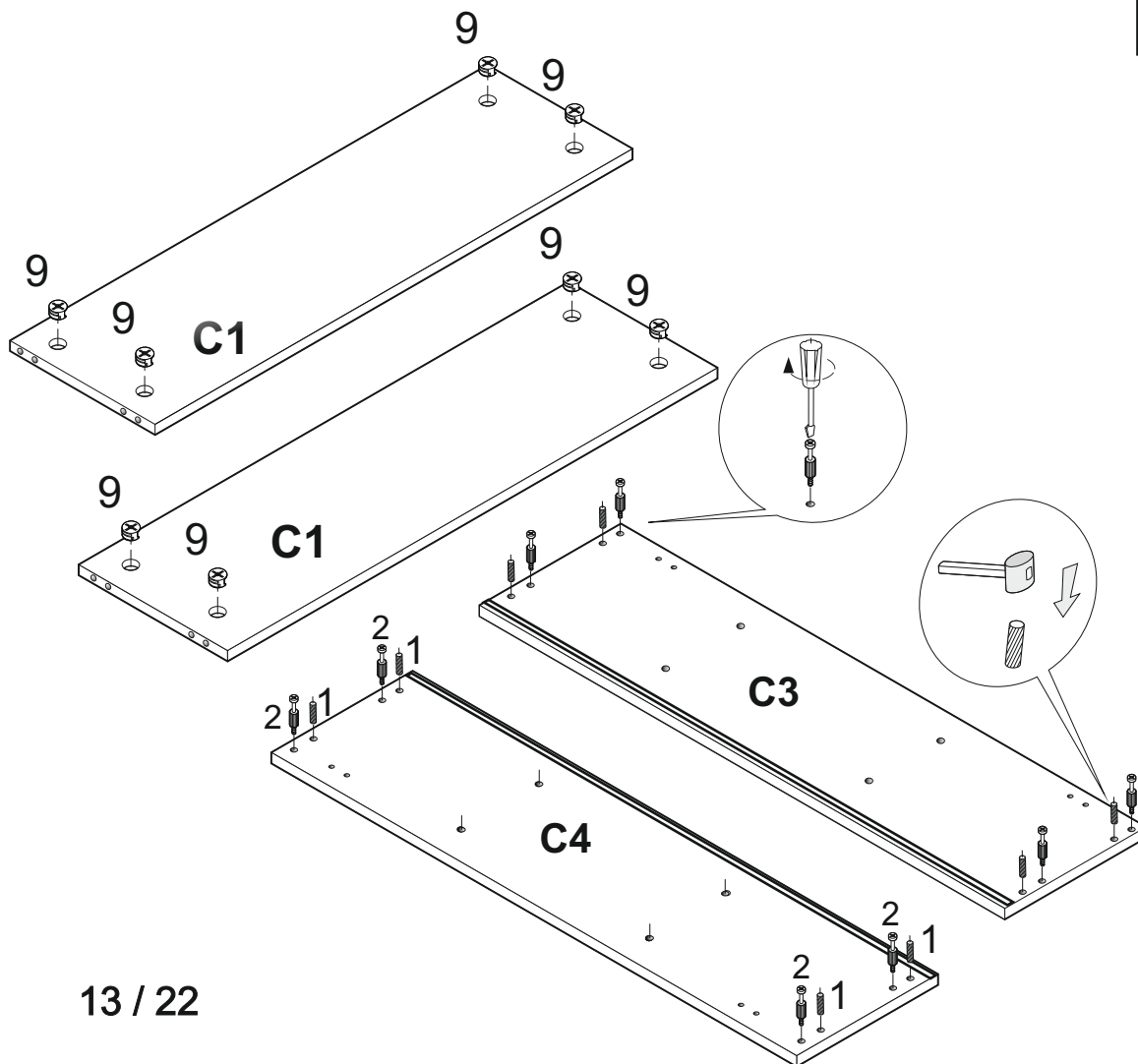
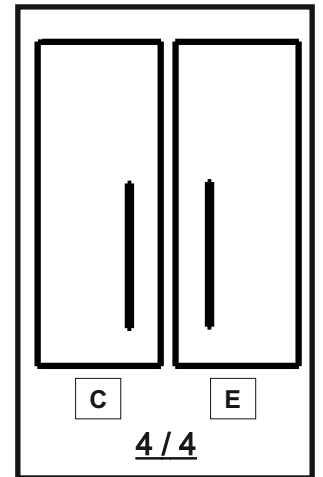
B

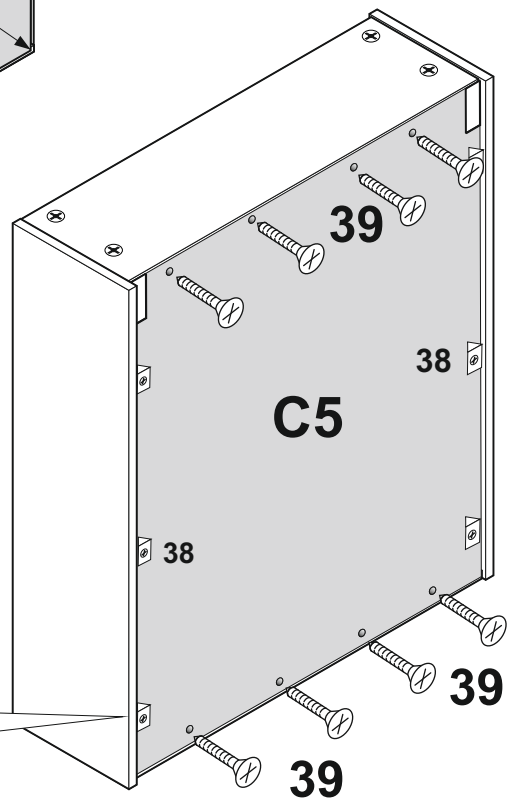
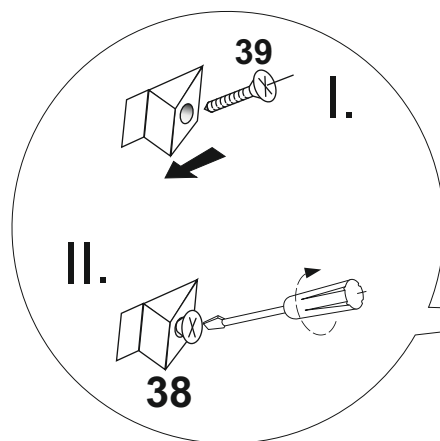
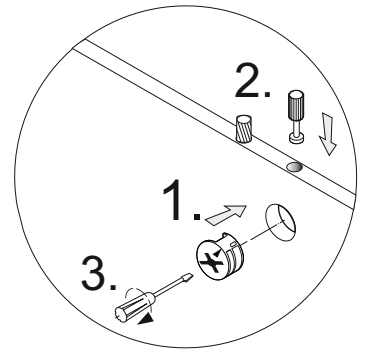
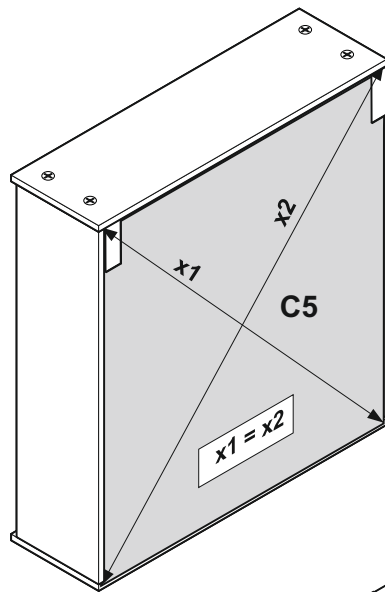
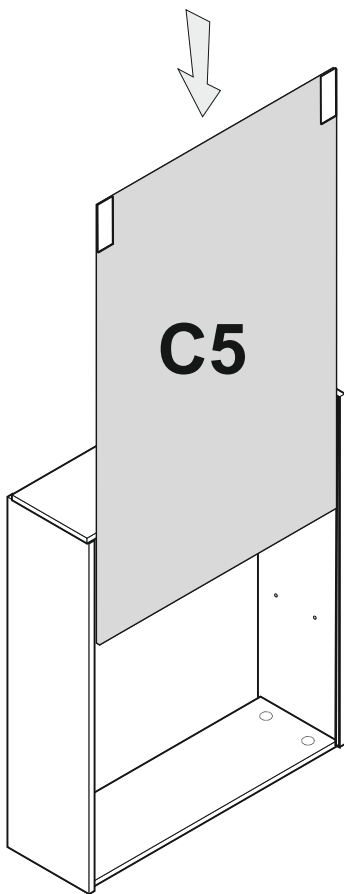
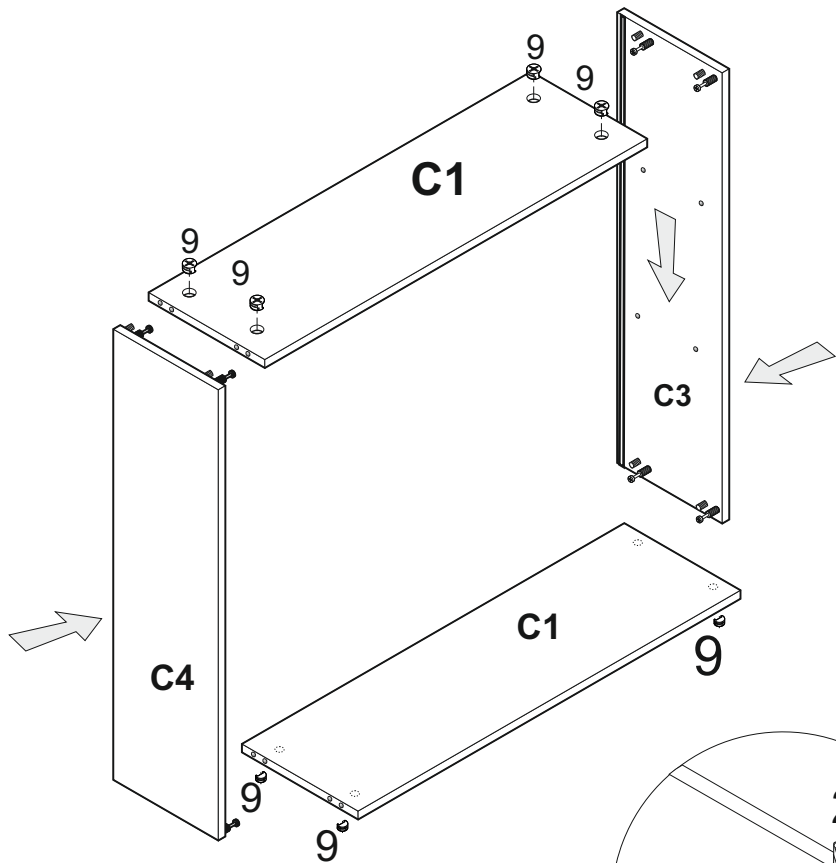
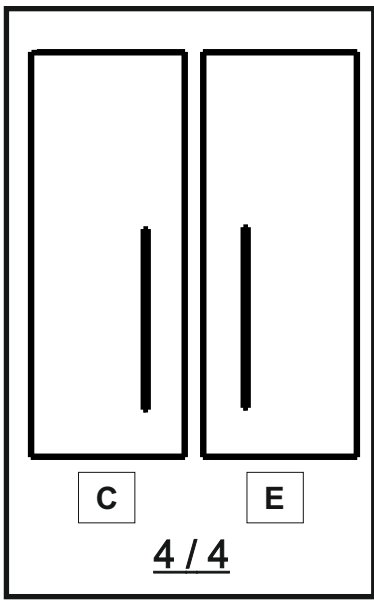
2 / 4

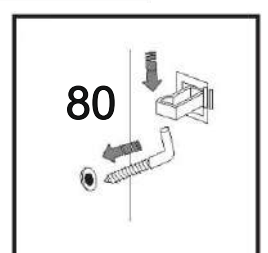
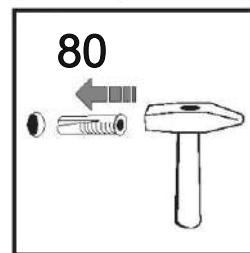
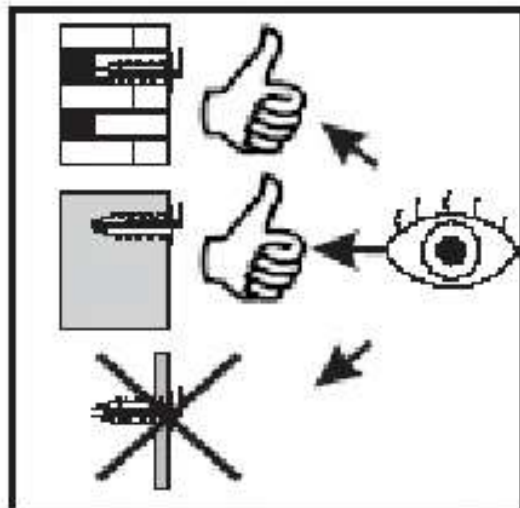
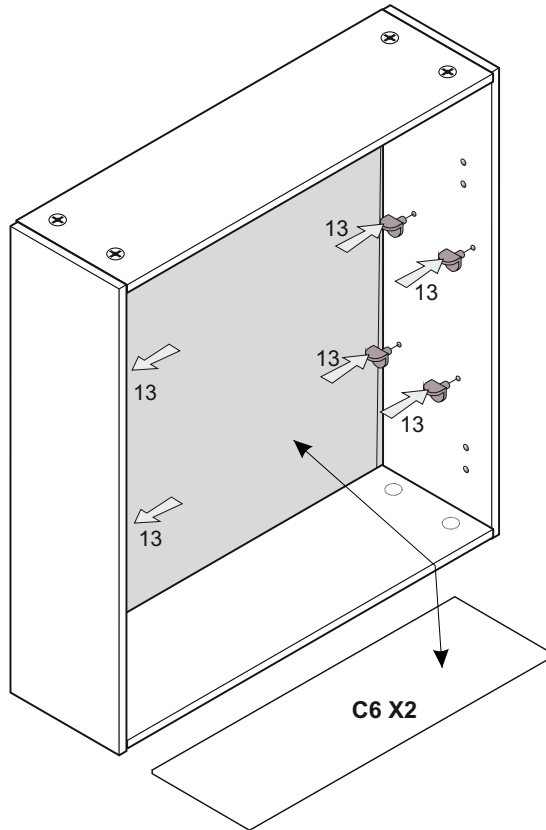
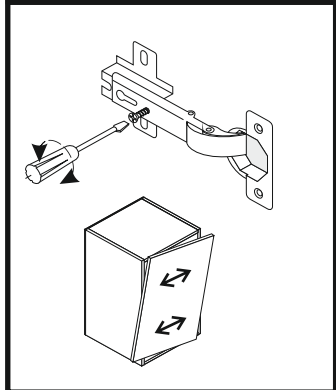
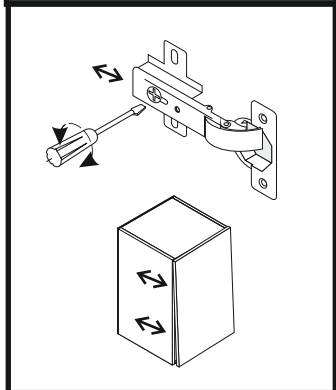
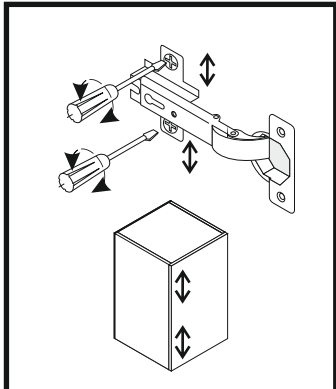
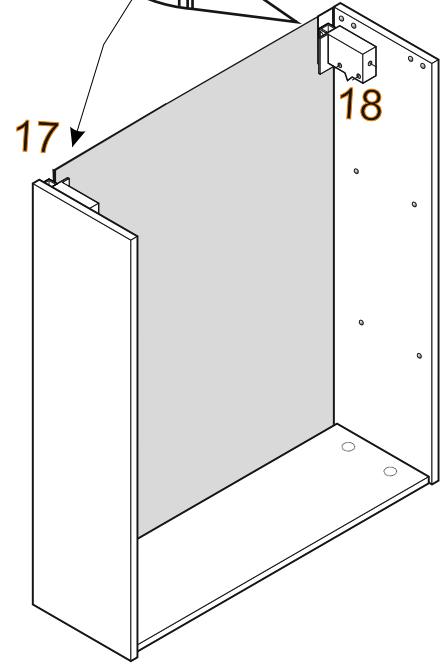
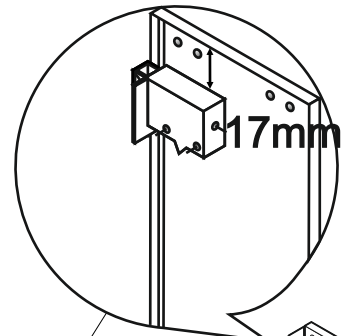
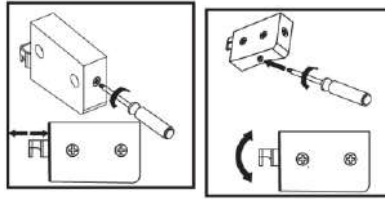
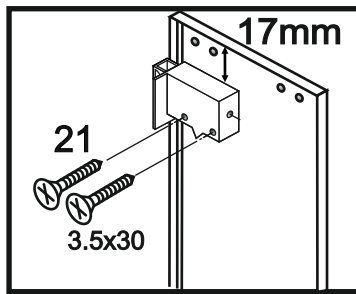
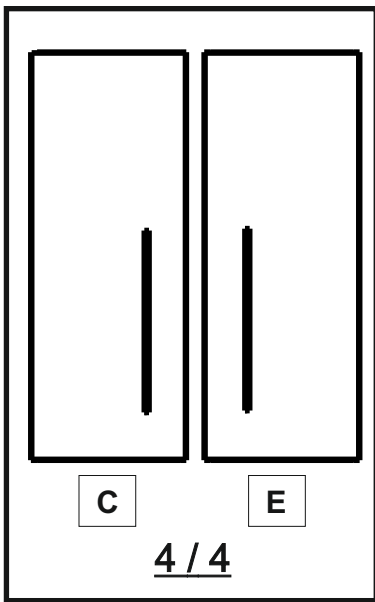


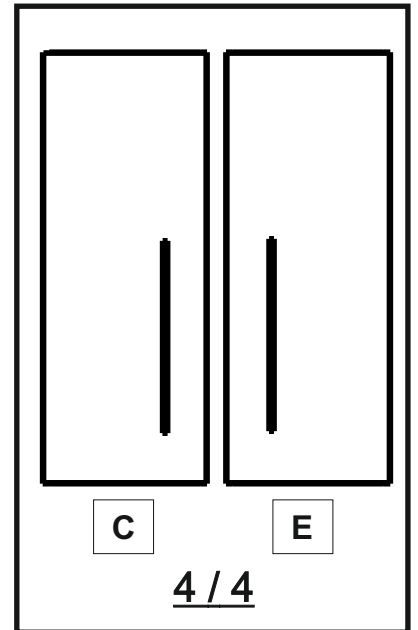
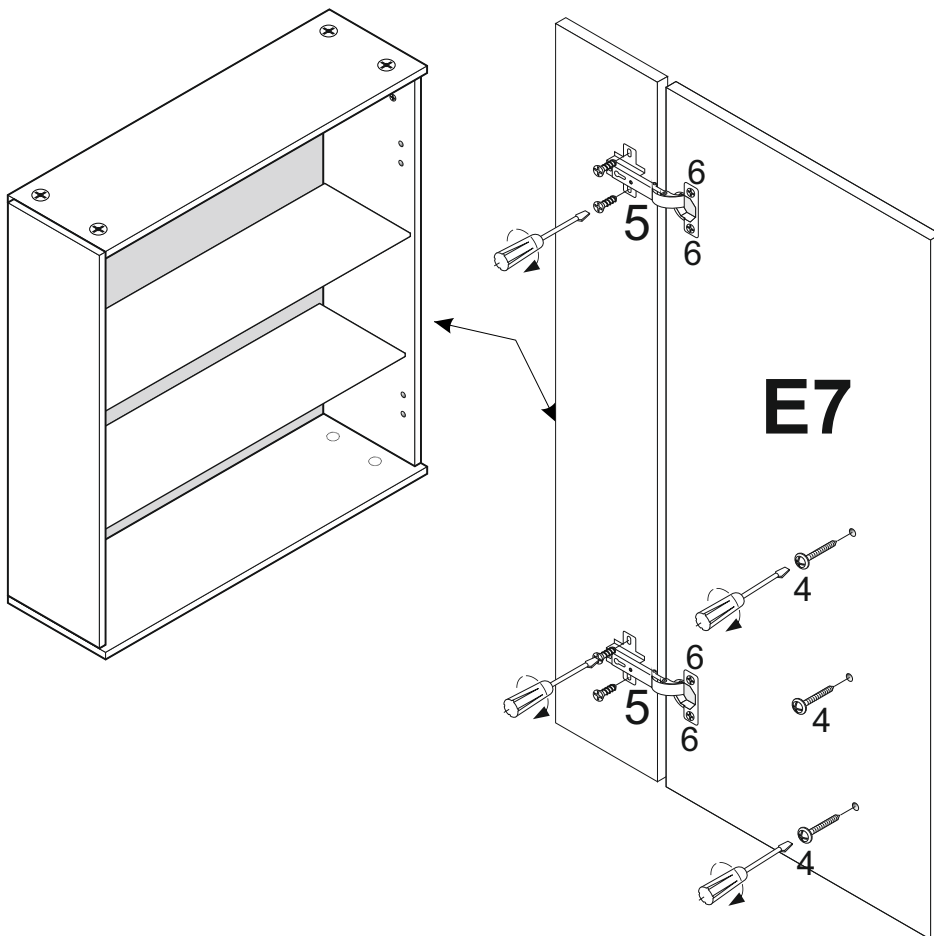
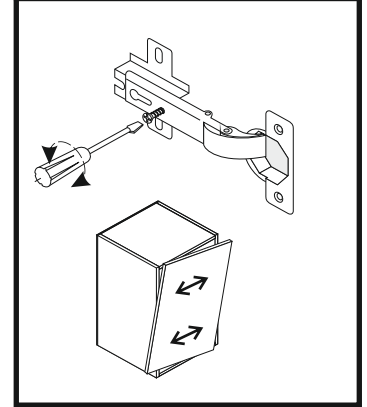
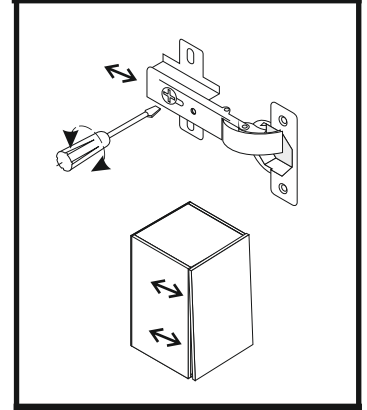
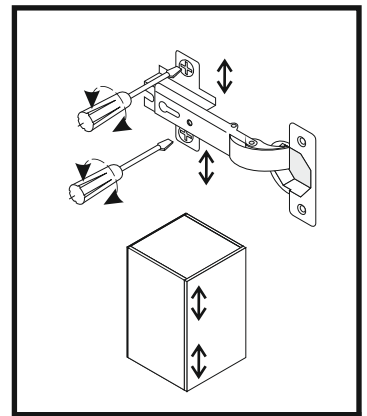
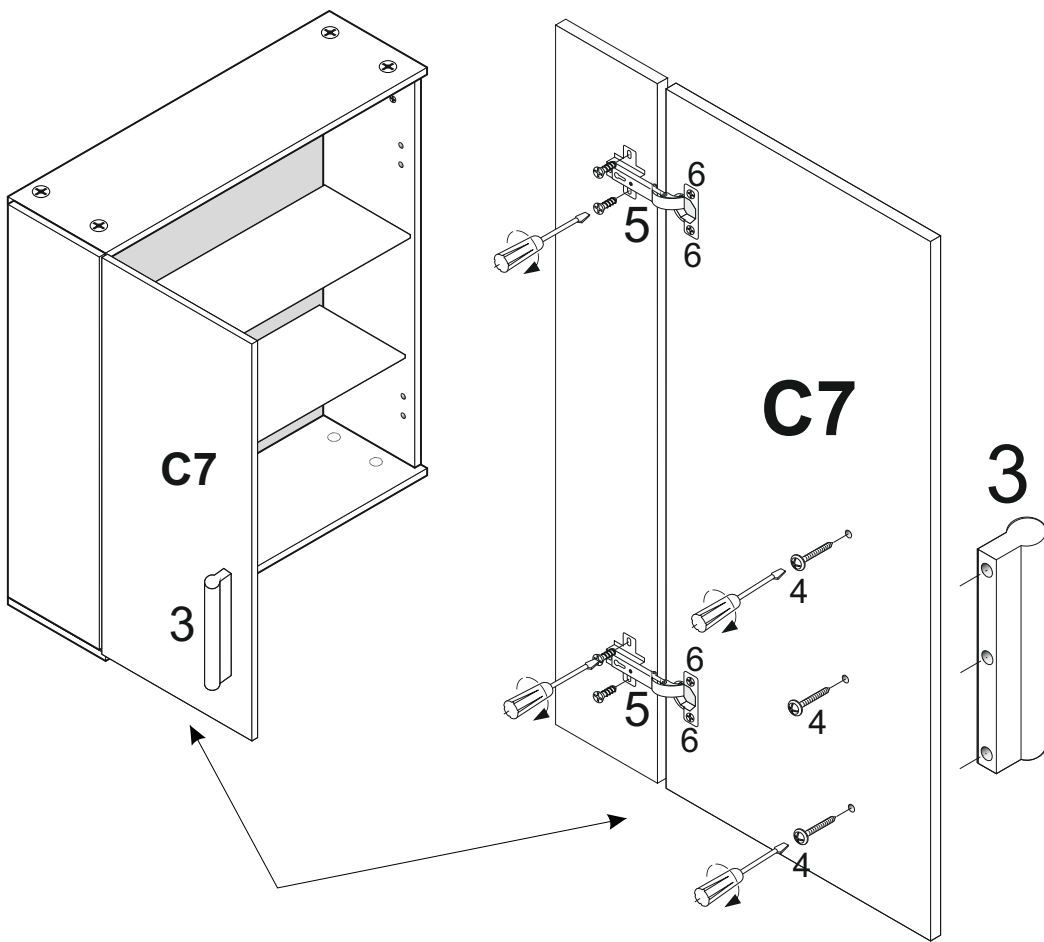


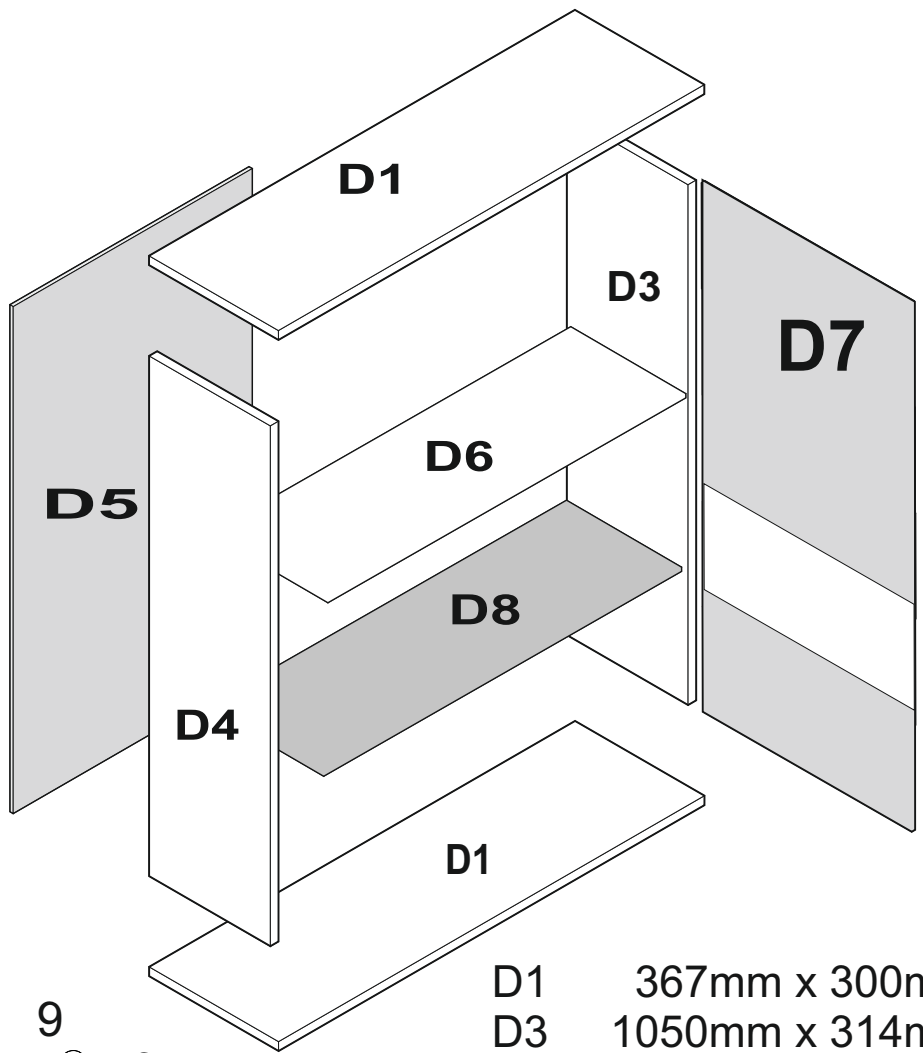
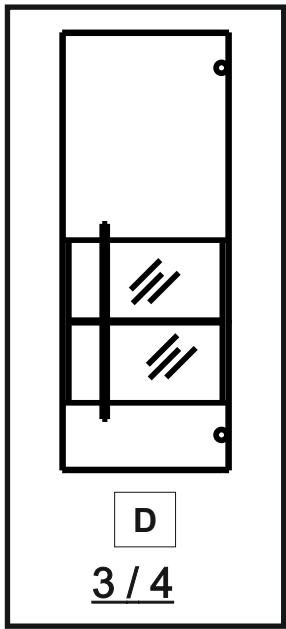
- C1 367mm x 300mm
- C3 1050mm x 314mm
- C4 1050mm x 314mm
- C5 1044mm x 378mm
- C6 367mm x 290mm
- C7 1046mm x 396mm
- E7 1046mm x 396mm



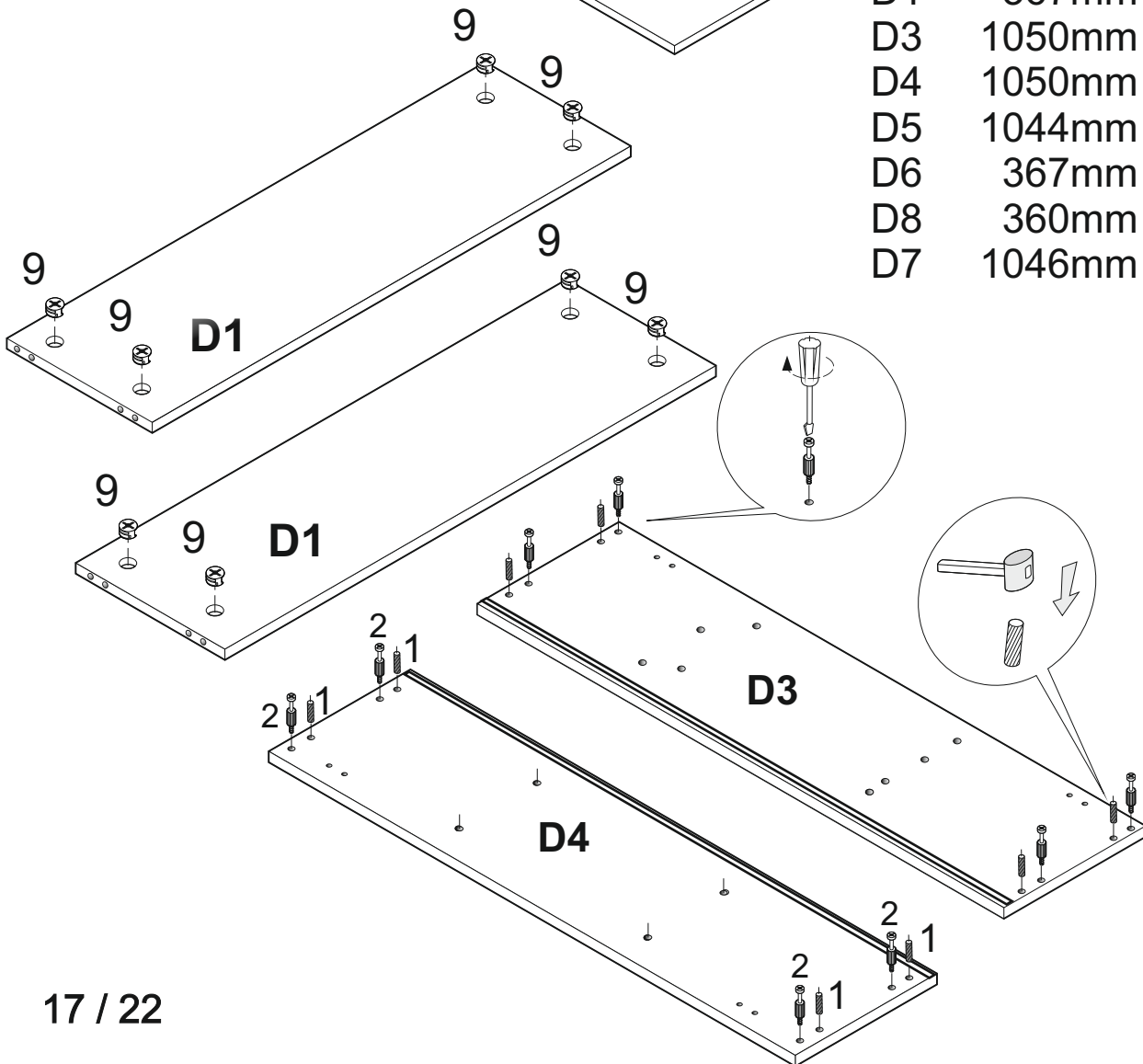


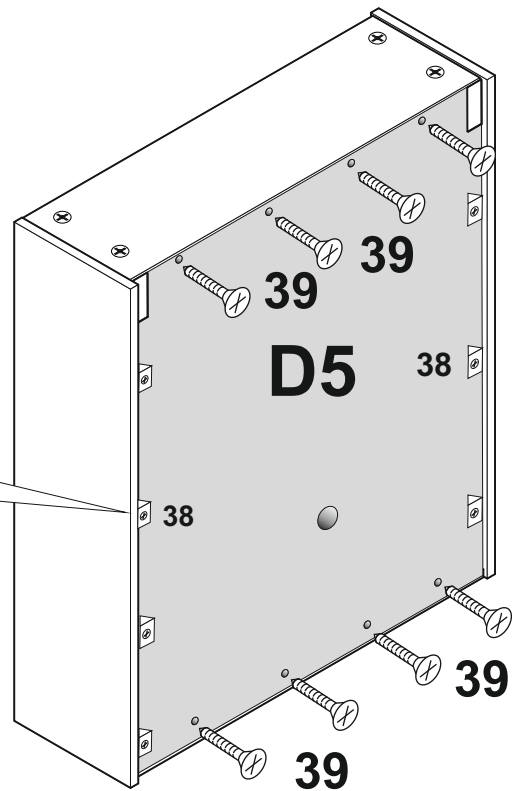
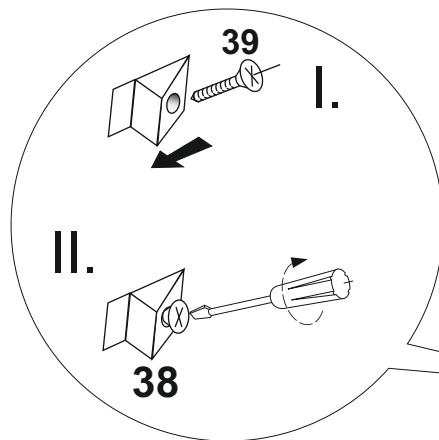
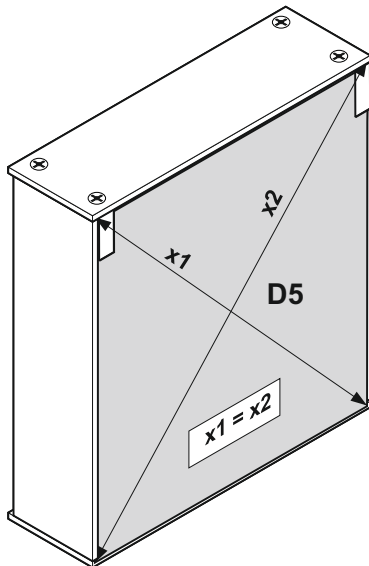
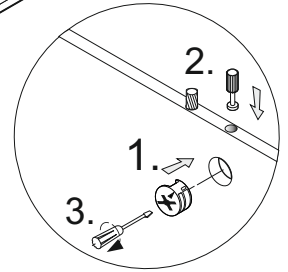
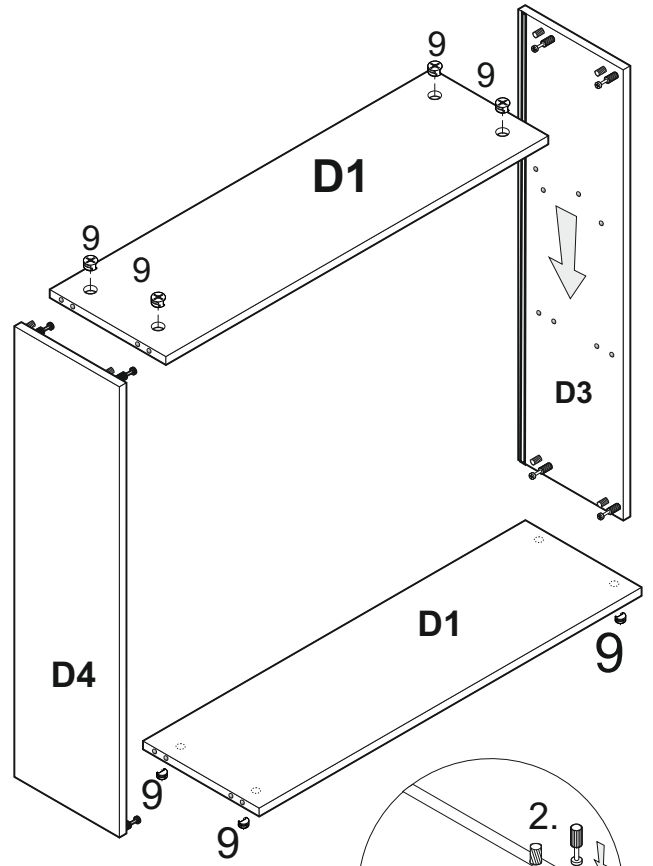
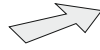
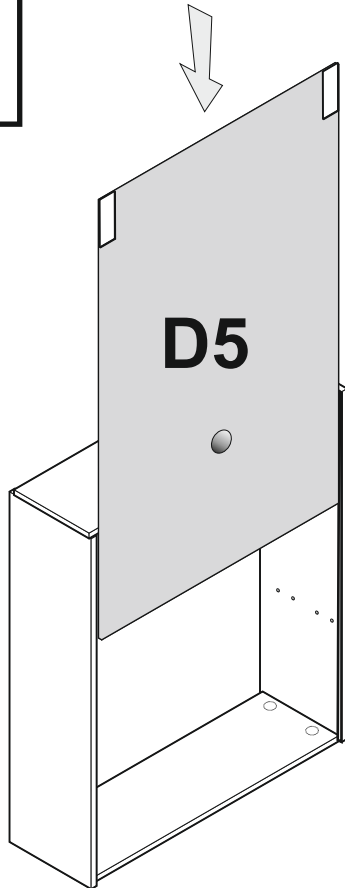
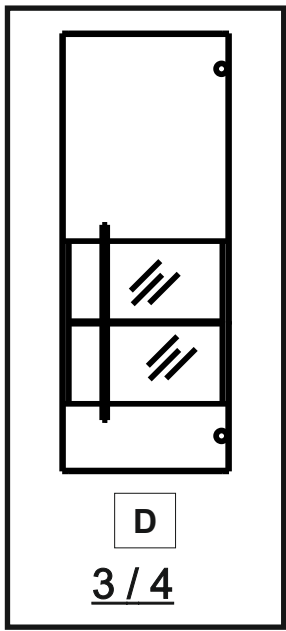


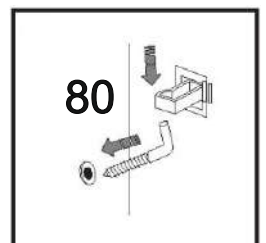
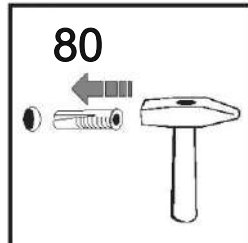
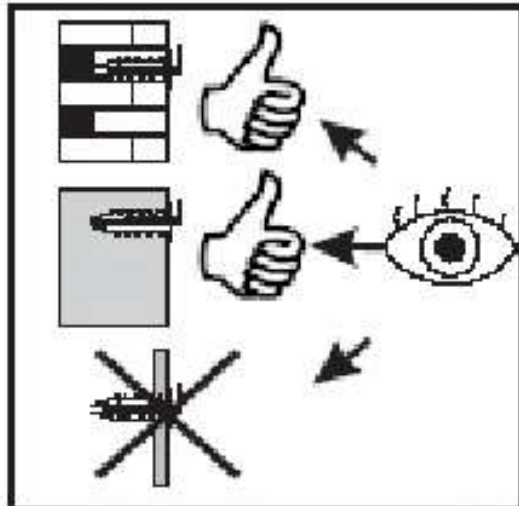
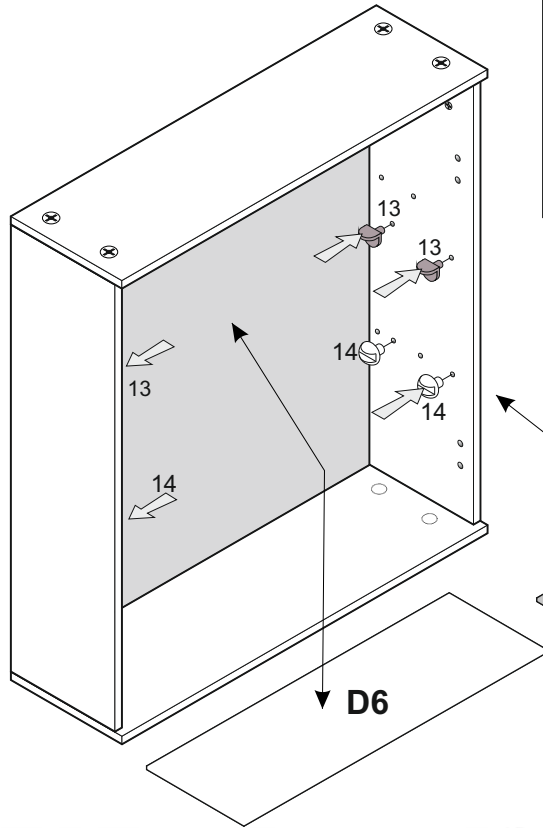
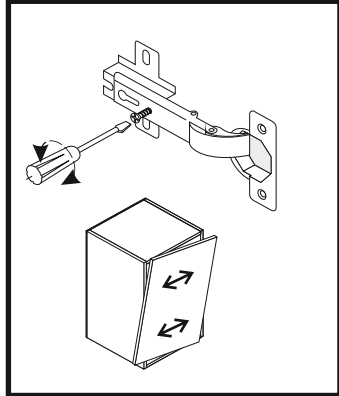
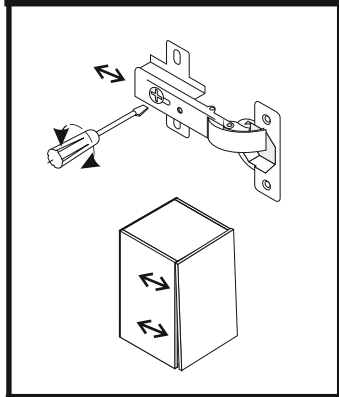
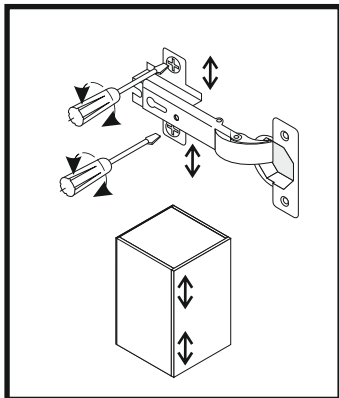
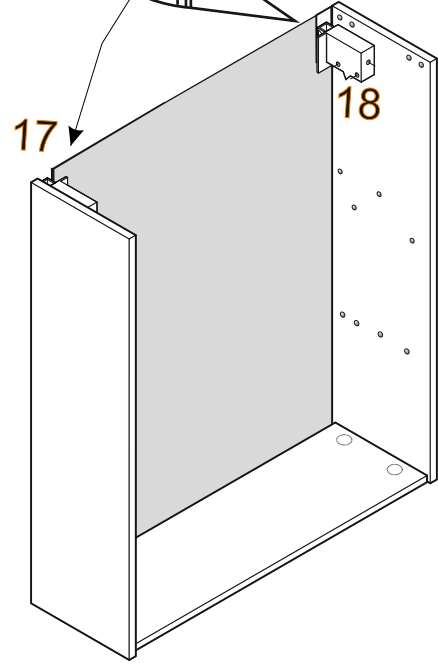
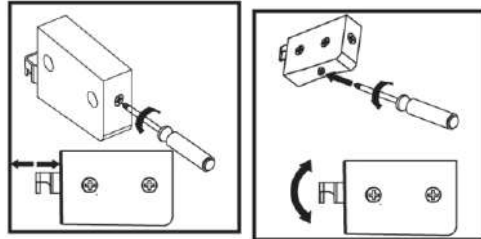
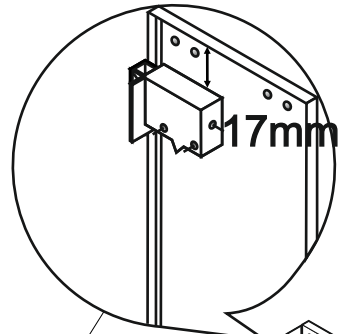
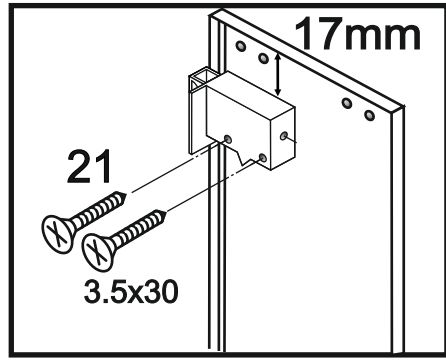
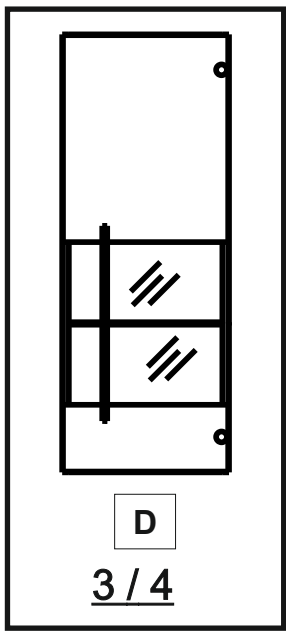


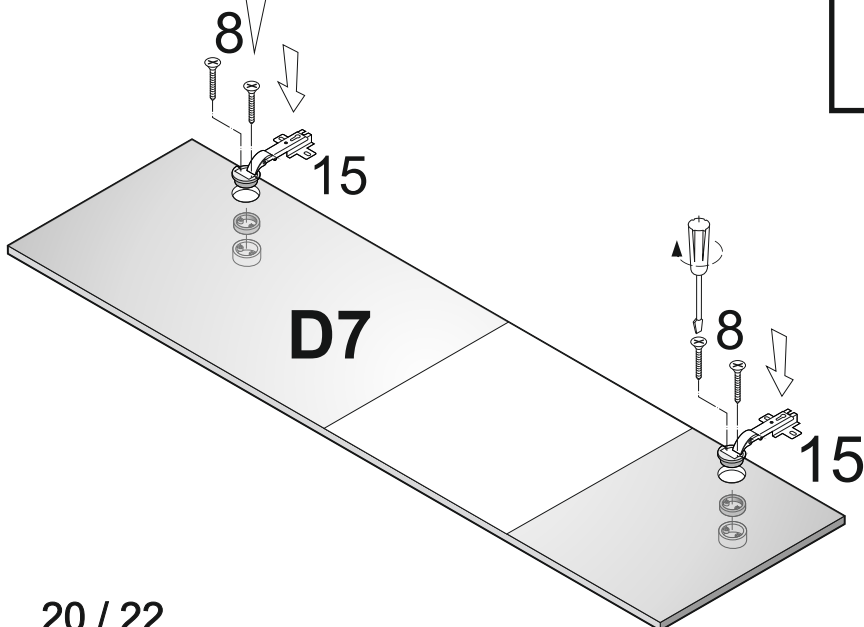
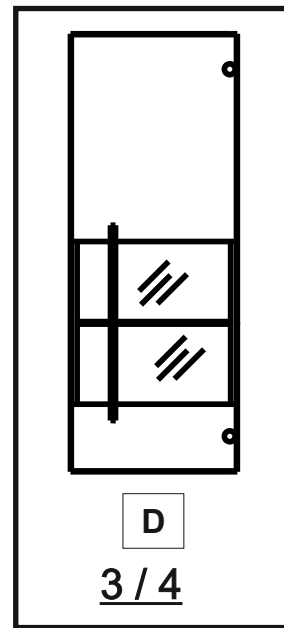
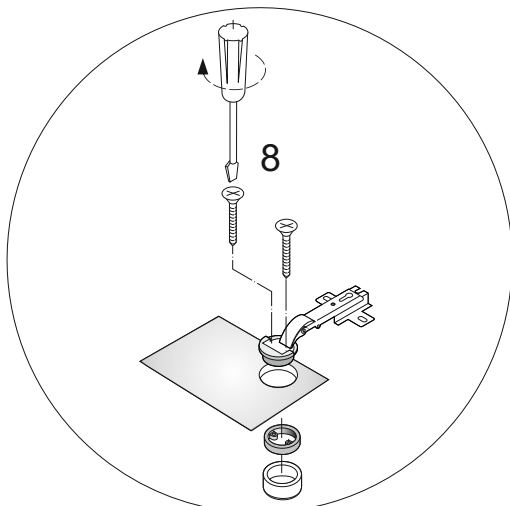
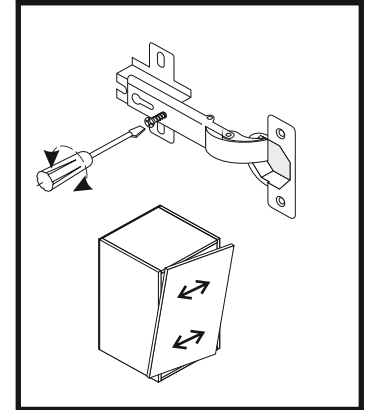
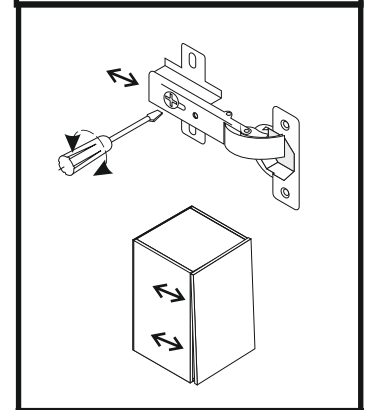
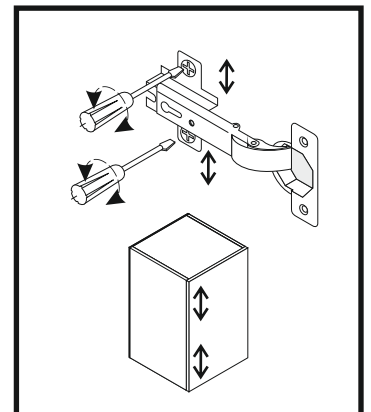
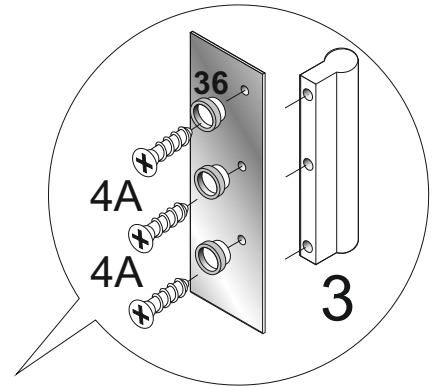
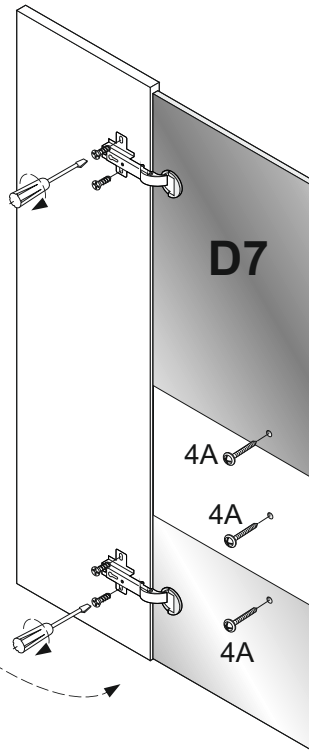
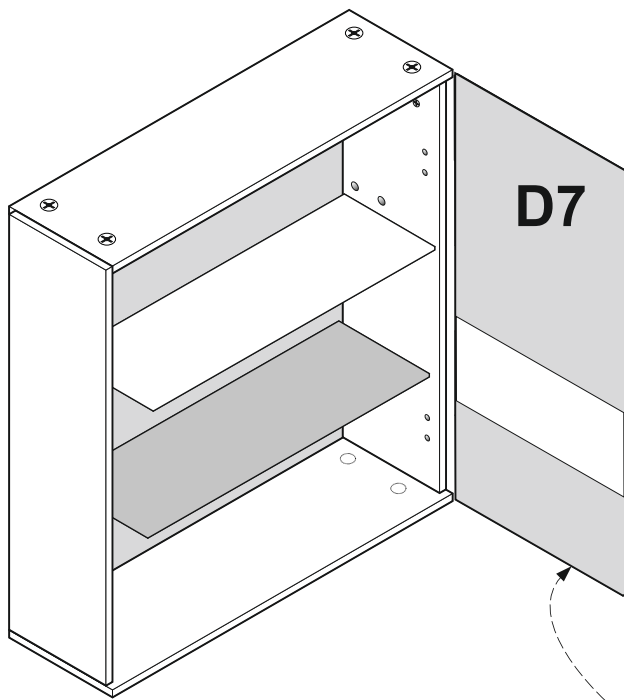


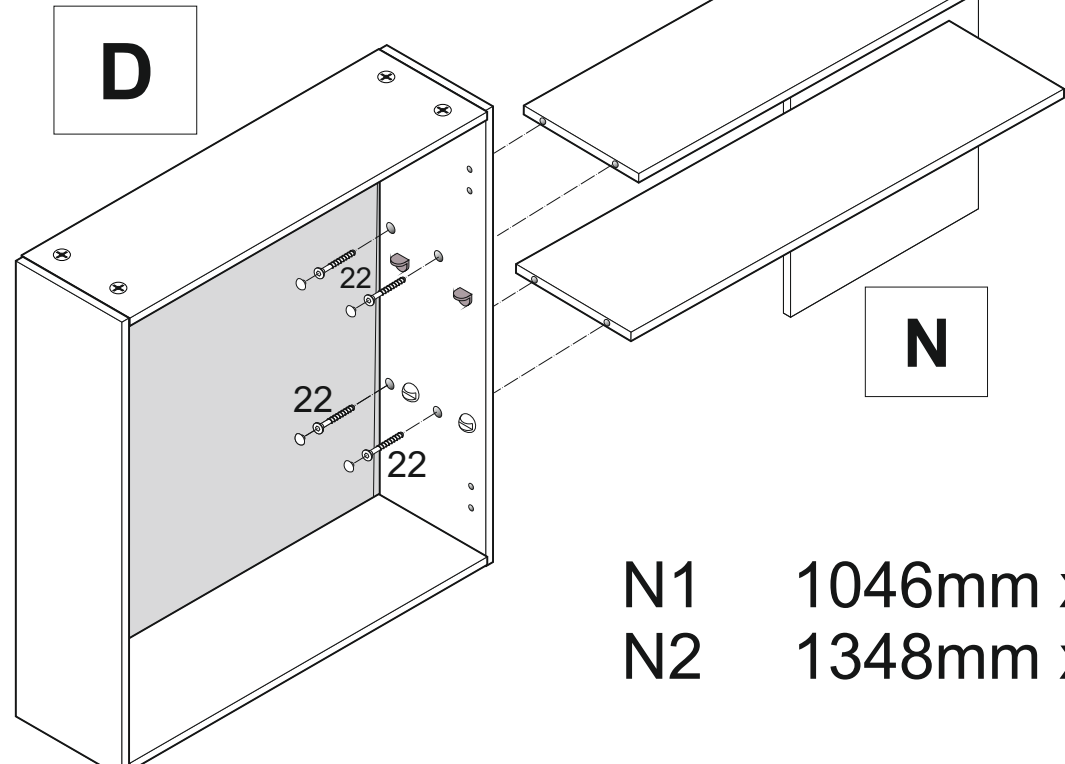
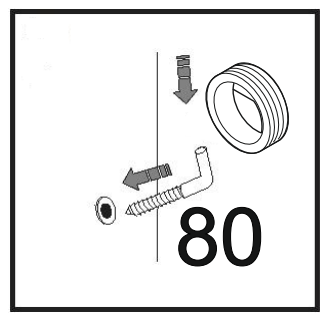
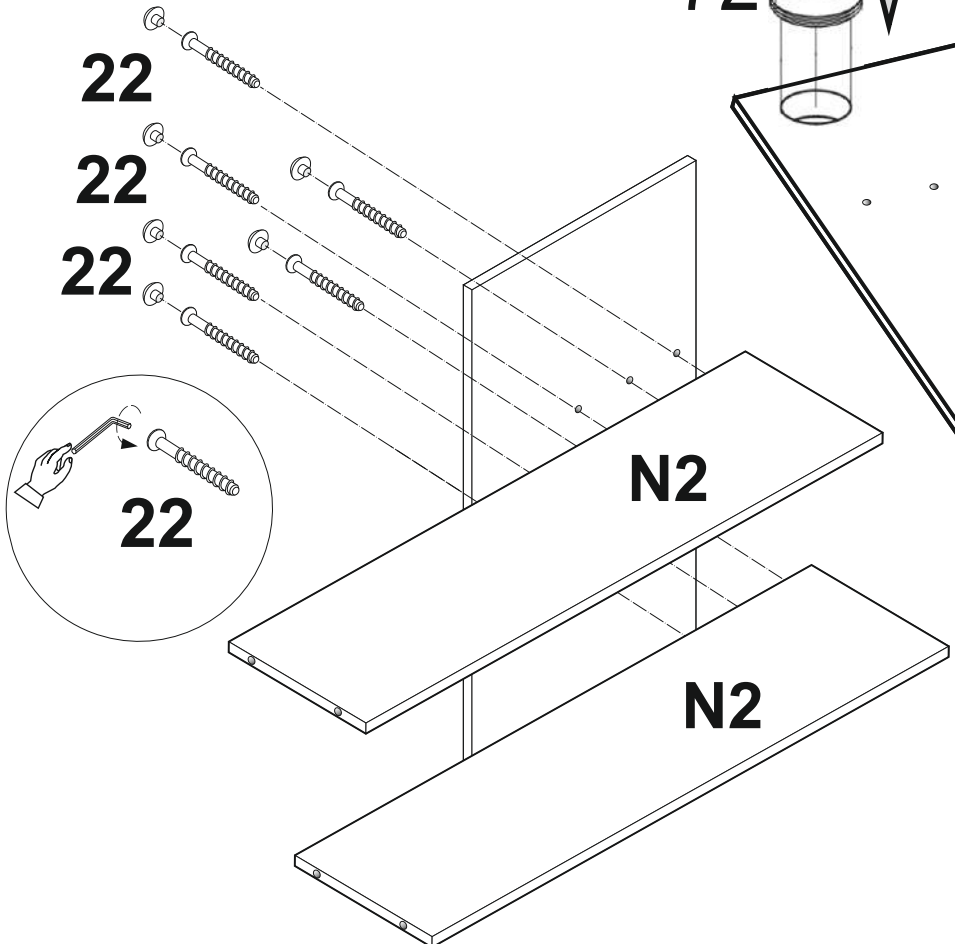
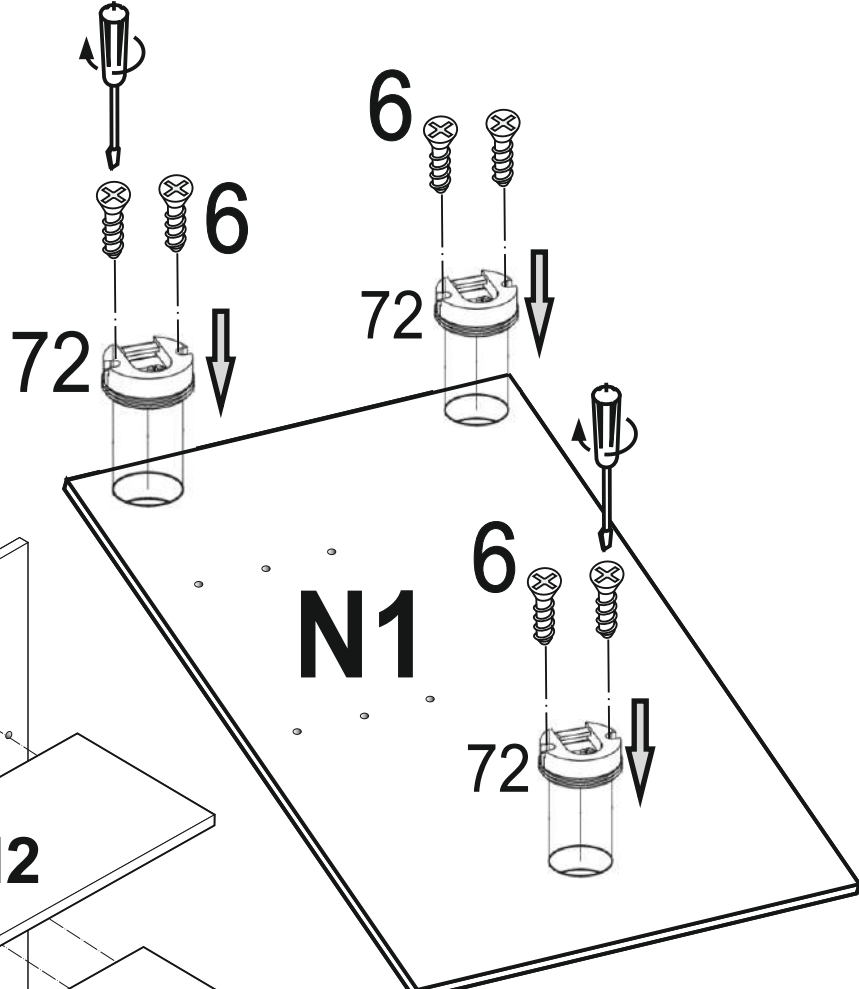
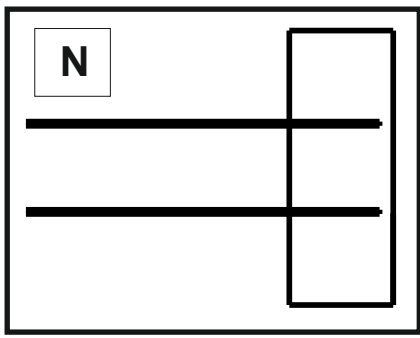
D1	367mm x 300mm
D3	1050mm x 314mm
D4	1050mm x 314mm
D5	1044mm x 378mm
D6	367mm x 290mm
D8	360mm x 280mm
D7	1046mm x 396mm



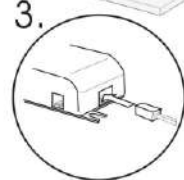
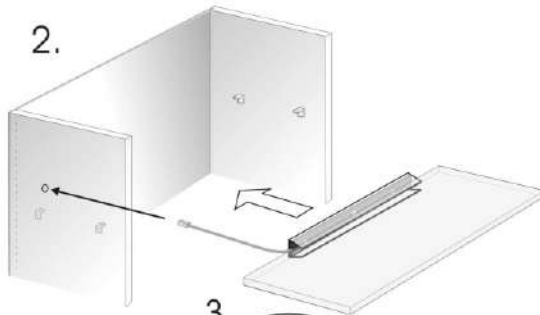
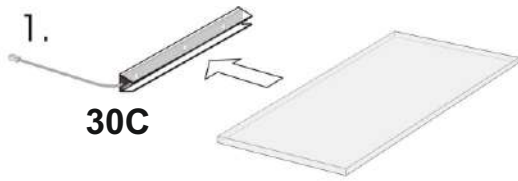
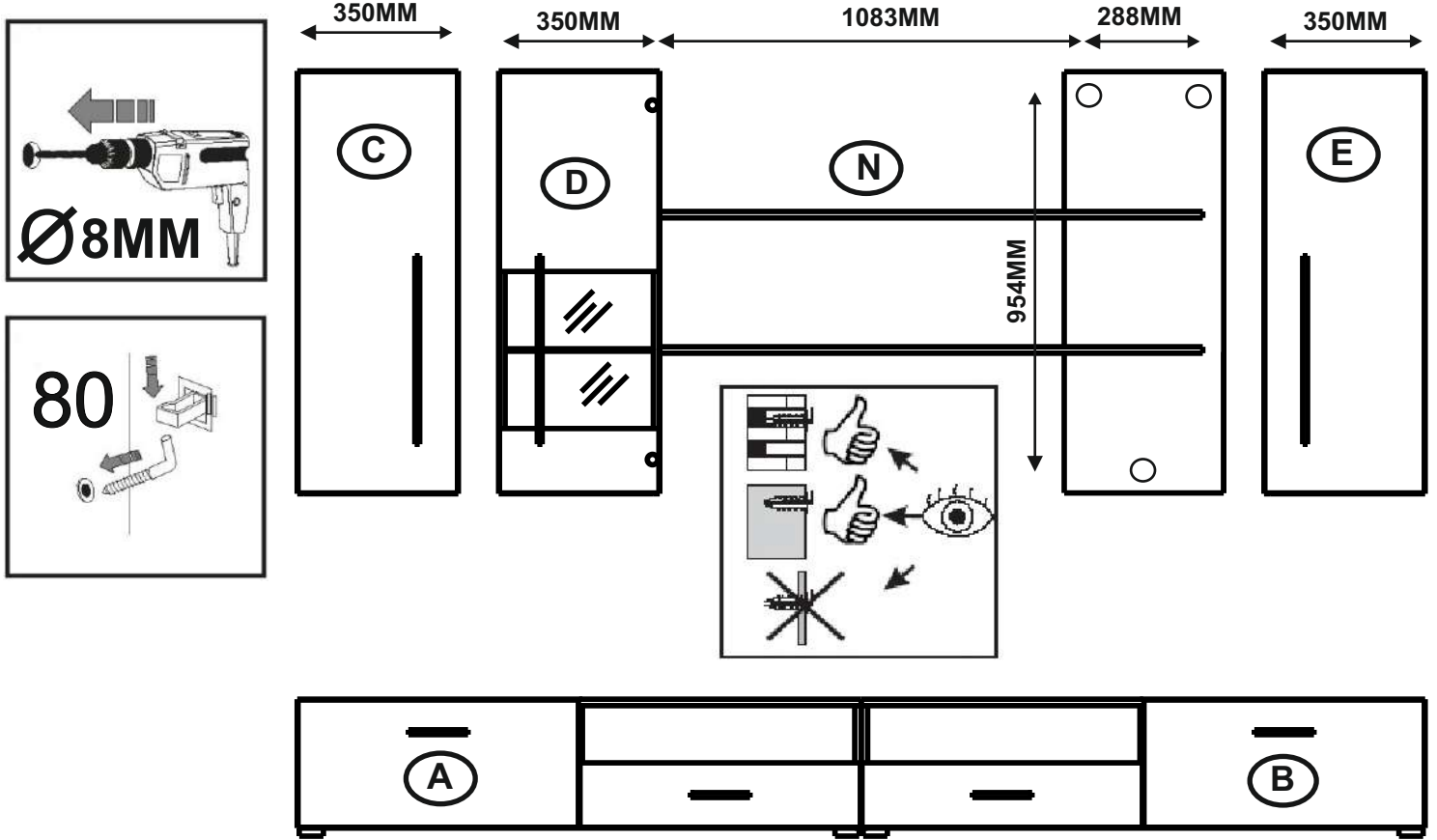








N1 1046mm x 396mm
N2 1348mm x 195mm



4.

